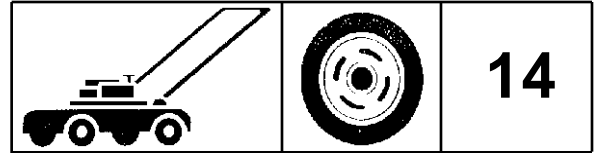


For Husqvarna Parts Call 606-678-9623 or 606-561-4983

 **Husqvarna**



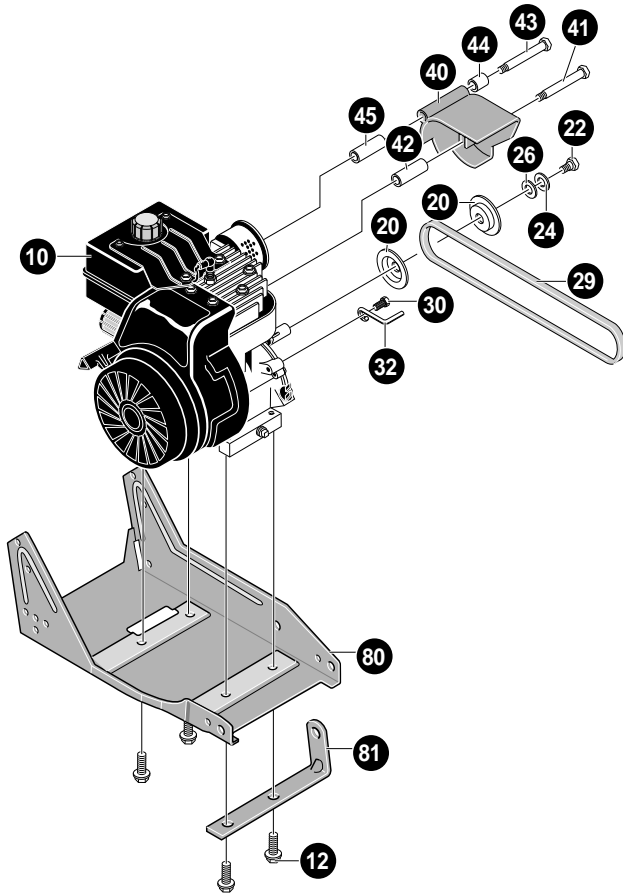
LE 389



1.1997
Spare Parts

For Husqvarna Parts Call 606-678-9623 or 606-561-4983

EDGER/TRIMMER PARTS LE389
ENGINE ASSEMBLY



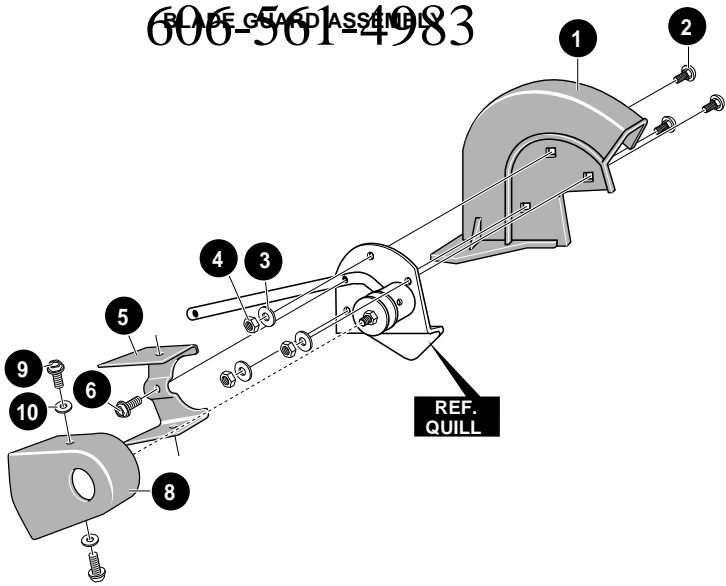
Note: Always use original equipment parts. Use of service/replacement parts other than original parts may void your warranty.

All unnumbered items are interchangeable with opposite side

REF. NO.	PART NO.	PART NAME
10	ENGINE	3.8HP(See Engine Manual)
12	601 00 21-93	Screw, 3/8-16 x 1.00
20	601 00 22-03	Pulley, Half V3L
22	601 00 13-27	Screw, 5/16-24x 1.00 HHC
24	601 00 00-23	Washer, SPTLK .328x.60x.09
26	601 00 05-47	Flatwasher .333x.87x.119
29	601 00 05-09	Belt, V 4L 32.60LG
30	601 00 19-65	Screw and Washer Assy
32	601 00 05-80	Belt Guide
40	601 00 22-04	Cover, Engine Pulley

REF. NO.	PART NO.	PART NAME
41	601 00 00-80	Screw, 5/16-24x3.00
42	601 00 00-80	Spacer, Sleeve .335x.431x2.50
43	601 00 22-06	Screw, 5/16-24x3.75
44	601 00 22-07	Spacer, .322ID .562 OD
45	601 00 22-05	Spacer, Sleeve .335x.431x2.50
80	601 00 22-08	Frame, Assy Edger
81	601 00 22-09	Strap
	601 00 22-32	Owner's Manual

BLADE GUARD ASSEMBLY

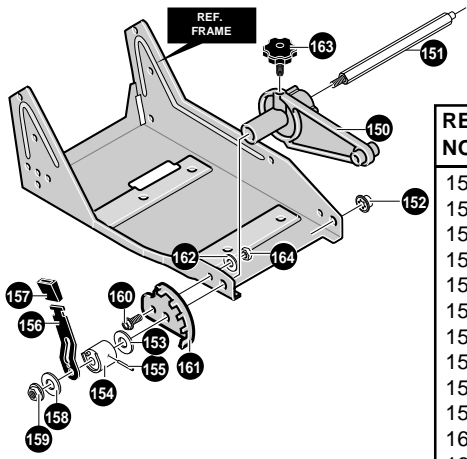


332247 D

REF. NO.	PART NO.	PART NAME
1	601 00 22-10	Blade Guard
2	601 00 07-86	Carr. Bolt 5/16-18x.63
3	601 00 00-19	Flatwasher .344x.69x.065
4	601 00 00-59	Nut, 5/16-18 Reghexctrk
5	601 00 22-11	Guide, Belt Front

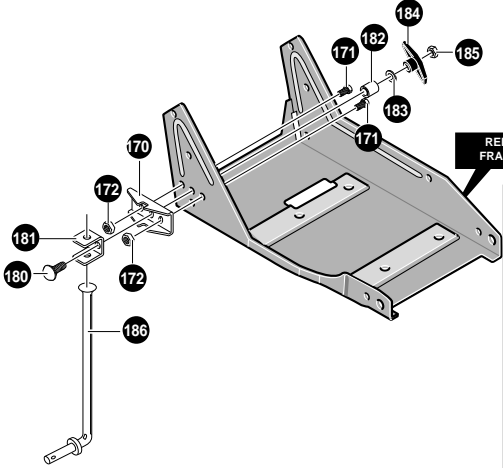
REF. NO.	PART NO.	PART NAME
6	601 00 21-95	Screw, 1/4-20x.50 Tap
8	601 00 19-78	Cover, Quill Pulley
9	601 00 22-12	Screw, 10-24x.50 Tap
10	601 00 22-13	Flatwasher .203x.56x.040

FRONT WHEEL BRACKET ASSEMBLY



REF. NO.	PART NO.	PART NAME
150	601 00 22-33	Arm, Front Wheel
151	601 00 22-34	Rod, Front Mount Curb Hopper
152	601 00 22-35	Pushnut, Washer
153	601 00 22-36	Washer, Plastic
154	601 00 22-37	Spacer, Height Adjust
155	601 00 22-38	Pin, Spring .187Diax1.50Lg
156	601 00 22-39	Lever, Height Adjust
157	601 00 22-40	Knob, Rectangle
158	601 00 00-94	Flatwasher .515x1.38x.119PL
159	601 00 22-41	Nut, 3/8-16 Hwdflk Mack
160	601 00 22-27	Screw, 5/16-18x.63
161	601 00 22-42	Plate, Height Adjust Quad
162	601 00 00-19	Flatwasher .344x.69x.065
163	601 00 22-43	Knob, W/5/16-18 Stud
164	601 00 00-59	Nut, 5/16-18 Reghexctrk

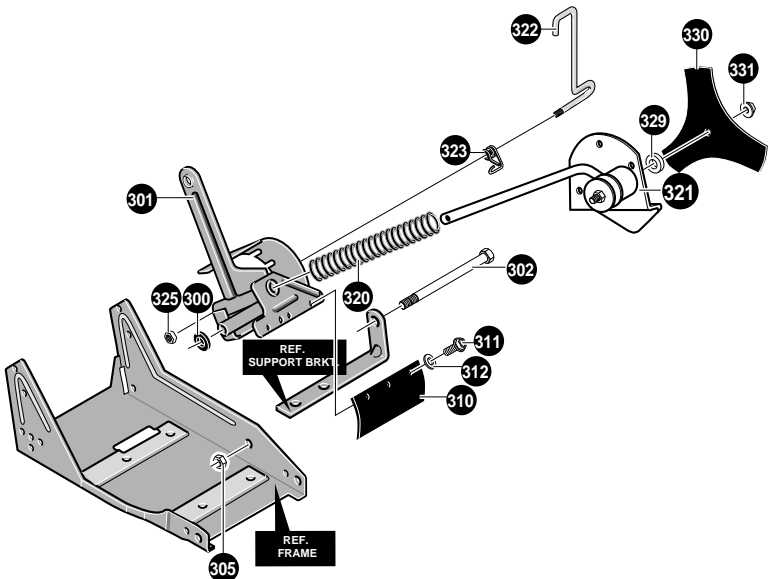
CURB-HOPPER ASSEMBLY



REF. NO.	PART NO.	PART NAME
170	601 00 06-47	Bracket, Curb Hop Mnt
171	601 00 00-73	Screw, 5/16-18x.75
172	601 00 00-59	Nut, 5/16-18 Reghexctrk
180	601 00 19-70	Carr. Bolt, 5/16-18x2.00
181	601 00 06-55	Clevis
182	601 00 19-71	Spacer, Slev .356x.63x1.01
183	601 00 00-19	Flatwasher .344x.69x.065
184	601 00 06-84	Knob, T
185	601 00 00-12	Nut, 5/16-18 Reghex
186	601 00 19-72	Rod, Wheel Support

323179D

BLADE ASSEMBLY

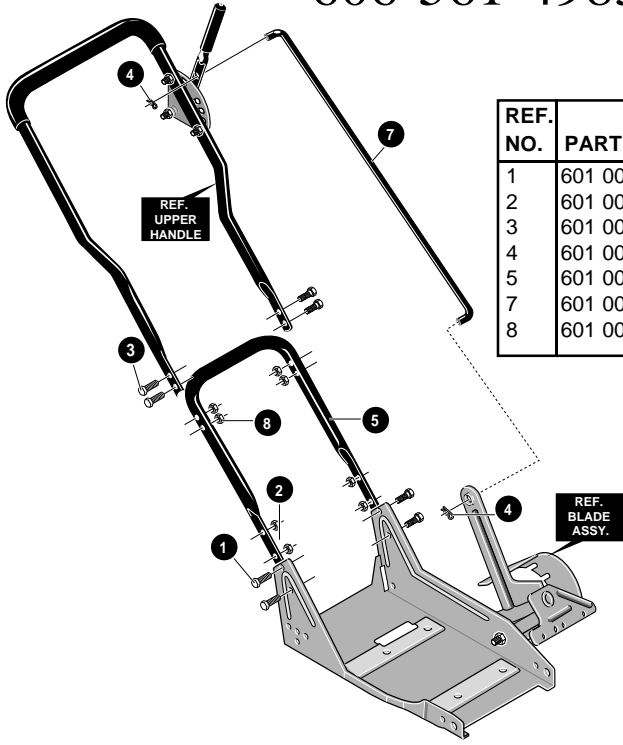


323129C

REF. NO.	PART NO.	PART NAME
300	601 00 00-21	Flatwasher, .531x1.06x.095
301	601 00 21-96	Quill Suppt. Assy.
302	601 00 22-16	Shoulder Bolt 3/8-16
305	601 00 00-60	Nut, 3/8-16 Reghexctrk
310	601 00 22-17	Deflector, Rubber
311	601 00 22-18	Screw, 10-16x.50 Tap
312	601 00 22-13	Flatwasher, .203x.56x.040
320	601 00 05-82	Compression Spring

REF. NO.	PART NO.	PART NAME
321	601 00 21-97	Quill Assembly, Lrg Suppt.
322	601 00 22-44	Index Lever
323	601 00 22-45	Torsion Spring
325	601 00 00-59	Nut, 5/16-18 Reghexctrk
329	601 00 00-94	Flatwasher, .515x1.38x.119
330	601 00 22-46	Blade Edger
331	601 00 05-52	Nut, 1/20 Wdff

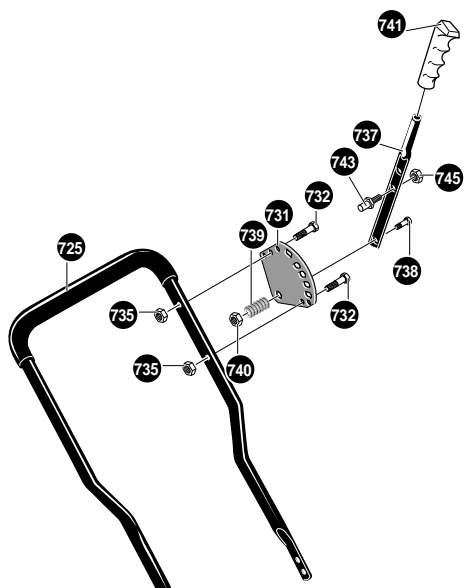
HANDLE ASSEMBLY



REF. NO.	PART NO.	PART NAME
1	601 00 22-27	Screw, 5/16-18x.63
2	601 00 00-59	Nut, 5/16-18 Reghexctrlk
3	601 00 12-94	Carr. Bolt, 5/16-18x1.63
4	601 00 05-23	Hair Pin .072Diax1.13Lg
5	601 00 22-28	Lower Handle
7	601 00 22-47	Control Rod
8	601 00 00-59	Nut, 5/16-18 Rehhexctrlk

332237C

UPPER HANDLE ASSEMBLY



REF. NO.	PART NO.	PART NAME
725	601 00 21-98	Upper Handle & Foam
731	601 00 22-22	Plate Selector
732	601 00 00-69	Screw, 1/4-20x1.25
735	601 00 00-62	Nut, 1/4-20 Reghexctrlk
737	601 00 22-23	Handle, Depth Adjust
738	601 00 19-84	Screw, 5/16-18x1.25
739	601 00 01-01	Spring
740	601 00 00-59	Nut, 5/16-18 Reghexctrlk
741	601 00 22-48	Grip, Hand
743	601 00 22-25	Stud
745	601 00 00-60	Nut, 3/8-16 Reghexctrlk

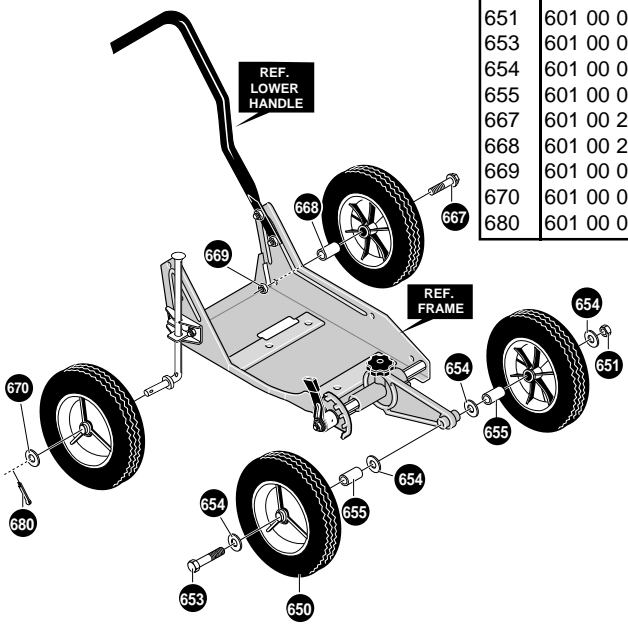
323136E

For Husqvarna Parts Call 606-678-9623 or 606-561-4983

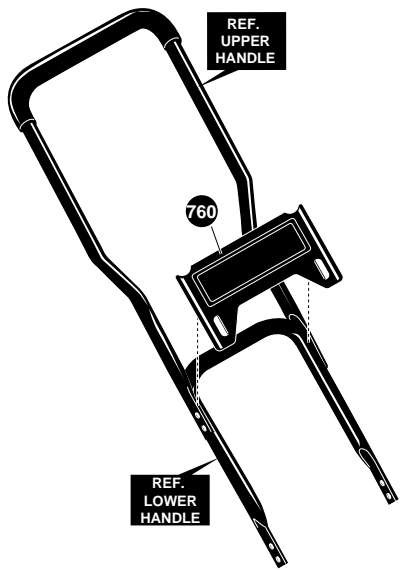
EDGER/PRIMER PARTS LE389
TIRE ASSEMBLY

REF. NO.	PART NO.	PART NAME
650	601 00 22-49	Tire & Rim w/Brg 8x1.75
651	601 00 08-67	Nut, 5/16-18 Wdfllk
653	601 00 00-86	Screw, 5/16-18x4.50
654	601 00 00-19	Flatwasher, .344x.69x.065
655	601 00 05-87	Spacer, Slev .328x.495x1.39
667	601 00 22-50	Shoulder Bolt, 3/8-16
668	601 00 22-51	Spacer, Slev .390x.70x.70
669	601 00 05-42	Nut, 3/8-16 Whiz-lock
670	601 00 01-09	Flatwasher .504x.75x.059
680	601 00 00-25	Cotter Pin .090Diax.75Lg

332244B



HANDLE PANEL ASSEMBLY



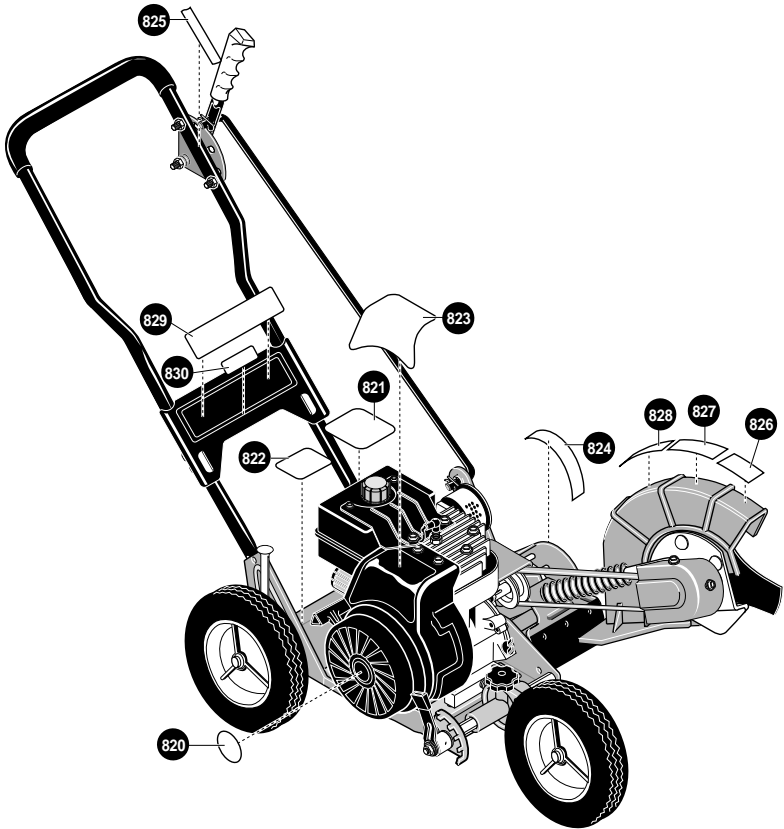
REF. NO.	PART NO.	PART NAME
760	601 00 22-26	Handle Panel Assembly

332228B

For Husqvarna Parts Call 606-678-9623 or 606-561-4983

EDGER/TRIMMER PARTS LE389

DECALS



REF. NO.	PART NO.	PART NAME
820	601 00 22-00	Decal, Recoil Cover
821	601 00 18-77	Decal, Information Danger
822		Reference Only
823	601 00 22-52	Decal, Engine
824	601 00 22-29	Decal, Angle Indicator
825	601 00 22-30	Decal, Quadrant Selector
826	601 00 22-31	Decal, Blade Guard
829	601 00 20-96	Decal, Panel
830	601 00 22-53	Decal, Husq. LE389

332240D