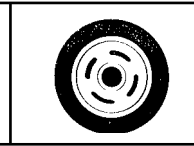
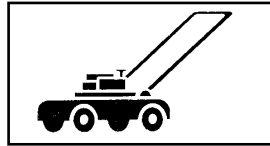
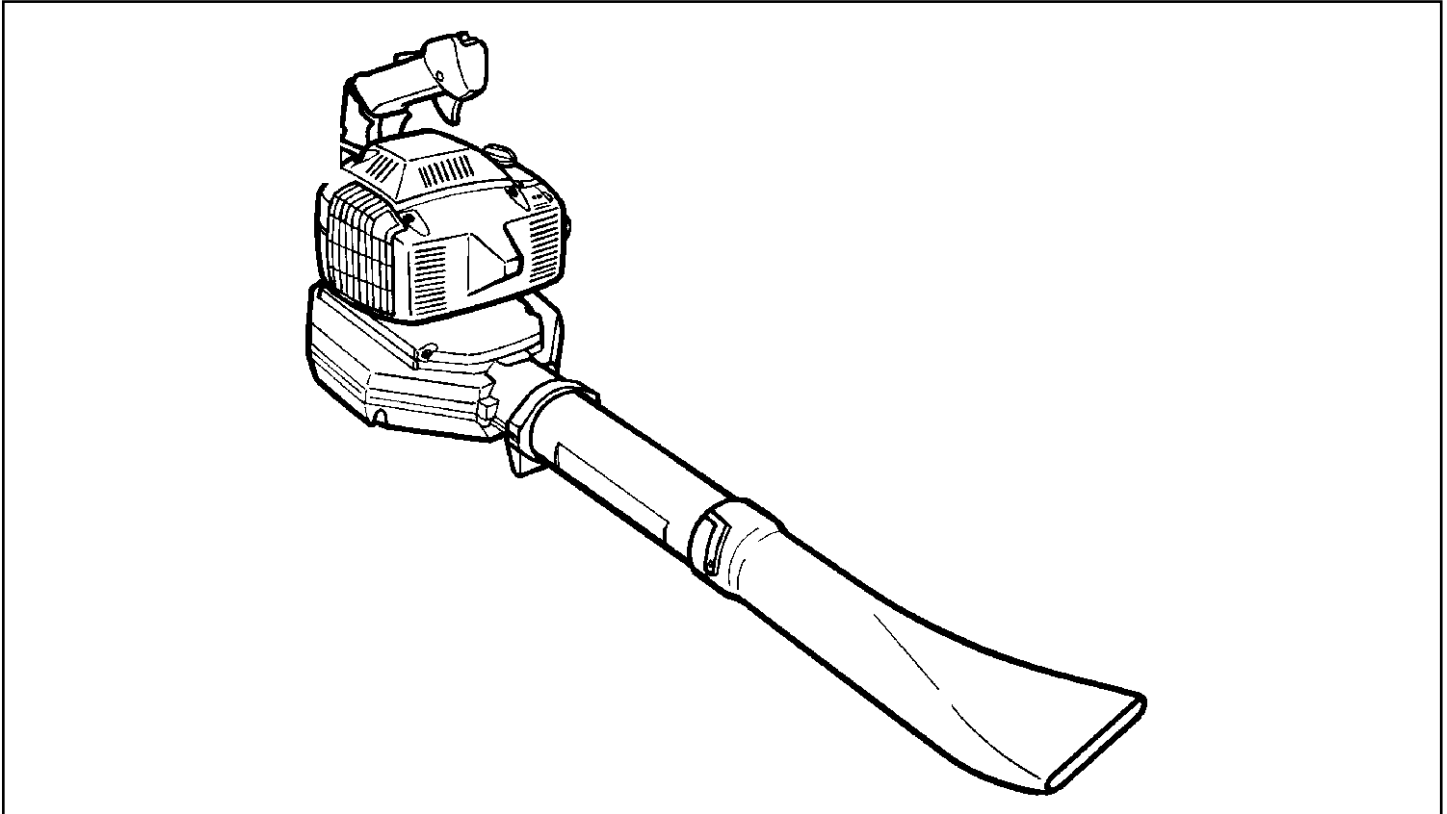


For Husqvarna Parts Call 606-678-9623 or 606-561-4983

 **Husqvarna**



# 225HBV

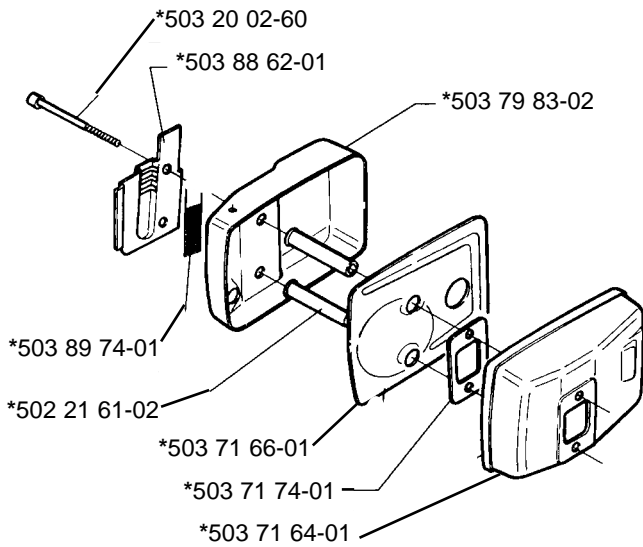


**A. 1996**  
**Spare parts**

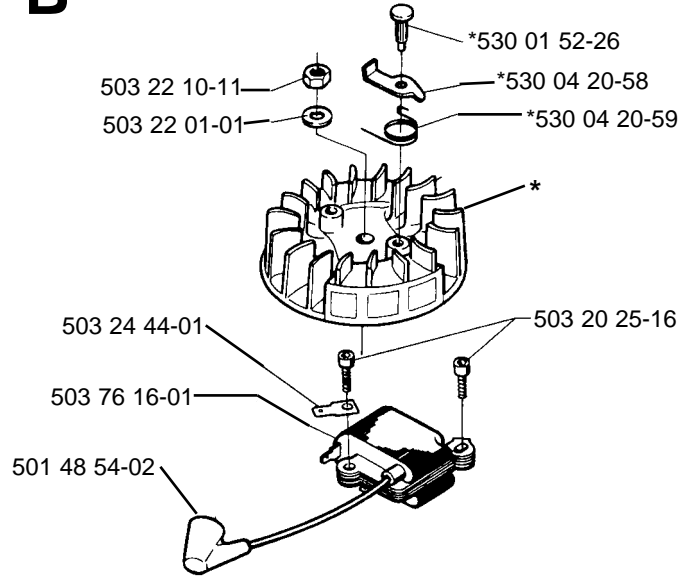
**NOTE!**

This Illustrated Parts List was produced in USA,  
09-1996 and contains some items not  
listed in other manuals.

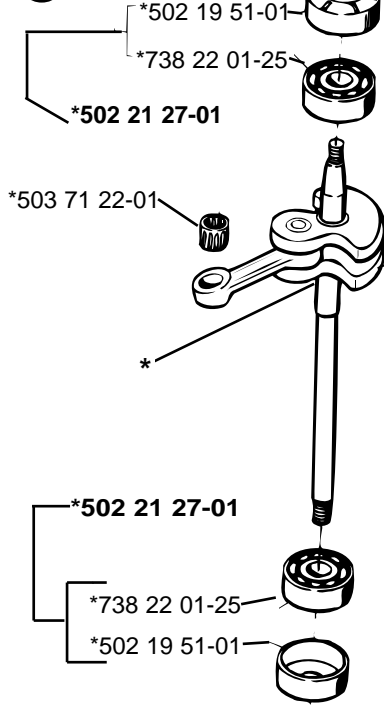
**A** \*compl 503 71 73-05 (FF)



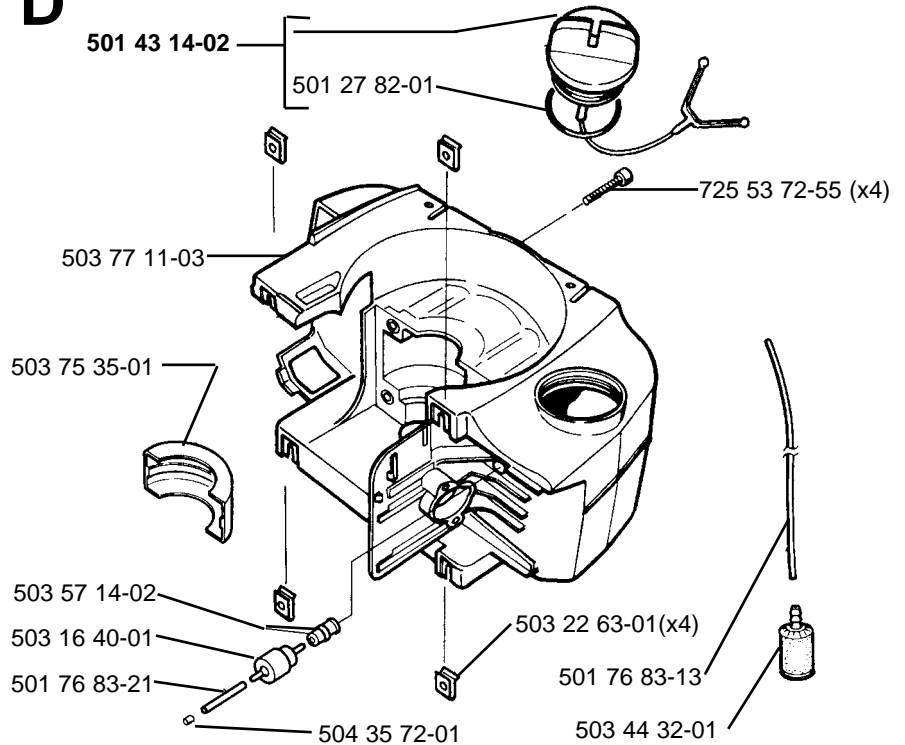
**B** \*compl 502 19 59-01



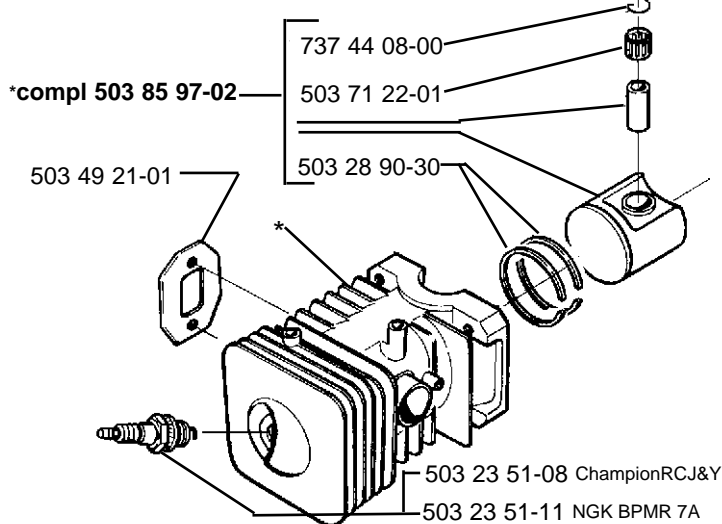
**C** \*compl 503 82 87-01



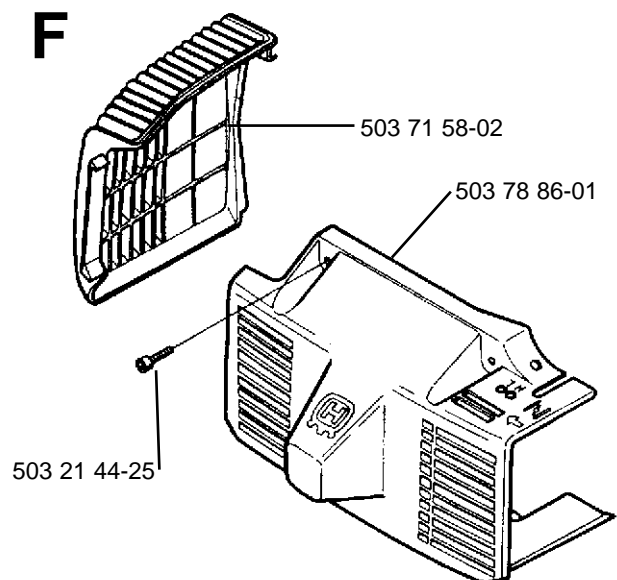
**D**

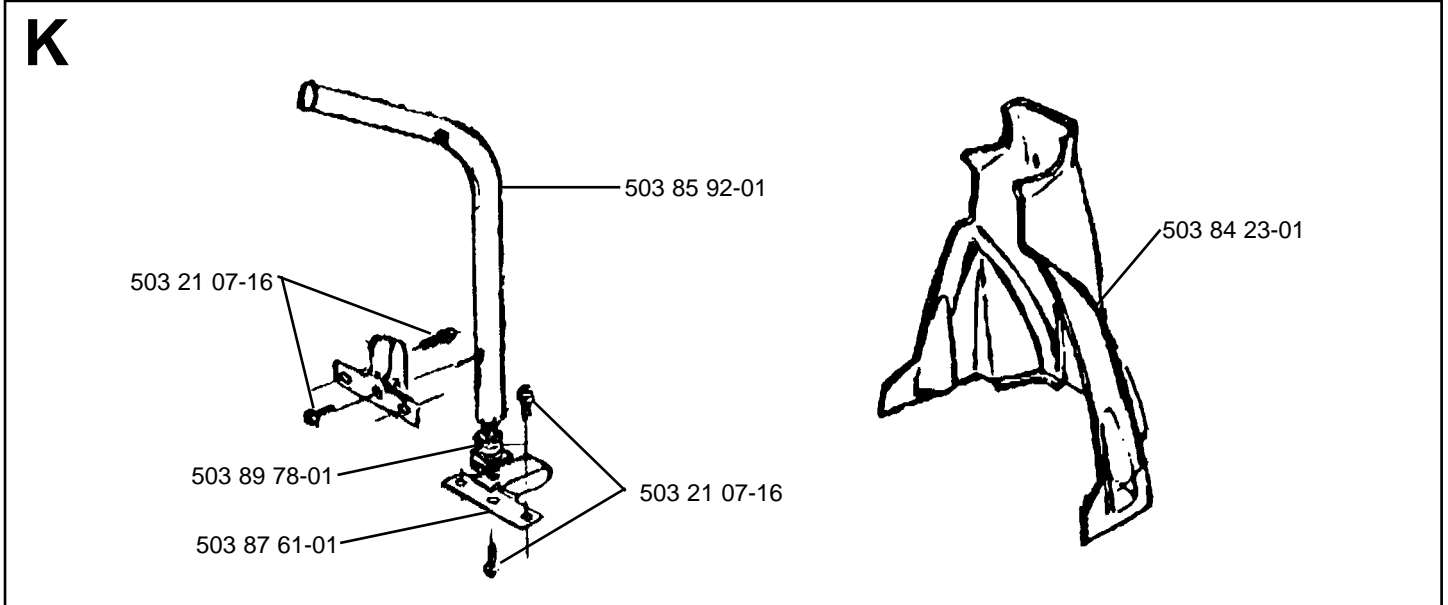
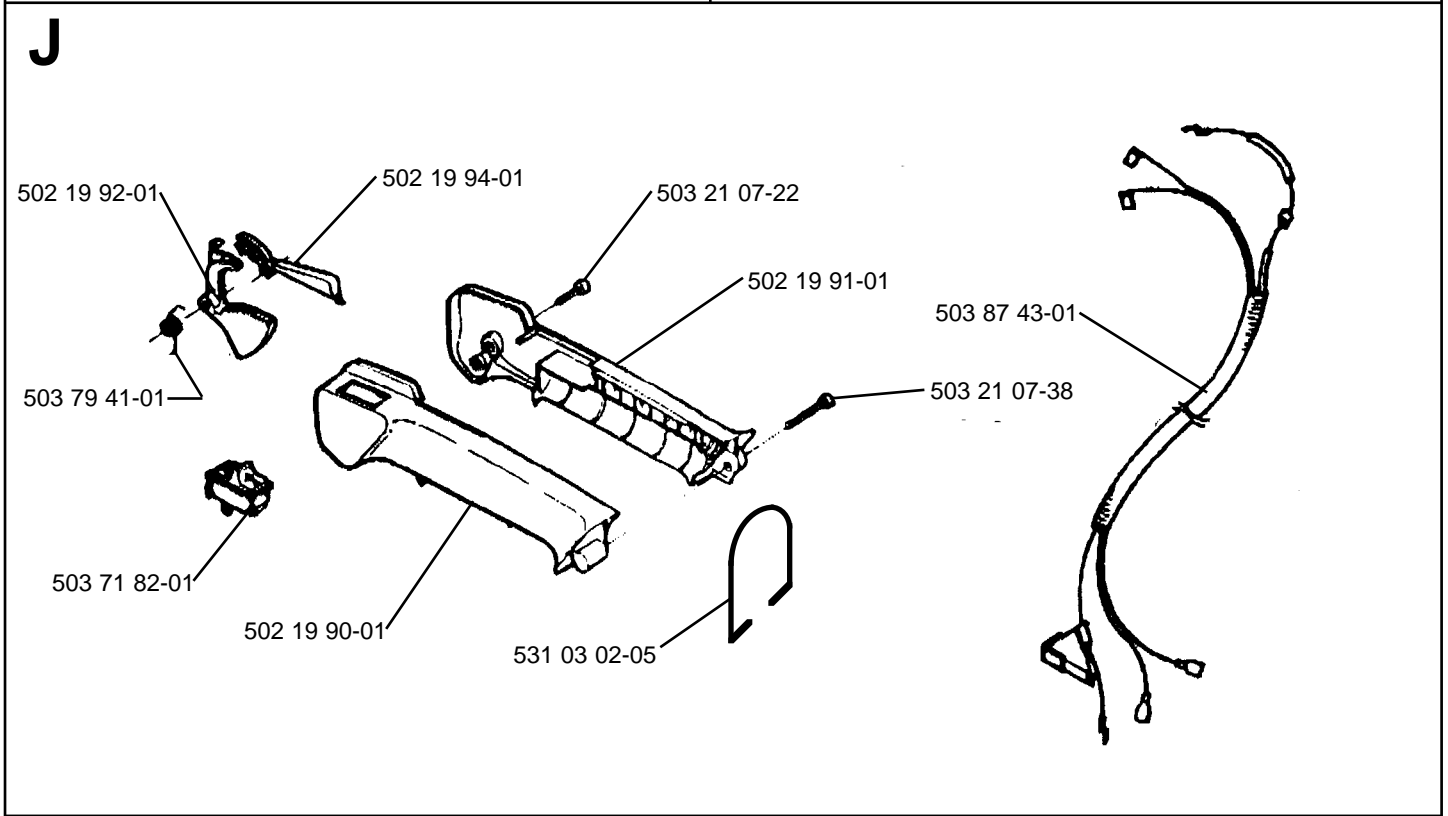
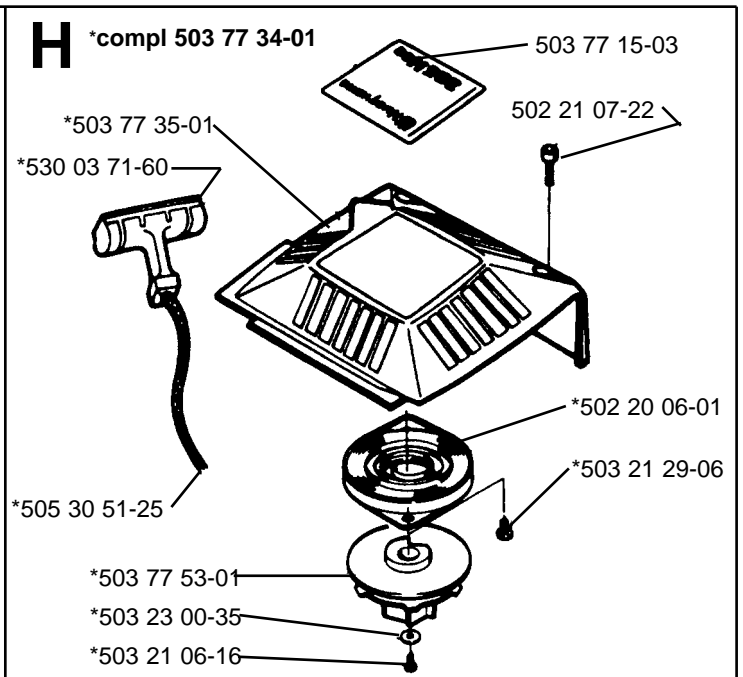
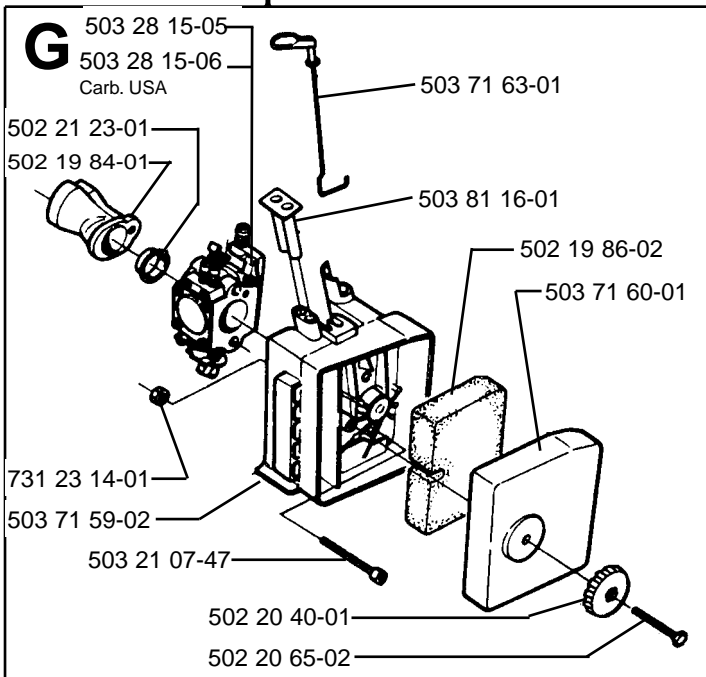


**E** \*compl 503 89 94-01

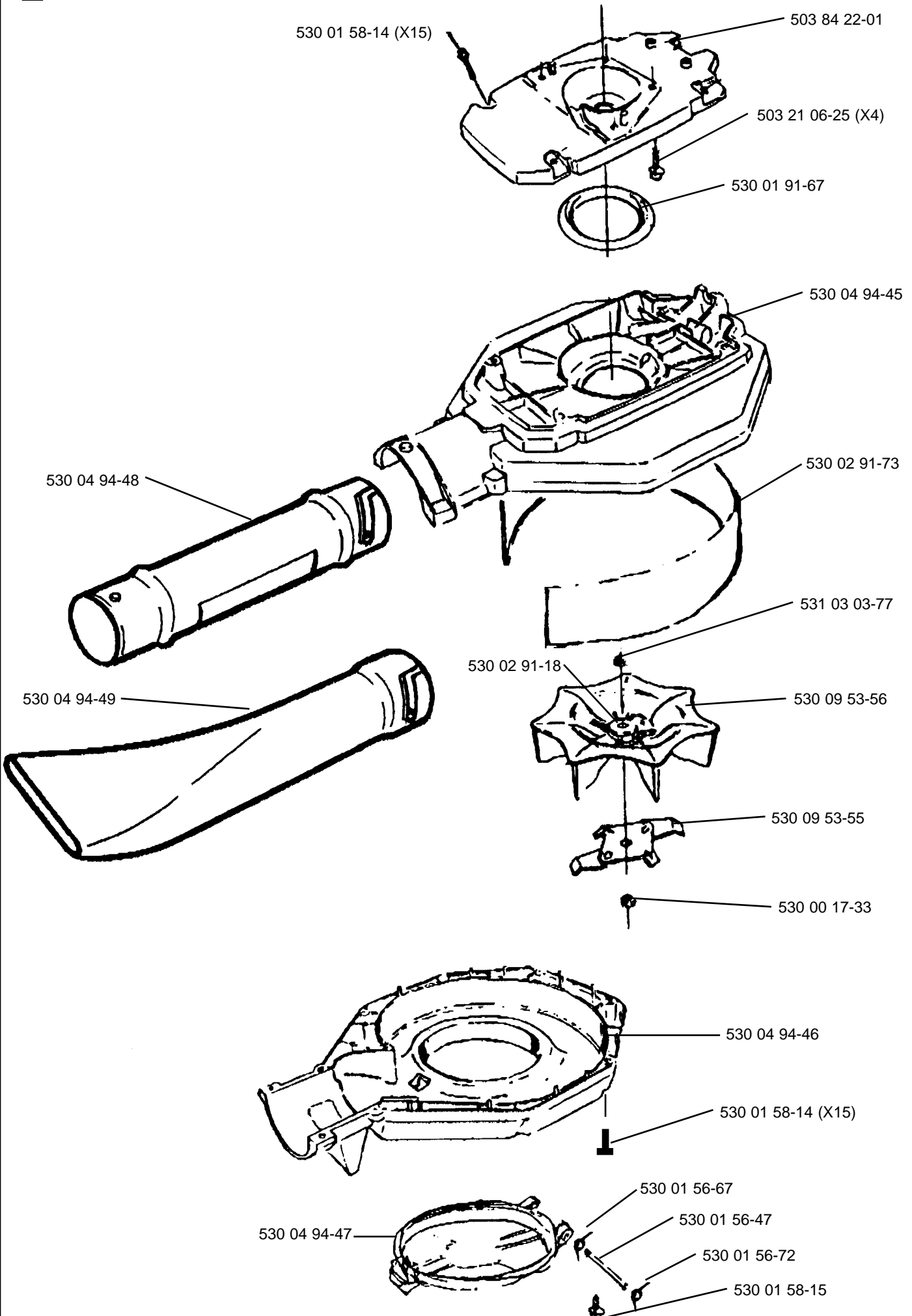


**F**





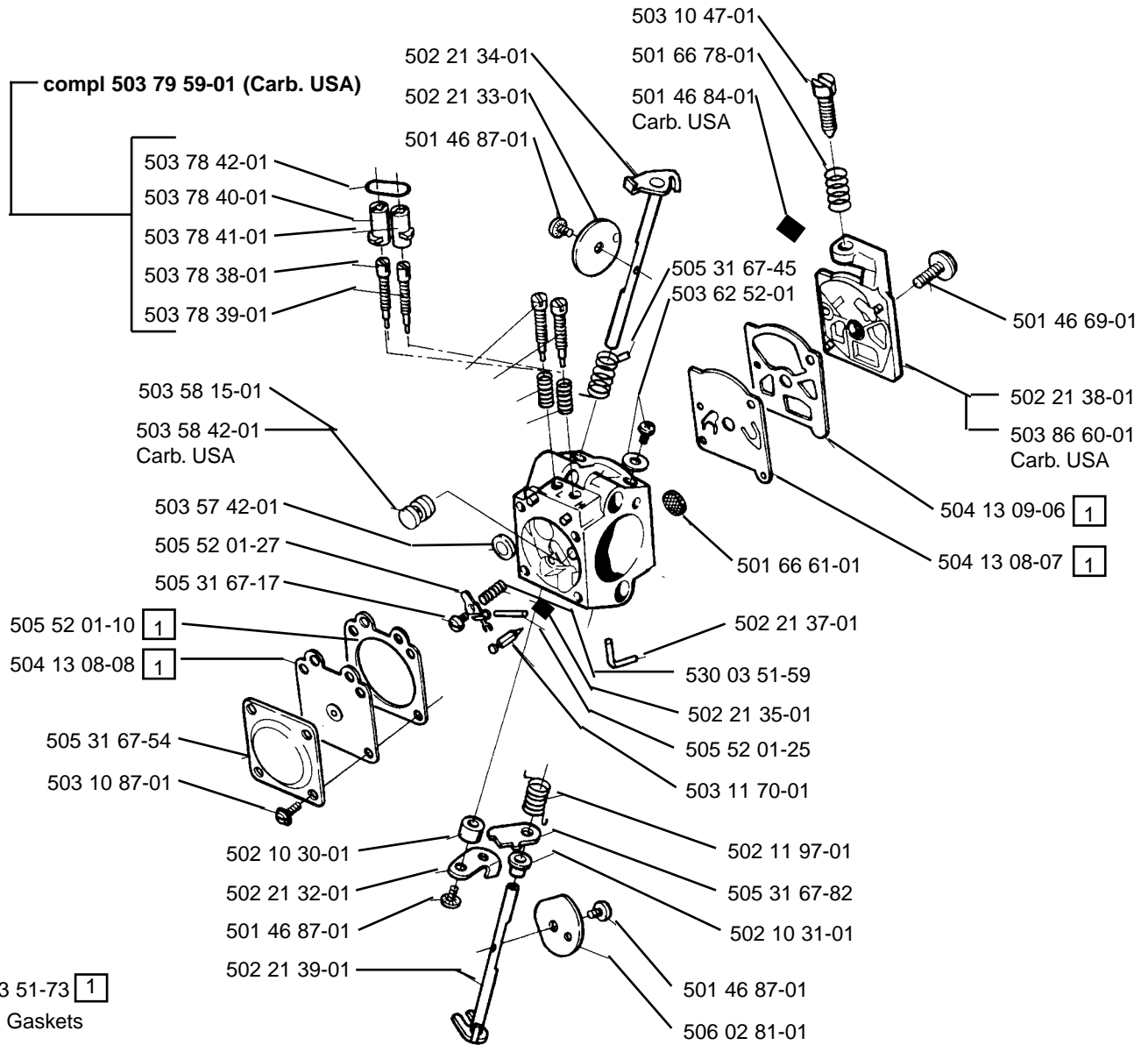
L



**M**

compl 503 28 15-05 Walbro WT 235

compl 503 28 15-06 Walbro WT 270 (Carb. USA)



**N**

\*compl 531 03 03-90

\*\*compl 952 70 35-30  
**Gutter Attachment Kit**

