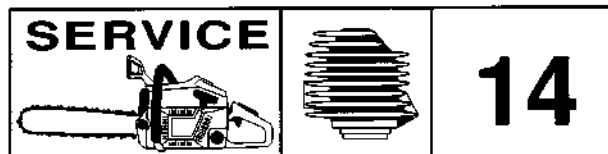
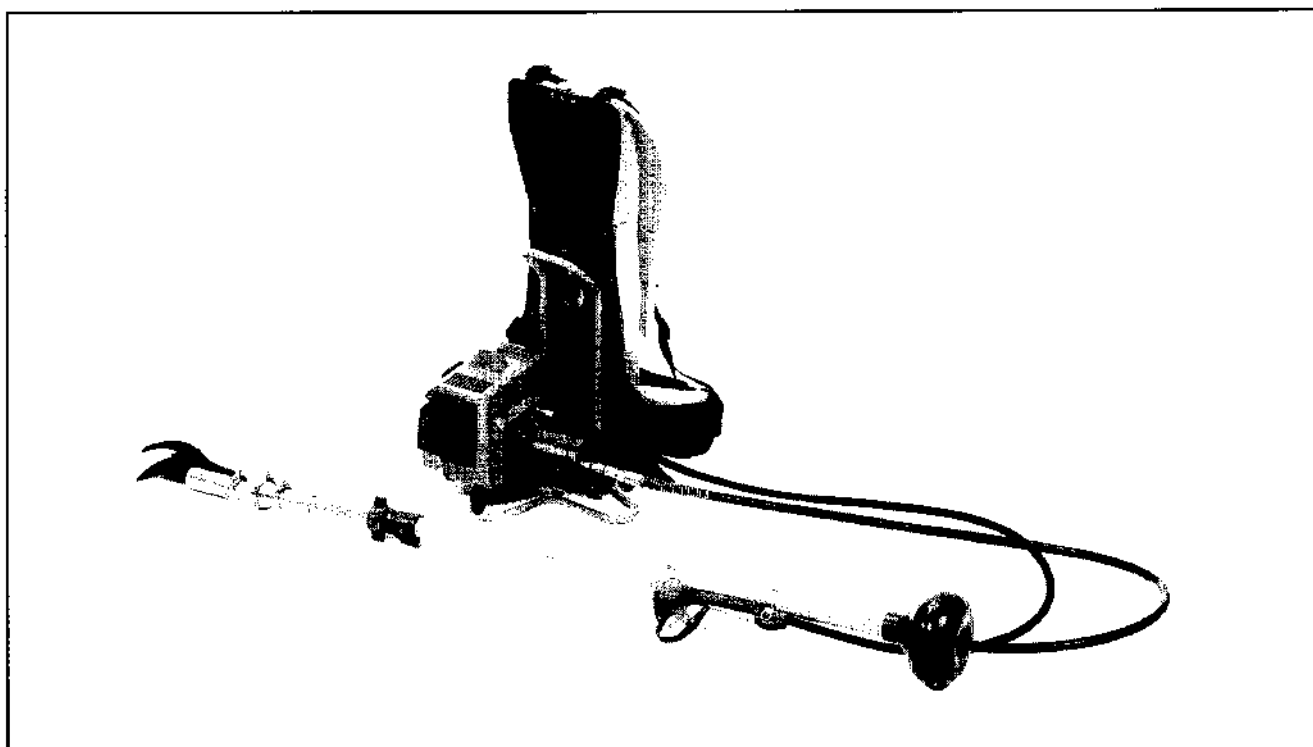


 **Husqvarna**



235 P



1.1995

Spare parts

Ersatzteile

Pièces détachées

Reserve onderdelen

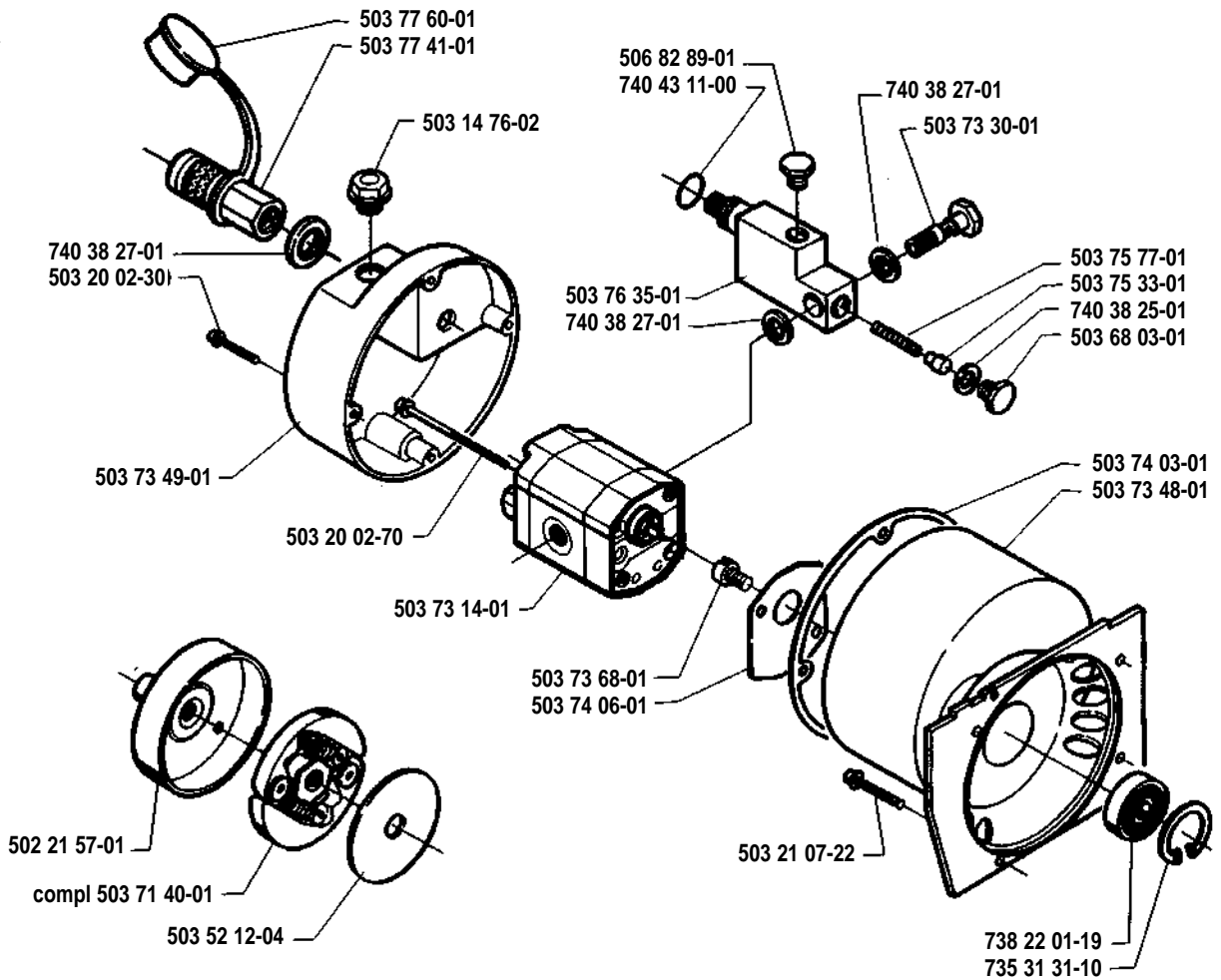
Repuestos

Reservdelar

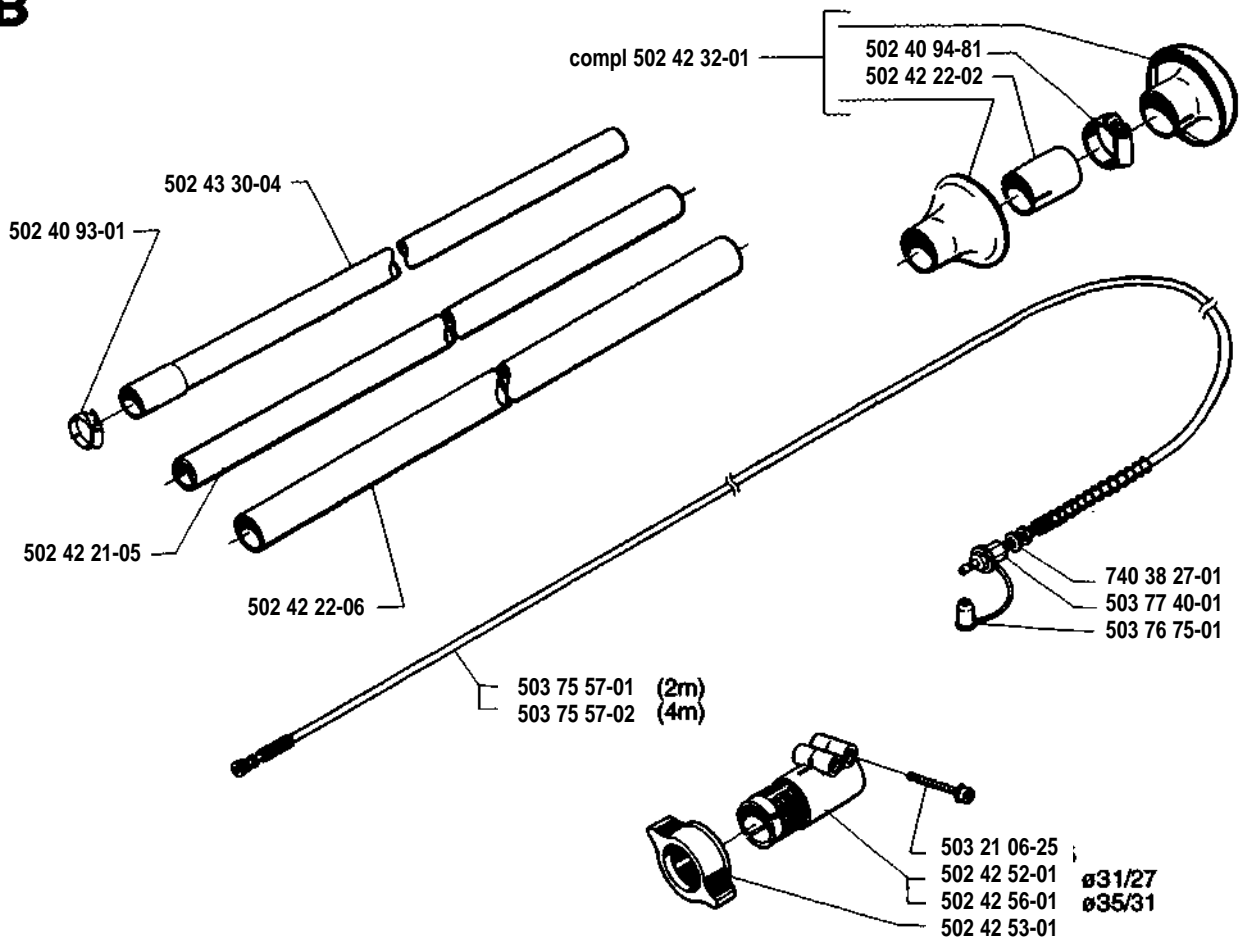
MODEL NUMBER 235P

PART NUMBER	SQUARE	NOTE	PART NUMBER	SQUARE	NOTE	PART NUMBER	SQUARE	NOTE	PART NUMBER	SQUARE	NOTE
501 46 69-01	N		502 42 56-01	B		503 76 35-01	A	N			
501 46 87-01	N		503 09 83-02	F		503 76 75-01	B	N			
501 48 54-02	H		503 10 47-01	N		503 76 84-01	Q	N			
501 66 61-01	N		503 10 87-01	N		503 76 86-01	Q	N			
501 66 78-01	N		503 11 70-01	N		503 77 01-01	F	N			
501 87 49-01	Q		503 14 76-02	A	N	503 77 40-01	B	N			
502 08 83-02	L		503 20 02-12	L	N	503 77 41-01	A	N			
502 10 30-01	N		503 20 02-16	R		503 77 60-01	A	N			
502 10 31-01	N		503 20 02-20	F		503 78 33-01	Q				
502 11 97-01	N		503 20 02-25	PQ		503 78 37-01	N	N			
502 14 44-01	F		503 20 02-30	A	N	503 78 38-01	N	N			
502 18 95-01	M		503 20 02-65	E		503 78 39-01	N	N			
502 19 59-01	H		503 20 02-70	A	N	503 78 40-01	N	N			
502 19 61-02	E	N	503 20 25-16	H		503 78 41-01	N	N			
502 19 62-01	E		503 21 06-16	M		503 78 42-01	N	N			
502 19 84-01	K		503 21 06-25	B		504 13 08-08	N				
502 19 85-01	K		503 21 07-22	AM		504 13 09-06	N				
502 19 86-02	K		503 21 07-47	K		504 21 00-49	N				
502 19 88-01	C		503 21 29-06	M		504 21 00-50	N				
502 19 89-01	M		503 21 44-25	C		505 30 51-25	M				
502 19 98-01	E		503 22 10-11	H		505 31 67-17	N				
502 19 99-01	E		503 22 63-01	L		505 31 67-45	N				
502 20 00-01	E		503 23 00-35	M		505 31 67-54	N				
502 20 06-01	M		503 23 01-01	H		505 31 67-82	N				
502 20 11-01	K		503 23 51-08	D		505 52 01-10	N				
502 20 12-01	C		503 28 15-05	KN		505 52 01-25	N				
502 20 22-01	K		503 28 15-06	KN	N	505 52 01-27	N				
502 20 40-01	K		503 41 41-01	D		506 02 81-01	N				
502 20 65-02	K		503 52 12-04	A		506 82 89-01	A	N			
502 20 77-01	E		503 57 42-01	N		530 01 41-99	L				
502 20 88-01	D		503 61 23-01	N		530 01 52-26	H				
502 20 89-01	E		503 61 24-01	N		530 02 98-05	D				
502 21 06-01	L		503 62 52-01	N		530 03 51-39	N				
502 21 08-01	M		503 67 26-01	PQ	N	530 03 51-73	N				
502 21 10-02	L		503 68 03-01	A	N	530 03 71-60	M				
502 21 23-01	K		503 68 64-02	D		530 03 91-45	H				
502 21 25-12	M	N	503 69 46-01	D		530 04 20-58	H				
502 21 26-12	C	N	503 71 40-01	A		530 04 20-59	H				
502 21 27-01	G		503 73 14-01	A	N	721 43 37-00	P	N			
502 21 28-01	G		503 73 30-01	A	N	723 24 51-85	Q	N			
502 21 32-01	N		503 73 32-02	J	N	725 53 27-55	P				
502 21 33-01	N		503 73 48-01	A	N	725 53 29-55	PQ				
502 21 34-01	N		503 73 49-01	A	N	725 53 68-55	PQ				
502 21 35-01	N		503 73 68-01	A	N	725 53 87-55	L	N			
502 21 36-01	N		503 73 84-01	R	N	725 54 45-55	L	N			
502 21 37-01	N		503 73 86-01	R	N	729 52 26-71	F				
502 21 38-01	N		503 73 88-01	L	N	729 52 30-71	F				
502 21 39-01	N		503 73 98-01	L	N	731 23 14-01	K				
502 21 57-01	A		503 74 03-01	A	N	731 43 18-01	Q				
502 21 61-01	E		503 74 06-01	A	N	732 21 14-01	F				
502 25 40-01	F		503 74 56-01	PQ	N	734 11 36-41	F				
502 40 48-01	J	N	503 74 57-01	PQ	N	735 31 08-20	Q				
502 40 49-01	J	N	503 74 58-01	P	N	735 31 31-10	A	N			
502 40 71-02	PQ	N	503 74 59-01	P	N	737 44 10-00	D				
502 40 93-01	BJ	N	503 74 60-01	P	N	738 22 01-19	A	N			
502 40 94-81	B		503 74 63-01	P	N	740 38 25-01	A	N			
502 41 01-04	F	N	503 74 84-01	PQ	N	740 38 27-01	AB	N			
502 41 02-04	F	N	503 75 03-01	PQ	N	740 43 11-00	A	N			
502 41 03-02	F		503 75 33-01	A	N						
502 41 04-01	F		503 75 57-01	B	N						
502 41 04-04	F		503 75 57-02	B	N						
502 41 05-01	F		503 75 62-01	R							
502 41 06-01	F		503 75 63-01	R							
502 42 21-05	B		503 75 76-01	L	N						
502 42 22-02	B		503 75 77-01	A	N						
502 42 22-06	B		503 76 00-01	Q	N						
502 42 30-04	B		503 76 01-01	Q	N						
502 42 32-01	B		503 76 02-01	Q	N						
502 42 52-01	B		503 76 21-01	F	N						
502 42 53-01	B		503 76 31-01	F	N						

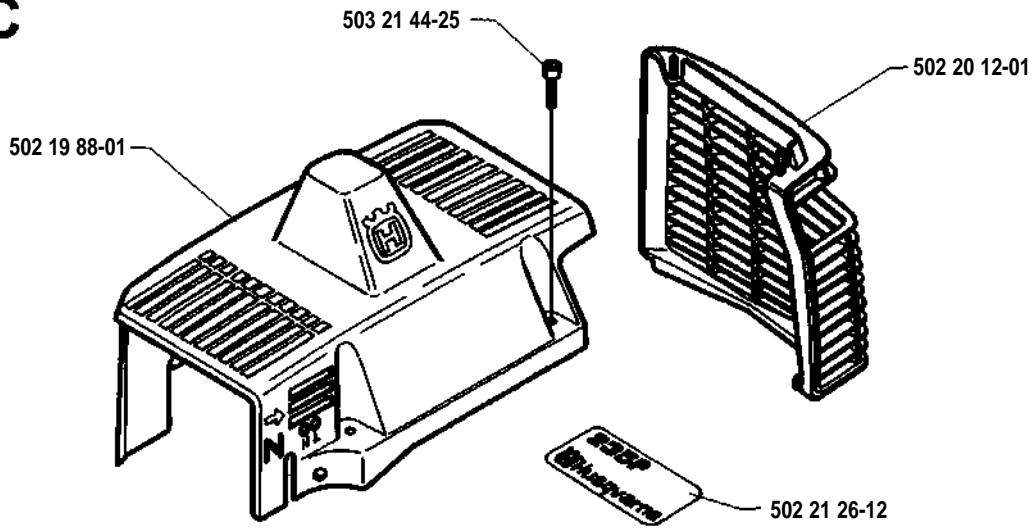
A



B

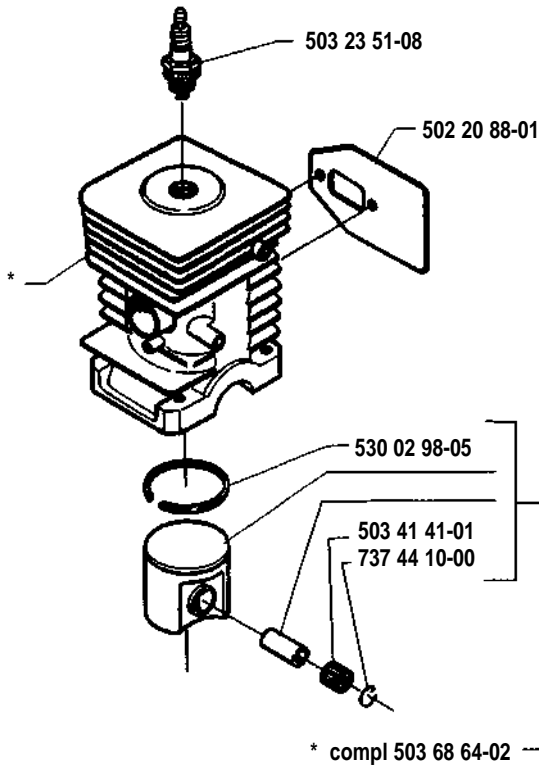


C



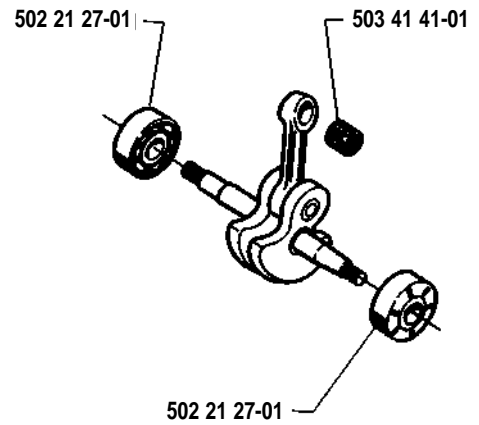
D

* compl 503 69 46-01

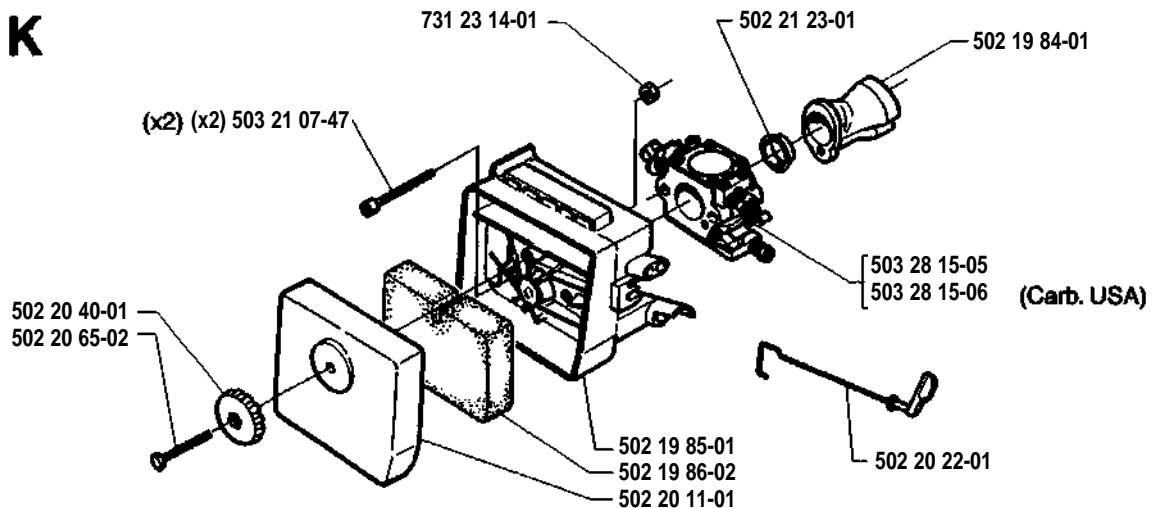


G

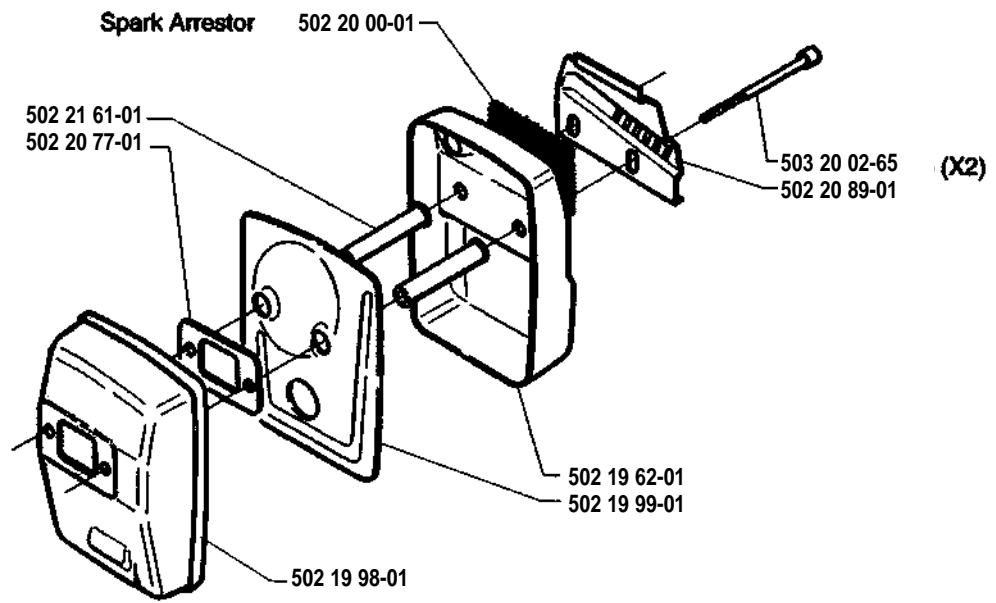
compl 502 21 28-01



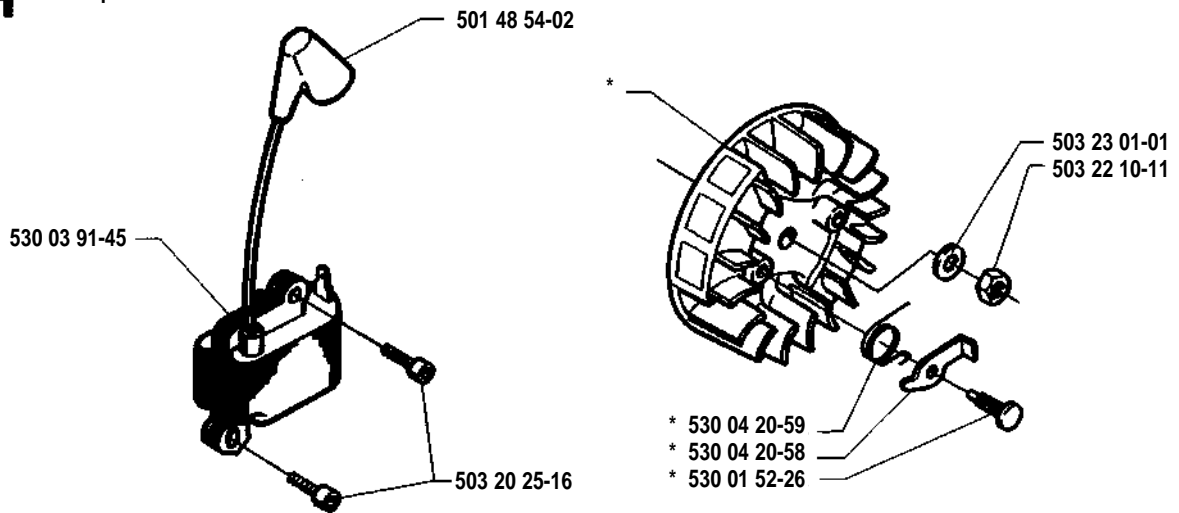
K



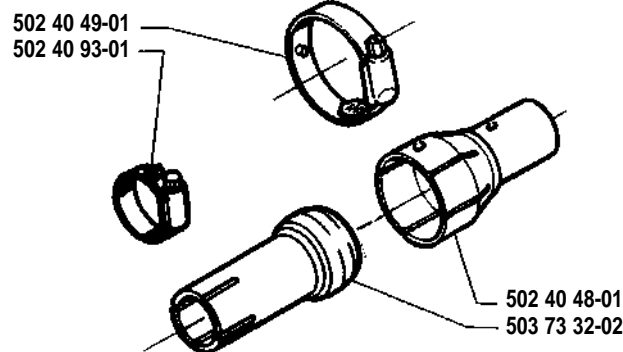
E compl 502 19 61-02



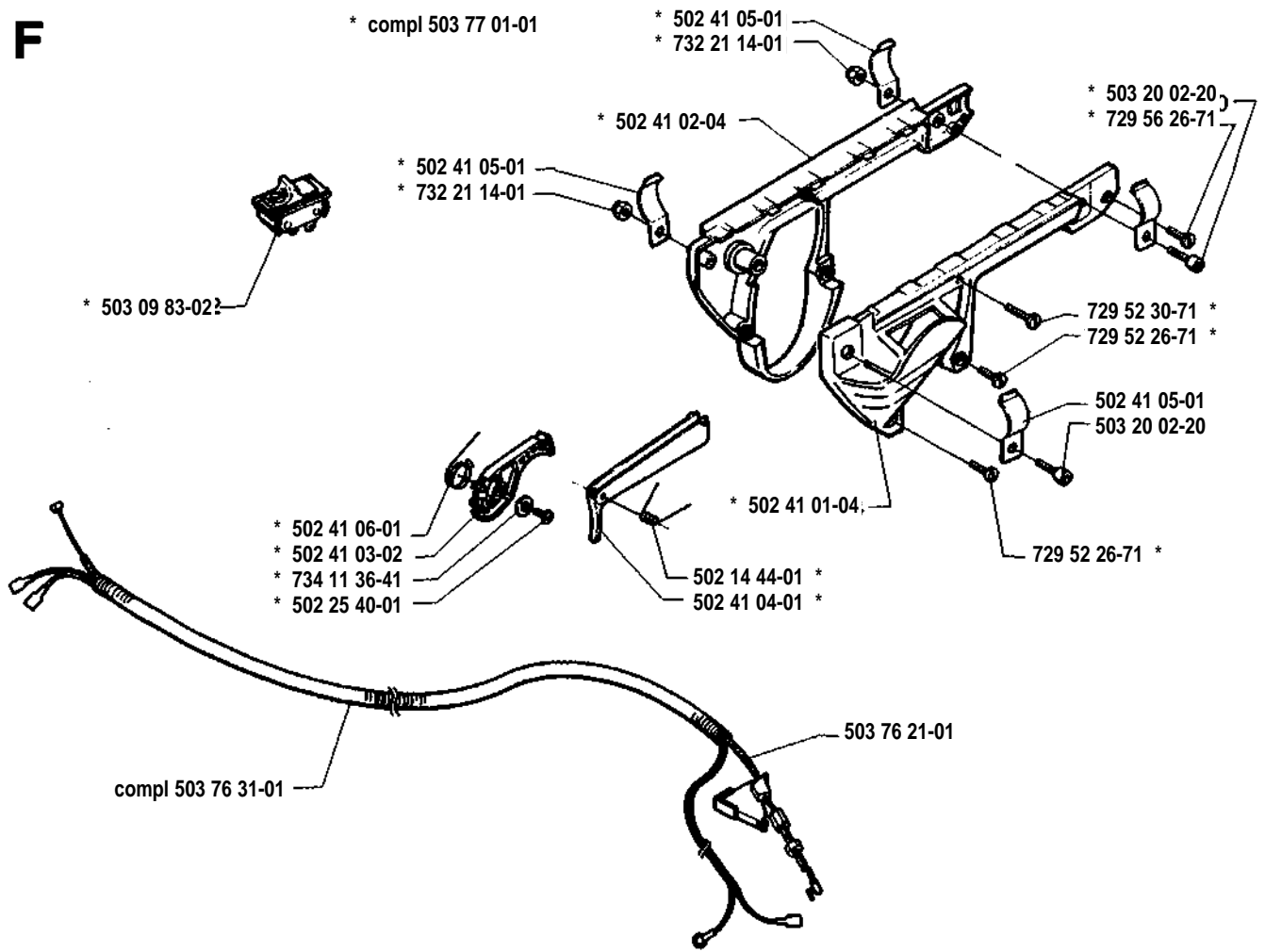
H * compl 502 19 59-01



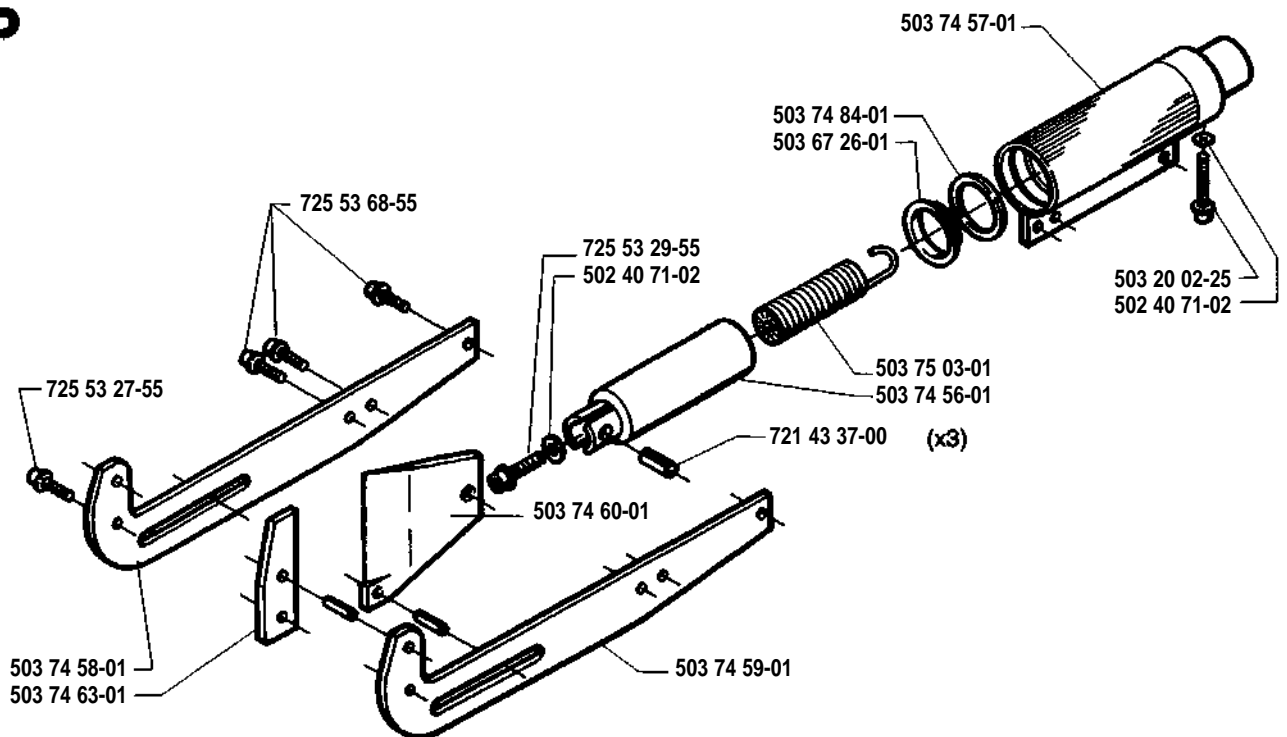
J



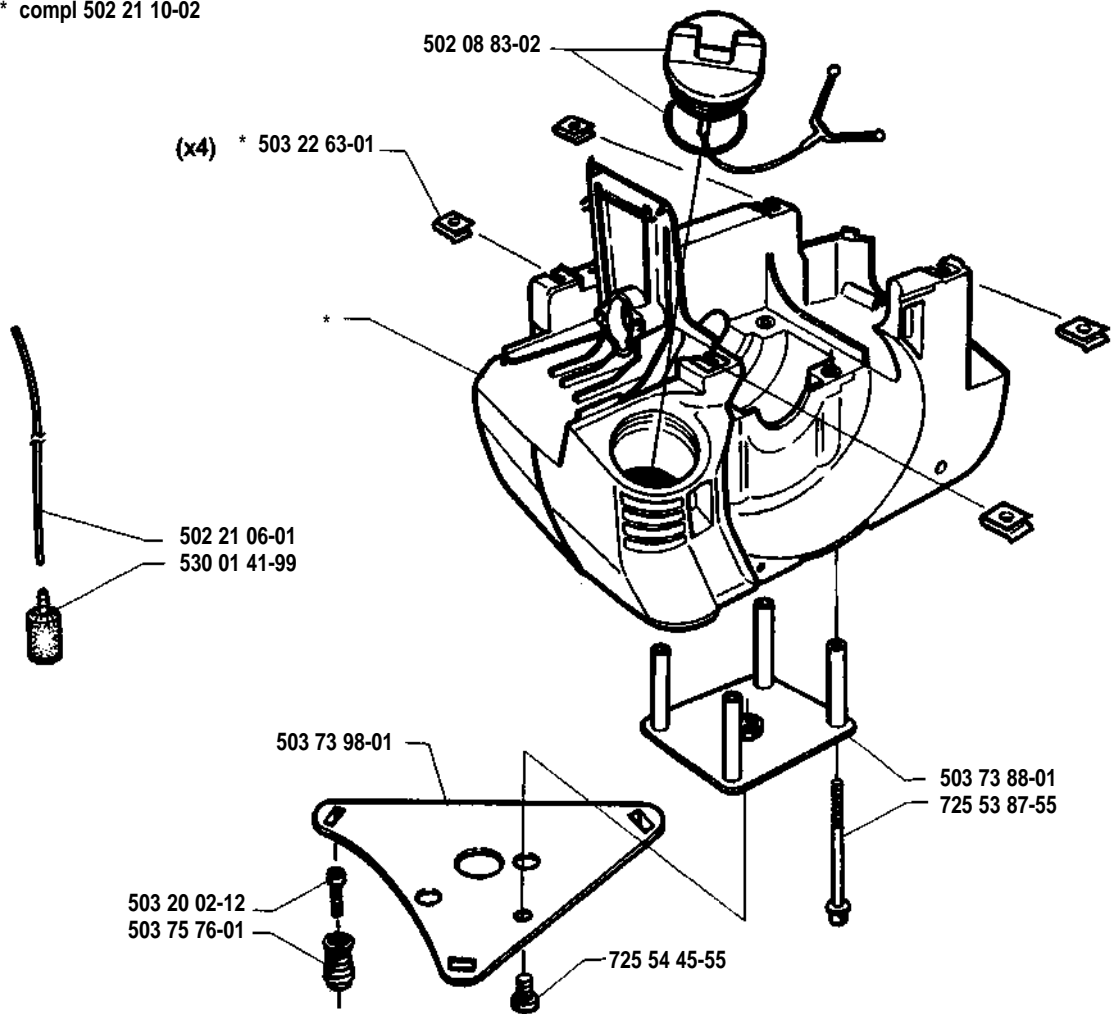
F



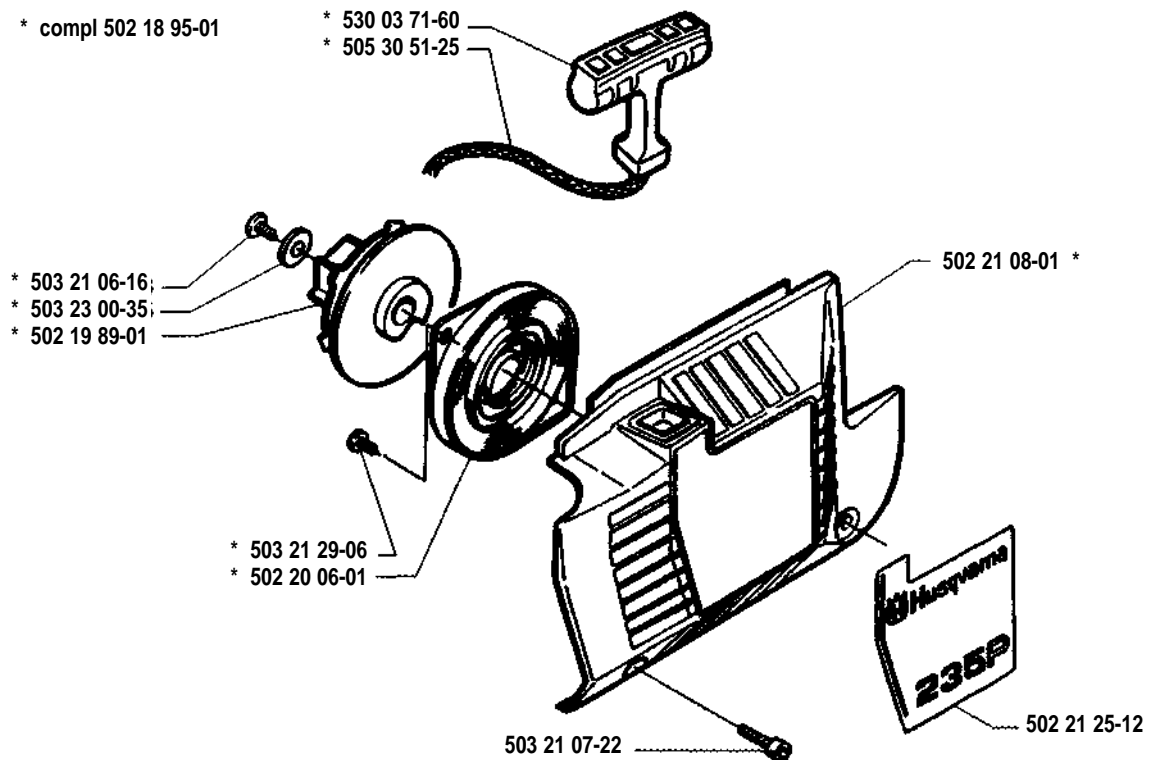
P



L * compl 502 21 10-02



M * compl 502 18 95-01



N

