



OWNER'S MANUAL
Model No. EA20A
ELECTRIC LIFT
ACTUATOR KIT
for GARDEN TRACTORS

- Assembly
- Operation
- Customer Responsibilities
- Repair Parts

For Parts and Service, contact our authorized distributor: in the U.S., call 1-800-849-YARD; In Canada, call 1-800-263-0660

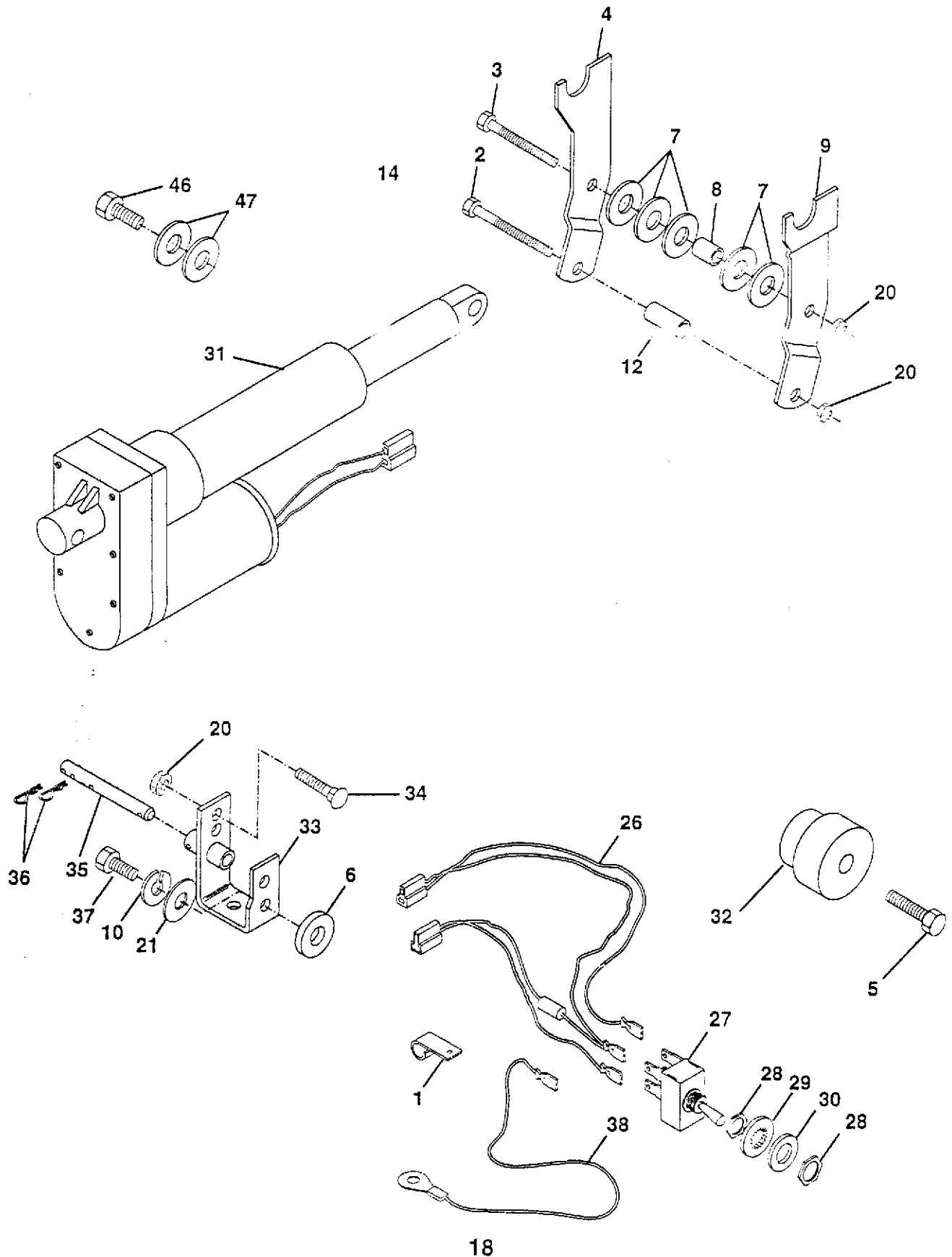


American Yard Products, Inc.

For Husqvarna Parts Call 606-678-9623 or 606-561-4983
REPAIR PARTS

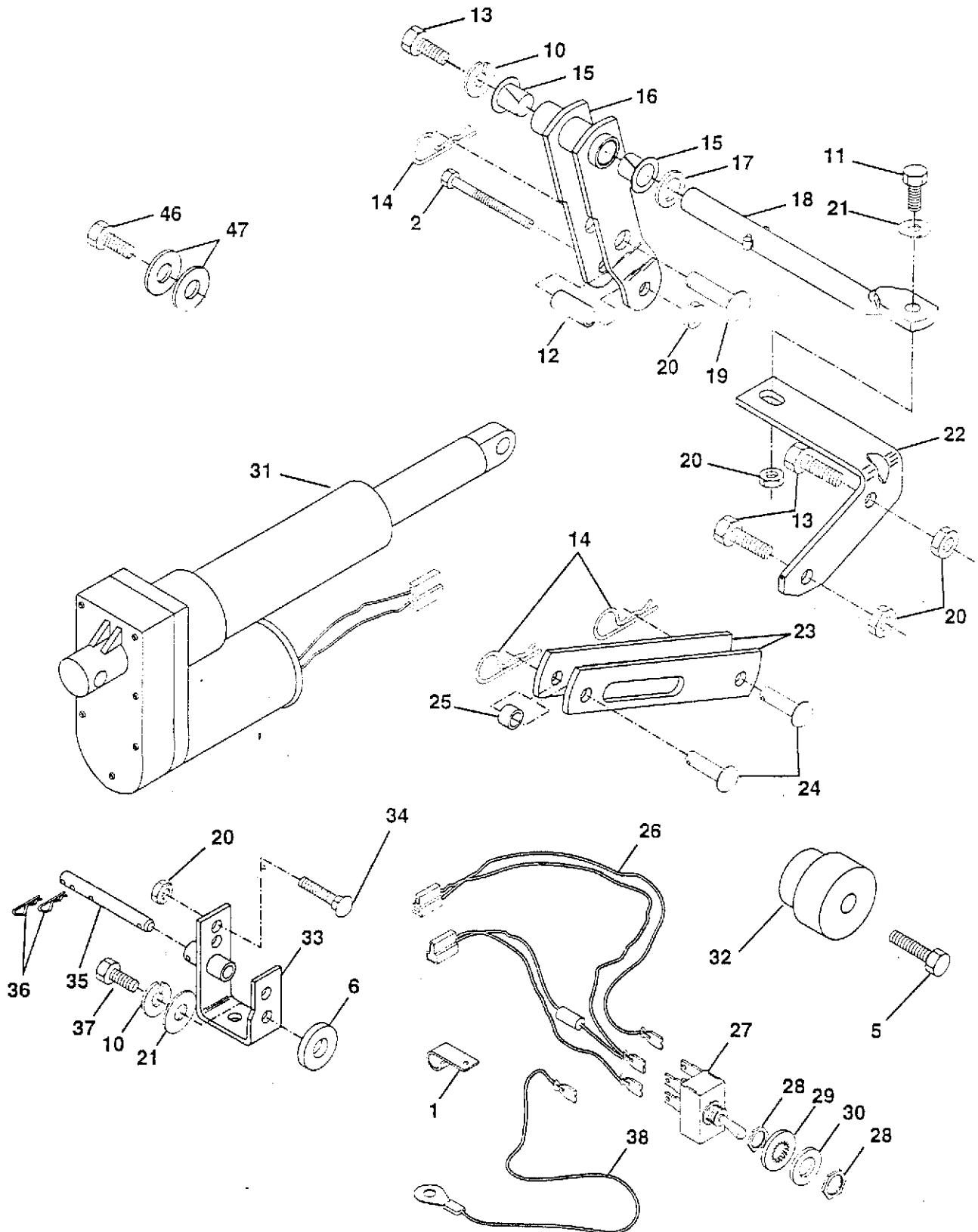
ELECTRIC ACTUATOR- - MODEL NUMBER EA20A

GEAR DRIVE. HORIZONTAL ENGINE TYPE TRACTOR



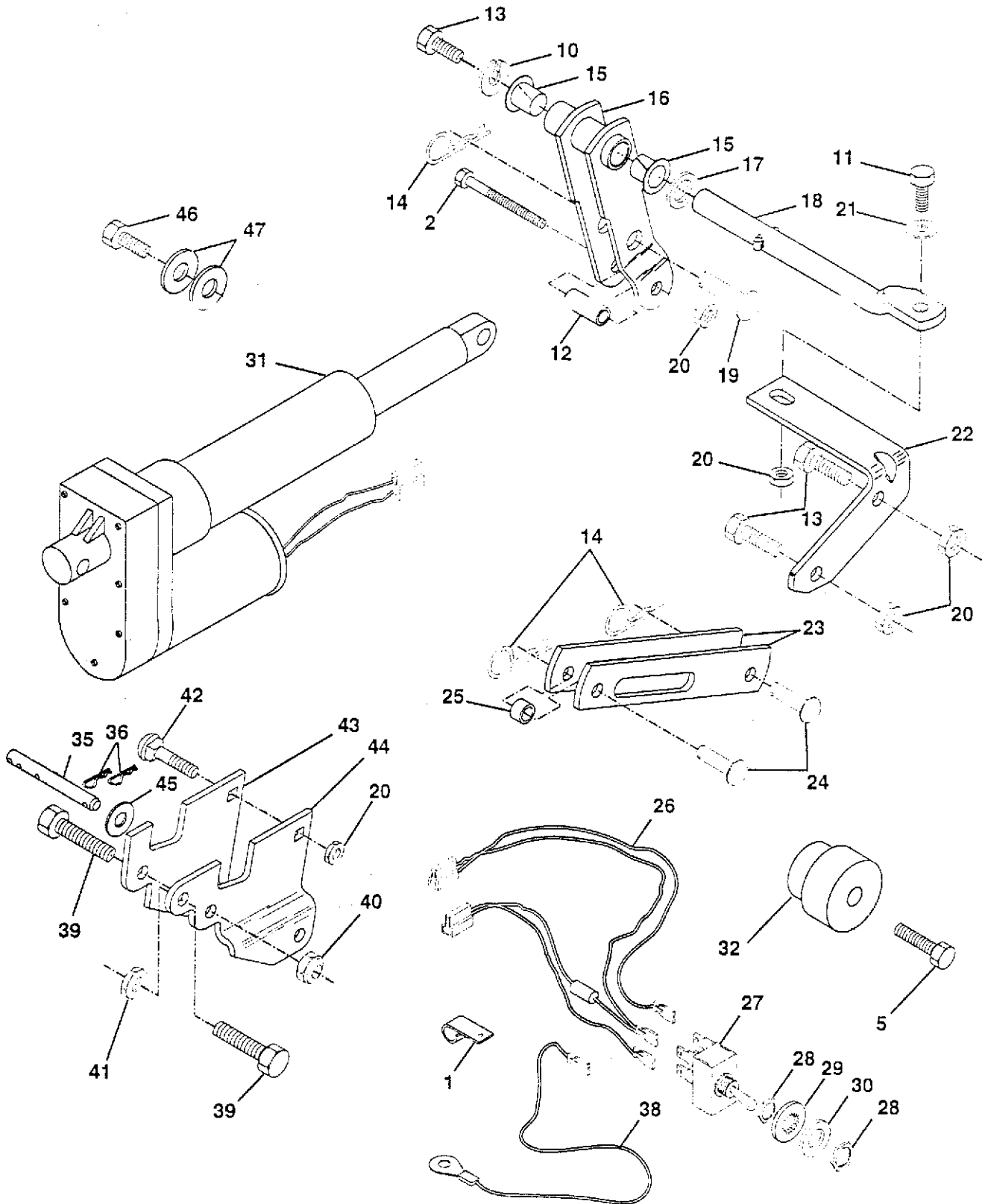
ELECTRIC ACTUATOR- - MODEL NUMBER EA20A

GEAR DRIVE, VERTICAL ENGINE TYPE TRACTOR



ELECTRIC ACTUATOR - - MODEL NUMBER EA20A

HYDROSTATIC DRIVE, VERTICAL ENGINE TYPE TRACTOR

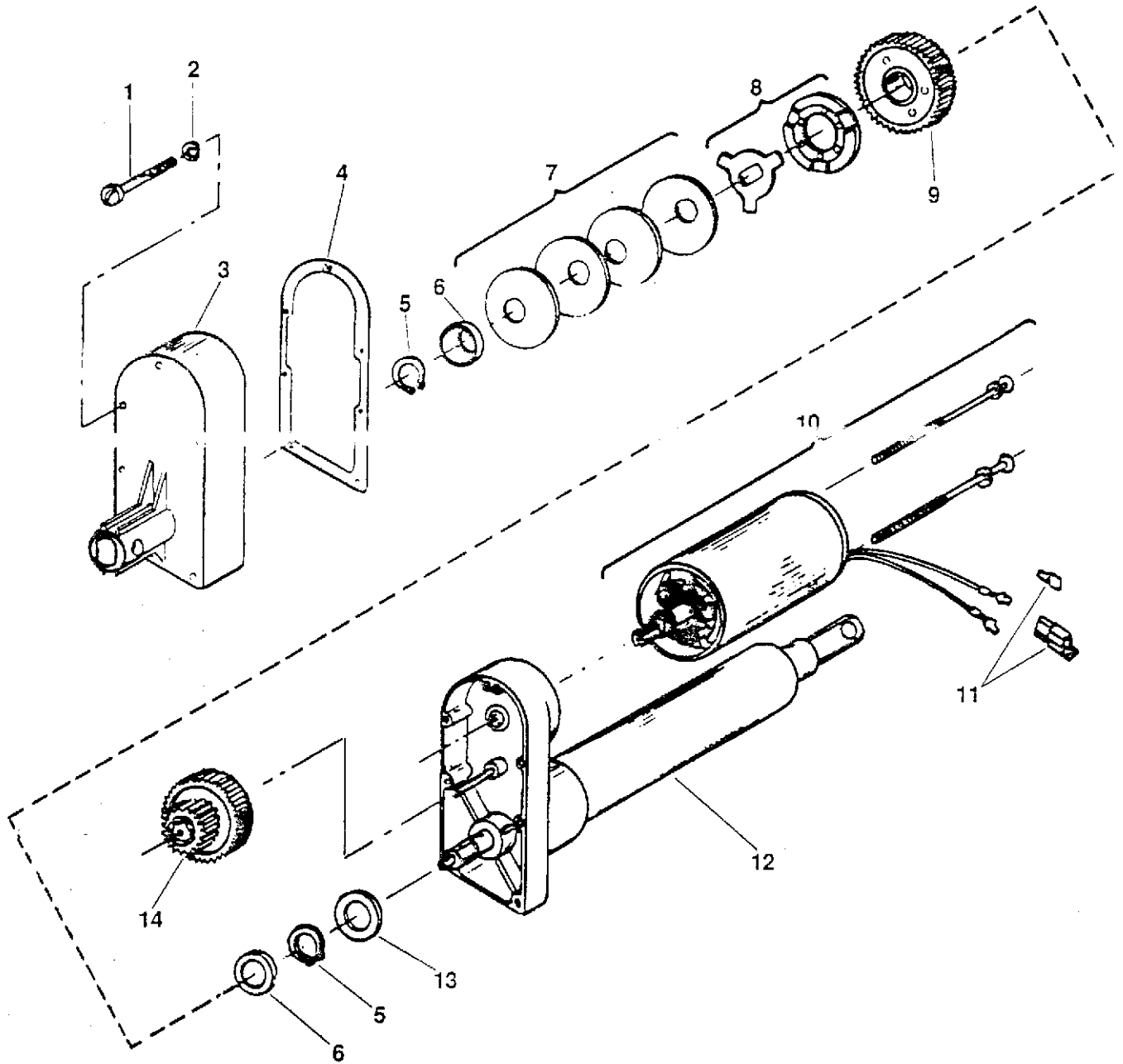


REPAIR PARTS

ELECTRIC ACTUATOR- - MODEL NUMBER EA20A

KEY NO.	PART NO.	DESCRIPTION
1	4171R	Clip, Insulated
2	74520636	Bolt, Hex 3/8-16 x 2-1/4 Grade 5
3	74520628	Bolt, Hex 3/8-16 x 1-3/4 Grade 5
4	5948J	Bracket, Lift L.H.
5	74760622	Bolt, Hex 3/8-16 x 1-3/8
6	19131407	Washer 13/32 x 7/8 x 7 Ga.
7	19172410	Washer 17/32 x 1-1/2 x 10 Ga.
8	5949J	Tube .384 x 1/2 x 15/16
9	5948J	Bracket, Lift L.H.
10	10040600	Washer, Lock
11	74760620	Bolt, Hex 3/8-16 x 1-1/4
12	5950J	Bushing .384 x 1/2 x 1-1/4
13	74760614	Bolt, Hex 3/8-16 x 7/8
14	4939M	Spring, Retainer
15	139276	Nyliner
16	138908	Arm, Pivot
17	19211621	Washer 21/32 x 1 x 21 Ga.
18	138914	Rod, Pivot Support
19	138948	Pin, Pivot
20	73800600	Locknut 3/8-16
21	19131416	Washer 13/32 x 7/8 x 16 Ga.
22	138912	Bracket, Pivot Rod
23	138905	Link, Lift
24	138947	Pin, Pivot
25	138909	Spacer
26	127017X	Harness, Lift Kit
27	8984R	Switch, Lift
28	7320R	Nut, Switch
29	7319R	Washer, Lock Int. Tooth
30	19151216	Washer 15/32 x 3/4 x 16 Ga.
31	124371X	Electric, Actuator
32	105624X	Hub, Lever Lift
33	677A886	Bracket, Assembly Actuator, Gear Drive
34	72270608	Bolt, Carriage 3/8-16 x 1
35	140877	Pin, Actuator
36	4940M	Spring, Retainer
37	74760616	Bolt, Hex 3/8-16 x 1
38	9698R	Wire, Ground
39	74780720	Bolt, Hex 7/16-14 x 1-1/4
40	73350700	Jam Nut 7/16-14
41	73800700	Locknut 7/16-14
42	72140610	Carriage Bolt 3/8-16 x 1-1/4
43	140876	LH Actuator Bracket, Hydro
44	140875	RH Actuator Bracket, Hydro
45	19171216	Washer 17/32 x 3/4 x 16 Ga.
46	74760520	Bolt, Hex 5/16-18 x 1-1/4
47	19112410	Washer 11/32 x 1-1/2 x 10 Ga.

ELECTRIC ACTUATOR- - MODEL NUMBER EA20A



KEY NO.	PART NO.	DESCRIPTION
1	1862J	Screw - Sl. Fil. Hd. Mach. No. 10-32 x 1-5/8
2	1863J	Lockwasher - No. 10
3	8331J	Housing Cover
4	1857J	Cover Gasket
5	1865J	Snap Ring
6	1864J	Retaining Ring
7	677A149	Spring Washer (Use 3 or 4 as req'd.)

KEY NO.	PART NO.	DESCRIPTION
8	674A281	Pawl & Ramp Washer
9	1859J	Out put Gear
10	1861J	Motor - 12V
11	673A218	Connector Body Kit
12	---	Not Serviced Separately Order complete actuator Part# 124371
13	1860J	Thrust Washer
14	1858J	Intermediate Gear