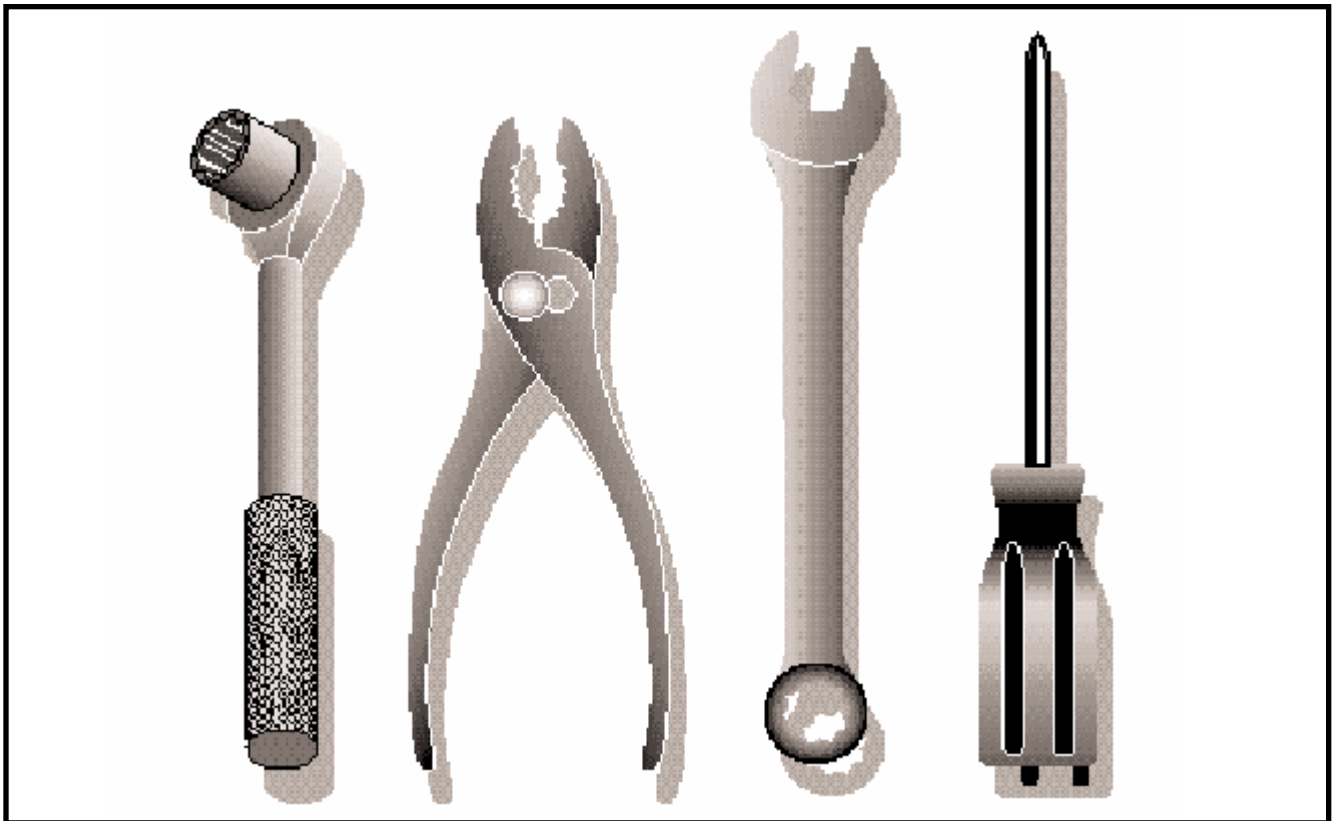




Illustrated Parts List	1994-07
	19402011

LR 111

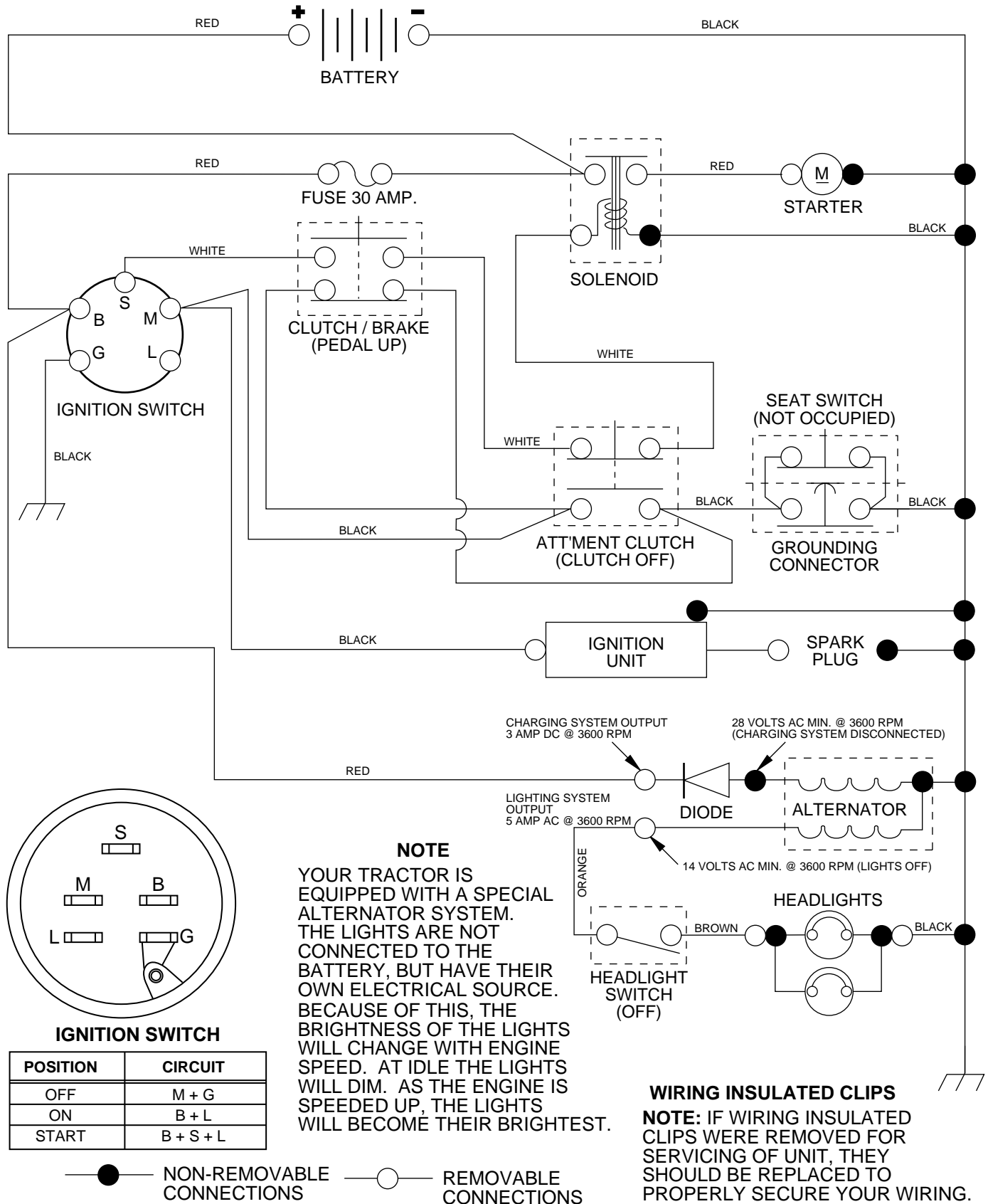
954001212A



Repair Parts Manual

Ride Mower

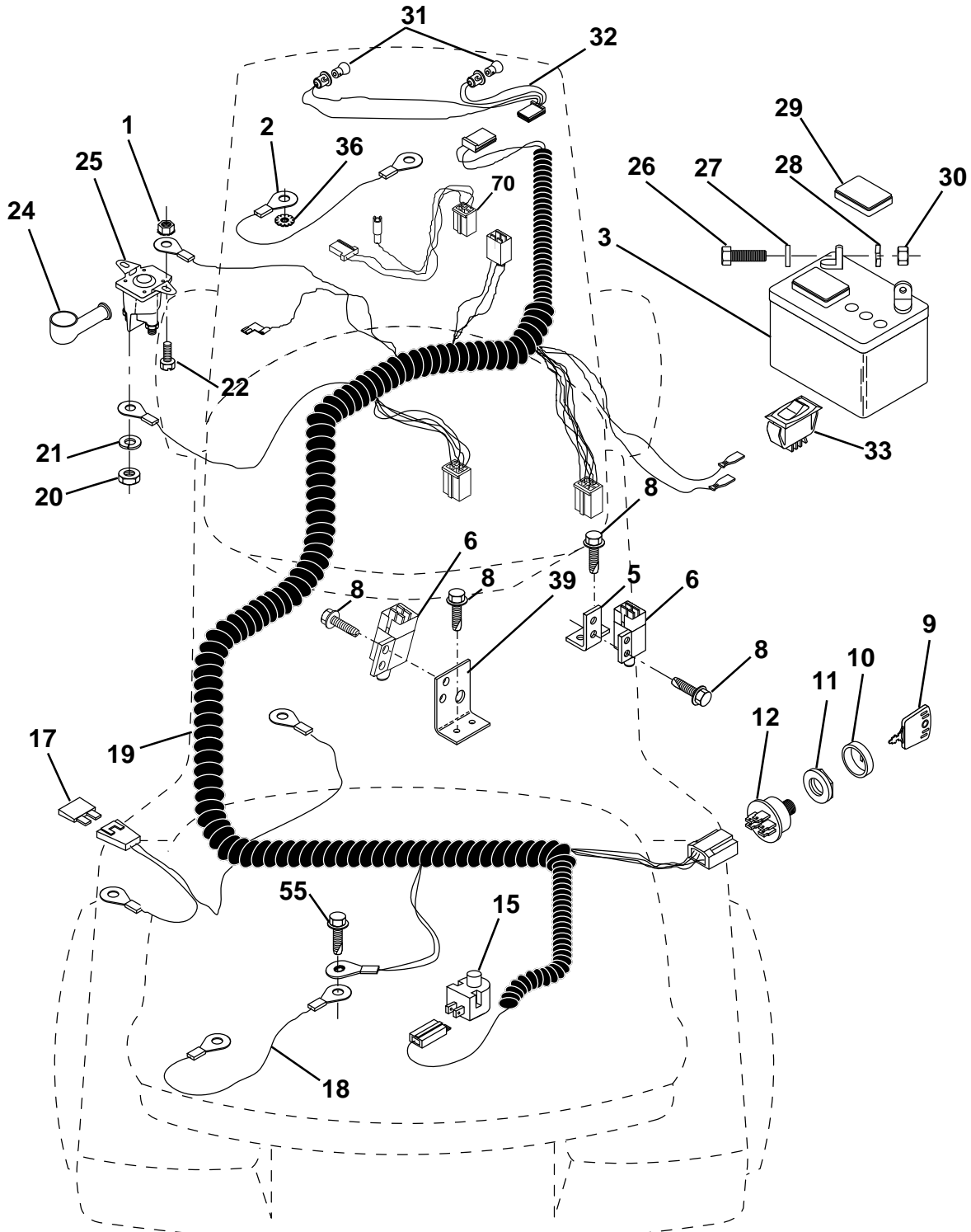
SCHEMATIC



REPAIR PARTS

11 HP 36" TRACTOR - MODEL NO. LR111 (954001212A)

ELECTRICAL



REPAIR PARTS

11 HP 36" TRACTOR - MODEL NO. LR111 (954001212A)

ELECTRICAL

KEY NO.	PART NO.	DESCRIPTION
1	873640400	Nut, Hex Keps 1/4-20
2	532108423	Assembly, Cable
3	532133909	Battery
5	532108236	Bracket, Switch
6	532109553	Switch, Interlock (4-terminal)
8	817021008	Screw, Hex Hd. Tap #10-24 x 1/2
9	532140402	Key, Steel Delta
10	532141226	Cover, Key Ignition
11	532140400	Nut, Ignition
12	532144921	Switch, Ignition
15	532121305	Switch, Plunger
17	532108824	Fuse
18	532128353	Assembly, Cable
19	532143132	Harness, Ignition
20	873350400	Nut, Hex Jam 1/4-20
21	810090400	Washer, Lock 1/4
22	871110408	Bolt, Fin. Hex 1/4-20 UNC x 1/2
24	532131563	Cover, Terminal
25	532138406	Solenoid
26	874760412	Bolt, Hex Hd. 1/4-20 UNC x 3/4
27	819091016	Washer 9/32 x 5/8 x 16
28	810040400	Washer, Lock 1/4
29	532121264	Cap, Battery
30	873220400	Nut, Fin. Hex 1/4-20 UNC
31	532004152	Bulb, Light
32	532142881	Harness, Headlight
33	532110712	Switch, Light
36	811150400	Washer Lock Inter. Tooth 1/4
39	532141735	Bracket, Switch Clutch
55	817490508	Screw Thdrol 5/16-18 x 1/2
70	532140413	Harness Engine

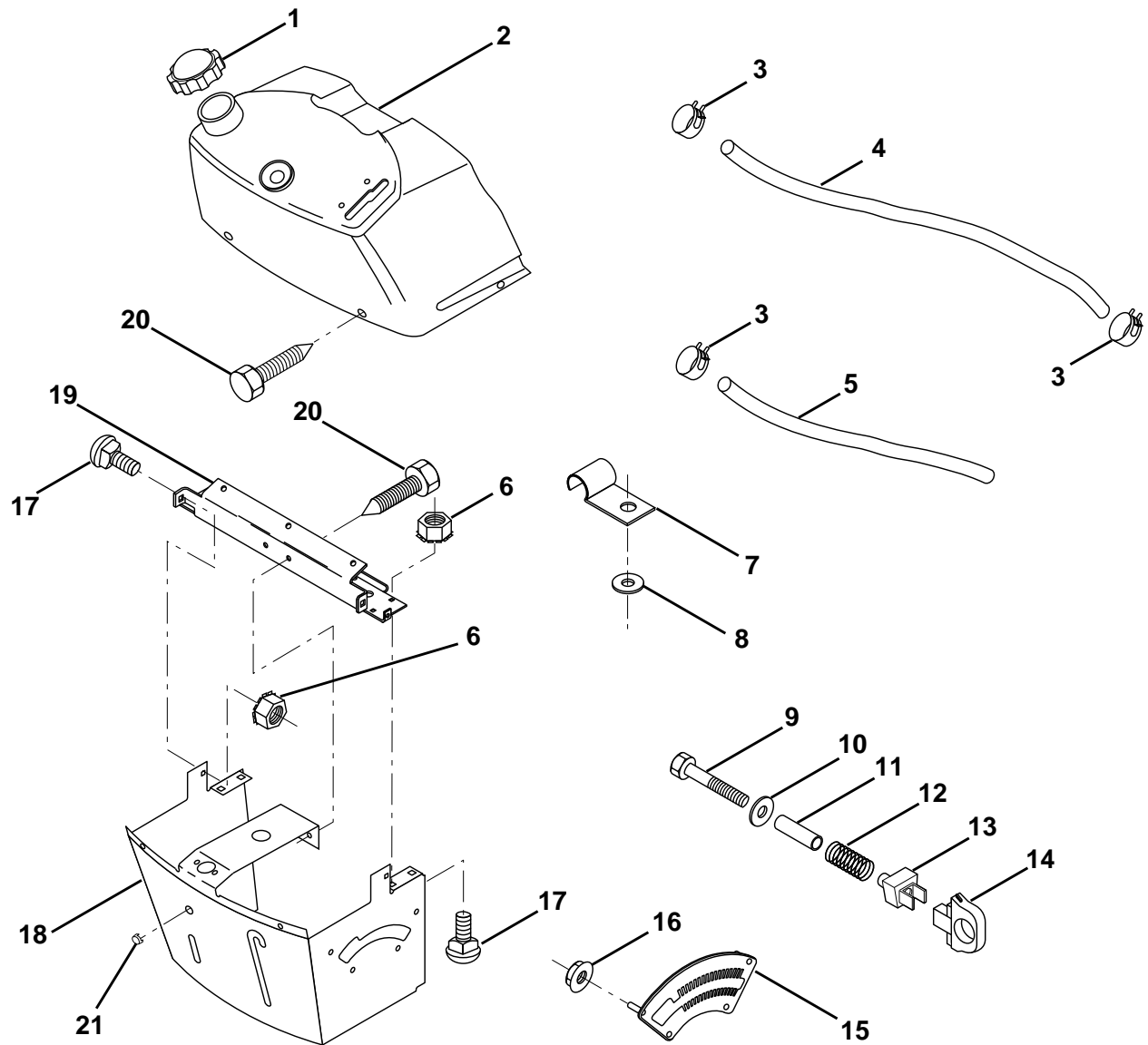
NOTE: All component dimensions given in U.S. inches.
1 inch = 25.4 mm

HARDWARE SHOWN LARGER FOR EASIER IDENTIFICATION

REPAIR PARTS

11 HP 36" TRACTOR - MODEL NO. LR111 (954001212A)

DASH



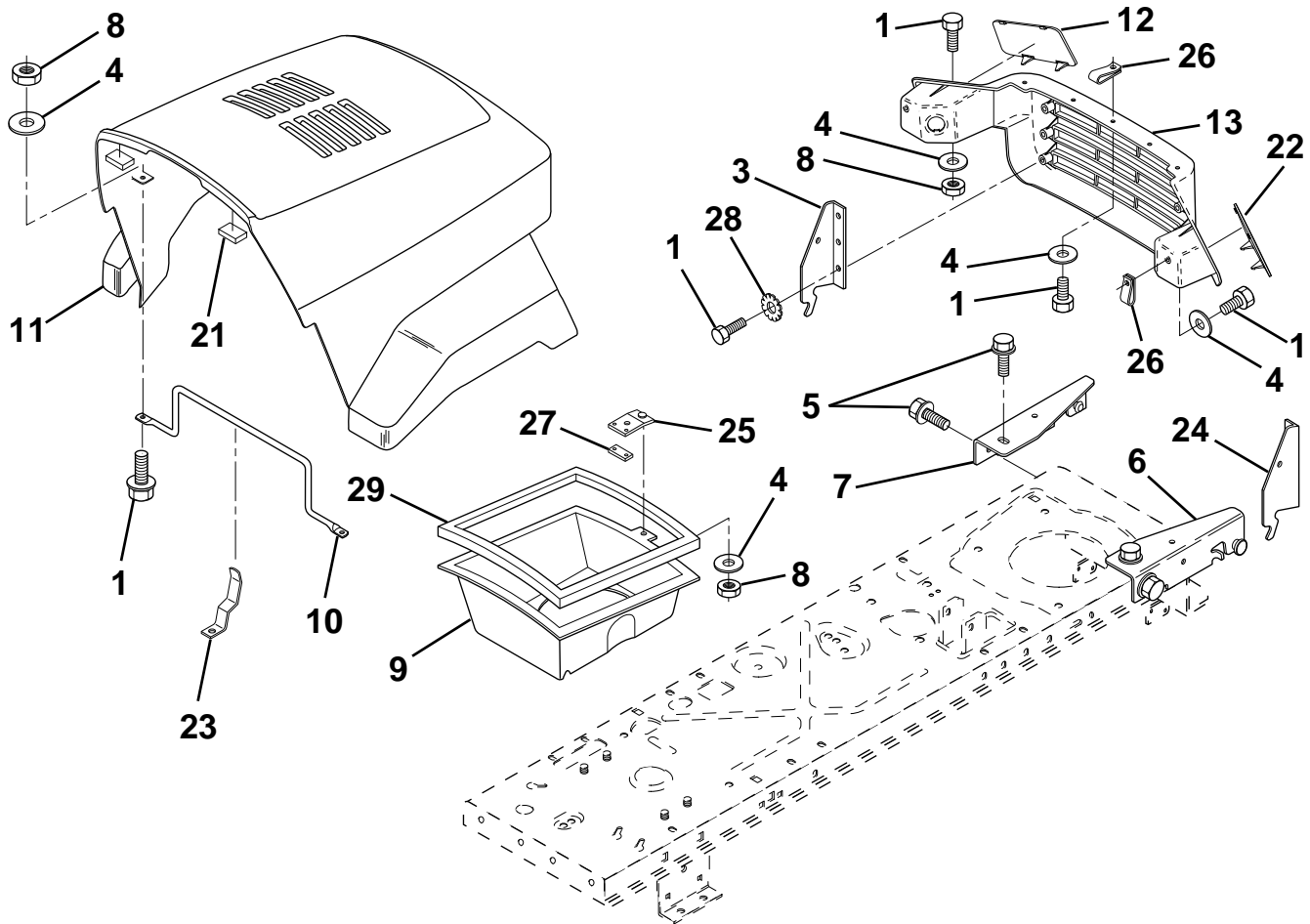
KEY NO.	PART NO.	DESCRIPTION	KEY NO.	PART NO.	DESCRIPTION
1	532142187	Cap, Fuel	12	532003720	Spring
2	532138395	Assembly, Dash & Fuel Tank	13	532126450	Clip, Height Adjuston
3	532123487	Clamp, Hose	14	532126115	Knob, Height Stop
4	532008544	Line, Fuel	15	532122023	Adjustment, Quadrant Height
5	532008548	Line, Fuel	16	532124346	Nut, Self-Threading 3/16-18
6	873640400	Nut, Hex, Keps 1/4-20	17	872110404	Bolt, Carriage 1/4-20 x 1/2 Gr. 5
7	532124996	Clip, Fuel Line	18	532130745	Support Assembly, Dash
8	819091216	Washer 9/32 x 3/4 x 16 Ga.	19	532134744	Brace, Cross
9	874760428	Bolt, Hex, Fin 1/4-20 x 1-3/4	20	817060408	Screw, Self-Tapping 1/4-20 x 1/2
10	819091413	Washer 11/32 x 11/16 x 16 Ga.	21	532134014	Plug Dome Black
11	532121249	Spacer, Split			

HARDWARE SHOWN LARGER FOR EASIER IDENTIFICATION

REPAIR PARTS

11 HP 36" TRACTOR - MODEL NO. LR111 (954001212A)

HOOD



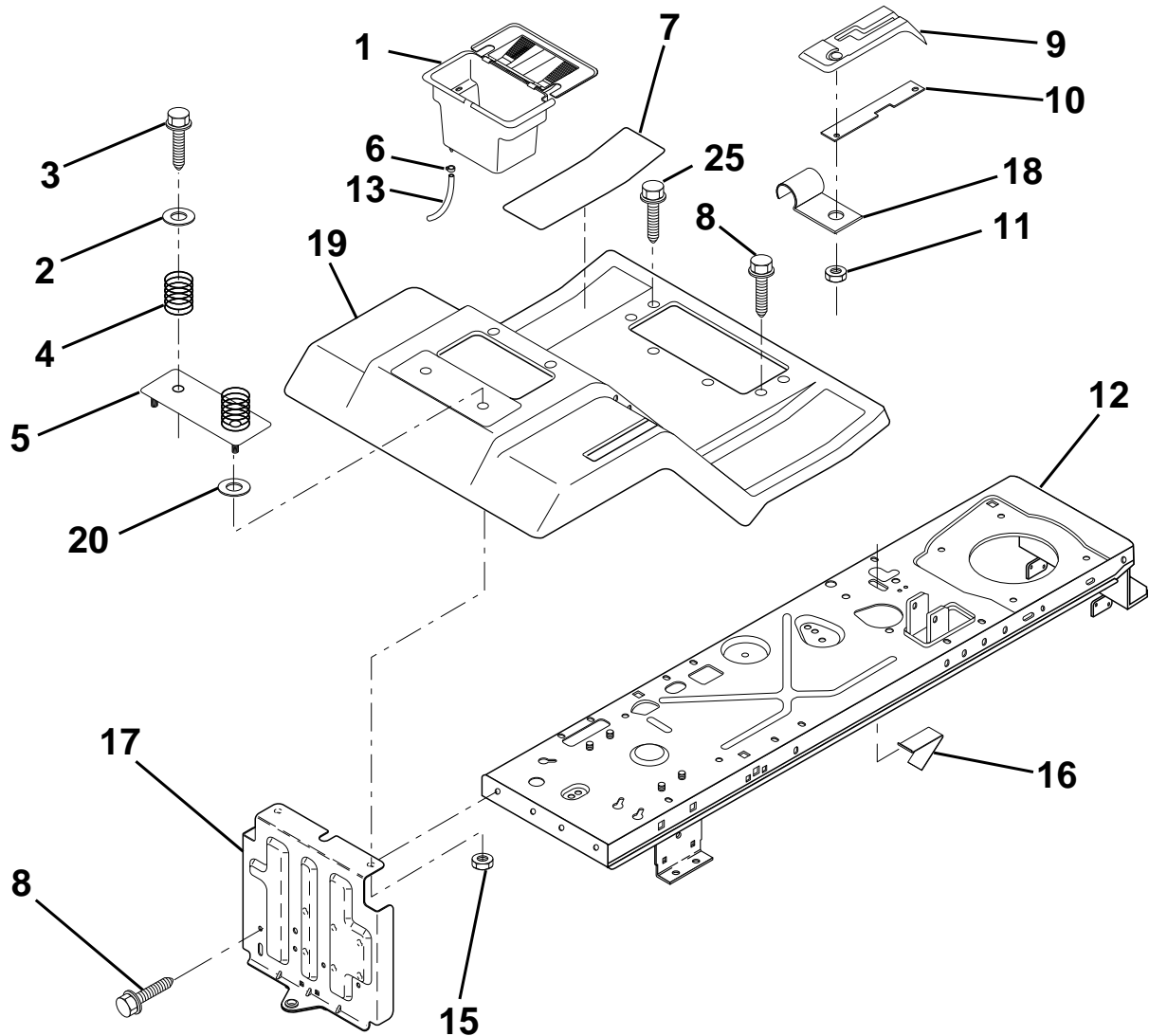
KEY NO.	PART NO.	DESCRIPTION	KEY NO.	PART NO.	DESCRIPTION
1	874780410	Bolt Fin Hex 1/4-20 x 5/8	13	532130984	Grille
3	532128445	Bracket Pivot Hood LH	21	532126938	Bumper Hood
4	819091016	Washer, Flat 1/4	22	532130985	Lens RH
5	817490512	Screw Thdrol 5/16-28 x 3/4	23	532139969	Latch Hood
6	532140051	Bracket Asm. Pivot Hood RH	24	532142873	Bracket Pivot Hood RH
7	532140050	Bracket Asm. Pivot Hood LH	25	532131037	Clip Asm. Duct Air
8	873680400	Nut Fin Hex 1/4-20	26	532052921	Clip Tinnerman
9	532123840	Duct Air Hood	27	532131028	Clip Tinnerman
10	532130850	Brace Hood	28	811050400	Washer Lock Ext. Tooth
11	532140142	Hood	29	532120537	Strip Foam
12	532130986	Lens LH			

HARDWARE SHOWN LARGER FOR EASIER IDENTIFICATION

REPAIR PARTS

11 HP 36" TRACTOR - MODEL NO. LR111 (954001212A)

FENDER / CHASSIS



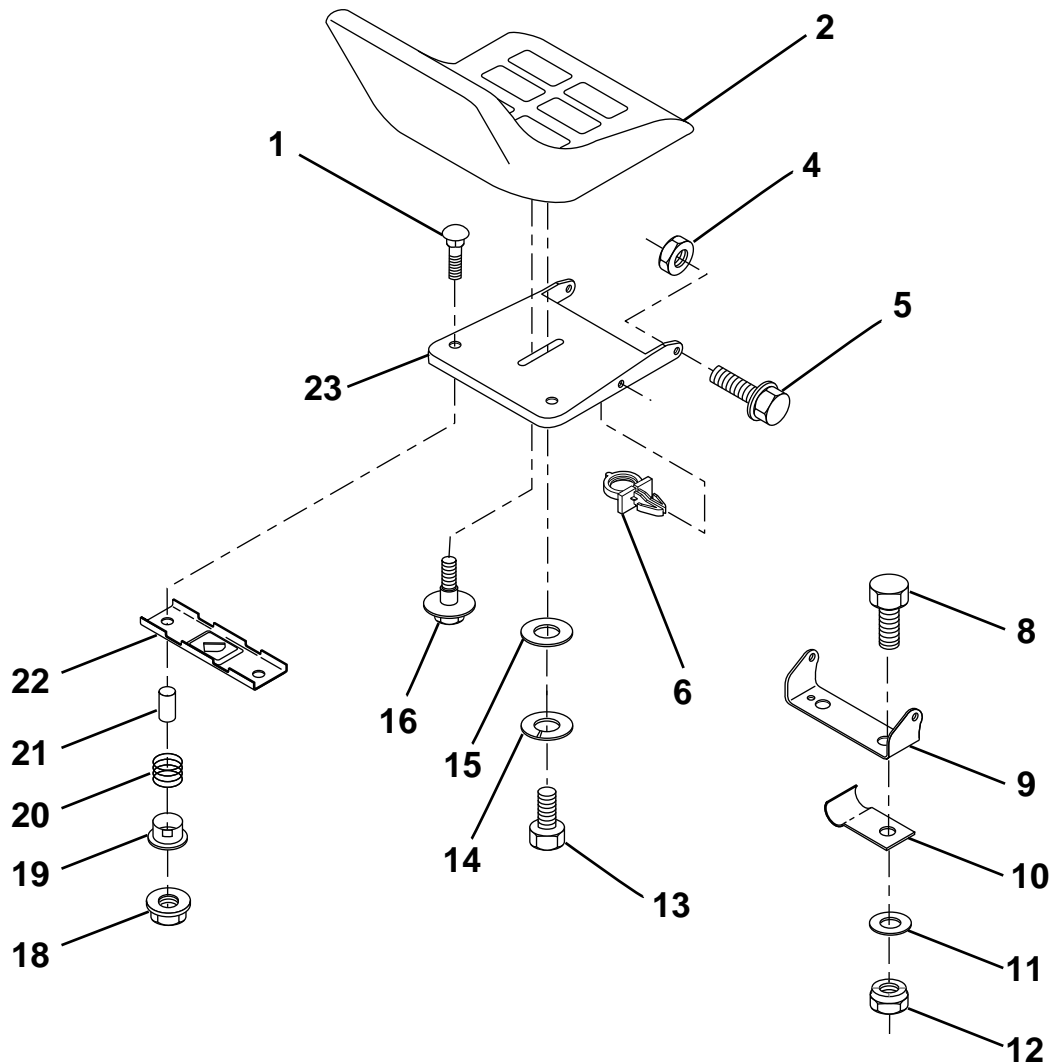
KEY NO.	PART NO.	DESCRIPTION	KEY NO.	PART NO.	DESCRIPTION
1	532129965	Case, Battery	11	532124346	Nut, Self-Threading, Wsher Hd 3/16
2	819132012	Washer 13/32 x 1-1/4 x 12 Ga.	12	532145190	Assembly, Frame
3	817490612	Screw, Hex Wsh. Thrdol 3/8-16 x 3/4	13	532109238	Tube, Battery Drain
4	532124181	Spring, Compression, Seat	15	873640400	Nut, Keps 1/4-20 UNC
5	532125142	Plate, Asm. Battery	16	532141736	Switch Actuator
6	532109596	Clamp, Hose	17	532140782	Drawbar
7	532124144	Pad, Footrest	18	532126470	Clip, Insulated
8	817490512	Screw Thrdol 5/16-18 x 3/4	19	532141393	Fender/Footrest
9	532126993	Console, Shift Control	20	819091413	Washer 9/32 x 7/8 x 13 Ga.
10	532139783	Bar, Shift Lock	25	817490516	Scr-Hx Wsh Thd Rol 5/16-18 x 1

HARDWARE SHOWN LARGER FOR EASIER IDENTIFICATION

REPAIR PARTS

11 HP 36" TRACTOR - MODEL NO. LR111 (954001212A)

SEAT



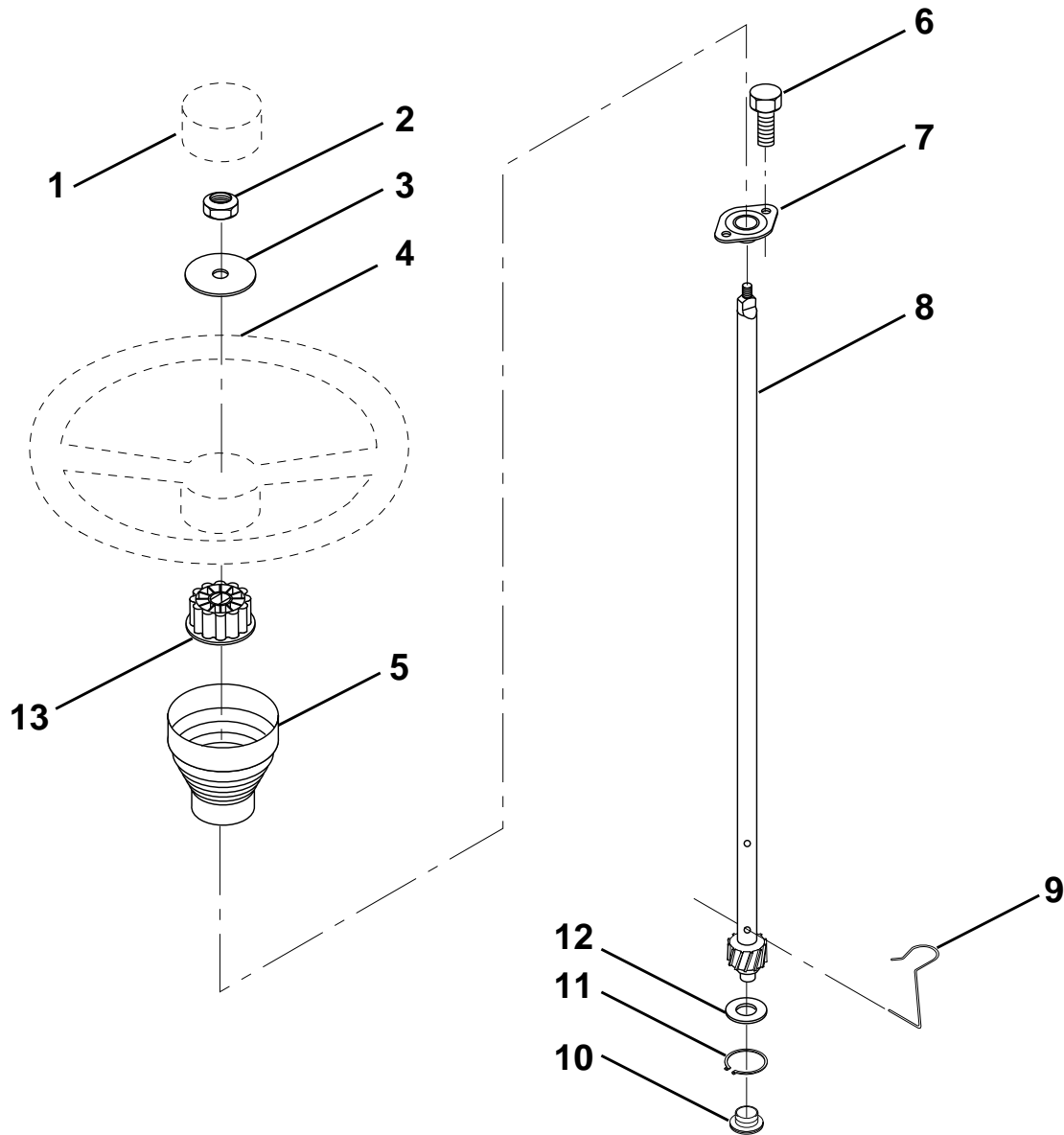
KEY NO.	PART NO.	DESCRIPTION	KEY NO.	PART NO.	DESCRIPTION
1	872050411	Bolt, Carriage 1/4-20 x 1-3/8	13	874780814	Bolt Hex 1/2-13 x 7/8
2	532130875	Seat	14	810040800	Washer Lock Hvy. Hlcl Spring 1/2
4	873800500	Locknut, Hex w/Ins 5/16-18	15	819171912	Washer, 17/32 x 1-3/16 x 12 Ga.
5	532139888	Bolt, Shoulder 5/16-18 UNC	16	532127018	Bolt, Shoulder
6	532145006	Clip, Push-In	18	532123976	Nut, Hex Large Flange Lock
8	874760616	Bolt, Fin Hex 3/8-16 UNC x 1	19	532121248	Bushing, Snap
9	532140551	Bracket, Pivot Seat	20	532121250	Spring, Compression
10	532126471	Clip, Insulated	21	532134300	Spacer, Split 28 Id. x .88 Lg.
11	819133210	Washer 12/32 x 2 x 10 Ga.	22	532121246	Bracket, Switch, Mounting
12	873800600	Nut, Lock Hex w/Wsh 3/8-16	23	532140552	Pan, Seat

HARDWARE SHOWN LARGER FOR EASIER IDENTIFICATION

REPAIR PARTS

11 HP 36" TRACTOR - MODEL NO. LR111 (954001212A)

STEERING WHEEL



KEY NO.	PART NO.	DESCRIPTION
1	532124416	Insert, Wheel, Steering
2	532124701	Nut, Lock 3/8-24 UNF
3	819133808	Washer 12/32 x 2-3/8 x 8 Ga.
4	532124415	Wheel, Steering
5	532127396	Sleeve, Steering
6	817431008	Screw, Hex #10-16 x 1/2 TY-B
7	532102803	Bushing, Steering

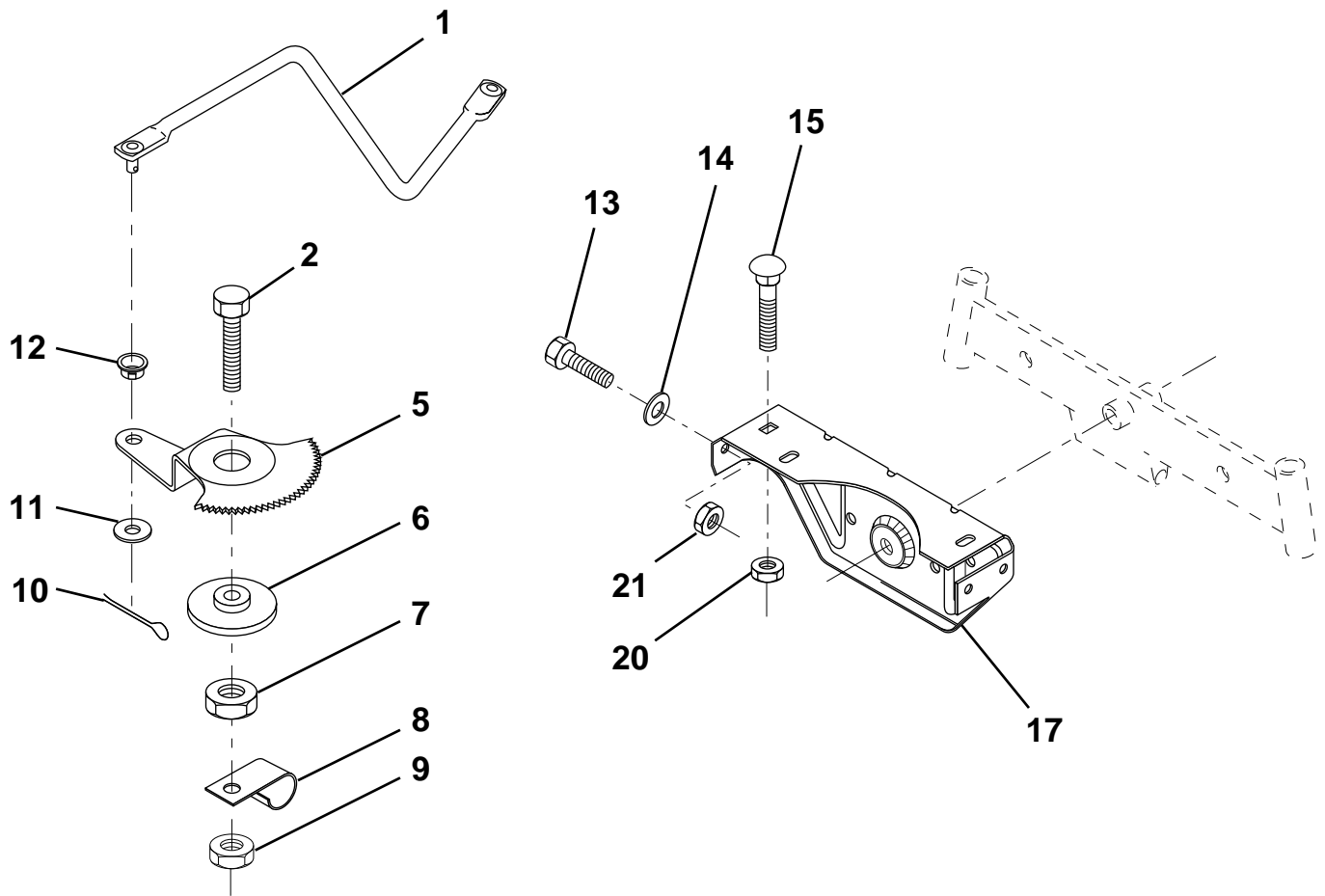
KEY NO.	PART NO.	DESCRIPTION
8	532123651	Shaft, Steering
9	532124210	Clip, Steering
10	532123438	Bushing, Lower, Steering
11	812000045	Ring, Retaining
12	819211616	Washer 21/32 x 1 x 16 Ga.
13	532104820	Adaptor, Wheel, Steering

HARDWARE SHOWN LARGER FOR EASIER IDENTIFICATION

REPAIR PARTS

11 HP 36" TRACTOR - MODEL NO. LR111 (954001212A)

SECTOR GEAR / AXLE SUPPORT



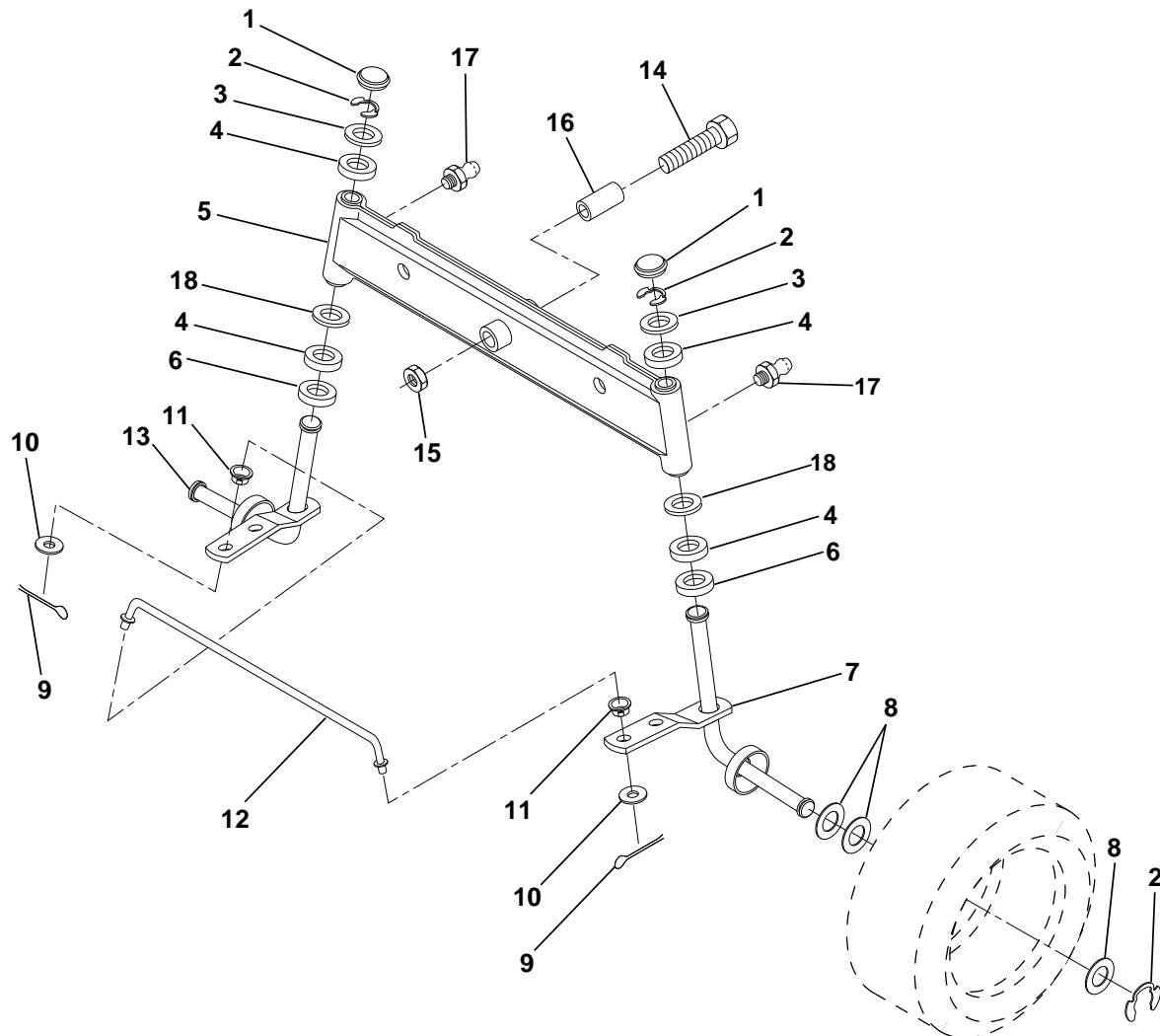
KEY NO.	PART NO.	DESCRIPTION	KEY NO.	PART NO.	DESCRIPTION
1	532132566	Link, Drag	11	819131316	Washer, 13/32 x 13/16 x 16 Ga.
2	874780828	Bolt, Fin Hex 1/2-13 x 1-3/4	12	532126847	Bushing
5	532121926	Gear, Sector	13	874760512	Bolt, Hex Hd. 5/16-18 UNC x 3/4
6	532121927	Bushing	14	819111416	Washer 11/32 x 7/8 x 16 Ga.
7	873030800	Nut, Heavy Hex Top Lock 1/2-13 UNC	15	872110606	Bolt, Carriage 3/8-16 UNC x 3/4
8	532126472	Clip, Insulated	17	532137096	Support, Front Axle
9	873680800	Nut, Crownlock 3/8-16	20	873680600	Nut, Crownlock 3/8-16 UNC
10	876020412	Pin, Cotter 1/8 x 3/4	21	873680500	Nut, Crownlock 5/16-18

HARDWARE SHOWN LARGER FOR EASIER IDENTIFICATION

REPAIR PARTS

11 HP 36" TRACTOR - MODEL NO. LR111 (954001212A)

FRONT AXLE



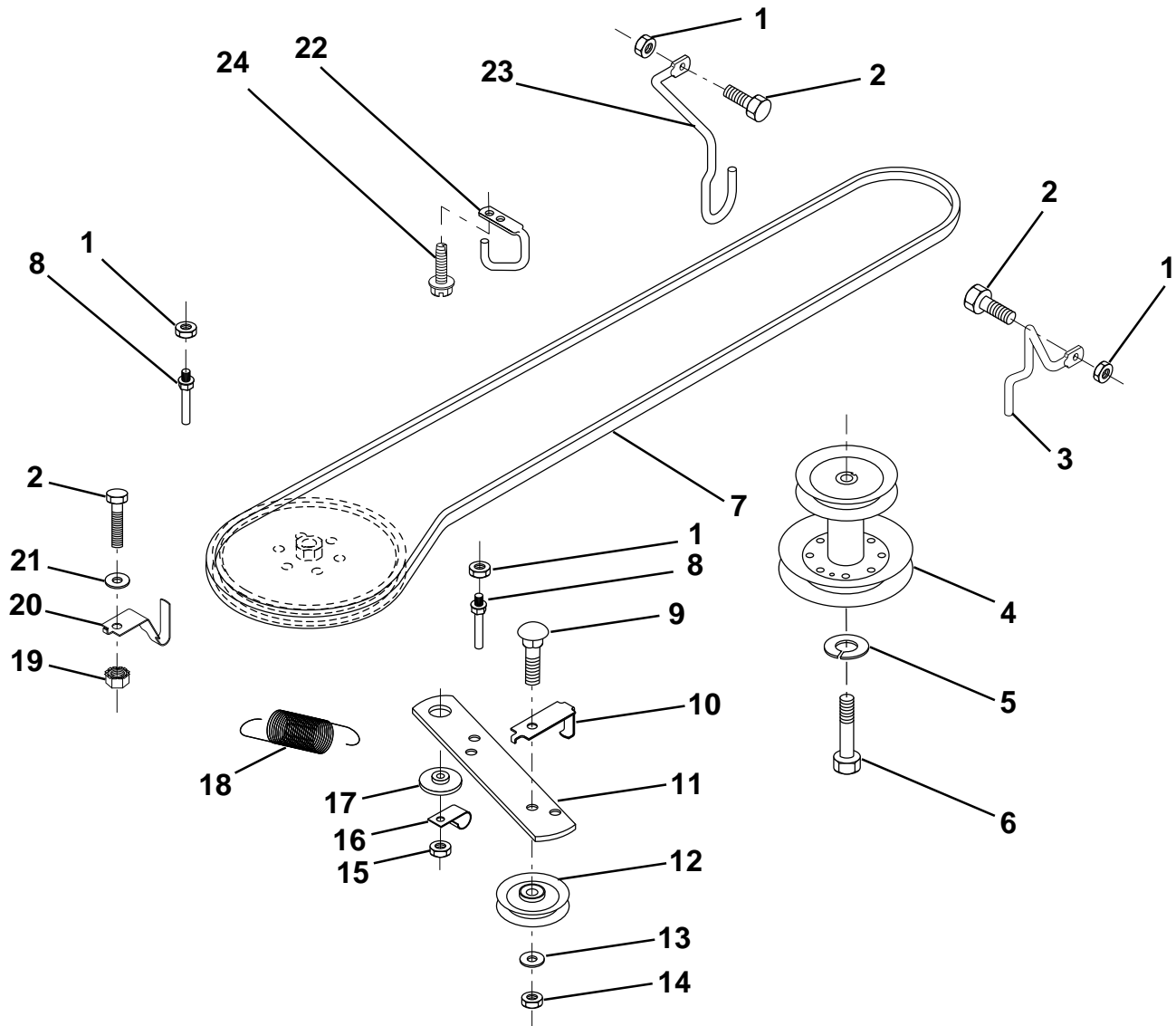
KEY NO.	PART NO.	DESCRIPTION	KEY NO.	PART NO.	DESCRIPTION
1	532121232	Cap, Spindle	11	532126847	Bushing
2	812000029	Ring, Clip	12	532130465	Rod, Tie
3	532121748	Washer 25/32 x 1-5/8 x 16 Ga.	13	532137061	Spindle, L.H. Asm.
4	532124937	Nyliner	14	874011056	Bolt Hex 5/1-11 x 3-1/2
5	532142033	Axle, Front	15	873901000	Nut, Lock Flange 5/8-11
6	532124931	Bearing, Thrust	16	532110438	Spacer, Bearing Axle
7	532137062	Spindle, R.H. Asm.	17	532124836	Fitting, Grease
8	532121749	Washer 25/32 x 1-1/4 x 16 Ga.	18	819272016	Washer 27/32 x 1-1/4 x 16 Ga.
9	876020412	Pin, Cotter 1/8 x 3/4			
10	819131316	Washer 13/32 x 13/16 x 16 Ga.			

HARDWARE SHOWN LARGER FOR EASIER IDENTIFICATION

REPAIR PARTS

11 HP 36" TRACTOR - MODEL NO. LR111 (954001212A)

GROUND DRIVE



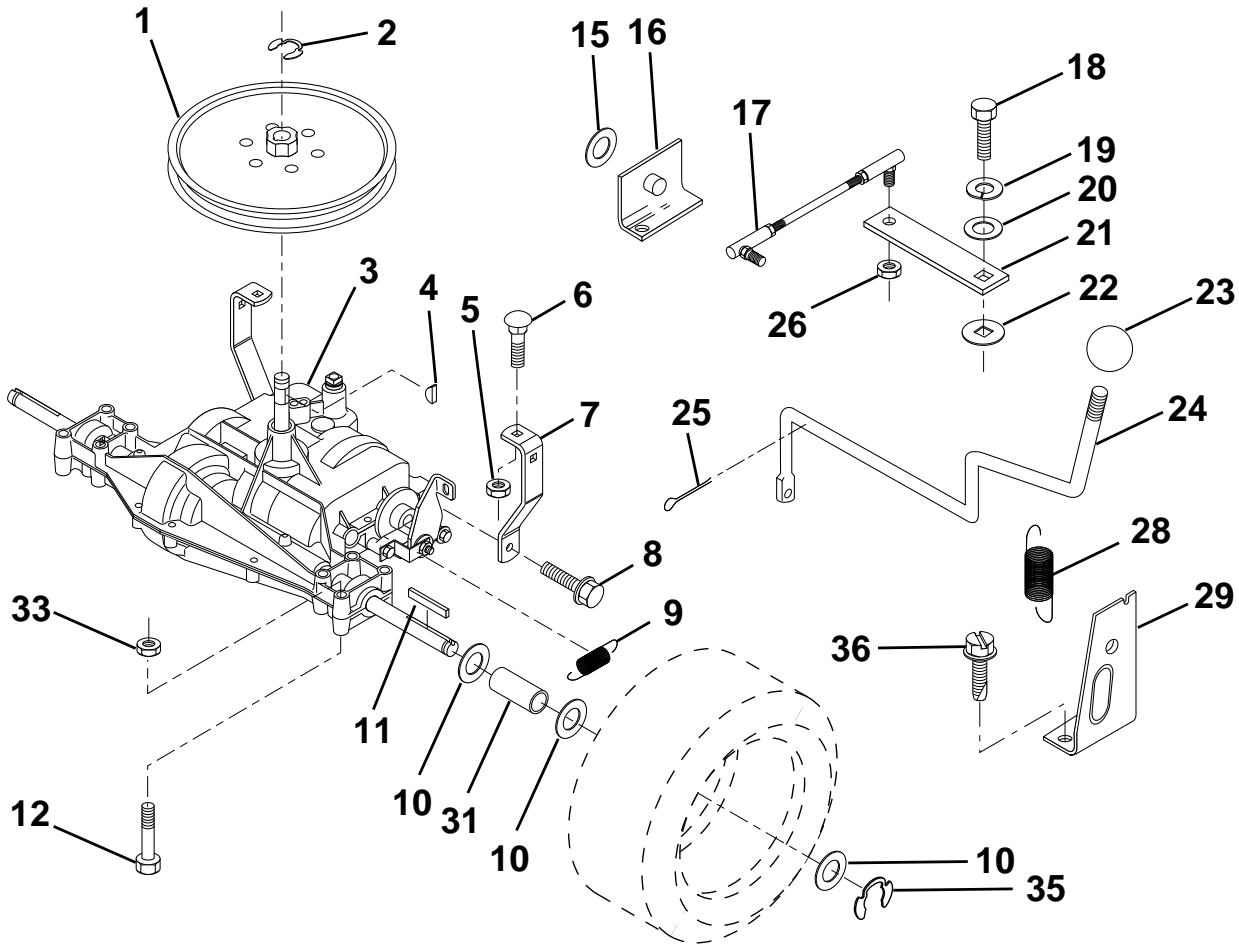
KEY NO.	PART NO.	DESCRIPTION	KEY NO.	PART NO.	DESCRIPTION
1	873680500	Nut, Crownlock 5/16-18	13	819131316	Washer 13/32 x 13/16 x 16 Ga.
2	874760512	Bolt, Hex Hd 5/16-18 UNC x 3/4	14	873930600	Nut, Centerlock 3/8-16 UNC
3	532141342	Keeper, Mower Drive, R. H.	15	873680600	Nut, Crownlock 3/8-16 UNC
4	532138029	Pulley, Engine	16	532126471	Clip, Insulated
5	810040700	Washer, Lock 7/16	17	532122052	Spacer, Retainer
6	871170744	Bolt Hex 7/16-20 Gr. 5	18	532131459	Spring Extension
7	532124525	Traction, V-Belt Drive	19	873510500	Nut, Keps 5/16-18 UNC
8	532123405	Keeper, T/A Ground Drive Belt	20	532139919	Keeper, T/A Ground Drive Belt
9	872140612	Bolt, Carr. 3/8-16 UNC x 1-1/2	21	819111016	Washer 11/32 x 5/8 x 16 Ga.
10	532123396	Keeper, Belt Ground Drive Idler	22	532123404	Keeper, Frame Ground Drive Belt
11	532140911	Arm, Ground Drive Clutch	23	532140916	Keeper, Mower Drive, L. H.
12	532123674	Idler, Flat	24	817720408	Screw, Thd. Cut 1/4-20 x 1/2

HARDWARE SHOWN LARGER FOR EASIER IDENTIFICATION

REPAIR PARTS

11 HP 36" TRACTOR - MODEL NO. LR111 (954001212A)

TRANSAXLE



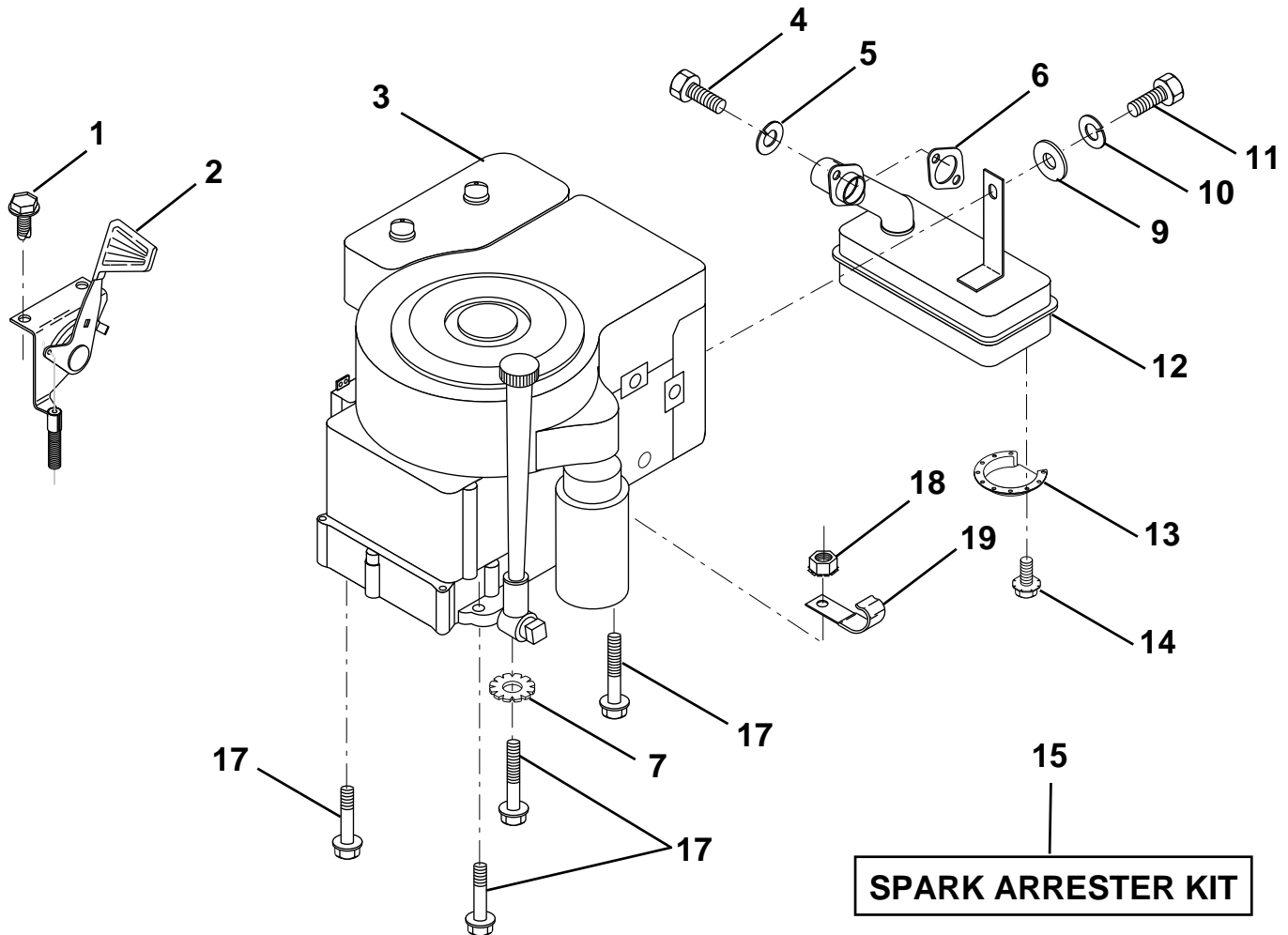
KEY NO.	PART NO.	DESCRIPTION	KEY NO.	PART NO.	DESCRIPTION
1	532123385	Pulley	18	871040412	Bolt, Fin Hex 1/4-28 UNF x 3/4 Gr. 8
2	812000028	Ring, Retainer	19	810040400	Washer, Lock 1/4
3	-----	Transaxle, Dana 4 Spd. Model No. 4360-77	20	819091210	Washer 9/32 x 3/4 x 10 Ga.
4	532125096	Key, Woodruff #9	21	532123484	Arm, Shift
5	873680500	Nut, Crownlock 5/16-18	22	532105701	Washer, Shift Plate
6	872140506	Bolt, Carriage 5/16-18 UNC x 3/4	23	532106933	Knob, Rd 1/2-13
7	532123378	Strap, Torque	24	532128215	Rod Shift
8	817490512	Screw 5/16-18 x 3/4	25	876020416	Pin, Cotter 1/8 x 1
9	532110422	Spring, Brake	26	873810500	Locknut 5/16-24 UNF
10	532121749	Washer 25/32 x 1-1/4 x 16 Ga.	28	532128085	Extension, Spring
11	532123583	Key, Square	29	532128084	Support Handle Shift RH
12	874760644	Bolt, Fin Hex 3/8-16 UNC 2-3/4	31	532109502	Spacer Axle
15	819171616	Washer 17/32 x 1 x 16 Ga.	33	873680600	Nut, Crownlock 3/8-16 UNC
16	532124600	Support Handle Shift LH	35	812000001	E-Ring
17	532123632	Link, Shift	36	817720408	Screw, Thd. Cut 1/4-20 x 1/2

HARDWARE SHOWN LARGER FOR EASIER IDENTIFICATION

REPAIR PARTS

11 HP 36" TRACTOR - MODEL NO. LR111 (954001212A)

ENGINE



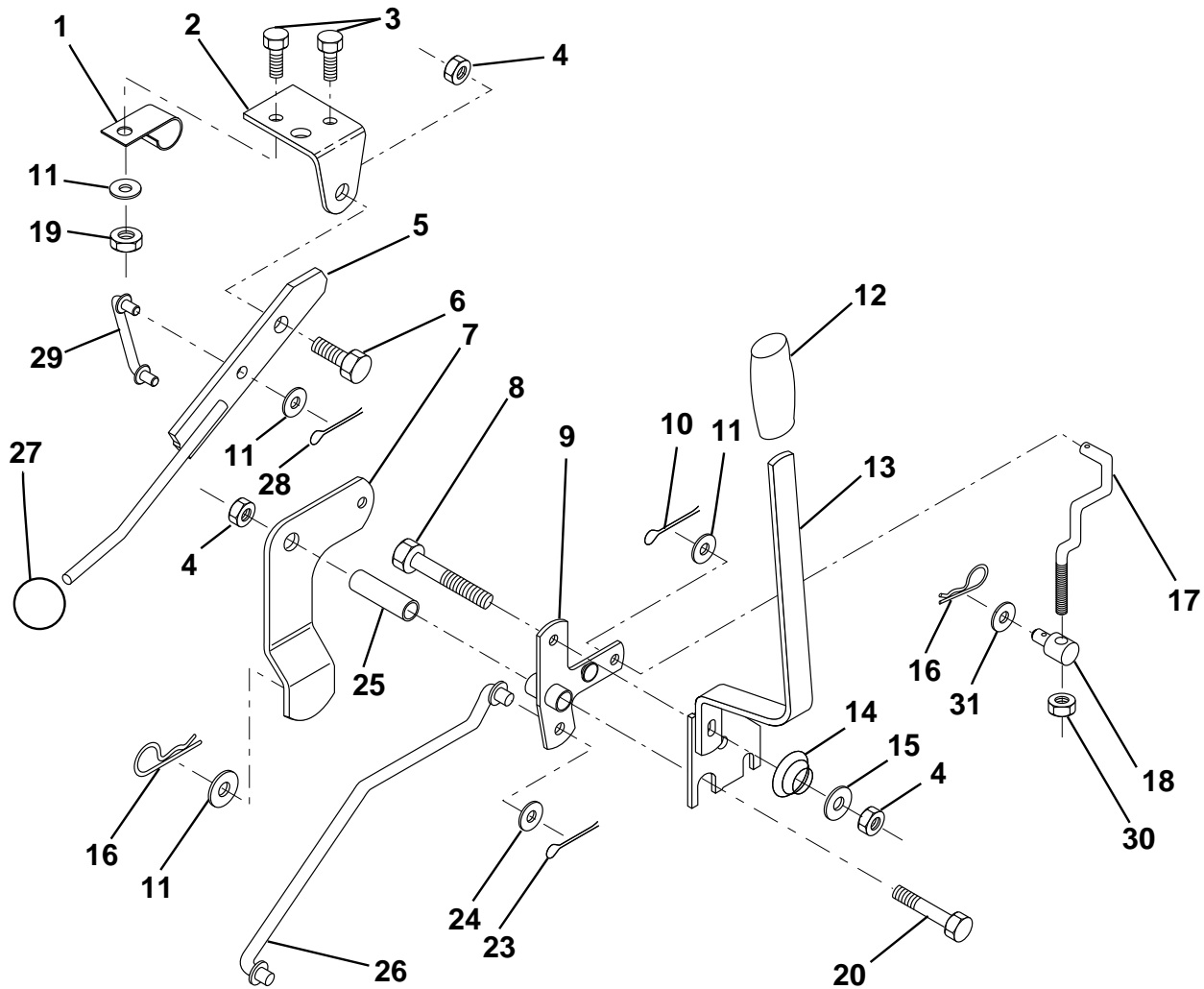
KEY NO.	PART NO.	DESCRIPTION	KEY NO.	PART NO.	DESCRIPTION
1	817060408	Screw, Hex Thd. Cut 1/4-20 x 1/2	11	-----	Bolt, Hex Fin. (Order From Eng. Mfg.)
2	532132752	Control, Throttle	12	532137437	Muffler
3	-----	Engine, Briggs and Stratton Model No. 28C707	13	532144987	Deflector, Muffler
4	871070512	Screw, Hex, Cap 5/16-18 x 3/4	14	817030808	Screw, Spiderloc
5	810040500	Washer, Lock Heavy Helical Spring 5/16	15	532137180	Arrester, Spark (Optional equipment)
6	532125593	Gasket, Exhaust	17	817490624	Screw, Hex Washer Head, Thdrol. 3/8-16 x 1-1/2
7	811050600	Washer Lock Ext. Tooth 3/8	18	873510600	Nut, Keps 3/8-16
9	819101216	Washer 5/16 x 3/4 x 16	19	532124996	Clip, Line Fuel
10	810040400	Washer, Lock Hvy Hcl Spring 1/4			

HARDWARE SHOWN LARGER FOR EASIER IDENTIFICATION

REPAIR PARTS

11 HP 36" TRACTOR - MODEL NO. LR111 (954001212A)

MOWER LIFT LEVER



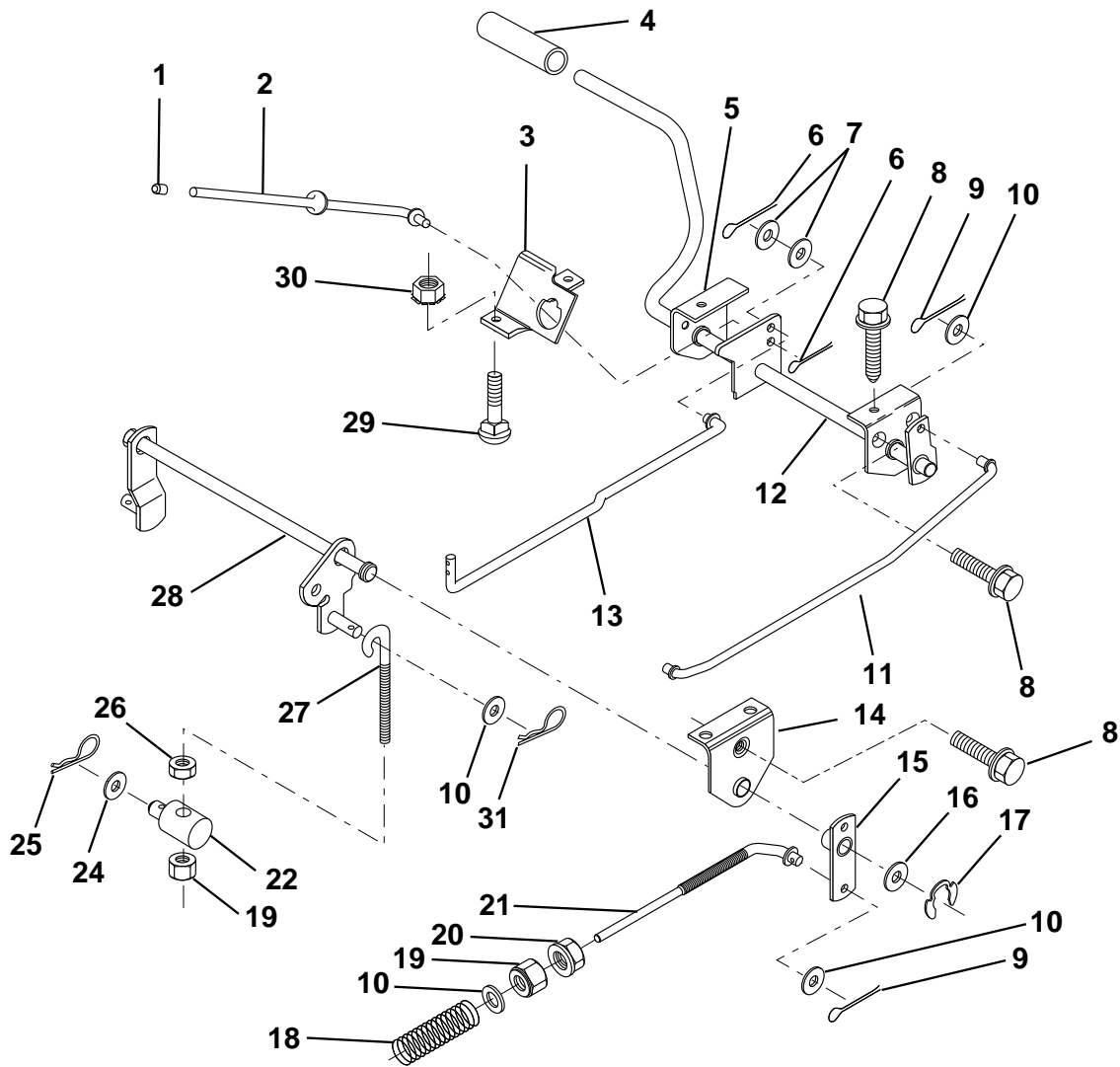
KEY NO.	PART NO.	DESCRIPTION	KEY NO.	PART NO.	DESCRIPTION
1	532126470	Clip, Insulated	16	532124961	Retainer, Spring
2	532122018	Bracket, Mower Clutch	17	532127359	Link, Front Lift
3	871110408	Bolt, Fin. Hex 1/4-20 UNC x 1/2	18	532142028	Trunnion, Threaded 3/8-16
4	873680600	Nut, Crownlock 3/8-16	19	873680400	Nut, Crownlock 1/4-20
5	532123417	Assembly, Clutch Lever	20	874760644	Bolt, Fin. Hex 3/8-16 UNC x 2-3/4
6	532106451	Bolt, Shoulder	23	876020416	Pin, Cotter 1/8 x 1
7	532135371	Assembly, Mower Clutch Arm	24	819171612	Washer 17/32 x 1 x 12 Ga.
8	874760636	Bolt, Hex 3/8-16 UNC x 2-1/4	25	532121933	Tube, Spacer
9	532121930	Assembly, Bellcrank Lift	26	532141470	Rod, Mower Lift
10	876020412	Pin, Cotter 1/8 x 3/4	27	532106932	Knob
11	819131316	Washer 13/32 x 13/16 x 16 Ga.	28	876020312	Pin, Cotter 3/32 x 3/4
12	532131861	Grip, Handle	29	532131655	Link, Mower Clutch
13	532139352	Assembly, Lift Handle	30	873350600	Nut Hex Jam 3/8-16 x 1.30
14	532123496	Spring, Compression	31	819132012	Washer 13/32 x 1-1/4 x 12 Ga.
15	819131212	Washer 13/32 x 3/4 x 12 Ga.			

HARDWARE SHOWN LARGER FOR EASIER IDENTIFICATION

REPAIR PARTS

11 HP 36" TRACTOR - MODEL NO. LR111 (954001212A)

BRAKE / REAR MOWER LIFT ASSEMBLY



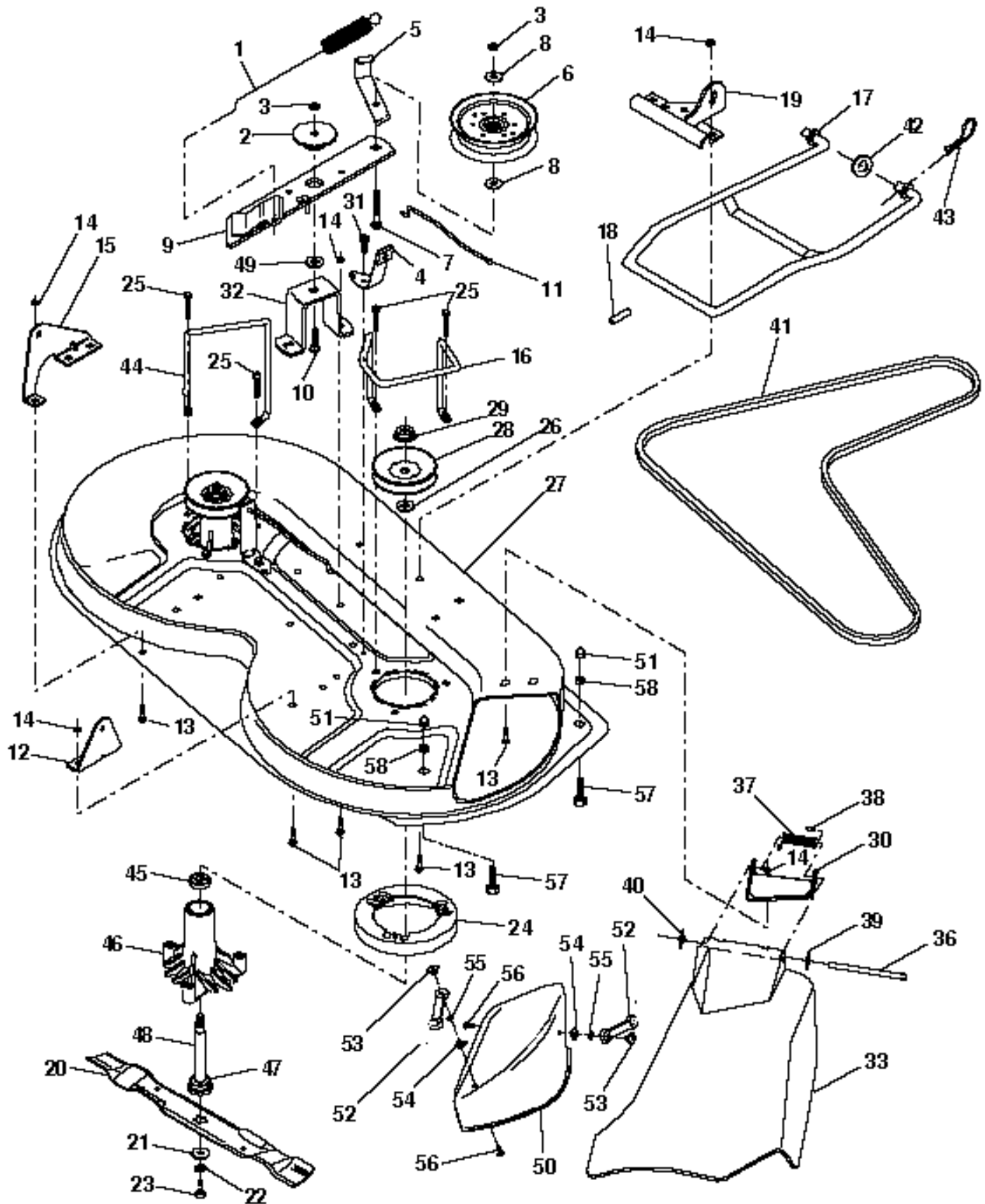
KEY NO.	PART NO.	DESCRIPTION	KEY NO.	PART NO.	DESCRIPTION
1	532071673	Cap, Plunger	15	532133332	Assembly, Brake, Pivot, Arm
2	532123436	Rod, Parking Brake	16	819251816	Washer 25/32 x 1-1/8 x 16 Ga.
3	532123437	Bracket, Parking Brake	17	812000034	Ring, Klip
4	532008156	Cover, Pedal	18	532106888	Spring, Brake Rod
5	532122504	Bracket, Clutch/Brake Pedal, L.H.	19	873680600	Nut, Crownlock 3/8-16 UNC
6	876020312	Pin, Cotter 3/32 x 3/4	20	873350600	Nut, Hex, Jam 3/8-16 UNC
7	819131016	Washer 13/32 x 5/8 x 16 Ga.	21	532131460	Rod, Rear Brake
8	817490508	Screw, Hex, Thd. Roll. 5/16-18 x 1/2	22	532144585	Trunnion, Lift
9	876020412	Pin, Cotter 1/8 x 3/4	24	819132012	Washer 13/32 x 1-1/4 x 12 Ga.
10	819131316	Washer 13/32 x 13/16 x 16 Ga.	25	532124961	Spring, Retainer
11	532123543	Rod, Brake Front	26	873930600	Nut, Centerlock 3/8-16 UNC
12	532139933	Assembly, Clutch/Brake Pedal	27	532127369	Link, Threaded
13	532123394	Rod, Clutch	28	532140776	Assembly, Rear Mower Lift
14	532121978	Bracket, Lift, Shaft	29	872110506	Bolt, Carriage 5/16-18 UNC x 3/4
			30	873510500	Nut, Keps 5/16-16 UNC
			31	532124660	Retainer, Spring

HARDWARE SHOWN LARGER FOR EASIER IDENTIFICATION

REPAIR PARTS

11 HP 36" TRACTOR - MODEL NO. LR111 (954001212A)

MOWER DECK



REPAIR PARTS

11 HP 36" TRACTOR - MODEL NO. LR111 (954001212A)

MOWER DECK

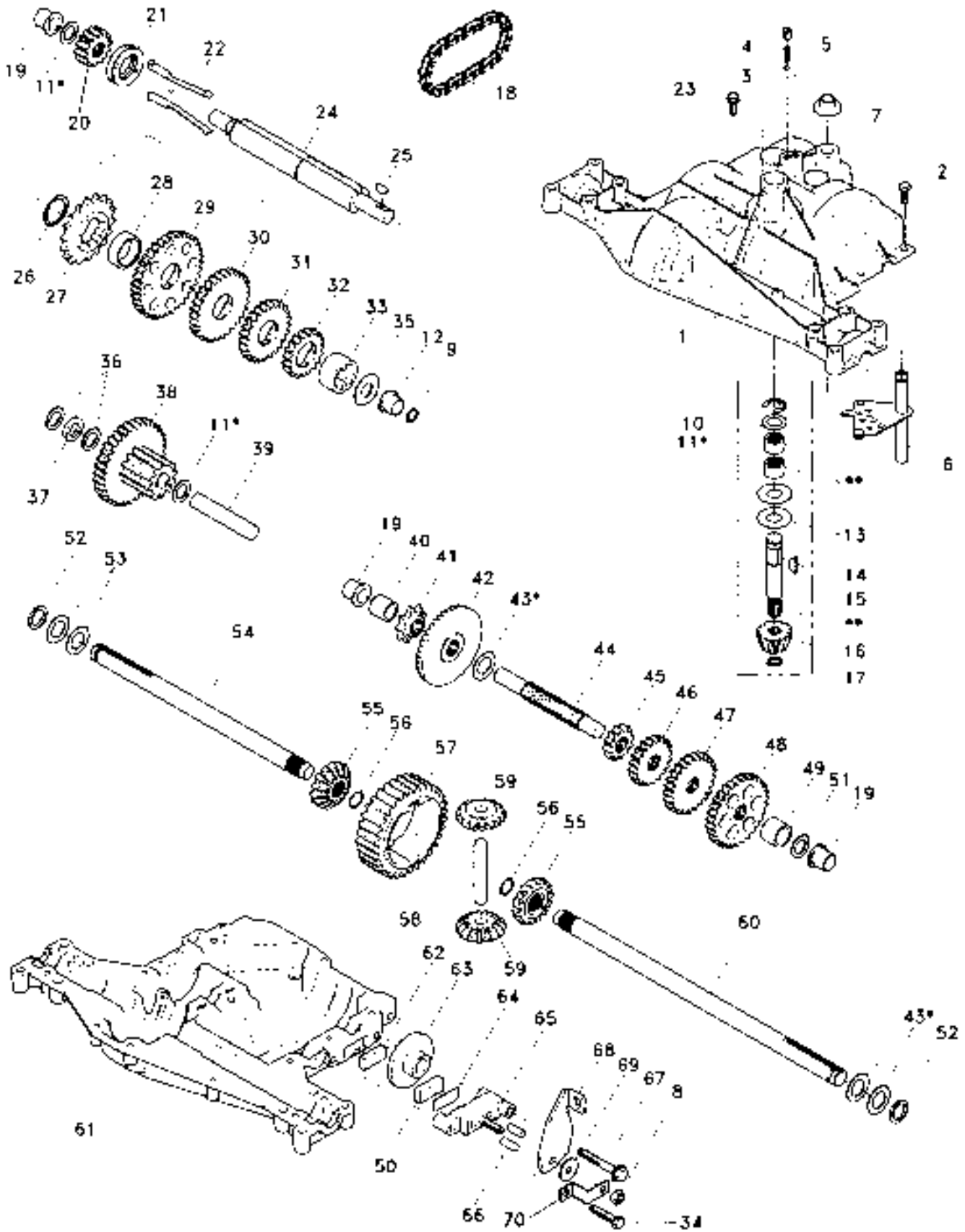
KEY NO.	PART NO.	DESCRIPTION	KEY NO.	PART NO.	DESCRIPTION
1	532140064	Spring, Mower Clutch	31	817490508	Screw, Hex Wsh. Thdrol. 5/16-18 x 1/2
2	532122052	Spacer, Retainer	32	532122051	Arm, Support Idler Mower
3	873680600	Nut, Crownlock 3/8-16	33	532131560	Deflector
4	532130840	Brake Asm.	36	532121980	Rod, Hinge
5	532131251	Guide, Belt Idler	37	532123713	Spring, Torsion Deflector
6	532121316	Pulley, Flat Idler	38	532105304	Cap, Sleeve
7	872110616	Bolt, Carr. 3/8-16 x 1-3/4 Gr. 5	39	819111016	Washer 11/32 x 5/8 x 16 Ga.
8	819131410	Washer 13/21 x 7/8 x 10 Ga.	40	532110452	Pushnut
9	532127744	Arm Asm., Idler Mower	41	532131264	V-Belt
10	872140610	Bolt, Carriage 3/8-16 x 1-1/4	42	819171616	Washer 11/32 x 5/8 16 Ga.
11	532130841	Rod, Brake	43	532124660	Retainer, Spring
12	532127356	Bracket, Lift R. H. Rear	44	532140608	Keeper, L. H.
13	872140506	Bolt, Carriage 5/16-18 x 3/4	45	532110485	Bearing
14	873680500	Nut, Crownlock 5/16-18	46	532128774	Housing Mandrel Vented
15	532127357	Bracket, Lift L. H. Rear	47	532129895	Bearing
16	532140093	Keeper, R. H.	48	532137645	Shaft, Mandrel (Includes Key # 47)
17	532128508	Link, Asm. Mower Stabilizer	49	532133943	Washer, Hardened
18	532128511	Pin, Drive	50	532140102	Mulcher Plate
19	532127380	Bracket, Asm. Front	51	532133841	Acorn Nut 5/16-18
20	532140101	Blade Mulching	52	532130758	Latch Hook
21	532140296	Washer, Hard	53	532125004	Nut, Weld
22	810030600	Washer, Lock 3/8	54	819061216	Washer #10
23	532850857	Bolt 3/8-24 x 1-1/4 Gr. 8	55	810071000	Washer, Lock #10
24	532140329	Stripper	56	871161010	Screw
25	532138776	Screw Thdrol Hex Hd	57	874930516	Bolt, Hex 5/16-18 x 1
26	532129963	Washer .150 Thk.	58	532063124	Locknut 5/16-18
27	532129983	Deck Assembly	--	532130794	Mandrel Asm. (Includes Key No.'s 22-23, 26, 29 and 45-48)
28	532129207	Pulley, Mandrel	--	532140979	Deck, Mower Complete (Std. Deck - Order mulcher plate componenets separately)
29	532137266	Nut, Flangelock 9/16			
30	532136631	Bracket, Asm. Deflector			

HARDWARE SHOWN LARGER FOR EASIER IDENTIFICATION

REPAIR PARTS

11 HP 36" TRACTOR - MODEL NO. LR111 (954001212A)

DANA TRANSAXLE MODEL NUMBER 4360-77



REPAIR PARTS

11 HP 36" TRACTOR - MODEL NO. LR111 (954001212A)

DANA TRANSAXLE MODEL NUMBER 4360-77

KEY PART NO. NO.	DESCRIPTION	KEY PART NO. NO.	DESCRIPTION
1	532142671 Housing, Upper	39	532124639 Shaft, Idler
2	532002274 Screw, Self-Tapping, Large 1/4-20 x .734	40	532120472 Spacer .635 x .875 x .755
3	532134400 Ball, Detent	41	532105928 Sprocket, 9 Teeth
4	532105904 Spring, Detent	42	532110084 Gear, Bevel, 42 Teeth
5	532105905 Screw, Set	43	532134394 * Assembly, Kit, Shim .750 Shaft
6	532138235 Kit, Shifter Assembly	44	532120473 Shaft, Drive
7	532134399 Boot, Shifter	45	532142678 Gear, Spur, 12 Teeth
8	873810500 Locknut 5/16-24	46	532120407 Gear, Spur, 20 Teeth
9	532143045 Seal, Oil	47	532106589 Gear, Spur, 25 Teeth
10	532142672 Ring, Retaining	48	532105937 Gear, Spur, 31 Teeth
11	532134793 * Assembly, Kit, Shim .625 Shaft	49	532120523 Spacer .781 x 1.00 x .750
12	532143051 Bearing, Flange	50	532120951 Puck, Friction
13	532120415 Washer, Plain .632 x 1.38 x .046	51	532002226 Washer, Plain .632 x 1.00 x .060
14	532142674 Key, Woodruff, #9	52	532134401 Washer, Neoprene
15	532138234 Assembly, Kit, Input Shaft	53	532002264 Washer, Plain .758 x 1.25 x .031
16	532110078 Pinion, Bevel, 14 Teeth	54	532120474 Axle, L.H.
17	532105909 Ring, Retaining	55	532110081 Gear, Miter, 15 Teeth
18	532105910 Chain, 24 Pitches	56	532105941 Ring, Retaining
19	532105911 Bearing, Flange	57	532110071 Gear, Spur, 32 Teeth
20	532142675 Gear, Spur, 14 Teeth	58	532120952 Shaft, Cross
21	532138246 Collar, Clutch	59	532110082 Gear, Miter, 15 Teeth
22	532138236 Assembly, Kit, Clutch Keys	60	532123908 Axle, R.H.
23	532134791 Screw, Self-Tapping, with Sealer	61	532142680 Housing, Lower
24	532142676 Shaft, Intermediate	62	532120961 Puck, Friction
25	532002244 Key, Woodruff, #61	63	532007294 Disc, Brake
26	532105916 Ring, Retaining	64	532108989 Spacer
27	532120470 Sprocket, 18 Teeth	65	532120953 Jaw, Brake
28	532110070 Spacer	66	532120954 Pin, Dowel
29	532142677 Gear, Spur, 37 Teeth	67	532134799 Screw, Self-Tapping, Large 5/16-18 x 2.25
30	532120405 Gear, Spur, 30 Teeth	68	532138244 Lever, Actuating
31	532108980 Gear, Spur, 25 Teeth	69	532108996 Washer, Plain .321 x 1.00 x .055
32	532134796 Gear, Spur, 19 Teeth	70	532120956 Bracket, Anti-Rotation
33	532138239 Spacer 1.133 x 1.50 x .750	71	532120416 Grease
34	532106596 Screw, Self-Tapping, Large 5/16-18 x 1.44		
35	532105925 Washer, Plain .640 x 1.37 x .061		
36	532002232 Washer, Plain .632 x 1.00 x .026		
37	532108978 Spacer .630 x 1.00 x .169		
38	532110079 Assembly, Gear, Combination of 12 Teeth and 35 Teeth		

* Use in combinations to maintain proper clearances

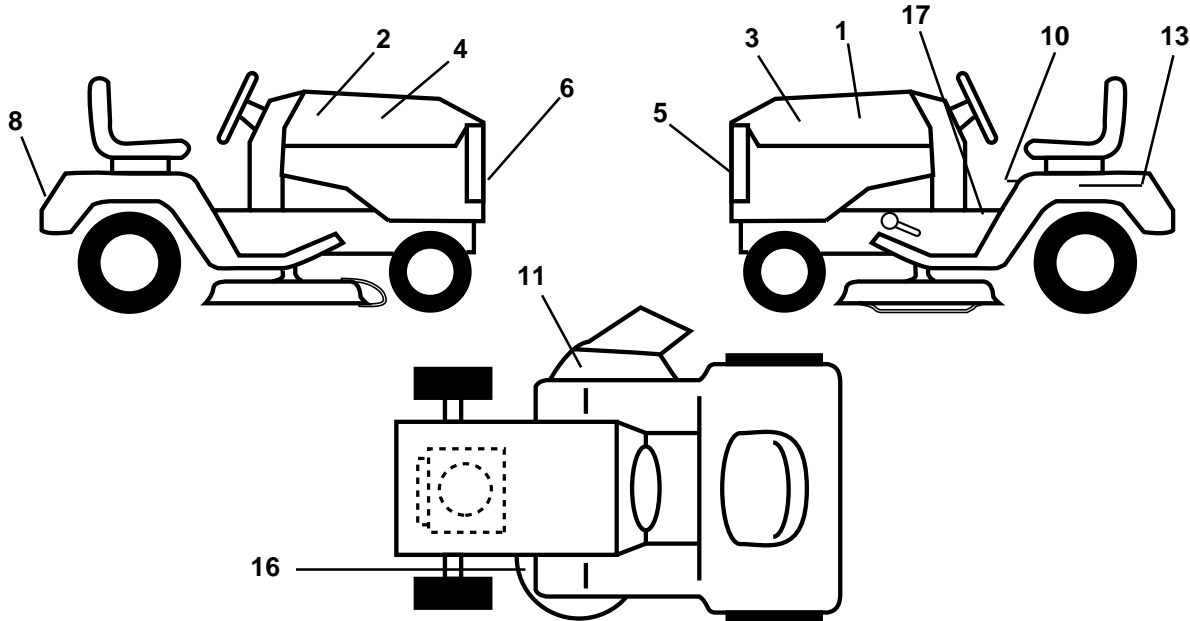
** Order Key No. 15

NOTE: All component dimensions given in U.S. inches
1 inch = 25.4 mm

REPAIR PARTS

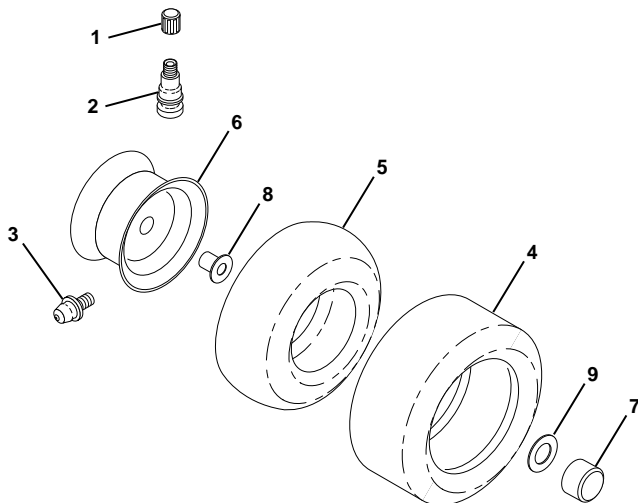
11 HP 36" TRACTOR - MODEL NO. LR111 (954001212A)

DECALS



KEY NO.	PART NO.	DESCRIPTION	KEY NO.	PART NO.	DESCRIPTION
1	532140206	Decal, Hood, L. H., Husqv.	11	532137259	Decal, Warning, Cut Finger, (Multi-Lang)
2	532140205	Decal, Hood, R. H., Husqv.	13	532121549	Decal, Caution, Battery
3	532141304	Decal, Hood, L. H.	16	532136830	Decal, V-Belt Sch.
4	532141303	Decal, Hood, R. H.	17	532138269	Decal, Inst. Oper.
5	532140213	Decal, Logo, Grill	--	532145529	Manual, Owner's (French)
6	532126860	Decal, Lightbox	--	532145528	Manual, Owner's (English)
8	532131582	Decal, Logo, Fender	Available accessories not included with the tractor:		
10	532133795	Decal Caution Fender	--	C36	Grass Catcher
			--	MK360	Mulch Kit

WHEELS & TIRES



KEY NO.	PART NO.	DESCRIPTION
1	532059192	Cap, Valve
2	532065139	Stem, Valve
3	532124957	Fitting, Grease (Front Wheels Only)
4	532123410	Tire, Front
4	532106230	Tire, Rear
5	532059904	Tube, Front (Optional Service Items Only)
5	532008134	Tube, Rear (Optional Service Items Only)
6	532140298	Rim, Front
6	532140453	Rim, Rear
7	532104757	Cap Axle
8	532124959	Bearing Flange
9	532121748	Washer 25/32 x 1-5/8 x 16 Ga.