



Illustrated Parts List	1993-06
	I9300017

DC-100

(45-01011) Dump Cart



Repair Parts

Ride Mower Accessory

ASSEMBLY INSTRUCTIONS

Contents of Hardware Pack:
(See figure 1)

REF.	DESCRIPTION	MODEL NO. AND QUANTITY	
		45-01011	
A	Pin, Cotter 1/8 x 1" Long	2	
B	Pin, Cotter 1/8" x 1-1/2" Long	0	
C	Washer, Flat 25/32 I.D.	4	
D	Washer, Flat 1.032 I.D.	0	
E	Hub Cap	2	
F	Hex Bolt 1/4 x 1/2" Long	23	
G	Hex Bolt 1/4 x 5/8" Long	6	
H	Hex Bolt 1/4 x 3/4" Long	6	
I	Hex Bolt 1/4 x 1-1/2" Long	2	
J	Hex Bolt 1/4 x 1-3/4" Long	0	
K	Lock Washer 1/4" I.D.	37	
L	Hex Nut 1/4" Thread	37	
M	Lock Washer 3/8" I.D.	2	
N	Hex Nut 3/8" Thread	2	
O	Slotted Truss Head Bolt 5/16" x 1/4" Long	14	
P	Lockwasher 5/16" I.D.	14	
Q	Hex Nut 5/16" Thread	14	
R	Hex Bolt 3/8" x 1" Long	2	

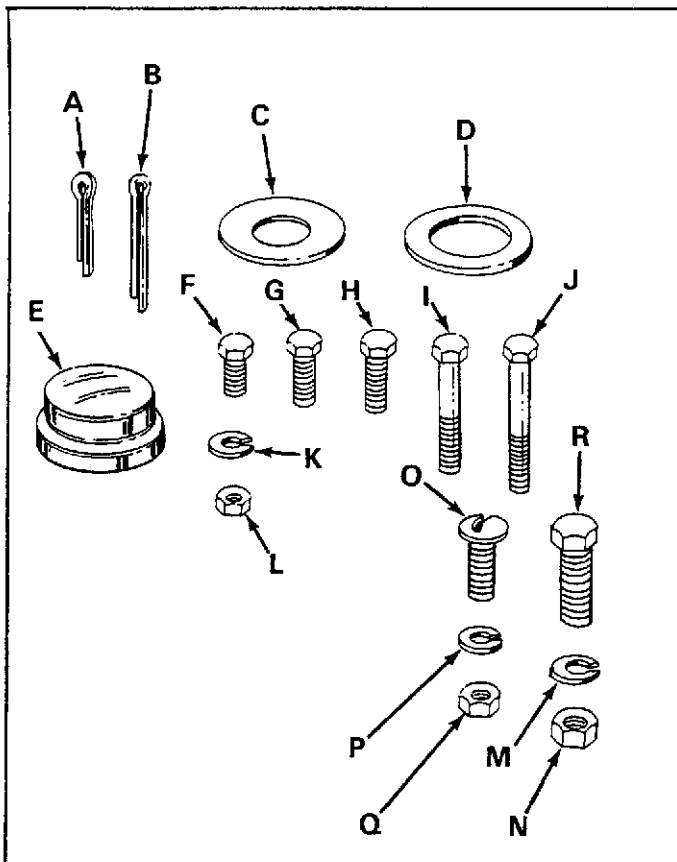


FIGURE 1.

IDENTIFICATION OF LOOSE PARTS (See figure 2)

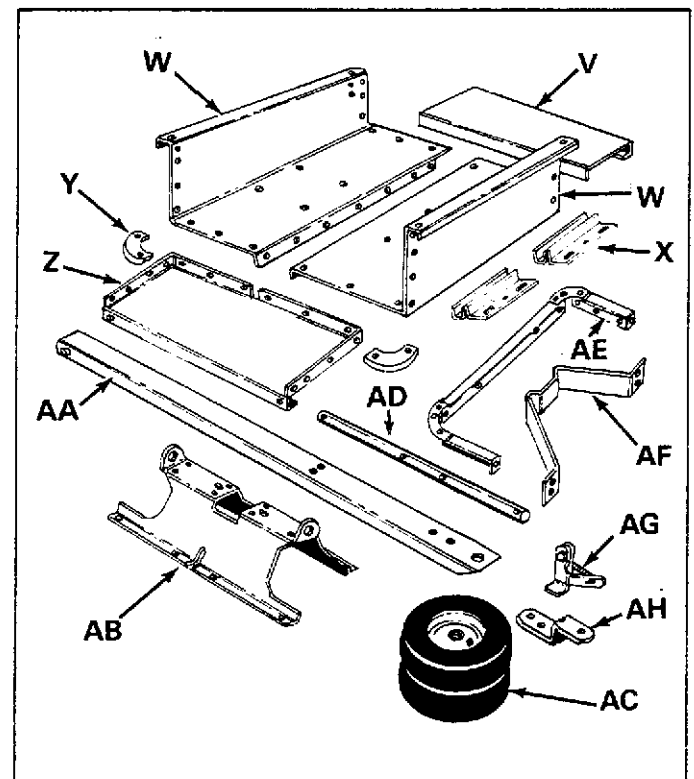
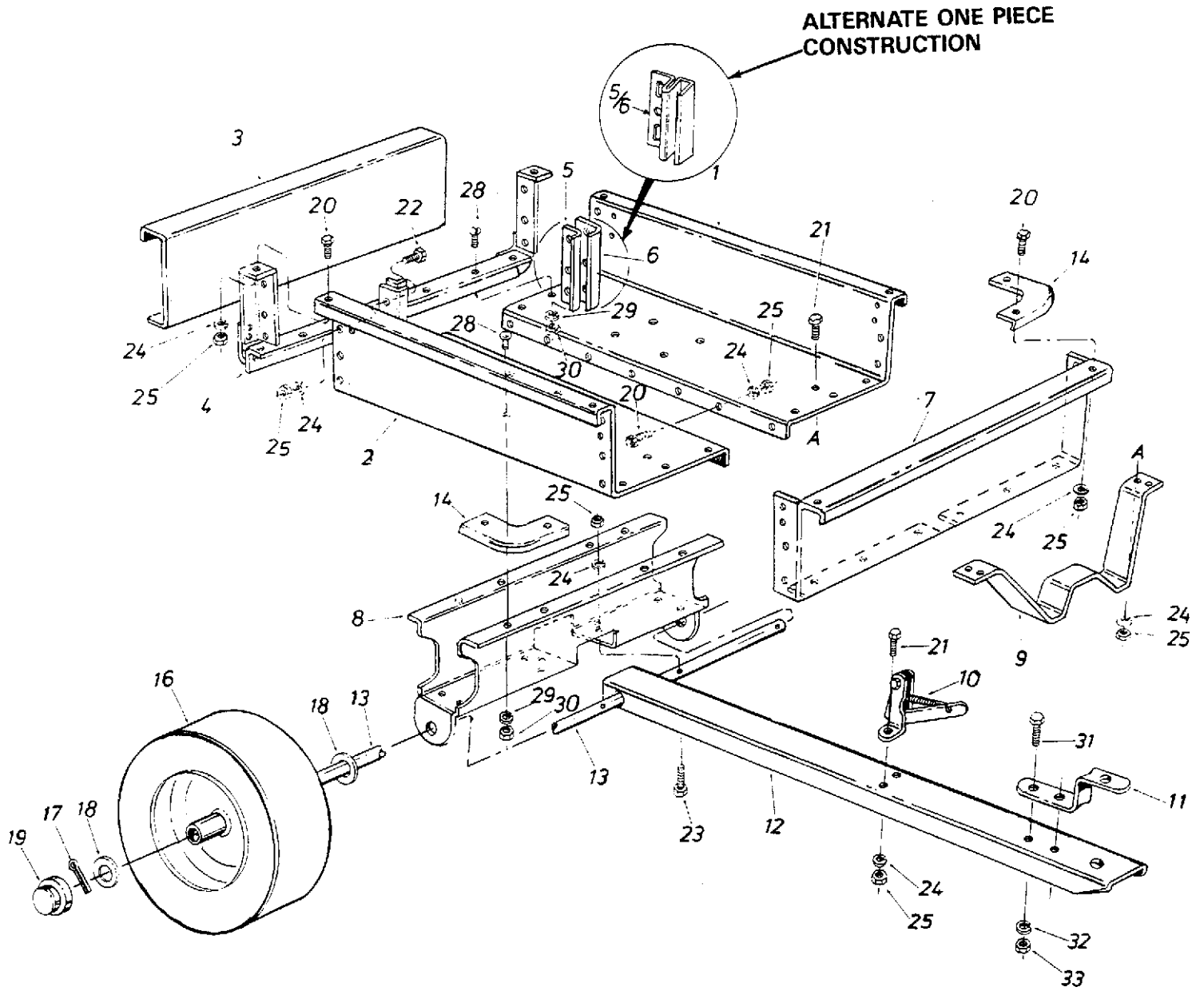


FIGURE 2.

For Husqvarna Parts Call 606-678-9623 or 606-561-4983

**REPAIR PARTS FOR: UTILITY CARTS MODEL No. 45-01011,
DC 100**



PARTS LIST FOR UTILITY CARTS

REF. NO.	DESCRIPTION	PART NO.	MODEL NO. AND QUANTITY	
			45-01011	
1	Cart Body	23985	2	
	Cart Body	23987	-----	
	Cart Body	23984	-----	
3	Tailgate	23502	1	
	Tailgate	23503	-----	
	Tailgate	23504	-----	
4	Sub-Ass'y., Rear Angle	62458	1	
	Sub-Ass'y., Rear Angle	62457	-----	
5	Guide, Tailgate — Inside	23547	2	
	Guide, Tailgate — Inside	23549	-----	
5/6	Guide, Tailgate — One Piece	23767	2	
6	Guide, Tailgate — Outside	23486	2	
	Guide, Tailgate — Outside	23548	-----	
7	Front Panel	23492	1	
	Front Panel	23493	-----	
	Front Panel	23490	-----	
8	Wheel Support	23506	1	
	Wheel Support	23507	-----	
	Wheel Support	23487	-----	
9	Latch Stand Bracket	23095	1	
	Latch Stand Bracket	23297	-----	
10	Ass'y. Latch Lock	62455	1	
11	Hitch Bracket	23014	1	
12	Draw Bar Tongue	23986	1	
	Draw Bar Tongue	23988	-----	
	Draw Bar Tongue	23989	-----	
13	Wheel Axle 3/4" Dia.	23026	1	
	Wheel Axle 1" Dia.	23299	-----	
	Wheel Axle 1" Dia.	23488	-----	
14	Cap, Front Corner	23484	2	
16	Wheel, 4.30 x 3.75	43008	2	
	Wheel, 16/6.50 x 8.00	43594	-----	
17	Cotter Pin 1/8" Dia. x 1" Lg.	43010	2	
	Cotter Pin 1/8" Dia. x 1-1/2" Lg.	43093	-----	
18	Washer, Flat 25/32" I.D.	43009	4	
	Washer, Flat 1.032" I.D.	43601	-----	
19	Hub Cap	43014	2	
20	Hex Bolt 1/4" x 1/2" Lg.	43175	23	
21	Hex Bolt 1/4" x 5/8" Lg.	43866	6	
22	Hex Bolt 1/4" x 3/4" Lg.	43012	6	
23	Hex Bolt 1/4" x 1-1/2" Lg.	43648	2	
	Hex Bolt 1/4" x 1-3/4" Lg.	1509-69	-----	
24	Lock Washer 1/4" I.D.	43177	37	
25	Hex Nut 1/4" Thread	43178	37	
28	Slotted Truss Head Bolt 5/16" x 3/4" Lg.	43814	14	
29	Lock Washer 5/16" I.D.	43086	14	
30	Hex Nut 5/16" Thread	43083	14	
31	Hex Bolt 3/8" x 1" Lg.	43001	2	
32	Lock Washer 3/8" I.D.	43003	2	
33	Hex Nut 3/8" Thread	43015	2	
	Owner's Manual	46084	1	