

Illustrated Parts List

TS 20

8 H.P. 30" (76,2 cm)

SLEEVE HITCH

TILLER ATTACHMENT

MODEL NUMBER TS200ER

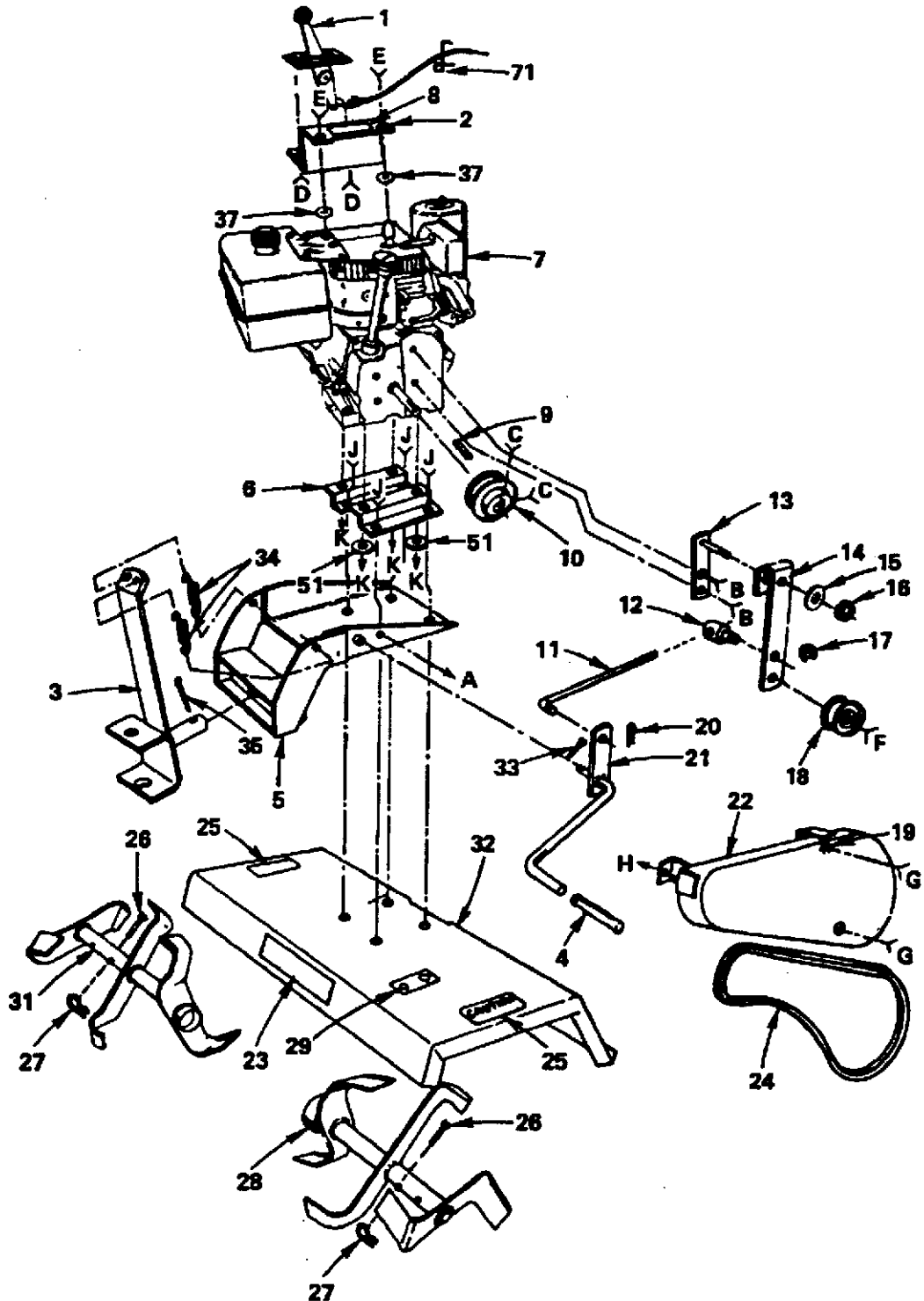


American Yard Products Inc.

S.C. HWY. 33, AND OLD CAMERON ROAD
P.O. BOX 1687
ORANGEBURG, SC 29116

For Husqvarna Parts Call 606-678-9623 or 606-561-4983
REPAIR PARTS

8 HP TILLER ATTACHMENT -- MODEL NUMBER TS200ER
ENGINE AND TINES



- | | | | | | | | | | |
|----------|----------|----------|----------|----------|----------|----------|----------|----------|----------|
| A | B | C | D | E | F | G | H | J | K |
| | | | | | | | | | |
| | | | | | | | | | |
| | | | | | | | | | |
| | | | | | | | | | |

REPAIR PARTS

8 HP TILLER ATTACHMENT - - MODEL NUMBER TS200ER

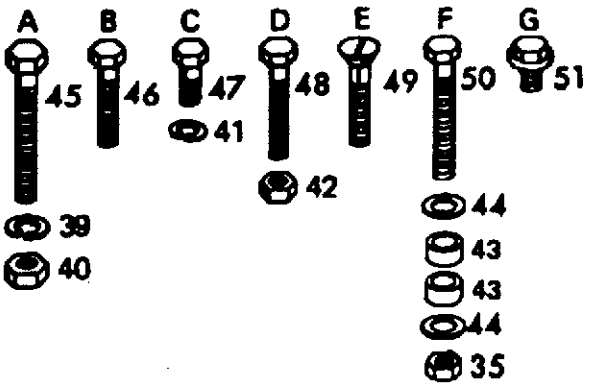
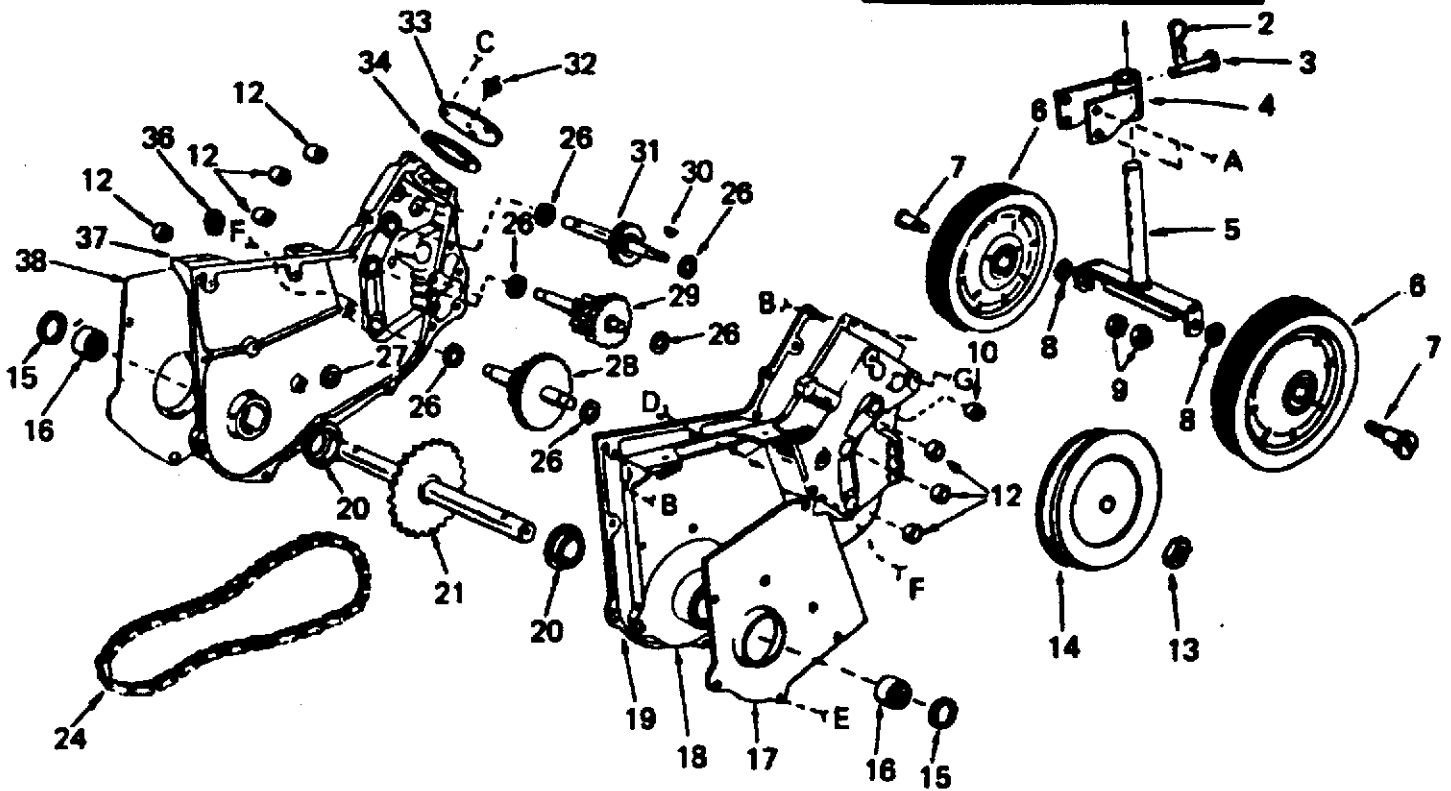
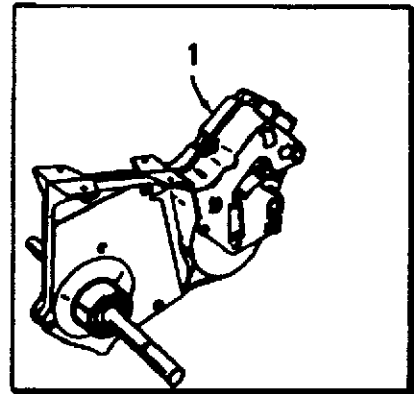
ENGINE AND TINES

KEY NO.	PART NO.	DESCRIPTION	KEY NO.	PART NO.	DESCRIPTION
1	124533X	Control Throttle	34	8905R	Spring
2	6924J	Bracket, Throttle Control	35	76020824	Cotter Pin 1/4 x 1-1/2
3	677A860	Hitch Yoke Assembly	36	74760516	* Bolt, Hex 5/16-18 x 1 Gr. 2
4	4379H	Grip, Handle	37	19131311	Washer 13/32 x 13/16 x 11 Ga.
5	677A855	Hitch Channel Assembly	38	10040600	* Washer Lock, Hvy. Hel. Spring
6	6922R	Plate, Adapter	39	73220600	* Nut, Hex 3/8-16 UNC
7	-----	Engine 8 H.P., Tecumseh	40	74760524	* Bolt, Hex 5/16-18 x 1-1/2 Gr. 2
8	104867X	Decal, Instruction, Engine	41	73220500	* Nut, Hex 5/16-18 UNC
9	4914H	Square Key 1/4 x 1-1/4	42	15760512	Hex Bolt with Sems Ext. Washer Lock 5/16-18 UNC x 3/4
10	8249R	Engine Sheave	43	74760416	* Hex Bolt 1/4-20 x 1
11	6652H	Belt Tightener Link	44	10040400	* Washer Lock 1/4
12	6656H	Adjusting Pin	45	73220400	* Hex Nut 1/4-20 UNC
13	624A12	Idler Support Plate and Pivot	46	74770512	* Hex Bolt 5/16-24 x 3/4
14	2360J	Idler Arm	47	10040500	* Washer Lock 5/16
15	19151116	Washer 15/32 x 11/16 x 16 Ga. (0 - 2 as required)	48	23200506	Hex Socket Set Screw 5/16-18x3/8
16	12000015	* E-Ring	49	74760624	* Hex Bolt 3/8-16 x 1-1/2
17	6683H	E-Ring	50	73350600	* Hex Jam Nut 3/8-16 UNC
18	4933H	Idler Pulley	51	19111116	* Washer 11/32 x 11/16 x 16 Ga.
19	19131414	Washer 13/32 x 7/8 x 14 Ga.	52	11050500	Washer Lock External Tooth 5/16
20	4497H	Clip, Hairpin	67	72250614	Bolt, Carriage 3/8-16 x 1-3/4
21	626A430	Lever and Arm	69	71091008	Screw
22	634A726	Belt Guard and Supports	70	73731000	Nut, Keps #10-24 UNC
23	125702X	Decal, Tine Shield	71	4171R	Clip - Insulated
24	102655X	V-Belt	72	104304X	Decal, Throttle
25	1989J	Decal, Caution	--	136650	Owner's Manual, English
26	4929H	Drilled Pan Hd. Rivet 3/8 x 1-3/4	--	136651	Owner's Manual, French
27	3146R	Clip, Hairpin			
28	626A401	Tine Weldment, L.H.			
29	1986J	Decal, On/Off			
31	626A402	Tine Weldment, R.H.			
32	8224R	Tine Shield			
33	76020516	Cotter Pin 5/32 x 1			

*STANDARD HARDWARE--PURCHASE LOCALLY

NOTE: All component dimensions given in U.S. inches.
1 inch = 25.4 mm.

8 HP TILLER ATTACHMENT - - MODEL NUMBER TS200ER
TRANSMISSION AND GAUGE WHEELS



REPAIR PARTS

8 HP TILLER ATTACHMENT - - MODEL NUMBER TS200ER

TRANSMISSION AND GAUGE WHEELS

KEY NO.	PART NO.	DESCRIPTION	KEY NO.	PART NO.	DESCRIPTION
1	634A562	Transmission	33	6672H	Gear Shift Cover
2	9135R	Retainer Spring	34	4913H	Gasket
3	4929H	Drilled Pan Head Rivet 3/8 x 1-3/4	35	1685H	Locknut 5/16-18 UNC
4	634A61	Gauge Wheel Sleeve and Brackets	36	13060400	Pipe Plug 1/2-14 N.P.T.
5	634A559	Gauge Wheel Adjusting Shaft and Bracket	37	634A554	Gear Case and Bearings R.H. Half (Inc. Key No's. 12, 16 & 20)
6	2557J	Wheel	38	4878H1	Gear Case Shield R.H.
7	4898H	Shoulder Bolt	39	10040600	* Washer Lock 3/8
8	19131311	Washer 13/32 x 13/16 x 11 Ga.	40	73220600	* Hex Nut 3/8-16 UNC
9	73560600	Locknut 3/8-16 UNC Nylock	41	10040500	* Washer Lock, Hvy. Hel. Spring
10	5020J	Needle Bearing	42	73220500	* Hex Nut 5/16-18 UNC
12	4895H	Needle Bearing	43	7850H	Spacer
13	9204H	Locknut 1/2-20 UNF	44	19111116	* Washer 11/32 x 11/16 x 16 Ga.
14	4932H	Input Sheave	45	74760636	* Hex Bolt 3/8-16 x 2-1/4
15	4910H	Oil Seal	46	17860524	Hex Hd. Roll-Lok Thd. Forming Screw 5/16-18 x 1-1/2
16	3039R	Needle Bearing	47	74760512	* Hex Bolt 5/16-18 x 3/4
17	4877H1	Gear Case Shield L.H.	48	74760532	* Hex Bolt 5/16-18 x 2
18	634A553	Gear Case and Bearings L.H. Half (Inc. Key No's. 10,12,16 & 20)	49	20000524	Flat Hd. Slotted Roll-Lok Thd. Forming Screws 5/16-18 x 3/4
19	2601R	Gasket	50	74780596	Hex Bolt 5/16-18 x 6 Gr. 5
20	4870H	Thrust Cap	51	15760512	Screw Mach. Hex Hd. 5/16-18 x 3/4
21	634A555	Tine Shaft and Sprocket			
24	2600R	Roller Chain			
26	1370H	Thrust Washer			
27	4912H	Gasket			
28	634A59	2nd Reduction Shaft and Gears			
29	634A58	1st Reduction Shaft and Gears			
30	9858M1	Woodruff Key 3/16 x 5/8			
31	634A57	Input Shaft and Pinion			
32	5855H	Relief Valve			

*STANDARD HARDWARE--PURCHASE LOCALLY

NOTE: All component dimensions given in U.S. inches.
1 inch = 25.4 mm.