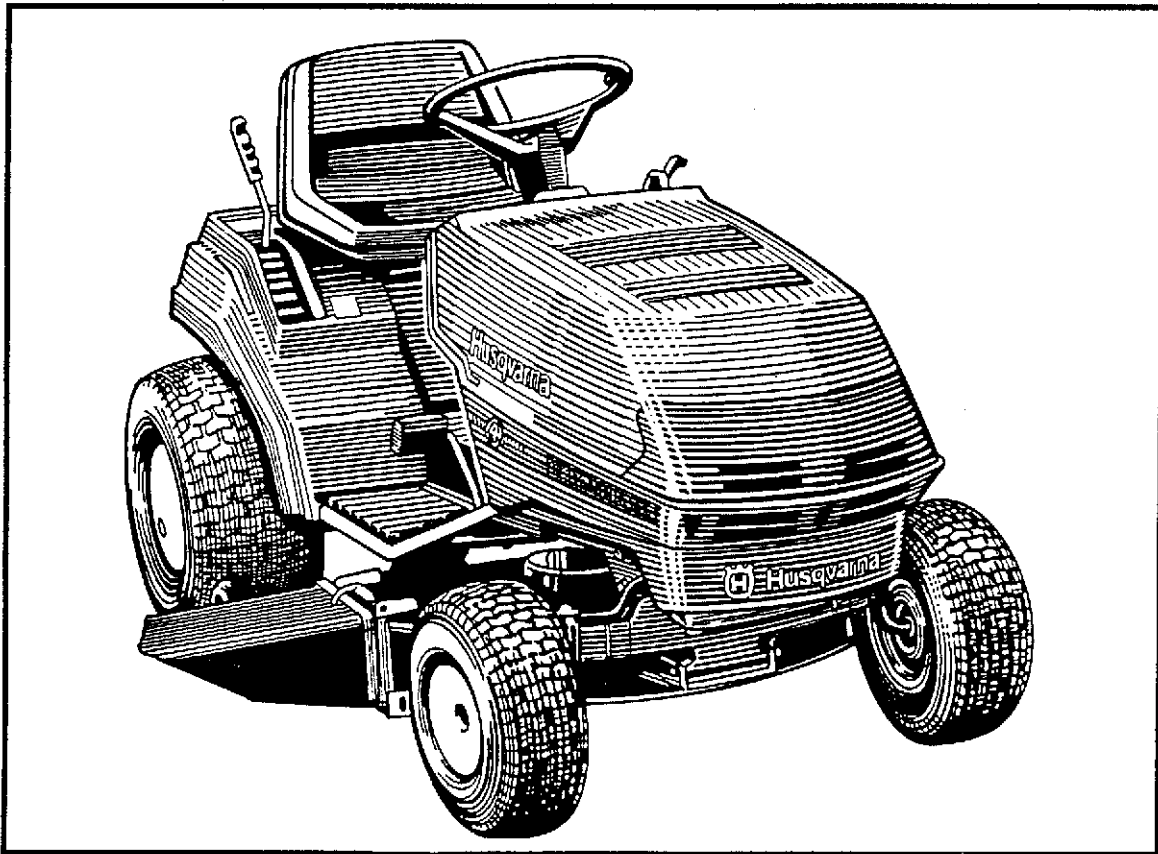


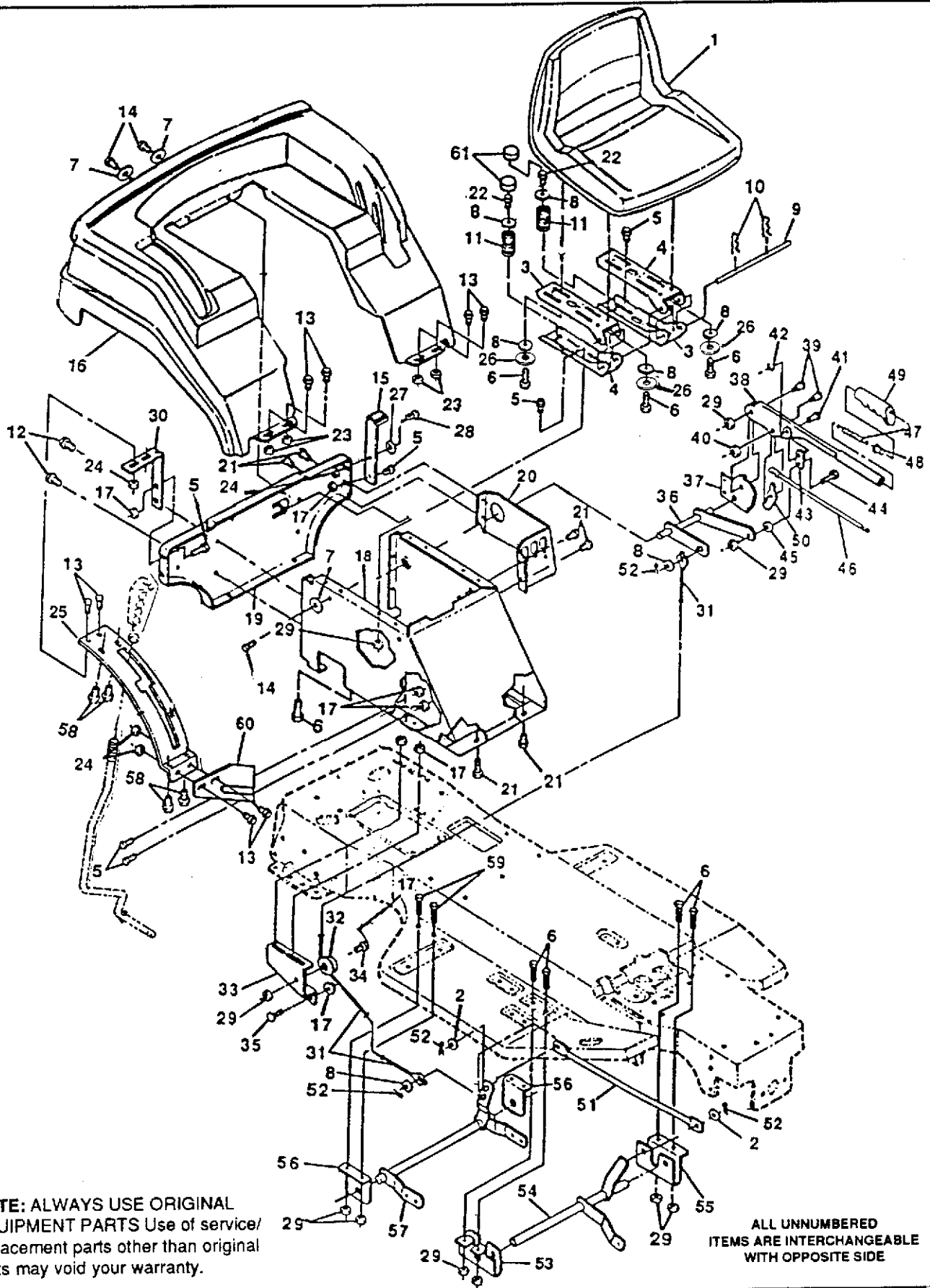
# 4140H



**1.1992**  
**Spare Parts**

**TRACTOR REPAIR PARTS**

**46" TRACTOR MODEL 4140H**



**NOTE: ALWAYS USE ORIGINAL EQUIPMENT PARTS** Use of service/ replacement parts other than original parts may void your warranty.

**ALL UNNUMBERED ITEMS ARE INTERCHANGEABLE WITH OPPOSITE SIDE**

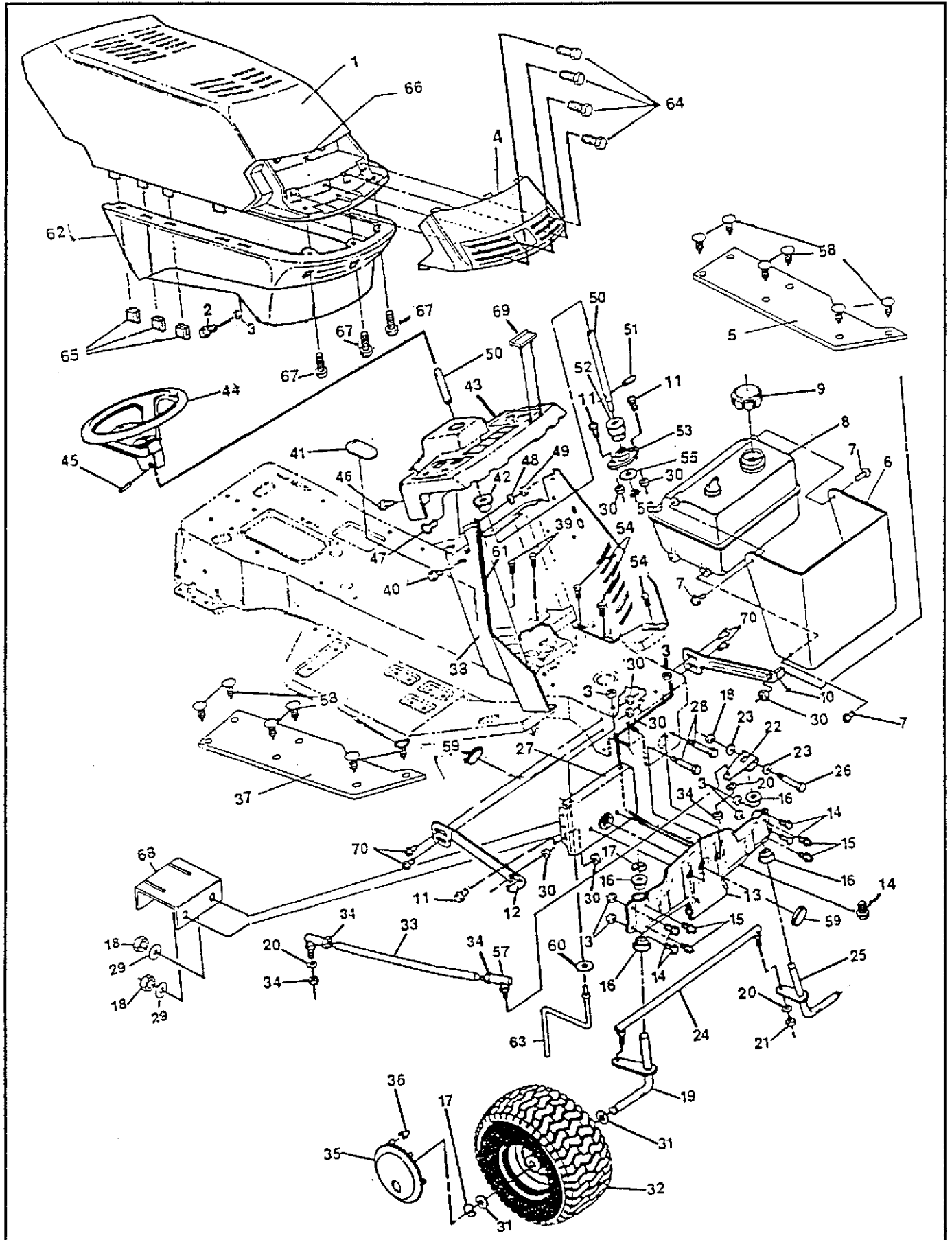
**TRACTOR REPAIR PARTS**

**46" TRACTOR MODEL 4140H**

Key No.	Part No.	Description	Key No.	Part No.	Description
1	6010003-95	Seat	44	6010005-21	Shoulder Bolt, 5/16-18 Thd.
2	6010001-05	Washer, Flat, 13/32 In.12	45	6010005-47	Washer
3	6010008-64	Channel, Seat	46	6010006-43	Actuator Rod
4	6010008-65	Channel, Seat	47	6010006-42	Spring, Height Adjust
5	6010005-97	Screw, Hx Hd, Wd Fl 5/16-18 x 3/4 In.	48	6010006-41	Knob, Height Adjust
6	6010000-28	Screw, Hx Hd, 5/16-18 x 3/4 In.	49	6010002-38	Handle, Lift
7	6010000-03	Washer, Flat, .281 x 1.00 x .063	50	6010001-26	Pawl, Height Adjust
8	6010000-19	Washer, Flat, 11/32 In.	51	6010001-59	Tie Rod
9	6010008-65	Rod, Seat Support	52	6010000-25	Cotter Pin
10	6010005-23	Hair Pin, .073 Dia. x 1.13 In.	53	6010007-16	Bracket, L. H. Front Hanger
11	6010002-62	Seat Spring	54	6010007-21	Assembly, Front Lift Shaft
12	6010005-70	Screw, Tap, 5/16-18 x 7/8 In.	55	6010007-17	Bracket, R. H. Front Hanger
13	6010000-67	Screw, Hx Hd, 1/4-20 x 5/8 In.	56	6010007-20	Bracket, Hanger
14	6010006-67	Screw, Hx, Wshd Hd, Tap 1/4-20 x 5/8 In.	57	6010007-22	Assembly, Rear Lift Shaft
15	6010002-57	Fender Support, L. H.	58	6010001-13	Screw, Hx Hd, Tap # 10 x 1/2 In.
16	6010008-66	Fender	59	6010000-06	Screw, Hx Hd, 5/16-18 x 5/8 In.
17	6010008-67	Nut, Hx, Wd Fl, Lk 5/16-18 Thd.	60	6010002-59	Support, Shift Plate
18	6010008-68	Seat Support	61	6010006-20	Cover, Seat Spring
19	6010008-69	Support, Fender & Seat	62	6010008-70	Operator's Manual (Not Illustrated) English
20	6010001-34	Bracket, Support Engage	63	6010008-71	Operator's Manual (Not Illustrated) French
21	6010005-19	Screw, Hx Wshd Hd Tap, 5/16-18 x 1/2 In.	64	6010008-72	Part's Manual (Not Illustrated) English
22	6010005-43	Screw, 5/16-18 x .63			
23	6010000-62	Nut, Lock, 1/4-20 Thd.			
24	6010005-75	Nut, Hx, Wd Fl Lk, 1/4-20 Thd.			
25	6010007-37	Quadrant			
26	6010000-23	Washer, Split .328x.60x.09			
27	6010000-17	Washer, Flat			
28	6010000-73	Screw, 1/4-20 x .75			
29	6010000-59	Nut, Hx Ctrlk, 5/16-18 Thd.			
30	6010002-58	Fender Support, R. H.			
31	6010001-91	Cable, Deck Lift			
32	6010005-60	Pulley			
33	6010001-93	Assembly, Pulley Bracket			
34	6010002-63	Shoulder Bolt, 5/16-18 Thd.			
35	6010000-52	Bolt, Carriage, 5/16-18 x 5/8 In.			
36	6010001-33	Assembly, Upper Shaft			
37	6010001-60	Quadrant			
38	6010007-47	Lift Lever			
39	6010001-10	Shoulder Bolt, 5/16-18 Thd.			
40	6010005-40	Nut, Hx Wd Fl Lk 5/16-18 Thd.			
41	6010001-15	Clevis Pin			
42	6010001-16	E-Ring			
43	6010001-56	Link			

**TRACTOR REPAIR PARTS**

**46" TRACTOR MODEL 4140H**



**TRACTOR REPAIR PARTS**

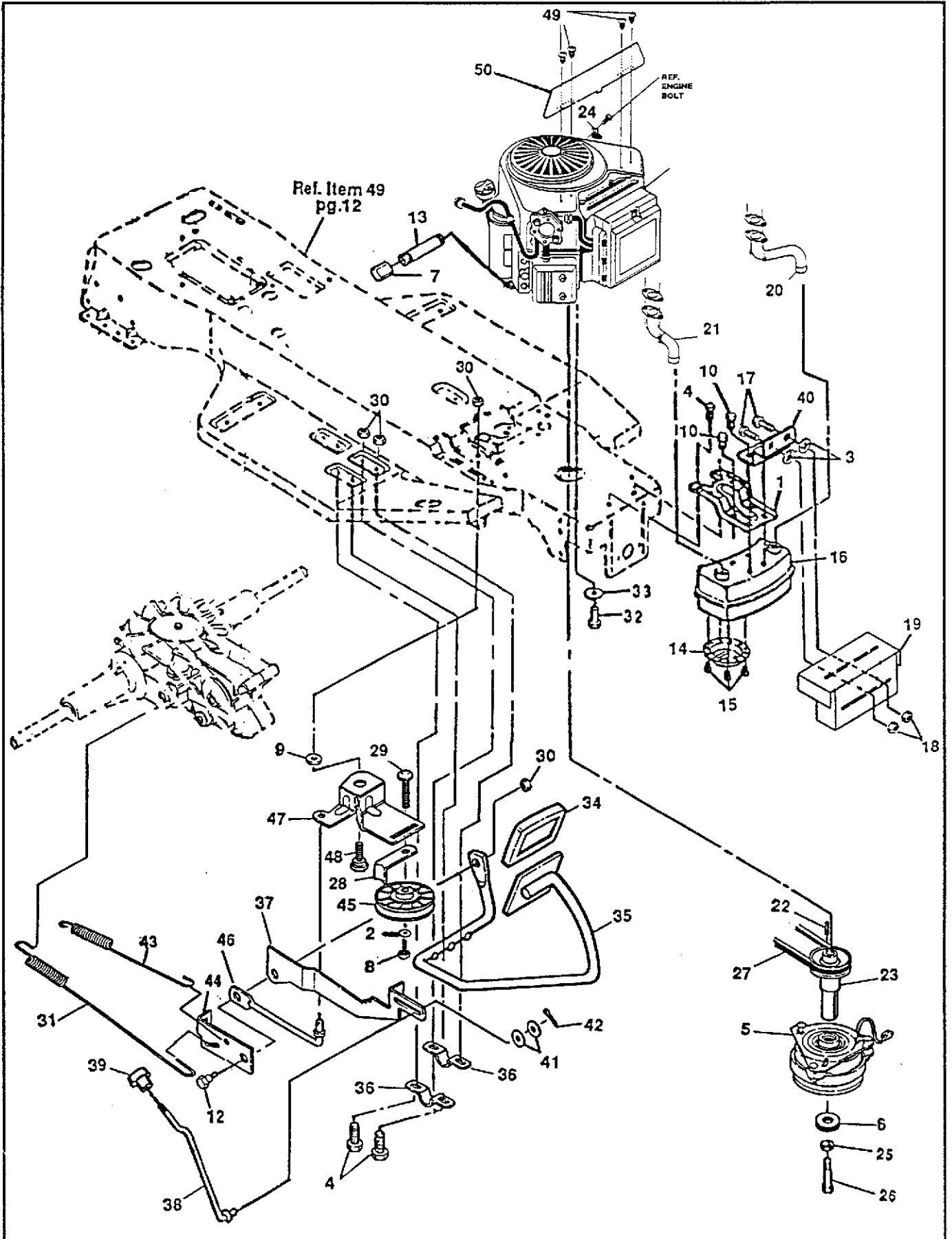
**46" TRACTOR MODEL 4140H**

Key No.	Part No.	Description	Key No.	Part No.	Description
1	6010008-73	Hood	40	6010006-68	Screw, Self-Tap, 1/4-20 x 1/2 In.
2	6010000-99	Shoulder Bolt, 5/16-18 Thd.	41	6010002-47	Cover
3	6010000-59	Nut, Hx, Ctrlk, 5/16-18 Thd.	42	6010001-92	Bushing, Upper Steering
4	6010003-04	Lens, Headlight	43	6010008-78	Dash, Upper
5	6010004-65	Assembly, Foot Pad L. H.	44	6010001-90	Steering Wheel
6	6010007-12	Heat Shield	45	6010005-48	Pin, Spring, 1/4 x 2 In.
7	6010001-14	Screw, Hx Hd, Plastite 1/4 x 3/4	46	6010002-74	Screw, Tap, 1/4-20 x 1/2 In.
8	6010002-72	Tank, Gas 1.5 W/ Sensor	47	6010000-24	Screw, Hx Hd, 1/4-20 x 5/8 In.
	6010002-71	Low Fuel Sensor	48	6010000-18	Washer, Flat, 9/32 In.
9	6010000-49	Cap, Fuel	49	6010000-62	Nut, Hx, Ctrlk, 1/4-20 Thd.
10	6010008-74	Bracket, Hood L. H.	50	6010001-49	Shaft, Steering5-
11	6010005-97	Screw, Hx Hd, Wd Fl 5/16-1 x 3/4 In.	51	6010001-64	Pin, Dowel
12	6010008-75	Bracket, Hood R. H.	52	6010001-51	Pinion, Steering
13	6010008-76	Front Axle W/Bearings & Spindles	53	6010001-63	Bearing, Flange
14	6010000-06	Screw, Hx Hd, 5/16-18 x 5/8 In.	54	6010005-19	Screw, 5/16-18x.50 Wahhtap
15	6010006-51	Grease Fitting	55	6010001-09	Washer, Flat, 1/2 In.
16	6010001-47	Bearing, Spindle	56	6010000-89	E-Ring
17	6010005-25	E-Ring	57	6010006-23	Ball, Joint, 3/8 Thd.
18	6010000-60	Nut, Hx, Ctrlk, 3/8-16 Thd.	58	6010004-06	Ratchet Fastener
19	6010002-55	Spindle, R. H.	59	6010003-07	Plug, Front Axle
20	6010000-15	Washer, Split, Lock 3/8 In.	60	6010000-57	Washer, Internal Tooth
21	6010000-10	Nut, Hex, 3/8-24 Thd.	61	6010005-56	Wide Trim 18"
22	6010001-48	Steering Arm, Upper	62	6010003-02	Grille
23	6010006-70	Washer, Flat, 25/64 In.	63	6010001-22	Belt Guide
24	6010001-19	Assembly, Tie Rod	64	6010004-17	Screw, #4-24 x 1/2 In.
25	6010002-54	Spindle, L.H.	65	6010003-03	Clip, Tinnerman
26	6010000-77	Screw, Hx Hd, 3/8-16 x 2-1/2In.	66	6010003-97	Decal, Reflector
27	6010007-08	Support Bracket, Front Axle	67	6010001-13	Screw, # 10 x 1/2 In.
28	6010000-37	Screw, Hx Hd, 3/8-16 x 3 In.	68	6010007-30	Bracket, Stop
29	6010000-98	Washer, Spring	69	6010008-79	Bumper/Hood
30	6010005-95	Nut, Hx, Wd Fl Lk, 5/16-18 Thd.	70	6010005-91	Screw, Hex Wd Fl, 5/16-18 x 3/4 In.
31	6010006-45	Washer, Flat, 3/4 In.	71	6010000-57	Washer, Internal Tooth
32	^	Wheel & Tire Assembly, Front			
	6010009-47	Tire, 20X20X8			
	6010008-77	Wheel			
	6010000-96	Valve Stem			
	6010004-58	Bearing			
33	6010001-80	Drag Link			
34	6010000-48	Nut, Hx, Jam, 3/8-24 Thd.			
35	6010002-90	Hubcap, Front			
36	6010002-94	Clip, Hubcap			
37	6010004-64	Assembly, Foot Pad R. H.			
38	6010007-00	Dash, Lower			
39	6010005-44	Screw, Tap, 5/16-18 x 3/8 In.			

(^) Order Parts Individually

# TRACTOR REPAIR PARTS

46" TRACTOR MODEL 4140H



**TRACTOR REPAIR PARTS**

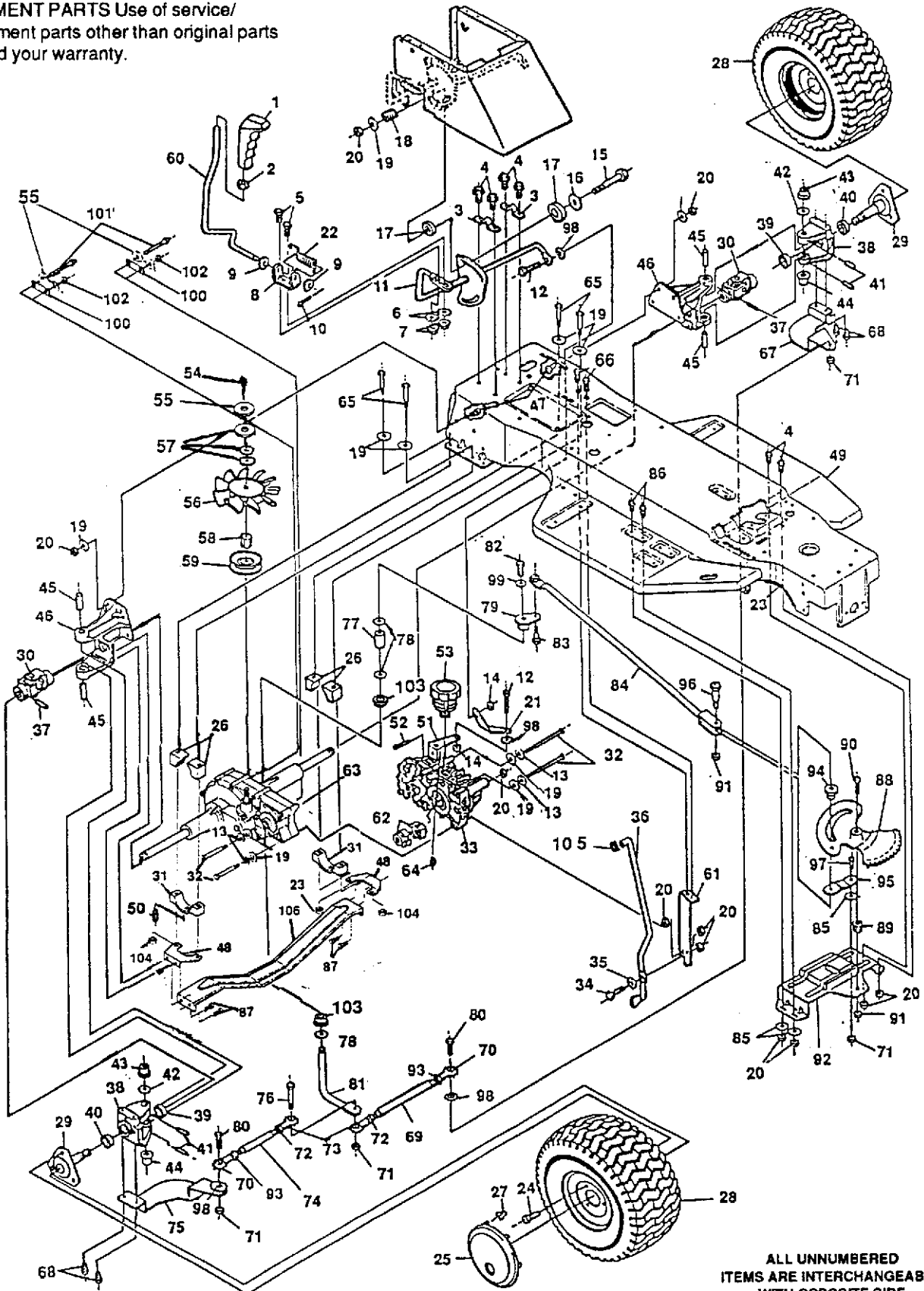
**46" TRACTOR MODEL 4140H**

Key No.	Part No.	Description	Key No.	Part No.	Description
1	6010007-11	Muffler Bracket	39	6010002-19	Knob, Parking Brake
2	6010000-15	Washer, Reg. Split Lock	40	6010006-66	Transaxle Brkt.
3	6010003-55	Pushnut, 5/16 Bolt Retainer	41	6010000-17	Flatwasher, .250 x .56 x .04
4	6010005-19	Screw, 5/16-18 x 1/2	42	6010000-25	Cotter Pin
5	6010003-43	Electric Clutch	43	6010004-55	Electric Clutch Spring
6	6010008-80	Bushing, Sleeve Sector Gear	44	6010003-83	Bracket-Brake, Neutral
7	6010005-57	Pipe Cap	45	6010001-85	Idler Pulley
8	6010000-13	Nut, 3/8-16 Thd.	46	6010004-60	Clutch Rod
9	6010005-47	Flatwasher, .333 x .87 x .119	47	6010004-61	Idler Arm
10	6010006-67	Screw, 1/4-20 x 5/9 In.	48	6010003-87	Bolt, Shoulder, 5/16-18
11	ENGINE		49	6010008-83	Screw, 10-16x.50 Drillite
12	6010003-72	Bolt, Shoulder 5/16-18	50	6010008-84	Heat Shield
13	6010003-09	Nipple, 3/8-18			
14	6010006-14	Deflector Side Out			
15	6010005-15	Screw, #8-32 x .3/8			
16	6010002-64	Muffler			
17	6010000-52	Bolt, 5/16-18x5/8			
18	6010005-95	Nut, 5/16-18			
19	6010008-81	Heat Shield			
20	6010002-66	Tube, Muffler Exhaust, L.H.			
21	6010002-65	Tube, Muffler Exhaust R.H.			
22	6010002-67	Key, Square			
23	6010003-54	Engine Pulley Assembly			
24	6010006-31	Wire Retainer			
25	6010000-16	Lockwasher, .459 x .78x.12			
26	6010000-91	Screw, 7/16-20 x 51/2 In.			
27	6010003-88	Hydro Traction Belt			
28	6010005-28	Retainer Belt			
29	6010005-51	Screw, 3/8-16x1-1/2 In.			
30	6010000-59	Nut, 5/16-18			
31	6010003-69	Spring, Hydro Brake			
32	6010005-73	Screw, 7/16-20 x 51/2 In.			
33	6010000-56	External Lockwasher			
34	6010008-82	Clutch Brake Pad			
35	6010007-24	Clutch Brake Weld Assy.			
36	6010004-42	Clutch Brake Arm Bracket			
37	6010003-84	Park Brake Lever			
38	6010002-14	Parking Brake Rod			

# TRACTOR REPAIR PARTS

## 46" TRACTOR MODEL 4140H

**NOTE: ALWAYS USE ORIGINAL EQUIPMENT PARTS** Use of service/ replacement parts other than original parts may void your warranty.



ALL UNNUMBERED ITEMS ARE INTERCHANGEABLE WITH OPPOSITE SIDE



**TRACTOR REPAIR PARTS**

**46" TRACTOR MODEL 4140H**

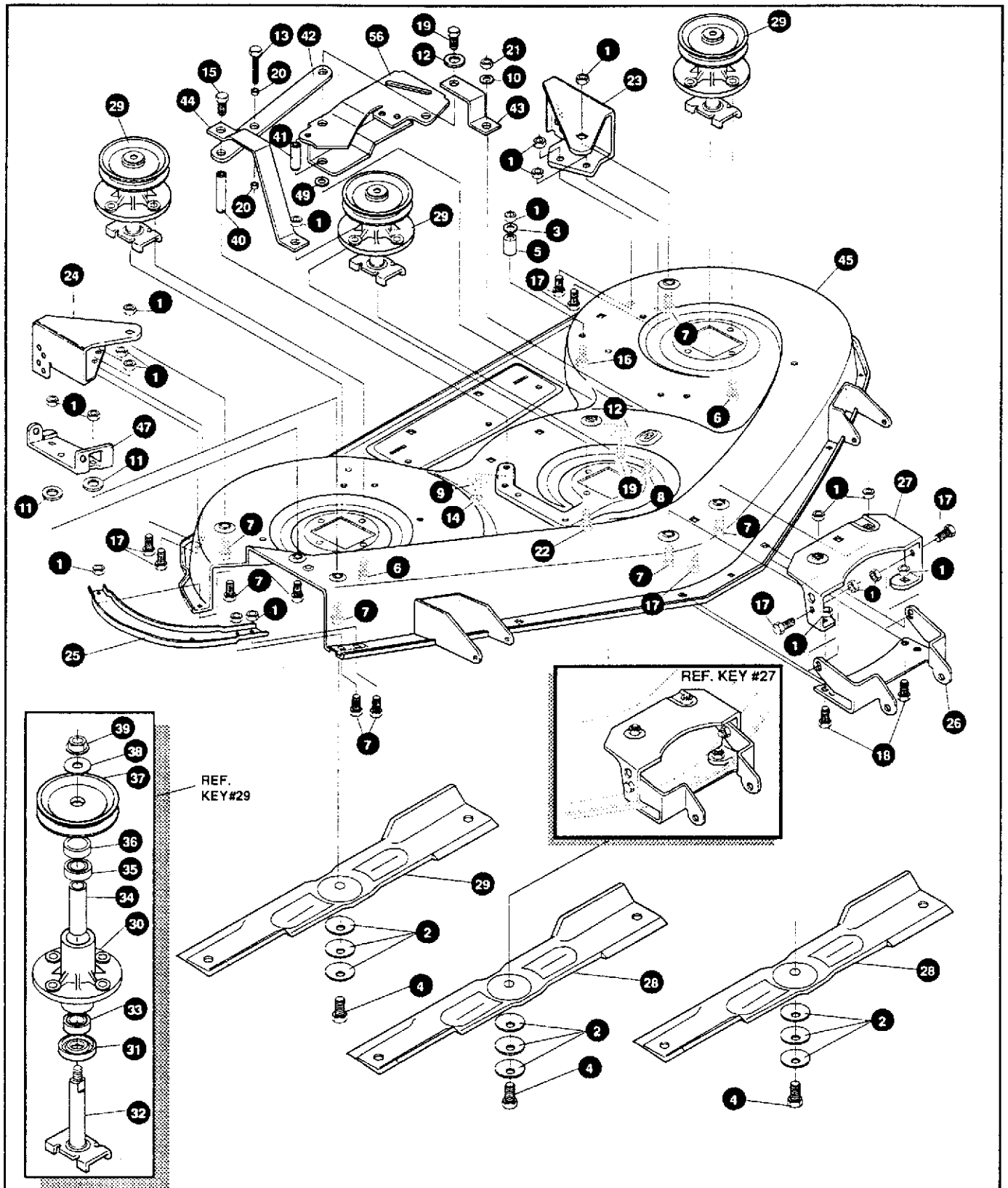
Key No.	Part No.	Description	Key No.	Part No.	Description
1	6010002-37	Handle, Deck Engage Lever	54	6010000-67	Screw, 1/4-20x.62 Hhc
2	6010000-08	Nut, 1/2-13 Jam	55	6010000-14	Washer, Split Lock
3	6010004-42	Bracket, Clutch/Brake Arm	56	6010003-38	Fan
4	6010005-19	Screw, 5/16-18 x 1/2 In.	57	6010008-87	Washer, flat .28x1.38x.07
5	6010000-67	Screw, 1/4-20 x .62 In.	58	6010003-74	Nut, Pulley 1/2-20 and 1/4-20
6	6010000-18	Flatwasher	59	6010003-75	Pulley, Assy. Hydro
7	6010005-75	Nut, 1/4-20	60	6010003-80	Shift Rod
8	6010003-94	Bracket, Shift	61	6010003-77	Stabilizer Bracket
9	6010006-54	Washer, Flat	62	6010008-88	Coupling
10	6010000-25	Pin, Cotter	63	*	Transaxle
11	6010007-27	Shift Rod Assembly	64	6010000-01	Set Screw
12	6010000-33	Screw, 3/8-16 x 1-1/4 In.	65	6010008-89	Screw, 5/16-18x2.50 Hhc
13	6010000-23	Washer	66	6010000-72	Screw, 5/16-18x.63 Hhc
14	6010000-60	Nut, 3/8-16 Thd.	67	6010007-10	Arm, Rear Wheel Steer, L. H.
15	6010000-32	Screw, 5/16-18 x 2 In.	68	6010008-90	Screw, 3/8-16x1.00 Wahhtap Blk
16	6010006-56	Washer, Flat	69	6010004-51	Tie Rod, L.H.
17	6010005-66	Washer, Friction	70	6010003-33	Tie Rod End, L. H.
18	6010001-08	Spring	71	6010005-32	Nut, Hex, Ctrk, 3/8-24
19	6010000-19	Washer, Flat	72	6010000-48	Nut, Hex Jam, 3/8-24
20	6010000-59	Nut, 5/16-18 Thd.	73	6010002-17	Rod, End
21	6010003-80	Shift Link	74	6010004-52	Tie Rod End, R. H.
22	6010003-92	Spring, Torsion	75	6010007-09	Arm, Rear Wheel Steer, R. H.
23	6010005-56	Trim	76	6010000-82	Screw, 3/8-24 x 1 3/4 In.
24	6010000-44	Screw, Hx Hd, 1/2-20 x 1/2 In.	77	6010004-50	Spacer
25	6010002-91	Hubcap, 8 In.	78	6010001-00	Washer, Lat 49/64 In.
26	6010004-04	Mounting Block	79	6010003-40	Steering Pivot
27	6010002-94	Clip, Hubcap	80	6010000-81	Screw, 3/8-24 x 1 1/4 In.
28	^	Tire and Wheel Assembly	81	6010004-54	Shaft, Steering Pivot
	6010009-44	Tire, 15X6.0X6	82	6010005-36	Screw 5/16-24 x 1 In.
	6010000-46	Wheel	83	6010000-41	Bolt, Shoulder 3/8-24
	6010000-96	Valve System	84	6010004-49	Rod Assembly, Rear Wheel Steer
29	6010004-67	Hub Assembly	85	6010005-41	Washer, Flat 3/8 In.
30	6010008-85	U-Joint Assembly	86	6010005-20	Screw, Self-Tap 5/16-18 x 3/8 In.
31	6010003-79	Mounting Block	87	6010005-70	Screw, 5/16-18x.88 Wahhtap
32	6010000-85	Screw, 5/16-18 x 4-1/2 In.	88	6010001-75	Assembly Sector Gear
33	6010003-81	Hydrostatic Pump	89	6010001-76	Bushing, Sector Gear
34	6010003-73	Shoulder Bolt	90	6010002-18	Screw, 1/2-20 x 2 3/8 In.
35	6010000-98	Washer	91	6010001-07	Nut, Hx, Ctrk 1/2-20
36	6010003-85	Rod- Relief Valve	92	6010007-18	Plate, 4-Wheel Steer Pivot
37	6010005-22	Pin, Grooved, 1/4 x 1 1/2 In.	93	6010003-34	Nut, Jam 3/8-24
38	6010004-68	Bracket, Steering Pivot, Outer	94	6010002-03	Cam Yoke Roller
39	6010000-43	Bearing	95	6010001-69	Arm, Roller Swing
40	6010004-69	Bearing	96	6010002-05	Shoulder Bolt, Cam Roller
41	6010005-50	Pin, Spring 1/4 x 1 1/2 In.	97	6010001-67	Shoulder Bolt, Cam Follower Arm Pivot
42	6010000-92	Washer, Flat	98	6010000-15	Washer, Split Lock
43	6010000-38	Bushing, Shouldered	99	6010005-47	Washer Flat
44	6010000-42	Bushing, Shouldered	100	6010004-59	Bracket, Rear Pivot
45	6010000-39	Pin, Steering Hinge	101	6010008-91	Screw 1/4-20 x 3/4 In
46	6010000-47	Bracket, Steering Pivot, Inner	102	6010000-11	Nut 1/4-20
47	6010000-29	Screw, Hx Hd , 5/16-18 x 1 In.	103	6010001-47	Bearing Spindle
48	6010007-33	Bracket, Transaxle Mounting	104	6010005-40	Nut, 5/16-18 Locknut
49	6010008-86	Main Frame	105	6010008-92	Cap, Memory Rod .38ID x.75
50	6010000-58	Screw, #10-32 x 1/4 In.	106	6010008-93	Hydro Brace
51	6010003-78	Armspeed Control			
52	6010005-49	Pin, Spring			
53	6010004-01	Reservoir, Hydro			

(^) Order Parts Individually

(\*) See Transaxle Breakdown Pages

# TRACTOR REPAIR PARTS

46" TRACTOR MODEL 4140H



**NOTE: ALWAYS USE ORIGINAL EQUIPMENT PARTS** Use of service/ replacement parts other than original parts may void your warranty.

ALL UNNUMBERED ITEMS ARE INTERCHANGEABLE WITH OPPOSITE SIDE

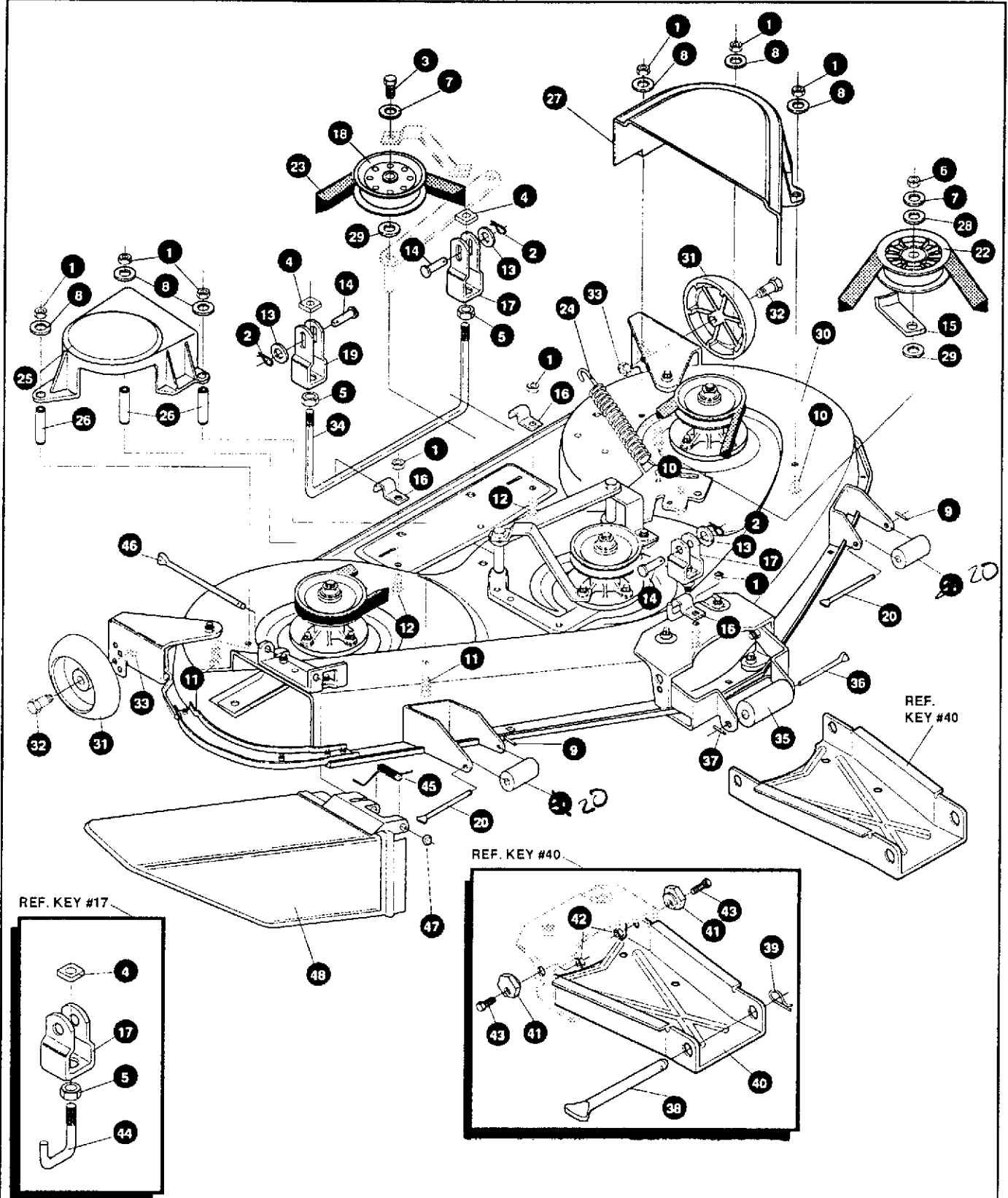
**TRACTOR REPAIR PARTS**

**46" TRACTOR MODEL 4140H**

Key No.	Part No.	Description
1	6010000-59	NUT, 5/16-18 REGHEXCTRLK
2	6010000-98	WASHER, .39IDX 1.25DX .07
3	6010005-13	WASHER, FLAT .328X 1.06X .062
4	6010005-27	SCREW, 3/8-24X 1.00 NYLHH
5	6010005-68	SPACER
6	6010005-70	SCREW, 5/16-18X .88 WAHHTAP
7	6010008-94	BOLT, 5/16-18X .63 CARR
8	6010008-95	BOLT, 3/8-16X .75 CARR
9	6010000-15	WASHER, REGSPTLK .393X .68X .10
10	6010000-20	WASHER, FLAT .406X .81X .065
11	6010008-96	WASHER, FLAT .469X .92X .065
12	6010000-23	WASHER, HVSPCLK .328X .60X .09
13	6010008-97	SCREW, 1/4-20X 1.75 HHC
14	6010008-98	SCREW, 3/8-16X .75 HHC
15	6010000-36	SCREW, 3/8-16X 2.50 HHC
16	6010008-99	BOLT, 5/16-18X 1.00 CARR
17	6010000-72	SCREW, 5/16-18X .63 HHC
18	6010000-74	SCREW, 5/16-18X 1.00 HHC
19	6010000-79	SCREW, 5/16-24X .88 HHC
20	6010001-02	NUT, 1/4-20 REGHEXCTRLK
21	6010001-04	NUT, 3/8-16 HEXKEPS
22	6010001-21	SCREW, 5/16-18X 1.38 WATAP
23	6010001-52	MS BRKT GAUGE WHEEL LH
24	6010001-53	MS BRKT GAUGE WHEEL RH
25	6010001-74	MS BRACE, SKID
26	6010009-00	MS BRKT, MOUNTING 46" DECK
27	6010003-52	MS LIFT SUPT. BRKT
28	6010003-60	BLADE, 16.13 HIGH-LIFT
29	6010009-01	SF QUILL 46" DECK W/ZERKS
30	6010009-02	QUILL CASTING 46" DECK
31	6010005-69	MS DUST SHIELD
32	6010009-03	WS SHAFT/SADDLE 46" DECK
33	6010000-50	BRNG, BALL .669IDX 1.574ODX .47
34	6010009-04	SPACER, SLEV .669X .88X 4.281
35	6010000-50	BRNG, BALL .669IDX 1.574ODX .47
36	6010009-05	SPACER QUILL, 46" DECK
37	6010009-06	46" QUILL PULLEY SPLIT-STEEL
38	6010009-07	WASHER, SPECIAL QUILL 46"
39	6010000-53	NUT, 7/16-20 WDFLLK
40	6010009-08	SUPPORT SHAFT
41	6010009-09	IDLER SHAFT 46" DECK
42	6010009-10	SUPPORT, STRAP
43	6010009-11	BRACKET, IDLER SUPPORT
44	6010009-12	BRACKET, PULLEY SUPPORT
45	6010009-13	WS MOWER DECK 46" SD
46	6010009-14	MS/MP IDLER ARM 40/43/46
47	6010009-15	MS BRKT CHUTE MOUNT 46"
48	6010009-16	WASHER, FLAT .531X 1.06X .063

# TRACTOR REPAIR PARTS

46" TRACTOR MODEL 4140H



ALL UNNUMBERED  
ITEMS ARE INTERCHANGEABLE  
WITH OPPOSITE SIDE

**NOTE: ALWAYS USE ORIGINAL  
EQUIPMENT PARTS** Use of service/  
replacement parts other than original  
parts may void your warranty.

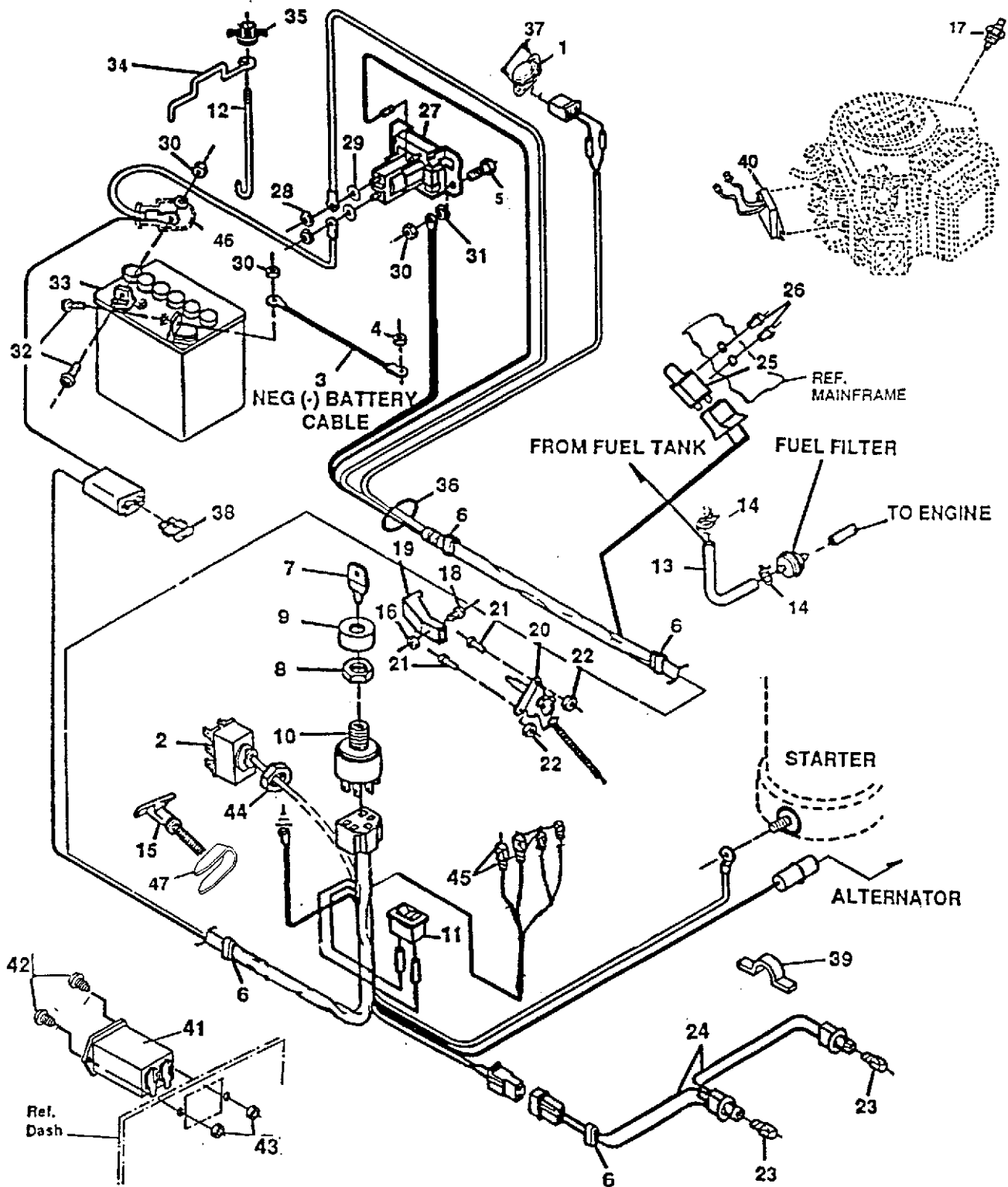
**TRACTOR REPAIR PARTS**

**46" TRACTOR MODEL 4140H**

Key No.	Part No.	Description
1	6010000-59	NUT, 5/16-18 REGHEXCTRLK
2	6010006-04	PIN, HAIR .091 DIA X 1.62 LG
3	6010006-27	BOLT, 3/8-16 X 2.00 CARR
4	6010000-04	NUT, 1/2-13 X .458 SQ
5	6010000-08	NUT, 1/2-13 HEXJAM\
6	6010000-13	NUT, 3/8-16 REGHX
7	6010000-15	WASHER, REGSPLTLK .393 X .68 X .10
8	6010000-19	WASHER, FLAT .344 X .69 X .065
9	6010000-25	PIN, COTTER .090 X .086 X .75 LG
10	6010000-52	BOLT, 5/16-18 X .63 CARR
11	6010009-17	BOLT, 5/16-18 X 2.00 CARR
12	6010000-72	SCREW, 5/16-18 X .63 HHC
13	6010001-06	WASHER, FLAT .406 X .73 X .063
14	6010001-18	PIN, CLEVIS .38 DIA X .81 LG
15	6010001-24	ML GUIDE, BELT, RETAINER 2.55 OD 953
16	6010001-31	MS CLIP, 953
17	6010009-18	ML CLEVIS, 953
18	6010001-84	PULLEY, IDLER BFF 4.00 DIA
19	6010002-48	ML CLEVIS, SLOTTED EURO
20	6010009-20	ROD SUPPORT, ZING
<del>21</del>	<del>6010009-21</del>	<del>ROLLER, 3X .515 I.D. X 2.5 OD</del>
22	6010003-91	PULLEY, IDLER BFF 4.00 WIDE FL
23	6010009-21	BELT, V 5L 129LG 46" EURO
24	6010009-22	SPRING, 46" ELECT/CLUTCH
25	6010009-23	GUARD BELT, R.H. 46" DECK
26	6010009-24	SPACER, GUARD 46" LF/ EURO
27	6010009-25	GUARD, BELT LH PLASTIC
28	6010005-41	WASHER, FLAT .375 X .88 X .082
29	6010006-70	WASHER, FLAT .391 X 1.00 X .125
30	6010009-26	SD DECK 46" PRE-PAINT
31	6010001-70	WHEEL GAUGE
32	6010000-95	BOLT, .500 X 1.39 HSSH
33	6010000-60	NUT, 3/8-16 REGHEXCTRLK
34	6010009-27	ROD, LIFT 46" DECK LG
35	6010009-28	ROLLER, 6X .515 1.0X 2.5 OD
36	6010009-29	ROD SUPPORT
37	6010009-30	PIN, COTTER .125 DIA X 1.00
38	6010001-83	ROD, DRAWBAR
39	6010006-04	PIN, HAIR .091 DIA X 1.62 LG
40	6010004-02	CHANNEL DRAW BAR
41	6012006-39	NUT, ADJUSTING
42	6010000-59	NUT, 5/16-18 REGHEXCTRLK
43	6010000-74	SCREW, 5/16-18 X 1/00 HHC
44	6010003-62	ROD, REAR DECK SHORT
45	6010004-66	SPRING, CHUTE TORSION
46	6010002-46	PIVOT ROD .312 X 6.12
47	6010003-55	PUSH NUT, 5/16 BOLT RETAINER
48	6010002-39	CHUTE, DISCHARGE 46"

**TRACTOR REPAIR PARTS**

**46" TRACTOR MODEL 4140H**



**NOTE: ALWAYS USE ORIGINAL EQUIPMENT PARTS** Use of service/ replacement parts other than original parts may void your warranty.

**ALL UNNUMBERED ITEMS ARE INTERCHANGEABLE WITH OPPOSITE SIDE**

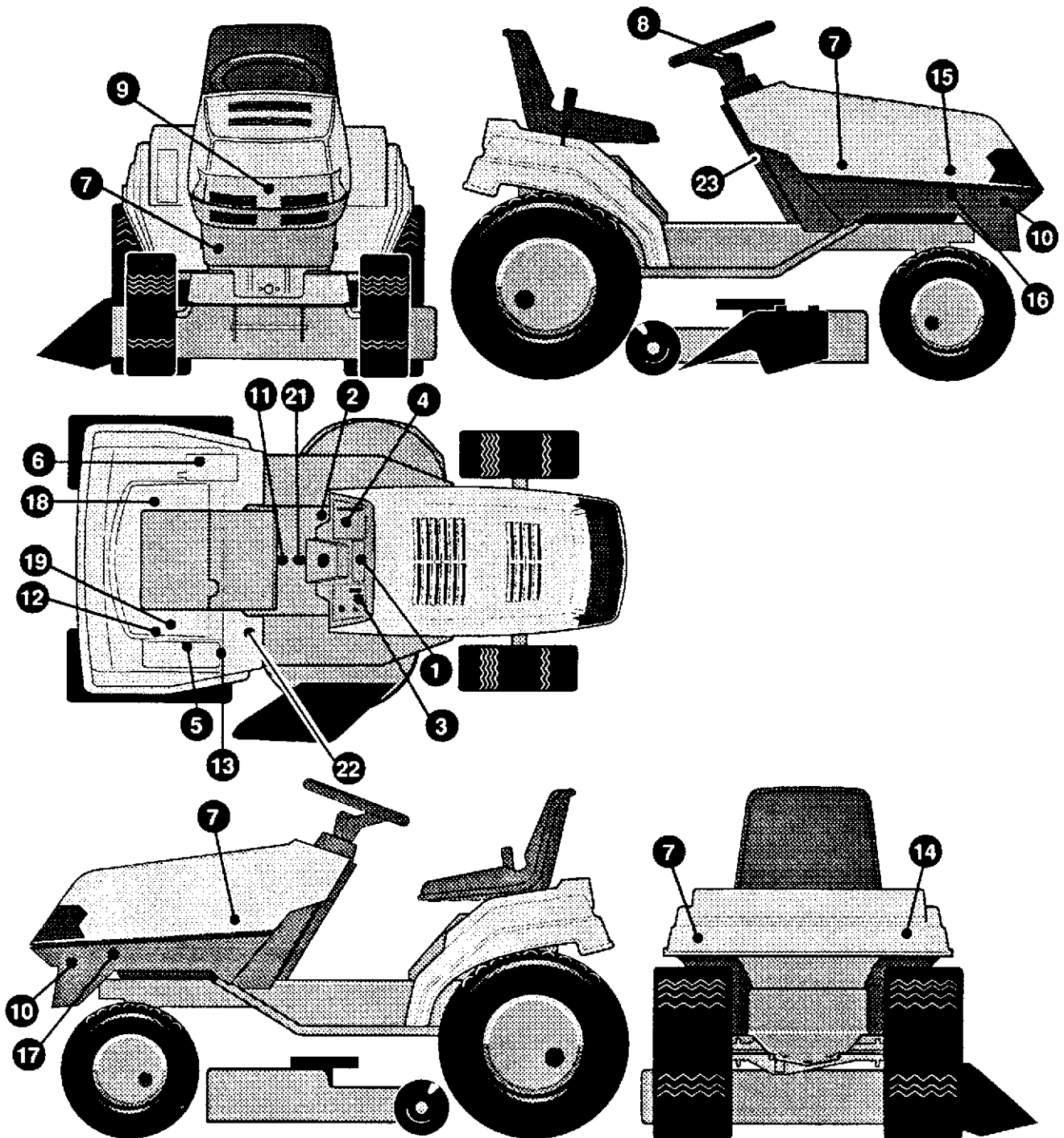
**TRACTOR REPAIR PARTS**

**46" TRACTOR MODEL 4140H**

Key No.	Part No.	Description	Key No.	Part No.	Description
1	6010006-29	Seat Switch	26	6010006-26	Screw, Pn Hd, Tap #12 x 1/2 In.
2	6010003-51	Switch, Elec/Clutch Actuator	27	6010004-05	Solenoid
3	6010005-96	Cable, Battery, Negative	28	6010000-09	Nut, Hx 5/16-24 Thd.
4	6010001-03	Nut, Hx, Keps, 5/16-18 Thd.	29	6010000-55	Washer, Lock 5/16 In.
5	6010000-83	Screw, 1/4-20 x 3/4 in.	30	6010001-02	Nut, Hx, Keps, 1/4-20 Thd.
6	6010006-28	Tie Cable	31	6010000-62	Nut, Hx, Ctrlk, 1/4-20 Thd.
7	6010001-23	Key, Ignition Switch	32	6010000-24	Screw , 1/4-20 x .63
8	6010001-11	Nut, Switch	33	6010002-95	Battery
9	6010001-12	Boot, Switch	34	6010001-82	Bracket, Battery Hold-Down
10	6010002-70	Switch, Ignition	35	6010003-71	Wingnut, 1/4-20 Thd.
11	6010001-20	Switch, Light	36	6010004-80	Wiring Harness
12	6010006-30	Rod, Battery Hold-Down	37	6010000-65	Screw, 1/4-20 x 3/8
13	6010005-55	Gas Line, 10" (cut to length)	38	6010001-28	Fuse, 15A-32V
14	6010005-61	Clamp, Gas Line	39	6010005-34	Press Clip
15	6010003-08	Choke Control	40	6010004-73	Regulator, Sen Volt B & S With Sensor
16	6010000-22	Nut, Hex, #8-32 Thd.	41	6010002-40	Miniature Hour Meter
17	6010004-62	Oil Sensor, B & S Twin Cycle	42	6010009-32	Screw, #6-32x.50 Phpnma Crss
18	6010000-63	Screw, Ph Pn, #8-32 x 3/8 In.	43	6010001-05	Nut, #6-32
19	6010002-26	Knob, Throttle Control	44	6010004-45	Nut
20	6010003-11	Throttle Control	45	6010006-33	Indicator Bulb
21	6010009-31	Screw, 10-24x.63 Phnma Crss	46	6010003-23	Boot, Rubber ( Battery Cable )
22	6010003-37	Nut, Hx, Nylon Lock, #10-24 Thd.	47	6010009-33	Clip, Choke Control
23	6010005-89	Bulb Headlamp			
24	6010001-86	Assembly, Light Wire			
25	6010006-91	Switch			

**TRACTOR REPAIR PARTS**

46" TRACTOR MODEL 4140H



**NOTE:** ALWAYS USE ORIGINAL EQUIPMENT PARTS Use of service/ replacement parts other than original parts may void your warranty.

ALL UNNUMBERED ITEMS ARE INTERCHANGEABLE WITH OPPOSITE SIDE

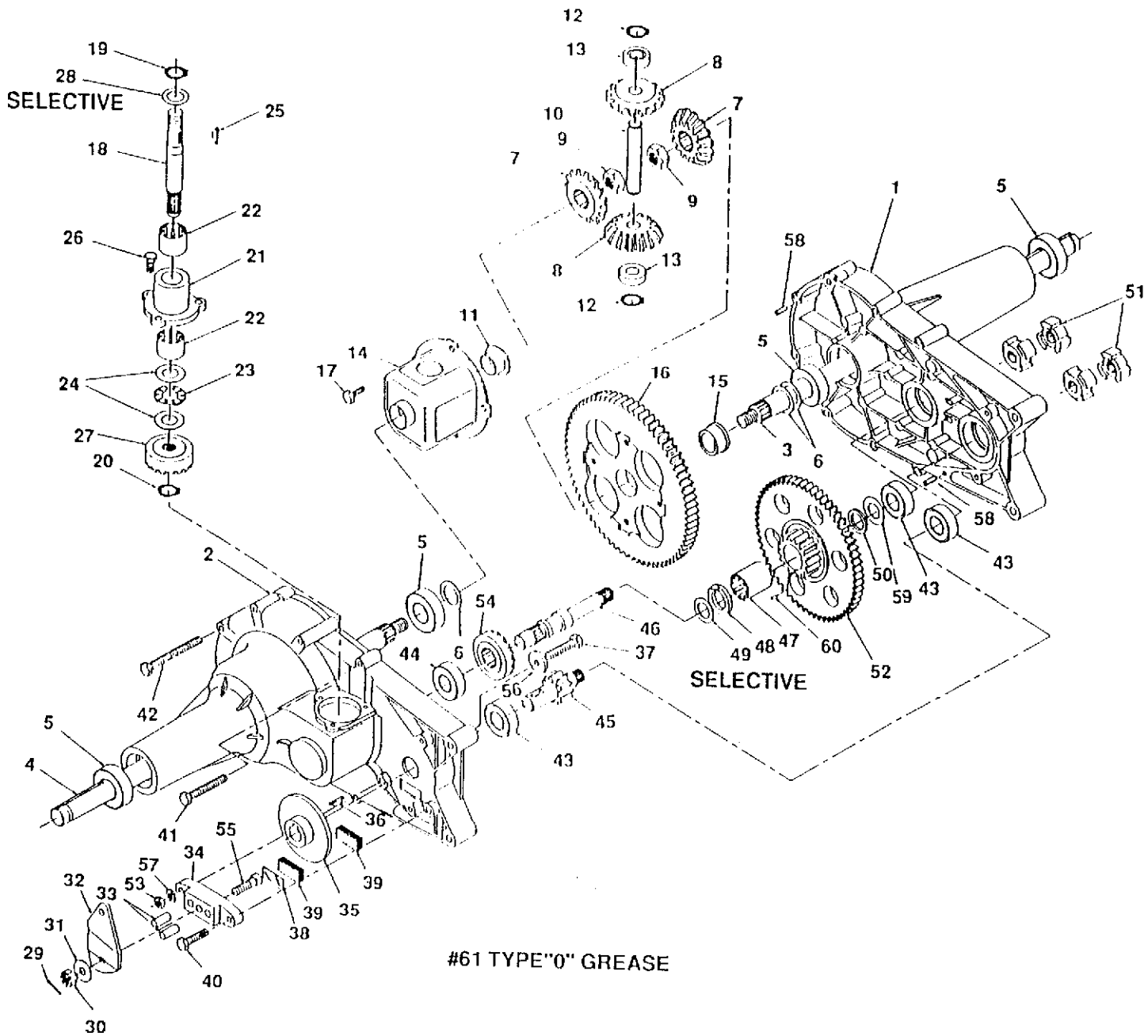


**TRACTOR REPAIR PARTS**

**46" TRACTOR MODEL 4140H**

key#	part#	description	qty.
1.	6010003-10	DECAL, DASH, CHG, OIL, FUEL, ALL SYS	1
2.	6010009-34	DECAL, DASH RH ISO	1
3.	6010009-35	DECAL, DASH LEFT ENGLISH	1
4.	6010009-36	DECAL INSTR FRENCH(CAN) ERO LT	1
5.	6010003-99	DECAL SPEED HYDRO SIGNATURE	1
6.	6010004-04	DECAL-DECK HEIGHT EURO ELEC/CL	1
7.	6010004-10	DECAL, FENDER REAR, HOOD HYSQ.	4
8.	6010004-11	DECAL, GUNSIGHT CENT. STEER	1
9.	6010004-12	DECAL, GUNSIGHT CLEAR BACK	1
10.	6010004-13	DECAL, WHEEL 4 STEER HUSQ.	2
11.	6010009-37	DECAL, INSTRUC CONSOLE TOP	1
12.	6010004-38	DECAL, 4WS PATENT NO. 5048853	1
13.	6010004-47	DECAL, DEPRESS CL/BRAKE	1
14.	6010004-90	DECAL, HYDROSTATIC	1
15.		REFERENCE ONLY	2
16.	6010004-92	DECAL, PIN STRIPE RH	1
17.	6010004-93	DECAL, PIN STRIPE LH	1
18.	6010009-38	DECAL, RELIEF VALVE OPERATION	1
19.	6010009-39	DECAL, MODEL GENERIC HUSQ USA	1
20.		REFERENCE ONLY	1
21.	6010009-41	DECAL, OPER. INSTR. ERO TOP FRAME	1
22.	6010009-42	DECAL, DANGER FRENCH	1
23.	6010009-43	DECAL, PARK BRAKE	1

For Husqvarna Parts Call 606-678-9623 or 606-561-4983  
HYDROSTATIC TRANSAXLE



www.mymowerparts.com

# For Husqvarna Parts Call 606-678-9623 or 606-561-4983

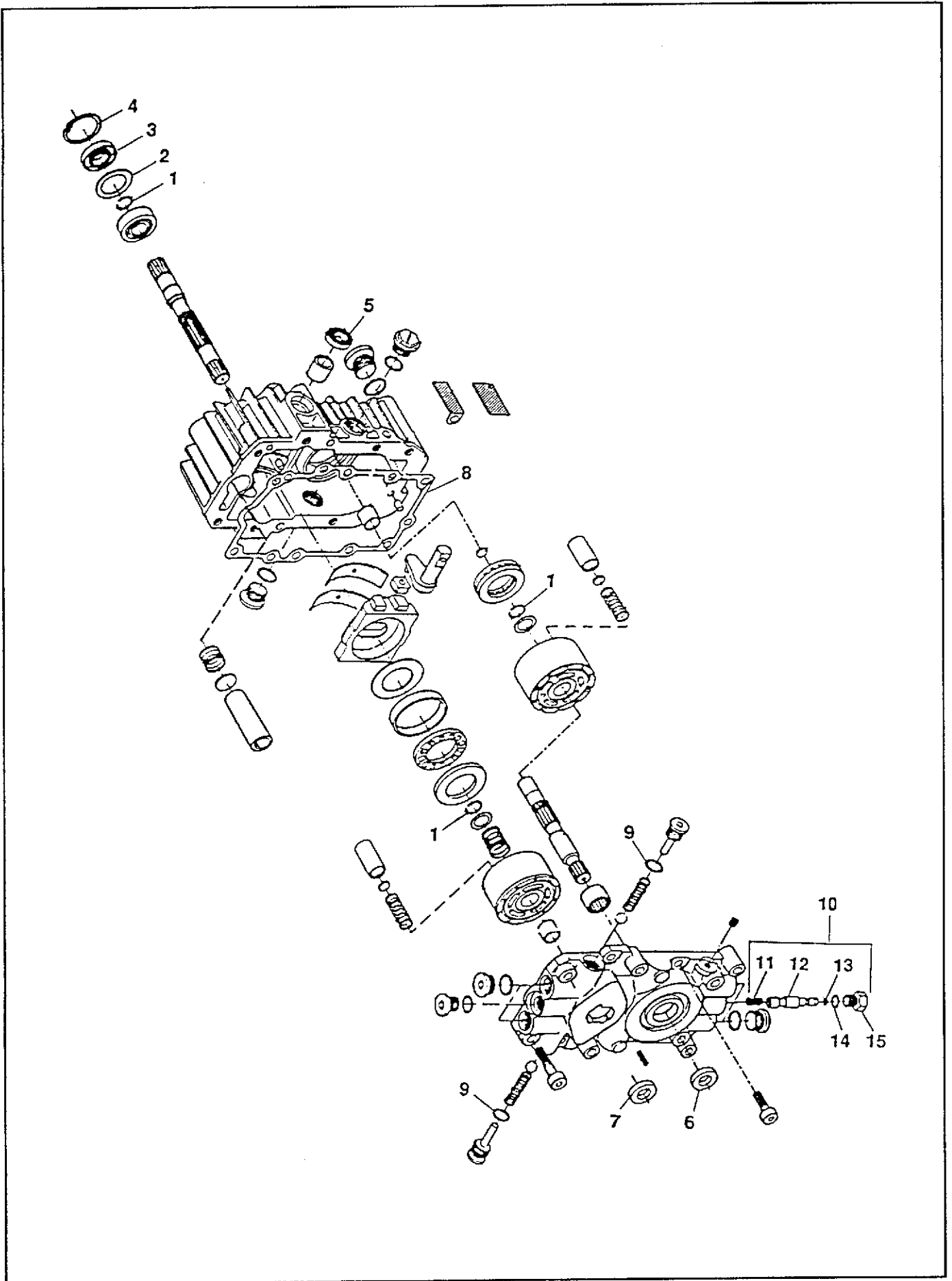
## HYDROSTATIC TRANSAXLE

Ref.	Part #	Description	Qty.
	*324090	ASS'Y, HOUSING HALF LH	
1	^	HOUSING HALF L.H.	1
5	^	BEARING, BALL 3/4ID X 40MM OD X 12 MM	2
43	^	BEARING, BALL	2
	*324092	ASS'Y, HOUSING HALF RH	
2	^	HOUSING HALF RH	1
5	^	BEARING, BALL 3/4ID X 40MM OD X 12 MM	2
43	^	BEARING, BALL	1
44	^	BEARING, BALL	1
	*324093	ASS'Y, DIFFERENTIAL/AXLE	
3	^	AXLE L.H. 3/4"	1
4	^	AXLE R.H. 3/4"	1
6	^	WASHER, FLAT 3/4ID X 1-1/8OD X .025 THK	3
7	^	GEAR, MITER	2
8	^	GEAR, MITER	2
9	^	NUT, HEX JAM W/PATCH 1/2-20	2
10	^	SHAFT, CROSS	1
11	^	BEARING, FL 3/4 ID X 7/8 OD	1
12	^	SNAP RING	2
13	^	BEARING, THRUST	2
14	^	HOUSING DIFFERENTIAL	1
15	^	BEARING, FLANGE	1
16	^	GEAR, DIFFERENTIAL 72 TOOTH	1
17	^	LOCKING BOLT, 1/4-28 X 9/16" LG	4
	*324095	ASS'Y, INPUT PINION HSG	
18	^	SHAFT, INPUT	1
19	^	SNAP, RING	1
20	^	RING, RETAINING 7/16" DIA. EXT.	1
21	^	HOUSING, INPUT BEARING	1
22	^	BEARING, NEEDLE	2
23	^	BEARING, THRUST	1
24	^	WASHER, FLAT 5/8ID X 1-1/4OD X .030 THK.	2
25	^	KEY, HI-PRO 3/32 X 5/8 DIA.	1
26	^	SCREW, HEX W/PATCH 1/4-20 X 3/4 LONG	3
27	^	GEAR, INPUT PINION 17 TOOTH	1
28	^	WASHER, FLAT .62ID X 1.0 OD X .050 THK.	1
----	^	WASHER, FLAT .62ID X 1.0 OD X .040 THK.	AR

Ref.	Part #	Description	Qty.
	*324096	ASS'Y, REDUCTION GEAR	
47	^	BEARING, NEEDLE	
48	^	BRONZE THRUST BRG 5/8ID X 1-1/4OD X 7/64 THK.	1
49	^	WASHER, FLAT .62ID X 1.0 OD X .050 THK.	1
----	^	WASHER, FLAT .62ID X 1.0 OD X .040 THK.	AR
50	^	GREASE, SEAL BRONZE	1
52	^	GEAR, 60 AND 17 TOOTH	1
59	^	WASHER, FLAT .62ID X 1.0 OD X .030 THK.	1
60	^	PIN, DOWEL	1
25	323688	KEY, HI-PRO 3/32 X 5/8 DIA.	1
29	323671	PIN, COTTER	1
30	323691	NUT, CASTLE 5/16-24	1
31	323684	WASHER, FLAT .343ID X .88OD X .062 THK.	1
32	323665	ARM, BRAKE ACTUATOR	1
33	323681	PIN, BRAKE ACTUATING	2
34	324088	BRAKE, YOKE	1
35	323663	DISC, BRAKE	1
36	323692	KEY, HI-PRO 3/16 X 5/8" DIA.	1
37	324092	SCREW, HEX 1/4-20 X 1.50 LONG	1
38	323687	PLATE, PUCK	1
39	323685	PUCK, BRAKE	2
40	323711	SCREW, HEX W/PATCH 1/4-20 X 1.00 LG	1
41	323677	SCREW, HEX SELF-TAP 1/4-20 X 2.00 LG	2
42	323678	SCREW, HEX SELF-TAP 1/4-20 X 3.00 LG	4
45	323660	SHAFT, PINION W/11 TOOTH GEAR	1
46	323656	SHAFT, DRIVE	1
51	323661	COUPLING	4
53	323650	NUT, HEX 1/4-20	1
54	323655	GEAR, DRIVE PINION 17 T.	1
55	324088	BOLT, SQUARE HEAD	1
56	323703	WASHER, 15/16OD X .265ID X .125 THK.	1
57	323649	WASHER, 1/4" SPRING LOCK	1
58	323699	PIN, ROLL 3/16" DIA X 1/2" LG	2
61	324089	TYPE "O" GREASE (10 OZ. TUBE) (20 OZ. REQ'D)	2

AR = AS REQUIRED  
 \* = THESE SOLD BY ASSEMBLY ONLY.  
 ^ = THIS IS NOT A SERVICEABLE PART.

HYDROSTATIC PUMP

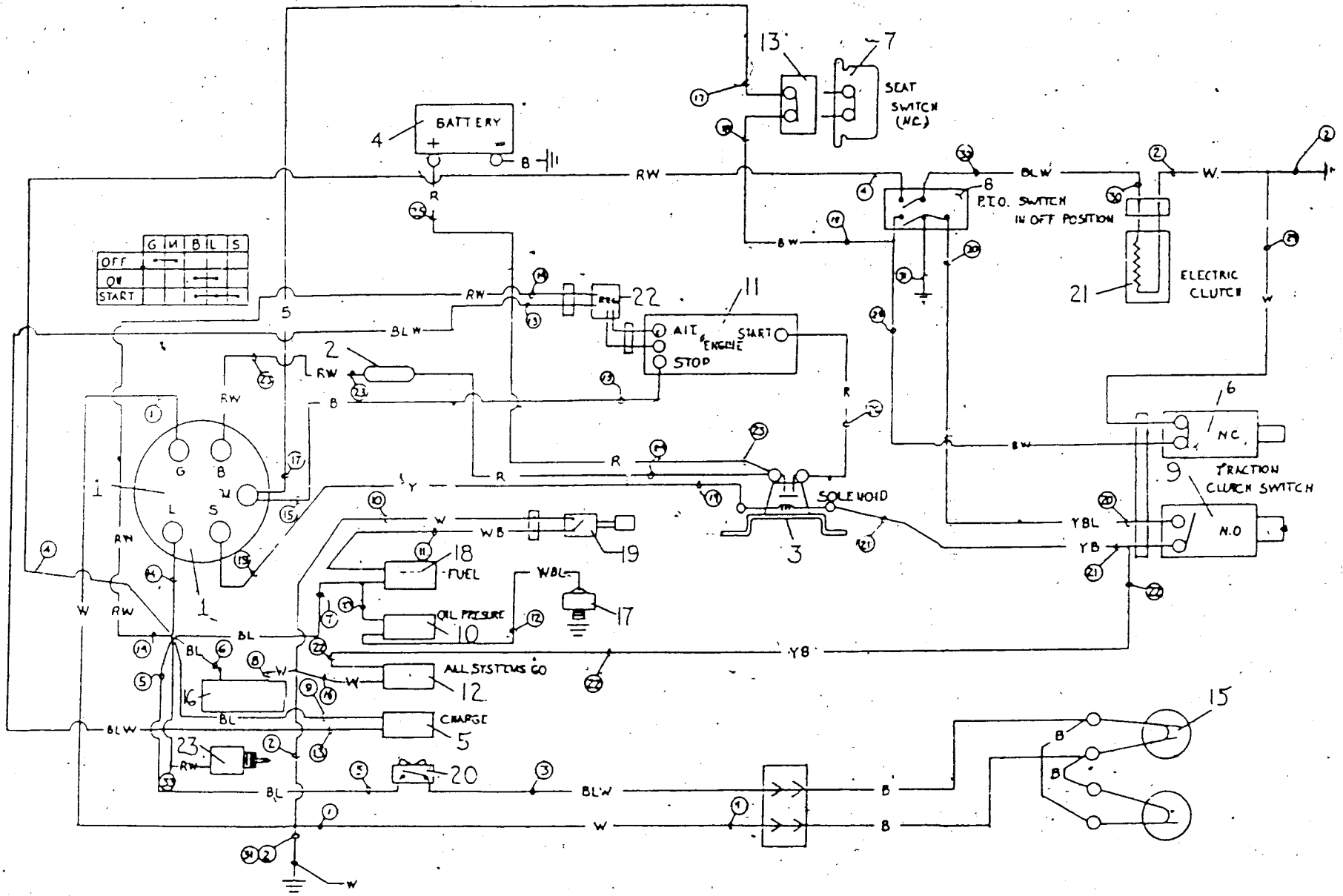


**HYDROSTATIC PUMP**

Key #	Part #	Description
	310227	HYDROSTATIC PUMP (COMPLETE)
	313306	OVERHAUL SEAL KIT (CONTAINS KEY NO.'S 1-9, 13 AND 14)
1		RING-RETAINING
2		SPACER
3		SEAL-LIP
4		RING-RETAINING
5		SEAL-LIP
6		SEAL-LIP
7		SEAL-LIP
8		GASKET-CENTER SECTION
9		O-RING
10	313305	BY-PASS VALVE KIT- COMPLETE (INCL. KEY NO.'S 11-15)
11		SPRING-HELICAL COMP
12		BY-PASS SPOOL
13		O-RING
14		O-RING
15		PLUG-BY-PASS

FOR MODELS 4140H & 4140G

For Husvarna Parts Call 606-678-9623 or 606-561-4983



	G	W	B	L	S
OFF	→	→	→	→	→
ON	→	→	→	→	→
START	→	→	→	→	→

MODELS 4140H & 4140G CONT.

W= WHITE  
R= RED  
B= BLACK  
Y= YELLOW  
BL= BLUE  
BW= BLACK/WHITE  
RW= RED/WHITE  
WB= WHITE/BLACK  
YB= YELLOW/BLACK  
WBL= WHITE/BLUE  
YBL= YELLOW/BLUE  
BLW= BLUE/WHITE

1 IGNITION SWITCH  
2 FUSE-25 AMP B  
3 SOLENOID  
4 BATTERY  
5 ALTERNATOR LIGHT  
6 \*\*CLUTCH SWITCH (SAFETY CIRC. HYDRO)  
7 SEAT SWITCH (SAFETY CIRCUIT)  
8 SWITCH, ELECTRIC P.T.O.  
9 CLUTCH SWITCH (START CIRCUIT)  
10 WARNING LIGHT, CLUTCH & MOWER  
11 ENGINE  
12 WARNING LIGHT, CLUTCH & MOWER  
13 \*PLUG, SEAT SWITCH  
14  
15 HEADLIGHTS  
16 \*\*HOUR METER  
17 OIL PRESSURE SWITCH  
18 WARNING LIGHT-LOW FUEL  
19 LOW FUEL SWITCH  
20 HEAD LIGHT SWITCH  
21 ELECTRIC CLUTCH  
22 REGULATOR  
23 AFTER FIRE SOLENOID

\*SWITCH PLUG CLOSES CIRCUIT  
\*\*IF SO EQUIPPED

For Husqvarna Parts Call 606-678-9623 or 606-561-4983



Husqvarna Forest & Garden Co.  
a Division of WCI Outdoor Products Inc.  
9006-J Perimeter Woods Drive  
Charlotte, NC 28216

[www.mymowerparts.com](http://www.mymowerparts.com)