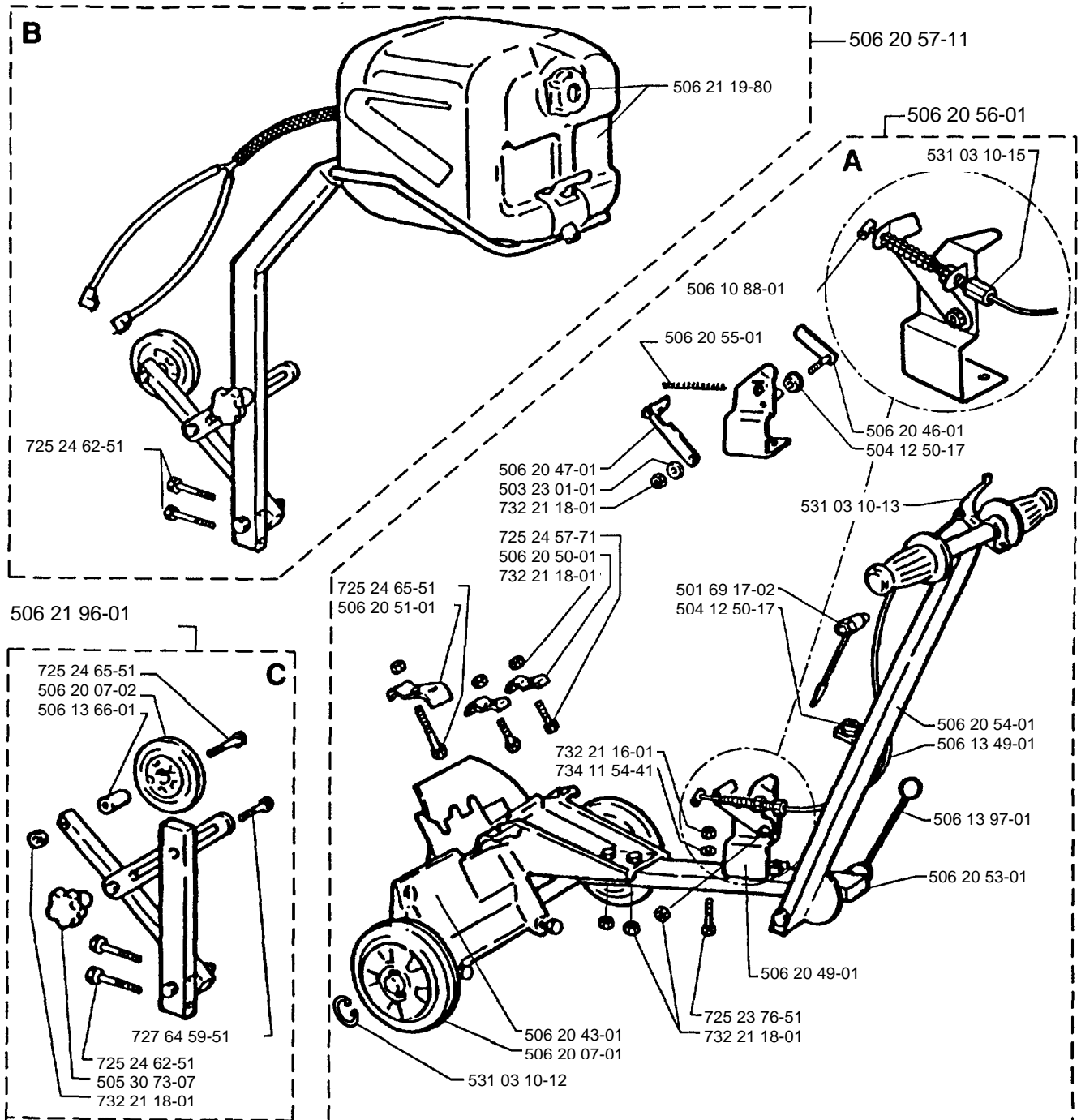


**PARTS LIST FOR HUSQVARNA TROLLEY FOR MODELS 268 K / 272 K**



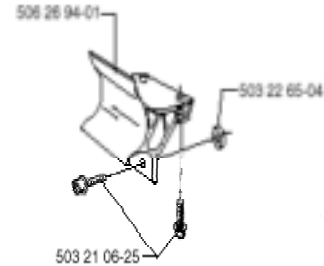
Partnumber	Square	Partnumber	Square	Part number	Square	Partnumber	Square
501 69 17-02	A	506 20 43-01	A	506 20 57-11	B	725 24 65-51	A,C
503 23 01-01	A	506 20 46-01	A	506 21 19-80	B	727 64 59-51	C
504 12 50-17	A	506 20 47-01	A	506 21 96-01	C	732 21 16-01	A
505 30 73-07	C	506 20 49-01	A	531 03 10-12	A	732 21 18-01	A,C
506 10 88-01	A	506 20 50-01	A	531 03 10-13	A	734 11 54-41	A
506 13 49-02	A	506 20 51-01	A	531 03 10-15	A		
506 13 66-01	C	506 20 53-01	A	725 23 76-51	A		
506 13 97-01	A	506 20 54-01	A	725 24 57-71	A		
506 20 07-01	A	506 20 55-01	A	725 24 62-51	B,C		
506 20 07-02	C	506 20 56-01	A				

# Attention

If you are using this cart to mount a Husqvarna model 371K please read the following information.

In order to mount a model 371K to this cart, you will need to replace the original 371K support (part # 506 26 94-01) with the modified support (part # 531 03 06-52). This will allow for easy installation of the unit. Follow these steps:

1. Remove the two 8mm hex head bolts that connect the support to the underside of the saw.
2. Remove the two 8mm hex head bolts and two nuts that connect the other side of the support to the front handle.
3. Replace the original support with the modified support.



Original Support  
Part # 506 26 94-01



Modified Support  
Part # 531 03 06-52

4. Reinstall the four hex head bolts and two nuts securely.
5. Saw is now ready to mount on the cart.