



7
SX 90.014

Rider 850-10

Rider 850-12

Rider 850-12,5K



1.1991

Spare parts

Ersatzteile

Pièces détachées

Reserve onderdelen

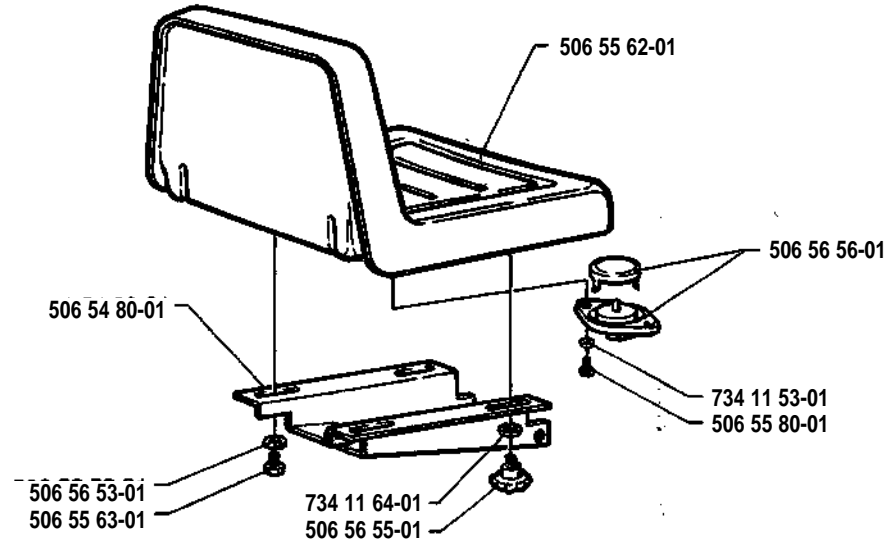
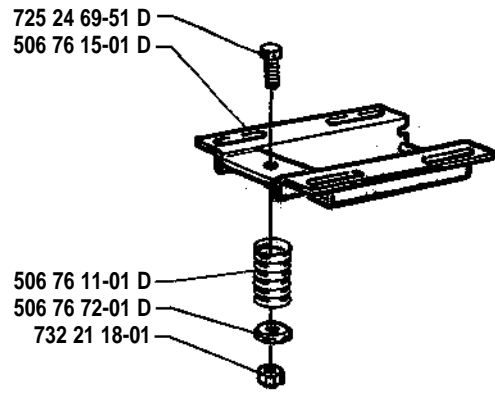
Repuestos

Reservdelar

106 23 46-61

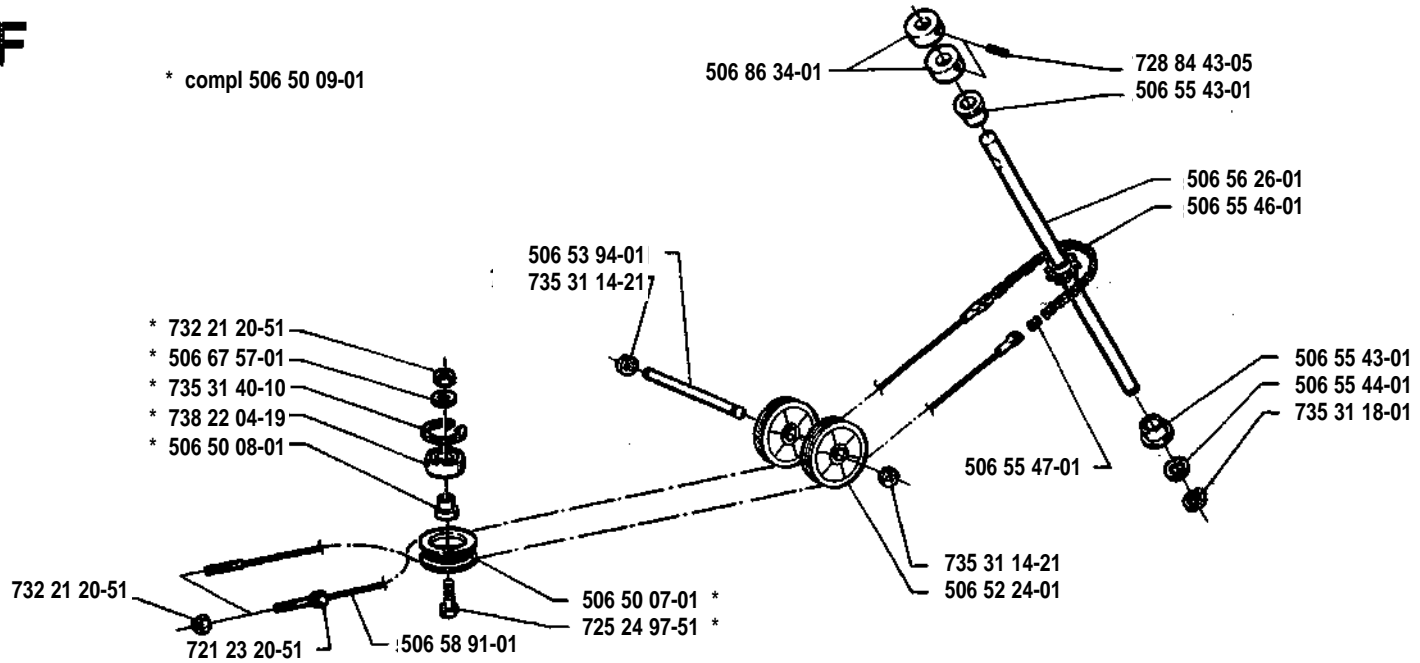
Ref.No. Tab.Nr. Nº de ref. Nº ref. Ref. No. Ref. nr.	Square Vierook Cuadro Cuadro Vsk Ruta	Ref.No. Tab.Nr. Nº de ref. Nº ref. Ref. No. Ref. nr.	Square Vierook Cuadro Cuadro Vsk Ruta	Ref.No. Tab.Nr. Nº de ref. Nº ref. Ref. No. Ref. nr.	Square Vierook Cuadro Cuadro Vsk Ruta	Ref.No. Tab.Nr. Nº de ref. Nº ref. Ref. No. Ref. nr.	Square Vierook Cuadro Cuadro Vsk Ruta
151 40 78-07	K	506 55 43-01	F	506 59 93-01	H	721 68 02-51	E
161 08 23-01	G	506 55 44-01	F	506 59 95-01	C	721 83 99-01	H
501 69 17-02	S	506 55 46-01	F	506 59 96-01	C	721 79 44-02	B
502 71 36-01	S	506 55 47-01	F	506 60 03-01	E	722 79 81-02	B
504 92 02-00	S	506 55 48-01	L	506 60 04-01	K	723 12 28-01	C
506 39 55-31	S	506 55 49-01	L	506 60 22-01	B	723 12 82-01	P
506 50 07-01	F	506 55 50-01	L	506 60 22-02	B	723 13 27-51	E
506 50 08-01	F	506 55 51-01	L	506 60 24-01	J	723 23 66-31	B
506 50 09-01	F	506 55 59-01	D	506 60 27-01	N	723 53 25-01	B
506 50 29-01	G	506 55 60-02	E	506 60 30-01	K	725 22 25-51	C
506 50 34-01	L	506 55 62-01	A	506 60 31-01	P	725 23 27-51	P
506 50 35-01	G	506 55 63-01	A	506 60 32-01	C	725 23 27-61	M
506 50 36-01	G	506 55 65-01	P	506 60 33-01	P	725 23 29-51	C
506 50 46-01	G	506 55 73-01	P	506 60 34-01	D	725 23 31-51	P
506 50 47-01	G	506 55 78-01	G	506 60 36-01	E	725 23 33-51	K
506 50 48-01	G,L	506 55 80-01	A	506 60 42-01	E	725 23 64-51	B
506 50 48-02	L	506 55 83-02	G,K	506 60 45-01	E	725 23 64-61	B
506 50 48-03	G	506 55 86-01	C	506 60 55-01	K	725 23 66-51	G
506 50 54-01	K	506 55 87-01	C	506 60 56-01	K	725 23 68-51	K
506 50 62-02	H	506 55 88-01	S	506 60 58-01	G	725 23 70-51	E
506 50 65-01	H	506 55 91-01	C	506 60 59-01	G	725 23 72-51	G
506 50 65-01	G	506 55 93-01	P	506 60 60-01	P	721 23 72-71	K
506 50 82-01	P	506 55 94-01	C	506 60 64-01	G	725 23 74-71	K
506 50 90-01	P	506 55 97-01	B	506 60 71-01	J	725 23 76-51	P
506 50 92-01	D	506 56 04-01	J	506 60 71-02	J	725 24 49-51	D,H
506 50 93-01	G	506 56 04-02	J	506 60 72-01	J	725 24 51-51	E,G,K
506 50 94-01	G	506 56 14-01	K	506 60 74-01	J	725 24 52-51	D,M
506 50 99-01	E	506 56 25-01	P	506 60 78-01	D	725 24 55-51	K,P
506 51 07-01	P	506 56 26-01	F	506 60 79-01	B	725 24 57-51	D
506 51 08-01	P	506 56 41-01	K	506 60 82-01	D	725 25 59-51	G
506 51 26-01	P	506 56 44-01	K	506 60 83-01	D	725 24 61-51	H,P
506 51 45-01	R	506 56 45-01	K	506 60 84-01	D	725 24 66-51	G
506 51 48-01	R	506 56 53-01	A	506 60 85-01	D	725 24 68-61	A
506 51 49-01	R	506 56 55-01	A	506 60 88-01	E	721 24 71-51	S
506 51 50-01	R	506 56 56-01	A	506 60 87-01	B	725 24 97-51	F
506 51 54-01	R	506 56 65-01	P	506 60 88-01	E	725 54 99-21	E
506 51 57-01	J,P	506 56 85-01	K	506 60 89-01	E	725 64 57-01	E
506 51 59-01	R	506 56 88-01	C	506 60 87-01	D	728 74 55-05	E
506 51 84-01	K	506 56 89-01	C	506 60 87-01	B	728 84 43-05	F
506 51 85-01	K	506 56 92-01	B	506 60 82-01	D	729 53 29-71	E
506 51 85-02	K	506 56 93-01	B	506 60 83-01	E	729 54 48-02	E
506 51 86-01	K	506 57 01-03	E	506 60 44-01	G	731 23 10-01	C
506 51 87-01	K	506 57 01-04	J	506 60 45-01	G	731 23 12-01	P
506 51 90-01	K	506 57 01-05	B	506 60 51-01	D	731 23 14-01	C,P
506 51 91-01	K	506 57 02-01	K	506 60 54-01	K	731 23 16-01	G
506 51 95-01	K	506 57 03-01	M	506 60 55-01	B	731 23 18-01	BDEGJPS
506 52 24-01	F	506 57 11-01	N	506 60 57-01	F,K	731 23 20-51	E
506 52 32-01	J	506 57 20-01	L	506 60 58-01	K	732 21 14-01	B,K,P
506 52 33-01	J	506 57 43-01	L	506 60 65-01	K	732 21 16-01	E,K
506 52 77-01	G	506 57 45-01	H	506 60 76-01	K	732 21 18-01	AEHJKMPS
506 52 92-01	J	506 57 51-01	G	506 60 77-01	K	732 21 20-51	F
506 53 14-01	P	506 57 52-01	G	506 60 78-01	H	732 23 18-01	E
506 53 15-01	P	506 57 53-01	G	506 60 79-01	P	733 79 14-40	R
506 53 19-01	J	506 57 55-01	G	506 76 08-01	E	734 11 24-01	C,R
506 53 24-01	M	506 57 56-01	S	506 76 11-01	A	734 11 36-01	B
506 53 31-01	K	506 57 61-01	G	506 76 15-01	A	734 11 36-41	B
506 53 33-01	M	506 57 63-01	E	506 76 72-01	A	734 11 45-01	B,C,E,R
506 53 34-01	K	506 57 64-01	E	506 76 96-01	E	734 11 53-01	E,G,K,P
506 53 34-02	K	506 57 73-01	C	506 76 97-01	E	734 11 53-41	K
506 53 35-01	K	506 58 30-01	D	506 76 98-01	E	734 11 56-01	G
506 53 39-01	M	506 58 47-01	L	506 77 05-02	H	734 11 64-01	ADGHS
506 53 41-01	K	506 58 50-01	P	506 77 06-01	H	734 11 64-41	G,K
506 53 56-01	H	506 58 52-01	E	506 78 88-01	C	734 48 80-01	P
506 53 56-02	H	506 57 55-01	S	506 79 09-01	D	735 31 09-21	H,P
506 53 57-01	H	506 58 82-01	D	506 79 10-01	E	735 31 12-01	F
506 53 57-02	H	506 58 91-01	F	506 79 31-01	G	735 31 14-21	F
506 53 61-01	P	506 58 94-01	B	506 79 33-01	G	735 31 18-01	F,G
506 53 85-01	E	506 59 05-01	R	506 79 46-01	C	735 31 20-01	L
506 53 86-01	E	506 59 08-01	P	506 80 99-01	C	735 31 22-00	G
506 53 87-01	E	506 59 11-01	R	506 81 51-01	D	735 31 22-21	G,L
506 53 88-01	E	506 59 14-01	R	506 81 56-01	E	735 31 26-01	G,J,R
506 53 89-01	E	506 59 15-01	R	506 81 58-01	C	735 31 40-10	E,F
506 53 94-01	F	506 59 16-01	R	506 81 58-02	C	735 58 35-01	R
506 54 13-01	R	506 59 17-01	R	506 81 77-01	P	737 38 11-00	P
506 54 14-01	R	506 59 20-01	E	506 81 78-01	D	738 21 05-04	E
506 54 20-01	P	506 59 24-01	D	506 82 08-01	D	738 21 10-04	G
506 54 23-01	L	506 59 30-01	G	506 82 09-01	S	738 22 04-19	F,K
506 54 25-01	G	506 59 34-01	E	506 82 13-01	D	738 88 10-01	G
506 54 43-01	P	506 59 43-03	E	506 82 26-01	S	738 88 70-02	G
506 54 45-01	P	506 59 46-01	E	506 83 38-01	S	740 48 15-02	G
506 54 49-01	E	506 59 48-01	B	506 83 88-02	C	740 48 17-02	G
506 54 61-01	P	506 59 50-01	G	506 85 51-01	F	964 99 54-01	S
506 54 63-01	P	506 59 51-01	G	506 86 34-01	H	964 99 55-01	S
506 54 64-01	P	506 59 52-01	B	506 86 77-01	D		
506 54 66-01	P	506 59 56-01	D	506 89 47-01	N		
506 54 67-02	M	506 59 57-01	P	506 89 49-01	N		
506 54 68-01	M	506 59 62-01	G	506 89 49-02	N		
506 54 69-01	M	506 59 65-01	G	506 89 65-01	N		
506 54 80-01	A	506 59 67-01	B	506 89 86-01	N		
506 54 94-01	M	506 59 67-02	B	506 89 86-02	N		
506 54 94-03	K	506 59 70-01	K	506 89 67-01	N		
506 55 06-01	C	506 59 73-01	B	506 89 67-02	N		
506 55 07-01	C	506 59 74-01	E,J	721 23 20-51	F		
506 55 08-01	S	506 59 75-01	E	721 43 49-01	M		
506 55 08-04	S	506 59 76-01	G	721 61 32-01	H		
506 55 08-01	S	506 59 78-02	J	721 61 38-01	H		
506 55 17-01	E	506 59 85-01	J	721 61 52-01	H		
506 55 36-01	B	506 59 88-01	J	721 61 83-01	J		
506 55 41-01	R	506 59 88-02	J	721 62 01-01	P		
506 55 42-01	R	506 59 92-01	H	721 68 01-53	B		

A

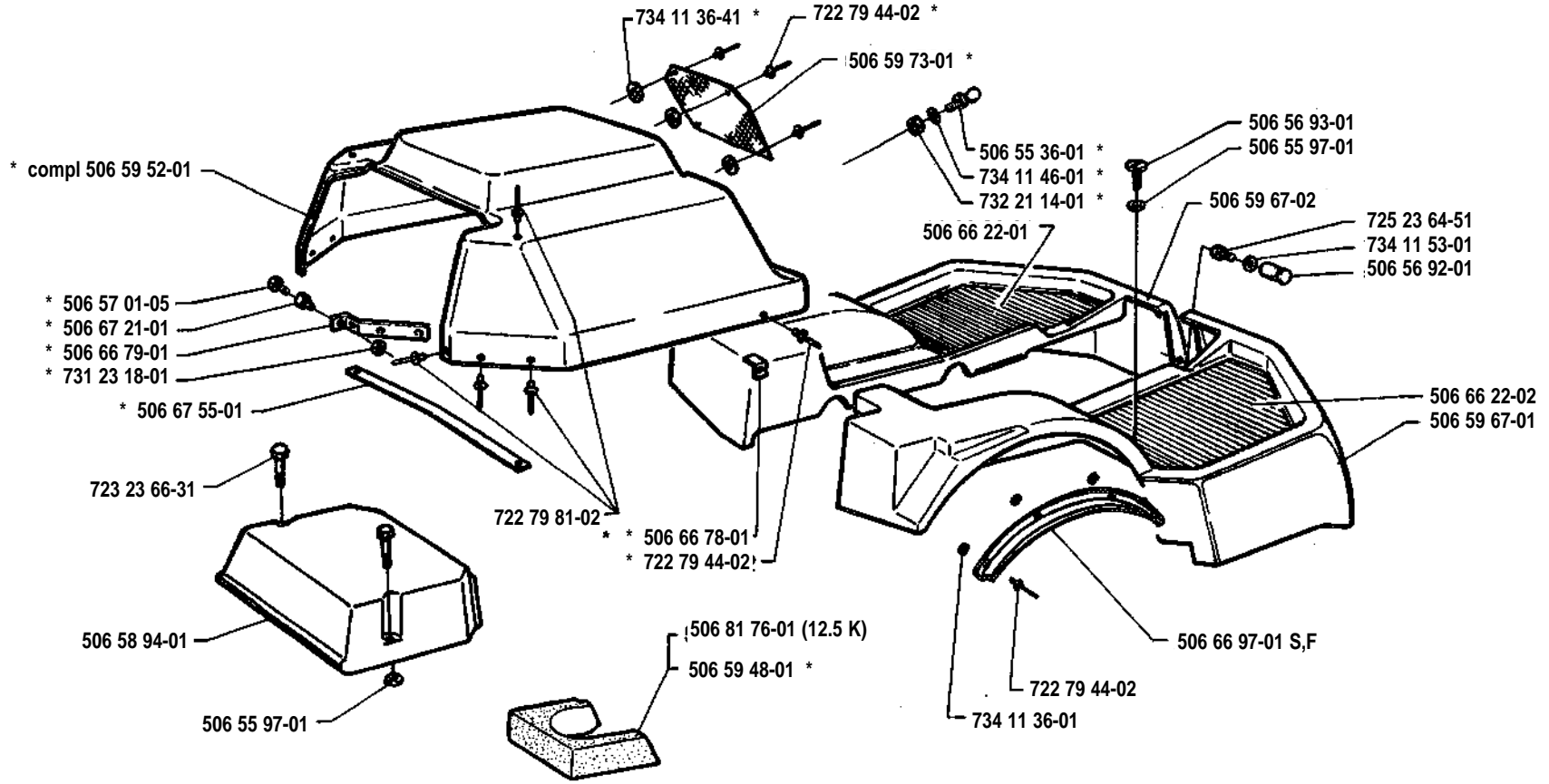


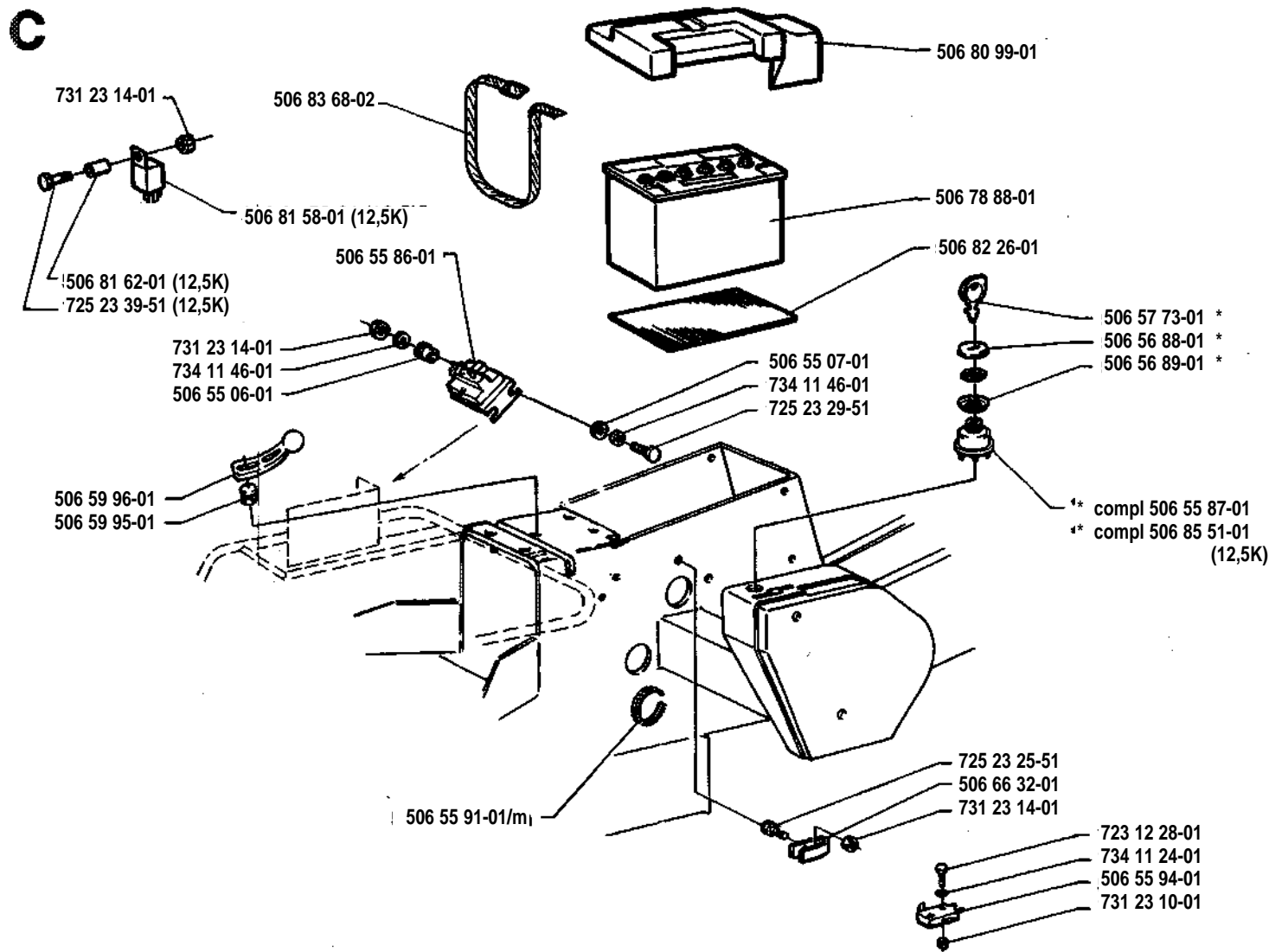
F

* compl 506 50 09-01

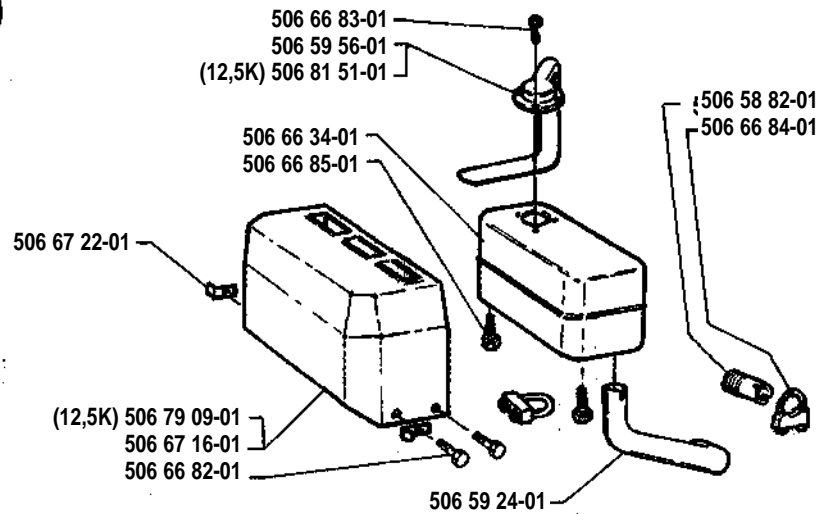


B

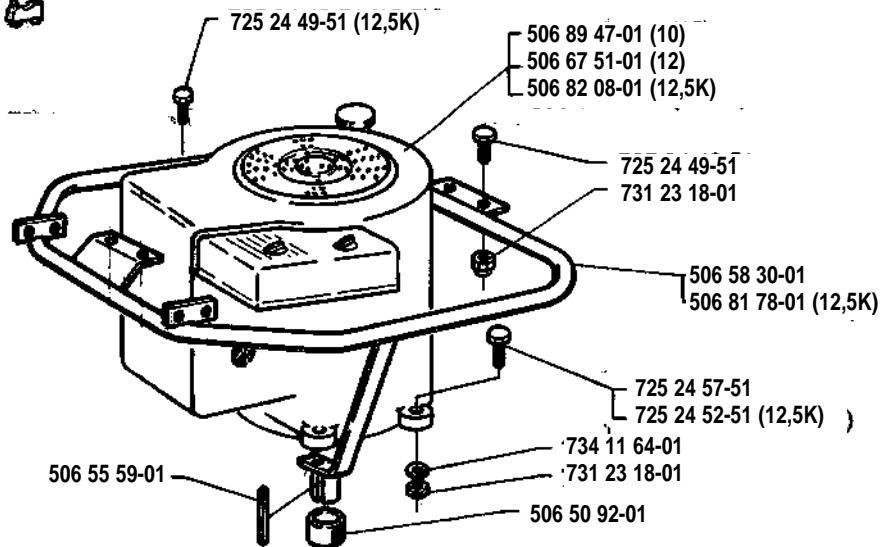
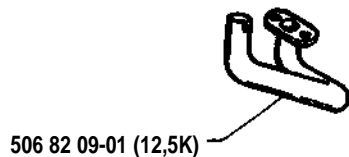


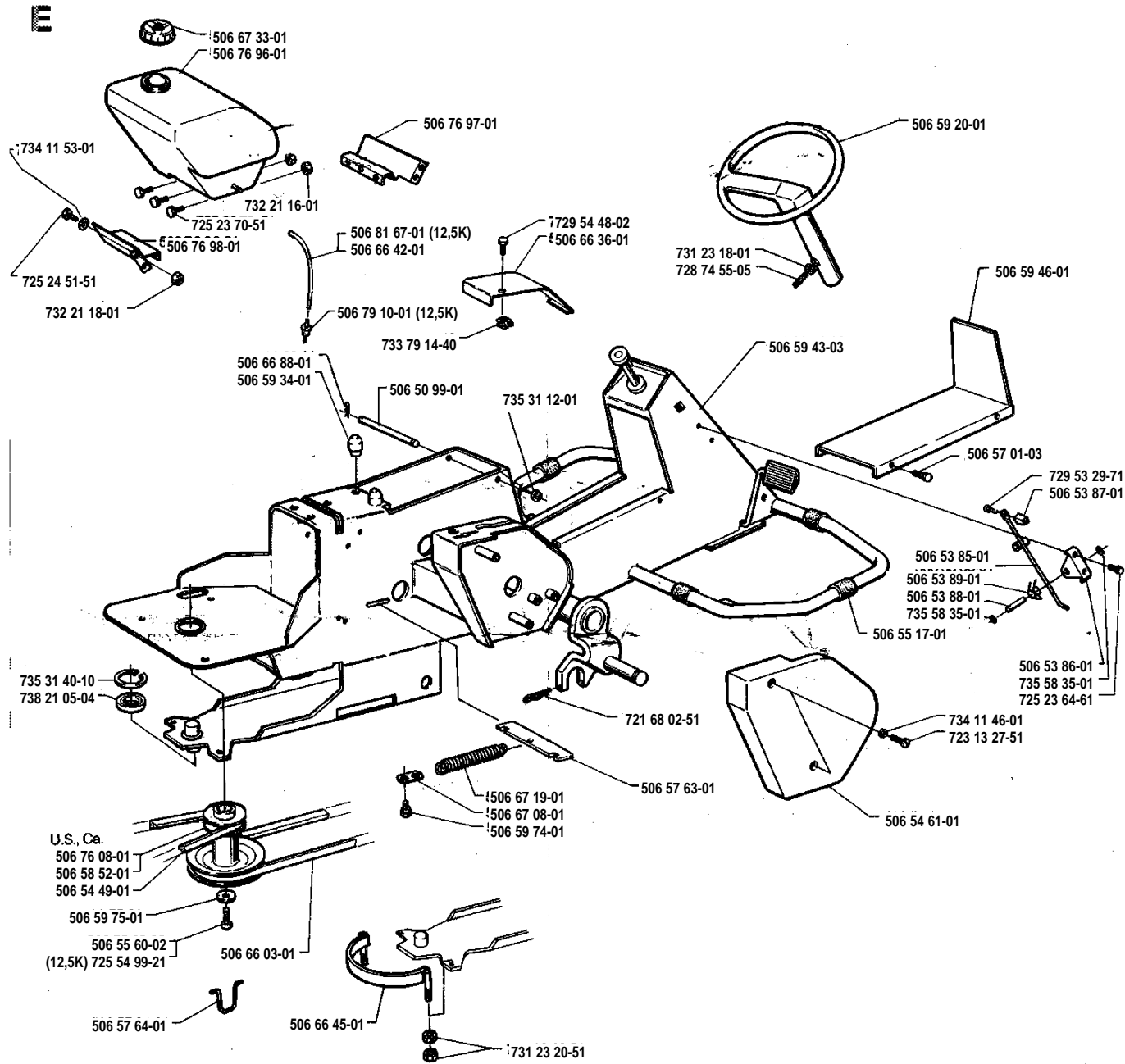


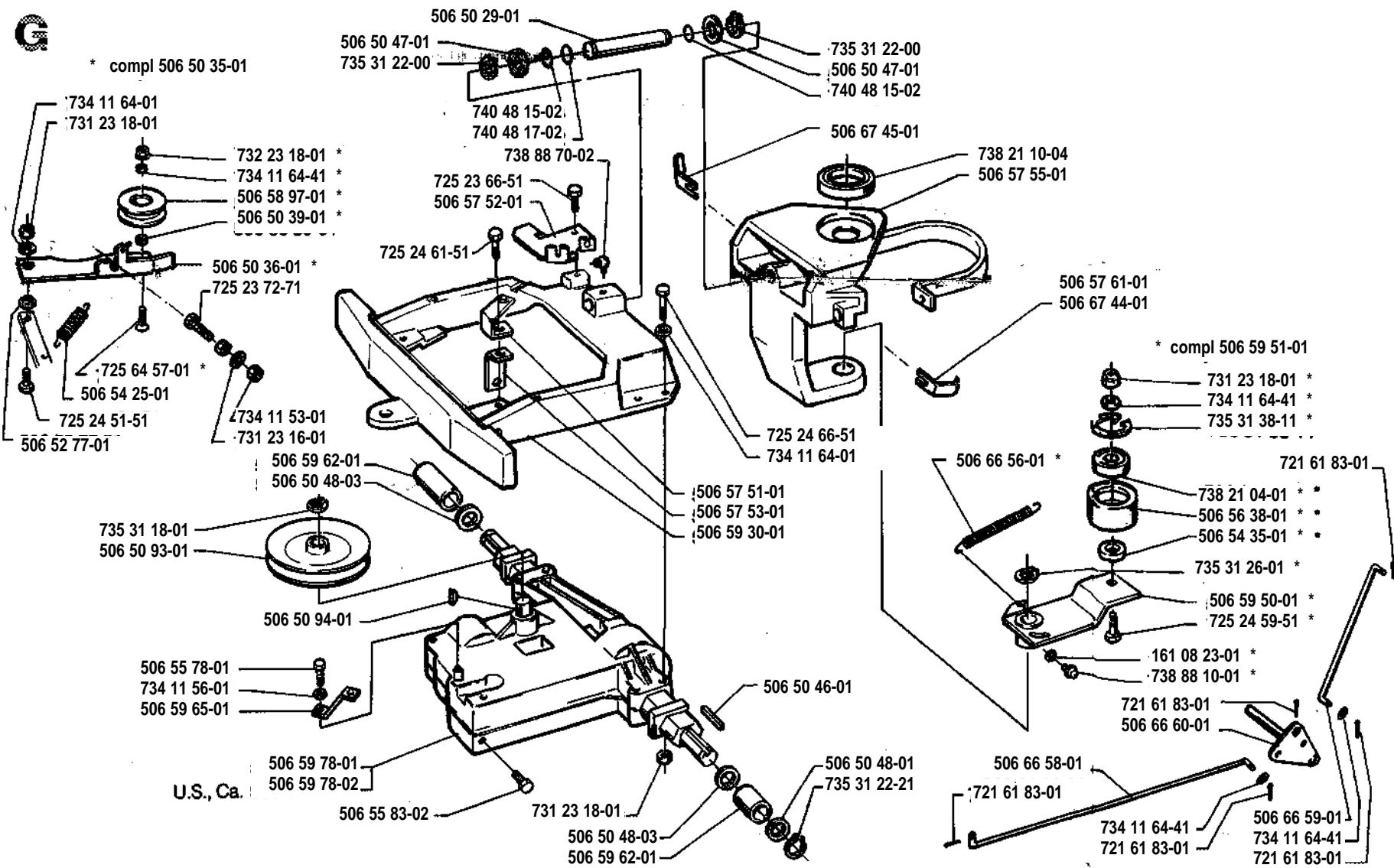
D

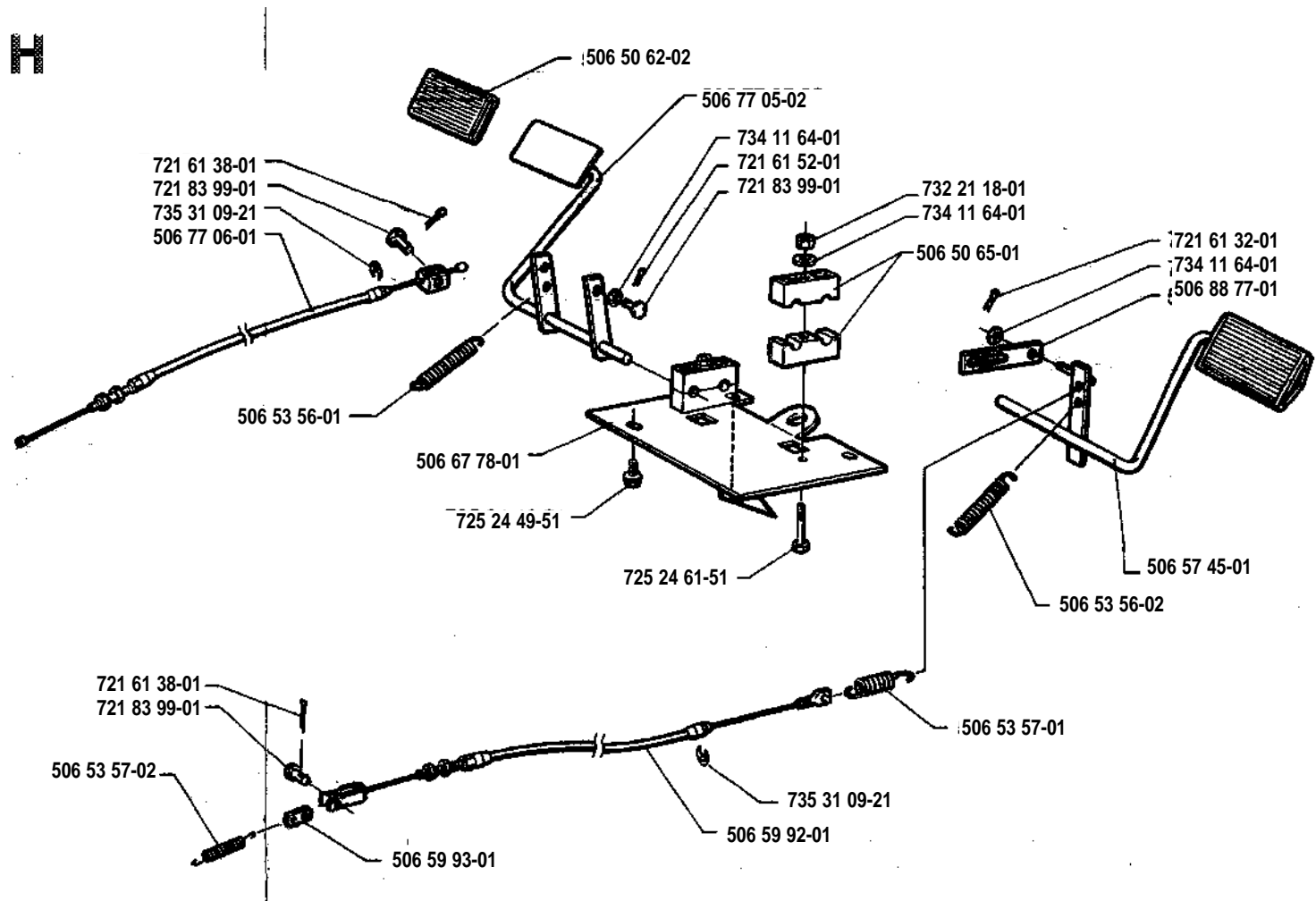


(10) = 10 hp B&S
(12) = 12 hp B&S
(12,5K) = 12,5 hp Kawasaki







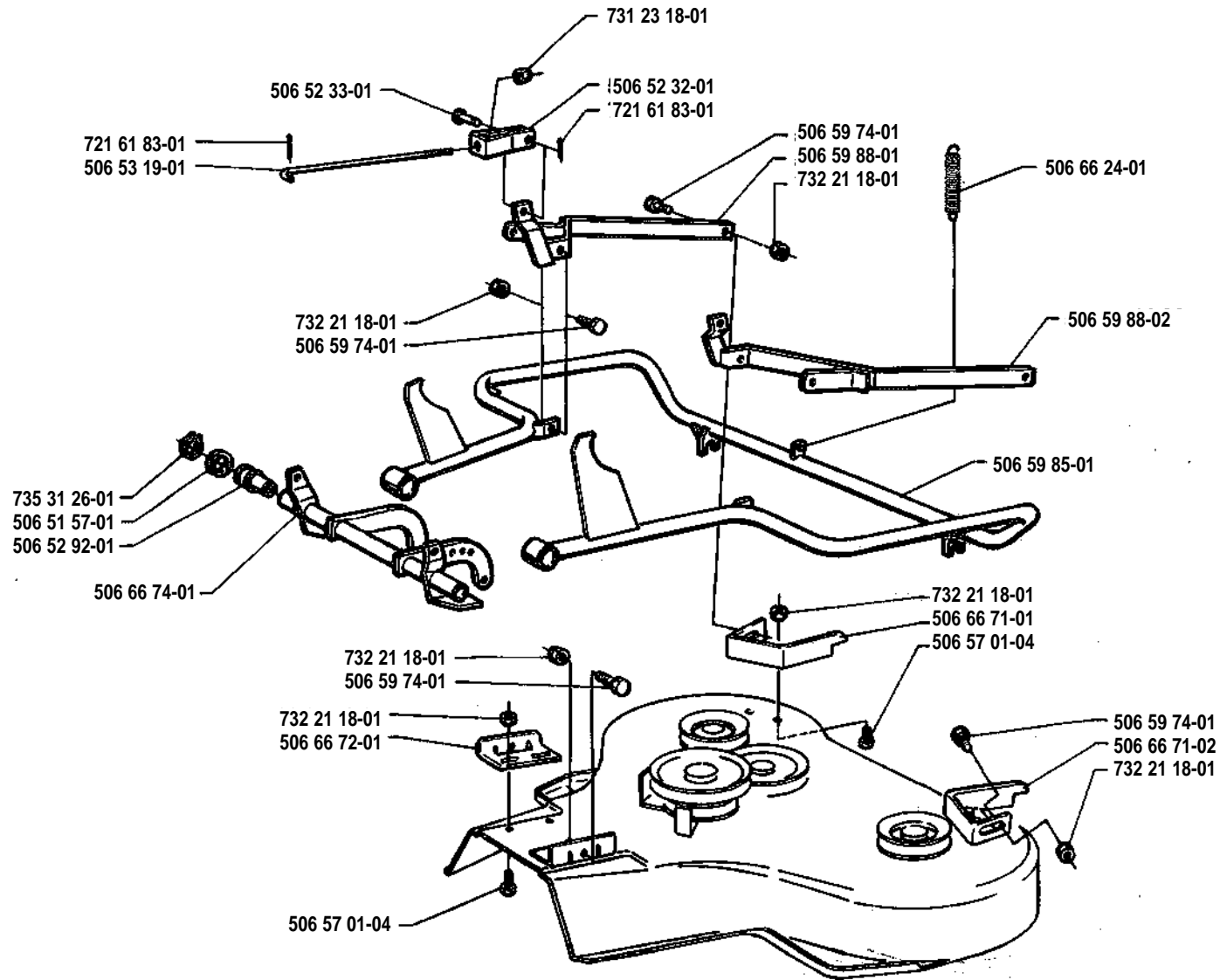


H

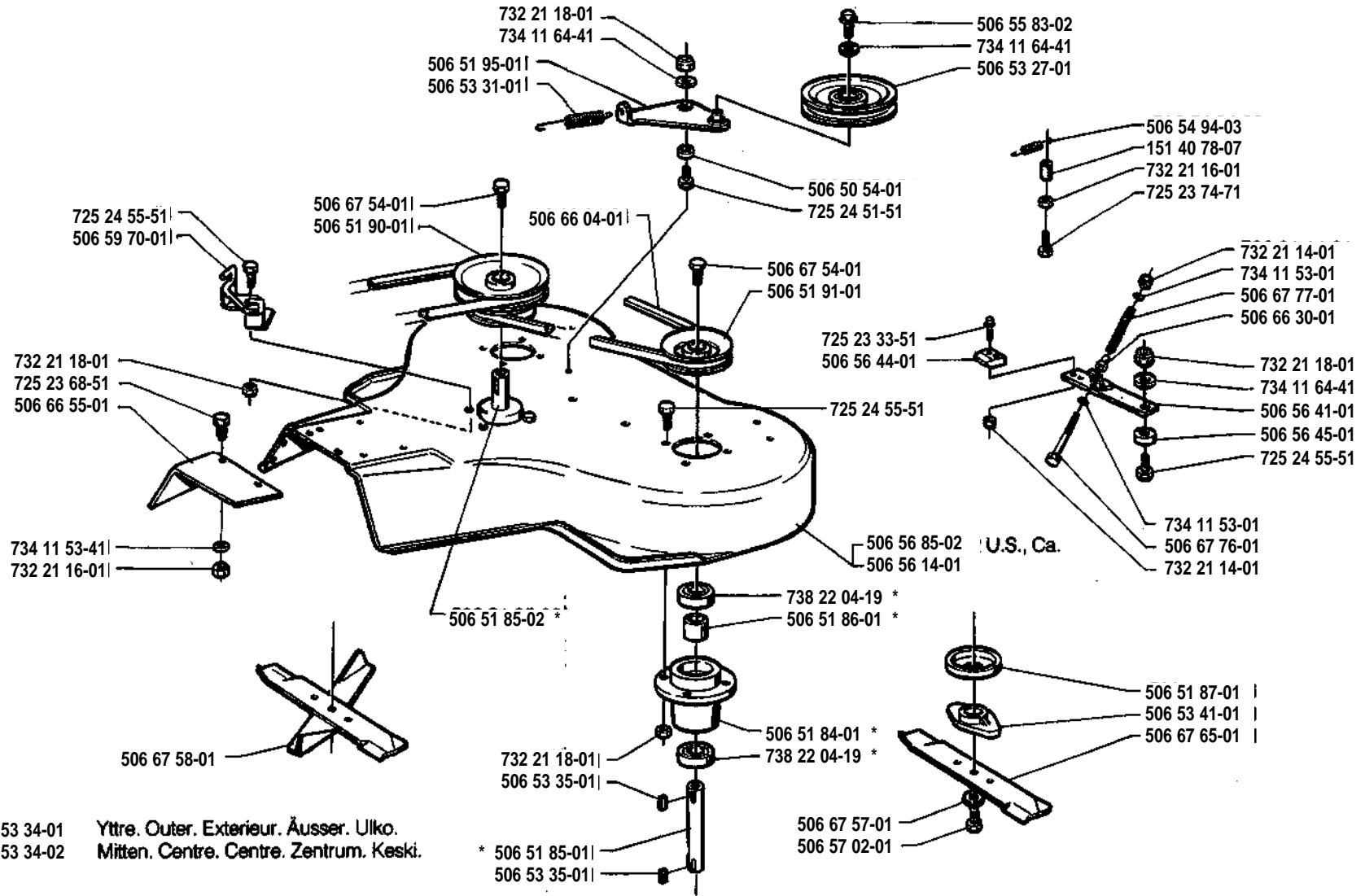
J

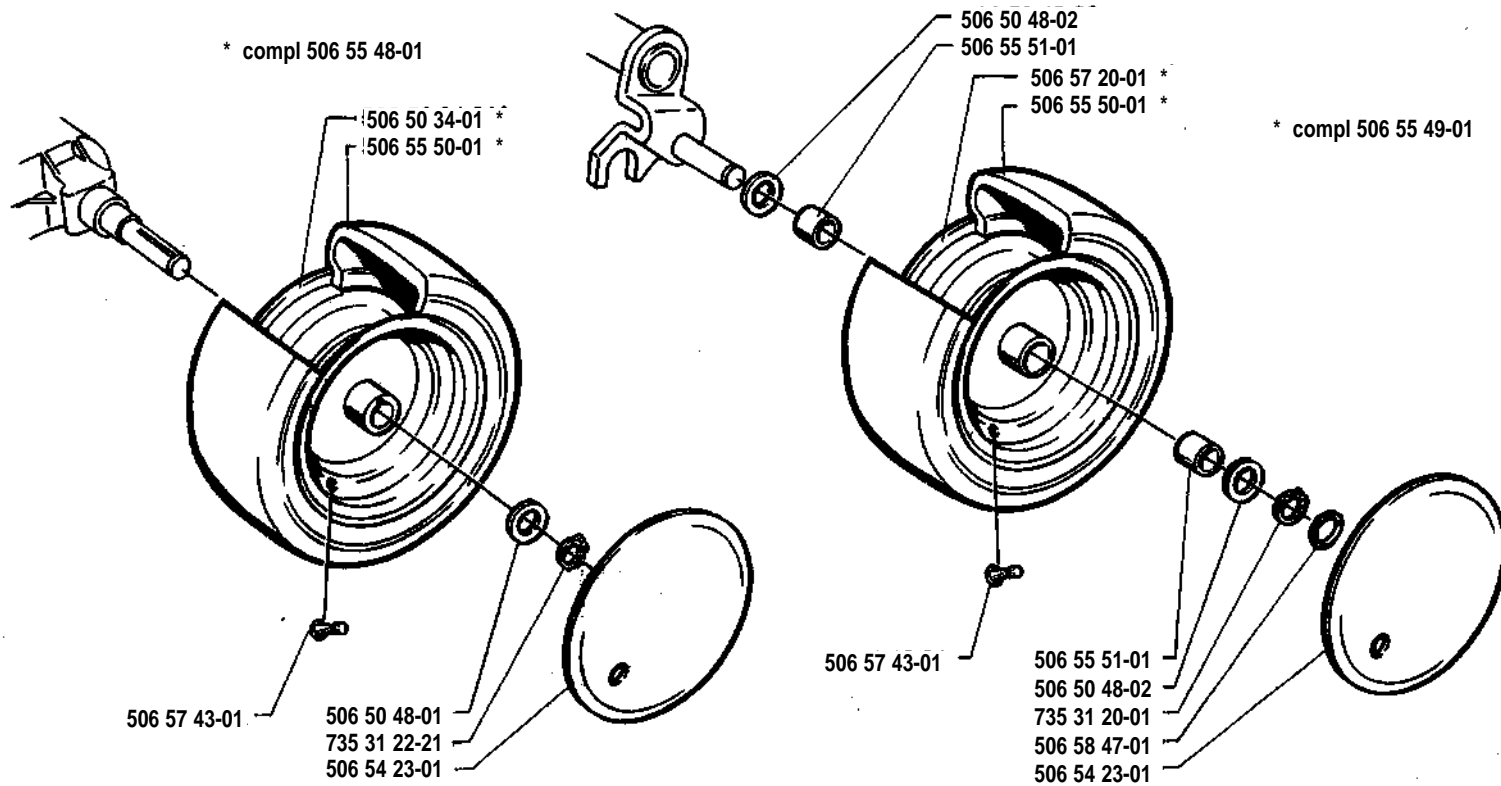
compl 506 56 04-01
compl 506 56 04-02

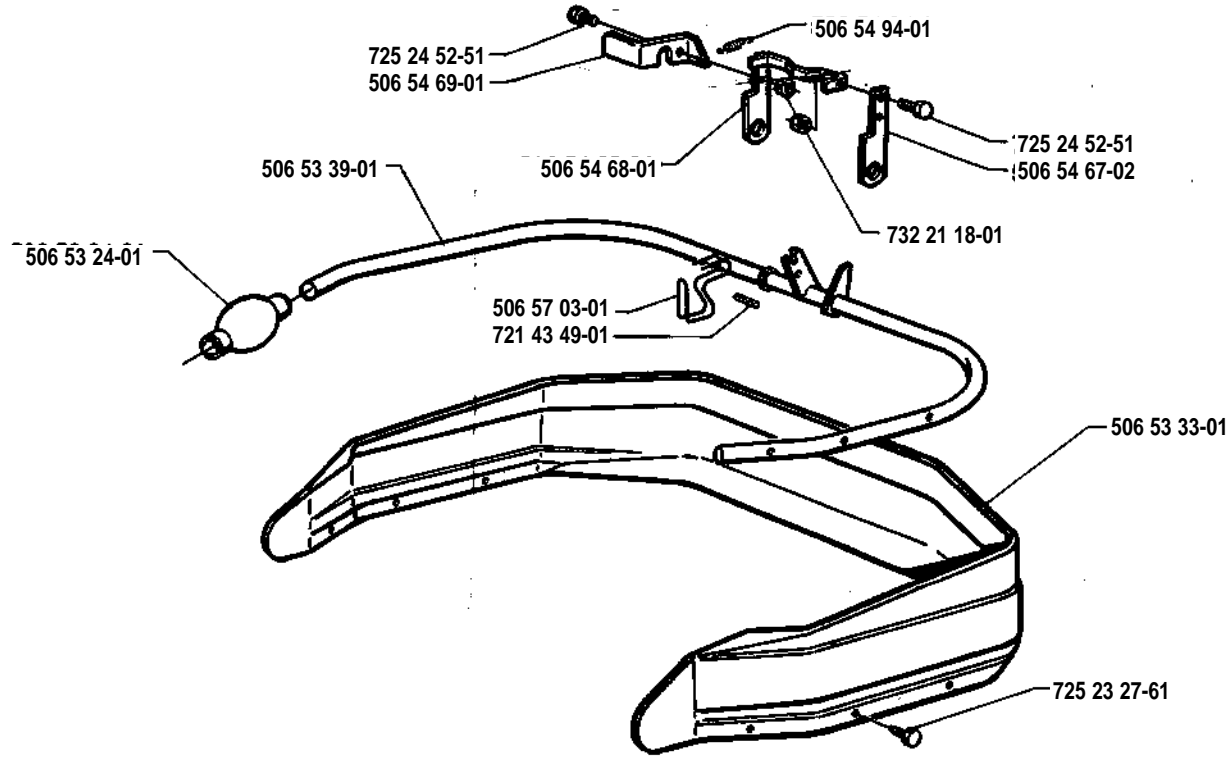
U.S., Ca.



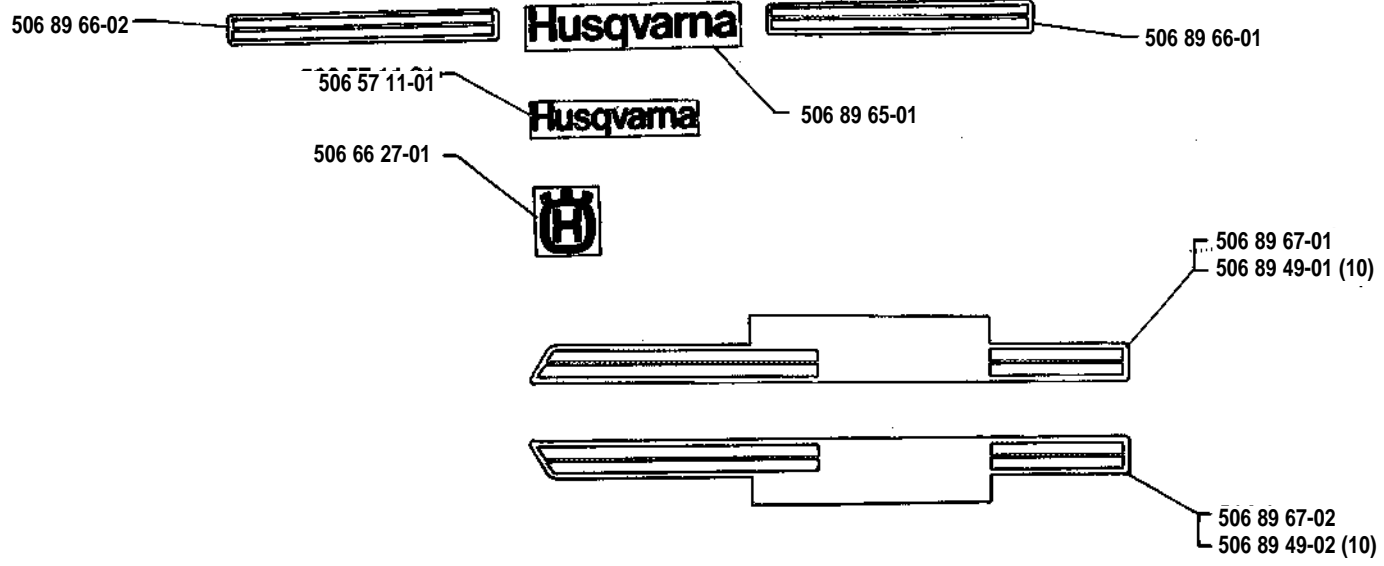
K



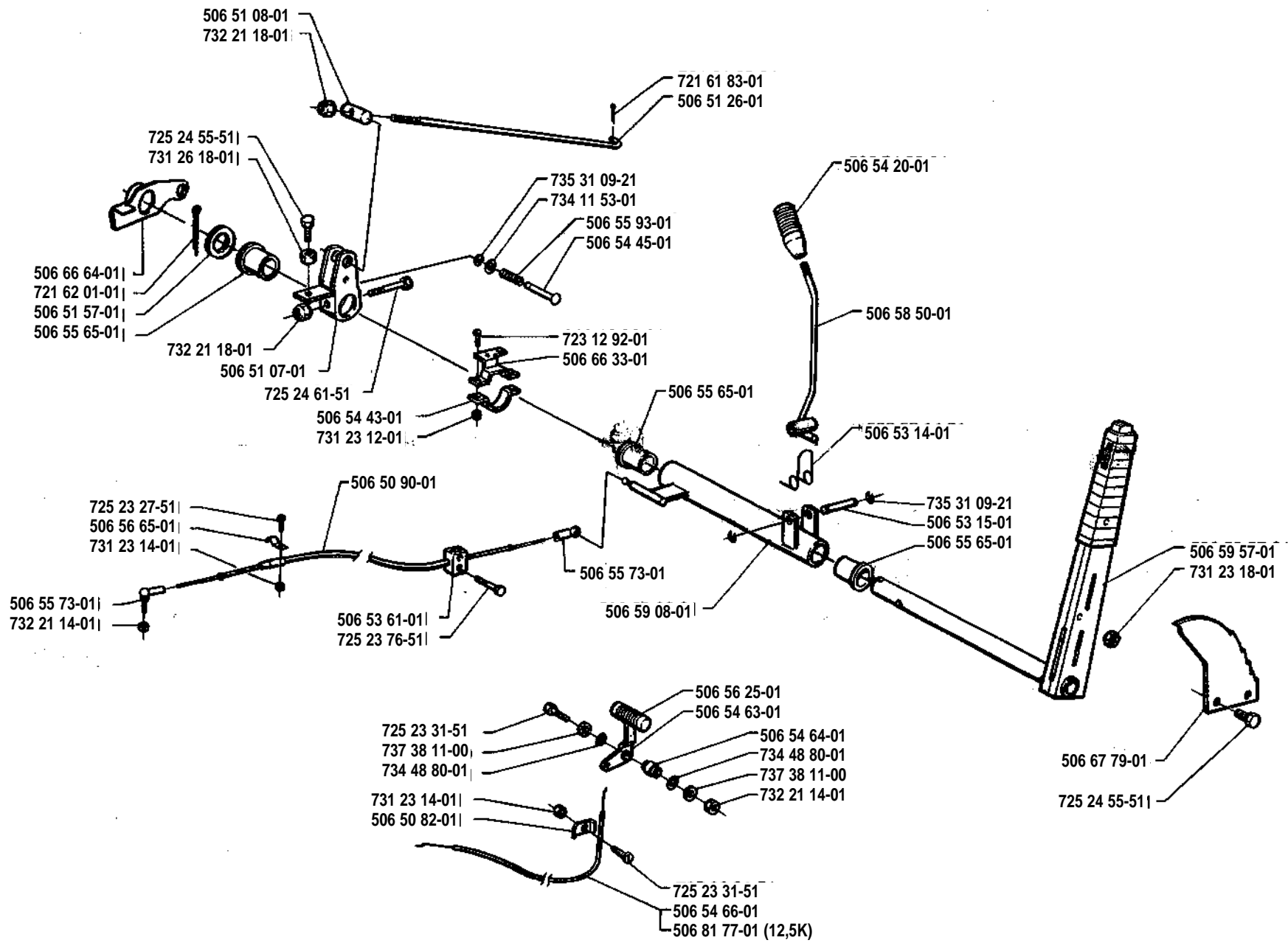




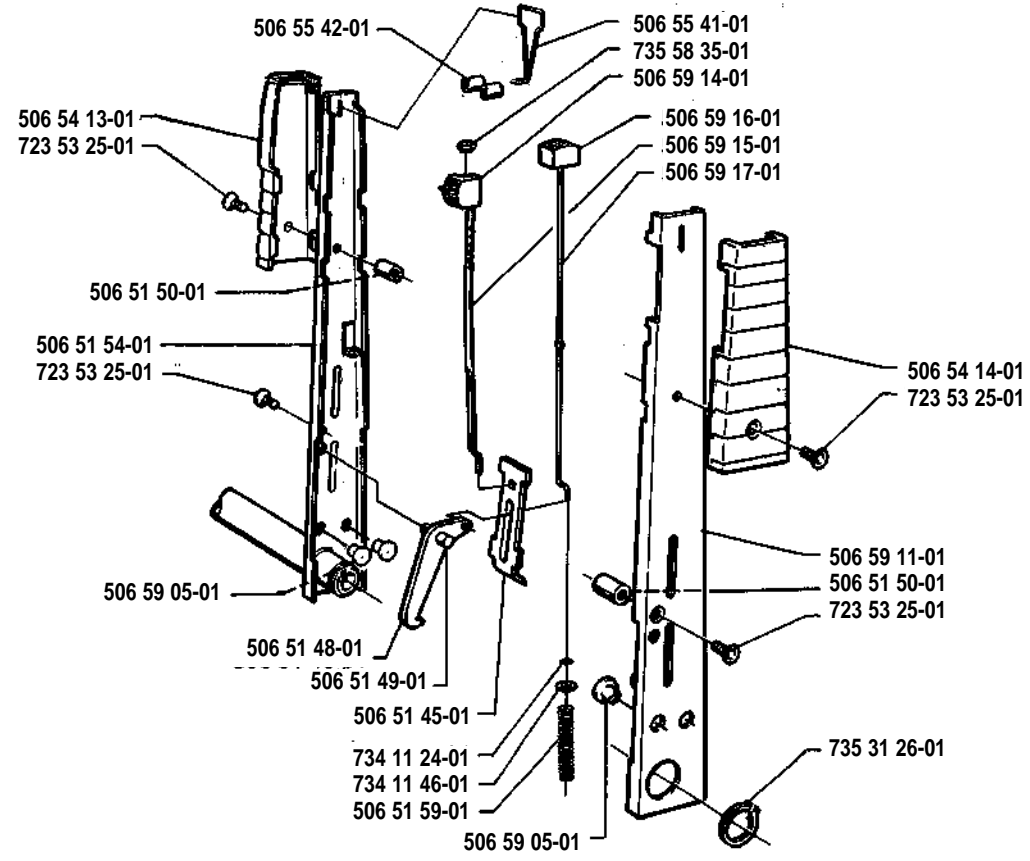
N



P



R



8

