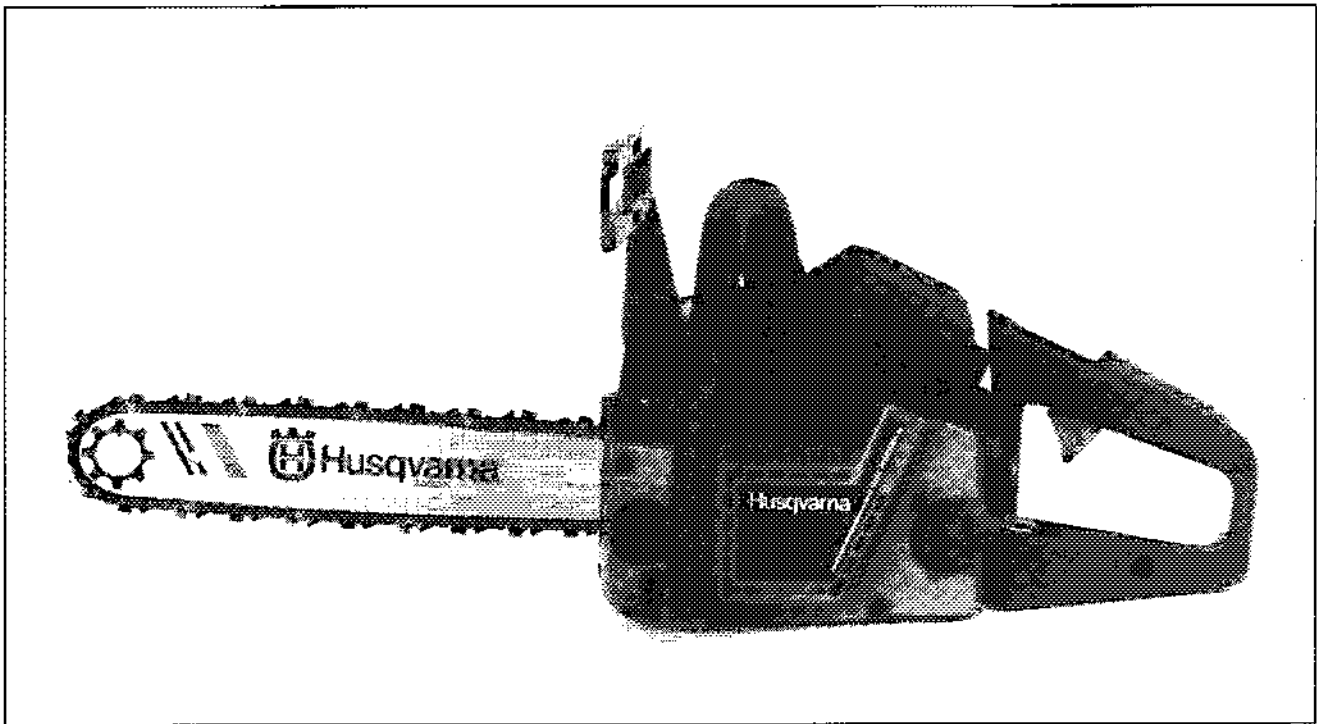


40



1.1991

Spare parts

Ersatzteile

Pièces détachées

Repuestos

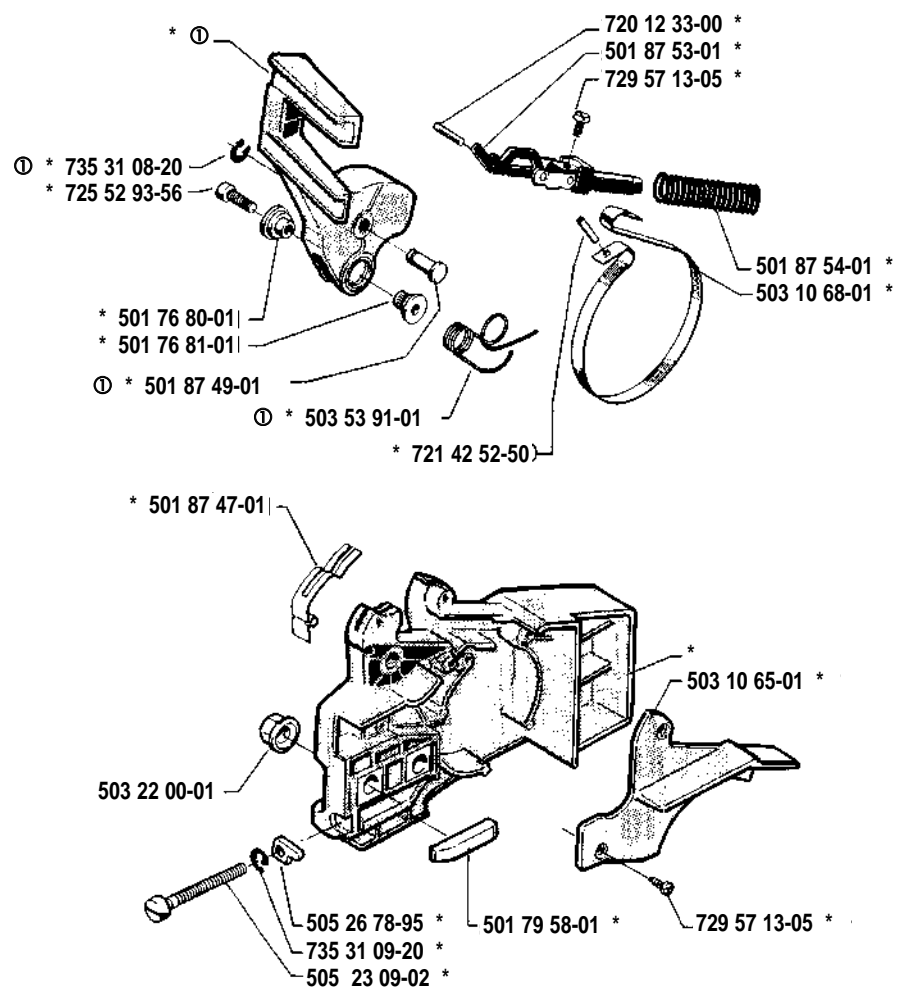
Reservdelar

MODEL NUMBER 40

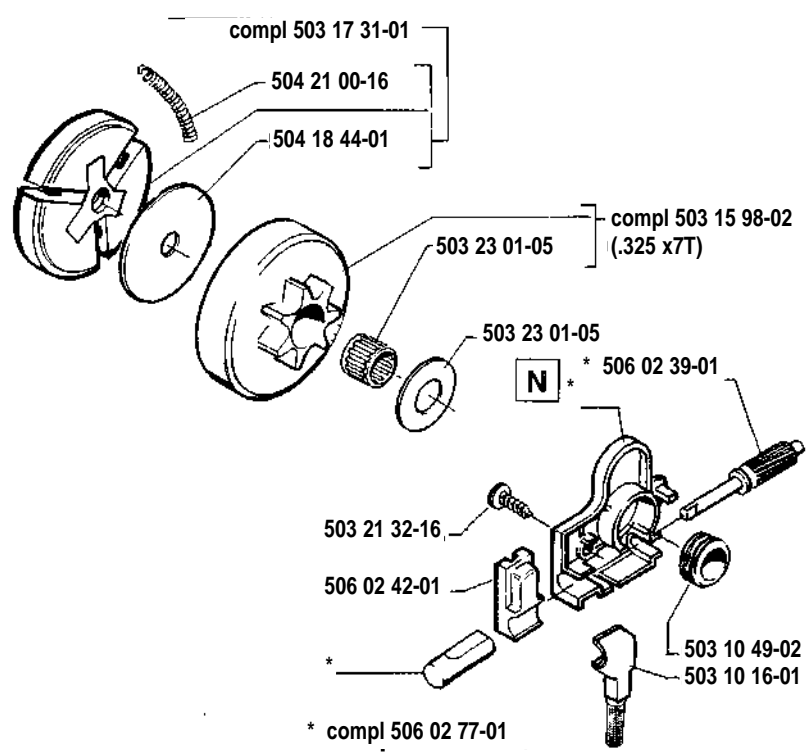
PARTNUMBER	SQUARE	NOTE	PARTNUMBER	SQUARE	NOTE	PARTNUMBER	SQUARE	NOTE	PARTNUMBER	SQUARE	NOTE
501 45 16-01	C,G		503 28 90-03	C		503 54 39-01	L		738 22 02-25	G	
501 48 54-03	H		503 41 22-01	D		503 55 16-01	K	N			
501 52 78-01	D		503 41 31-01	D		503 57 38-02	G				
501 63 06-01	L		503 41 32-01	D		503 57 89-01	K	N			
501 64 67-01	H		503 41 32-03	D		503 58 05-01	H				
501 69 17-01	N		503 44 06-01	H		503 58 08-01	H				
501 76 31-01	L		503 44 32-01	K		503 59 46-04	H				
501 76 80-01	A		503 47 86-01	M	N	503 59 51-01	F				
501 76 81-01	A		503 47 87-01	M	N	503 59 51-02	F				
501 76 83-18	K		503 47 88-01	M	N	503 63 12-01	L	N			
501 76 83-24	K		503 47 89-01	M	N	504 18 44-01	J				
501 77 00-02	D		503 47 90-01	M	N	504 21 00-16	J				
501 79 58-01	A		503 47 91-01	M	N	504 21 73-03	H				
501 87 47-01	A		503 47 93-01	M	N	504 35 72-01	K				
501 87 49-01	A		503 47 94-01	M	N	505 23 09-02	A				
501 87 53-01	A		503 47 95-01	M	N	505 26 78-95	A				
501 87 54-01	A		503 47 96-01	M	N	505 27 57-19	G				
502 71 27-01	N		503 47 97-01	M	N	505 30 51-25	L				
503 10 16-01	J		503 47 98-01	M	N	505 31 07-51	C,D				
503 10 23-01	F		503 47 99-01	M	N	506 01 06-07	C				
503 10 49-02	J		503 48 00-01	M	N	506 01 19-01	F				
503 10 52-02	D		503 48 01-01	M	N	506 01 20-01	F				
503 10 56-01	E		503 48 02-01	M	N	506 01 20-02	F				
503 10 57-01	E		503 48 03-01	M	N	506 01 30-01	K				
503 10 59-05	L	N	503 48 04-01	M	N	506 01 31-01	K				
503 10 61-01	B		503 48 05-01	M	N	506 01 32-02	D				
503 10 63-01	A		503 48 06-01	M	N	506 01 35-02	D				
503 10 65-01	A		503 48 07-01	M	N	506 01 37-01	H				
503 10 66-02	A		503 48 08-01	M	N	506 01 40-03	E				
503 10 68-01	A		503 48 09-01	M	N	506 01 44-02	E				
503 10 69-02	K		503 48 10-01	M	N	506 01 45-04	E				
503 11 92-02	E		503 48 11-01	M	N	506 01 46-01	E				
503 15 98-02	J		503 48 13-01	M	N	506 01 47-01	E				
503 17 31-01	J		503 48 14-01	M	N	506 01 49-01	N				
503 20 01-02	K		503 48 15-01	M	N	506 01 64-01	L				
503 20 55-20	H		503 48 16-01	M	N	506 02 39-01	J				
503 20 80-06	C		503 48 17-01	M	N	506 02 39-02	N	N			
503 21 32-16	DEHJKL		503 48 18-01	M	N	506 02 42-01	J				
503 21 32-45	D		503 48 19-01	M	N	506 02 75-05	K				
503 21 82-01	F		503 48 20-01	M	N	506 02 77-01	J				
503 22 00-01	A		503 48 21-01	M	N	506 03 16-04	K				
503 22 10-11	H		503 48 65-02	H		506 05 65-02	G	N			
503 22 20-01	F		503 48 90-01	C		720 12 33-00	A				
503 22 70-01	B		503 49 25-01	K		721 42 52-50	A				
503 23 00-35	L		503 49 82-02	K		725 52 93-56	A				
503 23 01-01	H		503 50 20-01	B		725 53 29-55	E				
503 23 01-05	J		503 50 52-02	E		729 57 13-05	A				
503 23 51-08	C		503 51 28-01	H		735 31 08-20	A				
503 25 34-01	J		503 52 74-01	N	N	735 31 09-20	A				
503 28 31-01	D,M	N	503 53 91-01	A		737 44 10-00	C				

N=NEW PART
 NEUES TEIL
 NOUVELLE PIECE
 NUEVA PIEZA
 NY DETALJ

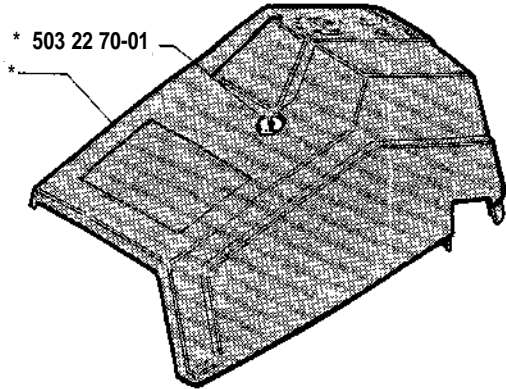
A * compl 503 10 63-01
 ① compl 503 10 66-02



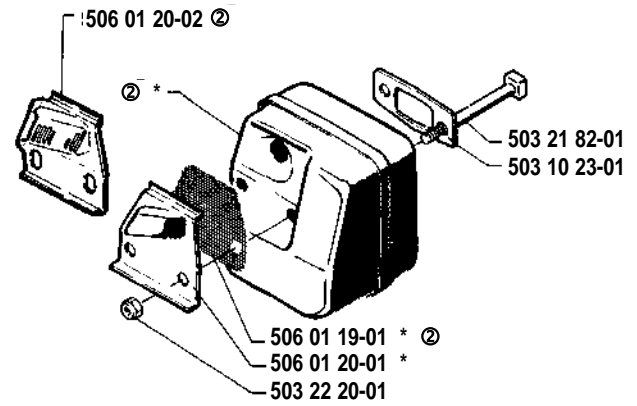
B



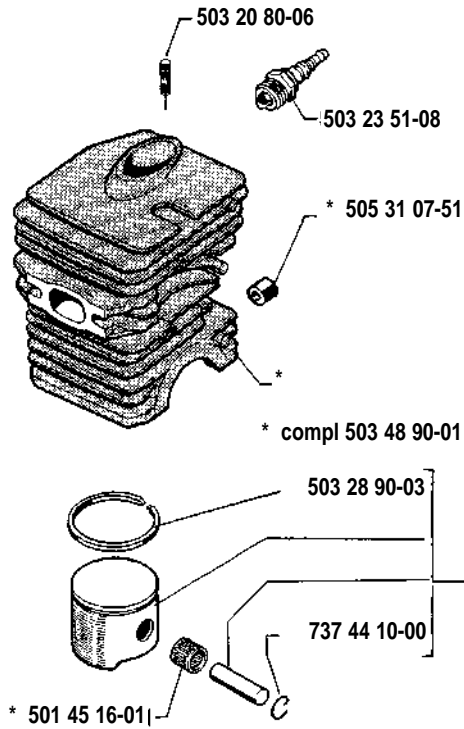
B * compl 503 10 61-01
* compl 503 50 20-01 (USA)



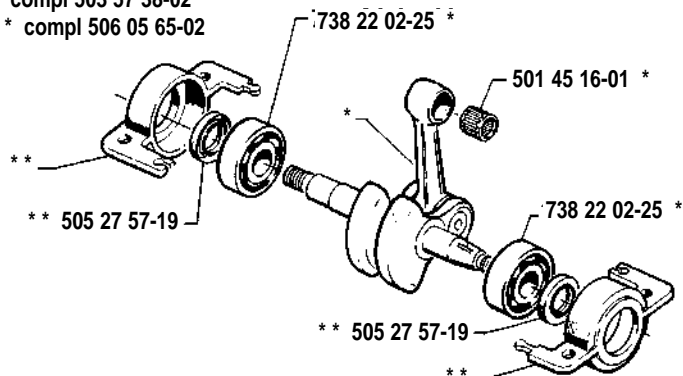
F * compl 503 59 51-01
(Ⓜ compl 503 59 51-02 (USA))

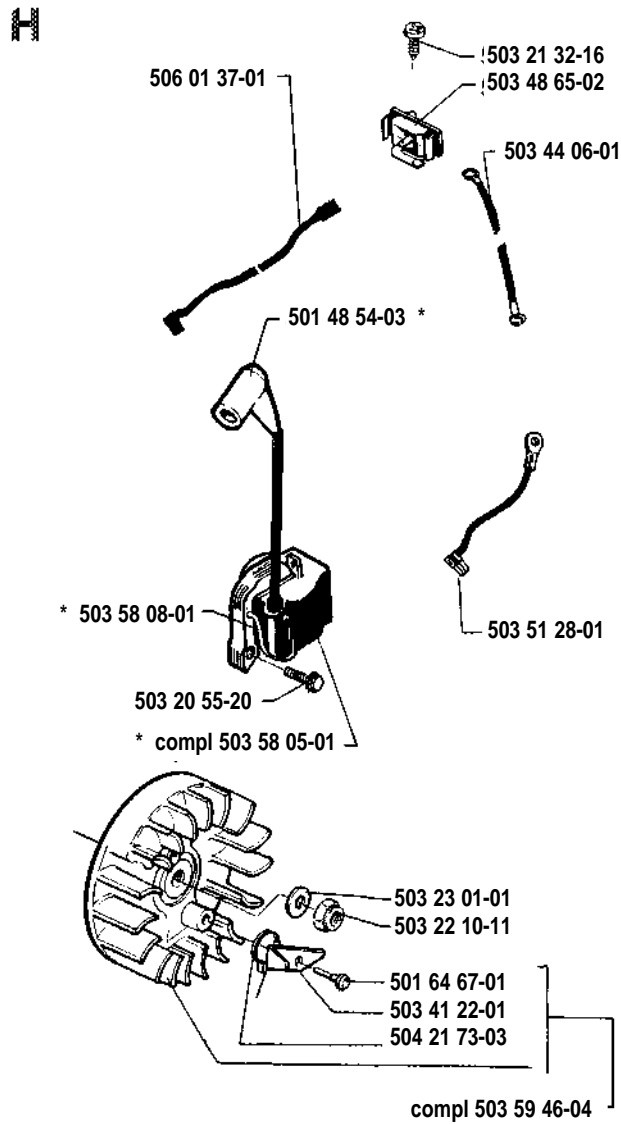
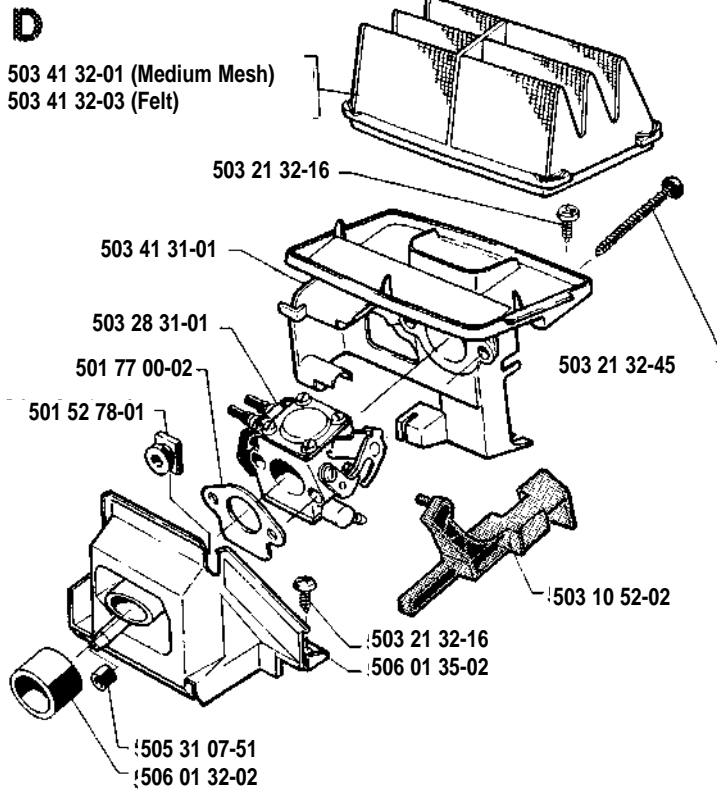


C * compl 506 01 06-07

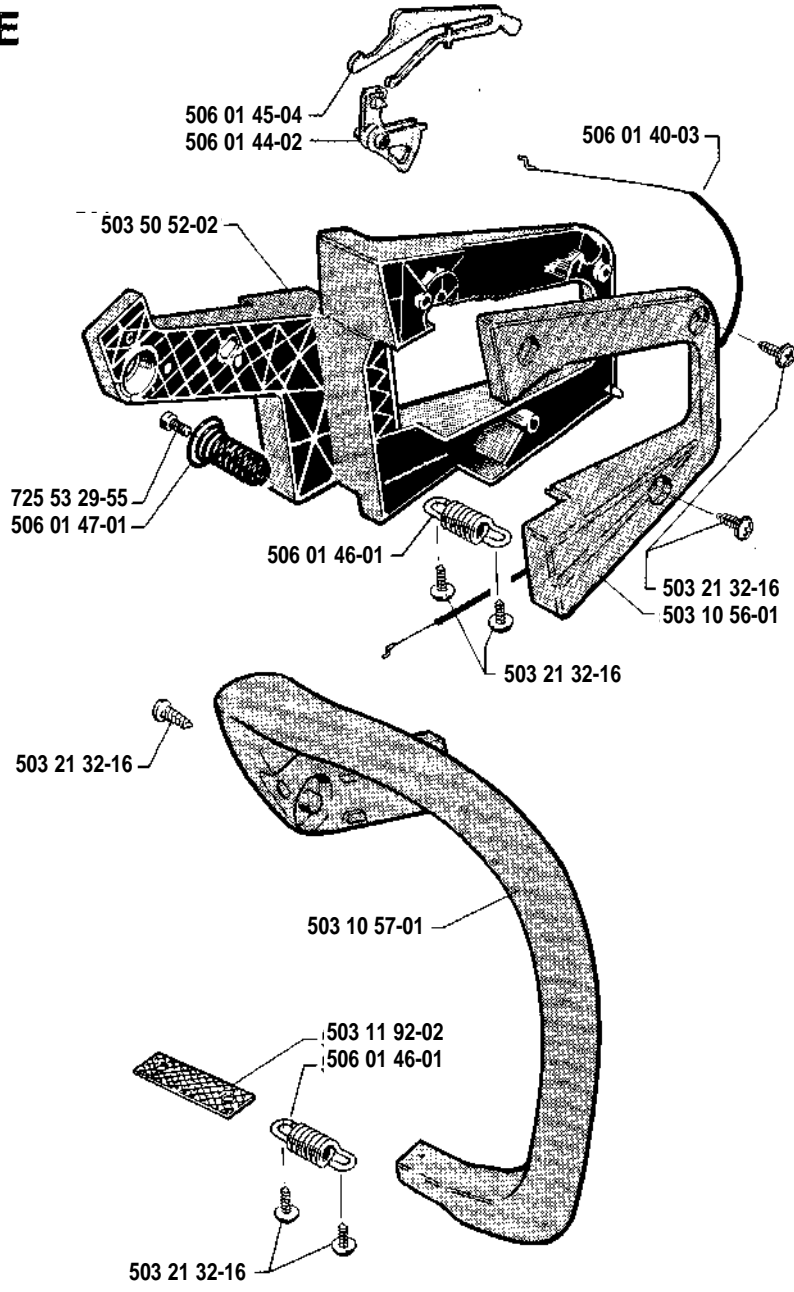


G * compl 503 57 38-02
** compl 506 05 65-02

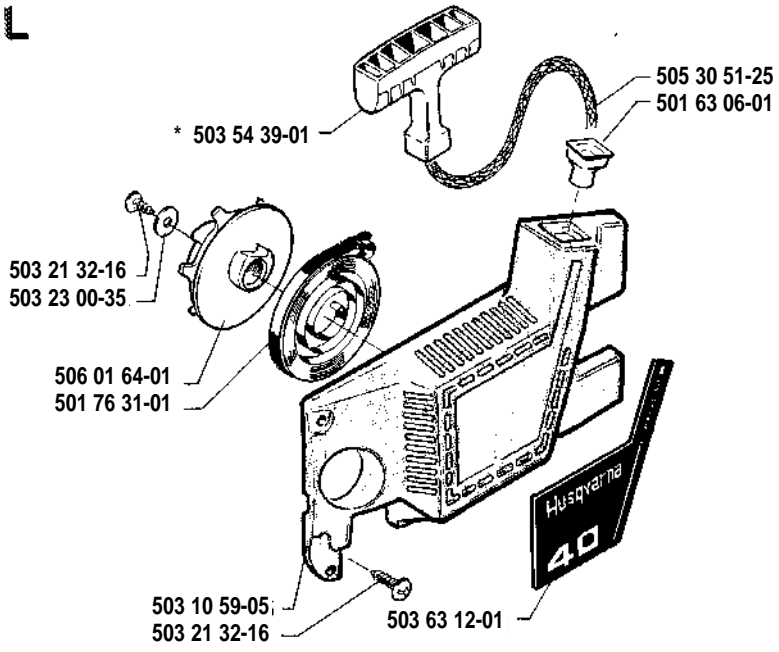




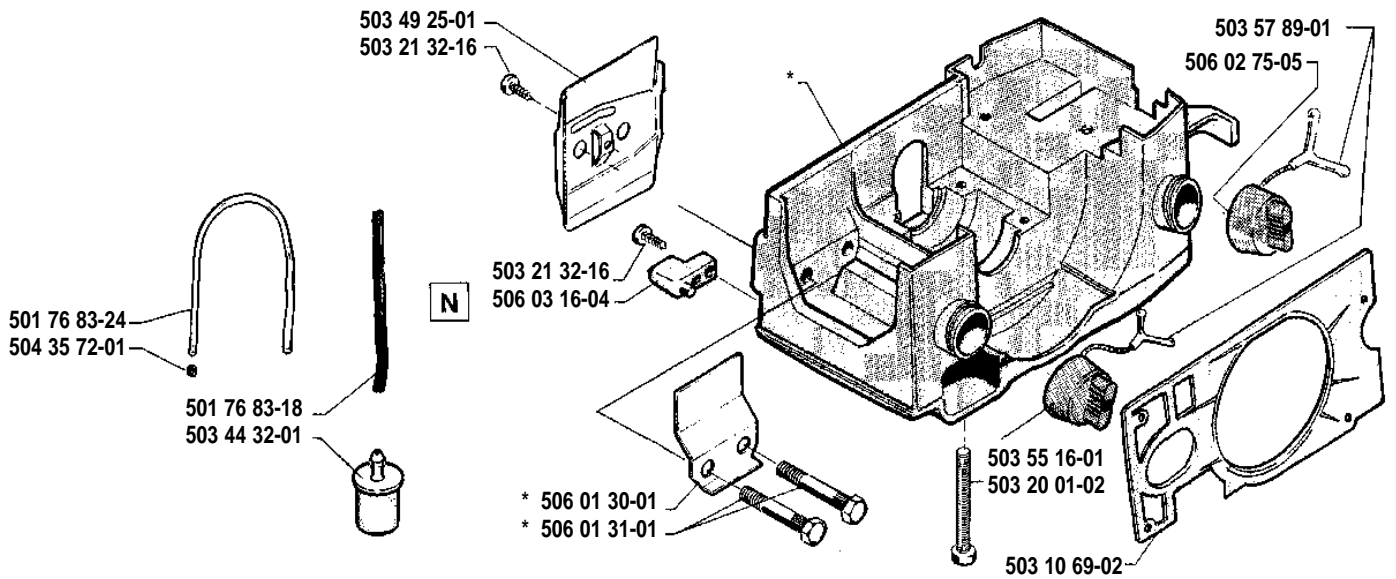
E



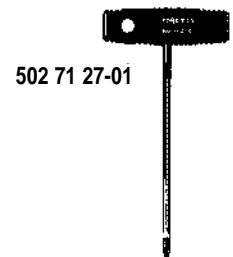
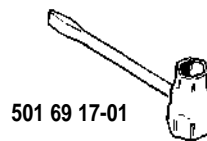
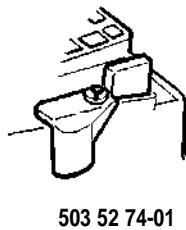
L



K * compl 503 49 82-02

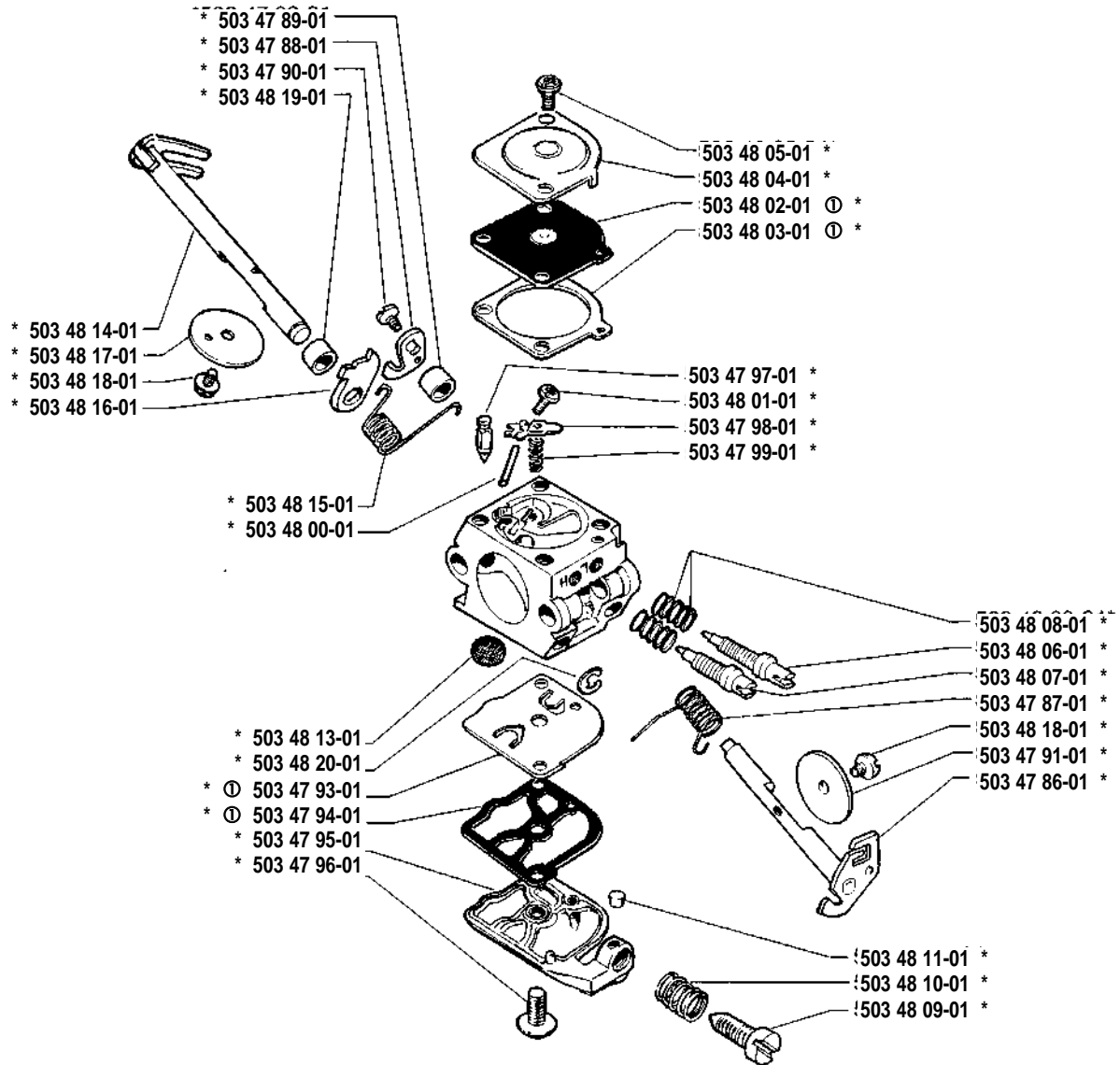


N Accessories
Zubehöre
Accessoires
Accesorios
Tillbehör



M * compl 503 28 31-01

ZAMA C1Q-EL1



(① 503 48 21-01
Set of gaskets
Dichtungssatz
Jeu de joints
Juego de Juntas
Packningssats