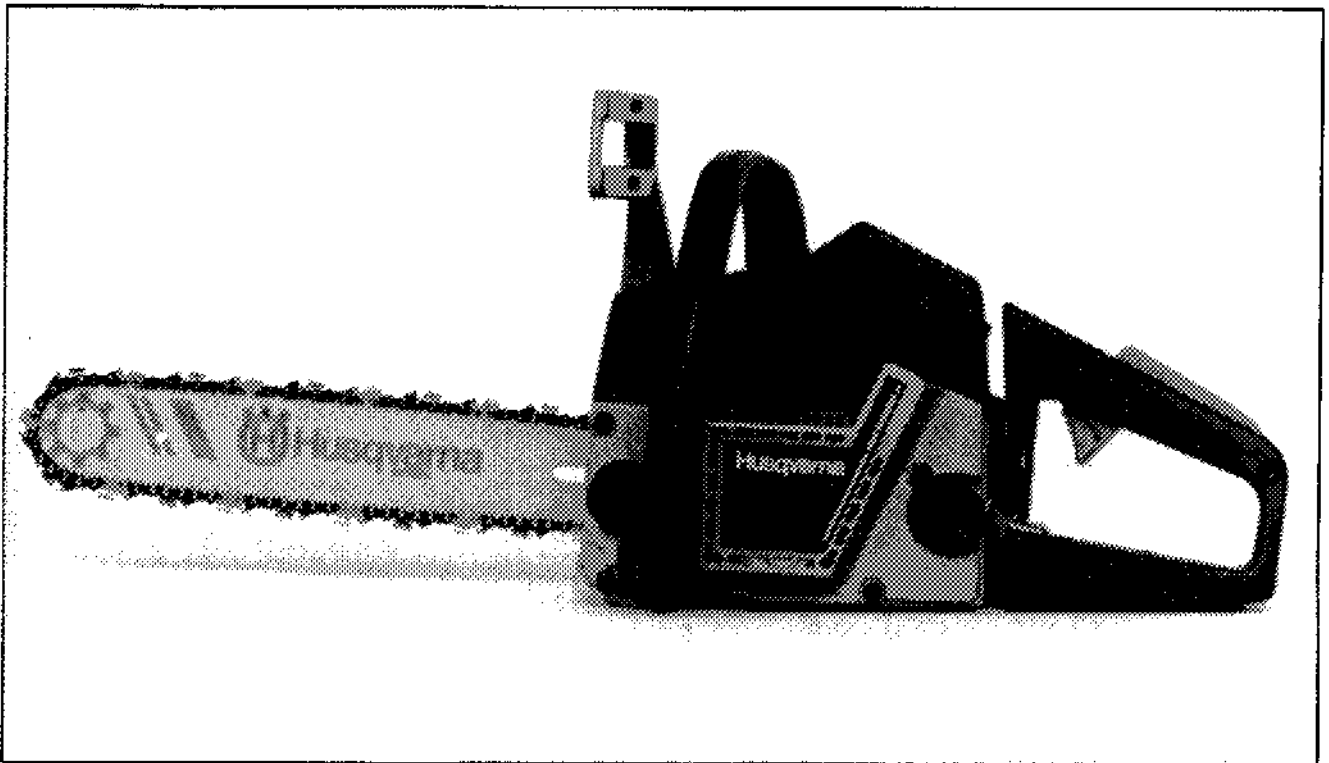




SERVICE 		11
		SX 90.129

45



1.1990

Spare parts

Ersatzteile

Pièces détachées

Repuestos

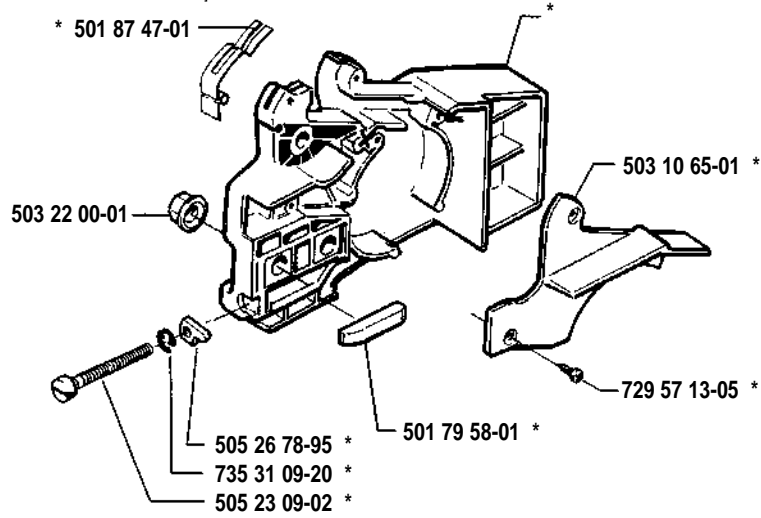
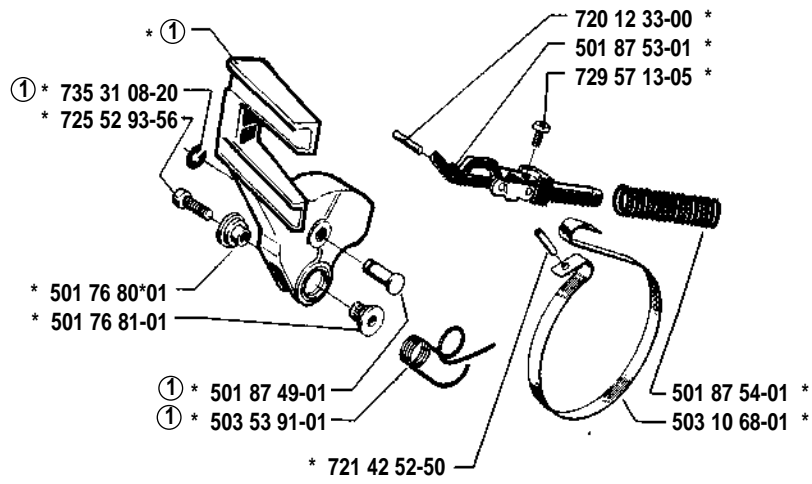
Reservdelar

MODEL NUMBER 45

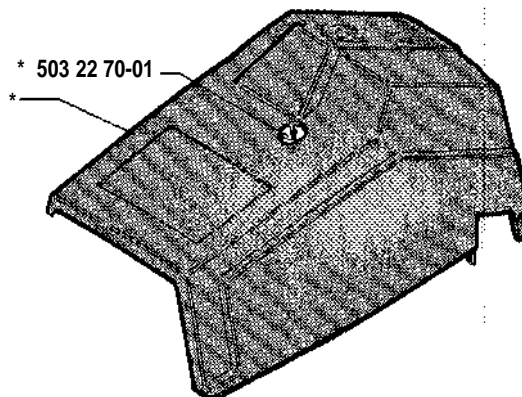
PARTNUMBER	SQUARE	NOTE	PARTNUMBER	SQUARE	NOTE	PARTNUMBER	SQUARE	NOTE	PARTNUMBER	SQUARE	NOTE
501 45 16-01	C,G		503 25 34-01	J		503 53 91-01	A				
501 48 54-02	H		503 28 31-01	D,M	N	503 54 39-01	L	N			
501 52 78-01	D		503 28 90-05	C	N	503 57 38-02	G				
501 53 16-01	H		503 41 22-01	H		503 59 46-03	H				
501 63 06-01	L		503 41 31-01	D		503 59 51-01	F				
501 64 67-01	H		503 41 32-01	D	N	503 59 51-02	F				
501 69 17-01	N		503 41 32-03	D		503 61 12-01	K				
501 76 31-01	L		503 44 06-01	H		504 18 44-01	J				
501 76 80-01	A		503 44 08-02	C		504 21 00-16	J				
501 76 81-01	A		503 44 10-01	C		504 21 73-03	H				
501 76 83-18	K		503 44 32-01	K		504 35 72-01	K				
501 76 83-24	K		503 47 86-01	M	N	505 23 09-02	A				
501 77 00-02	D		503 47 87-01	M	N	505 26 78-95	A				
501 79 58-01	A		503 47 88-01	M	N	505 27 57-19	G				
501 87 47-01	A		503 47 89-01	M	N	505 27 75-16	H				
501 87 49-01	A		503 47 90-01	M	N	505 30 51-25	L				
501 87 53-01	A		503 47 91-01	M	N	505 31 07-51	C,D				
501 87 54-01	A		503 47 93-01	M	N	506 01 19-01	F				
502 71 27-01	N		503 47 94-01	M	N	506 01 20-01	F				
503 10 16-01	J		503 47 95-01	M	N	506 01 20-02	F				
503 10 23-01	F		503 47 96-01	M	N	506 01 30-01	K				
503 10 49-02	J		503 47 97-01	M	N	506 01 31-01	K				
503 10 52-02	D		503 47 98-01	M	N	506 01 32-02	D				
503 10 56-01	E		503 47 99-01	M	N	506 01 35-02	D				
503 10 57-01	E		503 48 00-01	M	N	506 01 37-02	H				
503 10 59-04	L		503 48 01-01	M	N	506 01 40-03	E				
503 10 60-03	L		503 48 02-01	M	N	506 01 44-02	E				
503 10 61-02	B		503 48 03-01	M	N	506 01 45-04	E				
503 10 63-01	A		503 48 04-01	M	N	506 01 46-01	E				
503 10 65-01	A		503 48 05-01	M	N	506 01 47-01	E				
503 10 66-02	A		503 48 06-01	M	N	506 01 49-01	N				
503 10 68-01	A		503 48 07-01	M	N	506 01 64-01	L				
503 10 69-02	K		503 48 08-01	M	N	506 02 39-01	J				
503 11 92-02	E		503 48 09-01	M	N	506 02 42-01	J				
503 15 98-02	J		503 48 10-01	M	N	506 02 72-01	H				
503 17 31-01	J		503 48 11-01	M	N	506 02 75-05	K				
503 20 01-02	K		503 48 13-01	M	N	506 02 77-01	J				
503 20 55-20	H		503 48 14-01	M	N	506 03 16-04	K				
503 20 80-06	C		503 48 15-01	M	N	506 05 65-01	G				
503 21 32-16	DEH,KL		503 48 16-01	M	N	720 12 33-00	A				
503 21 32-45	D		503 48 17-01	M	N	721 42 52-50	A				
503 21 82-01	F		503 48 18-01	M	N	725 52 93-56	A				
503 22 00-01	A		503 48 19-01	M	N	725 53 29-55	E				
503 22 10-11	H		503 48 20-01	M	N	729 57 13-05	A				
503 22 20-01	F		503 48 21-01	M	N	735 31 08-20	A				
503 22 70-01	B		503 48 65-02	H		735 31 09-20	A				
503 23 00-35	L		503 49 25-01	K		737 44 10-00	C	N			
503 23 01-01	H		503 49 82-02	K		738 22 02-25	G				
503 23 01-05	J		503 50 20-02	B	N						
503 23 51-08	C		503 50 52-02	E							

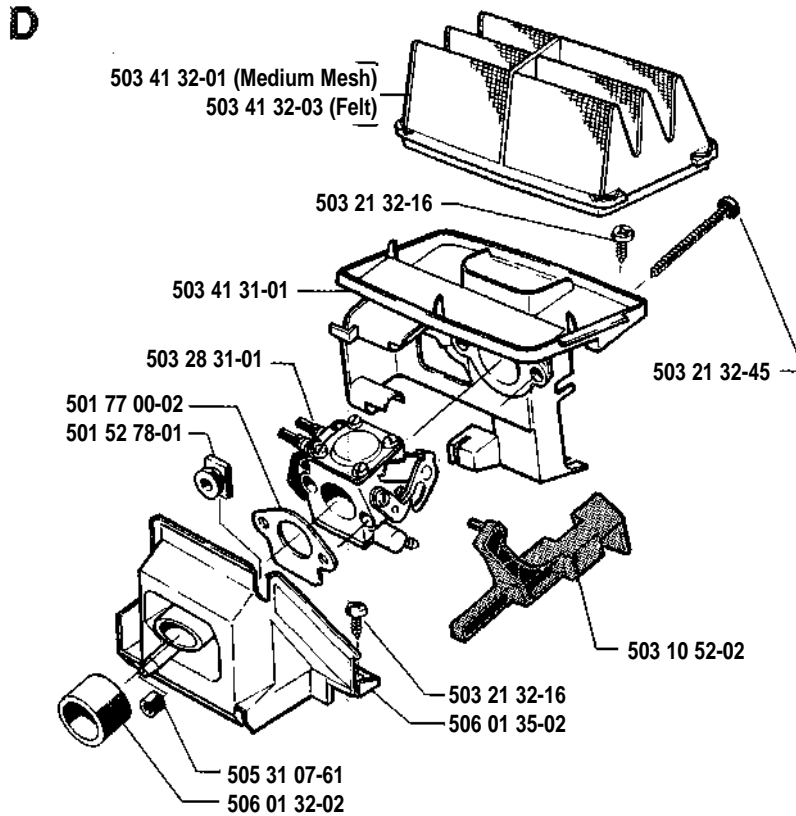
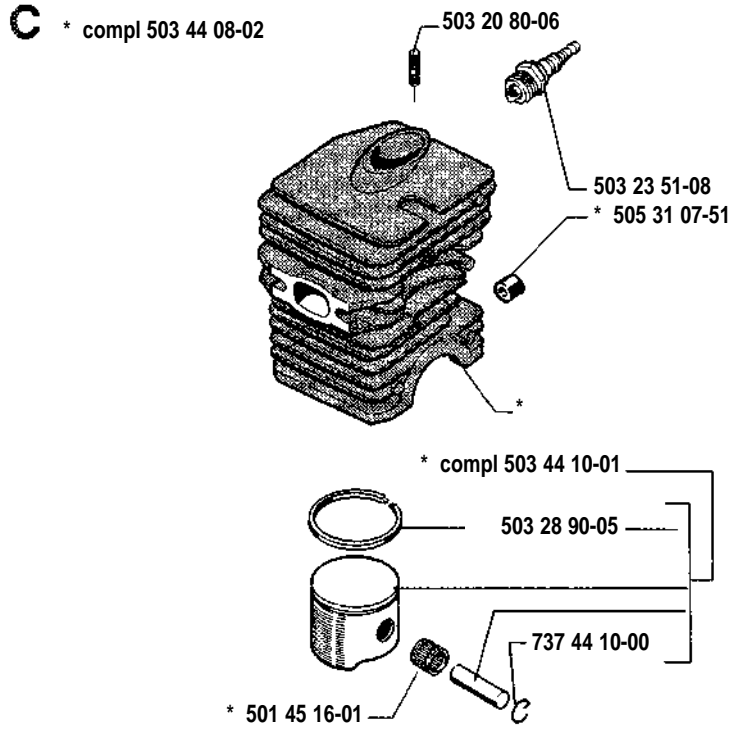
N=NEW PART
 NEUES TEIL
 NOUVELLE PIECE
 NUEVA PIEZA
 NY DETALJ

A * compl 503 10 63-01
① compl 503 10 66-02

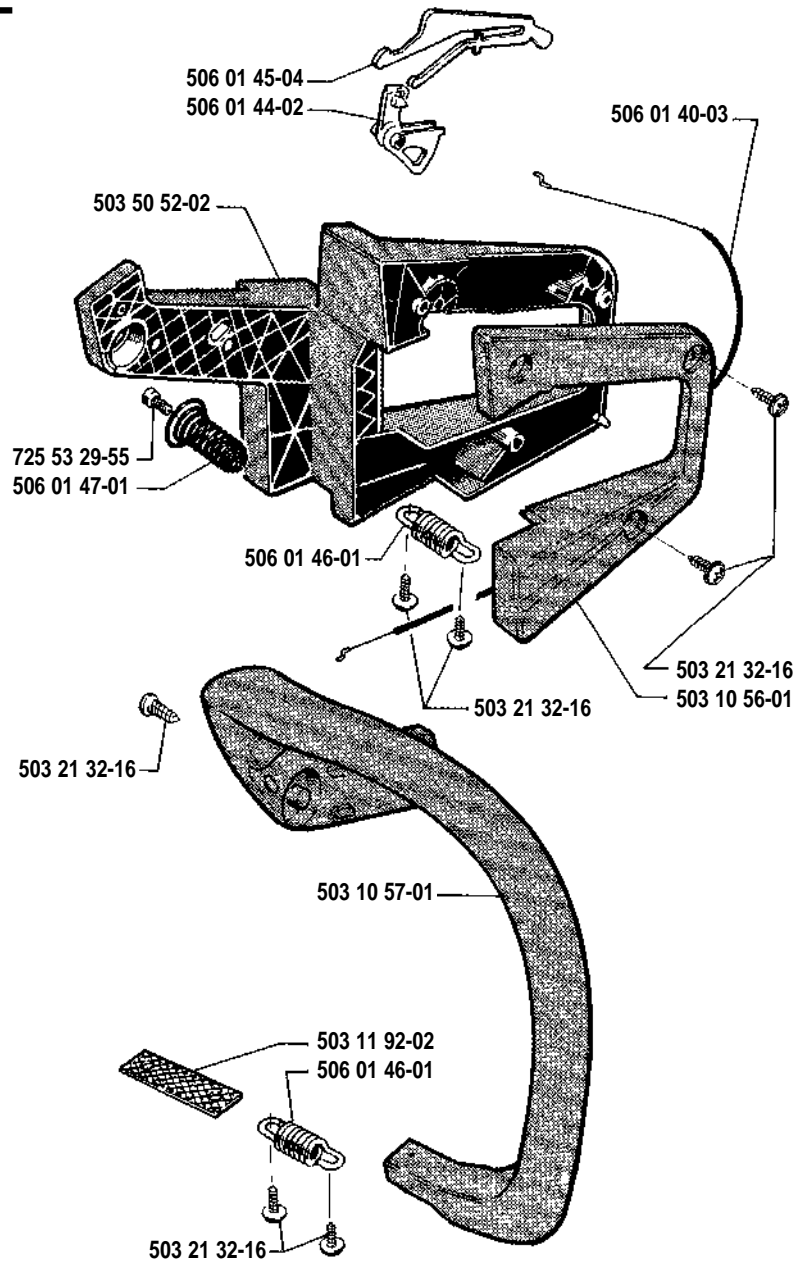


B * compl 503 10 61-02
* compl 503 50 20-02 (USA)

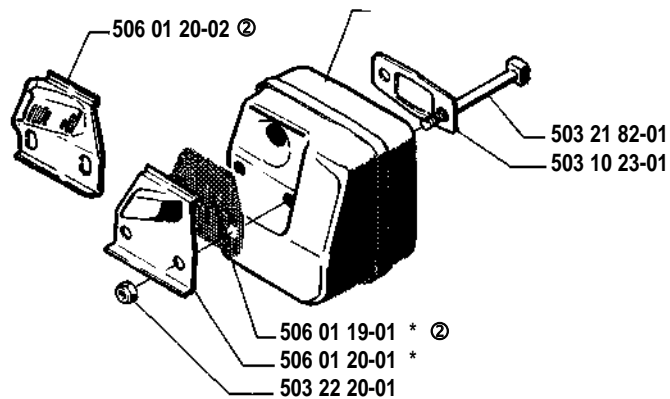


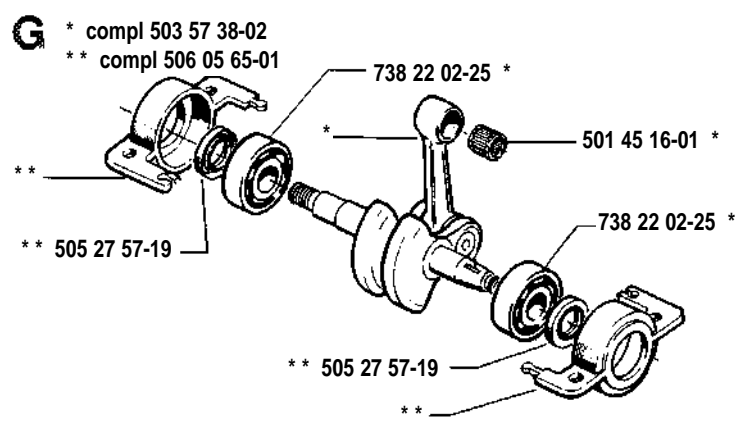


E

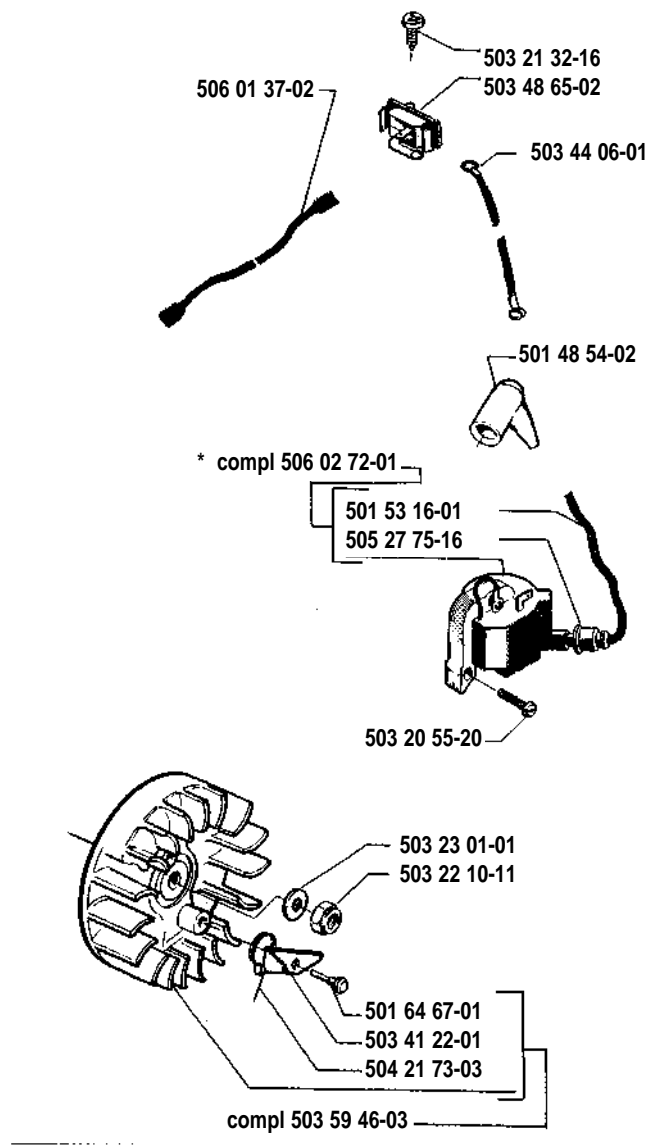


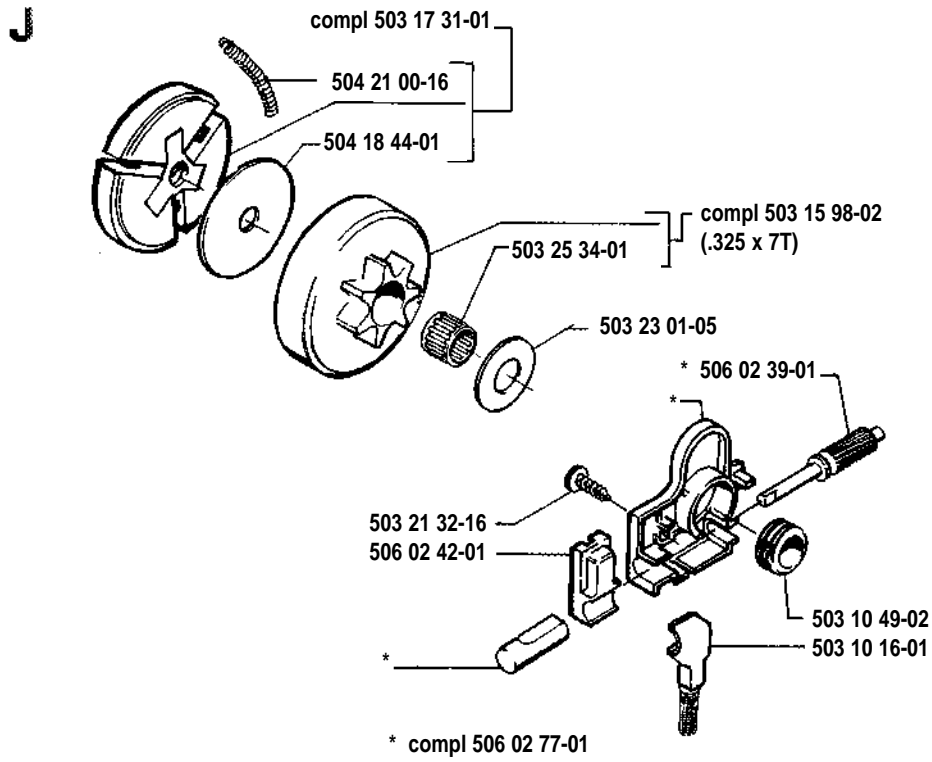
F * compl 503 59 51-01
 © compl 503 59 51-02 (USA)



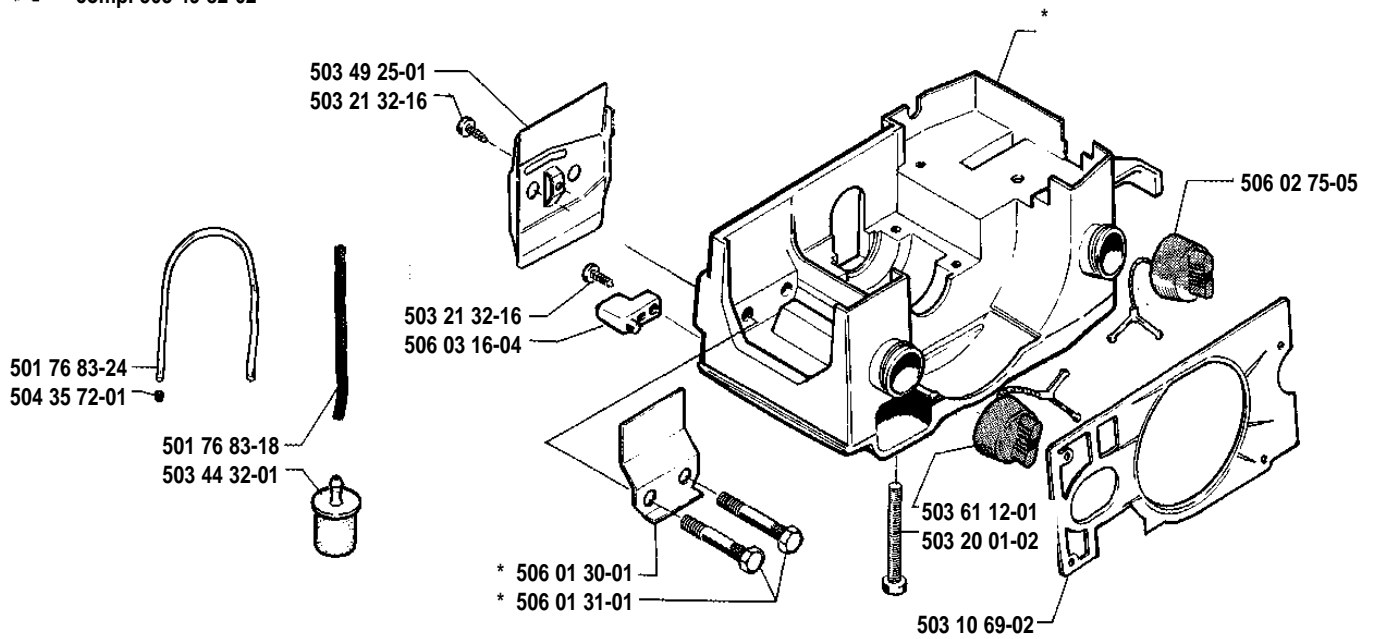


H

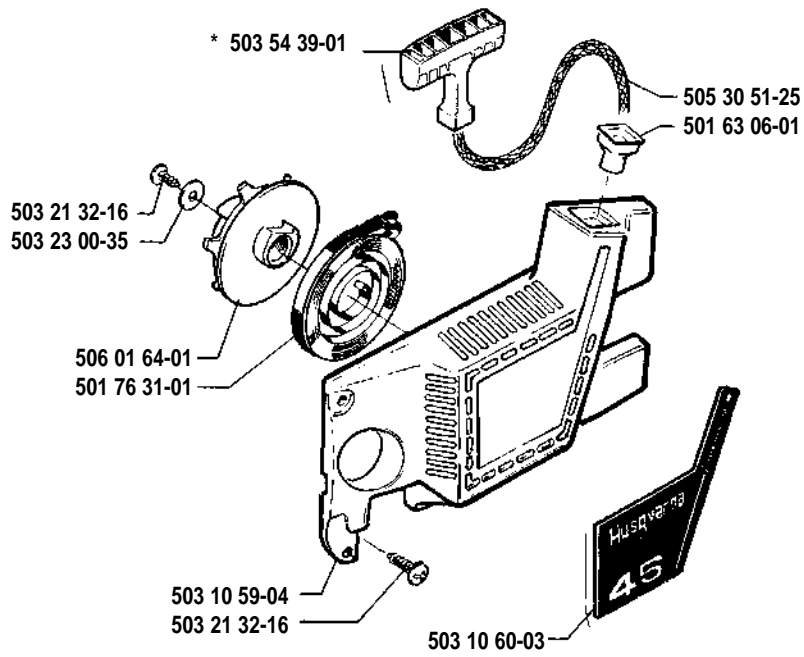




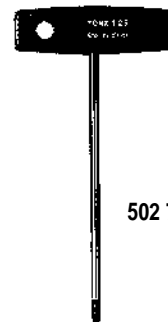
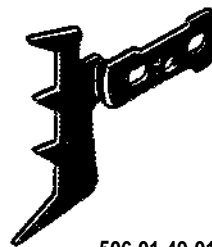
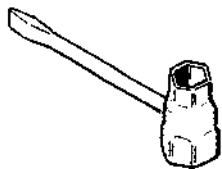
K * compl 503 49 82-02



L

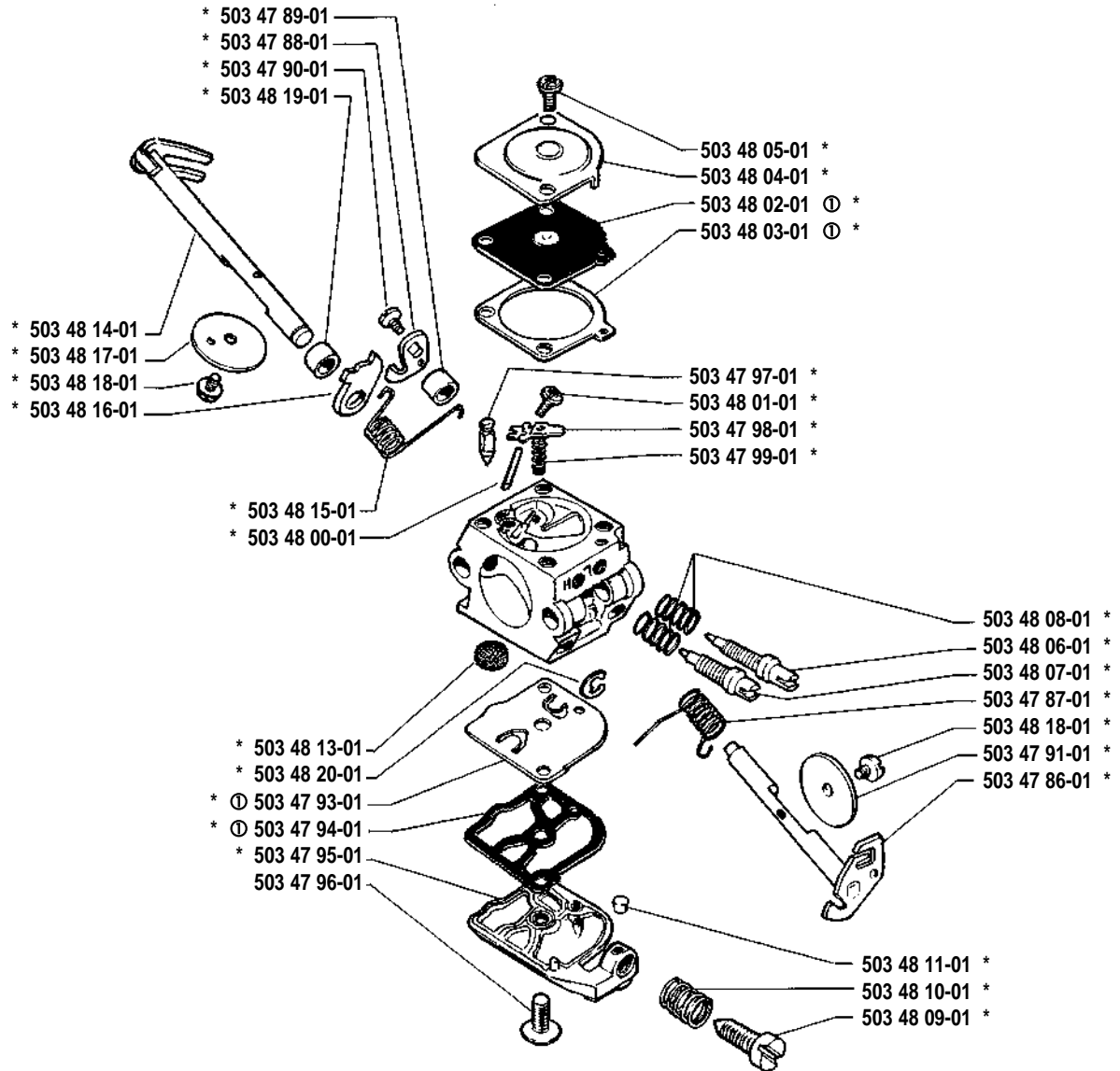


N Accessoires
Zubehöre
Accessories
Accessorios
Tillbehör



M * compl 503 28 31-01

ZAMA C1Q-EL1



① 503 48 21-01
Set of gaskets
Dichtungssatz
Jeu de joints
Juego de Juntas
Packningssats