

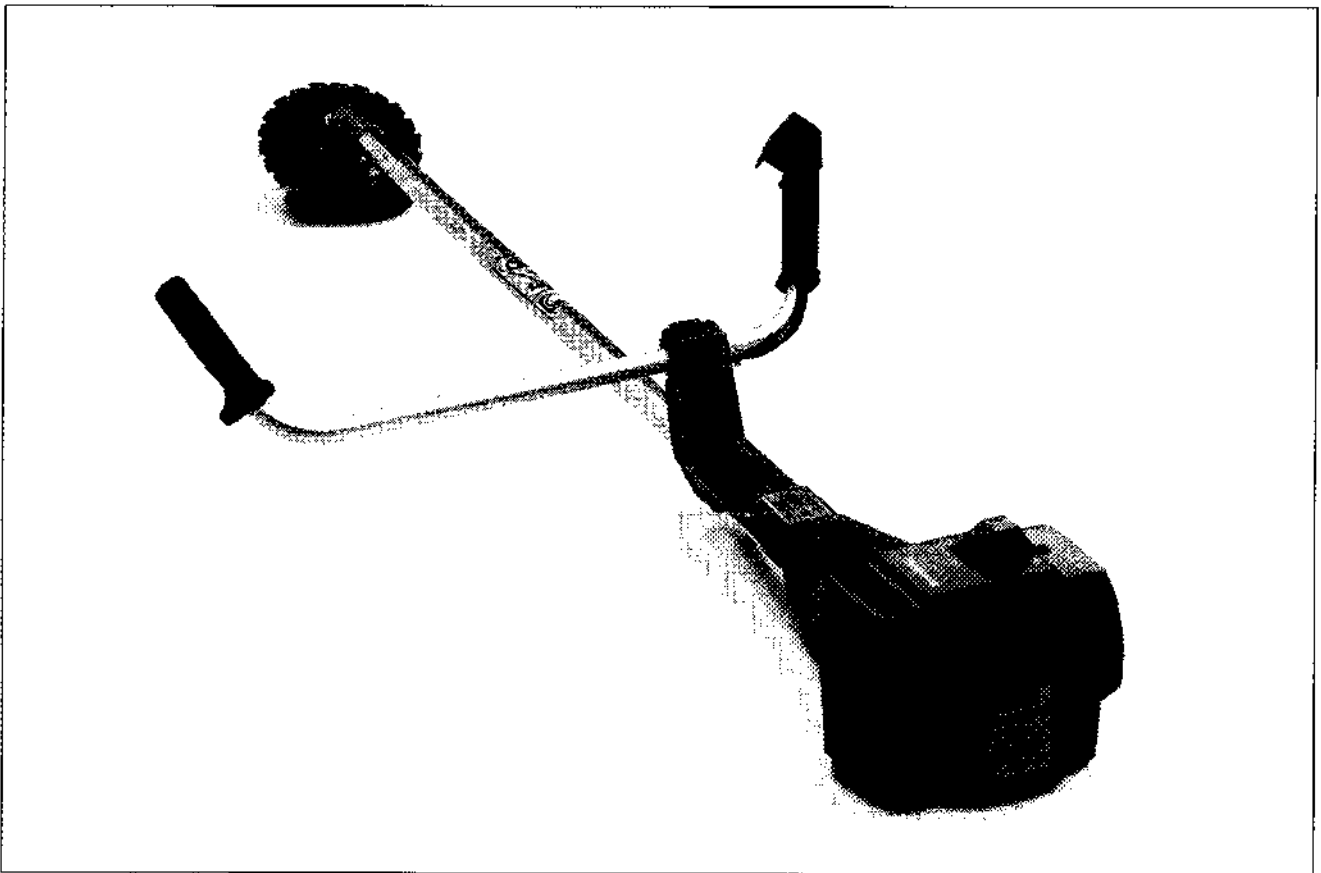


For Husqvarna Parts Call 606-678-9623 or 606-561-4983



SERVICE 		14
		SX 90.114

240R/245R/245RX



1.1990

Spare parts

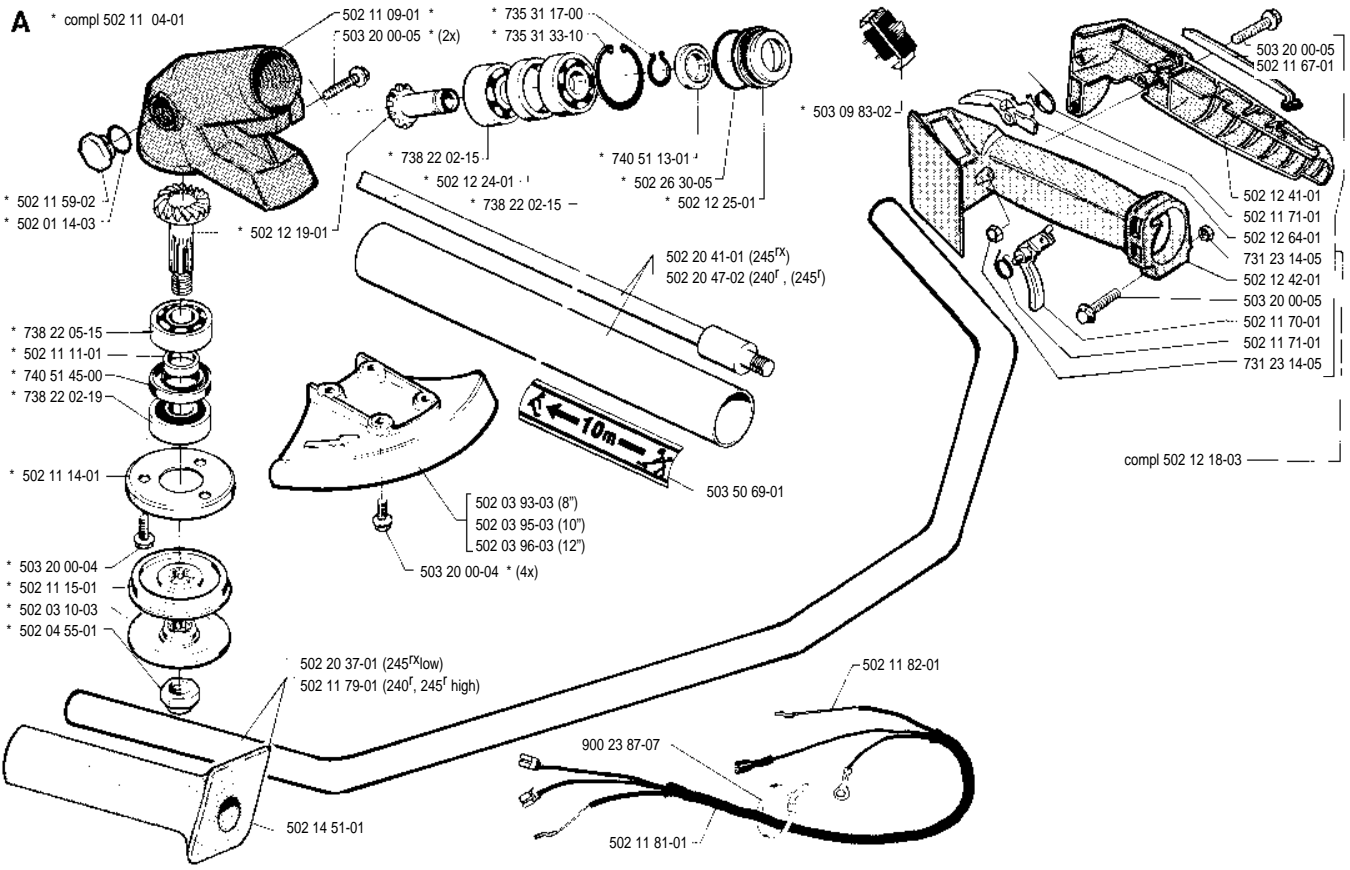
Ersatzteile

Pièces détachées

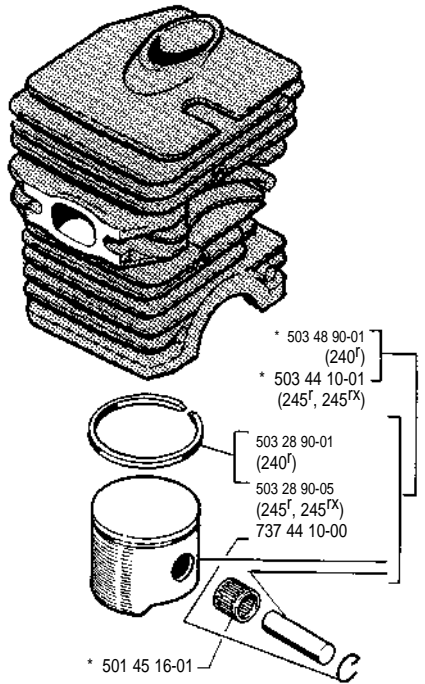
Repuestos

Reservdelar

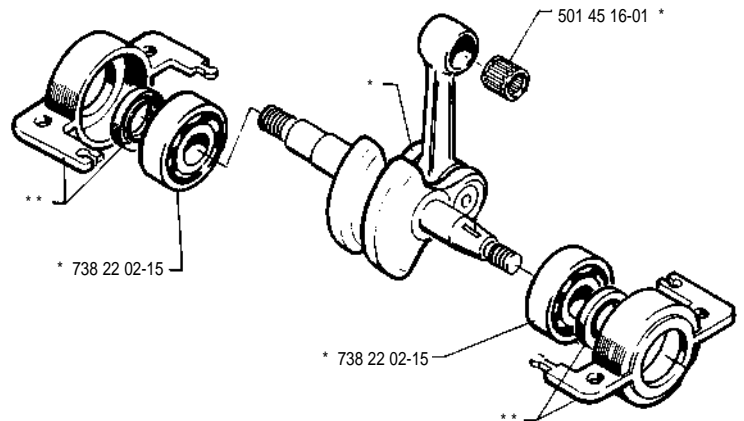
PARTNUMBER	SQUARE	NOTE	PARTNUMBER	SQUARE	NOTE	PARTNUMBER	SQUARE	NOTE	PARTNUMBER	SQUARE	NOTE
501 45 16-01	B,F		502 11 94-01	N		504 21 00-50	N				
501 46 69-01	N		502 11 96-01	N		504 21 73-03	G				
501 46 84-01	N		502 11 97-01	N		504 35 09-05	N				
501 46 87-01	N		502 11 98-01	N		505 27 75-16	G				
501 48 54-02	G		502 12 06-01	J		505 30 51-25	M				
501 53 16-01	G		502 12 18-03	A		505 31 07-51	C				
501 53 82-04	E		502 12 19-01	A		505 31 67-17	N				
501 63 60-04	K		502 12 20-01	E		505 31 67-54	N				
501 64 67-01	G		502 12 21-01	F		505 31 67-82	N				
501 66 61-01	N		502 12 23-04	D		505 52 01-10	N				
501 66 78-01	N		502 12 23-05	D		505 52 01-25	N				
501 76 31-01	M		502 12 23-06	D		505 52 01-27	N				
501 76 83-23	C		502 12 24-01	A		506 01 06-07	C				
501 77 00-02	C		502 12 25-01	A		506 01 32-02	C				
501 83 89-02	K		502 12 41-01	A		506 01 64-01	M				
502 01 14-03	A		502 12 42-01	A		506 02 72-01	G				
502 02 27-01	O		502 12 56-01	E		506 02 80-01	N				
502 02 28-01	O		502 12 64-01	A		506 02 83-01	N				
502 02 29-02	O		502 14 51-01	A		725 52 91-56	E				
502 02 30-02	O		502 17 00-01	O		725 52 95-55	G				
502 02 38-01	O		502 17 01-01	O		729 24 12-01	M				
502 03 10-03	A		502 17 02-01	O		731 23 14-05	A,H				
502 03 55-03	O		502 17 05-01	O		735 11 64-50	G				
502 03 64-01	O		502 20 21-01	E		735 31 09-20	O				
502 03 93-03	A		502 20 37-01	A		735 31 17-00	A				
502 03 95-03	A		502 20 41-01	M		735 31 33-10	A				
502 03 96-03	A		502 20 42-01	M		737 44 10-00	B				
502 04 55-01	A		502 20 43-01	M		738 22 02-15	A,F				
502 08 83-02	J		502 20 47-01	A		738 22 02-19	A				
502 10 21-01	N		502 20 47-02	A		740 51 13-01	A				
502 10 28-01	N		502 51 27-01	O		740 51 45-00	A				
502 10 29-01	N		503 08 20-01	N		900 23 87-07	A				
502 10 30-01	N		503 09 83-02	A							
502 10 31-01	N		503 10 23-02	E							
502 10 32-01	N		503 10 47-01	N							
502 10 35-01	N		503 10 87-01	N							
502 11 03-01	O		503 20 00-04	A,C,K,M							
502 11 04-01	A		503 20 00-05	A,H,K							
502 11 06-02	M		503 20 00-08	H							
502 11 07-03	L		503 20 00-29	D							
502 11 09-01	A		503 20 00-33	L							
502 11 11-01	A		503 21 14-02	J							
502 11 14-01	A		503 21 14-12	C							
502 11 15-01	A		503 21 82-01	E							
502 11 19-01	H		503 22 10-11	G							
502 11 20-01	C		503 22 20-01	E							
502 11 22-01	E		503 23 00-35	M							
502 11 25-01	E		503 23 51-12	G							
502 11 36-01	H		503 26 30-05	A							
502 11 37-02	H		503 28 13-20	C,N							
502 11 38-01	H,J		503 28 90-01	B							
502 11 39-02	C		503 28 90-05	B							
502 11 44-01	N		503 41 22-01	G							
502 11 45-01	D		503 44 08-02	B							
502 11 45-02	D		503 44 10-01	B							
502 11 46-01	O		503 44 32-01	C							
502 11 51-01	J		503 48 49-01	G							
502 11 52-01	K		503 48 90-01	B							
502 11 53-02	M		503 50 69-01	A							
502 11 57-02	C		503 52 23-01	G							
502 11 58-01	C		503 54 39-01	M							
502 11 59-02	A		503 56 34-01	N							
502 11 67-01	A		503 57 02-01	N							
502 11 70-01	A		503 57 38-02	F							
502 11 71-01	A		503 57 42-01	N							
502 11 77-01	K		503 59 46-01	G							
502 11 79-01	A		504 13 08-07	N							
502 11 81-01	A		504 13 08-08	N							
502 11 82-01	A		504 13 09-06	N							
502 11 93-01	C		504 21 00-49	N							

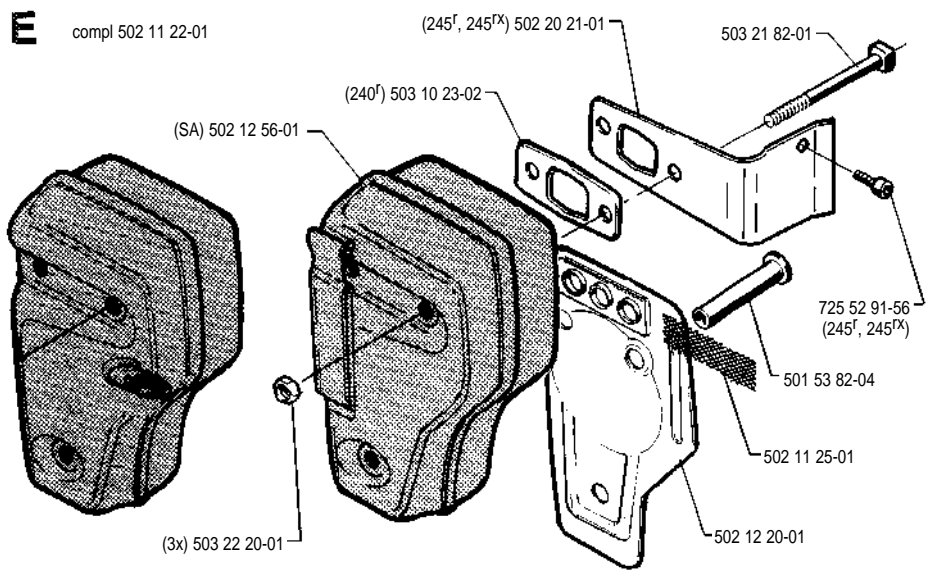
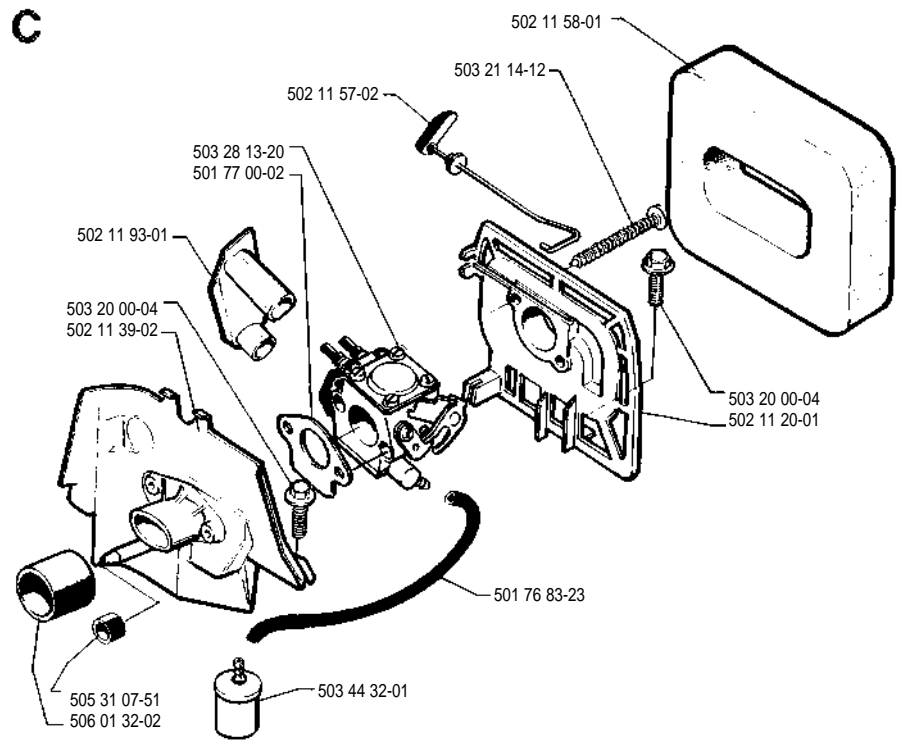


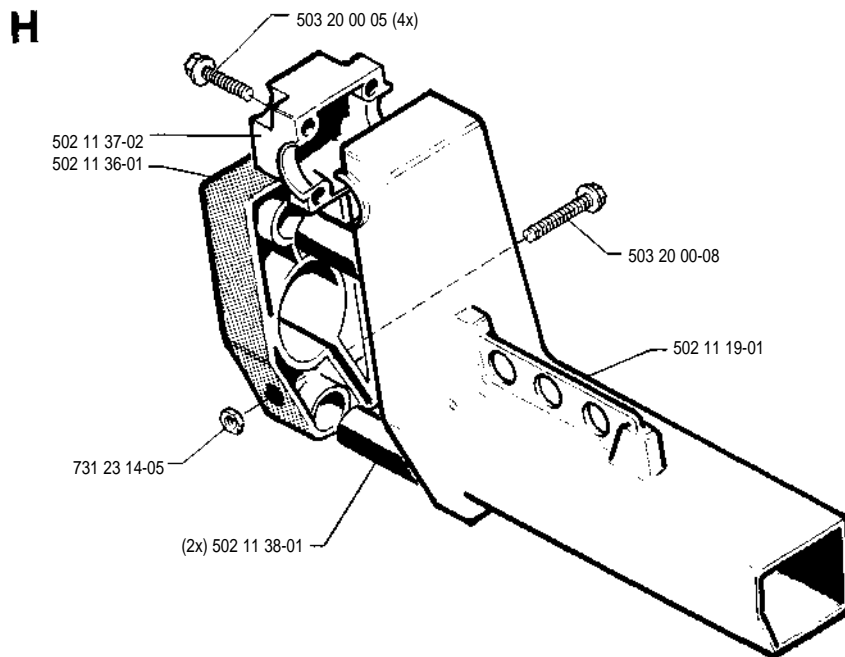
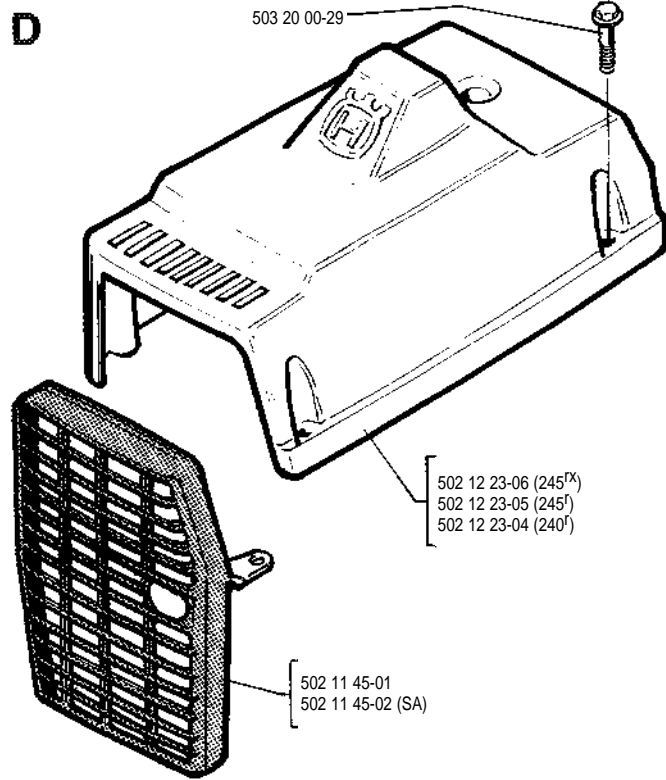
B * compl 506 01 06-07 (240^F)
 * compl 503 44 08-02 (245^F, 245^{FX})

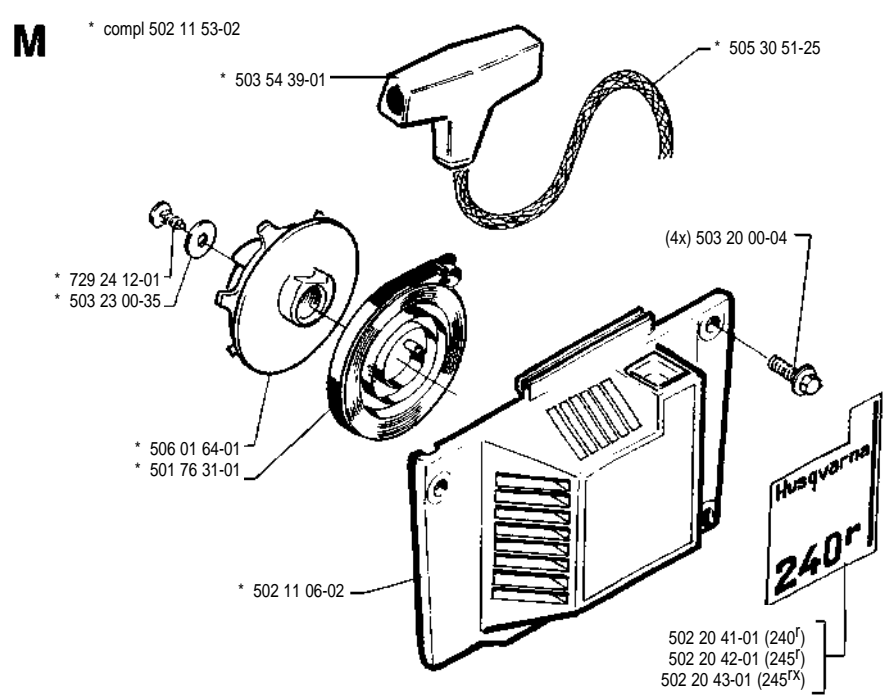
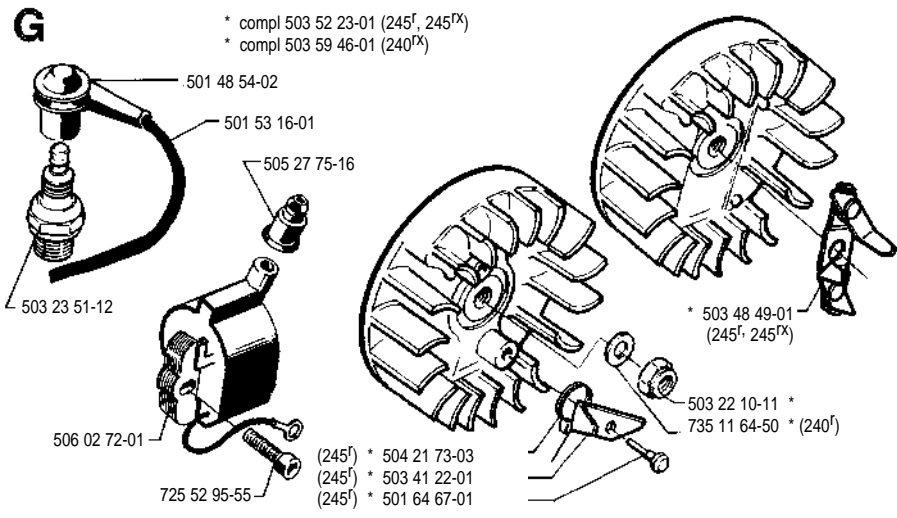


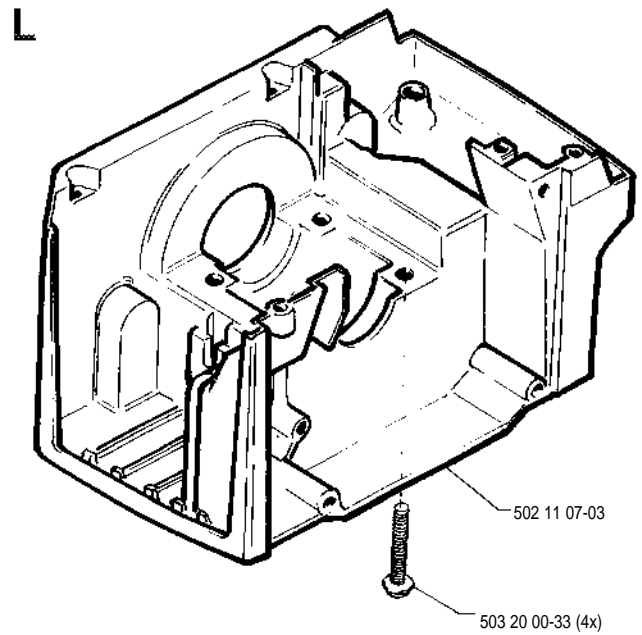
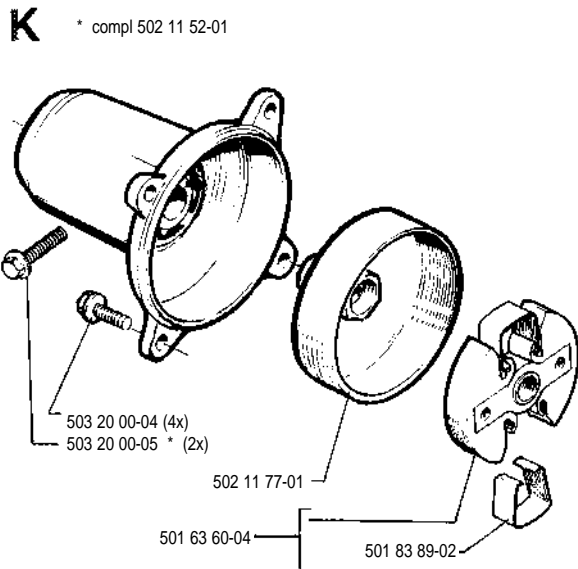
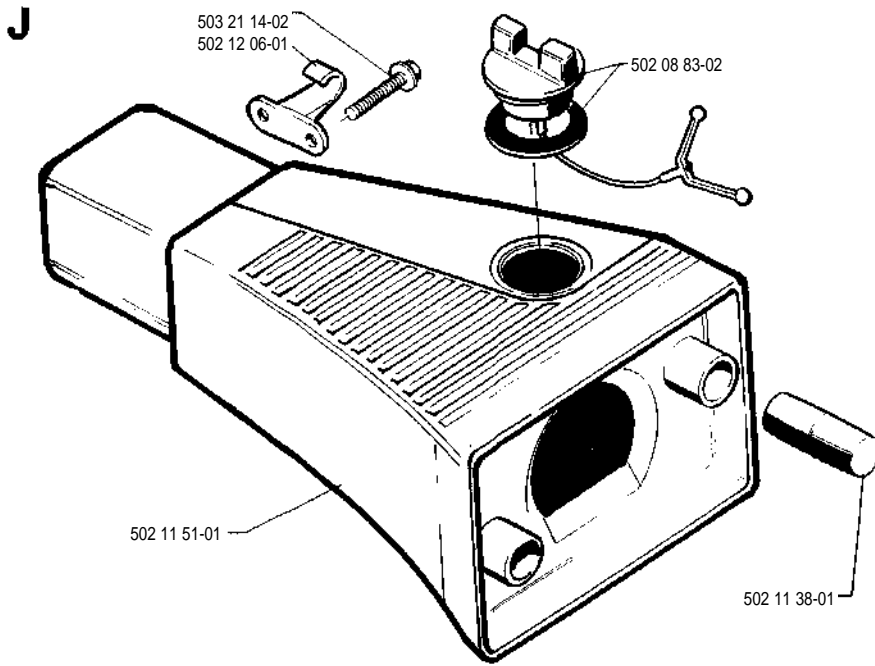
F * compl 503 57 38-02
 ** compl 502 12 21-01







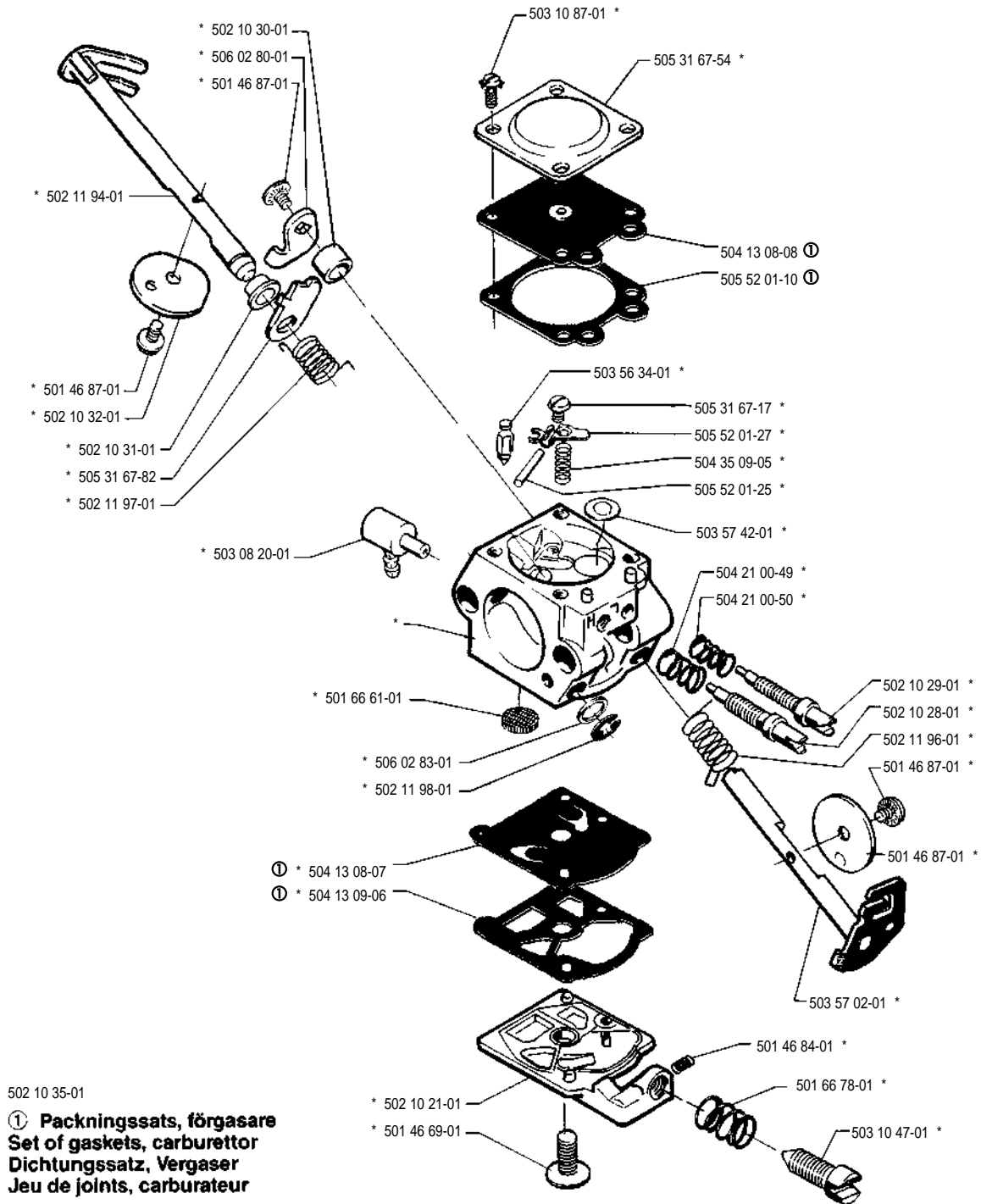




N

* compl 503 28 13-20

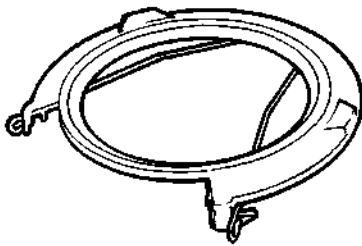
Walbro WT 99



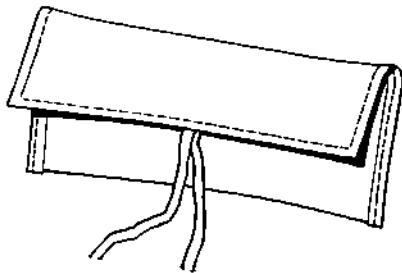
O

Accessories
Zubehöre
Accessoires
Accesorios
Tillbehör

* compl 502 17 00-01



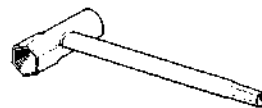
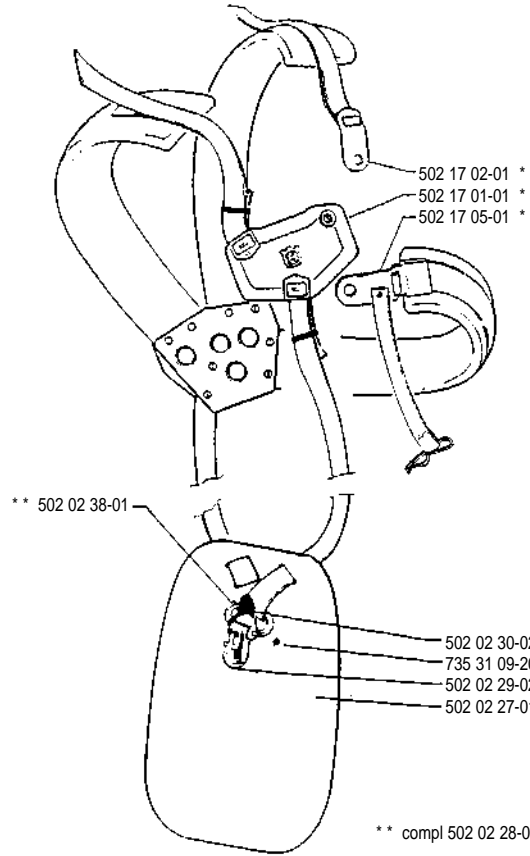
502 03 55-03 8"-10"
502 03 64-01 12"



502 11 03-01



502 51 27-01



502 11 46-01