

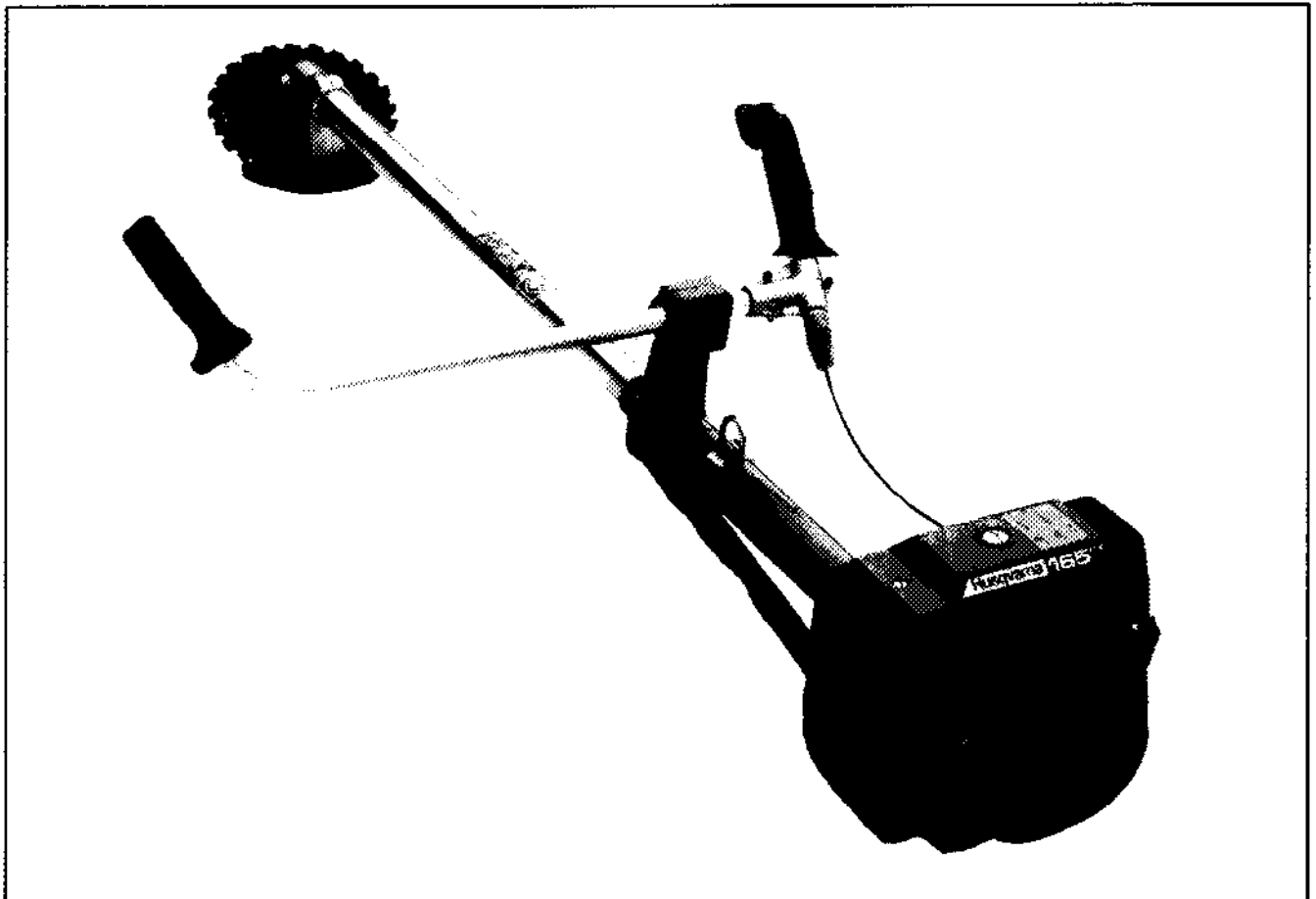
For Husqvarna Parts Call 606-678-9623 or 606-561-4983



SERVICE 		14
		SX 90.112

165 RX

OCT 24 1990



1.1990

Spare parts

Ersatzteile

Pièces détachées

Repuestos

Reservdelar

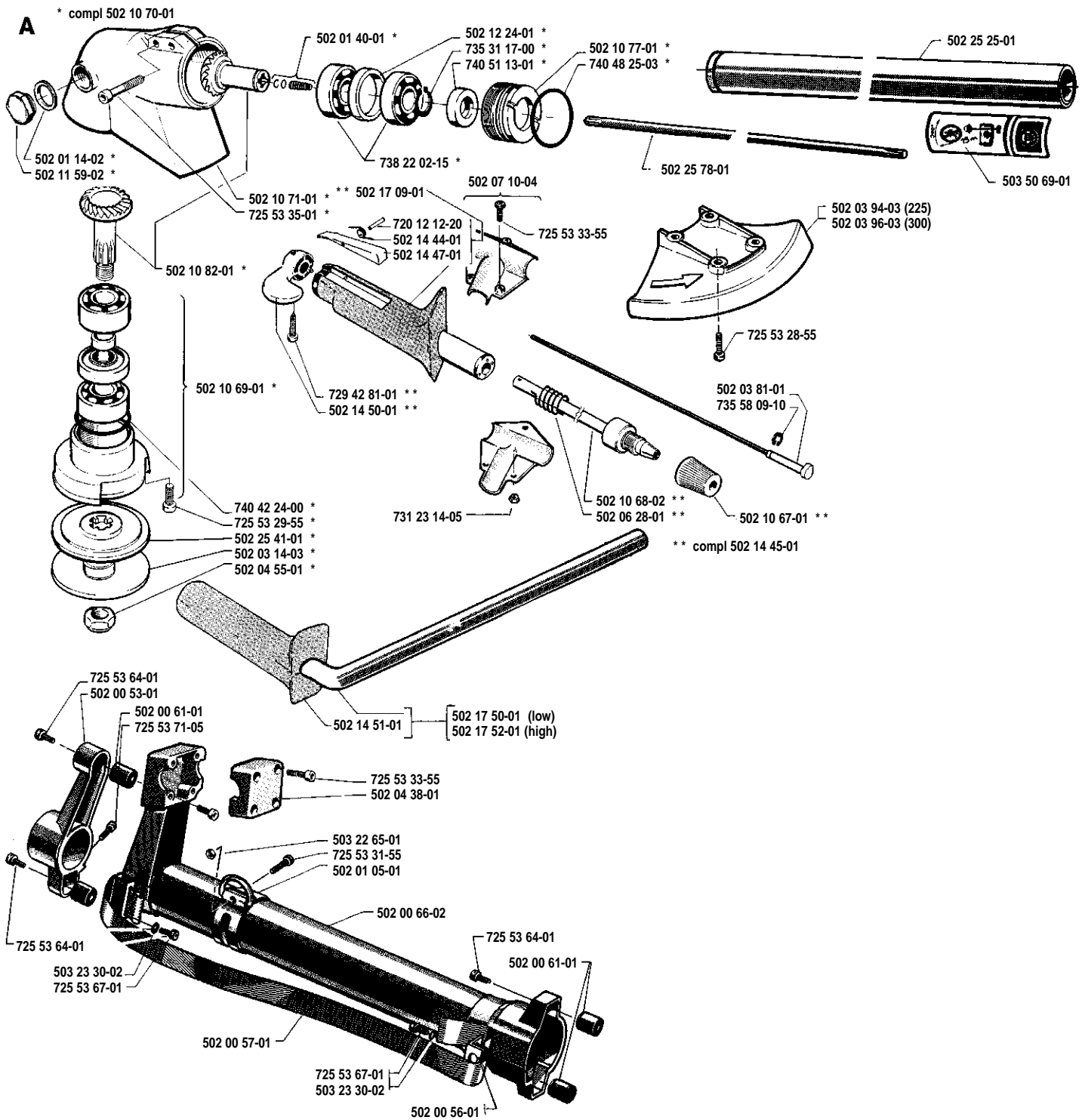
106 22 92-61

MODEL NUMBER 165RX

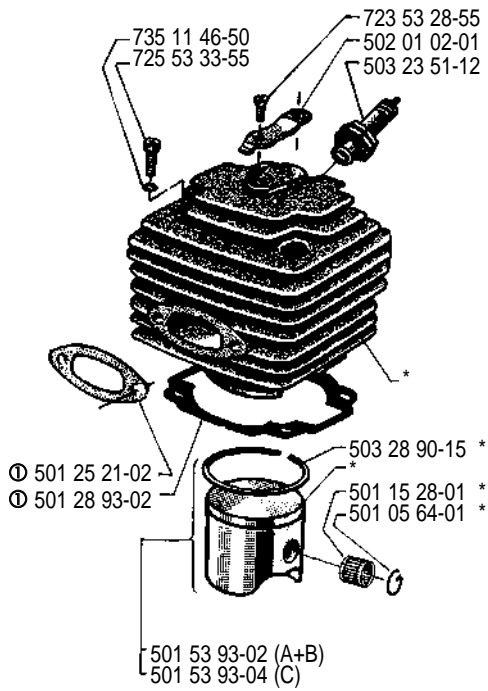
PARTNUMBER	SQUARE	NOTE	PARTNUMBER	SQUARE	NOTE	PARTNUMBER	SQUARE	NOTE	PARTNUMBER	SQUARE	NOTE
112 70 43-02	K		501 53 93-04	B		502 02 61-01	N		502 26 25-01	H	N
501 05 64-01	B		501 55 14-01	L		502 03 14-03	A		502 51 27-01	O	N
501 08 17-01	K		501 55 61-01	F		502 03 55-03	N		503 20 00-35	K	
501 15 28-01	B,F		501 67 32-01	K		502 03 64-01	N		503 20 40-14	H	
501 20 87-01	H		501 67 35-01	K		502 03 80-01	H		503 20 90-04	C	
501 21 81-01	L		501 69 76-01	K		502 03 81-01	A		503 22 10-02	K	
501 22 00-01	M		501 82 17-01	M	N	502 03 82-01	H		503 22 62-01	E	
501 22 01-01	M		501 82 18-01	M	N	502 03 83-01	H		503 22 65-01	A	
501 22 02-01	M		501 83 19-01	K		502 03 84-01	H		503 23 00-46	C	
501 22 03-01	M		501 83 20-01	K		502 03 86-01	G		503 23 30-02	A,H	
501 22 04-01	M		502 00 05-02	J	1	502 03 94-03	A		503 23 51-12	B	
501 22 08-01	M	2	502 00 12-02	H		502 03 96-03	A		503 26 02-04	J	
501 22 09-01	M	2	502 00 14-01	L		502 04 38-01	A		503 28 90-15	B	N
501 22 10-01	M		502 00 15-01	L		502 04 55-01	A		503 44 32-01	G	
501 22 12-01	M	2	502 00 16-02	G		502 05 05-03	J		503 48 63-01	M	
501 22 13-01	M	2	502 00 20-01	J		502 05 07-02	J		503 50 69-01	A	
501 22 14-01	M		502 00 21-02	G		502 05 24-03	E	N	720 12 12-20	A	N
501 22 15-01	M		502 00 25-02	E		502 06 28-01	A		720 13 07-10	J	
501 22 17-01	M		502 00 27-04	D	N	502 07 10-04	A		723 12 22-55	H	
501 22 18-01	M		502 00 49-01	L		502 10 52-01	C		725 52 92-55	J	
501 22 19-01	M		502 00 53-01	A		502 10 54-01	C		725 52 92-56	K	
501 22 20-01	M		502 00 56-01	A		502 10 54-03	C	N	725 53 28-55	A,B	
501 22 21-01	M		502 00 57-01	A		502 10 56-01	C		725 53 29-55	A	
501 22 22-01	M		502 00 61-01	A		502 10 57-01	C		725 53 31-55	A,J	
501 22 23-01	M	N	502 00 66-02	A		502 10 64-01	E		725 53 33-55	A,B	
501 22 24-01	M		502 00 68-01	C		502 10 64-02	E		725 53 35-01	A,L	
501 22 25-01	M		502 00 70-01	H		502 10 67-01	A		725 53 64-01	A	
501 22 31-01	M		502 00 72-01	H		502 10 68-02	A		725 53 67-01	A	
501 22 32-01	M		502 00 96-01	H		502 10 69-01	A		725 53 70-55	H	
501 25 10-02	C	1	502 00 97-02	H		502 10 70-01	A		725 53 71-05	A	
501 25 20-02	D		502 01 02-01	B		502 10 71-01	A		725 53 74-55	H	
501 25 21-02	B	1	502 01 05-01	A		502 10 77-01	A		725 53 83-05	E	
501 25 46-01	M		502 01 14-02	A		502 10 82-01	A		725 63 67-55	L	
501 26 85-01	M		502 01 20-01	M		502 10 88-01	O	N	728 83 67-05	H	
501 26 89-01	M		502 01 21-01	M		502 10 89-01	C		729 42 81-42	A	
501 26 90-01	M		502 01 22-01	M		502 11 25-01	D		729 43 42-42	E	N
501 28 92-01	C		502 01 23-01	M		502 11 59-01	A		731 23 14-05	A	
501 28 93-02	B	1	502 01 26-01	E		502 12 24-01	A		732 21 14-01	C	
501 30 13-01	H		502 01 29-01	H		502 14 44-01	A		733 61 13-01	E	N
501 31 01-05	N		502 01 36-01	C		502 14 45-01	A		734 11 36-01	J	
501 31 04-01	H		502 01 39-01	G		502 14 47-01	A		734 48 51-01	K	
501 40 21-02	L		502 01 40-01	A		502 14 50-01	A		735 11 24-51	H	
501 40 22-01	L		502 01 76-02	C		502 14 51-01	A		735 11 46-50	B	
501 40 24-02	L		502 01 98-01	H,L		502 15 49-02	D	N	735 31 09-20	N	N
501 40 27-01	L		502 02 00-02	N	N	502 17 09-01	A		735 31 17-00	A	
501 40 72-01	L		502 02 01-01	N		502 17 50-01	A	N	735 58 09-10	A	
501 40 89-01	L		502 02 06-01	N		502 17 52-01	A	N	735 88 06-00	F	
501 41 78-01	B		502 02 27-01	N		502 17 77-01	D	N	738 22 02-15	A,F	
501 42 14-01	K		502 02 28-01	N	N	502 17 77-02	D	N	740 42 24-00	A	
501 48 54-02	K		502 02 29-02	N		502 25 25-01	A	N	740 48 25-03	A	
501 49 48-02	M		502 02 30-02	N		502 25 41-01	A	N	740 51 13-01	A	
501 53 93-02	B		502 02 38-01	N		502 25 78-01	A				

1 502 01 62-01
 SET OF GASKETS
 DICHTUNGSSATZ
 JEU DE JOINTS
 JUEGO DE JUNTAS
 PACKINGSSATZ

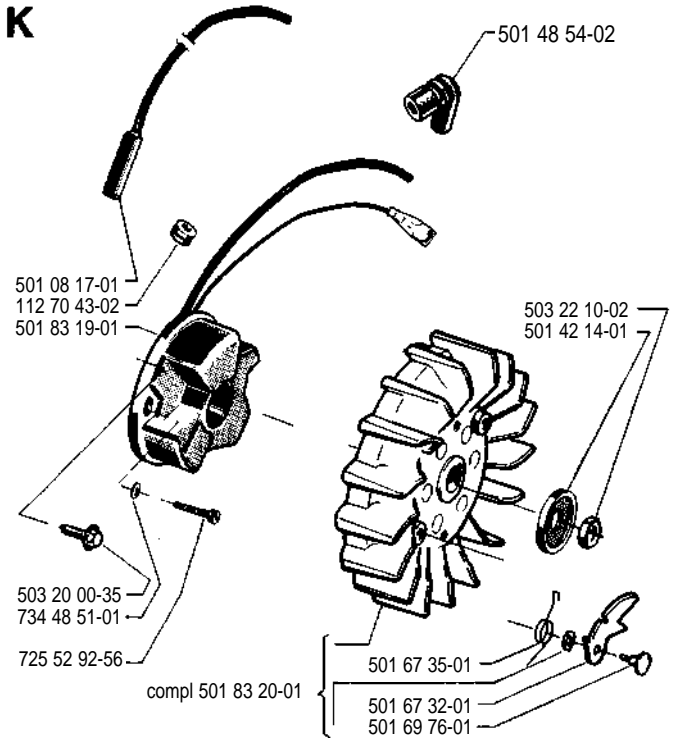
N NEW PART
 NEUES TEIL
 NOUVELLE PIECE
 NUEVA PIEZA
 NY DETALJ



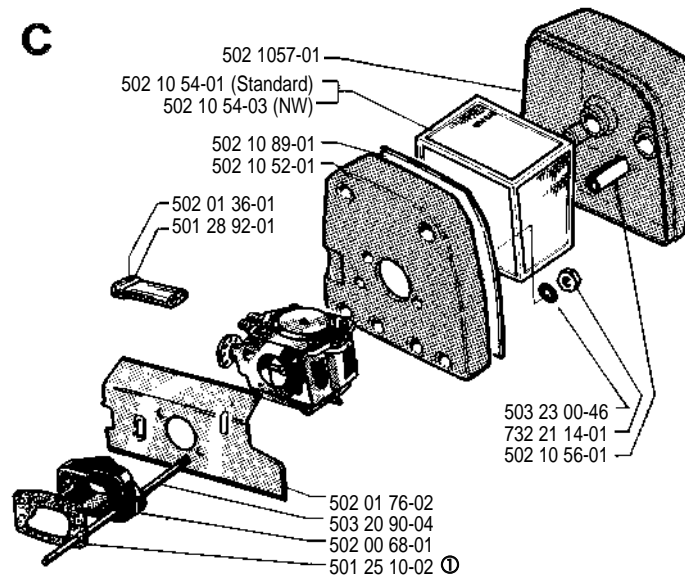
B * compl 501 41 78-01



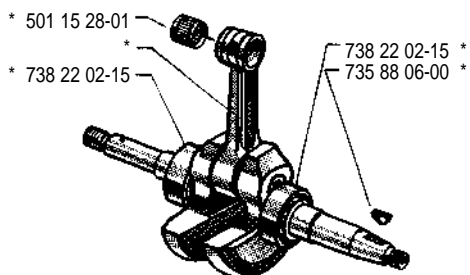
K



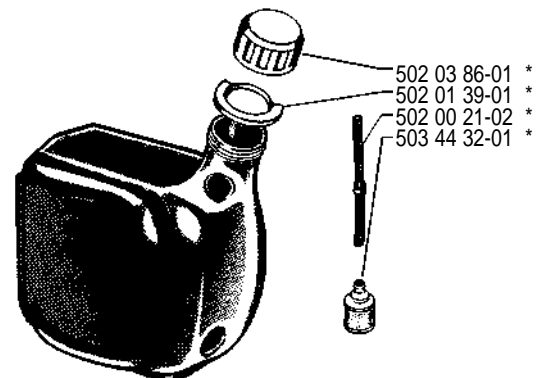
C

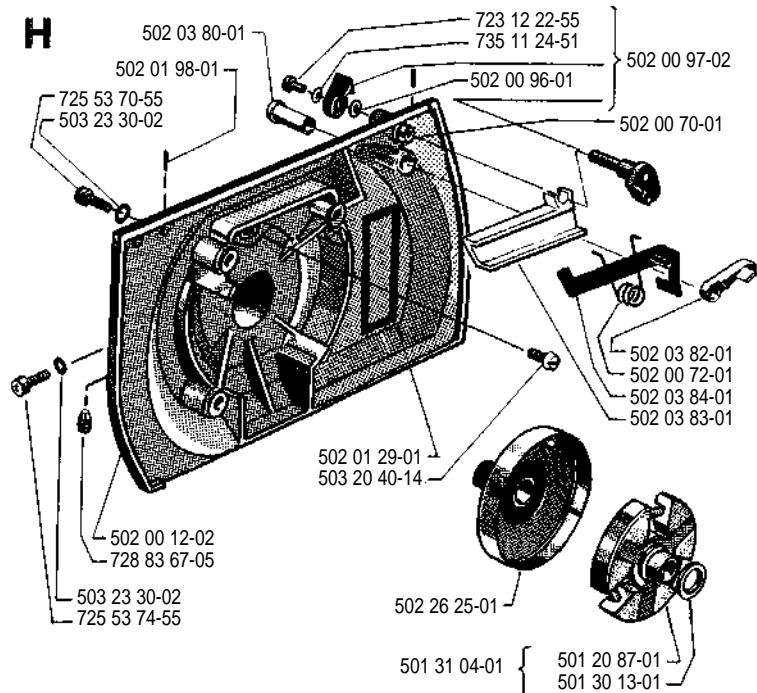
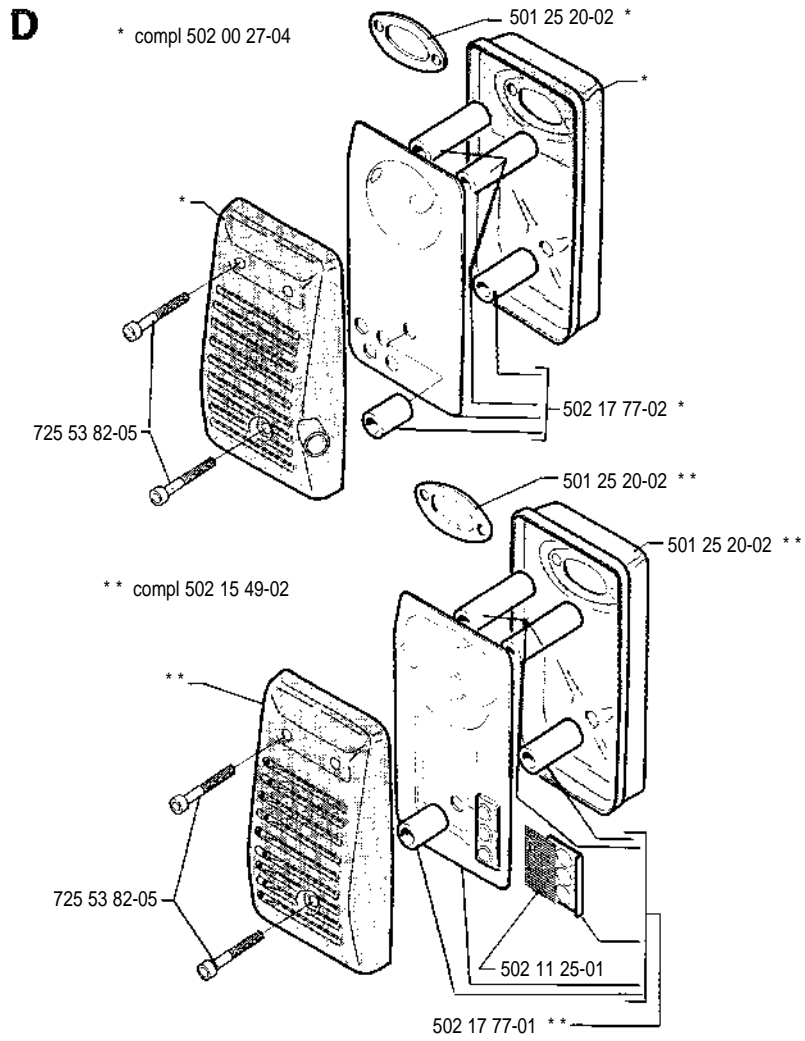


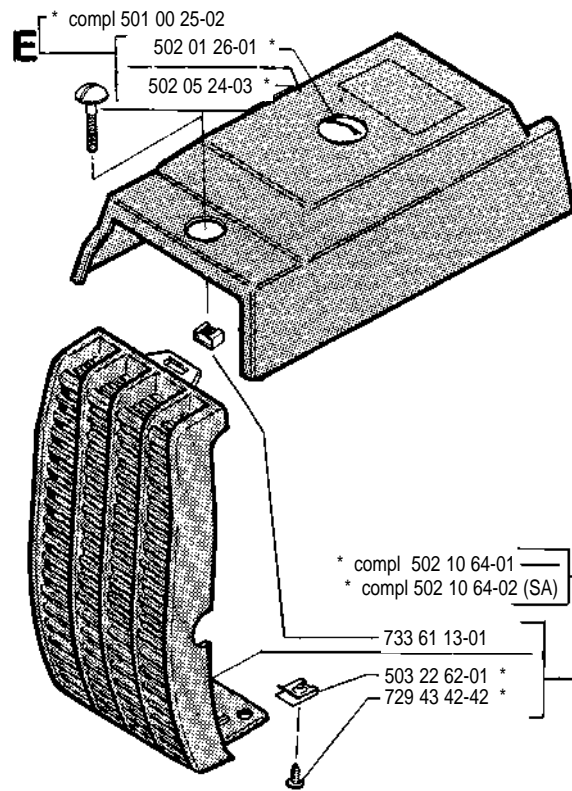
F * compl 501 55 61-01



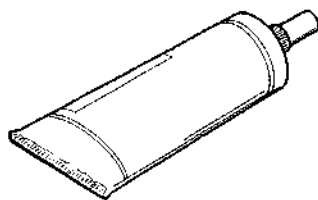
G * compl 502 00 16-02



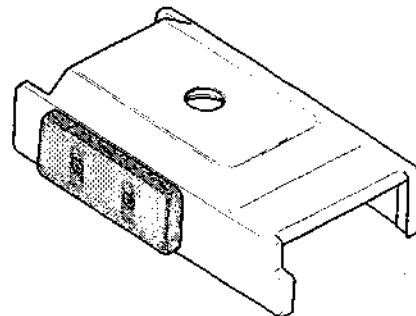




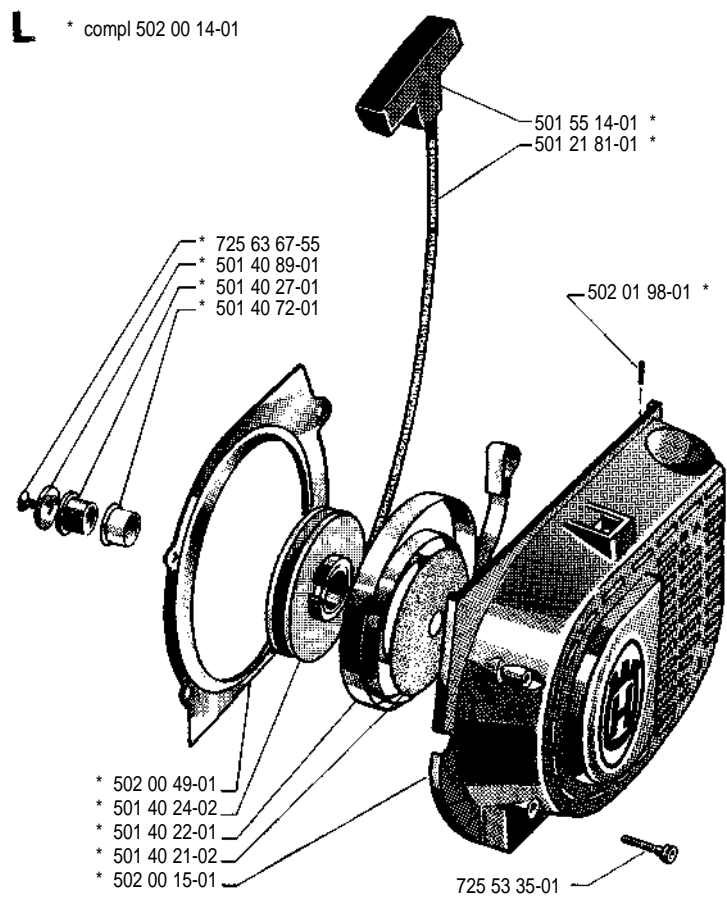
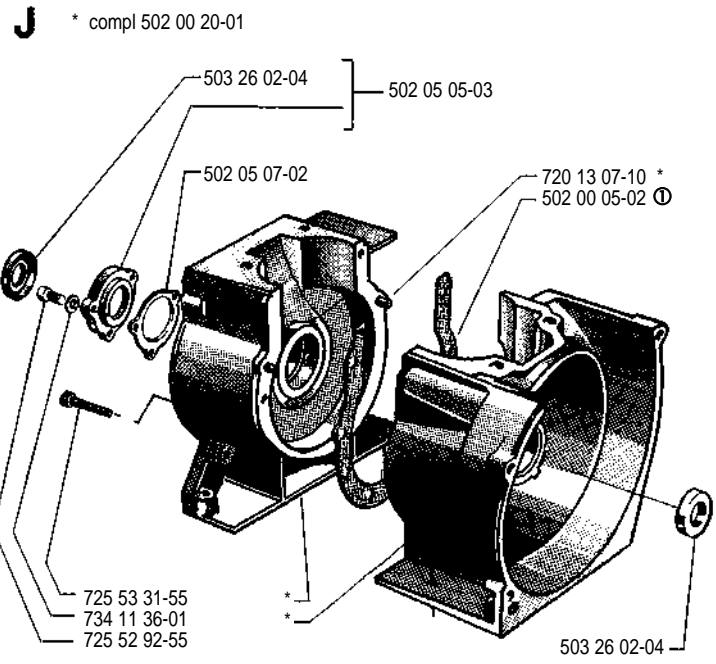
Delivery as spare part only
Nur als Ersatzteil lieferbar
Livable seulement comme pièce de rechange
Solo como repuesto
Leveras endast som reservdel



502 51 27-01

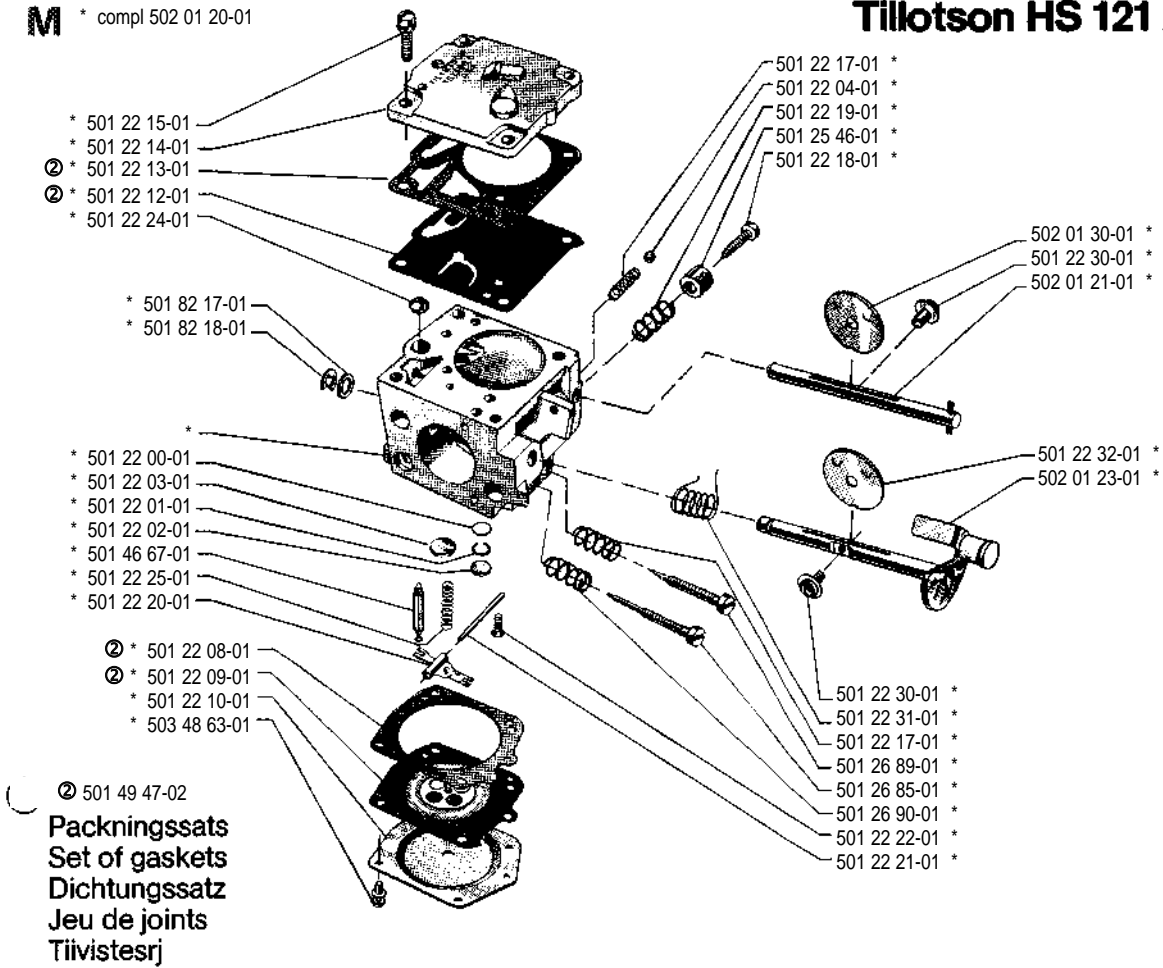


502 10 88-01 (Winter)



M * compl 502 01 20-01

Tillotson HS 121 A



N

* compl 502 02 00-02

Accessoires
Zubehöre
Accessoires
Accesorios
Tillbehör

