

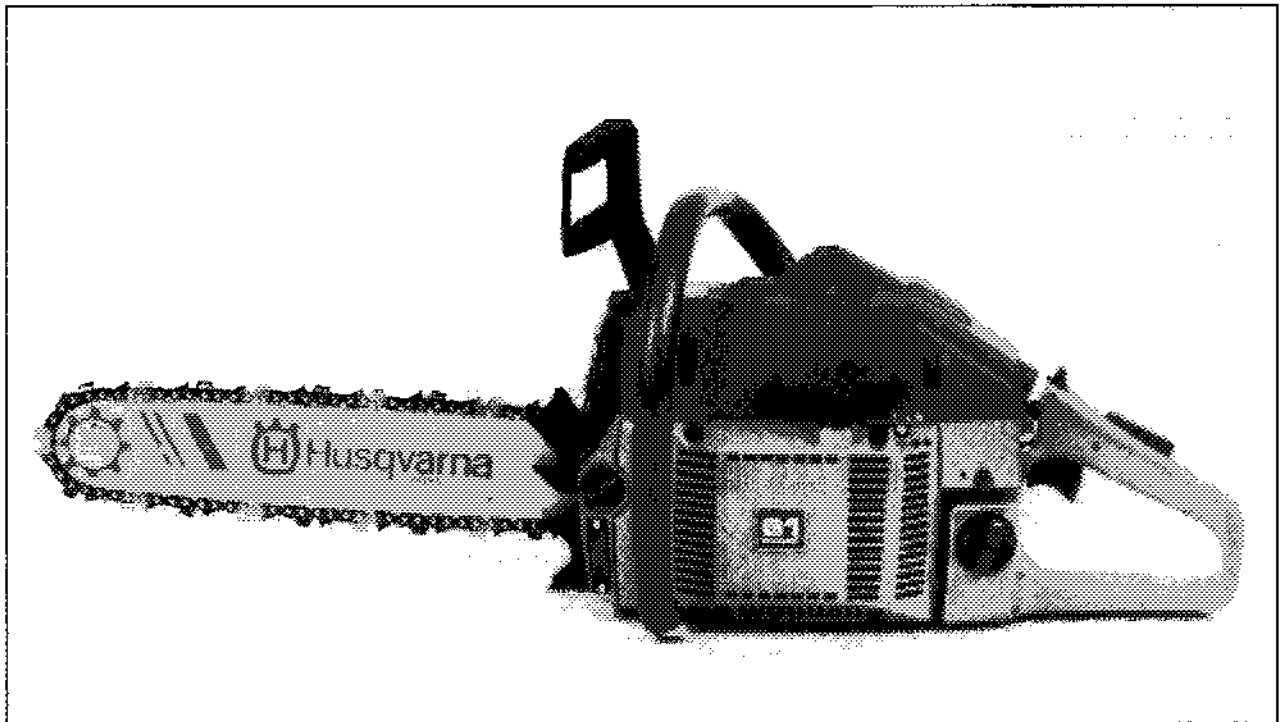




| | | |
|--|---|-----------|
| SERVICE  |  | 10 |
| | | SX 89.113 |

61



1. 1989

Spare parts

Ersatzteile

Pièces détachées

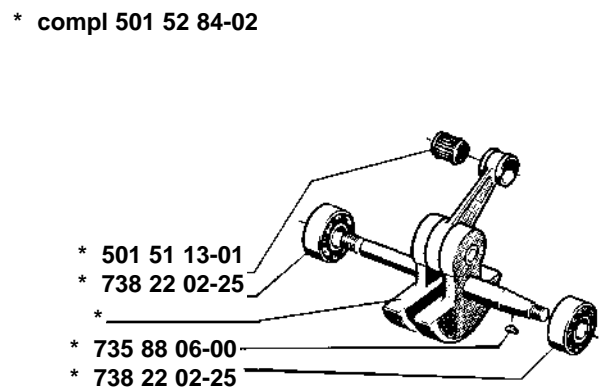
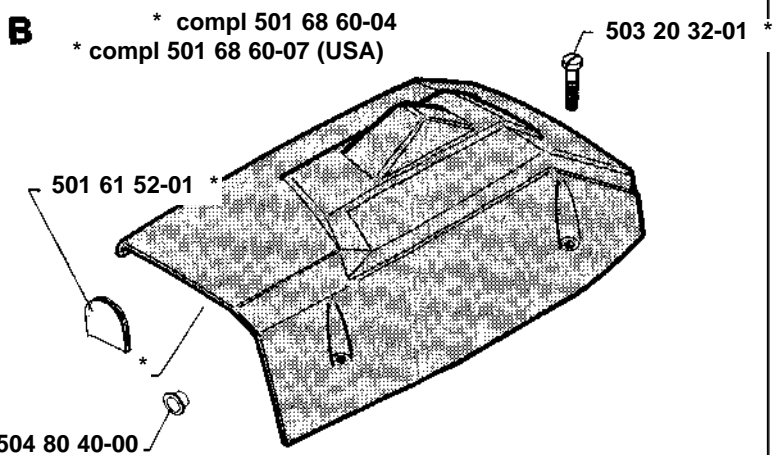
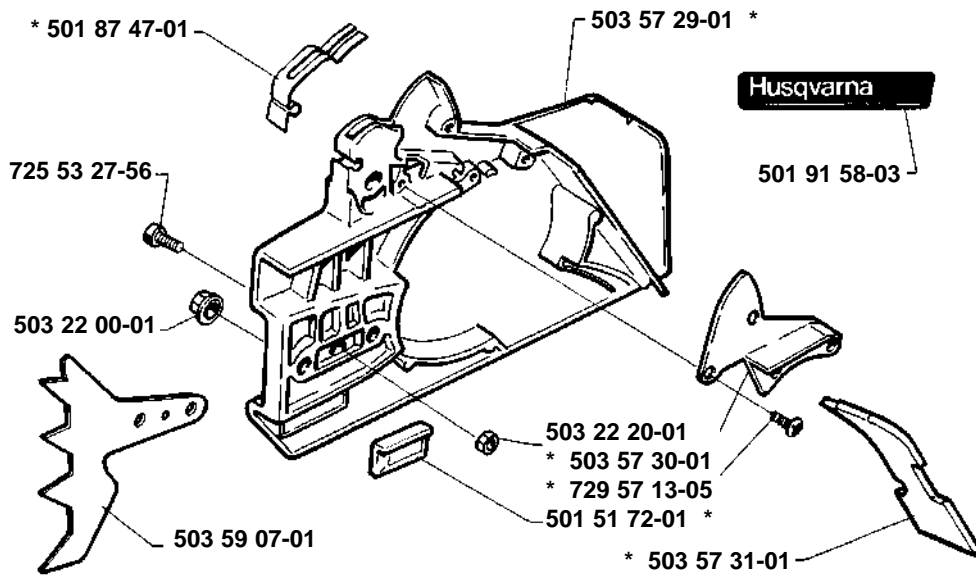
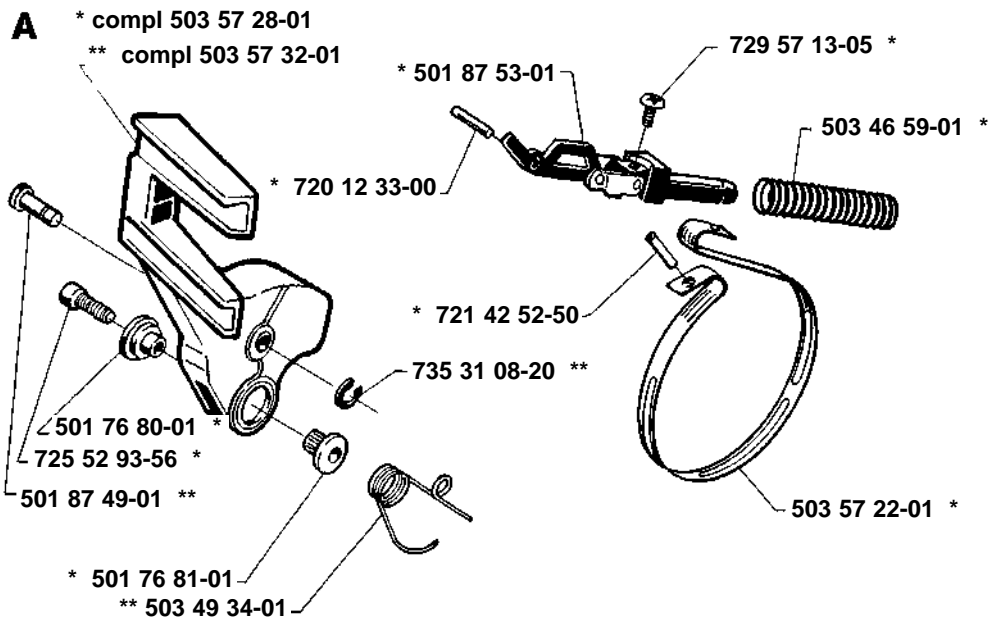
Repuestos

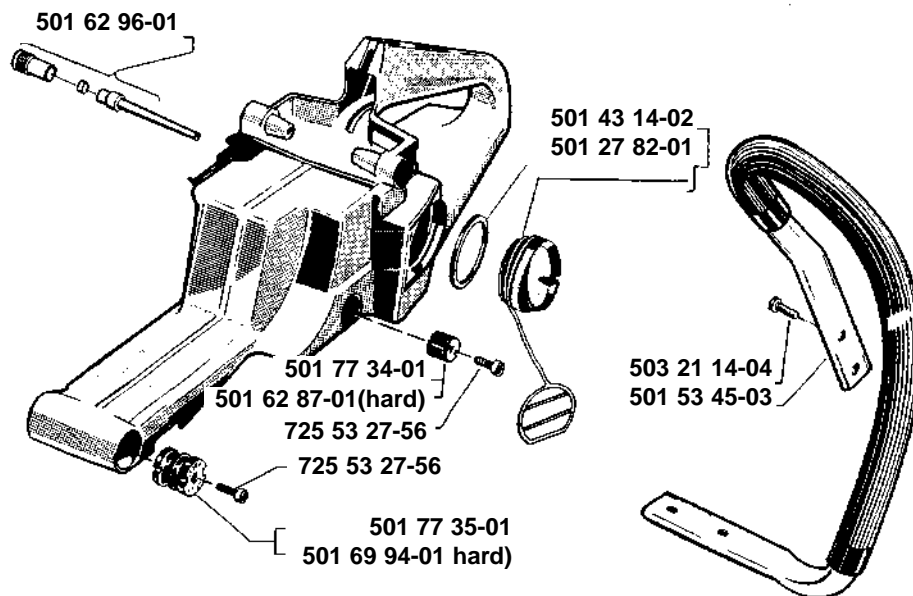
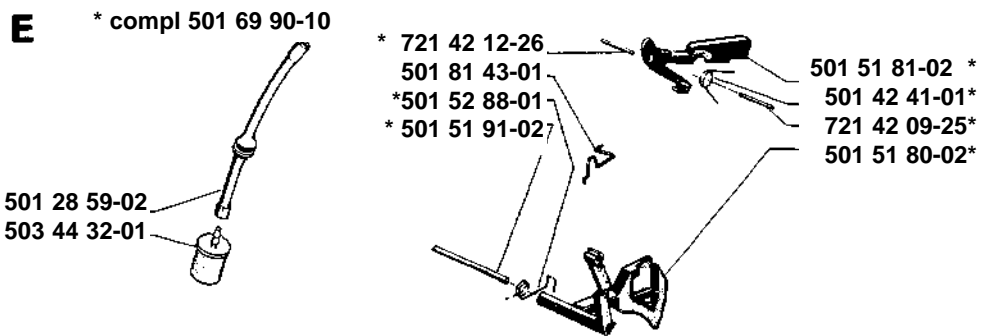
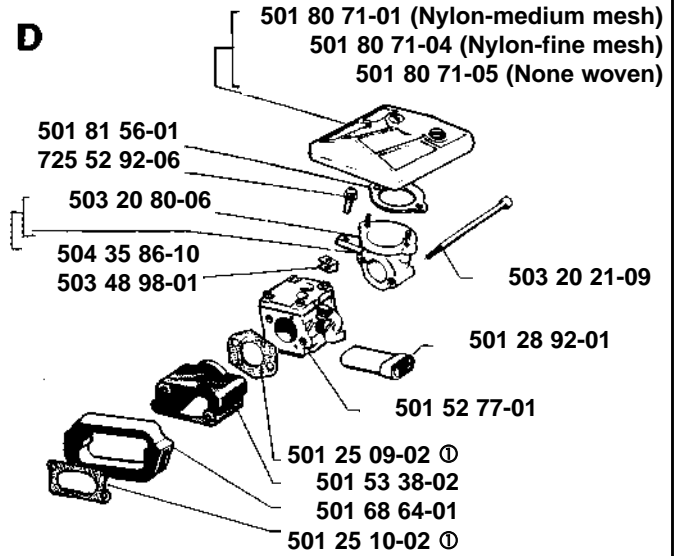
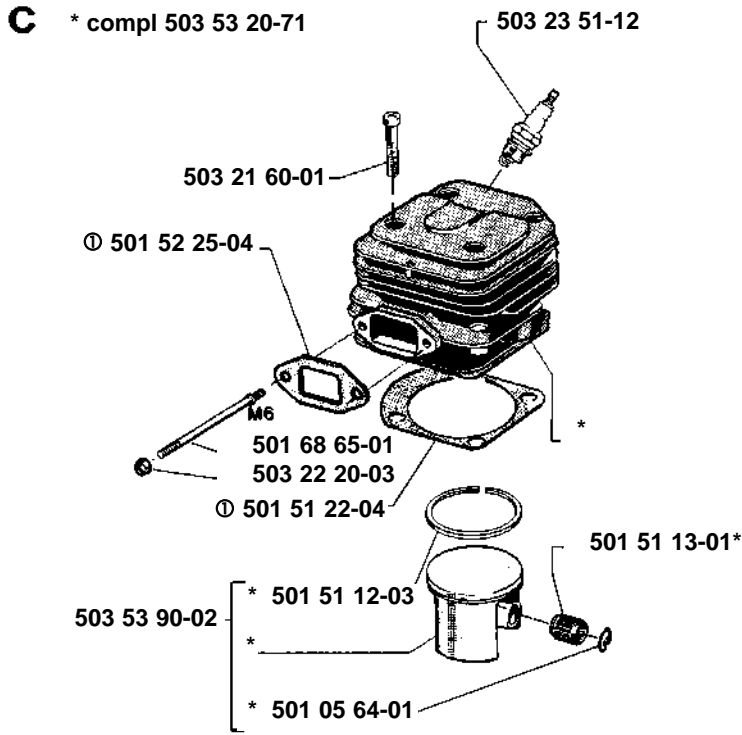
Reservdelar

| Ref.-No. Teil-Nr. N° de réf. N° ref. Ref. nr. | Square Viereck Carreau Cuadro Ruta | Remark Vermerk Notes Observ. Anm. | Ref.-No. Teil-Nr. N° de réf. N° ref. Ref. nr. | Square Viereck Carreau Cuadro Ruta | Remark Vermerk Notes Observ. Anm. | Ref.-Nr Teil-Nr. N° de réf. N° ref. Ref. nr. | Square Viereck Carreau Cuadro Ruta | Remark Vermerk Notes Observ. Anm. |
|---|--|---|---|--|---|--|--|---|
| 501 05 64-01 | C | | 501 52 62-01 | M | | 503 20 32-01 | B | |
| 501 08 17-01 | J | | 501 52 77-01 | D, O | | 503 20 80-06 | D | |
| 501 20 15-02 | K | | 501 52 78-01 | M | | 503 21 11-03 | G | |
| 501 22 00-01 | O | | 501 52 79-02 | M | | 503 21 14-04 | E | |
| 501 22 01-01 | O | | 501 52 81-01 | M | | 503 21 60-01 | C | |
| 501 22 02-01 | O | | 501 52 82-01 | J | | 503 21 90-08 | G | (N) |
| 501 22 03-01 | O | | 501 52 84-02 | H | | 503 22 00-01 | A | |
| 501 22 04-01 | O | | 501 52 88-01 | E | | 503 22 10-02 | M | |
| 501 22 05-01 | O | | 501 52 95-02 | K | | 503 22 20-01 | A | (N) |
| 501 22 08-01 | O | (3) | 501 53 38-02 | D | | 503 22 20-03 | C | |
| 501 22 09-01 | O | (3) | 501 53 45-03 | E | | 503 23 00-01 | J | |
| 501 22 12-01 | O | (3) | 501 53 59-01 | L | | 503 23 00-08 | M | |
| 501 22 13-01 | O | (3) | 501 53 71-01 | M | | 503 23 00 10 | M | |
| 501 22 14-01 | O | | 501 54 41-02 | L | | 503 23 00-13 | L | |
| 501 22 15-01 | O | | 501 55 10-01 | M | | 503 23 00-16 | L | |
| 501 22 17-01 | O | | 501 55 14-02 | K | | 503 23 10-01 | L | |
| 501 22 21-01 | O | | 501 55 60-01 | K | | 503 23 43-02 | K | |
| 501 22 22-01 | O | | 501 57 61-01 | O | | 503 23 51-08 | C | |
| 501 22 24-01 | O | | 501 59 80-02 | L | | 503 26 02-04 | L | |
| 501 22 25-01 | O | | 501 61 52-01 | B | | 503 27 90-04 | M | |
| 501 22 30-01 | O | | 501 62 66-02 | M | | 503 40 56-01 | G | (N) |
| 501 22 32-01 | O | | 501 62 68-01 | M | | 503 44 32-01 | E | |
| 501 22 65-01 | P | | 501 62 87-01 | E | | 503 44 44-01 | M | (N) |
| 501 25 09-01 | D | (1) | 501 62 96-01 | E | | 503 44 50-01 | M | |
| 501 25 10-01 | D | (1) | 501 65 76-01 | G | (N) | 503 46 59-01 | A | (N) |
| 501 26 85-01 | O | | 501 67 32-01 | J | | 503 48 63-01 | O | |
| 501 26 89-01 | O | | 501 67 35-01 | J | | 503 48 98-01 | D | |
| 501 26 90-01 | O | | 501 67 41-01 | L | | 503 49 34-01 | A | (N) |
| 501 27 13-02 | J | (N) | 501 68 52-63 | M | | 503 53 20-71 | C | |
| 501 27 82-01 | E | | 501 68 60-04 | B | | 503 53 36-01 | O | |
| 501 28 59-02 | E | | 501 68 64-01 | D | | 503 53 46-71 | R | |
| 501 28 85-01 | L | | 501 68 65-01 | C | | 503 53 58-01 | M | |
| 501 28 92-01 | D | | 501 69 17-01 | P | | 503 53 90-02 | C | |
| 501 29 65-01 | M | | 501 69 69-01 | O | | 503 57 22-01 | A | (N) |
| 501 29 66-01 | M | | 501 69 90-10 | E | | 503 57 28-01 | A | (N) |
| 501 40 34-02 | L | | 501 69 94-01 | E | | 503 57 29-01 | A | (N) |
| 501 42 41-01 | E | | 501 76 80-01 | A | (N) | 503 57 30-01 | A | (N) |
| 501 42 71-01 | O | | 501 76 81-01 | A | (N) | 503 57 31-01 | A | (N) |
| 501 43 14-02 | E | | 501 77 34-01 | E | | 503 57 32-01 | A | (N) |
| 501 44 44-01 | R | | 501 77 35-01 | E | | 503 58 99-01 | G | (N) |
| 501 44 45-01 | R | | 501 77 67-02 | K | | 503 59 03-02 | G | (N) |
| 501 46 67-01 | O | | 501 77 68-01 | K | | 503 59 07-01 | A | (N) |
| 501 48 54-02 | J | | 501 77 85-01 | L | | 503 59 08-01 | M | (N) |
| 501 49 48-02 | O | (3) compl. | 501 80 71-04 | D | (N) | 504 35 86-10 | D | |
| 501 51 12-03 | C | | 501 80 71-05 | D | (N) | 504 80 40-00 | B | |
| 501 51 13-01 | C, H | | 501 81 43-01 | E | | 505 30 36-61 | L | |
| 501 51 22-04 | C | (1) | 501 81 44-01 | O | | 720 12 33-00 | A | (N) |
| 501 51 25-01 | L | | 501 81 48-01 | M | | 720 12 37-50 | L | |
| 501 51 31-01 | L | | 501 81 56-01 | D | | 720 13 07-10 | M | |
| 501 51 32-01 | L | | 501 81 57-01 | M | | 721 42 03-25 | L | |
| 501 51 34-01 | L | | 501 81 58-01 | O | | 721 42 09-25 | E | |
| 501 51 36-01 | L | | 501 81 99-01 | J | | 721 42 12-26 | E | |
| 501 51 37-01 | L | | 501 82 17-01 | O | | 721 42 52-50 | A | |
| 501 51 38-01 | L | | 501 82 18-01 | O | | 723 23 29-85 | K | |
| 501 51 39-01 | L | | 501 83 15-01 | L | | 725 52 92-06 | D, L, J | |
| 501 51 40-01 | L | | 501 83 15-02 | L | | 725 52 93-56 | A | |
| 501 51 48-01 | L | | 501 83 17-01 | L | | 725 53 27-56 | A, E, M | (N) |
| 501 51 61-02 | J | | 501 83 18-01 | L | | 725 53 31-55 | M | |
| 501 51 62-01 | J | | 501 83 94-01 | M | | 725 53 37-55 | M | |
| 501 51 72-01 | A, M | | 501 87 47-01 | A | (N) | 725 53 41-55 | M | |
| 501 51 80-02 | E | | 501 87 49-01 | A | (N) | 729 22 21-01 | M | |
| 501 51 81-02 | E | | 501 87 53-01 | A | (N) | 729 22 75-05 | K, M | |
| 501 51 97-02 | E | | 501 91 57-02 | K | | 729 24 48-05 | K | |
| 501 51 99-01 | L | | 501 91 58-03 | A | (N) | 729 57 13-05 | A | (N) |
| 501 52 04-02 | K | | 502 01 22-01 | O | | 734 48 48-01 | L | |
| 501 52 25-04 | C | (1) | 503 08 97-02 | M | | 735 31 07-20 | L | |
| 501 52 26-02 | C | (1) compl. | 503 10 24-02 | K | | 735 31 08-20 | A | (N) |
| 501 52 49-01 | G | | 503 17 81-01 | R | | 735 88 06-00 | H | |
| 501 52 52-02 | J | | 503 20 00-04 | G | | 738 22 02-25 | H | |
| 501 52 61-02 | M | | 503 20 21-09 | D | | 740 42 21-00 | J, L | |

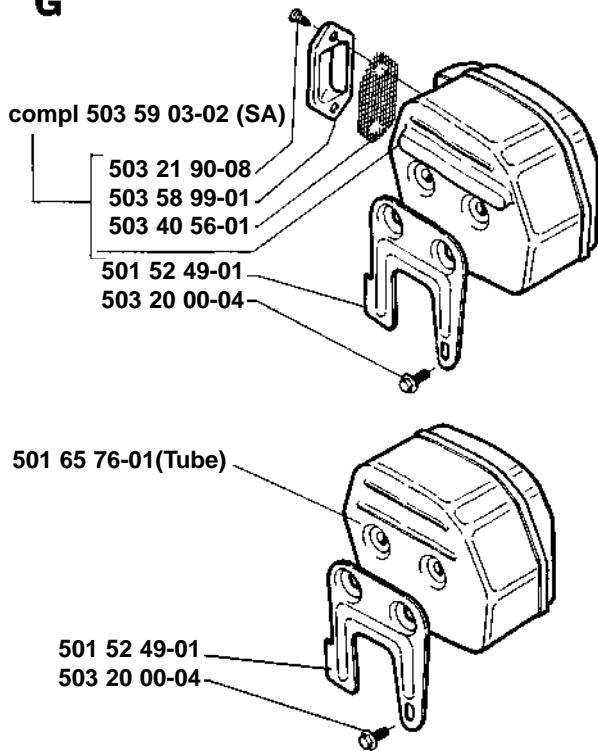
(1) = 501 52 26-02
Set of gaskets
Dichtungssatz
Jeu de joints
Juego de junta
Packningssats

(N) = Newpart
Neues Teil
Nouvelle pièce
Nueva pieza
Ny det.

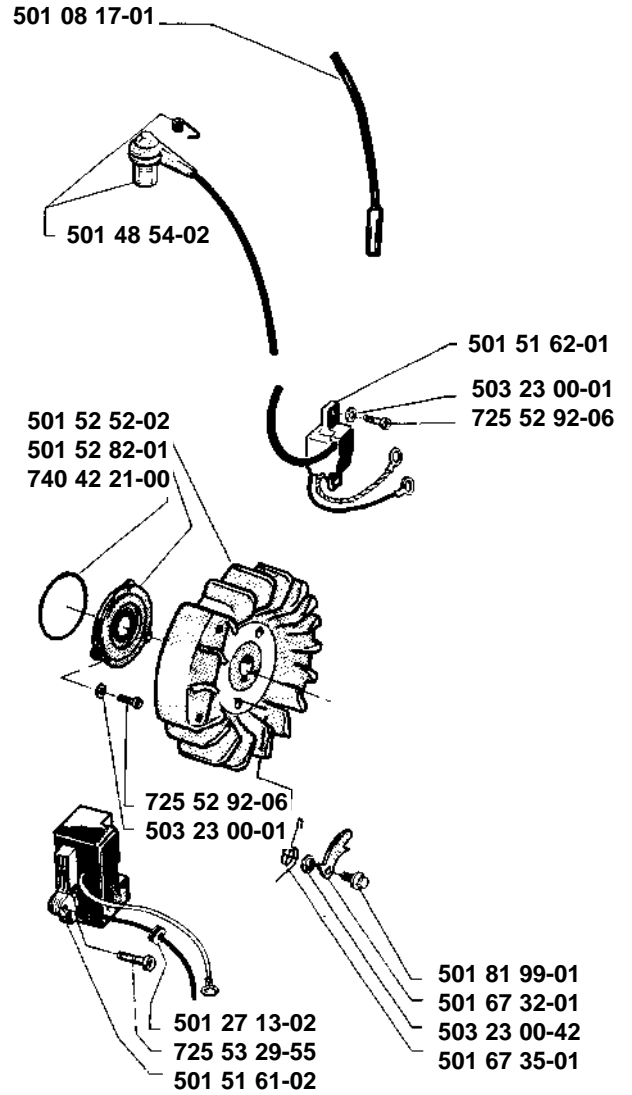




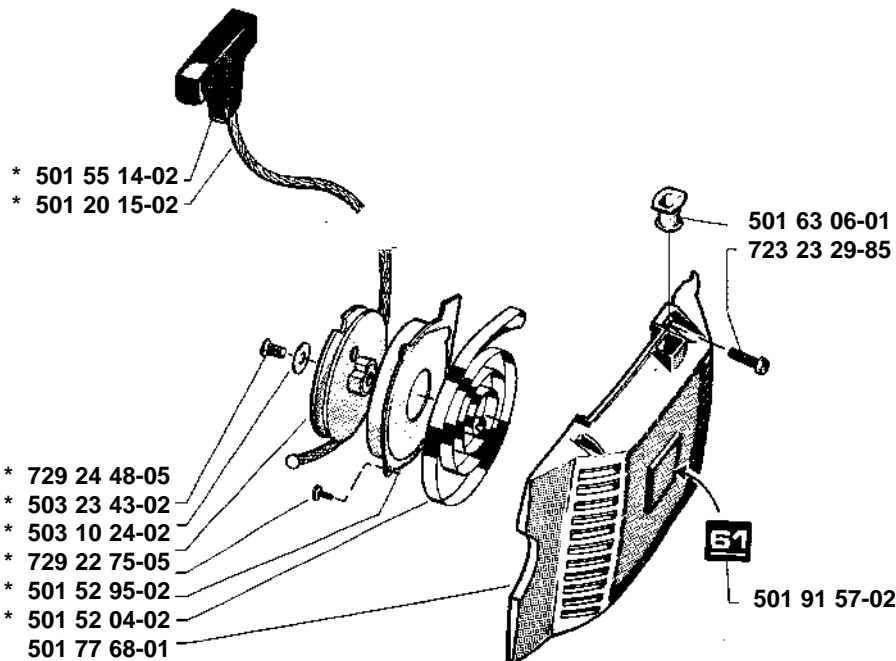
G



J

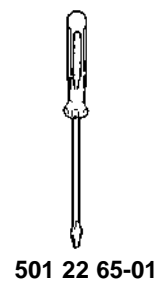


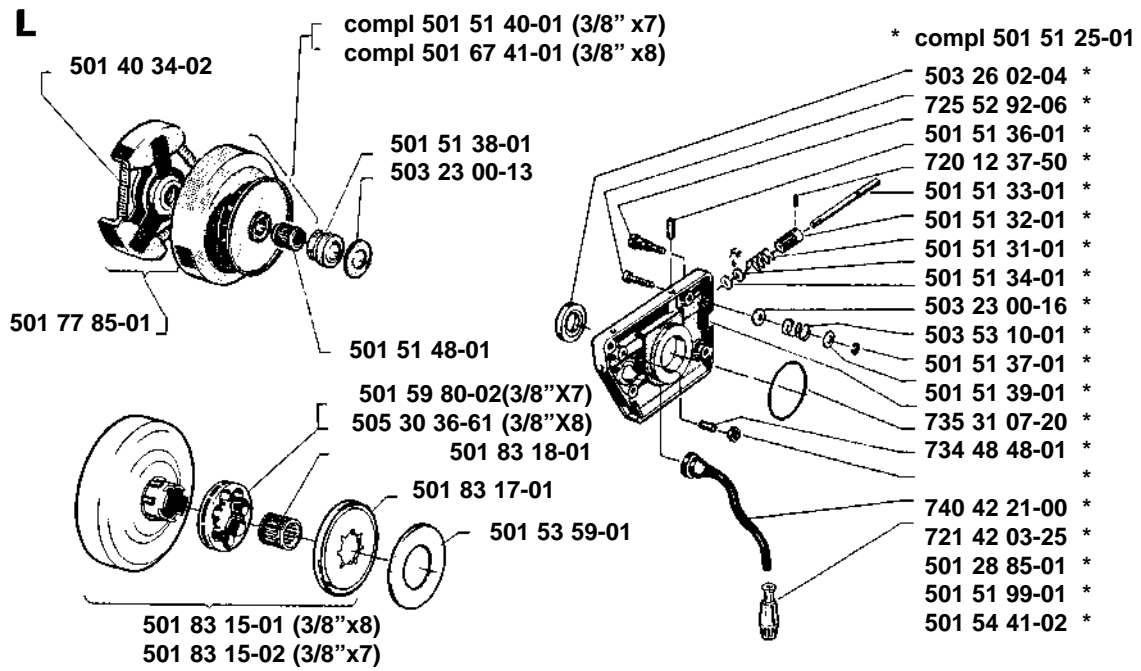
K * compl 501 77 67-02



P

**Tillbehör
Accessories
Zubehöre
Accessoires
Accesorios
Pomůcky**





R

Levereras endast som reservdel
 Delivery as spare part only
 Nur als Ersatzteil lieferbar
 Livrable seulement comme pièce de rechange
 Solo como repuesto
 Zasilá se jenom jako náhradní díl

