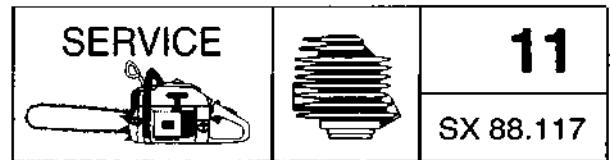
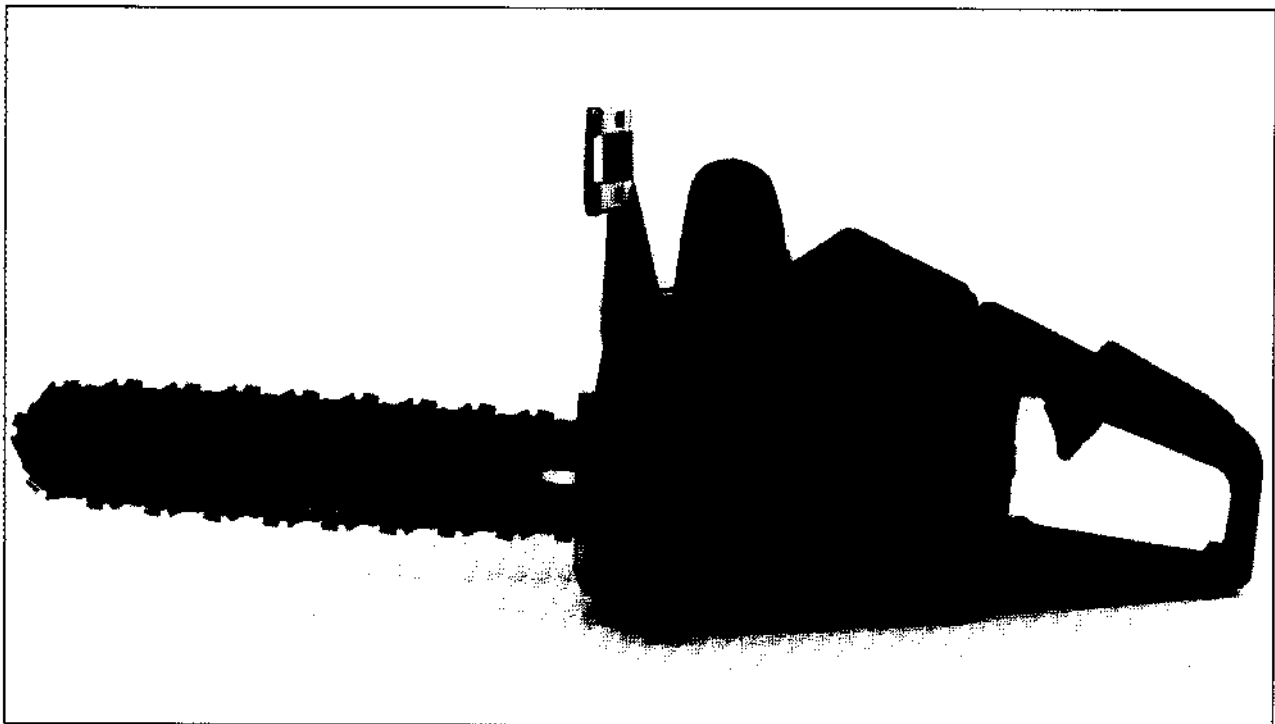


For Husqvarna Parts Call 606-678-9623 or 606-561-4983



# 40/45



**2. 1988**

**Spare parts**

**Ersatzteile**

**Pièces détachées**

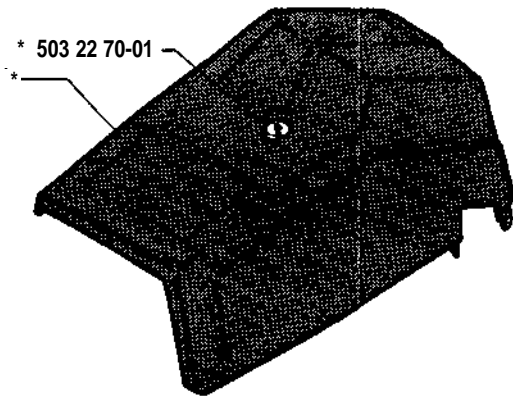
**Repuestos**

**Reservdelar**

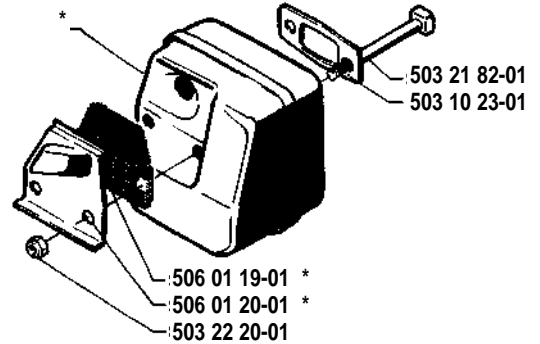
| Ref.-No.<br>Teil-Nr.<br>N° de réf.<br>N° ref.<br>Ref. nr. | Square<br>Viereck<br>Carreau<br>Cuadro<br>Ruta | Remark<br>Vermerk<br>Notes<br>Observ.<br>Anm. | Ref.-No.<br>Teil-Nr.<br>N° de réf.<br>N° ref.<br>Ref. nr. | Square<br>Viereck<br>Carreau<br>Cuadro<br>Ruta | Remark<br>Vermerk<br>Notes<br>Observ.<br>Anm. | Ref.-Nr<br>Teil-Nr.<br>N° de réf.<br>N° ref.<br>Ref. nr. | Square<br>Viereck<br>Carreau<br>Cuadro<br>Ruta | Remark<br>Vermerk<br>Notes<br>Observ.<br>Anm. |
|---|--|---|---|--|---|--|--|---|
| 501 45 16-01  | G  |   | 503 10 59-04  | L  | Ⓝ   | 504 35 72-01   | K  |   |
| 501 45 24-01  | C  |   | 503 10 60-01  | L  |   | 504 36 45-00   | M  |   |
| 501 45 74-02  | O  |   | 503 10 60-03  | L  |   | 505 23 09-02   | A  |   |
| 501 46 69-01  | M  |   | 503 10 61-01  | B  |   | 505 26 78-95   | A  |   |
| 501 46 84-01  | M  |   | 503 10 61-02  | B  |   | 505 27 57-19   | G  |   |
| 501 46 87-01  | M  |   | 503 10 63-01  | A  |   | 505 27 75-16   | H  |   |
| 501 46 96-01  | M  |   | 503 10 65-01  | A  |   | 505 30 51-25   | L  |   |
| 501 48 54-02  | H  |   | 503 10 66-01  | A  |   | 505 31 07-51   | D  |   |
| 501 52 78-01  | D  |   | 503 10 68-01  | A  |   | 505 31 67-17   | M  |   |
| 501 53 16-01  | H  |   | 503 10 69-02  | K  | Ⓝ   | 505 31 67-54   | M  |   |
| 501 55 14-02  | L  |   | 503 10 87-01  | M  |   | 505 31 67-59   | M  |   |
| 501 60 34-02  | C  |   | 503 11 21-01  | G  |   | 505 31 67-82   | M  |   |
| 501 60 68-01  | K  |   | 503 11 92-02  | E  |   | 505 52 01-25   | M  |   |
| 501 63 06-01  | L  |   | 503 15 98-01  | O  |   | 505 52 01-27   | M  |   |
| 501 64 67-01  | H  |   | 503 15 98-02  | J  |   | 506 01 06-06   | C  |   |
| 501 66 61-01  | M  |   | 503 17 31-01  | J  |   | 506 01 17-01   | F  |   |
| 501 66 78-01  | M  |   | 503 20 01-02  | K  |   | 506 01 17-02   | F  |   |
| 501 69 17-01  | N  |   | 503 20 55-20  | H  |   | 506 01 19-01   | F  |   |
| 501 76 31-01  | L  |   | 503 20 80-06  | C  |   | 506 01 20-01   | F  |   |
| 501 76 80-01  | A  |   | 503 21 11-04  | K  |   | 506 01 30-01   | K  |   |
| 501 76 81-01  | A  |   | 503 21 32-16  | D,E,J,K,L                                      |   | 506 01 31-01   | K  |   |
| 501 76 83-19  | K  | Ⓝ   | 503 21 32-45  | D  | Ⓝ   | 506 01 32-01   | D  |   |
| 501 76 83-24  | K  | Ⓝ   | 503 21 82-01  | F  |   | 506 01 35-02   | D  |   |
| 501 77 00-02  | D  |   | 503 22 00-01  | A  |   | 506 01 37-02   | H  |   |
| 501 79 58-01  | A  |   | 503 22 20-01  | F  |   | 506 01 40-03   | E  |   |
| 501 87 47-01  | A  |   | 503 22 21-02  | H  |   | 506 01 44-02   | E  |   |
| 501 87 49-01  | A  |   | 503 22 70-01  | B  |   | 506 01 45-02   | E  |   |
| 501 87 53-01  | A  |   | 503 23 00-35  | L  |   | 506 01 46-01   | E  |   |
| 501 87 54-01  | A  |   | 503 23 01-05  | J  |   | 506 01 47-01   | E  |   |
| 502 10 03-03  | D, M   |   | 503 23 51-12  | C  |   | 506 01 49-01   | N  |   |
| 502 10 21-01  | M  |   | 503 25 34-01  | J, O   |   | 506 01 64-01   | L  |   |
| 502 10 28-01  | M  |   | 503 41 22-01  | H  |   | 506 02 39-01   | J  |   |
| 502 10 29-01  | M  |   | 503 41 31-01  | D  |   | 506 02 42-01   | J  |   |
| 502 10 30-01  | M  |   | 503 41 32-01  | D  |   | 506 02 72-01   | H  |   |
| 502 10 31-01  | M  |   | 503 41 32-02  | D  |   | 506 02 75-04   | K  |   |
| 502 10 32-01  | M  |   | 503 44 06-01  | H  |   | 506 02 75-05   | K  | Ⓝ   |
| 502 10 35-01  | M  |   | 503 44 08-02  | C  |   | 506 02 77-01   | J  |   |
| 502 11 44-01  | M  |   | 503 44 10-01  | C  |   | 506 02 80-01   | M  |   |
| 502 11 47-01  | M  |   | 503 48 65-01  | H  |   | 506 02 83-01   | M  |   |
| 502 11 94-01  | M  |   | 503 48 90-01  | C  |   | 506 03 13-09   | H  |   |
| 502 11 96-01  | M  |   | 503 49 25-01  | K  | Ⓝ   | 506 03 18-04   | K  | Ⓝ   |
| 502 11 97-01  | M  |   | 503 49 82-02  | K  | Ⓝ   | 506 05 65-01   | G  |   |
| 502 11 98-01  | M  |   | 503 50 52-02  | E  |   | 506 09 80-01   | K  |   |
| 502 71 27-01  | O  | Ⓝ   | 503 56 34-01  | M  |   | 720 12 33-00   | A  |   |
| 503 08 20-01  | M  |   | 504 10 00-10  | M  |   | 721 42 52-50   | A  |   |
| 503 10 16-01  | J  |   | 504 10 00-11  | M  |   | 725 52 93-56   | A  |   |
| 503 10 23-01  | F  |   | 504 18 44-01  | J  |   | 725 53 29-55   | E  |   |
| 503 10 46-01  | C  |   | 504 21 00-16  | J  |   | 729 57 13-01   | A  |   |
| 503 10 49-02  | J  |   | 504 21 00-49  | M  |   | 735 31 08-20   | A  |   |
| 503 10 52-02  | D  | Ⓝ   | 504 21 00-50  | M  |   | 735 31 09-20   | A  |   |
| 503 10 56-01  | E  |   | 504 21 73-03  | H  |   | 735 88 04-00   | G  |   |
| 503 10 57-01  | E  |   | 504 35 09-05  | M  |   | 738 22 02-25   | G  |   |

Ⓝ = New part  
 Neues Teil  
 Nouvelle pièce  
 Nueva pieza  
 Ny del.

- B** \* compl 503 10 61-01 (40)  
\* compl 503 10 61-02 (45)

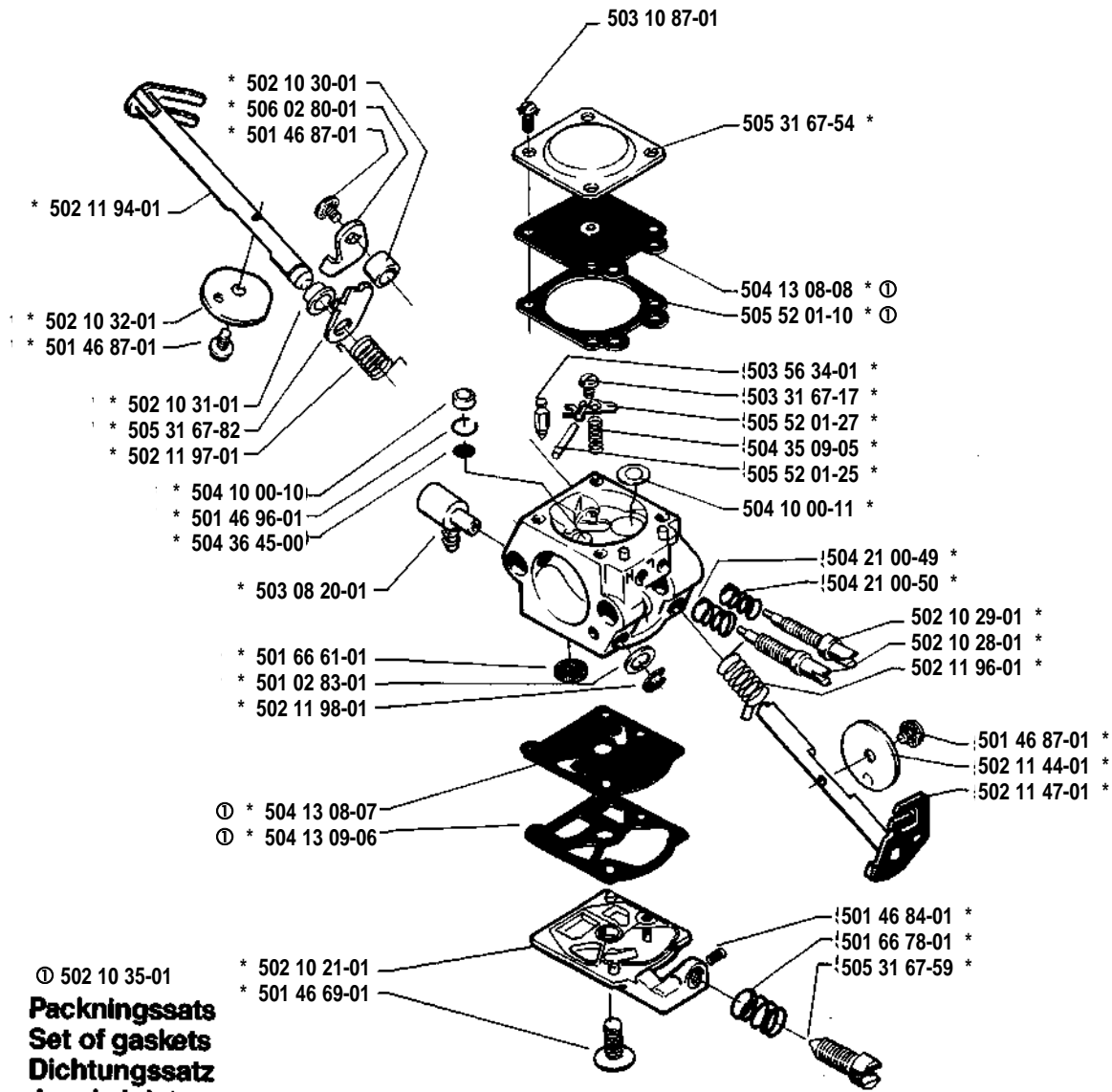


- F** \* compl 506 01 17-01 (40, 45)  
\* compl 506 01 17-02 (45, USA)

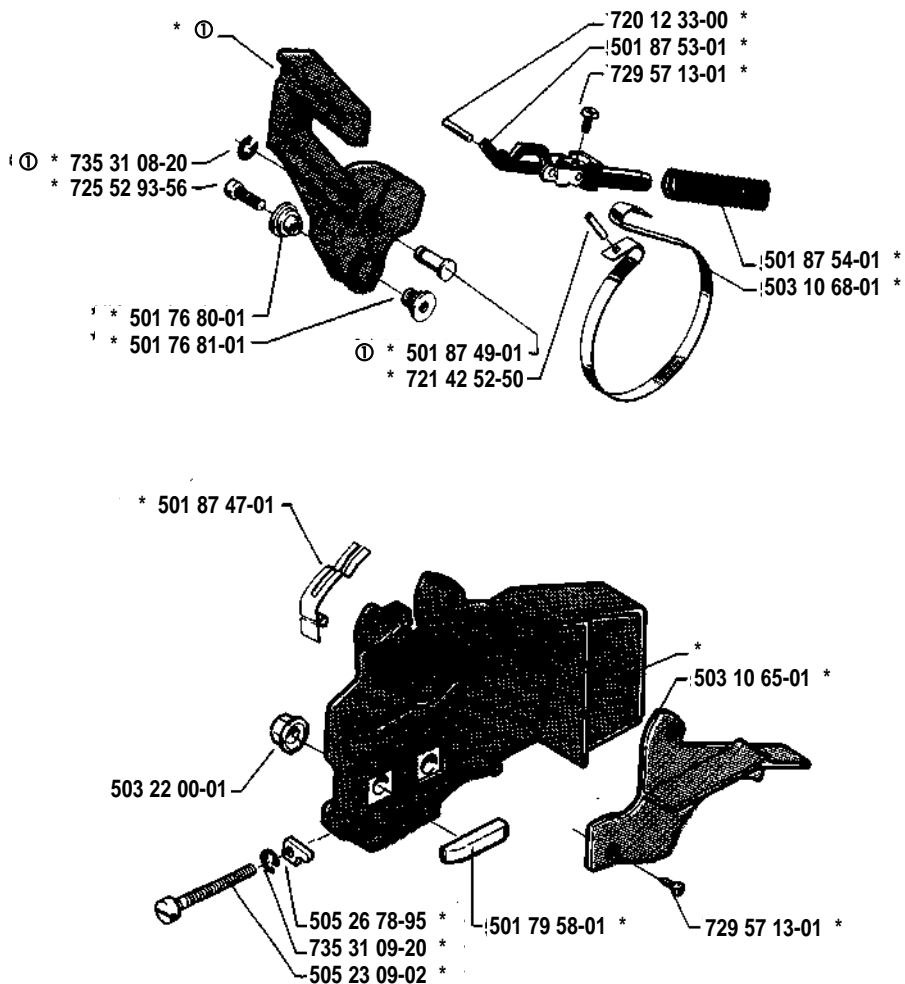
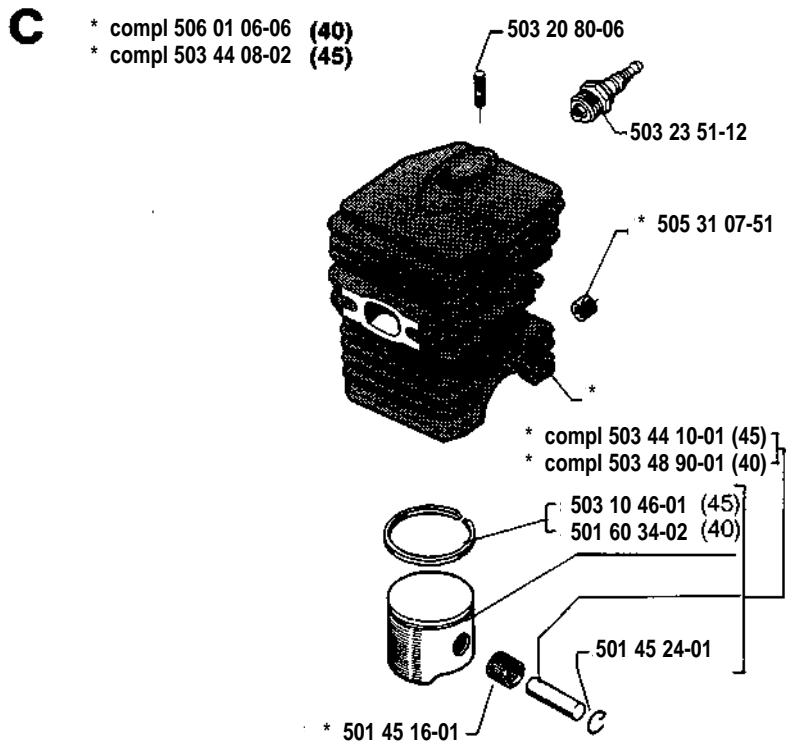


- M** \* compl 502 10 03-03

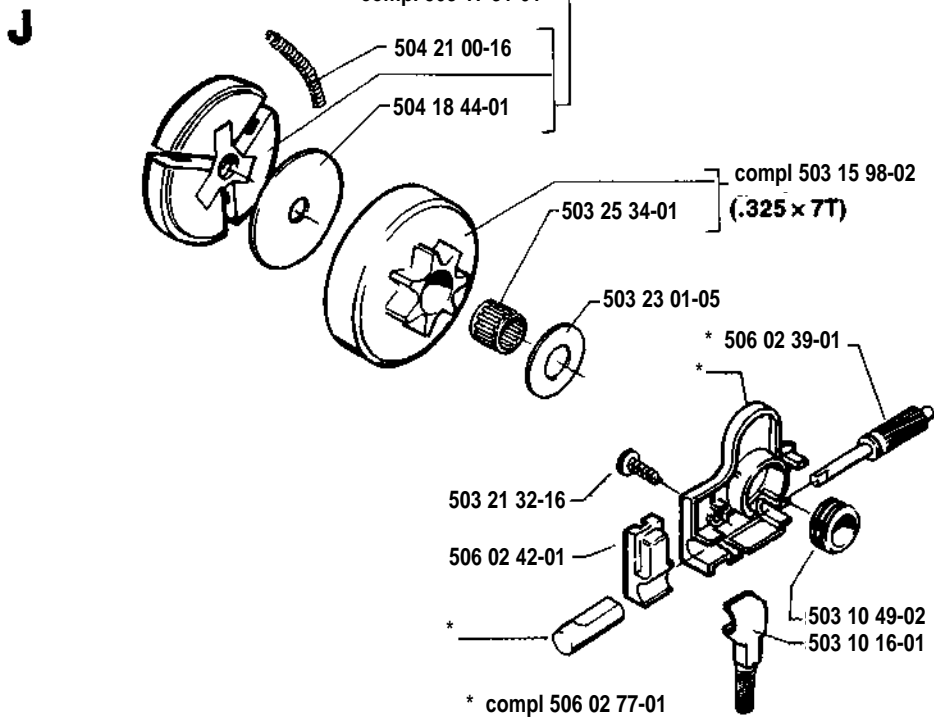
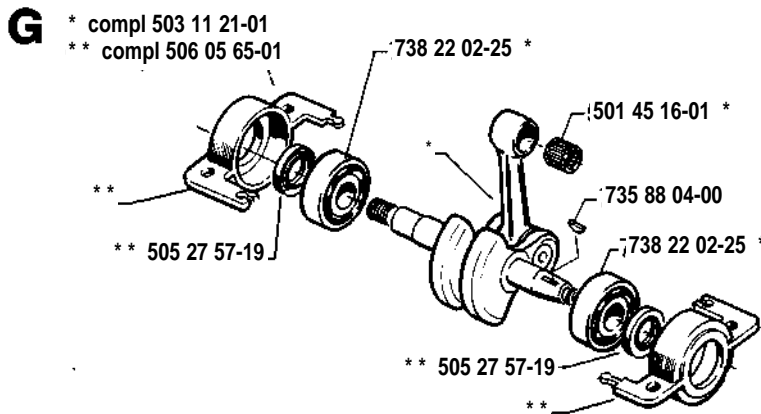
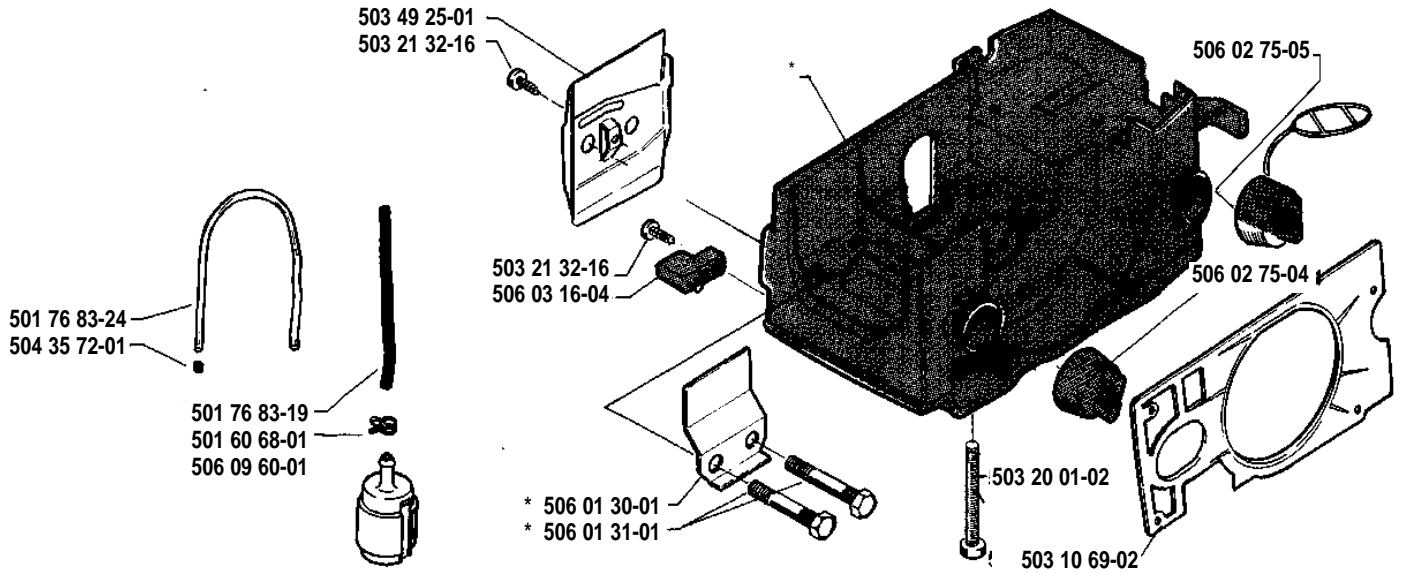
**Walbro WT 17 D**



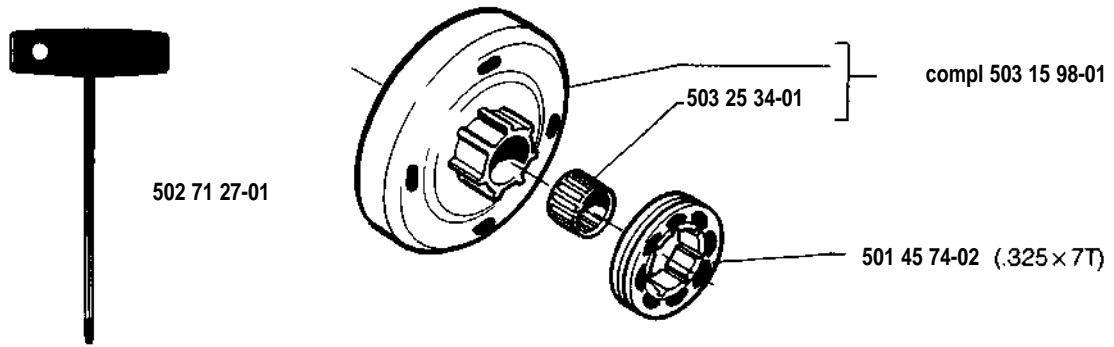
① 502 10 35-01  
**Packningssats**  
**Set of gaskets**  
**Dichtungssatz**  
**Jeu de joints**  
**Juego de Juntas**



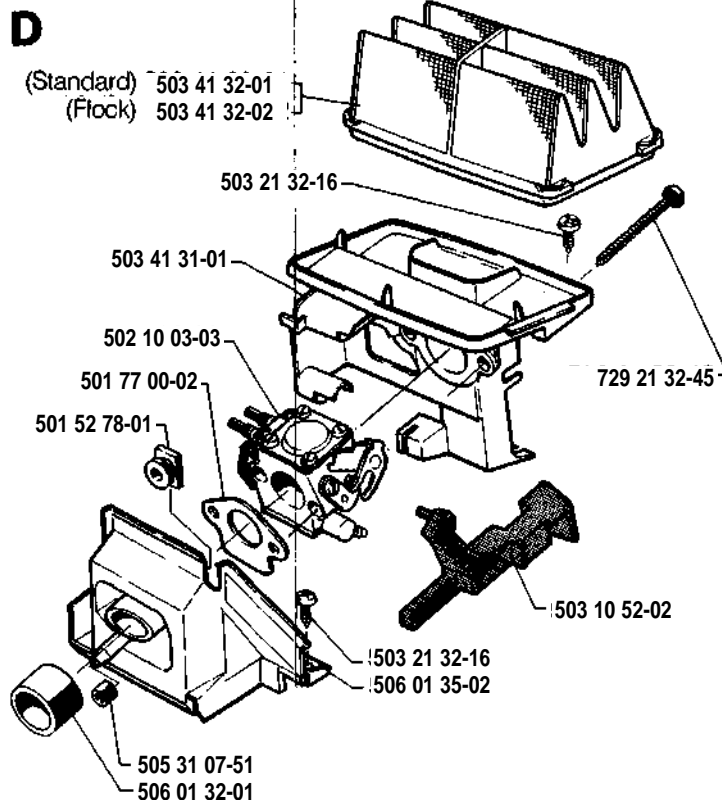
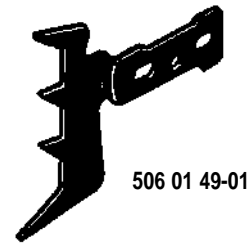
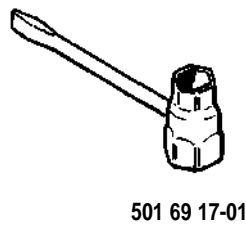
**K** \* compl 503 49 82-02



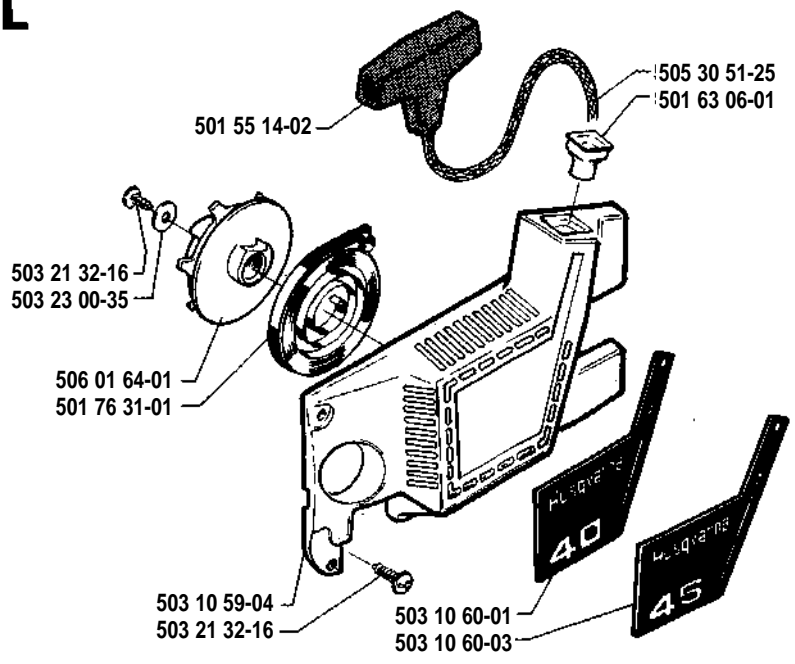
**O** Delivery as spare part only  
Nur als Ersatzteil lieferbar  
Livrabte seulement comme pièce de rechange  
Solo como repuesto  
Levereras endast som reservdel



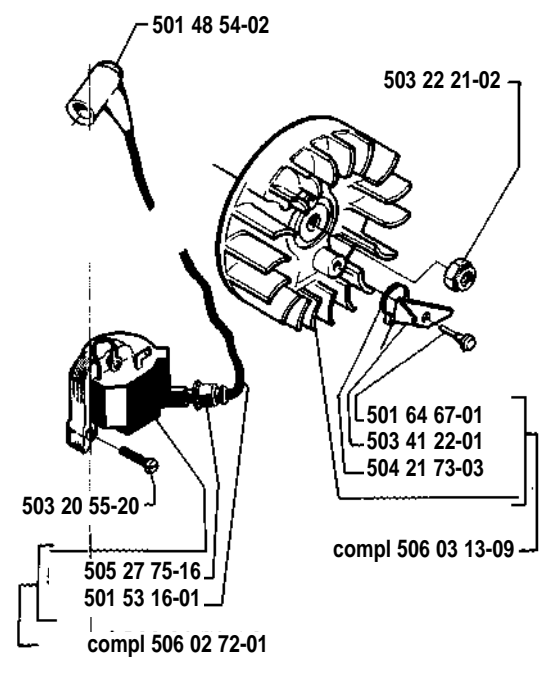
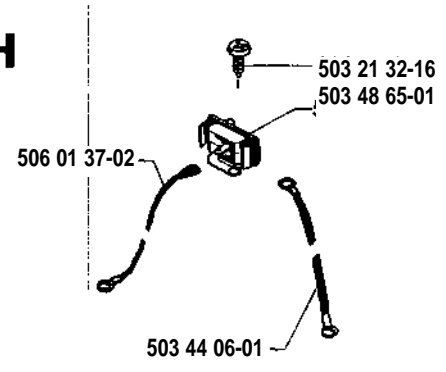
**N** Accessories  
Zubehöre  
Accessoires  
Acessorios  
Tillbehör



**L**



**H**



**E**

