

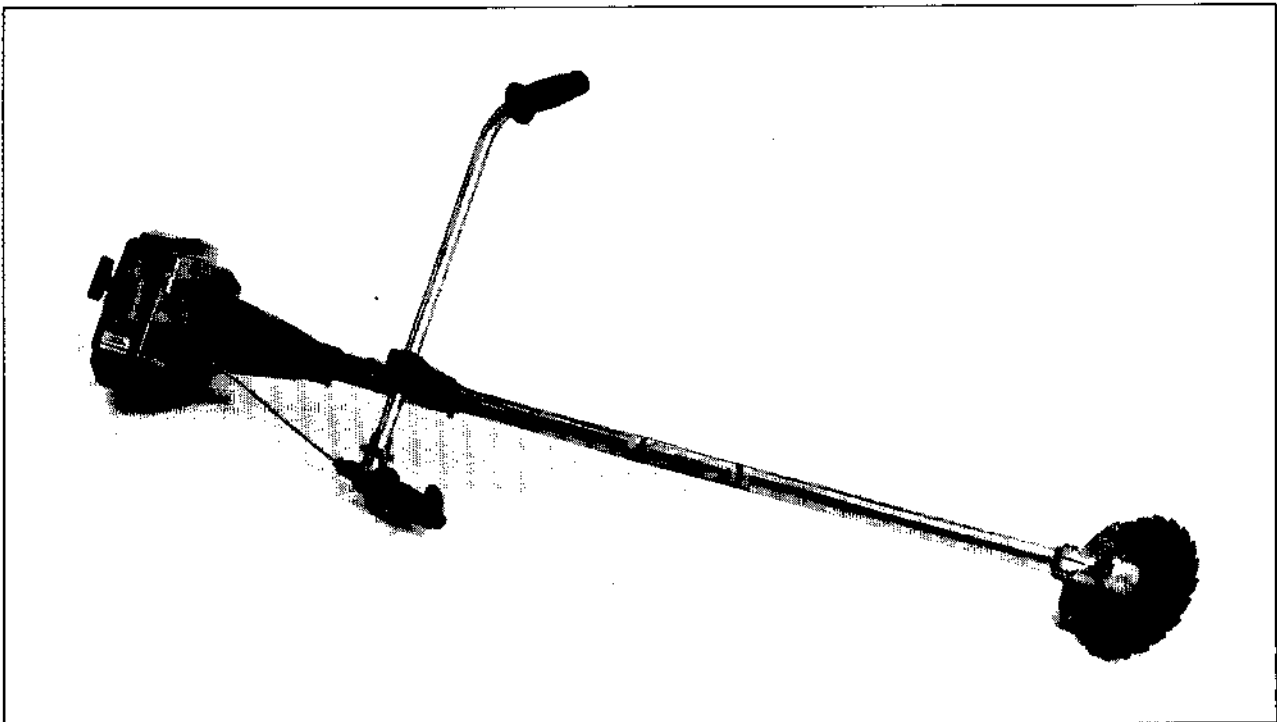


For Husqvarna Parts Call 606-678-9623 or 606-561-4983



| | | |
|--|---|------------------------|
| SERVICE  |  | 13 SX 85.104 |
|--|---|------------------------|

244RX



2. 1985

Reservdelar

Spare parts

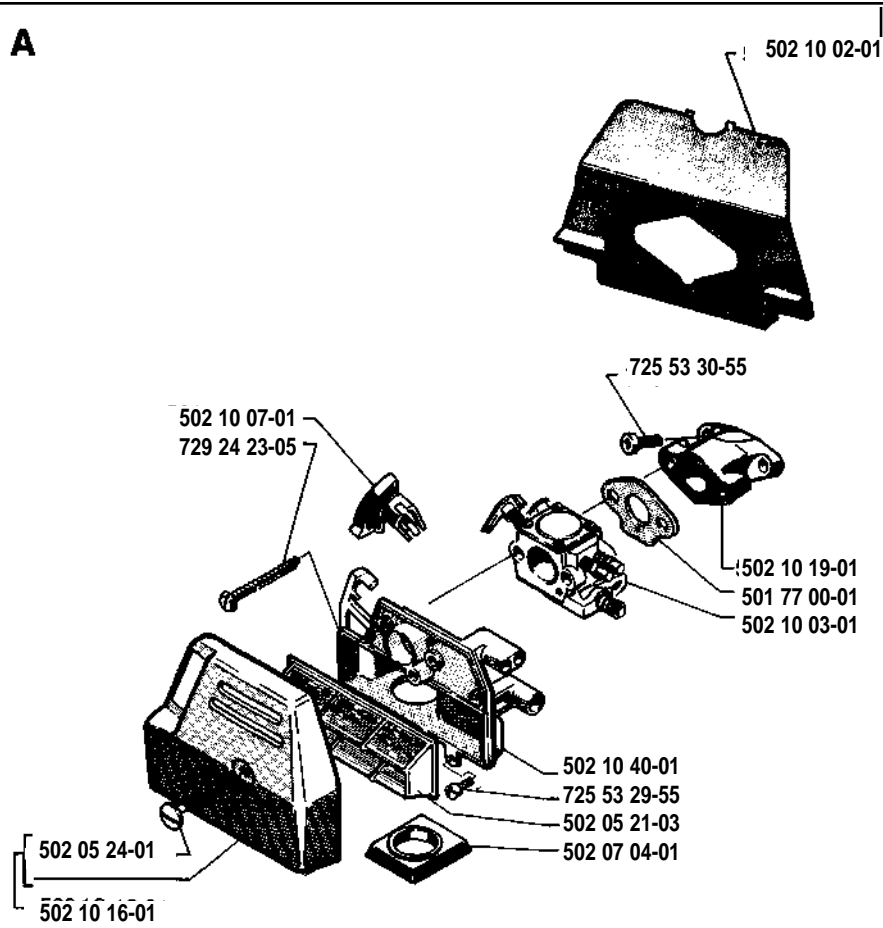
Ersatzteile

Pièces de rechange

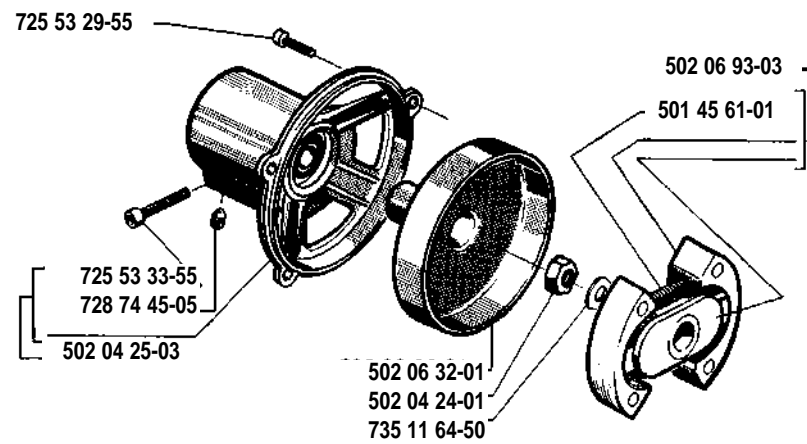
| Beställn.-nummer Part number Best. Nr No de commande Varosa n:ro | Ruta Box Viereck Carreau Index | Anm. Remarks Anm. Notes Huom | Beställn.-nummer Part number Best. Nr No de commande Varosa n:ro | Ruta Box Viereck Carreau Index | Anm. Remarks Anm. Notes Huom | Beställn.-nummer Part number Best. nr No de commande Varosa n:ro | Ruta Box Viereck Carreau Index | Anm. Remarks Anm. Notes Huom |
|--|--|--|--|--|--|--|--|--|
| 501 08 17-01 | J | | 502 04 07-04 | L | | 502 11 47-01 | E | |
| 501 26 97-02 | H, M | | 502 04 15-03 | M | | 502 11 94-01 | E | |
| 501 27 82-01 | M | | 502 04 22-01 | M | | 502 11 96-01 | E | |
| 501 31 01-05 | N | | 502 04 24-01 | G, M | | 502 11 97-01 | E | |
| 501 31 14-01 | M | | 502 04 25-03 | G | | 502 11 98-01 | E | |
| 501 31 14-02 | M | | 502 04 37-01 | M | | 503 10 87-01 | E | |
| 501 45 16-01 | C, F | | 502 04 38-01 | M | | 503 20 21-03 | J | |
| 501 45 24-01 | C | | 502 04 51-01 | L | | 503 22 65-01 | M | |
| 501 45 61-01 | G | | 502 04 53-01 | M | | 503 23 00-05 | J | |
| 501 45 63-01 | C | * | 502 04 55-01 | L | | 503 23 00-10 | D | |
| 501 46 05-01 | K | | 502 04 58-06 | L | | 503 23 50-11 | C | |
| 501 46 07-02 | K | | 502 04 60-01 | M | | 503 26 02-04 | H | |
| 501 46 09-01 | K | | 502 05 02-01 | H | | 504 10 00-11 | E | |
| 501 46 44-01 | D | * | 502 05 05-02 | H | | 504 13 08-07 | E | |
| 501 46 57-01 | J | | 502 05 21-03 | A | | 504 13 09-06 | E | |
| 501 46 69-01 | E | | 502 05 24-01 | A | | 504 21 00-49 | E | |
| 501 46 84-01 | E | | 502 05 28-01 | M | | 504 21 00-50 | E | |
| 501 46 87-01 | E | | 502 05 35-04 | J | | 504 35 09-05 | E | |
| 501 48 54-01 | J | | 502 05 38-01 | K | | 505 31 67-17 | E | |
| 501 48 56-01 | J | | 502 05 40-01 | K | | 505 31 67-54 | E | |
| 501 48 92-01 | J | | 502 05 42-01 | J | | 505 31 67-59 | E | |
| 501 54 15-02 | J | | 502 05 44-03 | H | | 505 31 67-82 | E | |
| 501 55 14-01 | K | | 502 05 52-02 | A | | 505 52 01-10 | E | |
| 501 63 02-01 | K | | 502 05 54-03 | H | | 505 52 01-13 | E | |
| 501 66 13-71 | C | | 502 05 65-02 | J | | 505 52 01-25 | E | |
| 501 66 15-02 | C | | 502 05 89-01 | H | | 505 52 01-27 | E | |
| 501 66 18-01 | C | | 502 05 96-01 | J | | 506 02 80-01 | E | |
| 501 66 21-02 | (A), C | | 502 05 98-01 | J | | 506 02 83-01 | E | |
| 501 66 21-03 | (B), C | | 502 05 99-01 | K | | 720 13 07-10 | H | |
| 501 66 21-04 | (C), C | | 502 06 24-01 | M | | 723 12 19-01 | J | |
| 501 66 36-01 | C | | 502 06 26-01 | M | | 725 52 92-56 | H | |
| 501 66 61-01 | E | | 502 06 28-01 | M | | 725 52 93-55 | J | |
| 501 66 65-01 | E | | 502 06 32-01 | G | | 725 52 94-55 | M | |
| 501 66 68-01 | E | | 502 06 35-03 | C | | 725 53 25-56 | K | |
| 501 66 78-01 | E | | 502 06 36-01 | K | | 725 53 27-55 | M | |
| 501 67 67-01 | C | * | 502 06 40-01 | F | | 725 53 27-56 | D | |
| 501 77 00-01 | A | * | 502 06 50-01 | M | | 725 53 28-55 | L | |
| 501 81 27-01 | J | | 502 06 93-03 | G | | 725 53 29-55 | G,K,M,A | |
| 501 81 28-01 | J | | 502 07 04-01 | A | | 725 53 30-55 | A | |
| 501 87 76-01 | M | | 502 07 06-01 | M | | 725 53 32-55 | C | |
| 502 00 59-06 | M | | 502 07 10-04 | M | | 725 53 33-55 | G,M,L | |
| 502 00 79-01 | M | | 502 07 14-01 | M | | 725 53 35-55 | H, M | |
| 502 00 88-01 | L | | 502 07 19-01 | M | | 725 53 43-55 | H | |
| 502 01 14-02 | L | | 502 08 83-01 | M | | 725 53 48-55 | D | |
| 502 02 00-01 | N | | 502 08 84-02 | M | | 728 74 45-05 | G | |
| 502 02 01-01 | N | | 502 09 69-01 | M | | 729 22 77-01 | C | |
| 502 02 06-01 | N | | 502 10 02-01 | A | | 729 24 23-05 | A | |
| 502 02 27-01 | N | | 502 10 03-03 | A, E | | 731 23 12-01 | M | |
| 502 02 29-02 | N | | 502 10 07-01 | A | | 731 23 14-05 | M | |
| 502 02 30-02 | N | | 502 10 08-01 | M | | 731 23 18-01 | J | |
| 502 02 31-01 | N | | 502 10 12-01 | B | | 734 11 24-01 | J | |
| 502 02 34-02 | J | | 502 10 14-01 | B | | 735 11 36-50 | J | |
| 502 02 83-01 | M | | 502 10 16-01 | A | | 735 11 46-50 | C,H,J,K,M | |
| 502 03 10-03 | L | | 502 10 19-01 | A | | 735 11 64-50 | G, J | |
| 502 03 47-01 | D | | 502 10 21-01 | E | | 735 31 09-20 | N | |
| 502 03 55-01 | N | | 502 10 28-01 | E | | 735 31 17-00 | L | |
| 502 03 56-02 | D | | 502 10 29-01 | E | | 735 80 15-00 | F | |
| 502 03 59-01 | D | | 502 10 30-01 | E | | 737 38 14-04 | M | |
| 502 03 60-01 | D | | 502 10 31-01 | E | | 738 21 01-00 | L | |
| 502 03 64-01 | N | | 502 10 32-01 | E | | 738 21-02-00 | L | |
| 502 03 68-01 | M | | 502 10 35-01 | E | | 738 21 02-04 | L | |
| 502 03 70-01 | L | | 502 10 40-01 | A | | 738 22 02-15 | F | |
| 502 03 91-01 | L | | 502 10 41-01 | B | | 740 44 05-00 | L | |
| 502 03 92-01 | L | | 502 10 43-01 | J | | 740 48 27-02 | H | |
| 502 03 93-01 | L | | 502 10 44-01 | J | | 740 51 13-01 | L | |
| 502 03 95-01 | L | | 502 10 50-01 | M | | 740 51 40-00 | L | |
| 502 04 05-01 | L | | 502 11 44-01 | E | | | | |

* = 50 20 642-01
 Packningssats
 Set of gaskets
 Dichtungssatz
 Jeu de joints

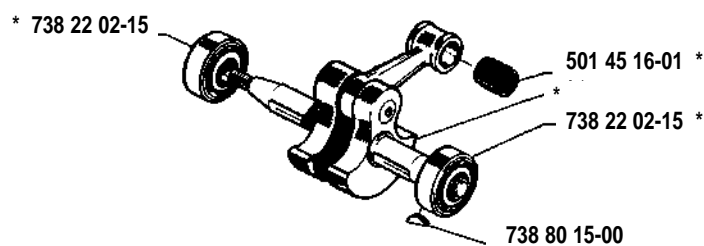
A



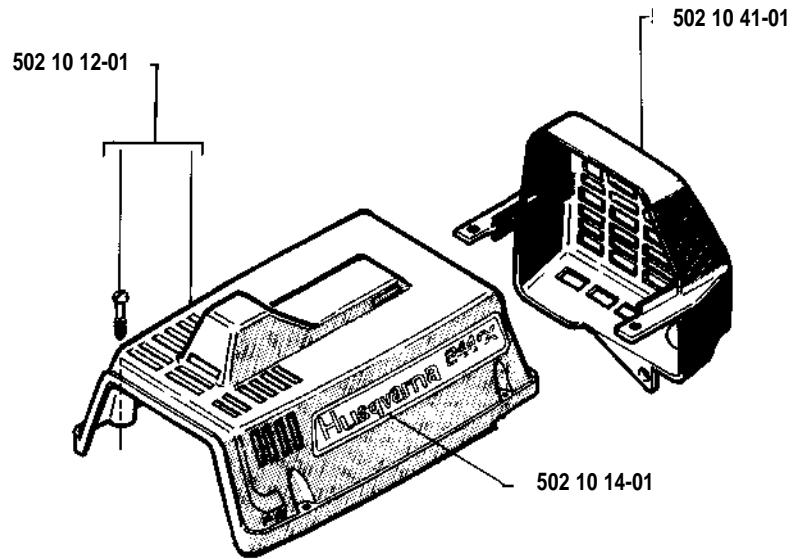
G



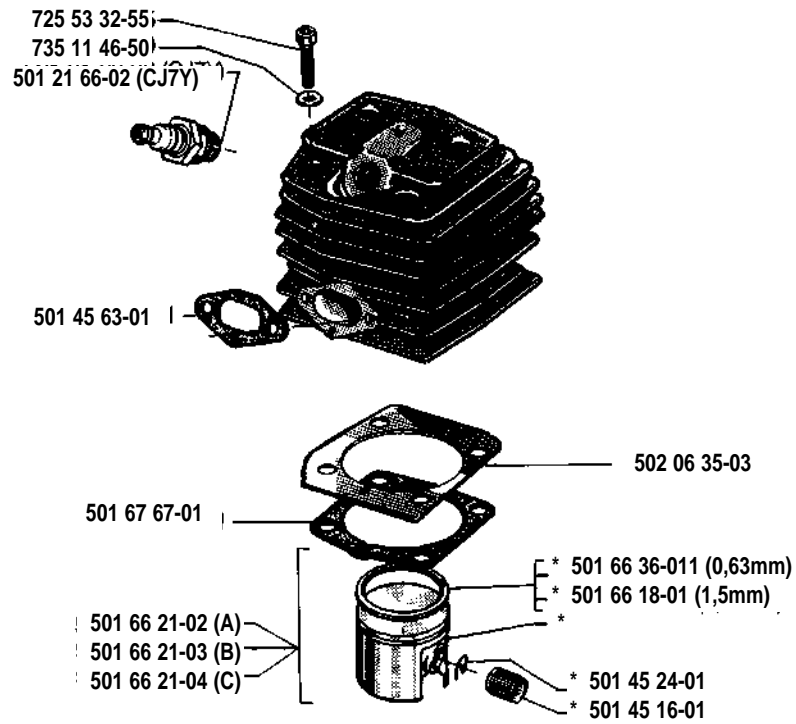
F * compl 502 06 40-01



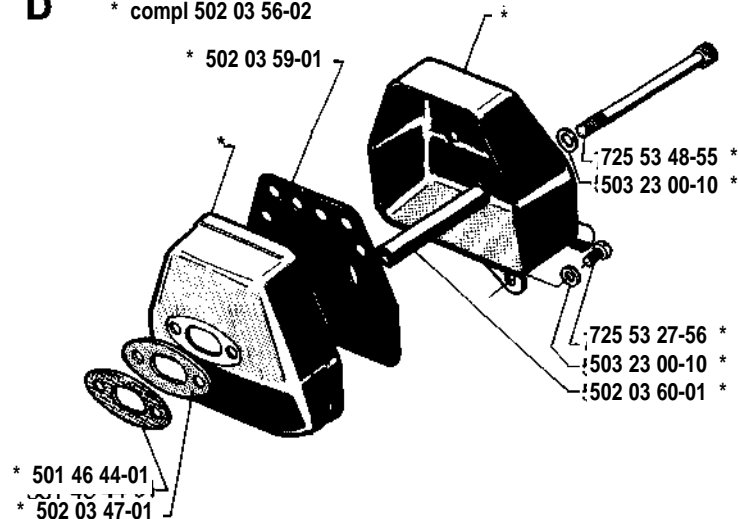
B

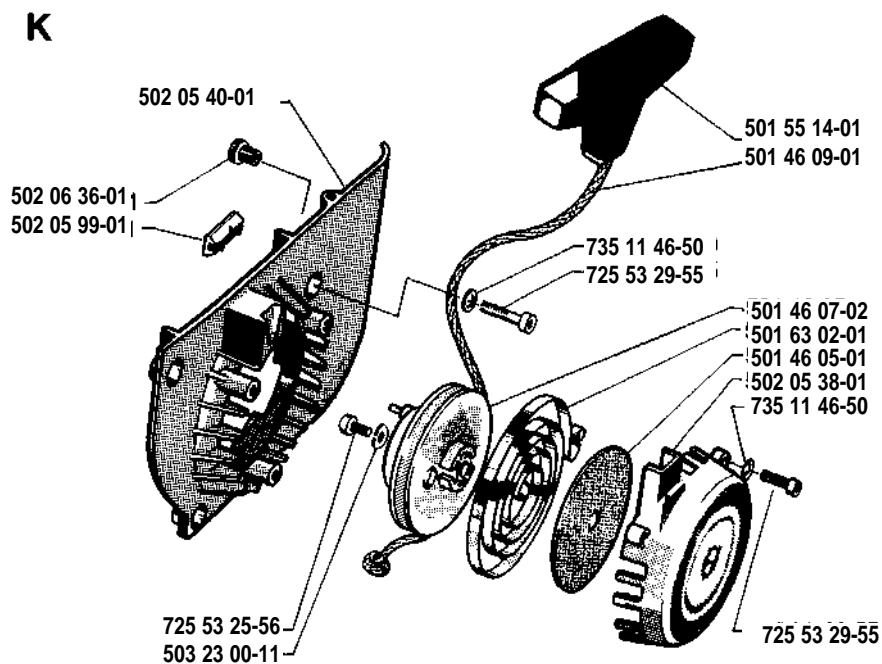
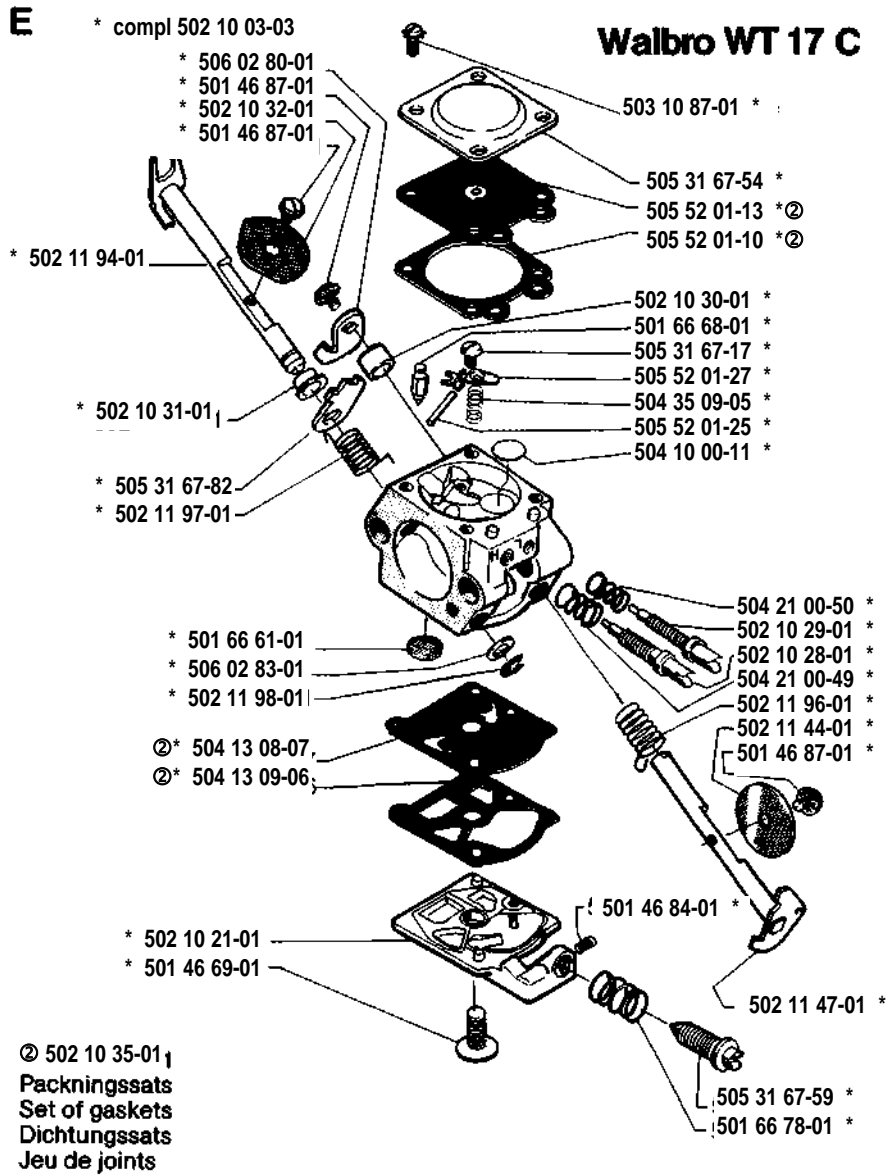


C * compl 501 66 13-71

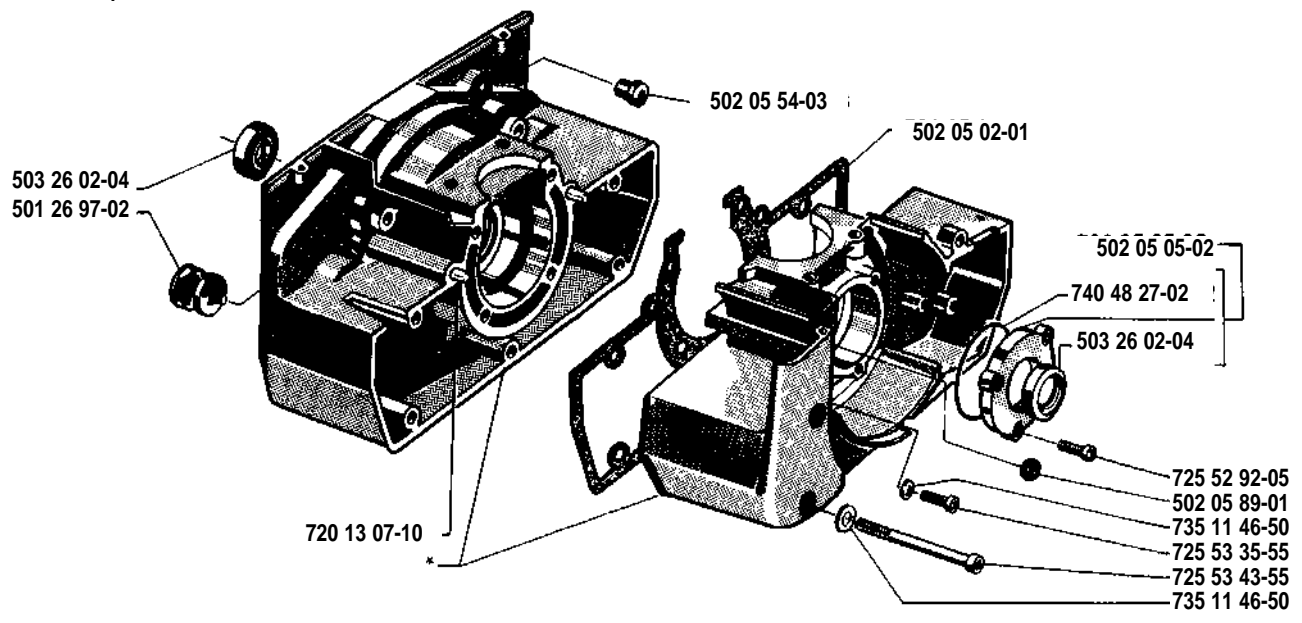


D * compl 502 03 56-02

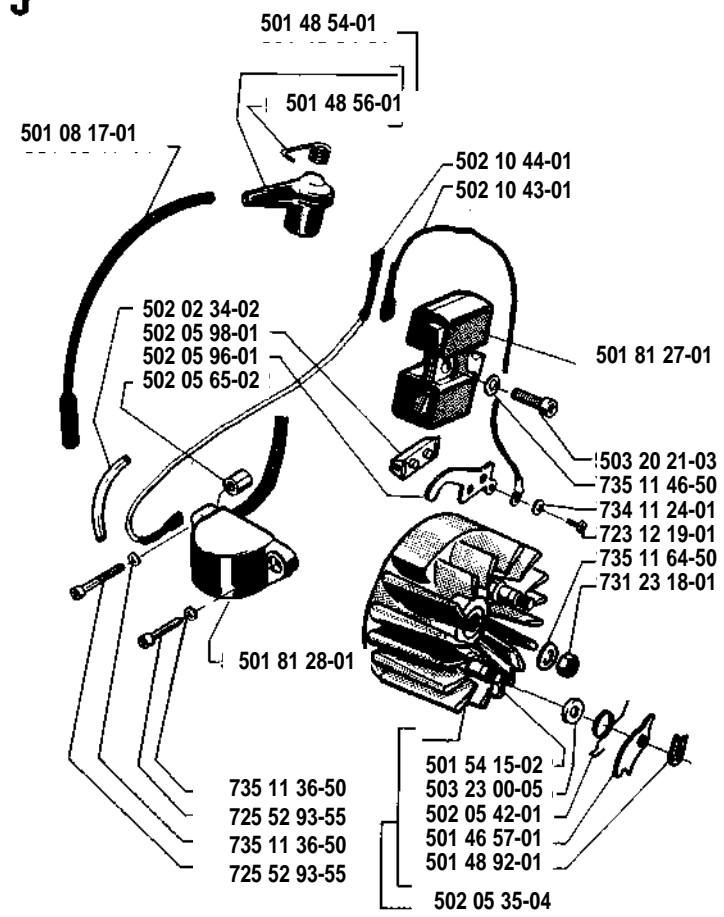


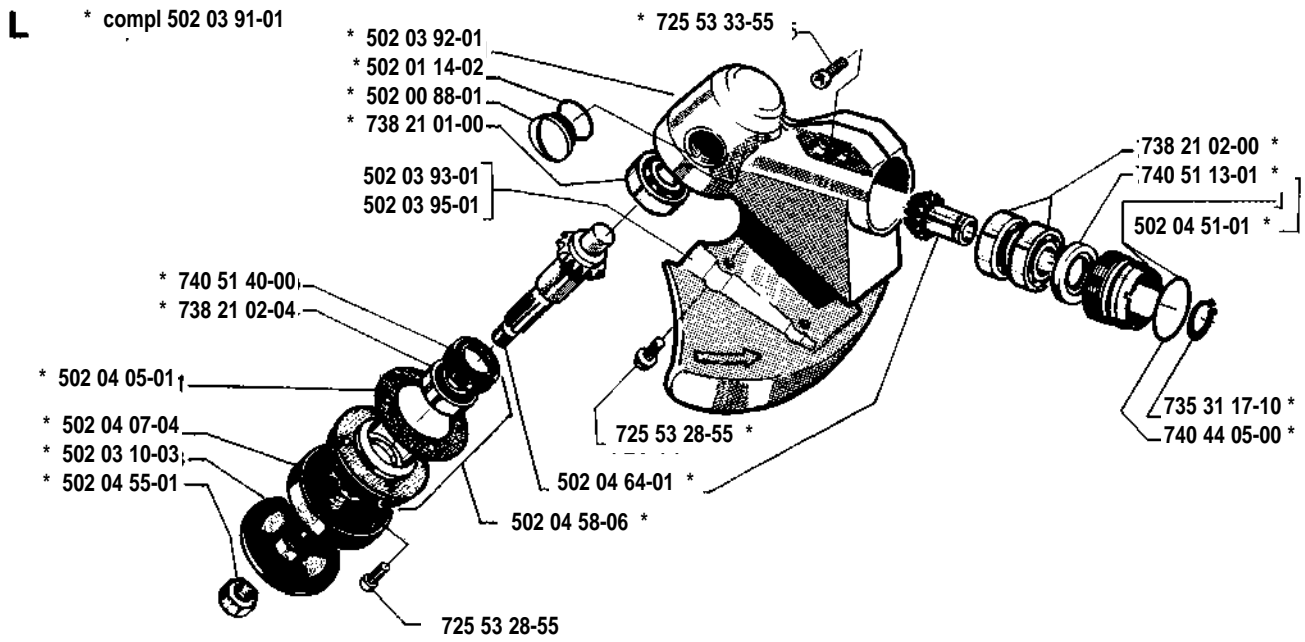


H * compl 502 05 44-03



J





N

