



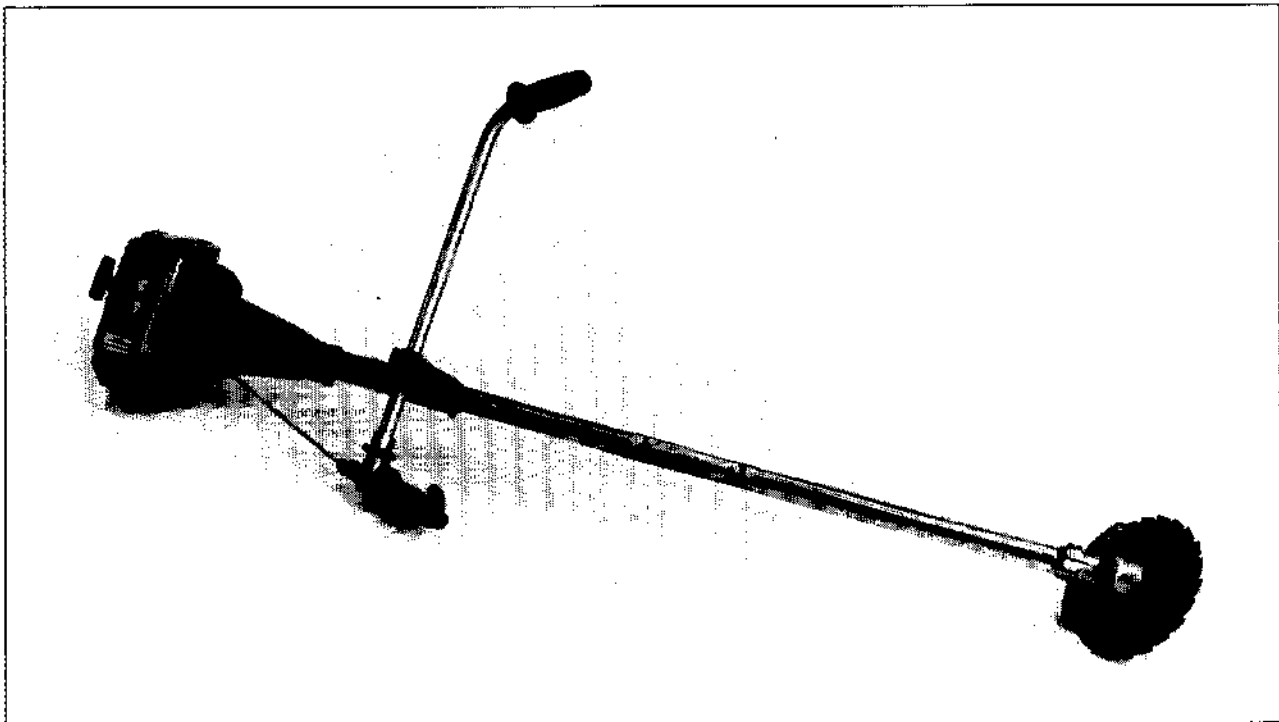
For Husqvarna Parts Call 606-678-9623 or 606-561-4983



|  |   |                        |
|--|---|------------------------|
| <b>SERVICE</b><br> |  | <b>13</b><br>SX 85.101 |
|--|---|------------------------|

OCT 14 1985

# 244RX



**1. 1985**

**Reservdelar**

**Spare parts**

**Ersatzteile**

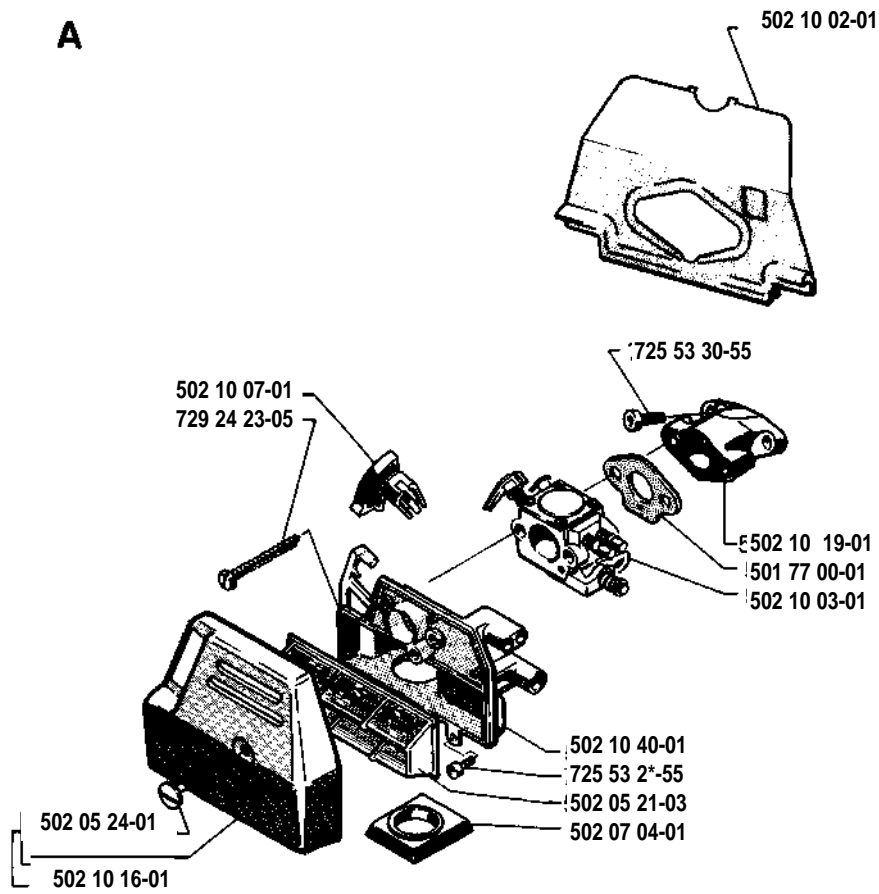
**Pièces de rechange**

| Beställn.-nummer<br>Part number<br>Best. Nr<br>No de commande<br>Varaosä n:ro | Ruta<br>Box<br>Viereck<br>Carreau<br>Index | Anm.<br>Remarks<br>Anm.<br>Notes<br>Huom | Beställn.-nummer<br>Part number<br>Best. Nr<br>No de commande<br>Varaosä n:ro | Ruta<br>Box<br>Viereck<br>Carreau<br>Index | Anm.<br>Remarks<br>Anm.<br>Notes<br>Huom | Beställn.-nummer<br>Part number<br>Best. nr<br>No de commande<br>Varaosä n:ro | Ruta<br>Box<br>Viereck<br>Carreau<br>Index | Anm.<br>Remarks<br>Anm.<br>Notes<br>Huom |
|---|--|--|---|--|--|---|--|--|
| 501 08 17-01  | J  |  | 502 04 05-01  | L  |  | 502 10 43-01  | J  |  |
| 501 26 97-02  | H, M                                       |  | 502 04 07-04  | L  |  | 502 10 44-01  | J  | E  |
| 501 27 82-01  | M  |  | 502 04 15-61  | M  |  | 502 11 44-01  | E  | E  |
| 501 31 01-05  | N  |  | 502 04 19-02  | M  |  | 502 11 47-01  | E  | E  |
| 501 31 14-01  | M  |  | 502 04 22-01  | M  |  | 503 20 21-03  | J  |  |
| 501 31 14-02  | M  |  | 502 04 24-01  | G, M                                       |  | 503 23 00-05  | J  | D  |
| 501 45 16-01  | C, F                                       |  | 502 04 25-03  | G  |  | 503 23 00-10  | J  | C  |
| 501 45 24-01  | C  |  | 502 04 37-01  | M  |  | 503 23 50-11  | D  | H  |
| 501 45 61-01  | G  |  | 502 04 38-01  | M  |  | 503 26 02-04  | H  | E  |
| 501 45 63-01  | C  | *  | 502 04 51-01  | L  |  | 504 10 00-11  | E  |  |
| 501 46 05-01  | K  |  | 502 04 53-01  | M  |  | 504 13 08-07  | E  |  |
| 501 46 07-02  | K  |  | 502 04 55-01  | L  |  | 504 13 09-06  | E  |  |
| 501 46 09-01  | K  |  | 502 04 58-06  | L  |  | 504 21 00-49  | E  |  |
| 501 46 44-01  | D  | *  | 502 04 60-01  | M  |  | 504 21 00-50  | E  |  |
| 501 46 57-01  | J  |  | 502 05 02-01  | H  |  | 504 35 09-05  | E  |  |
| 501 46 69-01  | E  |  | 502 05 05-02  | H  |  | 505 31 67-17  | E  |  |
| 501 46 84-01  | E  |  | 502 05 21-03  | A  |  | 505 31 67-36  | E  |  |
| 501 46 87-01  | E  |  | 502 05 24-01  | A  |  | 505 31 67-54  | E  |  |
| 501 46 88-01  | E  |  | 502 05 28-01  | M  |  | 505 31 67-59  | E  |  |
| 501 48 54-01  | J  |  | 502 05 35-04  | J  |  | 505 31 67-82  | E  |  |
| 501 48 56-01  | J  |  | 502 05 38-01  | K  |  | 505 52 01-10  | E  |  |
| 501 48 92-01  | J  |  | 502 05 40-01  | K  |  | 505 52 01-13  | E  |  |
| 501 54 15-02  | J  |  | 502 05 42-01  | J  |  | 505 52 01-25  | E  |  |
| 501 55 14-01  | K  |  | 502 05 44-03  | H  |  | 505 52 01-27  | E  |  |
| 501 63 02-01  | K  |  | 502 05 52-02  | A  |  | 506 02 80-01  | E  |  |
| 501 66 13-71  | C  |  | 502 05 54-03  | H  |  | 506 02 82-01  | E  |  |
| 501 66 15-02  | C  |  | 502 05 65-02  | J  |  | 506 02 83-01  | E  |  |
| 501 66 18-01  | C  |  | 502 05 89-01  | H  |  | 720 13 07-10  | H  |  |
| 501 66 21-02  | (A), C                                     |  | 502 05 96-01  | J  |  | 723 12 19-01  | J  |  |
| 501 66 21-03  | (B), C                                     |  | 502 05 98-01  | J  |  | 725 52 92-56  | H  |  |
| 501 66 21-04  | (C), C                                     |  | 502 05 99-01  | K  |  | 725 52 93-55  | J  |  |
| 501 66 36-01  | C  |  | 502 06 24-01  | M  |  | 725 52 94-55  | M  |  |
| 501 66 61-01  | E  |  | 502 06 26-01  | M  |  | 725 53 25-56  | K  |  |
| 501 66 65-01  | E  |  | 502 06 28-01  | M  |  | 725 53 27-55  | M  |  |
| 501 66 68-01  | E  |  | 502 06 32-01  | G  |  | 725 53 27-56  | D  |  |
| 501 66 78-01  | E  |  | 502 06 35-03  | C  |  | 725 53 28-55  | L  |  |
| 501 67 67-01  | C  | *  | 502 06 36-01  | K  |  | 725 53 29-55  | G,K,M,A                                    |  |
| 501 77 00-01  | A  | *  | 502 06 40-01  | F  |  | 725 53 30-55  | A  |  |
| 501 81 27-01  | J  |  | 502 06 50-01  | M  |  | 725 53 32-55  | C  |  |
| 501 81 28-01  | J  |  | 502 06 93-03  | G  |  | 725 53 33-55  | G,M,L                                      |  |
| 501 87 76-01  | M  |  | 502 07 04-01  | A  |  | 725 53 35-55  | H, M                                       |  |
| 502 00 59-06  | M  |  | 502 07 06-01  | M  |  | 725 53 43-55  | H  |  |
| 502 00 79-01  | M  |  | 502 07 10-04  | M  |  | 725 53 48-55  | D  |  |
| 502 00 88-01  | L  |  | 502 07 14-01  | M  |  | 728 74 45-05  | G  |  |
| 502 01 14-01  | L  |  | 502 07 19-01  | M  |  | 729 22 77-01  | C  |  |
| 502 02 00-01  | N  |  | 502 08 83-01  | M  |  | 729 24 23-05  | A  |  |
| 502 02 01-01  | N  |  | 502 08 84-02  | M  |  | 731 23 12-01  | M  |  |
| 502 02 06-01  | N  |  | 502 09 69-01  | M  |  | 731 23 14-01  | M  |  |
| 502 02 27-01  | N  |  | 502 10 02-01  | A  |  | 731 23 14-05  | M  |  |
| 502 02 29-02  | N  |  | 502 10 03-01  | A, E                                       |  | 731 23 18-01  | J  |  |
| 502 02 30-02  | N  |  | 502 10 07-01  | A  |  | 734 11 24-01  | J  |  |
| 502 02 31-01  | N  |  | 502 10 08-01  | M  |  | 735 11 36-50  | J  |  |
| 502 02 34-02  | J  |  | 502 10 12-01  | B  |  | 735 11 46-50  | C,H,J,K,M                                  |  |
| 502 02 83-01  | M  |  | 502 10 14-01  | B  |  | 735 11 64-50  | G, J                                       |  |
| 502 03 10-03  | L  |  | 502 10 16-01  | A  |  | 735 31 09-20  | N  |  |
| 502 03 47-01  | D  |  | 502 10 19-01  | A  |  | 735 31 17-00  | L  |  |
| 502 03 55-01  | N  |  | 502 10 21-01  | E  |  | 735 80 15-00  | F  |  |
| 502 03 56-02  | D  |  | 502 10 23-01  | E  |  | 737 38 14-04  | M  |  |
| 502 03 59-01  | D  |  | 502 10 24-01  | E  |  | 738 21 01-00  | L  |  |
| 502 03 60-01  | D  |  | 502 10 28-01  | E  |  | 738 21-02-00  | L  |  |
| 502 03 64-01  | N  |  | 502 10 29-01  | E  |  | 738 21 02-04  | L  |  |
| 502 03 68-01  | M  |  | 502 10 30-01  | E  |  | 738 22 02-15  | F  |  |
| 502 03 70-01  | L  |  | 502 10 31-01  | E  |  | 740 44 05-00  | L  |  |
| 502 03 91-01  | L  |  | 502 10 32-01  | E  |  | 740 48 27-02  | H  |  |
| 502 03 92-01  | L  |  | 502 10 35-01  | E  |  | 740 51 13-01  | L  |  |
| 502 03 93-01  | L  |  | 502 10 40-01  | A  |  | 740 51 40-00  | L  |  |
| 502 03 95-01  | L  |  | 502 10 41-01  | B  |  |   |  |  |

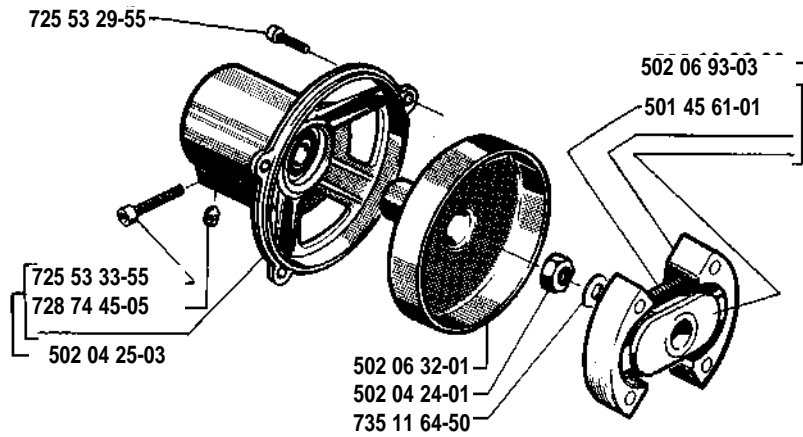
\* = 50 20 842-01

Packningssats  
Set of gaskets  
Dichtungssatz  
Jeu de joints

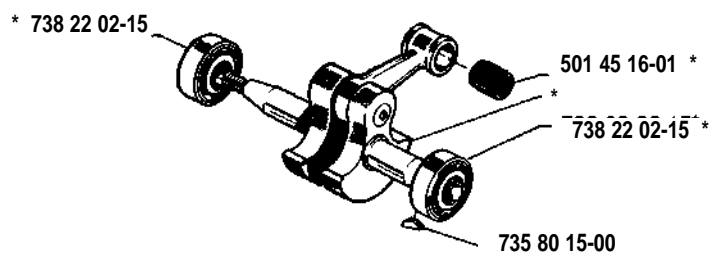
**A**



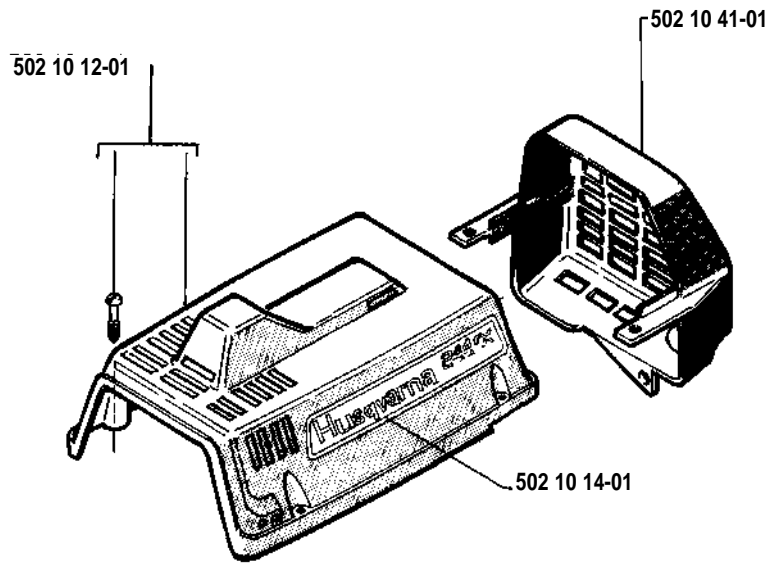
**G**



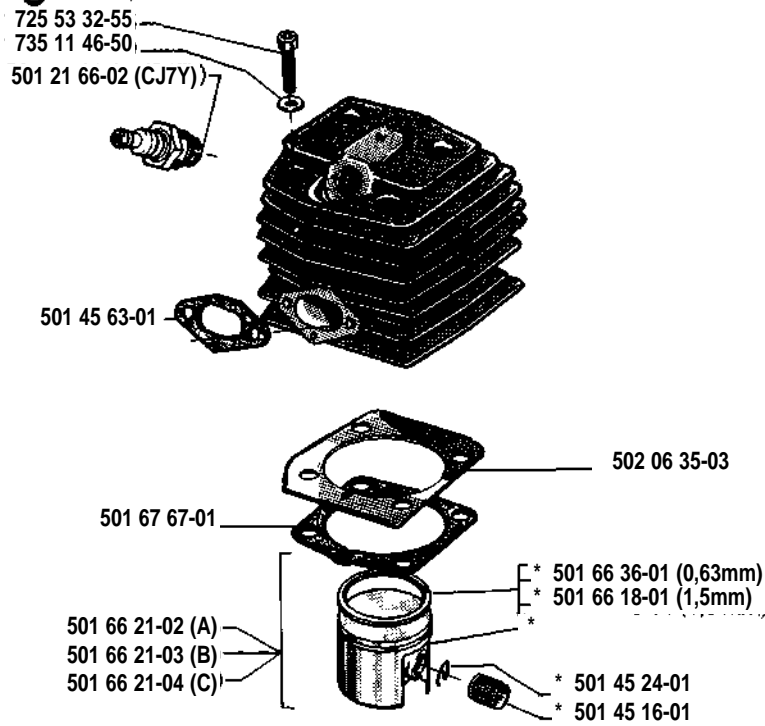
**F** \* compl 502 06 40-01



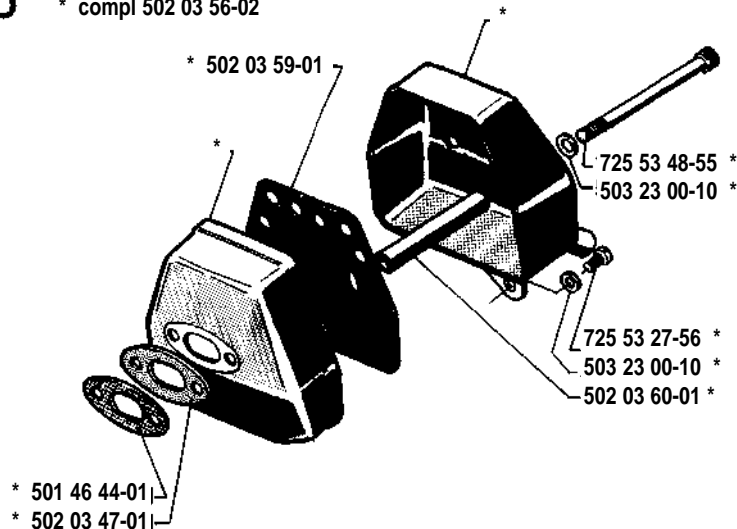
**B**

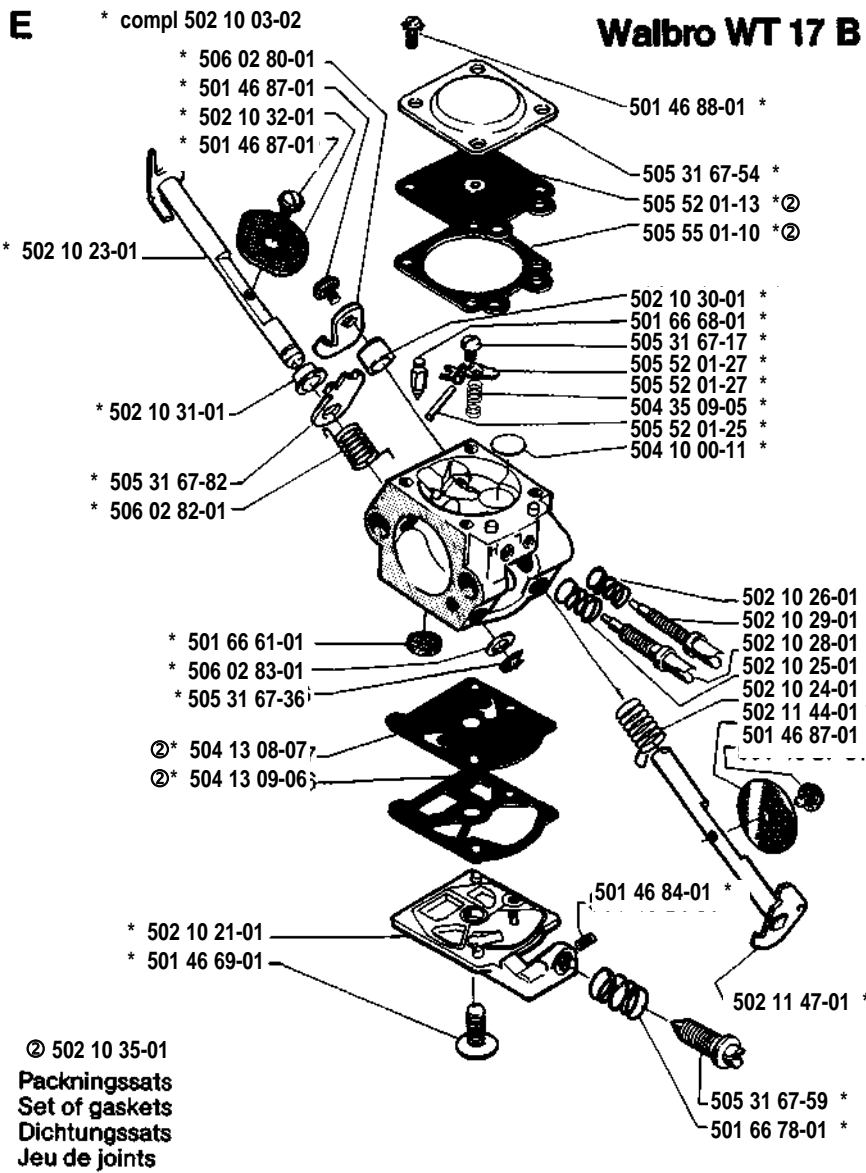


**C** \* compl 501 66 13-71

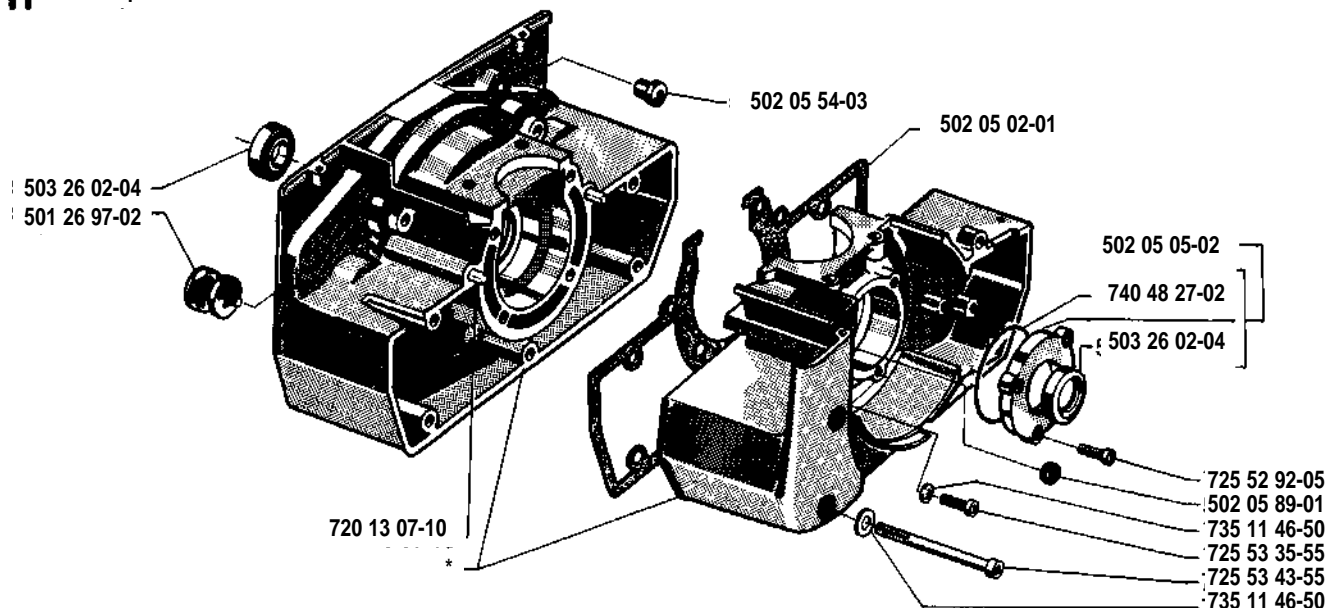


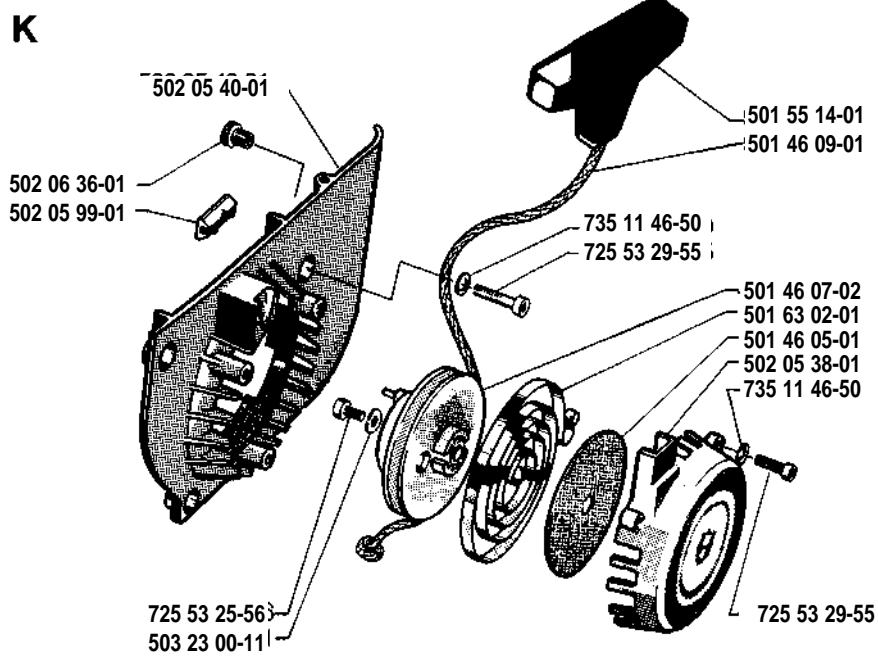
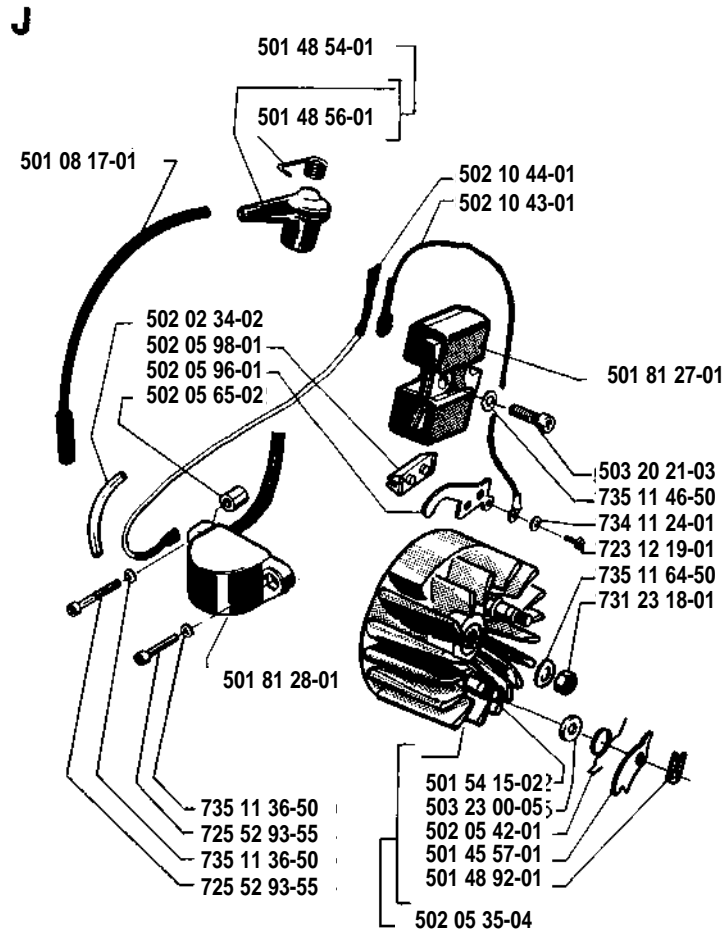
**D** \* compl 502 03 56-02

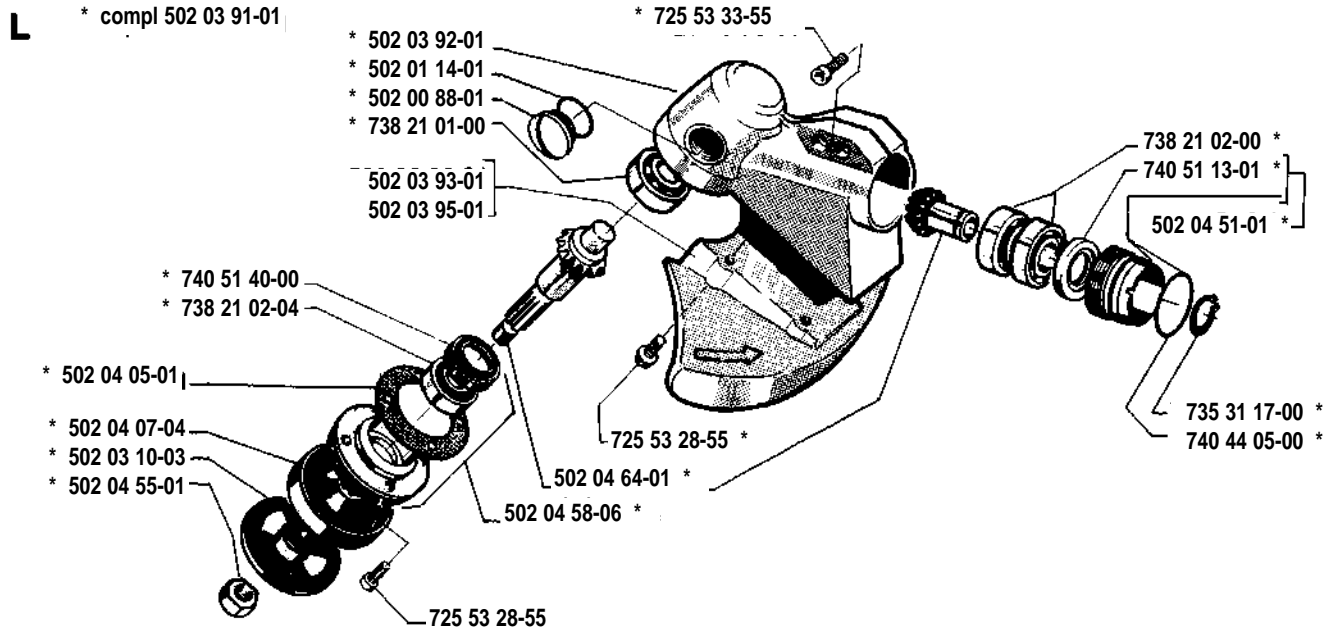




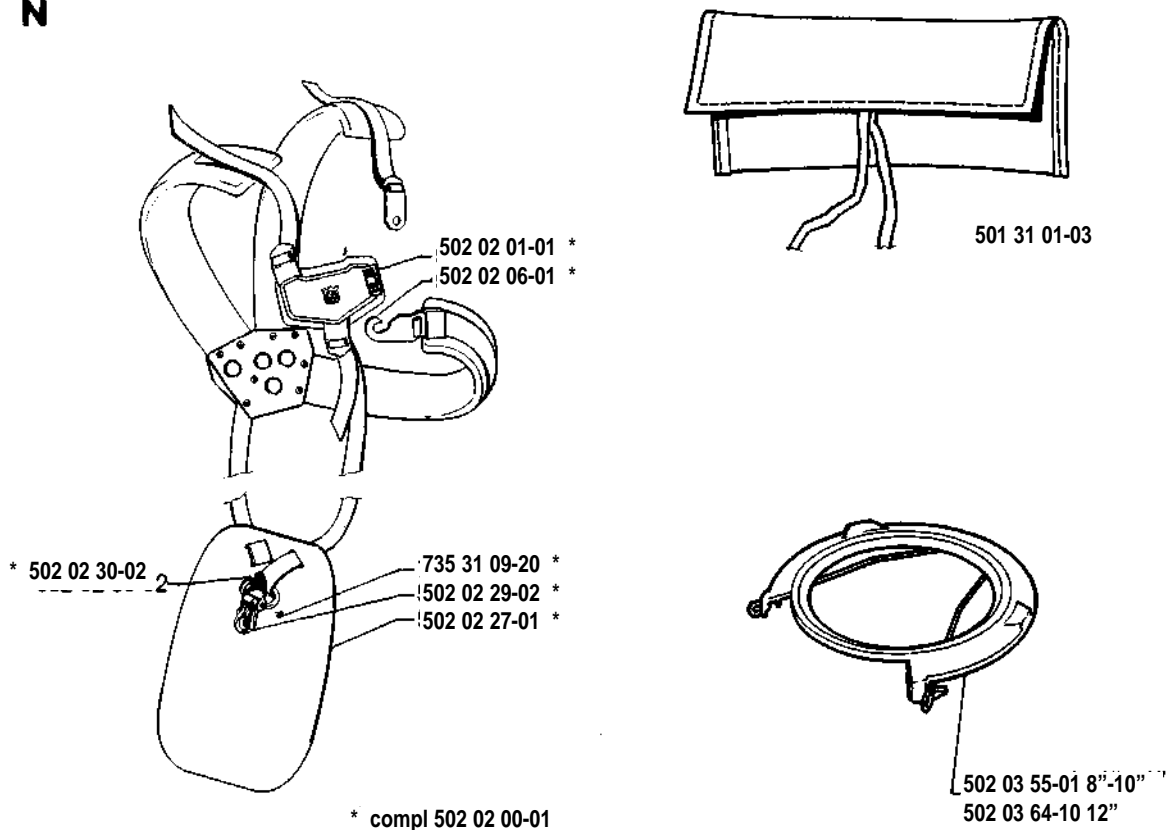
**H** \* compl 502 05 44-03







**N**



**M**

\* compl 502 07 14-01

