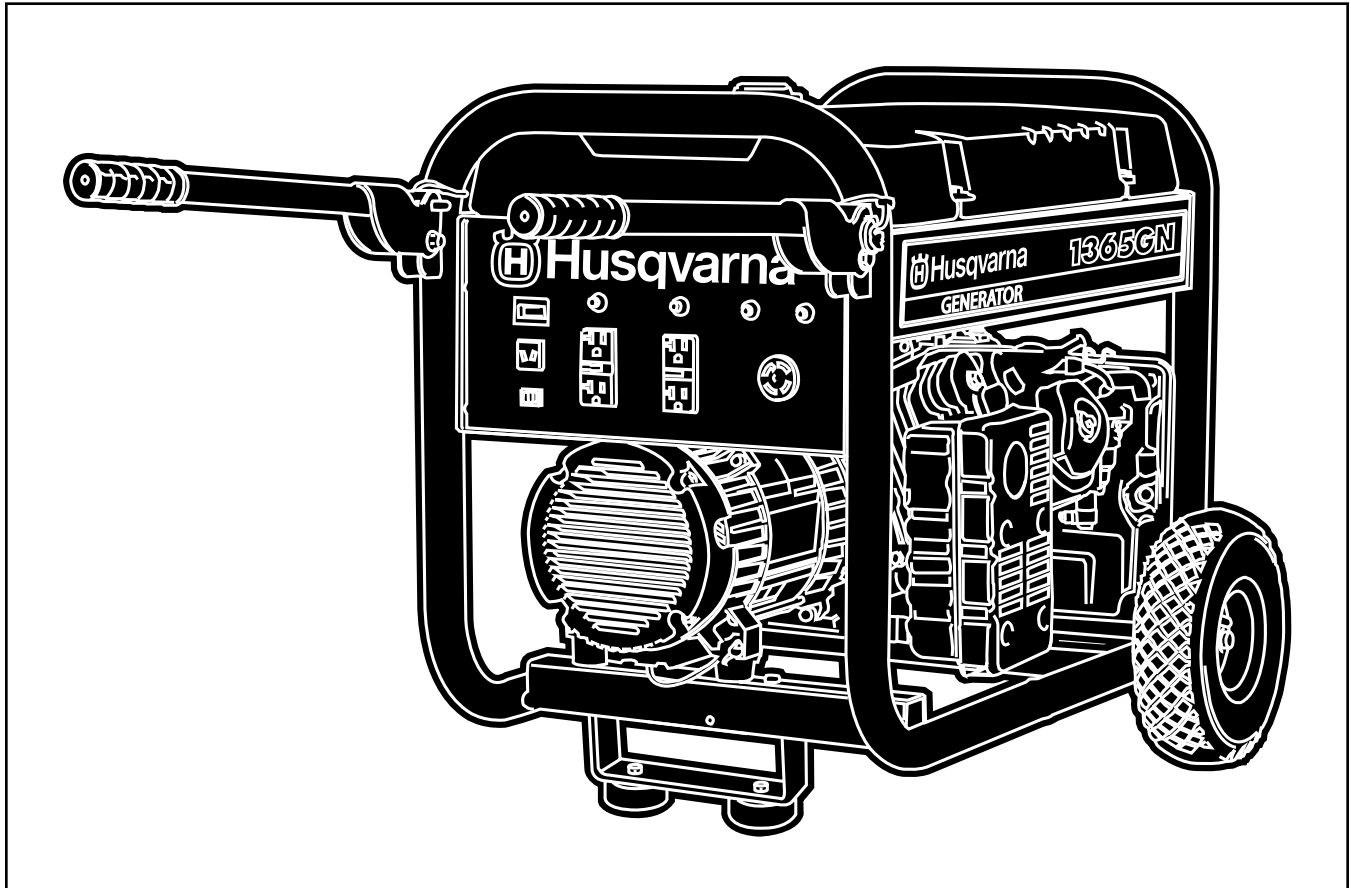


Husqvarna



01935

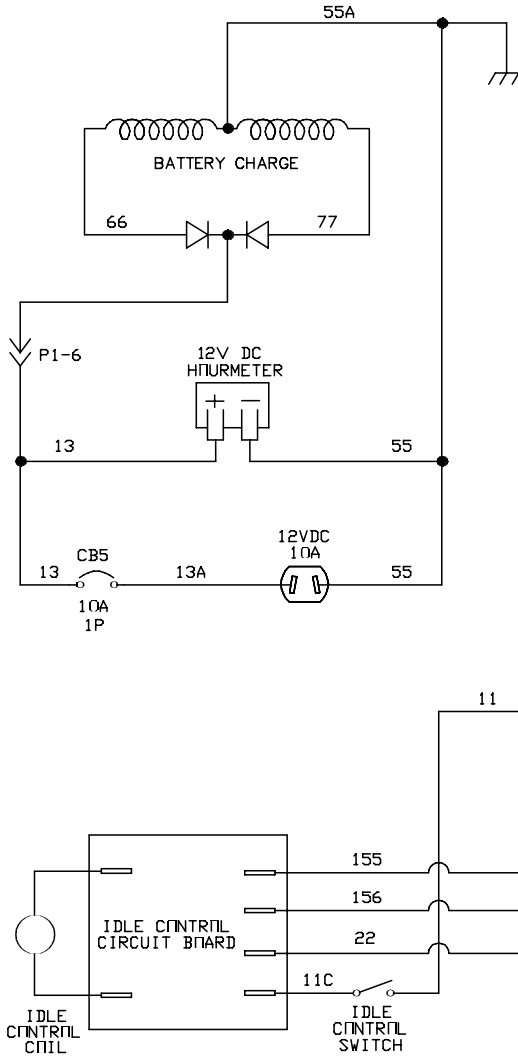
1365GN

Illustrated Parts List

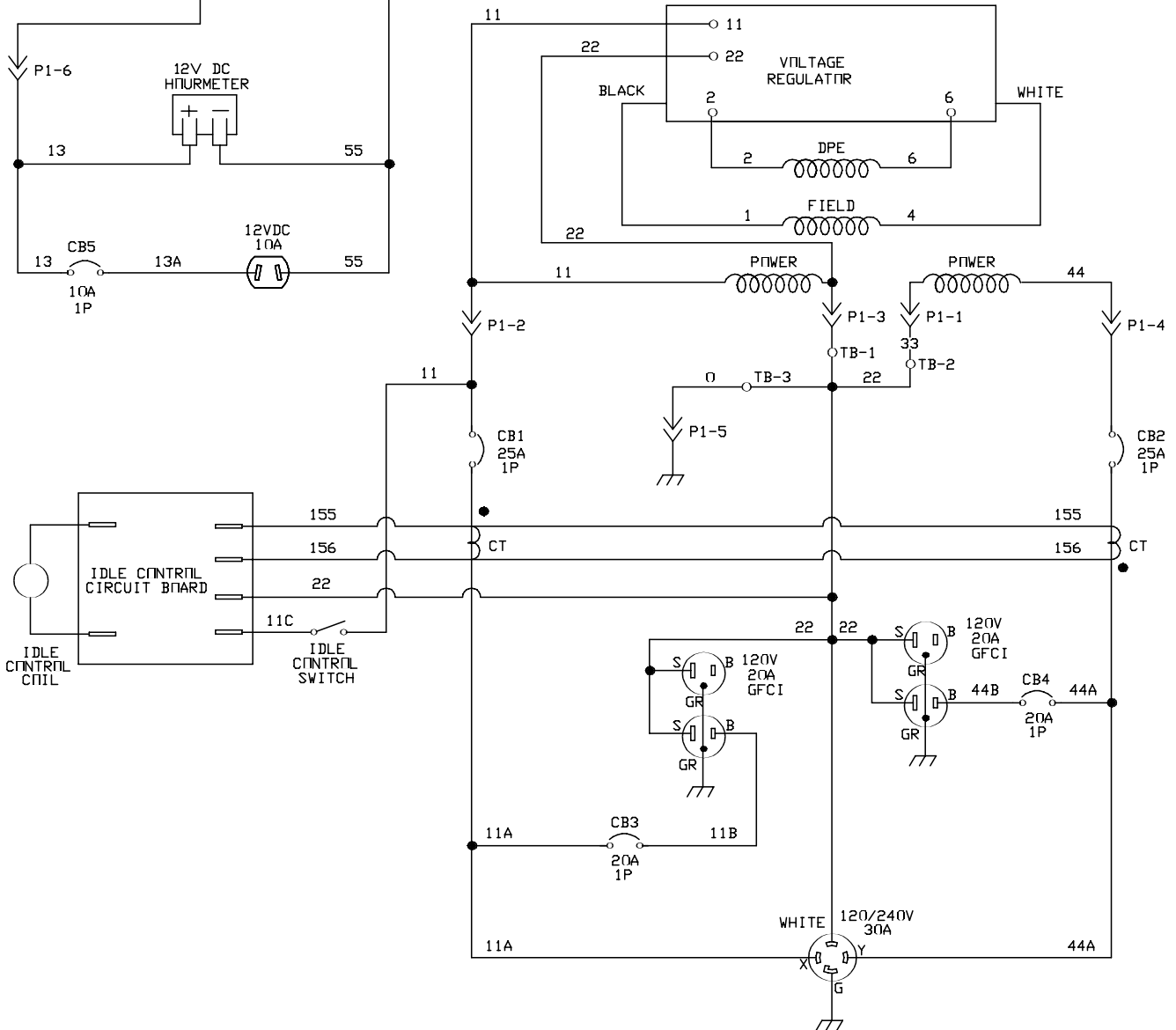


Schematic

SCHEMATIC

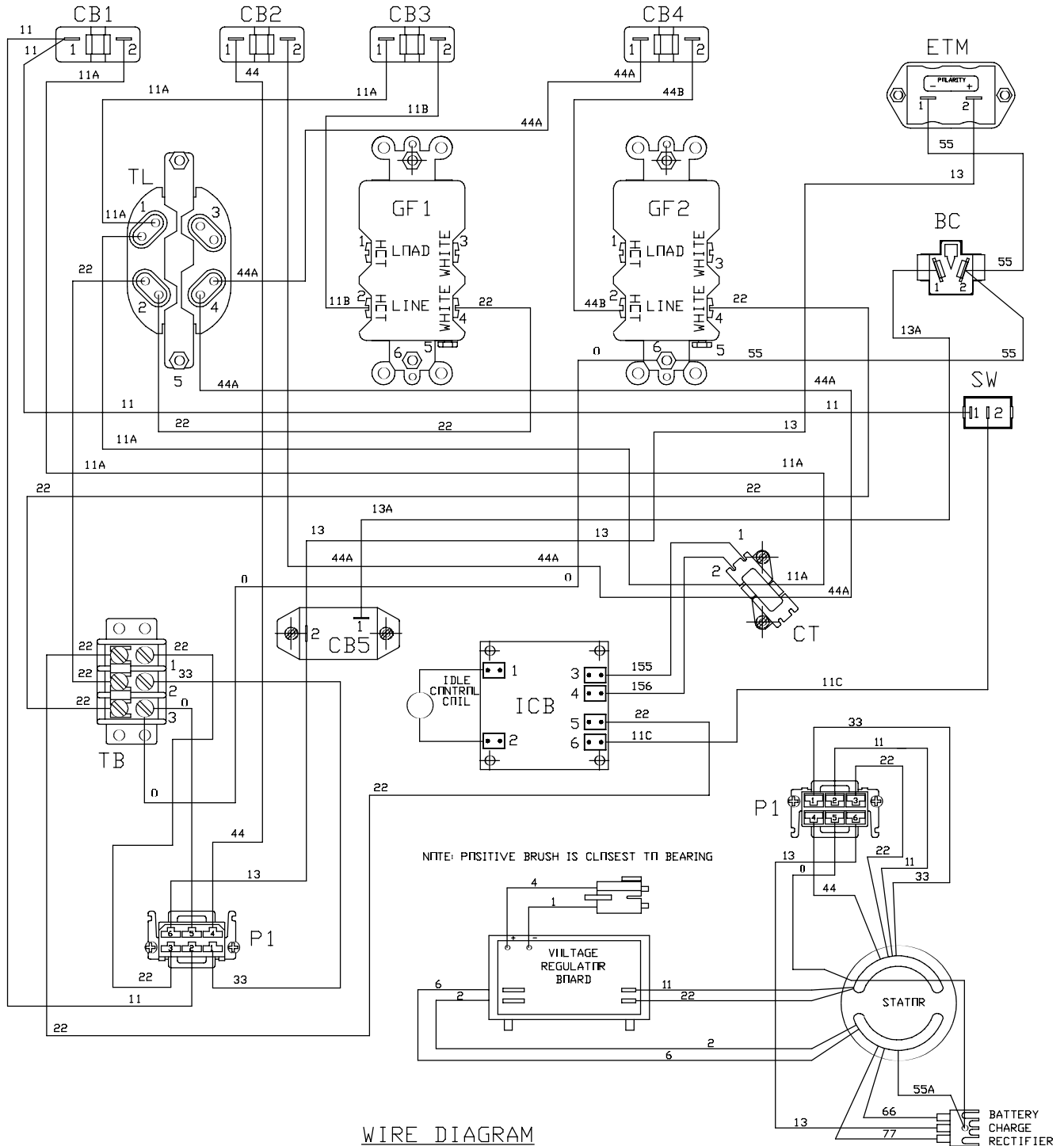


SCHEMATIC



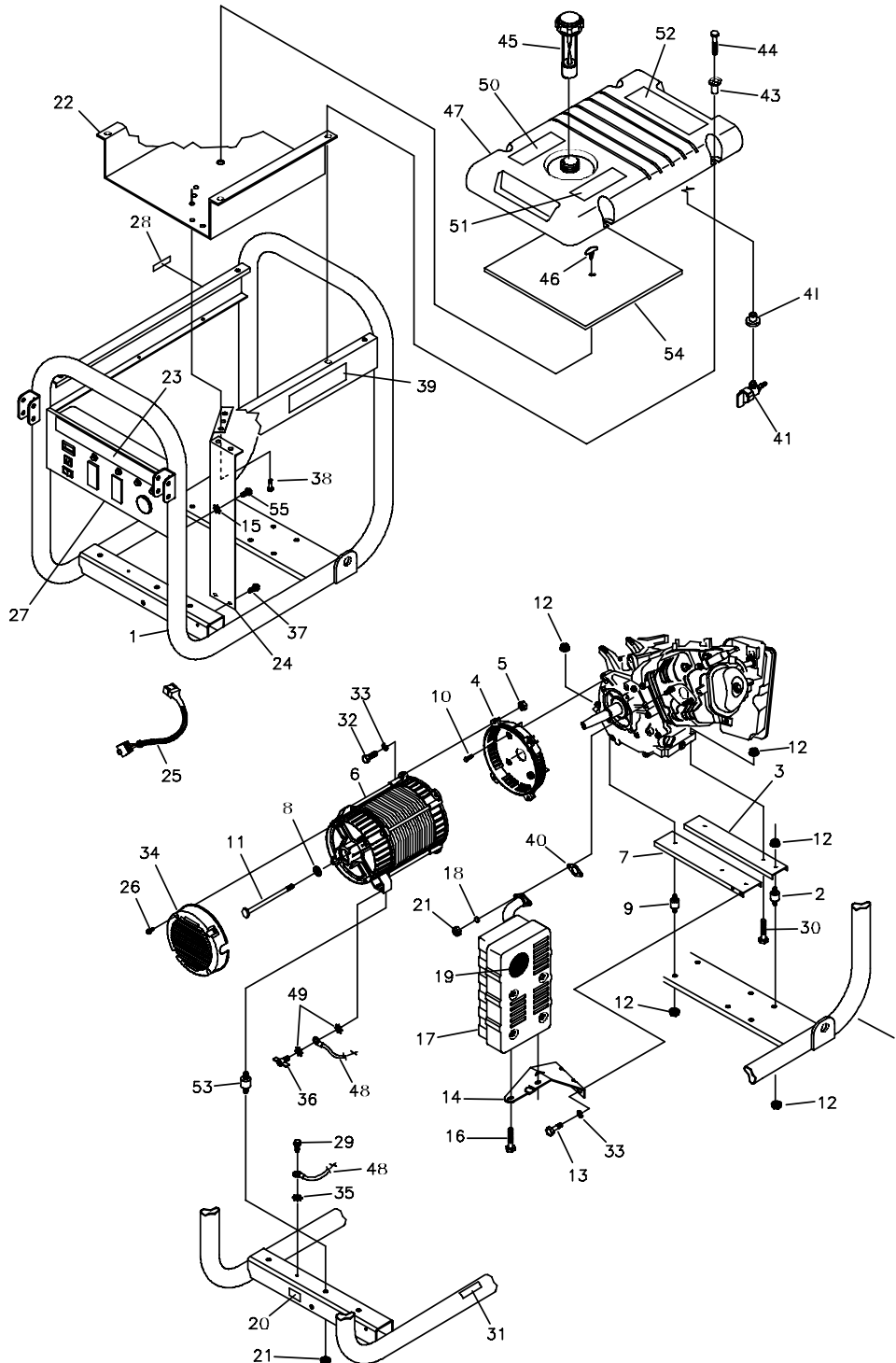
Wiring Diagram

WIRING DIAGRAM



Exploded Views

EXPLODED VIEW – MAIN UNIT



Exploded Views

PARTS LIST – MAIN UNIT

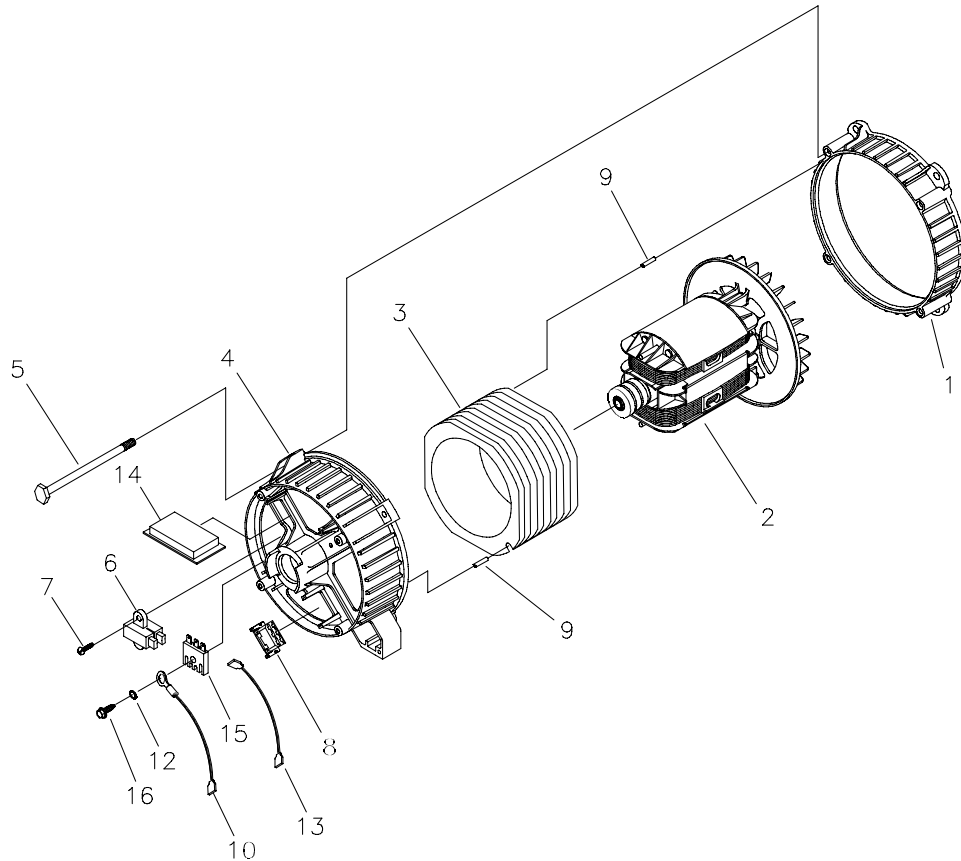
Item Part #	Description	Item Part #	Description
1 N192958AGS	CRADLE	33 22129GS	WASHER, Lock
2 82857GS	MOUNT,Vibration	34 186347GS	COVER, Bearing Carrier
3 N92531GS	SUPPORT, Engine	35 23762GS	WASHER
4 190220GS	HOUSING, Engine Adapter	36 86494GS	SCREW,Wing
5 45771GS	NUT	37 192376GS	SCREW
6 NSP	ASSY,Alternator (see page 22)	38 56893GS	SCREW
7 N92731GS	SUPPORT, Eng/Muffler	39 193057GS	DECAL, Unit
8 96796GS	WASHER	40 NSP	GASKET, Muffler (with Item 900)
9 92609GS	MOUNT,Vibration	41 192980GS	KIT,VLV, FUEL, SRV
10 190274BGS	SCREW	43 83465GS	GROMMET,Tank
11 187365JGS	SCREW	44 78831AGS	SCREW
12 189160GS	NUT	45 B4363GS	CAP, Fuel Gauge
13 22142GS	SCREW	46 85000GS	CLIP, Insulation
14 193048GS	BRACKET, Muffler	47 193500GS	ASSY,Tank, Fuel (Includes Items 41, 50, 51 & 52)
15 23762GS	WASHER	48 14353621GS	WIRE, Ground
16 66476GS	SCREW, w/Lock Washer	49 26850GS	WASHER
17 192569GS	MUFFLER	50 188333GS	DECAL, Instruction, Fuel Level
18 31579GS	SPACER	51 92982GS	DECAL, Danger
19 83083GS	SCREEN, Spark Arrest	52 189274GS	DECAL, Start Instructions
20 B4986GS	DECAL, Ground	53 85652GS	MOUNT,Vibration
21 67989GS	NUT, Flange Serrated	54 92665GS	INSULATION
22 192981GS	SHIELD, Heat	55 B2153GS	SCREW
23 193058GS	DECAL, Panel, Control	900 NSP	ENGINE
24 192983GS	SHIELD, Heat		
25 193157GS	HARNES, Wire, Power		
26 74908GS	SCREW		
27 193049GS	ASSY, Control Panel (see page 23)		
28 191435GS	DECAL, Fuel Shut-off		
29 86292GS	SCREW		
30 22531GS	SCREW		
31 191436GS	DECAL, Hot Muffler		
32 43107GS	SCREW		

Parts Not Illustrated

43438GS	PLUG, 250V 30A, 4 Prong
BB3061BGS	OIL, Bottle
65787GS	CABLE, Battery Charge
B1464GS	MANUAL, Engine
193174GS	MANUAL, Owner's

Exploded Views

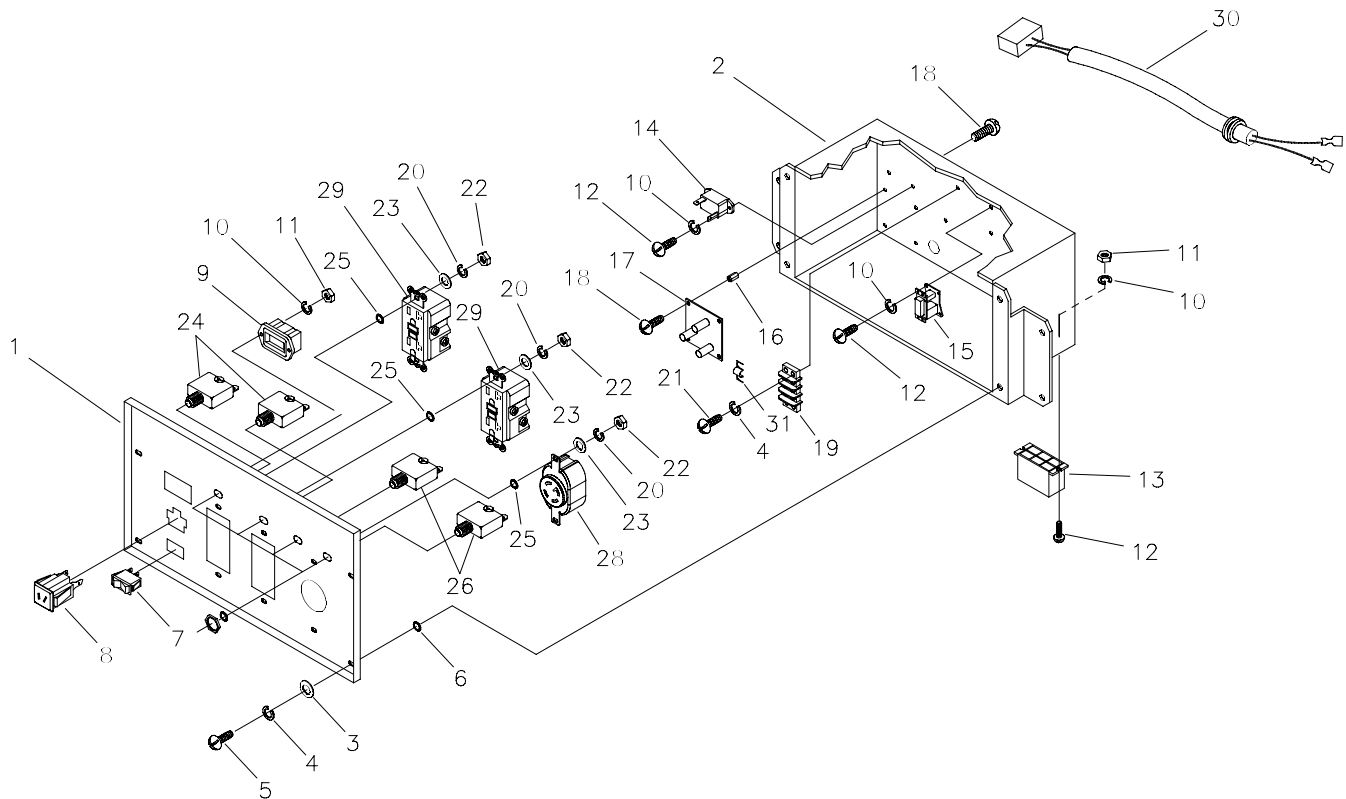
EXPLODED VIEW AND PARTS LIST – ALTERNATOR



Item	Part #	Description
1	186059GS	ADAPTER, Mounting, Alternator
2	192919GS	ROTOR
3	192920AGS	STATOR
4	193336GS	RBC, (with O-Ring, p/n 189197GS)
5	86308HGS	SCREW
6	66386GS	ASSY, Holder, Brush
7	66849GS	SCREW
8	22694GS	RECEPTACLE, 6 pin
9	81917GS	PIN, Roll
10	191051AGS	ASSY, Wire, Ground
12	23762GS	WASHER
13	192403XGS	WIRE, Ground
14	189769GS	REGULATOR, Voltage, AVR
15	65795GS	RECTIFIER
16	66849AGS	SCREW

Exploded Views

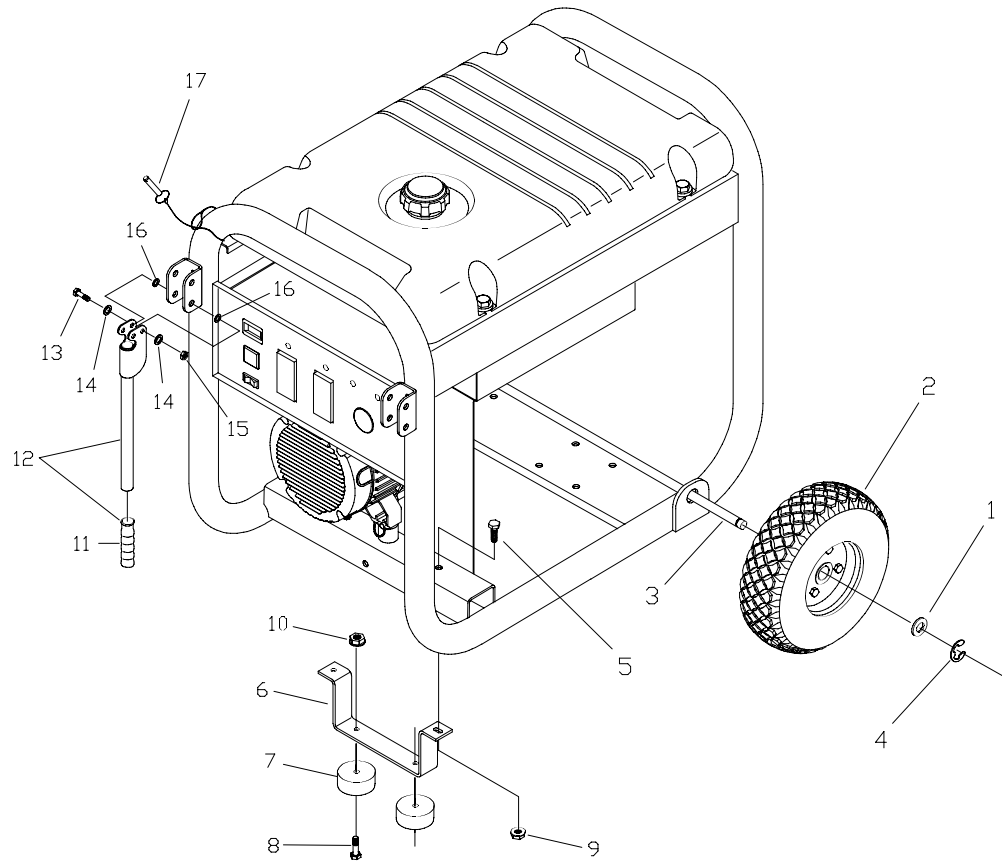
EXPLODED VIEW AND PARTS LIST – CONTROL PANEL



Item	Part #	Description	Item	Part #	Description
1	NSP	PANEL, Control	16	64525GS	STANDOFF, Hex
2	B192836GS	BOX, Control Panel	17	189367GS	PCB, Idle Control
3	23897GS	WASHER	18	64526GS	SCREW
4	49226GS	WASHER, Lock	19	193077GS	STRIP, Terminal
5	91526GS	SCREW	20	22264GS	WASHER, Lock
6	22447GS	WASHER	21	75477GS	SCREW
7	82538GS	SWITCH, Rocker	22	51715GS	NUT
8	90418GS	OUTLET, 12VDC, Snap	23	43180GS	WASHER
9	77604GS	METER, Hour	24	75207GS	BREAKER, Circuit
10	43182GS	WASHER, Lock	25	23365GS	WASHER
11	51714GS	NUT	26	75207PGS	BREAKER, Circuit
12	43181GS	SCREW	27	193095GS	JUMPER, Terminal Block
13	22694GS	HOUSING, Receptacle	28	43437GS	OUTLET, 120/240V, 30A
14	87962GS	BREAKER, Circuit	29	80409GS	OUTLET, 120V, 20A, Duplex. GFCI
15	84028GS	TRANSFORMER, Idle Cnt	30	189502GS	HARNESS, Wire

Exploded Views

EXPLODED VIEW AND PARTS LIST – WHEEL KIT



Item	Part #	Description
1	22247GS	WASHER
2	B4966GS	WHEEL
3	191267KGS	AXLE
4	191265GS	E-RING
5	39253GS	SCREW
6	B89595GS	BRACKET, Support, Unit
7	87841GS	MOUNT, Vibe Donut Type
8	22287GS	SCREW
9	67989GS	NUT
10	B2071GS	NUT, Lock
11	B4605GS	GRIP, Handle
12	B187113GS	ASSY, Handle (Includes Item 11)
13	39287GS	SCREW
14	22145GS	WASHER
15	49820GS	NUT, Nylok
16	187104GS	WASHER, Nylon
17	B4135GS	PIN, with Lanyard