



Illustrated
Parts List

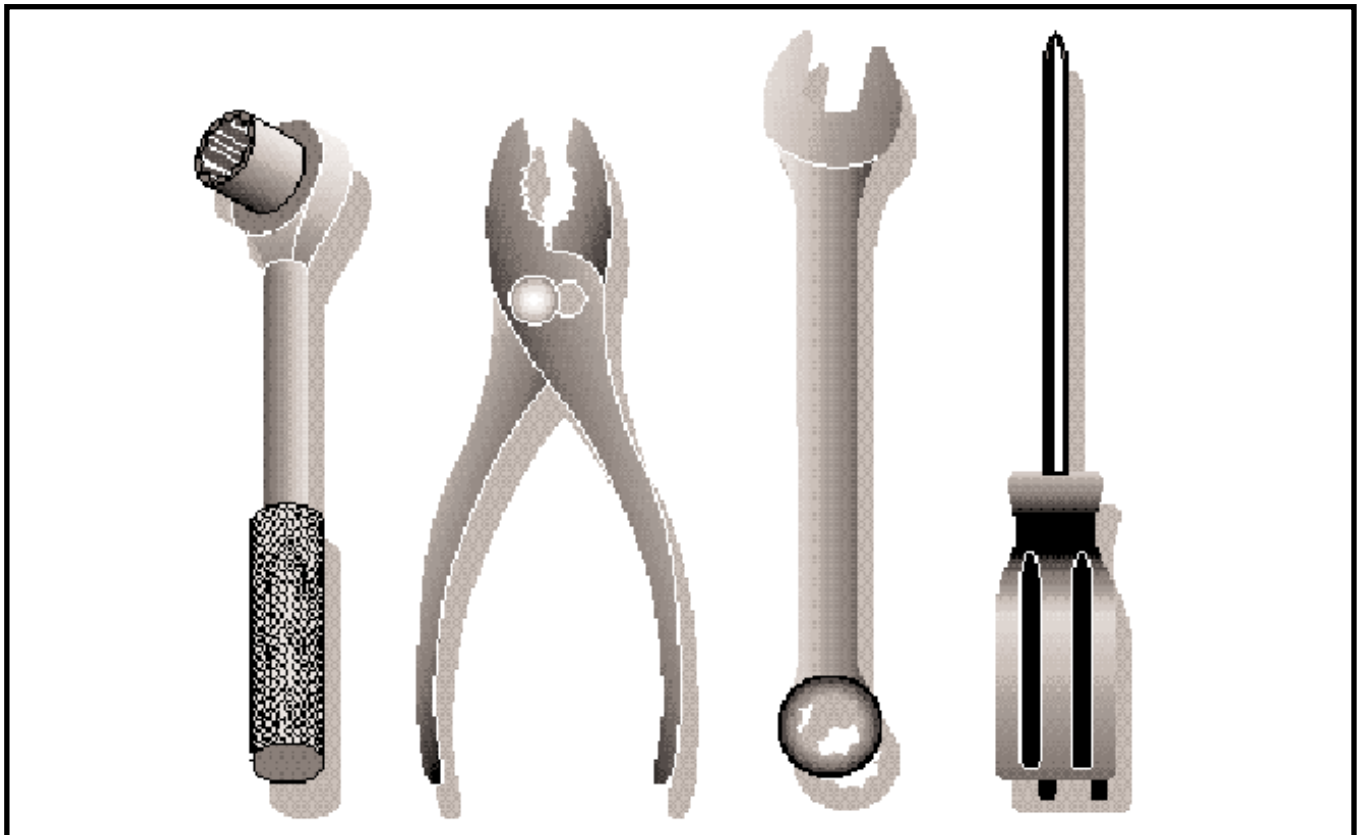
2004-04

10402031

Ride Mower

YTH2148 D

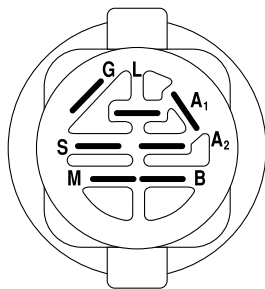
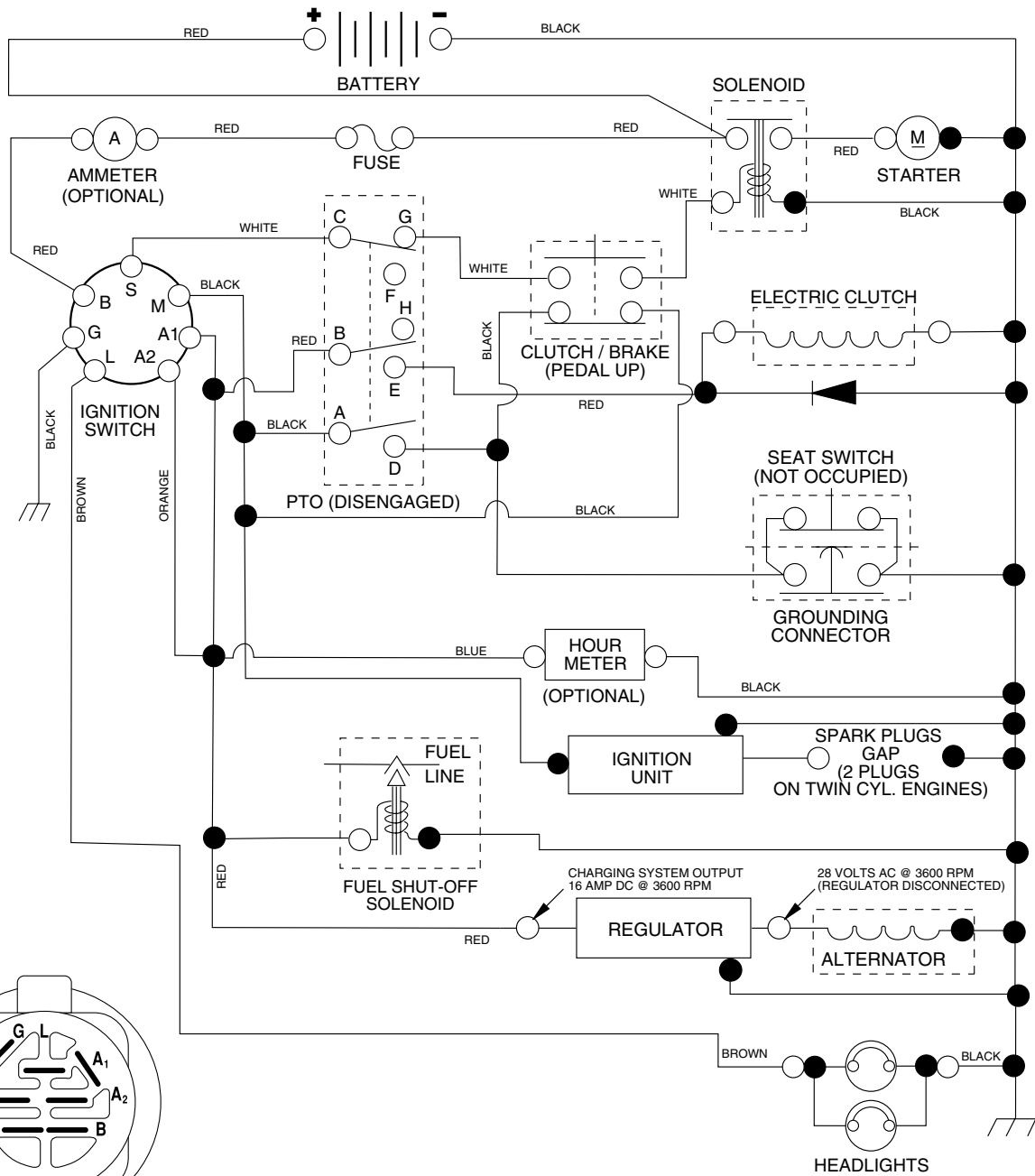
954571960



Repair Parts Manual

For Husqvarna Parts Call 606-678-9623 or 606-561-4983

For Husqvarna Parts Call 606-678-9623 or 606-561-4983
TRACTOR - MODEL NO. YTH2148 (YTH2148D), PRODUCT NO. 954 57 19-60
SCHEMATIC



IGNITION SWITCH

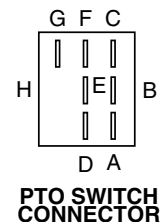
POSITION	CIRCUIT	"MAKE"
OFF	M + G + A1	NONE
ON + LIGHTS	B + A1	L + A2
ON	B + A1	NONE
START	B + S + A1	NONE

WIRING INSULATED CLIPS
NOTE: IF WIRING INSULATED CLIPS WERE REMOVED FOR SERVICING OF UNIT, THEY SHOULD BE REPLACED TO PROPERLY SECURE YOUR WIRING.

02757

PTO SWITCH

POSITION	CIRCUIT
OFF	C + G, B + H
ON	C + F, B + E, A + D



REPAIR PARTS

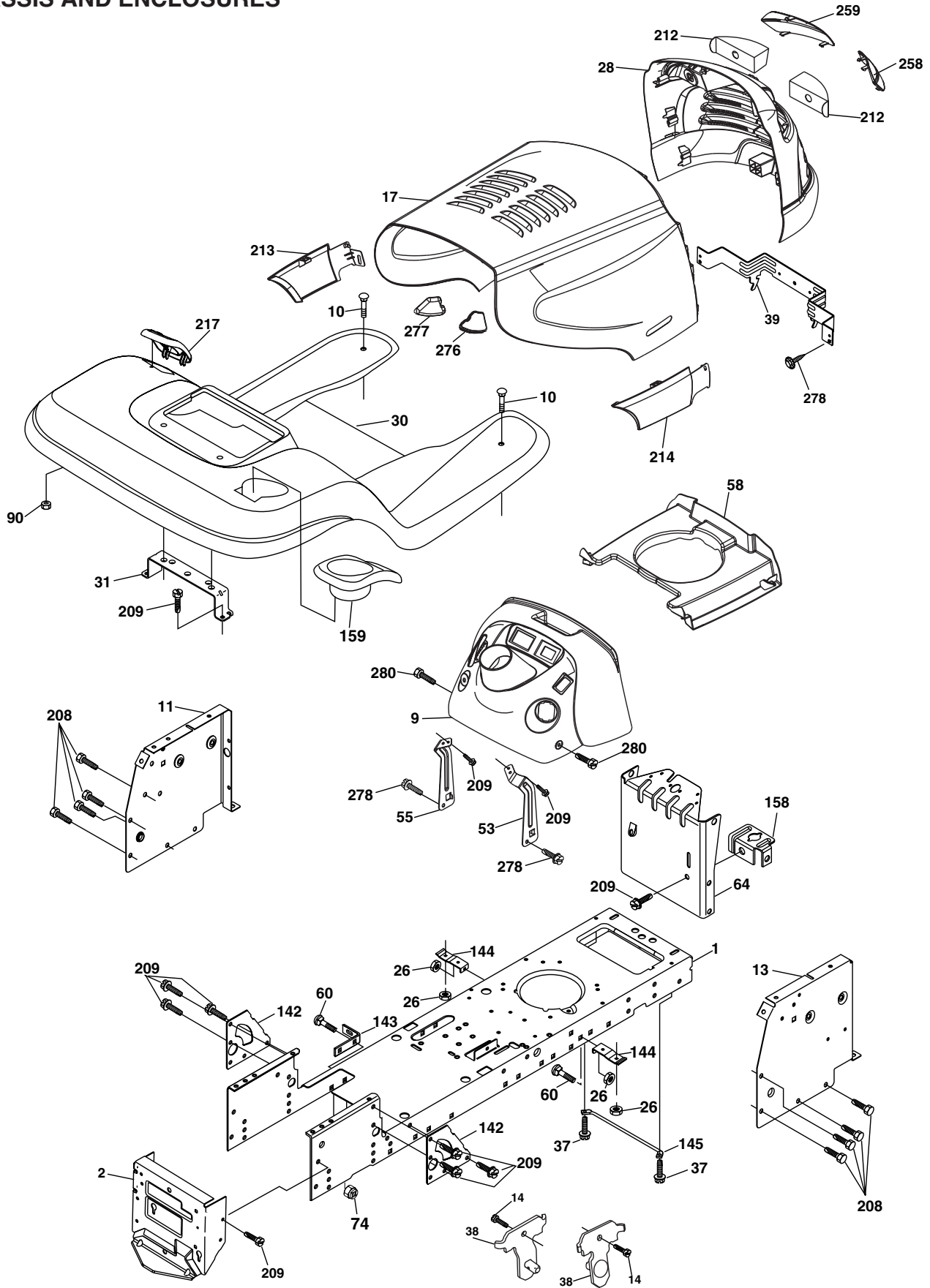
TRACTOR - MODEL NO. YTH2148 (YTH2148D), PRODUCT NO. 954 57 19-60
ELECTRICAL

KEY NO.	PART NO.	DESCRIPTION
1	532 14 49-27	Battery
2	874 76 04-12	Bolt Hex Hd 1/4-20 unc x 3/4
8	532 18 64-91	Battery Tray
10	532 14 52-11	Bolt 1/4-20 x 7.5
11	532 15 01-09	Holddown Battery Front Mount
12	532 14 57-69	Nut Push Nylon 1/4"
16	532 17 61-38	Switch Interlock Push-In
21	532 18 37-59	Harness Asm Light W/4152j
22	532 00 41-52	Bulb Light #1156
24	532 12 47-80	Cable Battery 6 Ga. 11" red
25	532 14 61-48	Cable Battery 6 Ga. 22" red w/16 wire
26	532 17 51-58	Fuse 20 AMP
27	873 51 04-00	Nut Keps Hex 1/4-20 unc
28	532 14 54-91	Cable Ground black
29	532 12 13-05	Switch Plunger Nc Gray
30	532 17 55-66	Switch Ign
33	532 14 04-01	Key Ign Molded Generic
40	532 18 80-24	Harness Ign.
41	871 11 04-08	Bolt Blk Fin Hex 1/4 - 20 x 1/2
42	532 13 15-63	Cover Terminal Red
43	532 17 88-61	Solenoid
45	532 12 28-22	Ammeter
46	532 16 96-35	Hourmeter Snap-In
50	532 17 46-51	Switch PTO
55	817 49 05-08	Screw 5/16-18 x 1/2
89	532 16 96-39	Bracket Snap-In Hourmeter
90	532 18 04-49	Cover Terminal
91	532 19 02-70	Strap Battery Mount Front

NOTE: All component dimensions given in U.S. inches.
1 inch = 25.4 mm.

REPAIR PARTS

TRACTOR - MODEL NO. YTH2148 (YTH2148D), PRODUCT NO. 954 57 19-60
CHASSIS AND ENCLOSURES



chassis_elite husqy_4

REPAIR PARTS

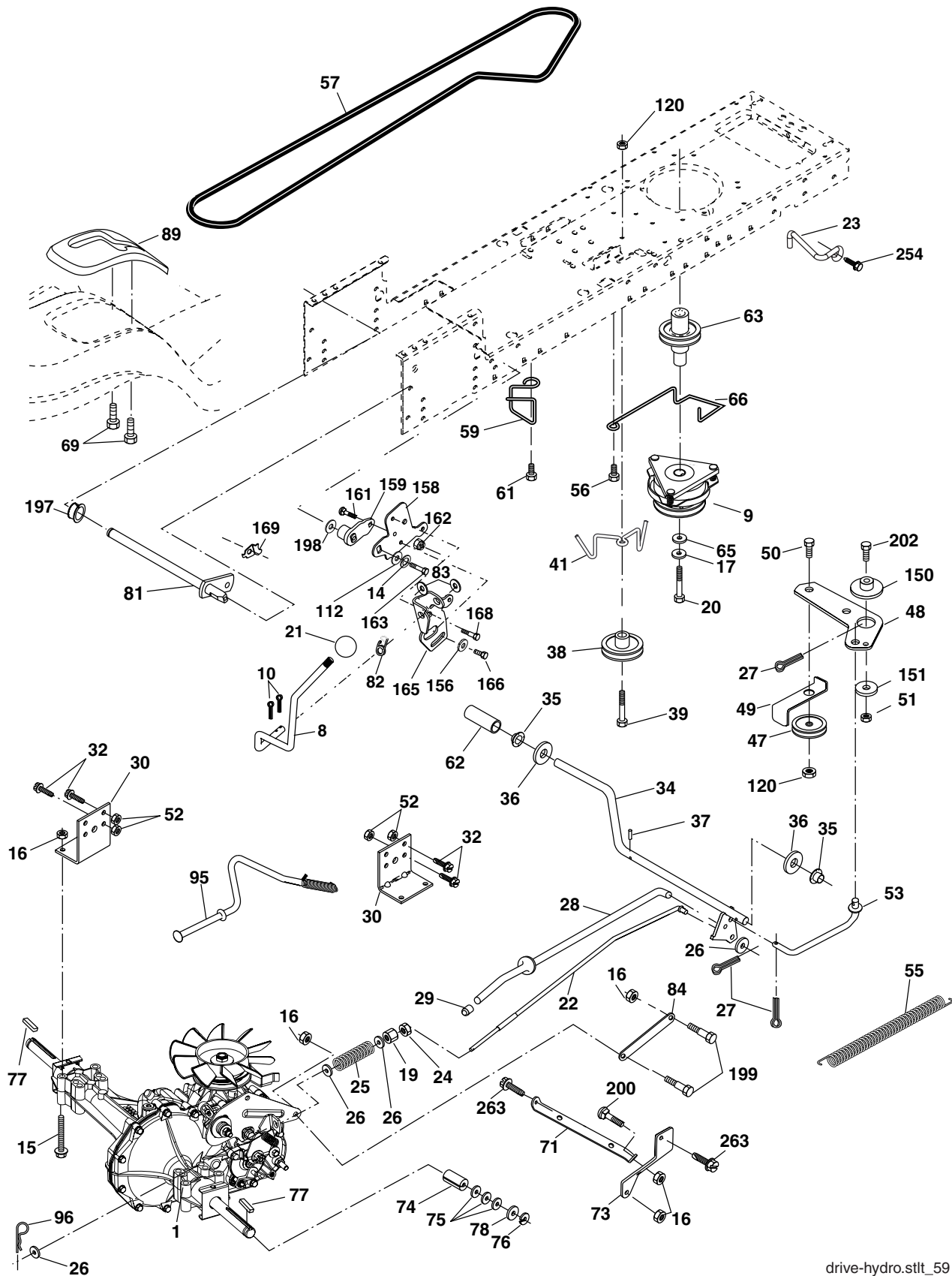
TRACTOR - MODEL NO. YTH2148 (YTH2148D), PRODUCT NO. 954 57 19-60
CHASSIS AND ENCLOSURES

KEY NO.	PART NO.	DESCRIPTION
1	532 17 46-19	Chassis Stamping
2	532 17 65-54	Drawbar
9	532 19 02-51	Dash P/L M
10	872 14 06-08	Bolt Carriage 3/8-16 x 1
11	532 17 49-96	Panel Dash Lh
13	532 18 17-19	Panel Dash Rh
14	817 49 06-08	Screw Thdrol 3/8-16 x 1/2
17	532 18 99-77	Hood
26	873 80 06-00	Nut Lock Hex W/Ins 3/8-16 unc
28	532 18 82-69	Grille/Lens Asm.
30	532 19 18-15	Fender Footrest STLT Pnt
31	532 13 99-76	Bracket Support Fender
37	817 49 05-08	Screw Thdrol 5/16-18 x 1/2 TYT
38	532 17 57-10	Bracket Asm Pivot Mower Rear
39	532 17 47-14	Bracket Pivot
53	532 18 83-72	Bracket Dash RH
55	532 18 83-73	Bracket Dash LH
58	532 18 93-52	Air Duct Engine
60	872 14 06-06	Bolt Rdhd Sqnk 3/8-16 unc x 3/4
64	532 17 49-97	Dash Lower STLT
74	873 68 06-00	Nut Crownlock 3/8-16 unc
90	532 12 43-46	Nut Self-thd Wsh-Hd 1/4
142	532 17 57-02	Plate Reinforcement STLT
143	532 18 66-89	Bracket Swaybar Chassis
144	532 17 55-82	Bracket Pnt Footrest STLT
145	532 15 65-24	Rod Pivot Chassis/Hood
158	532 16 20-37	Bracket Parking Brake
159	532 19 24-02	Cupholder
208	817 67 06-08	Screw Thdrol 3/8-16 x 1/2 TYT BI
209	817 00 06-12	Screw 3/8-16 x 3/4
212	532 18 82-67	Insert Lens Reflect
213	532 18 99-79	Skirt Side LH
214	532 18 99-78	Skirt Side RH
217	532 18 54-36	Console Fuel Window
258	532 18 99-81	Lens RH
259	532 18 99-82	Lens LH
276	532 18 92-74	Bumper Hood RH
277	532 18 92-75	Bumper Hood LH
278	532 19 16-11	Screw 10 x 3/4 Single Lead Hex
280	817 00 06-16	Screw 3/18-16 x 1

NOTE: All component dimensions given in U.S. inches
1 inch = 25.4 mm

REPAIR PARTS

TRACTOR - MODEL NO. YTH2148 (YTH2148D), PRODUCT NO. 954 57 19-60
DRIVE



drive-hydro.stlt_59

REPAIR PARTS

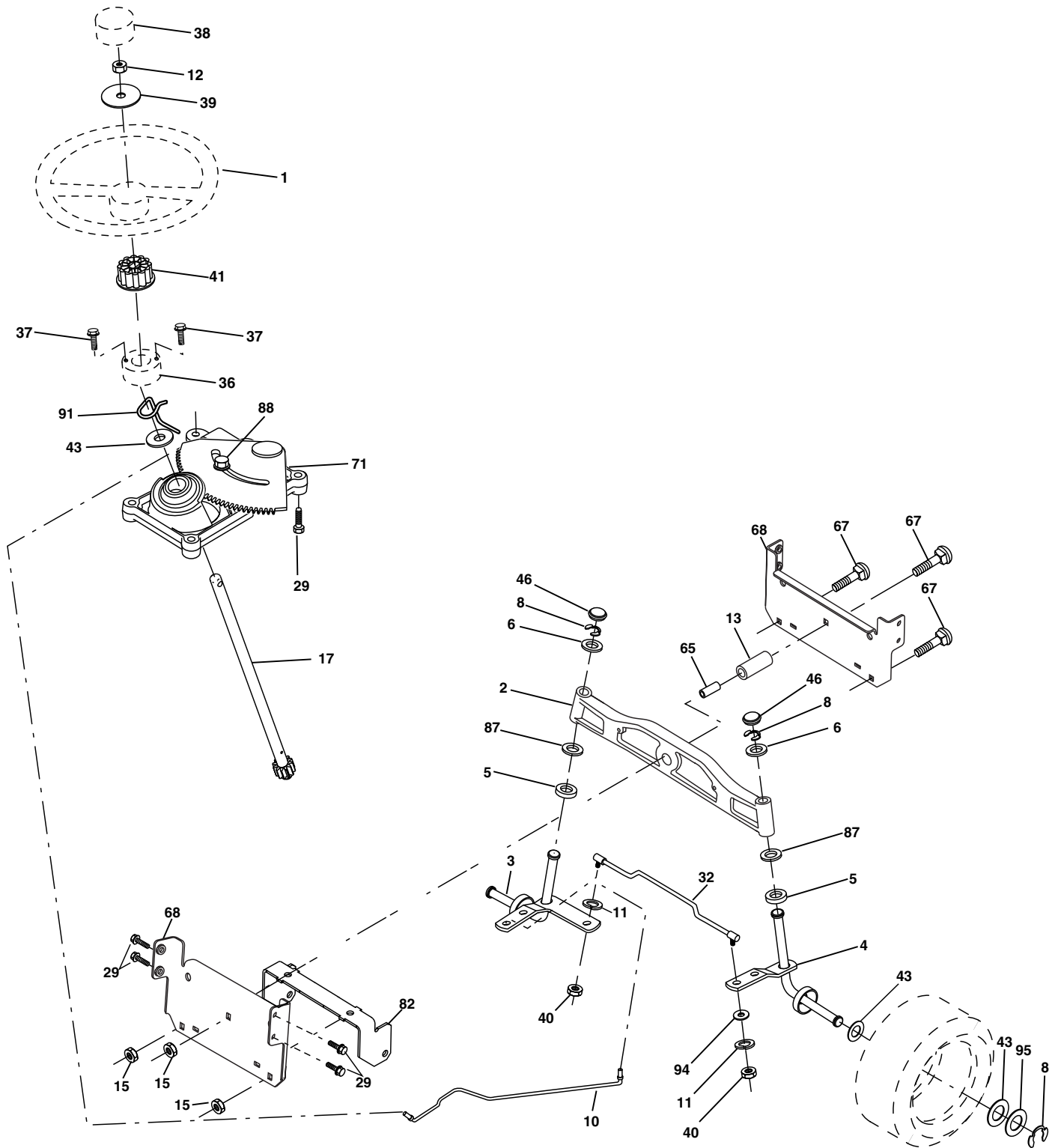
**TRACTOR - MODEL NO. YTH2148 (YTH2148D), PRODUCT NO. 954 57 19-60
DRIVE**

KEY NO.	PART NO.	DESCRIPTION	KEY NO.	PART NO.	DESCRIPTION
1	-----	Transaxle, Hydro Gear 314-0510 (Order Parts From Transaxle Manufacturer)	62	532 12 48-72	Cover, Pedal
8	532 16 58-66	Rod Shift Fender	63	532 17 54-17	Pulley, Engine
9	532 17 43-67	Clutch Electric	65	810 04 07-00	Washer
10	876 02 04-16	Pin Cotter 1/8 x 1 CAD	66	532 15 47-78	Keeper Belt Engine Hydro
14	810 04 04-00	Washer Lock Hvy Helical	69	532 14 24-32	Screw Hex Wsh Hi-Lo 1/4-1/2
15	874 49 05-44	Bolt Hex Flghd 5/16-18 Gr. 5	71	532 16 91-83	Strap Torque Lh Hydro
16	873 80 05-00	Nut Lock Hex W/Ins. 5/16-18 unc	73	532 16 91-82	Strap Torque Rh Hydro
17	532 12 61-97	Washer 1-1/2 OD x 15/32 ID x .250	74	532 13 70-57	Spacer, Axle
19	873 80 06-00	Nut Lock Hex W/Wsh 3/8-16 unc	75	532 12 17-49	Washer 25/32 x 1-1/4 x 16 Ga.
20	532 17 39-37	Bolt, Hex 7/16-20 x Gr. 5-1.5	76	812 00 00-01	E-Ring
21	532 14 08-45	Knob	77	532 12 35-83	Key, Square
22	532 16 94-98	Rod, Brake Hydro	78	532 12 17-48	Washer 25/32 x 1-5/8 x 16 Ga.
23	532 19 07-36	Bracket Asm. Anti-Rot	81	532 16 55-96	Shaft Asm. Cross Hydro
24	873 35 06-00	Locknut	82	532 16 57-11	Spring Torsion T/A
25	532 10 68-88	Spring, Brake Rod	83	819 17 12-16	Washer 17/32 x 3/4 x 16 Ga.
26	819 13 13-16	Washer	84	532 16 95-94	Link Transaxle
27	876 02 04-12	Pin Cotter 1/8 x 3/4 CAD.	89	532 19 18-16	Console, Shift
28	532 17 57-65	Rod, Parking Brake	95	532 17 02-01	Control Asm. Bypass Hydro
29	532 07 16-73	Cap, Parking Brake	96	532 12 47-88	Retainer Spring 1" Zinc/Cad
30	532 16 95-92	Bracket, Transaxle	112	819 09 12-10	Washer 9/32 x 3/4 x 10 Ga.
32	874 76 05-12	Bolt Hex Hd 5/16-18 unc x 3/4	120	873 90 06-00	Nut Lock 3/8-16
34	532 17 55-78	Shaft, Foot Pedal Nibbed	150	532 17 54-56	Spacer Retainer
35	532 12 01-83	Bearing, Nylon	151	819 13 32-10	Washer 13/32 x 2 x 10 Ga.
36	819 21 16-16	Washer	156	532 16 60-02	Washer Srrted 5/16 ID x 1.125
37	532 12 49-63	Pin, Roll	158	532 16 55-89	Bracket Shift Mount
38	532 17 91-14	Pulley, Idler, Flat Composite	159	532 18 39-00	Hub Shift
39	872 11 06-22	Bolt 3/8-16 x 2-3/4 Gr. 5	161	872 14 04-06	Bolt Rdhd Sqnk 1/4-20 x 3/4 Gr. 5
41	532 17 55-56	Keeper, Belt Idler Fool-Proof	162	873 68 04-00	Nut Crownlock 1/4-20 unc
47	532 12 77-83	Pulley, Idler, V-Groove	163	874 78 04-16	Bolt Hex Fin 1/4-20 unc x 1 Gr. 5
48	532 15 44-07	Bellcrank Clutch Grnd Drv Stl	165	532 16 56-23	Bracket Pivot Lever
49	532 12 32-05	Retainer, Belt	166	817 49 05-10	Screw 5/16-18 x 5/8
50	872 11 06-12	Bolt Carr. SH 3/8-16 x 1-1/2 Gr. 5	168	532 16 54-92	Bolt Shoulder 5/16-18 x .561
51	873 68 06-00	Nut	169	532 16 55-80	Plate Fastening Lt
52	873 68 05-00	Nut Crown Lock 5/16-18	197	532 16 96-13	Nyliner Snap-In 5/8" ID
53	532 10 57-10	Link, Clutch	198	532 16 95-93	Washer Nyliner 7/8 ID x .105
55	532 10 57-09	Spring, Return, Clutch	199	532 16 96-12	Bolt Shoulder 5/16-18 unc
56	817 06 06-20	Screw 3/8-16 x 1-1/4	200	872 14 05-08	Bolt Rdhd Sq Neck 5/16-18 unc x 1
57	532 14 02-94	V-Belt, Ground Drive	202	872 11 06-14	Bolt 3/8-16 x 1-3/4 Gr. 5
59	532 16 96-91	Keeper, Center Span	254	817 00 06-16	Screw 3/8-16 x 1
61	817 12 06-14	Screw 3/8-16 x .875	263	817 00 06-12	Screw Hexwsh Thdr 3/8-16 x 3/4

NOTE:All component dimensions give in U.S. inches.
1 inch = 25.4 mm.

REPAIR PARTS

TRACTOR - MODEL NO. YTH2148 (YTH2148D), PRODUCT NO. 954 57 19-60
STEERING ASSEMBLY



steering_pl.lt_54

REPAIR PARTS

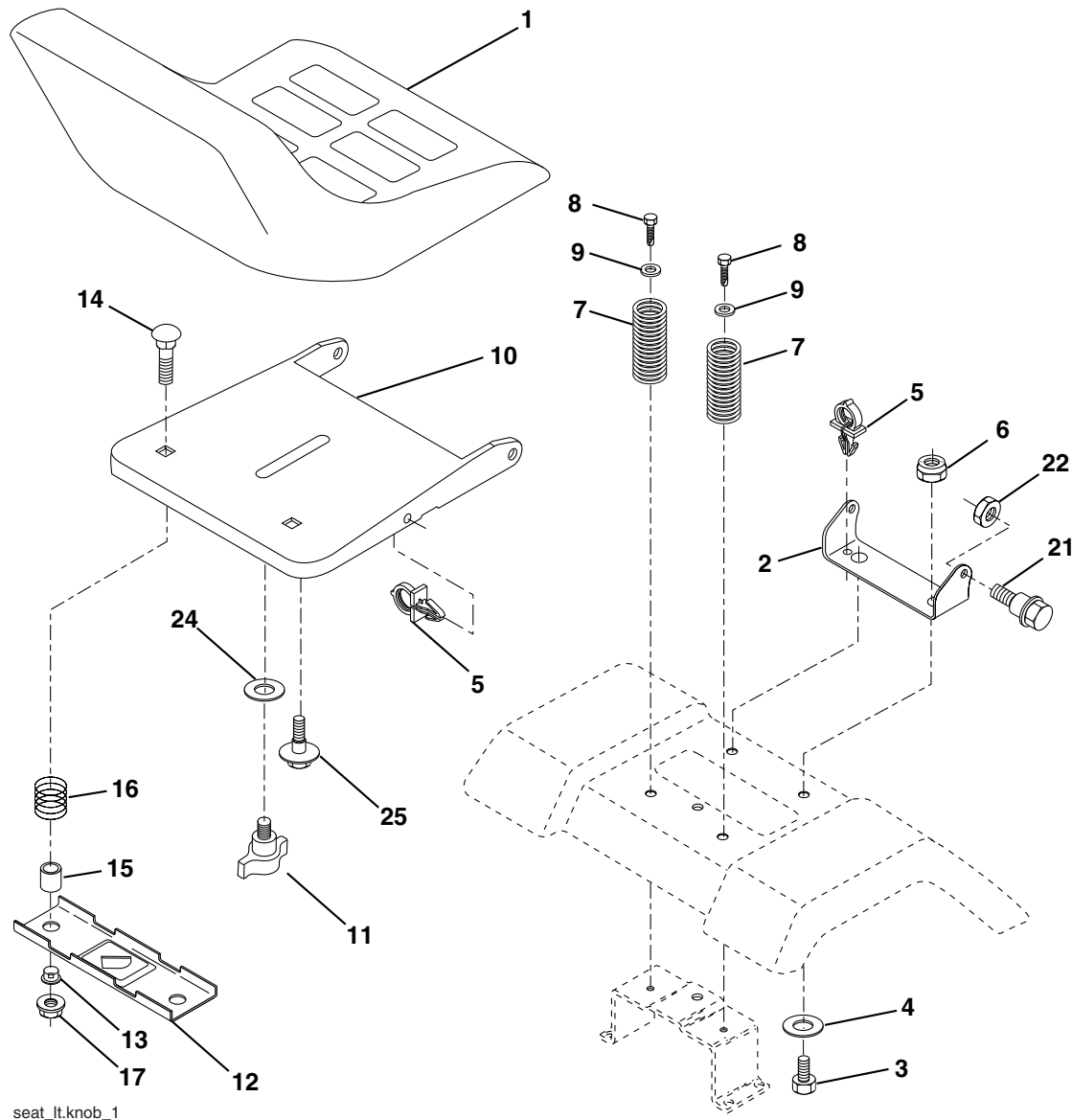
TRACTOR - MODEL NO. YTH2148 (YTH2148D), PRODUCT NO. 954 57 19-60
STEERING ASSEMBLY

KEY NO.	PART NO.	DESCRIPTION
1	532 16 66-27	Wheel Steering
2	532 18 47-06	Axle
3	532 16 98-40	Spindle Asm LH
4	532 16 98-39	Spindle Asm RH
5	532 12 49-31	Bearing Race Thrust Harden
6	532 12 17-48	Washer 25/32 x 1-5/8 x 16 Ga.
8	812 00 00-29	Ring Klip #t5304-75
10	532 17 51-21	Link Drag
11	810 04 06-00	Washer Lock Hvy Hlcl Spr 3/8
12	873 94 08-00	Nut Hex Jam Toplock 1/2-20 unf
13	532 13 65-18	Spacer Brg Axle Front
15	532 14 52-12	Nut Hex Flange Lock
17	532 17 78-83	Shaft Asm Strg
29	817 00 06-12	Screw 3/8-16 x 3/4
32	532 18 05-80	Rod Tie
34	810 04 05-00	Washer Lock Hvy Helical 5/16
36	532 15 51-05	Bushing Strg
37	532 15 29-27	Screw
38	532 16 66-26	Insert Cap Strg Wh
39	819 18 38-12	Washer 9/16 x 2-3/8 12 Ga.
40	873 54 06-00	Nut Crownlock 3/8-24
41	532 15 99-45	Adaptor Wheel Strg
43	532 12 17-49	Washer 25/32 x 1 1/4 x 16 Ga.
46	532 12 12-32	Cap Spindle Fr Top Blk
65	532 16 03-67	Spacer Brace Axle
67	872 11 06-18	Bolt Rdhd Sq 3/8-16 x 2-1/4
68	532 16 98-27	Axle, Brace
71	532 17 51-46	Steering Asm
82	532 16 98-35	Bracket Susp Chassis Front
87	532 17 39-66	Washer Flat .781 x 1-1/2 x .14
88	532 17 51-18	Bolt Shoulder 7/16-20
91	532 17 55-53	Clip Steering
94	819 12 14-14	Washer 3/8 x 7/8 x 14 Ga.
95	532 18 89-67	Washer Hardened

NOTE: All component dimensions given in U.S. inches.
1 inch = 25.4 mm.

REPAIR PARTS

TRACTOR - MODEL NO. YTH2148 (YTH2148D), PRODUCT NO. 954 57 19-60
SEAT ASSEMBLY



seat_lt.knob_1

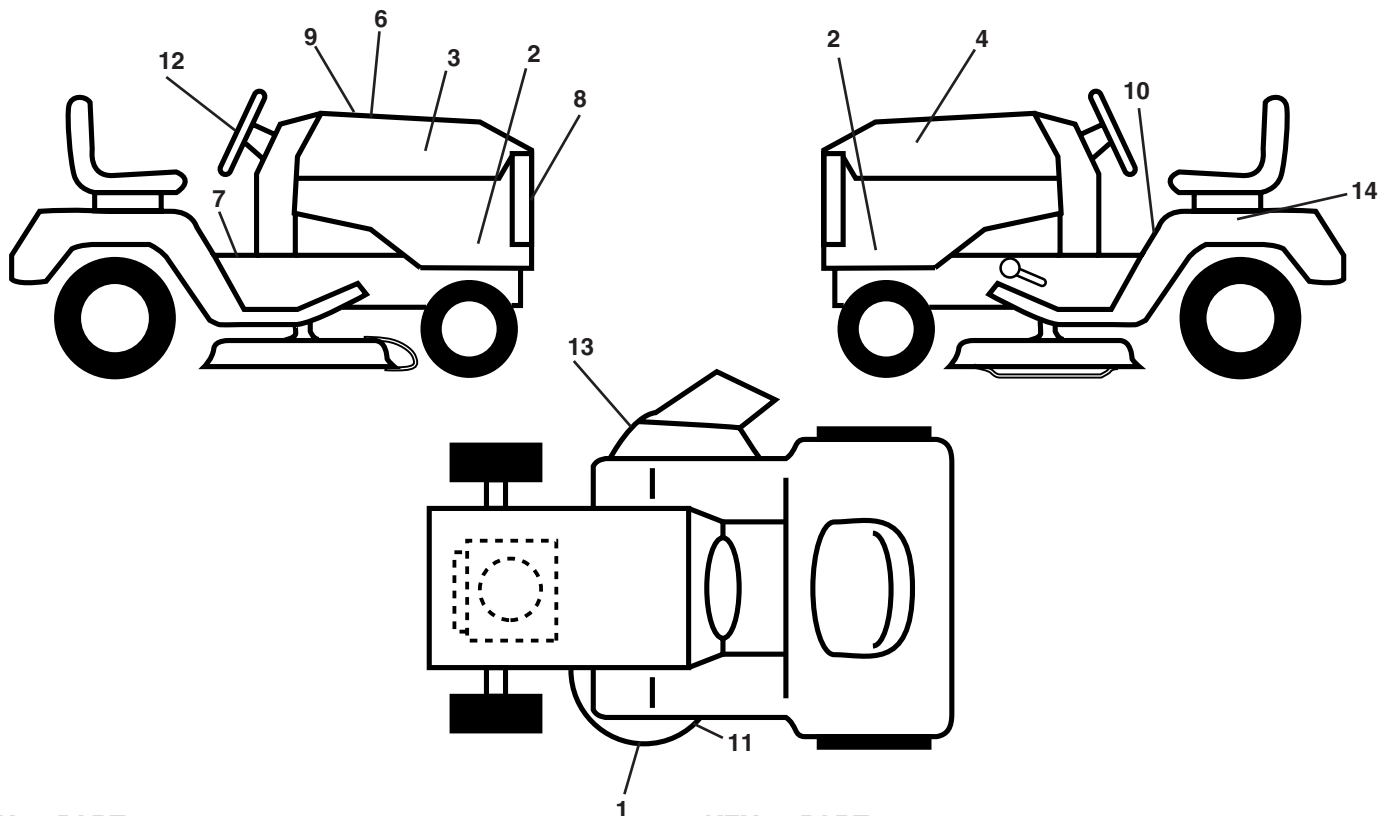
KEY NO.	PART NO.	DESCRIPTION
1	532 18 87-15	Seat
2	532 14 05-51	Bracket Pivot Seat 8 720
3	871 11 06-16	Bolt Fin Hex 3/8-16 unc x 1
4	819 13 16-10	Washer 13/32 x 1 x 10 Ga.
5	532 14 50-06	Clip Push-In
6	873 80 06-00	Nut Hex w/Ins. 3/8-16 unc
7	532 12 41-81	Spring Seat Cprsn 2 250 Blk Zi
8	817 00 06-16	Screw 3/8-16 x 1-1/2 Smgml Tap/R Z
9	819 13 16-14	Washer 13/32 x 1 x 14 Ga.
10	532 18 24-93	Pan Seat
11	532 16 63-69	Knob Seat Adj. Wingnut

KEY NO.	PART NO.	DESCRIPTION
12	532 12 12-46	Bracket Mounting Switch
13	532 12 12-48	Bushing Snap Blk Nyl 50 Id
14	872 05 04-12	Bolt Rdhd Sqnk 1/4-2 x 1-1/2
15	532 12 17-49	Spacer
16	532 12 37-40	Spring Cprsn
17	532 12 39-76	Nut Lock 1/4 Lge Flg Gr. 5 Zinc
21	532 17 18-52	Bolt Shoulder 5/16-18 unc-2a Blk DA
22	873 80 05-00	Nut Hex Lock W/Ins 5/16-18
24	819 17 19-12	Washer 17/32 x 13/16 x 12 Ga.
25	532 12 70-18	Bolt Shoulder 5/16-18 x 62

NOTE: All component dimensions given in U.S. inches.
1 inch = 25.4 mm

REPAIR PARTS

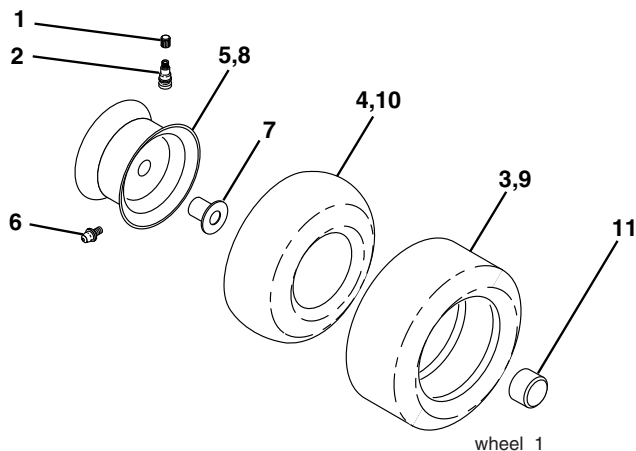
TRACTOR - MODEL NO. YTH2148 (YTH2148D), PRODUCT NO. 954 57 19-60
DECALS



KEY NO.	PART NO.	DESCRIPTION
1	532 17 84-82	Decal Deck Hvy Duty
2	532 19 22-01	Decal Panel Side
3	532 18 89-18	Decal Hood RH
4	532 18 89-19	Decal Hood LH
6	532 18 09-41	Decal Hood Cust. Resp.
7	532 15 70-32	Decal Operator
8	532 18 92-43	Decal Dash
9	532 19 23-76	Decal Replacement
10	532 15 71-40	Decal Fender Danger

KEY NO.	PART NO.	DESCRIPTION
11	532 17 52-91	Decal V-Belt Sch.
12	532 18 89-25	Decal Wheel Steering
13	532 17 05-63	Decal Warning
14	532 14 50-05	Decal Bat Dan/Psn
--	532 16 69-60	Decal By-Pass
--	532 18 82-52	Pad Footrest LH STLT
--	532 18 82-53	Pad Footrest RH STLT
--	532 13 83-11	Decal Handle Lft Height Adjust
--	532 19 26-50	Manual Owner's (English)

WHEELS & TIRES

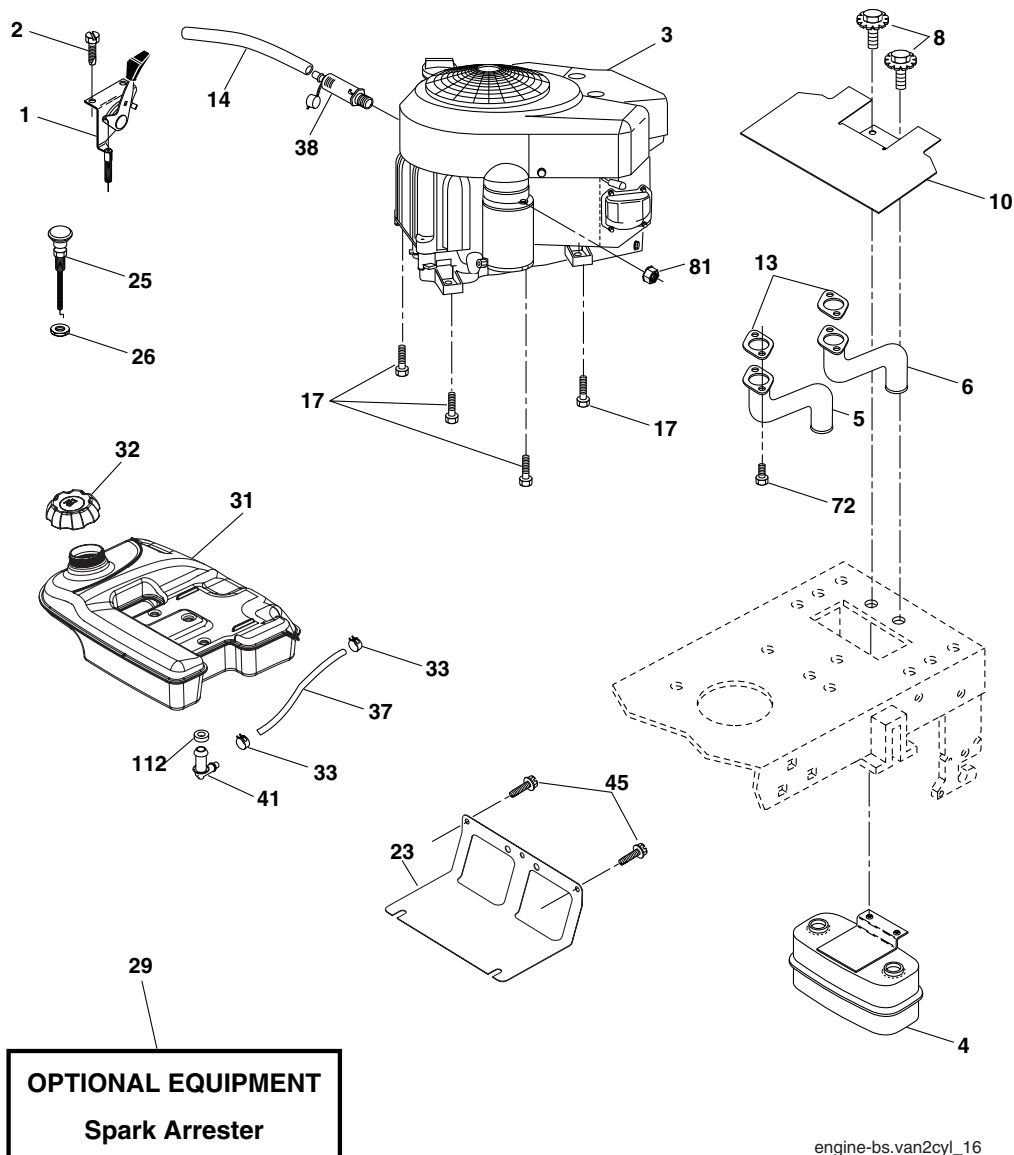


KEY NO.	PART NO.	DESCRIPTION
1	532 05 91-92	Cap Valve Tire
2	532 06 51-39	Stem Valve
3	532 10 62-22	Tire F Ts 15 x 6 0 - 6 Service
4	532 05 99-04	Tube Front (Service Item Only)
5	532 13 83-36	Rim Asm 6" front Silver Service
6	532 12 49-57	Fitting Grease (Front Wheel Only)
7	532 12 49-59	Bearing Flange (Front Wheel Only)
8	532 13 83-37	Rim Asm 8" rear Silver Service
9	532 12 20-82	Tire R Ts 20 x 10-8 C Service
10	532 12 49-26	Tube Rear (Service Item Only)
11	532 17 50-39	Cap Axle Blk 1 50 x 1 00
--	532 14 43-34	Sealant, Tire (10 oz. Tube)

NOTE: All component dimensions given in U.S. inches
1 inch = 25.4 mm

REPAIR PARTS

TRACTOR - MODEL NO. YTH2148 (YTH2148D), PRODUCT NO. 954 57 19-60
ENGINE



engine-bs.van2cyl_16

KEY NO.	PART NO.	DESCRIPTION
1	532 17 07-71	Control Throttle
2	817 72 04-08	Screw Hex Thd Cut 1/4-20 x 1/2
3	-----	Engine Briggs 385777 (Order Parts From Engine Manufacturer)
4	532 14 97-23	Muffler
5	532 19 15-48	Exhaust Tube LH
6	532 19 15-49	Exhaust Tube RH
8	532 17 18-77	Bolt 5/16-18 unc x 3/4
10	532 14 66-29	Shield Heat Muffler
13	532 16 53-91	Gasket
14	532 14 84-56	Tube Drain Oil Easy
17	817 06 06-24	Screw 3/8-16 x 1-1/2
23	532 16 98-37	Shield Browning/Debris Guard
25	532 16 17-29	Control Choke
26	873 92 06-00	Nut Keps 3/8-24 unf
29	532 13 71-80	Kit Spark Arrester (Flat Scrn)
31	532 17 90-22	Tank Fuel

KEY NO.	PART NO.	DESCRIPTION
32	532 18 18-03	Cap Asm Fuel
33	532 12 34-87	Clamp Hose Black
37	532 14 21-58	Line Fuel
38	532 18 16-54	Plug Drain Oil Easy
41	532 13 92-77	Stem Tank Fuel
45	817 00 06-12	Screw Hex Wsh Thdr 3/8-16 x 3/4
72	532 18 39-06	Screw Socket Head 5/16-18 x 1
81	873 51 04-00	Nut Keps Hex 1/4-20 Starter Nut
112	532 12 49-52	Bushing

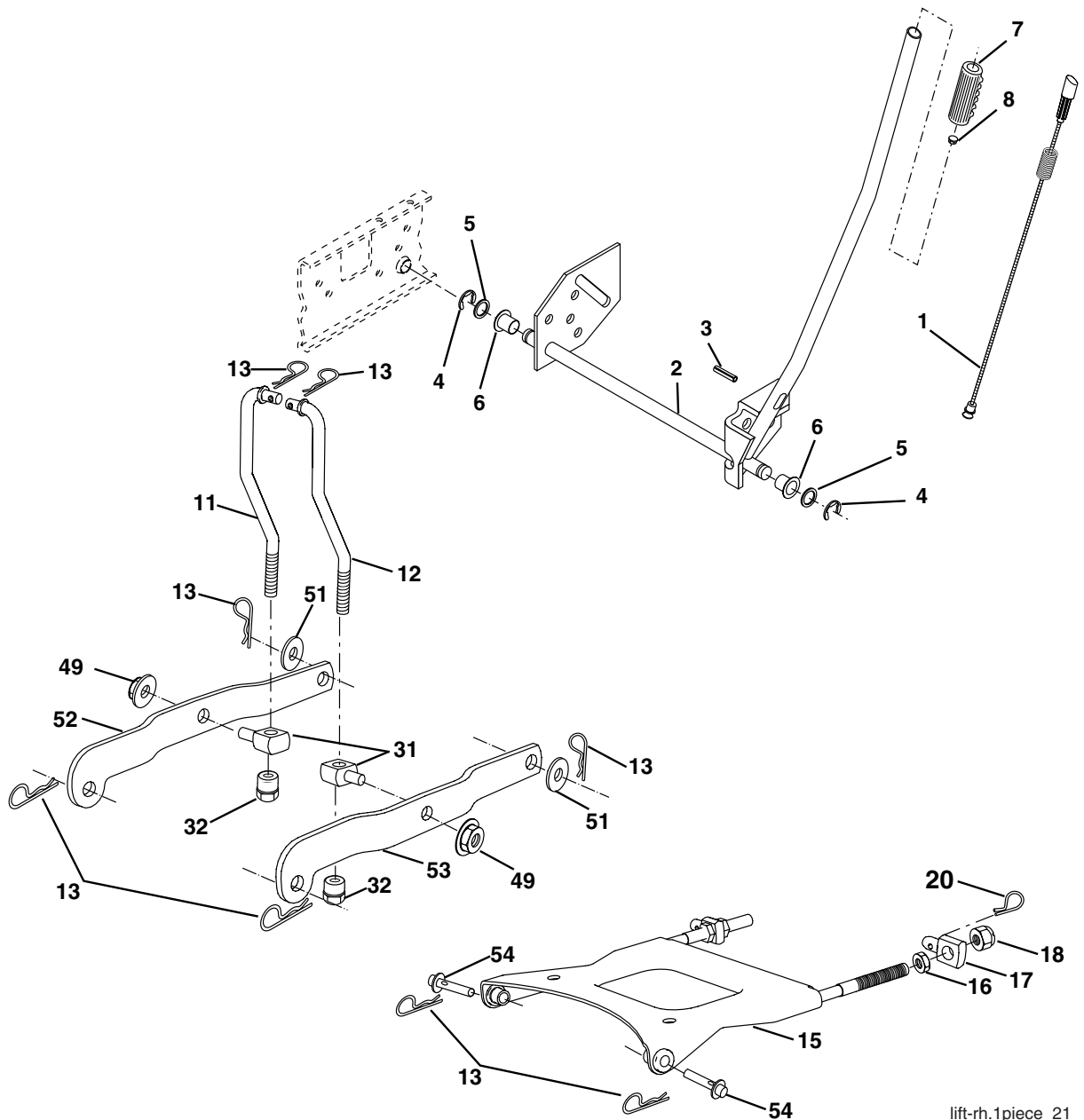
NOTE: All component dimensions given in U.S. inches
1 inch = 25.4 mm

For engine service and replacement parts, call the toll free number for your engine manufacturer listed below:

Briggs & Stratton	1-800-233-3723
Kohler Co.	1-800-544-2444
Tecumseh Products	1-800-558-5402
Honda Engines	1-800-426-7701
Kawasaki	1-800-460-5688

REPAIR PARTS

TRACTOR - MODEL NO. YTH2148 (YTH2148D), PRODUCT NO. 954 57 19-60
MOWER LIFT



lift-rh.1piece_21

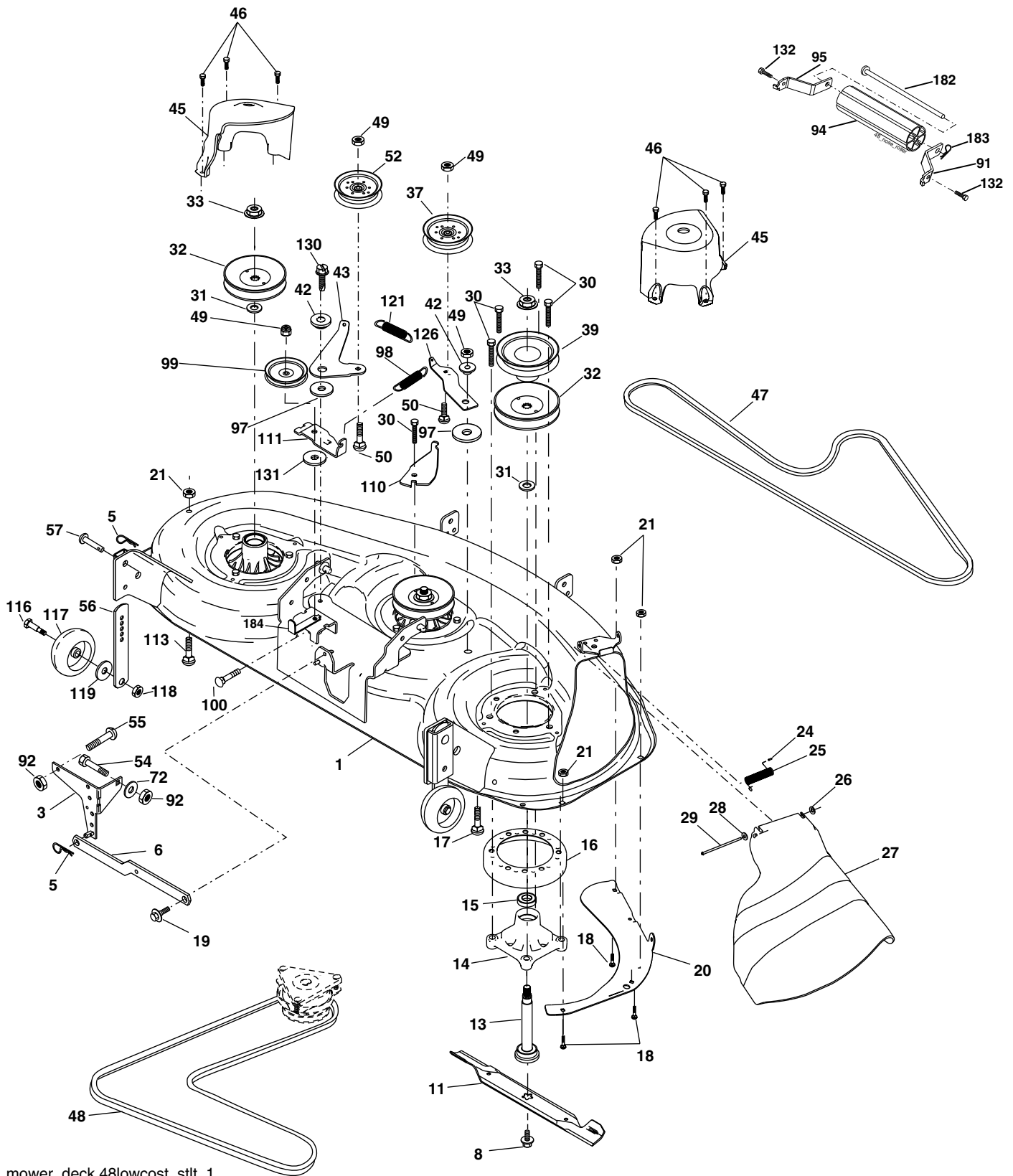
KEY NO.	PART NO.	DESCRIPTION
1	532 15 94-60	Wire Asm Inner W/plunger 17 32
2	532 15 94-71	Shaft Asm Lift LH Inf Hgt P/L
3	532 10 57-67	Pin Groove 1 500 Zinc
4	812 00 00-02	E Ring #5133-62
5	819 21 16-21	Washer 21/32 x 1 x 21 Ga.
6	532 12 01-83	Bearing Nylon Blk 629 Id
7	532 12 56-31	Grip Handle
8	532 12 45-26	Button Plunger
11	532 17 53-70	Link Lift LH
12	532 17 53-71	Link Lift RH
13	532 12 46-70	Retainer Spring
15	532 17 55-62	Plate Asm Suspension Front
16	873 35 08-00	Nut Jam Hex 1/2-13 unc
17	532 17 56-89	Trunnion Blk Zinc

KEY NO.	PART NO.	DESCRIPTION
18	873 80 08-00	Nut Lock W/wsh 1/2-13 unc
20	532 16 35-52	Retainer Spring
31	532 17 62-05	Trunnion Suspension Arm
32	532 17 59-94	Nut Lift Link 7/16-20
49	532 14 52-12	Nut Hex Flange Lock
51	819 17 14-16	Washer 17/32 x 7/8 x 16 Ga.
52	532 17 53-78	Arm Suspension Rear LH
53	532 17 58-02	Arm Suspension Rear RH
54	532 17 55-60	Pin Flange

NOTE: All component dimensions given in U.S. inches
1 inch = 25.4 mm

REPAIR PARTS

TRACTOR - MODEL NO. YTH2148 (YTH2148D), PRODUCT NO. 954 57 19-60
MOWER DECK



mower_deck.48lowcost_stlt_1

REPAIR PARTS

**TRACTOR - MODEL NO. YTH2148 (YTH2148D), PRODUCT NO. 954 57 19-60
MOWER DECK**

KEY NO.	PART NO.	DESCRIPTION	KEY NO.	PART NO.	DESCRIPTION
1	532 18 33-89	Deck Weldment Mower 48	55	872 14 06-08	Bolt Rdhd Sqnk 3/8-16 x 1
3	532 13 80-17	Bracket Asm., Sway Bar	56	532 15 59-86	Bar Pnt Adjusting Wheel Gauge
5	532 12 46-70	Retainer Spring	57	532 15 69-41	Pin Head Rivet
6	532 17 80-24	Bar Sway Deck	72	819 13 13-12	Washer 13/32 x 13/16 x 12
8	532 17 43-65	Bolt, 7/16 Asm. Blade	91	532 18 05-35	Bracket, Asm Noseroller, RH 48
11	532 18 00-54	Blade	92	873 80 06-00	Nut Lock Hex w/Ins 3/8-16
13	532 17 51-47	Shaft Asm. Mandrel Sealed	94	532 17 60-66	Roller, Nose 48"
14	532 17 43-58	Housing Mandrel 48"	95	532 18 05-34	Bracket, Asm Noseroller LH 48
15	532 11 04-85	Bearing, Ball, Mandrel	97	532 17 85-15	Washer Hardened
16	532 17 44-93	Stripper, Mower	98	532 17 94-79	Spring Primary Drive
17	872 11 06-10	Bolt Rdhd Sq Neck 3/8-16 x 1.25	99	532 18 40-58	Pulley Idler "V"
18	872 14 05-05	Bolt, Carriage 5/16-18 x 5/8	100	872 11 06-16	Bolt RDHD Sqnk 3/8-16 unc x 2
19	532 13 28-27	Bolt, Hex Head, Shoulder 5/16-18	110	532 17 50-16	Arm Spring Secondary
20	532 17 43-78	Baffle, Vortex Mower	111	532 17 46-10	Arm Spring Fixed Tension
21	873 68 05-00	Nut, Crownlock 5/16-18 unc	116	532 18 42-19	Bolt, Shoulder
24	532 10 53-04	Cap, Sleeve	117	532 13 39-57	Gauge Wheel
25	532 17 81-02	Spring, Torsion	118	873 93 06-00	Nut, Centerlock 3/8-16 unc
26	532 11 04-52	Nut, Push	119	819 12 14-14	Washer 3/8 x 7/8 x 14 Ga.
27	532 18 17-07	Shield, Deflector Mower	121	532 17 43-71	Spring Secondary Drive
28	819 11 10-16	Washer 11/32 x 5/8 x 16 Ga.	126	532 17 43-72	Arm, Idler, Primary Deck
29	532 13 14-91	Rod, Hinge	130	817 00 06-16	Screw 3/8-16 x 1.0
30	532 17 39-84	Screw, Thdroll, Washer Head	131	819 13 16-06	Washer 13/32 x 1 x 6 Ga.
31	532 18 76-90	Washer, Spacer Mower Vented	132	817 00 06-12	Screw 3/8-16 x 3/4
32	532 17 34-36	Pulley, Mandrel	133	872 11 05-06	Bolt RdhdSqnk 5/16-18 unc x 3/4
33	532 17 83-42	Nut, Flg. Top Lock Cntr. 9/16	182	532 17 91-27	Rod Roller Nose
37	532 17 79-68	Pulley, Idler, Flat	183	532 16 35-52	Retainer Spring
39	532 17 43-75	Pulley, Idler, Driven	184	532 17 39-79	Keeper Belt Idler
42	532 12 20-52	Spacer, Retainer	--	532 17 43-57	Mandrel Assembly (Includes Housing, Shaft and Shaft Hardware Only-Pulley Not Included)
43	532 17 43-73	Arm, Idler Secondary	--	532 18 99-06	Replacement Mower, Complete (Std Deck-Order Separately Nose Roller Components Key Nos. 91, 94-95, 132, 182-183)
45	532 18 08-06	Cover, Mandrel Deck			
46	532 13 77-29	Screw, Thdroll. 1/4-20 x 5/8			
47	532 18 08-08	V-Belt, Mower, Secondary			
48	532 17 43-68	V-Belt, Mower, Primary			
49	739 00 06-00	Nut, lock 3/8-16 unc			
50	872 11 06-12	Bolt, Carriage 3/8-16 x 1-1/2 Gr. 5			
52	532 17 58-20	Pulley Idler Flat 46 Pri. Drive			
54	874 78 06-16	Bolt Fin Hex 3/8-16 x 1			

NOTE: All component dimensions given in U.S. inches
1 inch = 25.4 mm