



Illustrated
Parts List

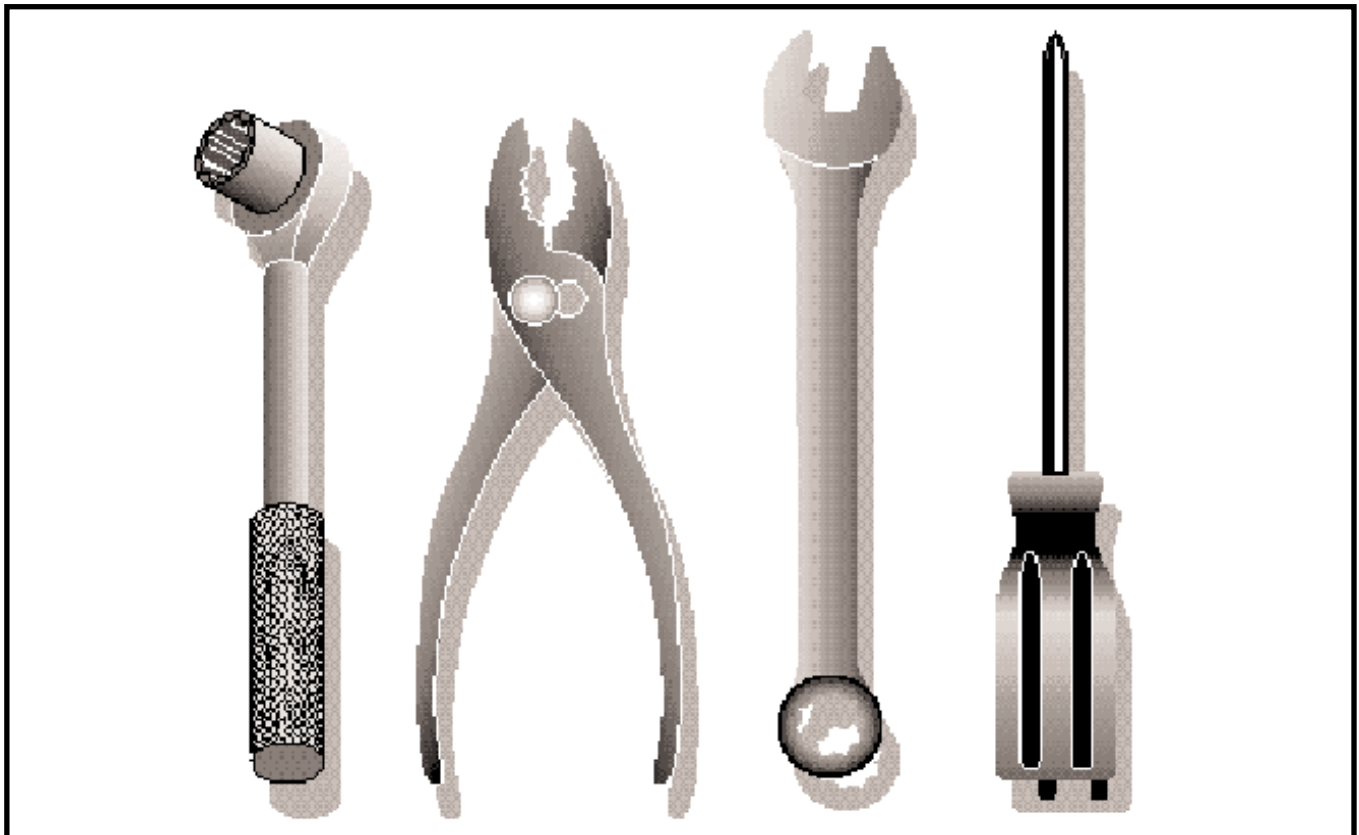
2004-02

I0402013

Ride Mower

LT18542 B

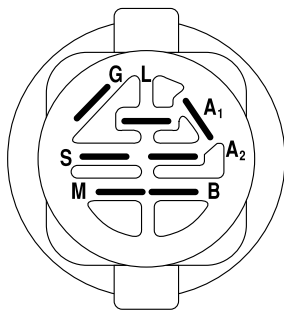
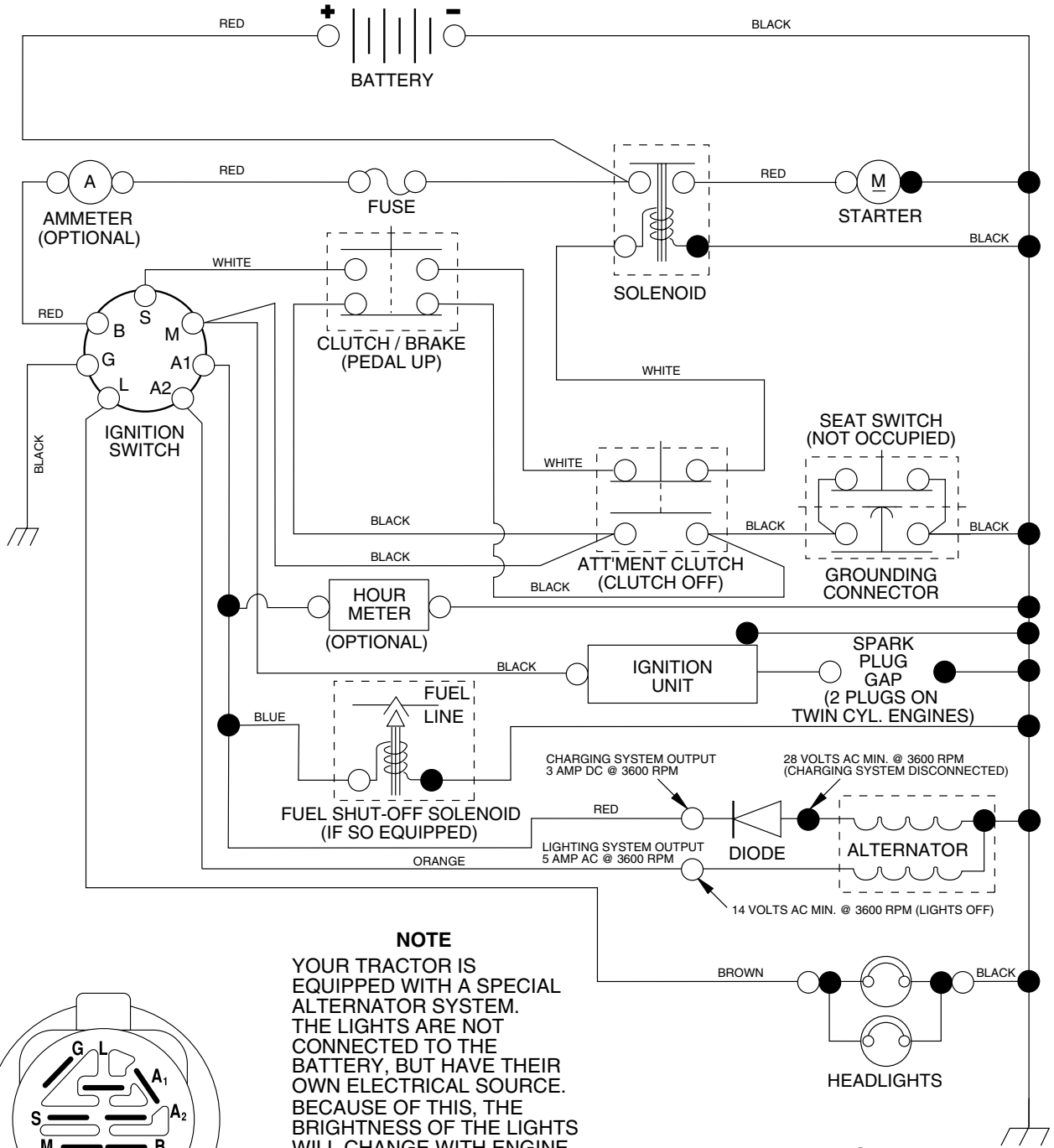
954571748



Repair Parts Manual

For Husqvarna Parts Call 606-678-9623 or 606-561-4983

For Husqvarna Parts Call 606-678-9623 or 606-561-4983
TRACTOR - - MODEL NO. LT18542 (LT18542B), PRODUCT NO. 954 57 17-48
SCHEMATIC



IGNITION SWITCH

POSITION	CIRCUIT	"MAKE"
OFF	M+G+A1	NONE
RUN/LIGHT	B+A1	A2+L
RUN	B+A1	NONE
START	B + S + A1	NONE

NOTE
 YOUR TRACTOR IS EQUIPPED WITH A SPECIAL ALTERNATOR SYSTEM. THE LIGHTS ARE NOT CONNECTED TO THE BATTERY, BUT HAVE THEIR OWN ELECTRICAL SOURCE. BECAUSE OF THIS, THE BRIGHTNESS OF THE LIGHTS WILL CHANGE WITH ENGINE SPEED. AT IDLE THE LIGHTS WILL DIM. AS THE ENGINE IS SPEEDED UP, THE LIGHTS WILL BECOME THEIR BRIGHTEST.

WIRING INSULATED CLIPS

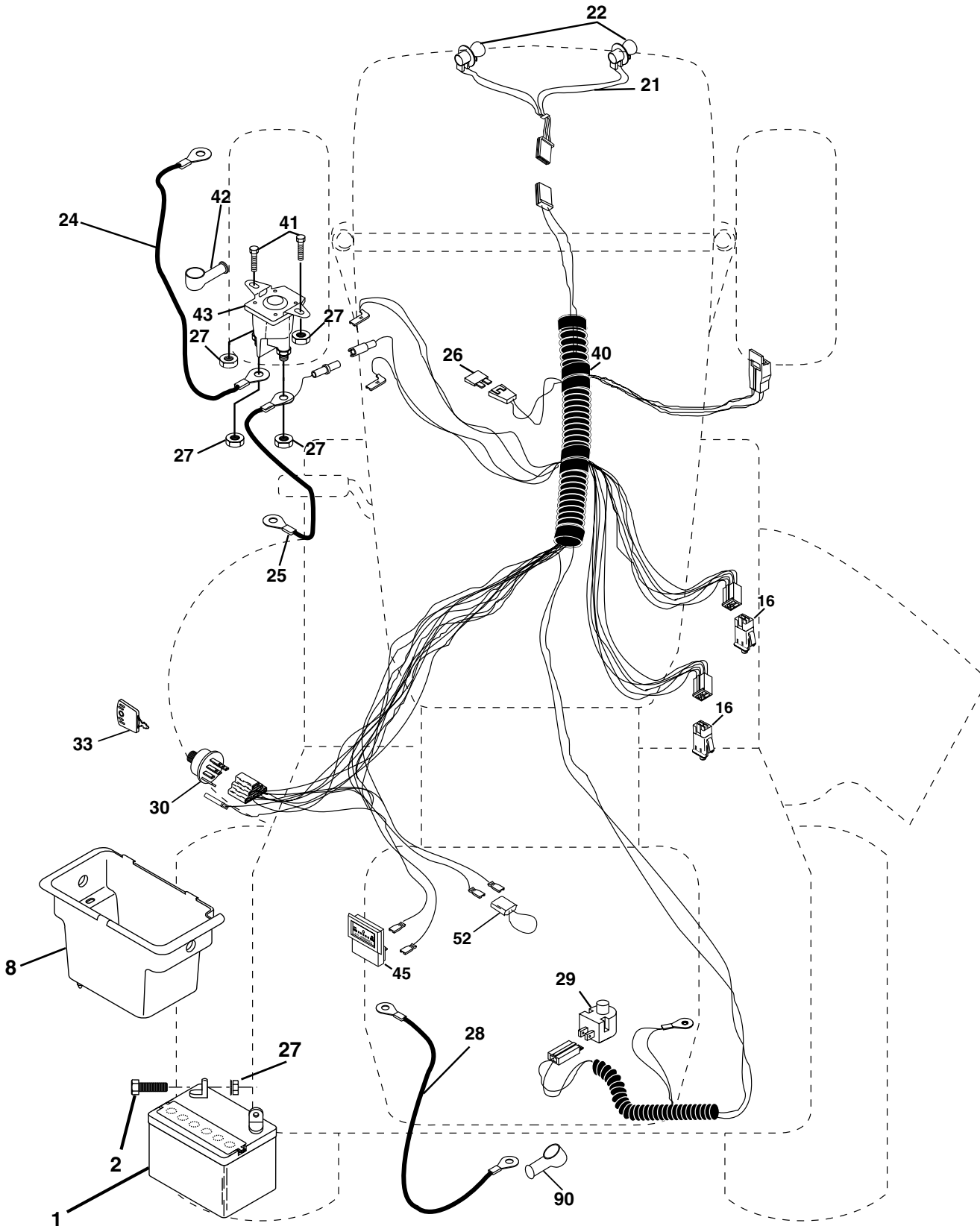
NOTE: IF WIRING INSULATED CLIPS WERE REMOVED FOR SERVICING OF UNIT, THEY SHOULD BE REPLACED TO PROPERLY SECURE YOUR WIRING.

NON-REMOVABLE CONNECTIONS

REMOVABLE CONNECTIONS

REPAIR PARTS

TRACTOR - - MODEL NO. LT18542 (LT18542B), PRODUCT NO. 954 57 17-48
ELECTRICAL



REPAIR PARTS

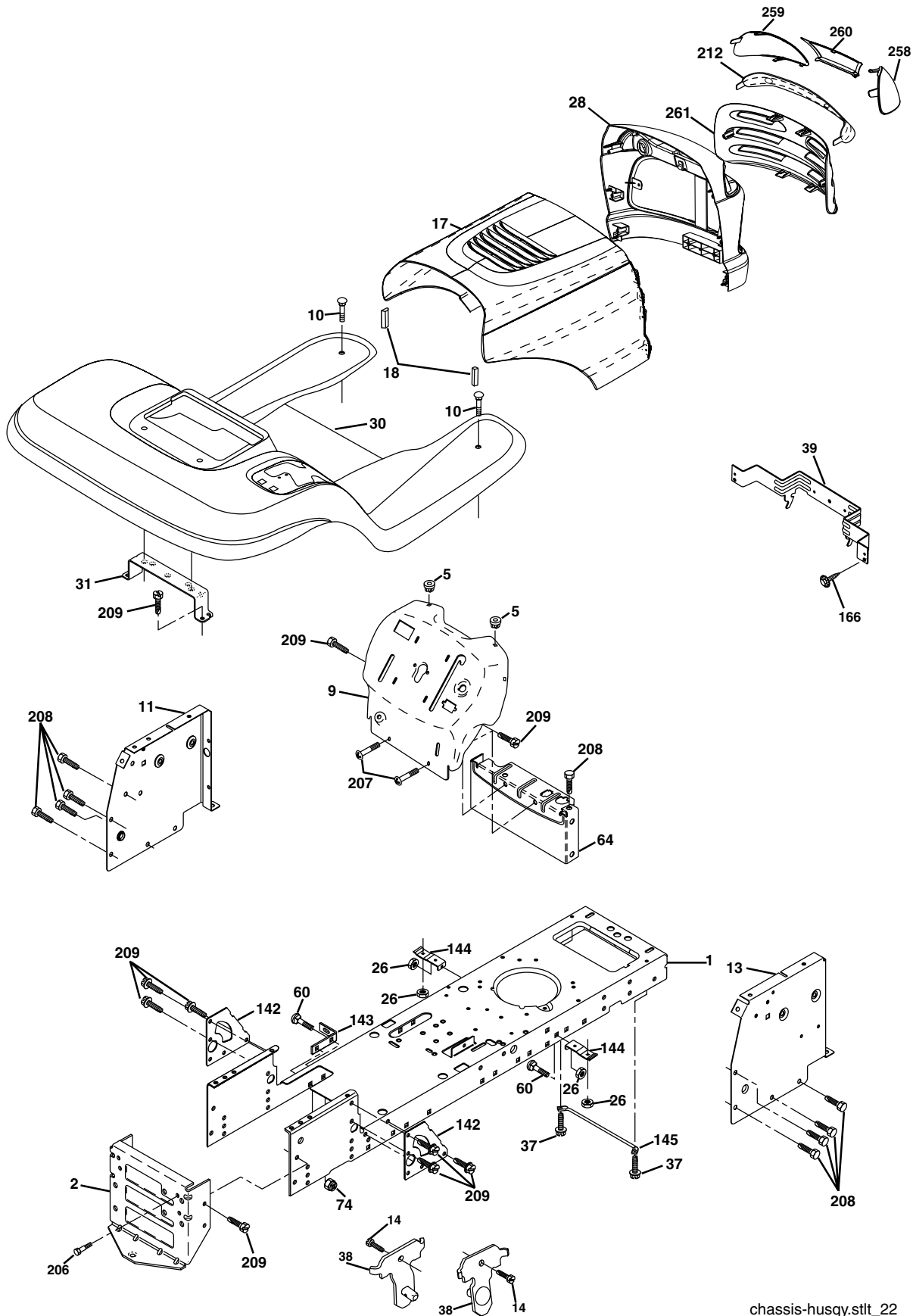
TRACTOR - - MODEL NO. LT18542 (LT18542B), PRODUCT NO. 954 57 17-48
ELECTRICAL

KEY NO.	PART NO.	DESCRIPTION
1	532 16 34-65	Battery
2	874 76 04-12	Bolt Hex Hd 1/4-20 unc x 3/4
8	532 17 66-89	Box Battery
16	532 17 61-38	Switch Interlock
21	532 17 56-88	Harness Asm Light W/4152j
22	532 00 41-52	Bulb Light #1156
24	532 12 47-80	Cable Battery 6 Ga. 11" red
25	532 14 61-47	Cable Battery 6 Ga. 44" red w/16 wire
26	532 17 51-58	Fuse
27	873 51 04-00	Nut Keps Hex 1/4-20 unc
28	532 12 47-73	Cable Ground 6 Ga. 12" black
29	532 12 13-05	Switch Plunger Gray
30	532 17 55-66	Switch Ign Delta
33	532 14 04-01	Key Ign Molded Generic
40	532 17 97-20	Harness Ign.
41	871 11 04-08	Bolt Blk Fin Hex 1/4 - 20 x 1/2
42	532 13 15-63	Cover Terminal Red
43	532 17 88-61	Solenoid
45	532 12 14-33	Ammeter
52	532 14 19-40	Protection Wire Loop
90	532 18 04-49	Cover Terminal Battery

NOTE: All component dimensions given in U.S. inches.
1 inch = 25.4 mm.

REPAIR PARTS

TRACTOR - - MODEL NO. LT18542 (LT18542B), PRODUCT NO. 954 57 17-48
CHASSIS AND ENCLOSURES



chassis-husqy.sttt_22

REPAIR PARTS

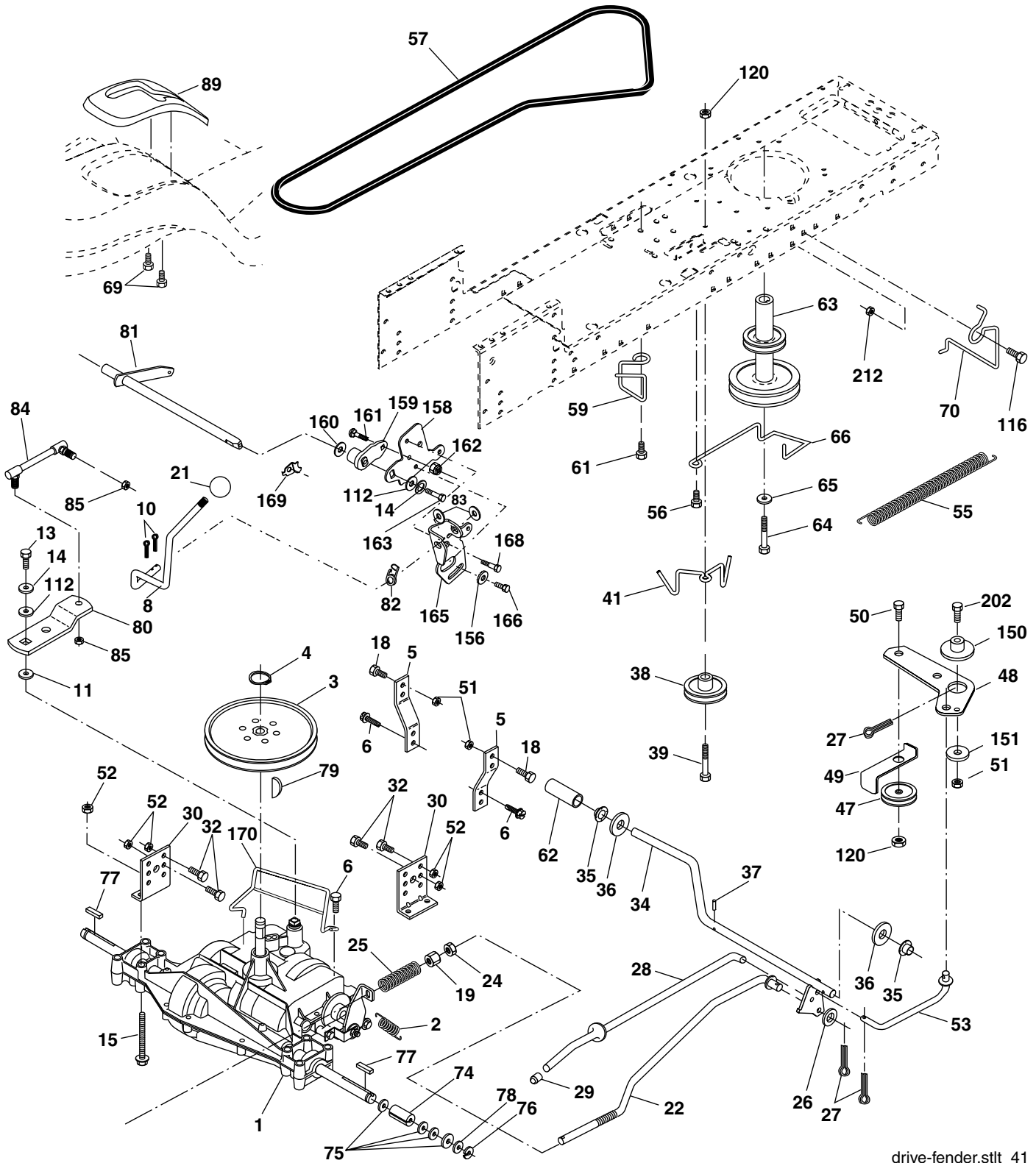
TRACTOR - - MODEL NO. LT18542 (LT18542B), PRODUCT NO. 954 57 17-48
CHASSIS AND ENCLOSURES

KEY NO.	PART NO.	DESCRIPTION
1	532 17 46-19	Chassis Stamping
2	532 17 65-54	Drawbar
5	532 15 52-72	Bumper
9	532 19 19-41	Dash
10	872 14 06-08	Bolt Rdhd Sqnk 3/8-16 unc x 1
11	532 17 49-96	Panel Dash Lh
13	532 18 17-19	Panel Dash Rh
14	817 49 06-08	Screw Thdrol 3/8-16 x 1/2
17	532 18 73-48	Hood
18	532 18 49-21	Bumper Hood
26	873 80 06-00	Nut Lock w/Insert 3/8-16 unc
28	532 18 52-92	Grille Lens Asm (Includes Key Nos. 212, 258 and 261)
30	532 19 18-17	Fender
31	532 13 99-76	Bracket
37	817 49 05-08	Screw Thdrol 5/16-18 x 1/2
38	532 17 57-10	Bracket Asm Pivot Mower Rear
39	532 17 47-14	Bracket Pivot Hood
60	872 14 06-06	Bolt RDHD SQNK 3/8-16 x 3/4
64	532 15 47-98	Dash Lower Stlt
74	873 68 06-00	Nut Crownlock 3/8-16
142	532 17 57-02	Plate Reinforcement Stlt
143	532 18 66-89	Bracket Swaybar Chassis
144	532 17 55-82	Bracket Ft Rest
145	532 15 65-24	Rod Pivot Chassis Hood
166	532 17 18-75	Screw HwHd Hi-Lo #13-16 x 3/4
206	532 17 01-65	Bolt Shoulder 5/16-18 TT
207	817 67 05-08	Screw Thdrol 5/16-18 x 1/2 TYTT
208	817 67 06-08	Screw Thdrol 3/8-16 x 1/2 TY-TT
209	817 00 06-12	Screw 3/8-16 x 3/4
212	532 18 35-48	Insert Lens Reflect
258	532 18 52-14	Lens RH
259	532 18 52-13	Lens LH
260	532 18 54-29	Cover Lens
261	532 18 54-33	Insert, Grille
--	532 00 54-79	Plug
--	532 18 78-01	Plug Dome Plastic (Choke Hole)

NOTE: All component dimensions given in U.S. inches
1 inch = 25.4 mm

REPAIR PARTS

TRACTOR - - MODEL NO. LT18542 (LT18542B), PRODUCT NO. 954 57 17-48
DRIVE



drive-fender.stlt_41

REPAIR PARTS

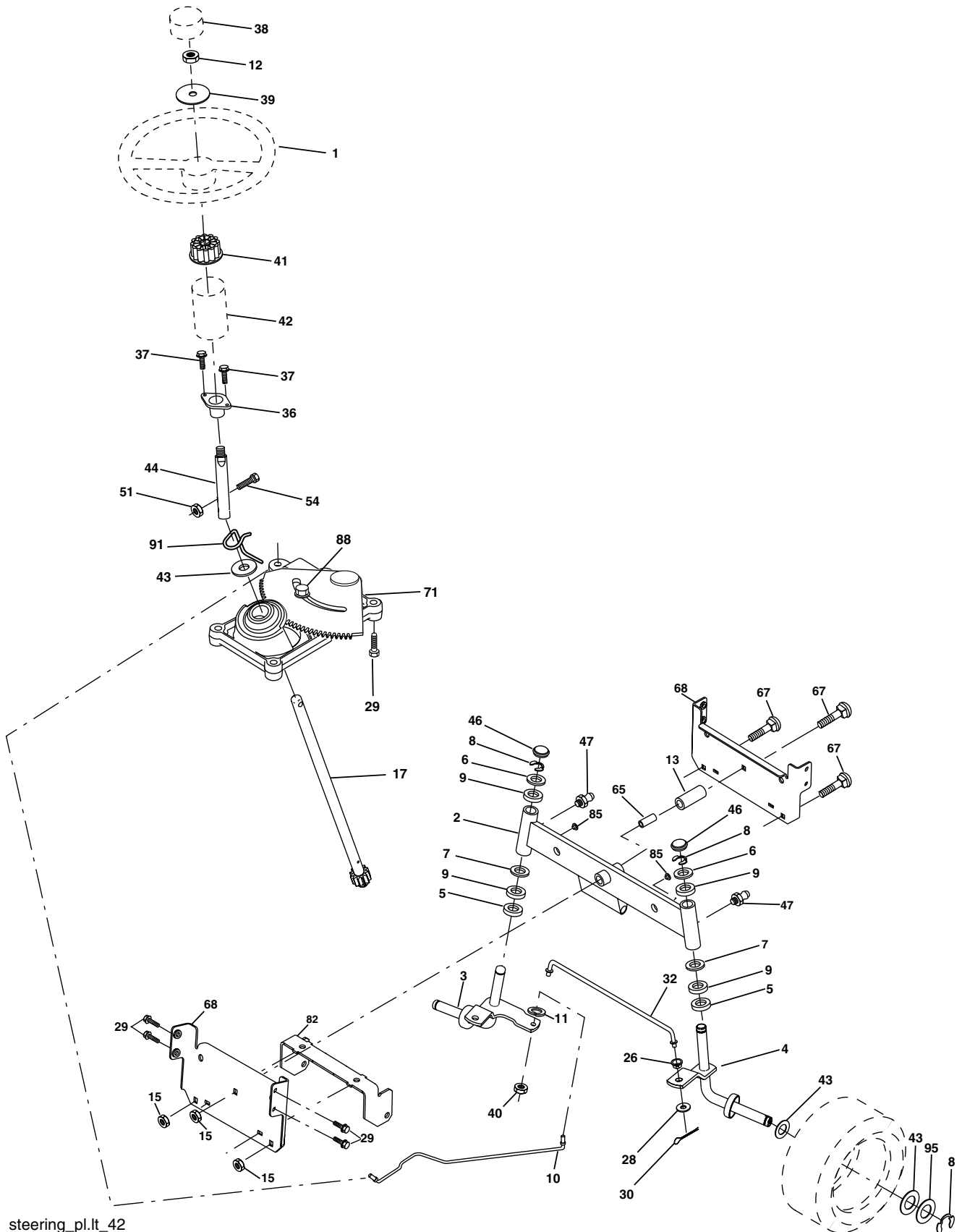
TRACTOR - - MODEL NO. LT18542 (LT18542B), PRODUCT NO. 954 57 17-48
DRIVE

KEY NO.	PART NO.	DESCRIPTION	KEY NO.	PART NO.	DESCRIPTION
1	-----	Transaxle, Peerless 206-545C (Order Parts From Transaxle Manufactuer)	62	532 12 48-72	Cover Pedal
2	532 14 66-82	Spring Return Brake T/a Zinc	63	532 17 54-10	Engine Pulley LT/YT
3	532 12 36-66	Pulley Transaxle 18" tires	64	532 17 39-37	Bolt Hex
4	812 00 00-28	Ring Retainer # 5100-62	65	810 04 07-00	Washer Lock Hvy Hlcl Spr 7/16
5	532 12 15-20	Strap Torque 30 Degrees	66	532 15 47-78	Keeper Belt Engine Foolproof
6	817 06 05-12	Screw Thdrol 5/16-18 x 3/4 TYT	69	532 14 24-32	Screw Hex Wsh Hi-Lo 1/4-1/2 unc
8	532 16 58-66	Rod Shift Fender Adjust STLT	70	532 13 46-83	Guide Belt Mower Drive RH
10	876 02 04-16	Pin Cotter 1/8 x 1 Cad	74	532 13 70-57	Spacer Axle
11	532 10 57-01	Washer Plate Shf 388 Sq Hole	75	532 12 17-49	Washer 25/32 x 1 1/4 x 16 Ga.
13	874 55 04-12	Bolt 1/4-28 unf Gr. 8 W/Patch	76	812 00 00-01	E-ring #5133-75
14	810 04 04-00	Washer Lock Hvy Helical 1/4	77	532 12 35-83	Key Square 2 0 x 1845/ 1865
15	874 49 05-44	Bolt 5/16-18 Gr. 5	78	532 12 17-48	Washer 25/32 x 1-5/8 x 16 Ga.
16	873 80 05-00	Nut Lock Hx W/lins 5/16-18 unc Pl	79	532 12 50-96	Key Woodruff #9 3/16 x 3/4
18	874 78 06-16	Bolt, Fin Hex 3/8-16 unc x 1 Gr. 5	80	532 13 14-86	Arm Shift
19	873 80 06-00	Nut Lock 3/8-16 unc	81	532 16 55-94	Shaft Asm Cross Tapered DA/PR 18"
21	532 10 69-33	Knob	82	532 16 57-11	Spring Torsion T/a
22	532 13 08-04	Rod Brake Blk Zinc 26 840	83	819 17 12-16	Washer 17/32 x 3/4 x 16 Ga.
24	873 35 06-00	Nut Hex Jam 3/8-16 unc	84	532 16 62-28	Transaxle Link
25	532 10 68-88	Spring Rod Brake 2 00 Zinc	85	532 15 03-60	Nut Lock Center 1/4 - 28 FNTHD
26	819 13 13-16	Washer 13/32 x 13/16 x 16 Ga	89	532 19 18-18	Console Shift STLT
27	876 02 04-12	Pin Cotter 1/8 x 3/4 Cad	96	532 12 47-88	Retainer Spring 1"
28	532 17 57-65	Rod Brake Parking LT/YT	112	819 09 12-10	Washer 9/32 x 3/4 x 10 Ga.
29	532 07 16-73	Cap Brake Parking Black	113	532 12 72-85	Strap Torque LT
30	532 17 49-73	Bracket Mtg Transaxle	116	872 14 06-08	Bolt Rdhd Sq Neck 3/8-16 x 1
32	874 76 05-12	Bolt Hex Hd 5/16-18 unc x 3/4	120	873 90 06-00	Nut Lock Flg. 3/8-16
34	532 17 55-78	Shaft Asm Pedal Foot	150	532 17 54-56	Spacer Retainer
35	532 12 01-83	Bearing Nylon Blk 629 Id	151	819 13 32-10	Washer 13/32 x 2 x 10 Ga.
36	819 21 16-16	Washer 21/32 x 1 x 16 Ga	156	532 16 60-02	Washer Srrted 5/16 ID x 1.125
37	532 12 49-63	Pin Roll 3/16 x 1"	158	532 16 55-89	Bracket Shift Mount
38	532 17 91-14	Pulley Composite	159	532 18 39-00	Hub Shift
39	872 11 06-22	Bolt Rdhd 3/8-16 x 2-3/4 Gr. 5	161	872 14 04-06	Bolt Rdhd Sqnk 1/4-20 x 3/4 Gr. 5
41	532 17 55-56	Keeper Belt Idler Flat	162	873 68 04-00	Nut Crownlock 1/4-20 unc
47	532 12 77-83	Pulley Idler V Groove Plastic	163	874 78 04-16	Bolt Hex Fin 1/4-20 unc x 1 Gr. 5
48	532 15 44-07	Bellcrank Clutch Grnd Drv Stl	165	532 16 56-23	Bracket Pivot Lever
49	532 12 32-05	Retainer Belt Style Spring	166	817 49 05-10	Screw 5/16-18 x 5/8
50	872 11 06-12	Bolt Carr. sh 3/8-16 x 1-1/2 Gr. 5	168	532 16 54-92	Bolt Shoulder 5/16-18 x .561
51	873 68 06-00	Nut Crownlock 3/8-16 unc	169	532 16 55-80	Plate Fastening STLT/CRD
52	873 68 05-00	Nut Crownlock 5/16-18 unc	170	532 18 74-14	Keeper Belt T/A
53	532 10 57-10	Link Clutch	197	532 16 96-13	Nyliner Snap-In 5/8" ID
55	532 10 57-09	Spring Return Clutch 6 75	198	532 16 95-93	Washer Nyl 7/8 Id x .105" Hyd
56	817 06 06-20	Screw 3/8-16 x 1-1/4	202	872 11 06-14	Bolt 3/8-16 x 1-3/4 Gr 5
57	532 13 08-01	V-Belt Ground Drive 95 25	212	532 14 52-12	Nut Hex Flg Lock
59	532 16 96-91	Keeper Belt Span Ctr			
61	817 12 06-14	Screw 3/8-16 x .875			

NOTE: All component dimensions give in U.S. inches.
1 inch = 25.4 mm.

REPAIR PARTS

TRACTOR - - MODEL NO. LT18542 (LT18542B), PRODUCT NO. 954 57 17-48
STEERING ASSEMBLY



steering_pl.lt_42

REPAIR PARTS

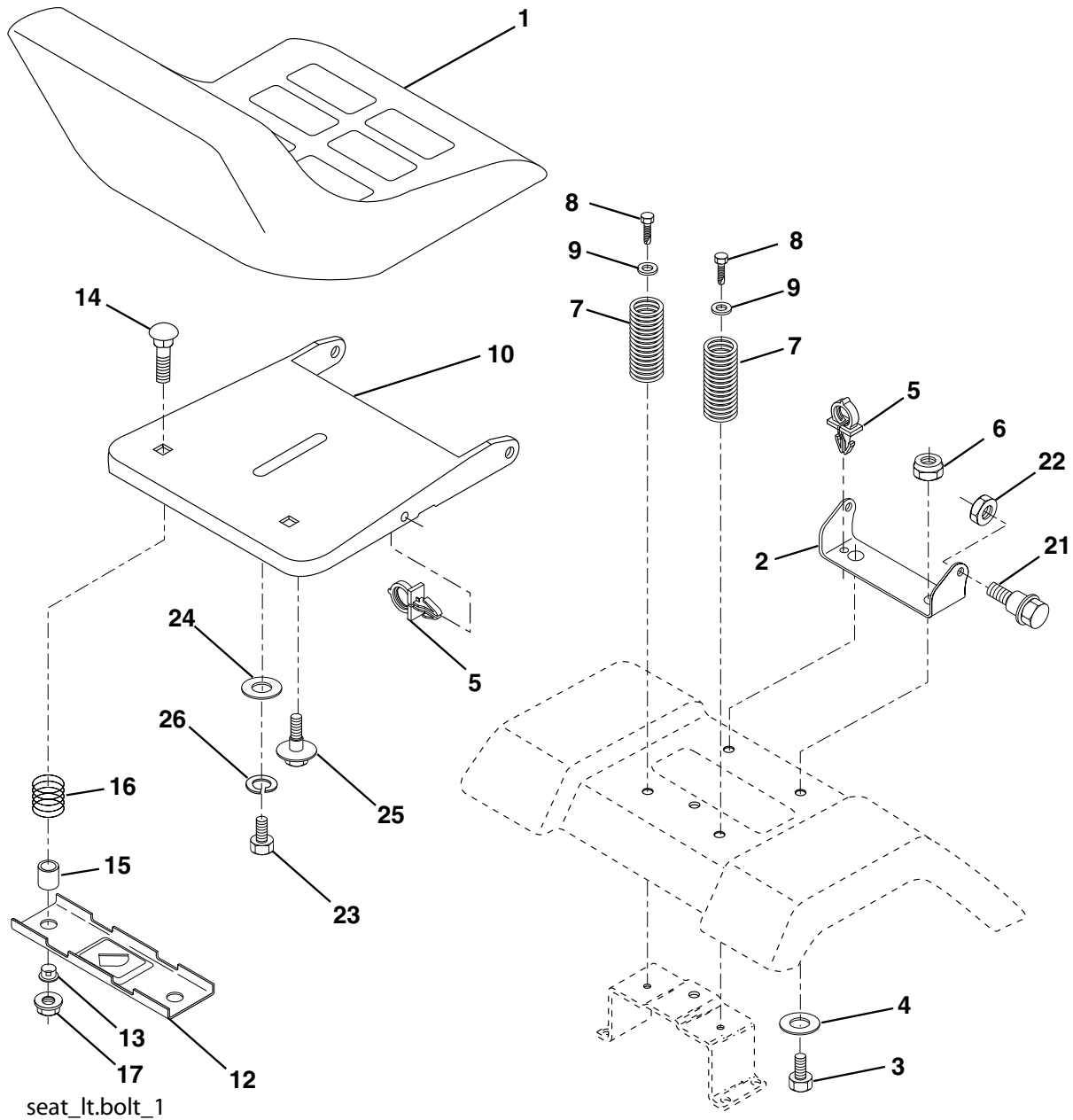
TRACTOR - - MODEL NO. LT18542 (LT18542B), PRODUCT NO. 954 57 17-48
STEERING ASSEMBLY

KEY NO.	PART NO.	DESCRIPTION
1	532 18 54-37	Wheel Steering
2	532 17 51-31	Axle Asm
3	532 16 98-40	Spindle Asm LH
4	532 16 98-39	Spindle Asm RH
5	532 12 49-31	Bearing Race Thrust Harden
6	532 12 17-48	Washer 25/32 x 1-5/8 x 16 Ga.
7	819 27 20-16	Washer 27/32 x 1-1/4 x 16 Ga.
8	812 00 00-29	Ring Klip #t5304-75
9	532 12 49-37	Bearing Col Strg Blk
10	532 17 51-21	Link Drag
11	810 04 06-00	Washer Lock Hvy Hlcl Spr 3/8
12	873 94 08-00	Nut Hex Jam Toplock 1/2-20 unf
13	532 13 65-18	Spacer Brg Axle Front
15	532 14 52-12	Nut Hex Flange Lock
17	532 18 06-41	Shaft Asm Strg
26	532 12 68-47	Bushing Link Drag Blk LR
28	819 13 14-16	Washer 13/32 x 7/8 x 16 Ga.
29	817 00 06-12	Screw 3/8-16 x 3/4
30	876 02 04-12	Pin Cotter 1/8 x 3/4 Cad
32	532 13 04-65	Rod Tie Wire Form 19 75 Mech
36	532 15 50-99	Bushing Strg
37	532 15 29-27	Screw
38	532 16 66-26	Cap Wheel Steering
39	819 18 24-11	Washer 9/16 x 1-1/2 11 Ga.
40	873 54 06-00	Lock nut
41	532 15 99-45	Adaptor Wheel Strg
42	532 16 96-34	Boot Steering Shaft
43	532 12 17-49	Washer 25/32 x 1 1/4 x 16 Ga.
44	532 18 06-40	Extension Steering Shaft LR/LT
46	532 12 12-32	Cap Spindle Fr Top Blk
47	532 18 32-26	Fitting Grease
51	873 54 04-00	Nut Crownlock 1/4-28
54	871 13 04-20	Bolt Hex 1/4-28 unf x 1-1/4 Gr. 8
65	532 16 03-67	Spacer Brace Axle
67	872 11 06-18	Bolt Rdhd Sq 3/8-16 x 2-1/4
68	532 16 98-27	Axle, Brace
71	532 17 51-46	Steering Asm
82	532 16 98-35	Bracket Susp Chassis Front
85	532 13 38-35	Fastner Christmas Tree
88	532 17 51-18	Bolt Shoulder 7/16-20
91	532 17 55-53	Clip Steering
95	532 18 89-67	Washer Hardened

NOTE: All component dimensions given in U.S. inches.
1 inch = 25.4 mm.

REPAIR PARTS

TRACTOR - - MODEL NO. LT18542 (LT18542B), PRODUCT NO. 954 57 17-48
SEAT ASSEMBLY



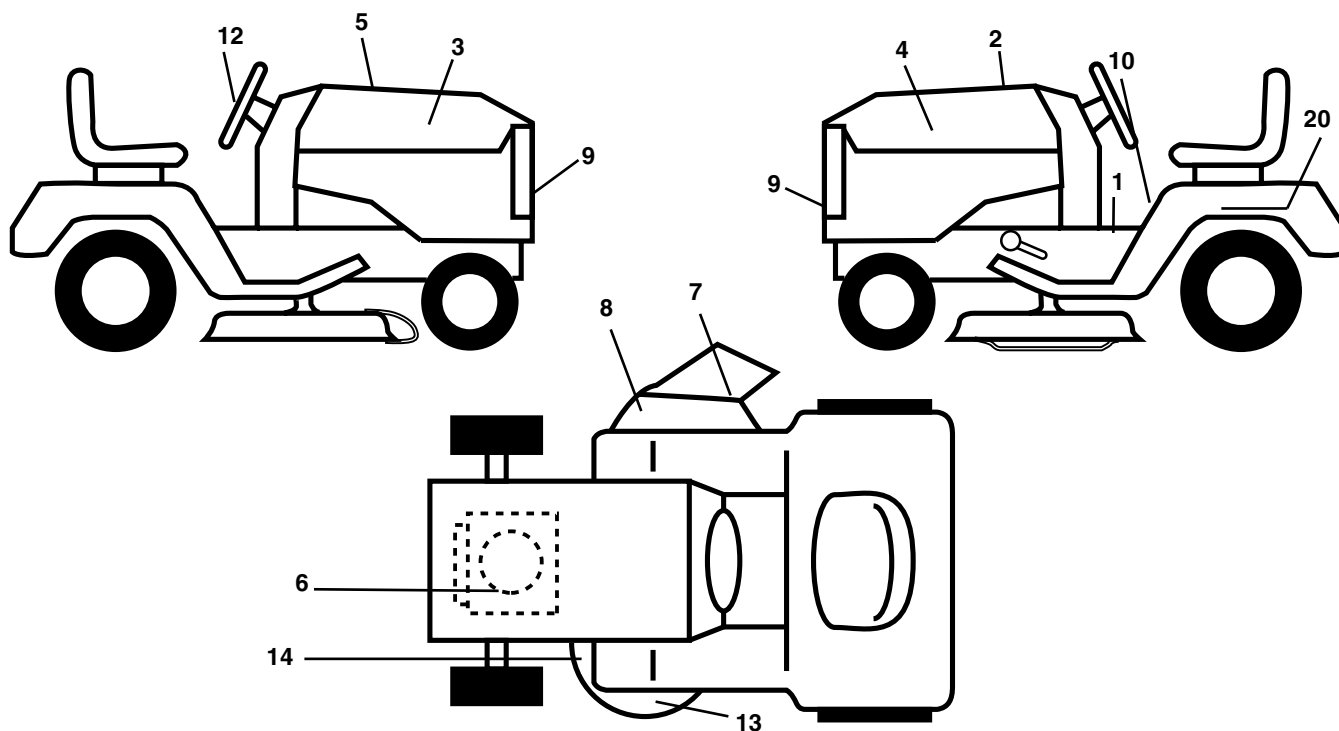
KEY NO.	PART NO.	DESCRIPTION
1	532 18 49-91	Seat
2	532 14 05-51	Bracket Pivot Seat 8 720
3	871 11 06-16	Bolt Fin Hex 3/8-16 unc x 1
4	819 13 16-10	Washer 13/32 x 1 x 10 Ga.
5	532 14 50-06	Clip Push-In
6	873 80 06-00	Nut Hex w/Ins. 3/8-16 unc
7	532 12 41-81	Spring Seat Cprsn 2 250 Blk Zi
8	817 00 06-16	Screw 3/8-16 x 1
9	819 13 16-14	Washer 13/32 x 1 x 14 Ga.
10	532 18 24-93	Pan Seat
12	532 12 12-46	Bracket Mounting Switch
13	532 12 12-48	Bushing Snap Blk Nyl 50 Id

KEY NO.	PART NO.	DESCRIPTION
14	872 05 04-12	Bolt Rdhd Sqnk 1/4-20 x 1-1/2
15	532 13 43-00	Spacer Split 28 x 96 Yel Zinc
16	532 12 12-50	Spring Cprsn 1 27 Blk Pnt
17	532 12 39-76	Nut Lock 1/4 Lge Flg Gr. 5 Zinc
21	532 17 18-52	Bolt Shoulder 5/16-18 unc-2A
22	873 80 05-00	Nut Hex Lock W/Ins 5/16-18
23	871 11 08-14	Bolt, Hex Black
24	819 17 19-12	Washer 17/32 x 1-3/16 x 12 Ga.
25	532 12 70-18	Bolt Shoulder 5/16-18 x 62
26	810 04 08-00	Washer Lock

NOTE: All component dimensions given in U.S. inches.
1 inch = 25.4 mm

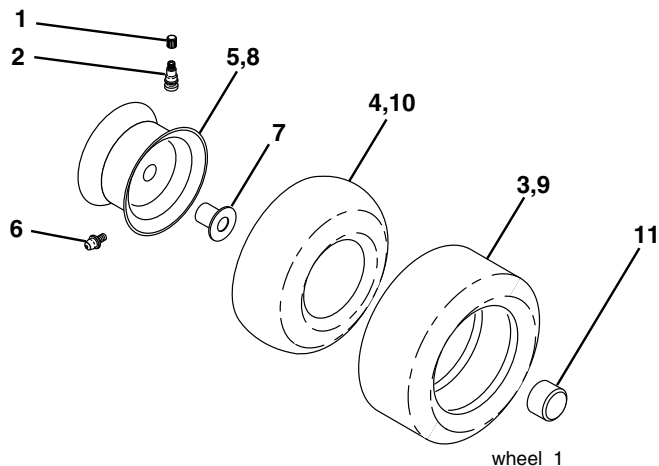
REPAIR PARTS

TRACTOR - - MODEL NO. LT18542 (LT18542B), PRODUCT NO. 954 57 17-48
DECALS



KEY NO.	PART NO.	DESCRIPTION	KEY NO.	PART NO.	DESCRIPTION
1	532 15 63-69	Decal Oper.	10	532 15 71-40	Decal Fender Danger Eng/Fr
2	532 18 92-86	Decal Replc Part	12	532 18 89-25	Decal Steering Wheel
3	532 18 89-16	Decal Hood RH	13	532 17 23-31	Decal Deck Heavy Duty
4	532 18 89-17	Decal Hood LH	14	532 16 03-96	Decal V-Belt Schematic
5	532 18 09-41	Decal Hood Cust.	20	532 14 50-05	Decal Bat Dan/Psn
6	532 18 91-23	Decal Engine	--	532 13 83-11	Decal Handle Lft Height Adjust
7	532 17 91-28	Decal Deck B 42	--	532 18 82-53	Pad Footrest RH
8	532 17 05-63	Decal Warning	--	532 18 82-52	Pad Footrest LH
9	532 18 92-85	Decal Side Panel	--	532 19 18-70	Manual Owner's (English)

WHEELS & TIRES

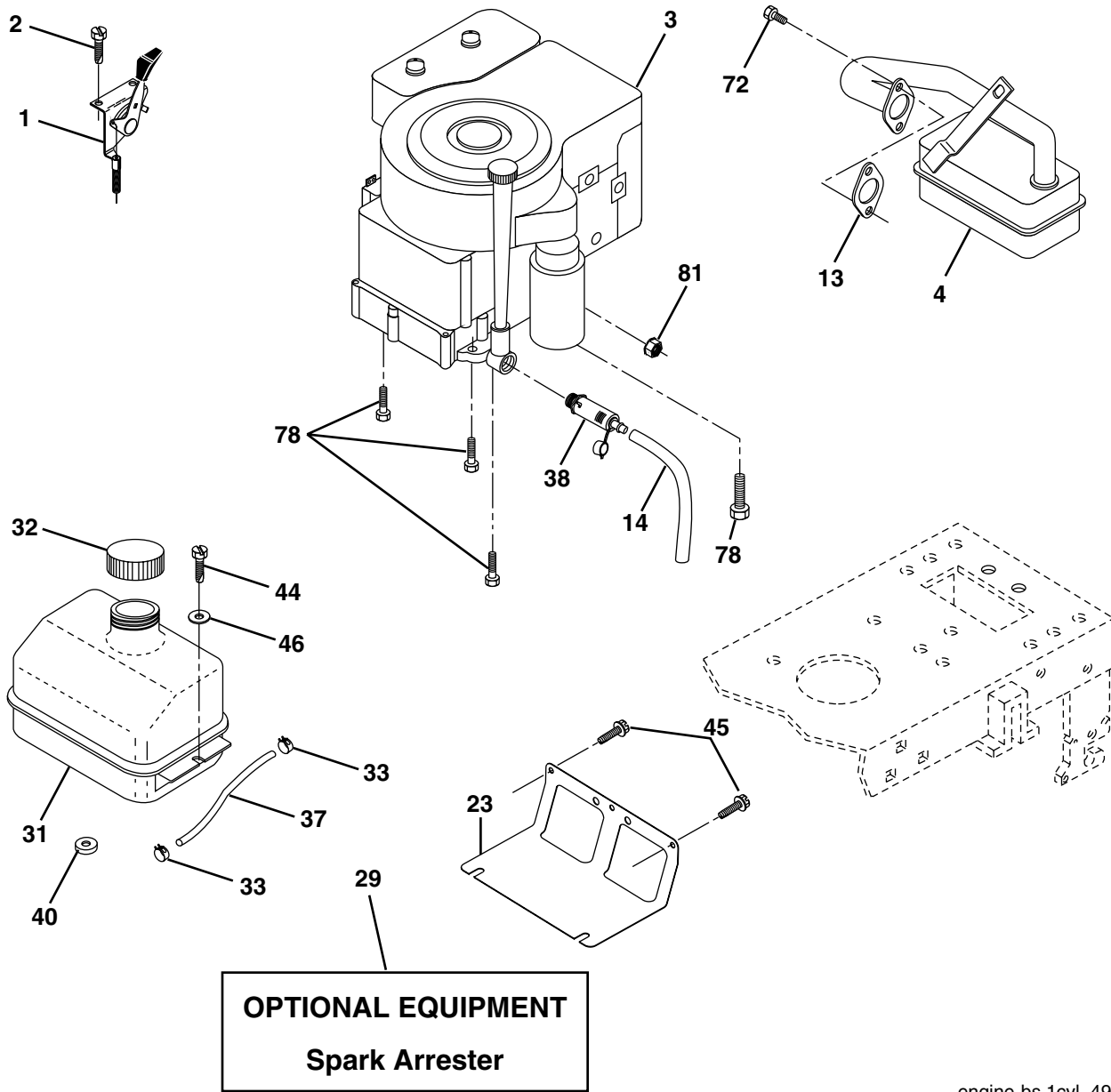


KEY NO.	PART NO.	DESCRIPTION
1	532 05 91-92	Cap Valve Tire
2	532 06 51-39	Stem Valve
3	532 10 62-22	Tire F Ts 15 x 6 0 - 6 Service
4	532 05 99-04	Tube Front (Service Item Only)
5	532 13 83-36	Rim Asm 6"front Silver Service
6	532 12 49-57	Fitting Grease (Front Wheel Only)
7	532 12 49-59	Bearing Flange (Front Wheel Only)
8	532 13 83-37	Rim Asm 8"rear Silver Service
9	532 10 62-68	Tire R Ts 18 x 9 5-8 C Service
10	532 12 49-26	Tube Rear (Service Item Only)
11	532 17 50-39	Cap Axle Blk 1 50 x 1 00
--	532 14 43-34	Sealant, Tire (10 oz. Tube)

NOTE: All component dimensions given in U.S. inches
1 inch = 25.4 mm

REPAIR PARTS

TRACTOR - - MODEL NO. LT18542 (LT18542B), PRODUCT NO. 954 57 17-48
ENGINE



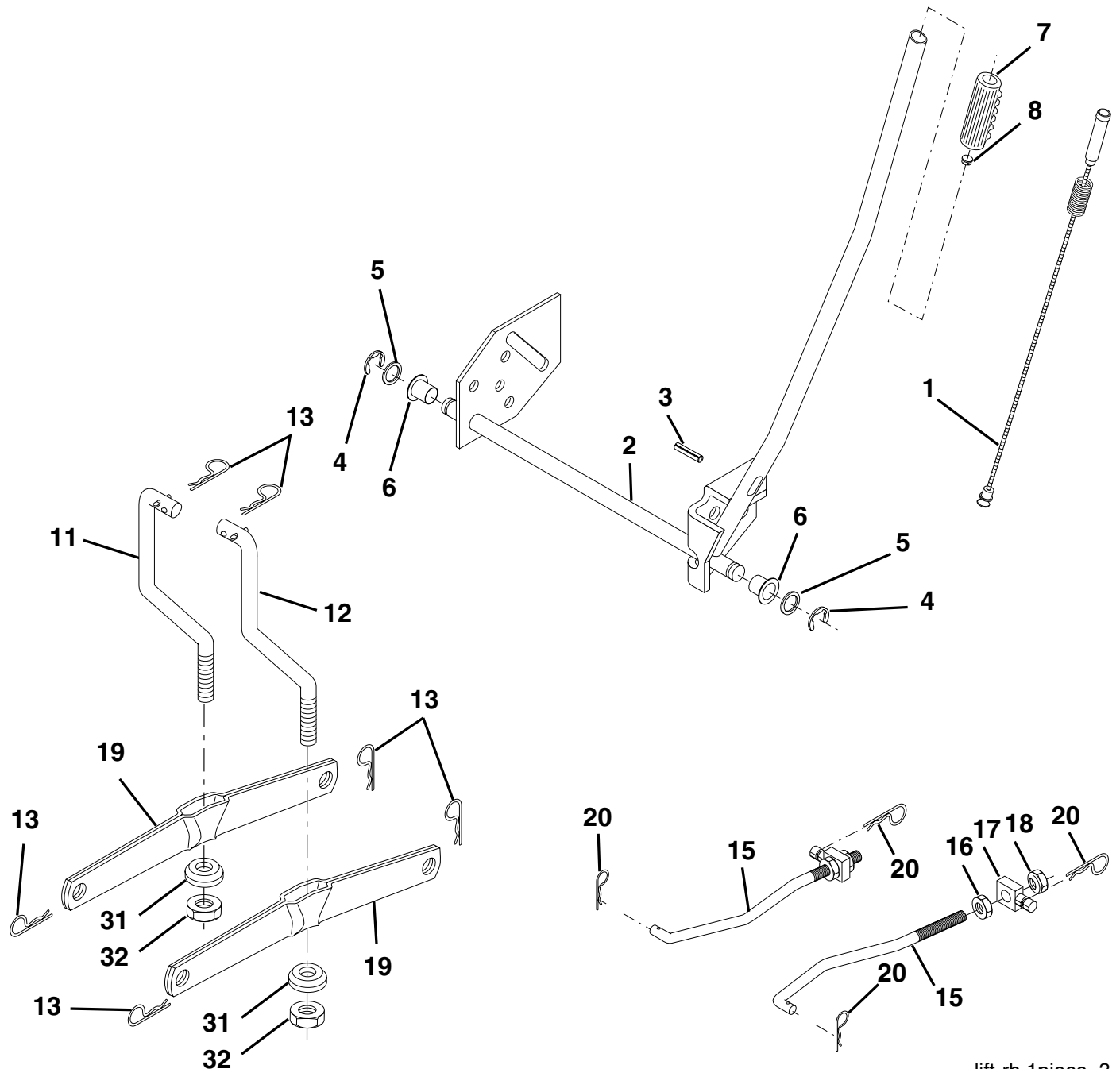
engine-bs.1cyl_49

KEY NO.	PART NO.	DESCRIPTION	KEY NO.	PART NO.	DESCRIPTION
1	532 17 05-51	Control Th/ch Flag	37	532 13 70-40	Line Fuel 20"
2	817 72 04-08	Screw Hex Thd Cut 1/4-20 x 1/2	38	532 18 16-54	Plug Drain Oil Easy
3	-----	Engine, Briggs 31Q777 (Order parts from engine manufacturer)	40	532 12 40-28	Bushing Snap Nyl Blk Fuel Line
4	532 13 73-52	Muffler	44	817 67 04-12	Screw Hexwsh Thdrol 1/4-20 x 3/4
13	532 16 52-91	Gasket Eng	45	817 00 06-12	Screw Hexwsh Thdr 3/8-16 x 3/4
14	532 14 84-56	Tube Drain Oil Easy	46	819 09 14-16	Washer 9/32 x 7/8 x 16 Ga.
23	532 16 98-37	Shield Brn/Dbr Guard	72	532 18 39-06	Screw Socket Head 5/16-18 x 1
29	532 13 71-80	Kit Spark Arrestor (Flat Scrn)	78	817 06 06-20	Screw 3/8-16 x 1-1/4 SMGML
31	532 18 49-00	Tank Fuel Front	81	873 51 04-00	Nut Keps Hex 1/4-20 unc
32	532 14 05-27	Cap Asm Fuel W/sym Vented			
33	532 12 34-87	Clamp Hose Black			

NOTE: All component dimensions given in U.S. inches
1 inch = 25.4 mm

REPAIR PARTS

TRACTOR - - MODEL NO. LT18542 (LT18542B), PRODUCT NO. 954 57 17-48
MOWER LIFT



lift-rh.1piece_3

KEY NO.	PART NO.	DESCRIPTION
1	532 15 94-60	Wire Asm Inner W/plunger LT
2	532 15 94-71	Shaft Asm Lift
3	532 10 57-67	Pin Groove
4	812 00 00-02	E Ring #5133-62
5	819 21 16-21	Washer PLTD 21/32 x 1 x 21 Ga.
6	532 12 01-83	Bearing Nylon Blk 629 Id
7	532 12 56-31	Grip Handle
8	532 12 45-26	Button Plunger Black
11	532 13 98-65	Link Lift LH
12	532 13 98-66	Link Lift RH
13	532 12 46-70	Retainer Spring

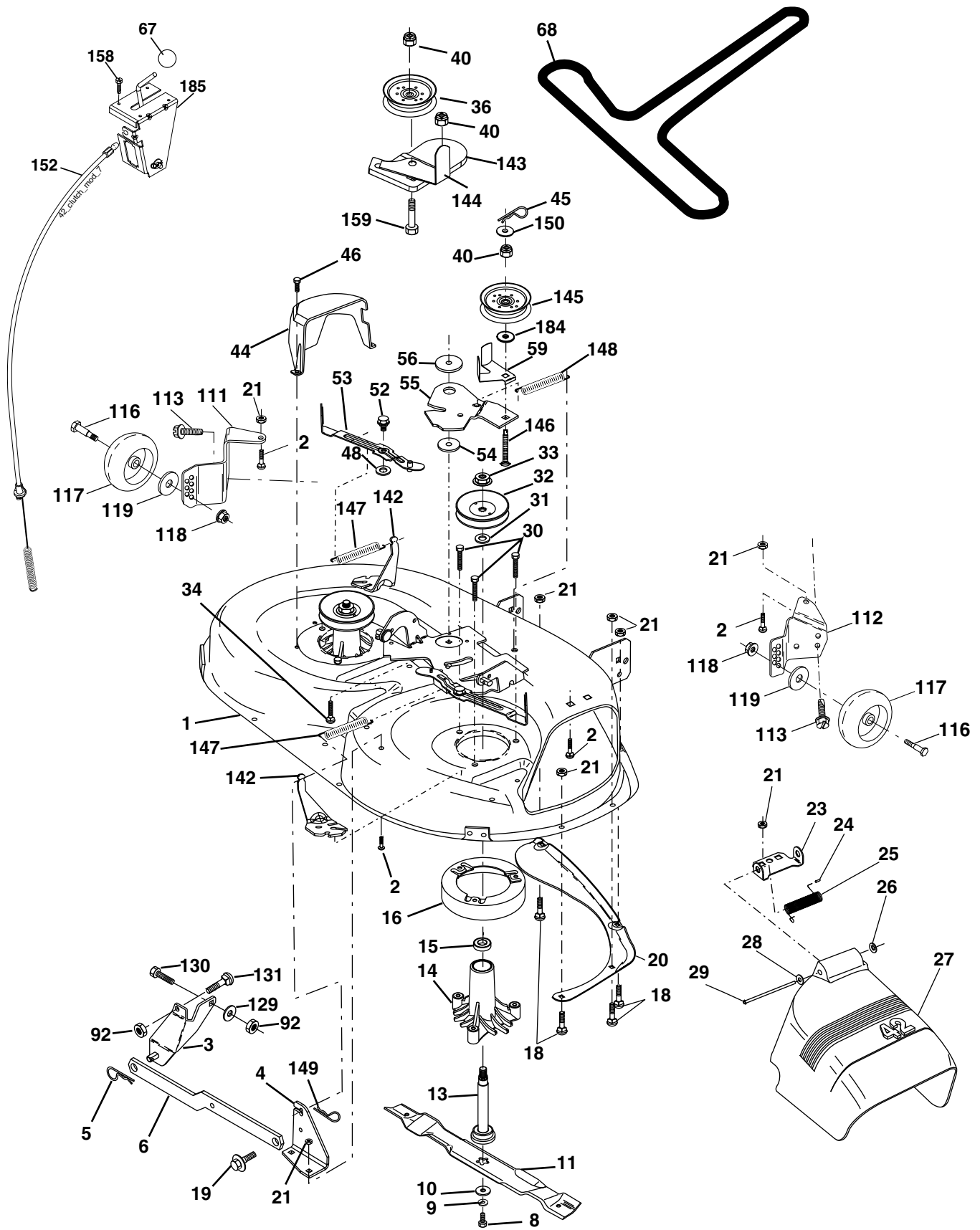
KEY NO.	PART NO.	DESCRIPTION
15	532 17 32-88	Link Front
16	873 35 08-00	Nut Jam Hex 1/2-13 unc
17	532 17 56-89	Trunnion
18	873 80 08-00	Nut Lock W/Wsh 1/2-13 unc
19	532 13 98-68	Arm Suspension Rear
20	532 16 35-52	Spring, Retainer
31	532 16 98-65	Bearing Pvt. Lift
32	873 54 06-00	Nut Crownlock 3/8-24

NOTE: All component dimensions given in U.S. inches
1 inch = 25.4 mm

For Husqvarna Parts Call 606-678-9623 or 606-561-4983

REPAIR PARTS

TRACTOR - - MODEL NO. LT18542 (LT18542B), PRODUCT NO. 954 57 17-48
MOWER DECK



42_D_man-t-path_stlt_3

40

REPAIR PARTS

TRACTOR - - MODEL NO. LT18542 (LT18542B), PRODUCT NO. 954 57 17-48
MOWER DECK

KEY NO.	PART NO.	DESCRIPTION	KEY NO.	PART NO.	DESCRIPTION
1	532 16 58-92	Deck Asm MWR 42"weldment	48	532 13 39-44	Washer Hardened Smaller
2	872 14 05-06	Bolt Rdhd Sqnk 5/16-18 unc x 3/4	52	532 13 98-88	Bolt Shoulder 5/16-18 unc Blkz
3	532 13 80-17	Bracket Asm Fr Sway Bar 38/42	53	532 18 49-07	Arm Asm Pad Brake
4	532 16 54-60	Bracket Asm Deck 42"sway Bar	54	532 17 85-15	Washer Hardened
5	532 12 46-70	Retainer Spring	55	532 15 50-46	Arm Idler 42"mower LT/YT
6	532 17 80-24	Deck Sway Bar	56	532 16 57-23	Spacer Retainer Mower
8	532 85 08-57	Bolt 3/8 - 24 x 1.25 Gr. 8	59	532 14 10-43	Guard TUV Idler
9	810 03 06-00	Washer Lock Hvy 3/8	67	532 10 69-32	Knob Rd 3/8-16 Plstc Thds Blk
10	532 14 02-96	Washer Hard Blade Mower Vented (The following blades are available)	68	532 14 49-59	V-Belt Mower 42"
11	532 13 41-49	Blade Mower 42" (For mulching mowers only)	92	873 80 06-00	Nut 3/8-16 unc
--	532 13 97-75	Blade, 42" Mulching Premium (For better wear when mulching)	111	532 17 92-92	Bracket Wheel Guage LH
--	532 13 89-71	Blade, 42" Hi-Lift (For bagging or discharging)	112	532 17 92-93	Bracket Wheel Guage RH
13	532 13 76-45	Shaft Asm W/lower Bearing	113	817 00 05-10	Bolt 5/16-18 Hex Whs-Hd Lck Ser.
14	532 12 87-74	Housing Mandrel Vented	116	532 12 48-42	Bolt Shoulder
15	532 11 04-85	Bearing Ball Mandrel	117	532 16 57-46	Wheel Guage
16	532 17 44-93	Stripper Mower	118	873 93 06-00	Nut Lock 3/8-16 unc
18	872 14 05-05	Bolt Rdhd Sqnk 5/16-18 x 5/8	119	819 12 14-14	Washer 3/8 x 7/8 x 14 Ga.
19	532 13 28-27	Bolt Shoulder	129	819 13 13-12	Washer 13/32 x 13/16 x 12 Ga.
20	532 15 97-70	Baffle Vortex 42	130	874 78 06-16	Bolt 3/8-16 x 1 Gr. 5
21	873 68 05-00	Nut Crownlock 5/16-18 unc	131	872 14 06-08	Bolt 3/8-16 x 1
23	532 17 75-63	Bracket Deflector Mower 42"	142	532 16 58-90	Arm Spring Brake Mower
24	532 10 53-04	Cap Sleeve 80 x 112 Blk Mower	143	532 15 71-09	Bracket Arm Idler 42"
25	532 12 37-13	Spring Torsion Deflector 2 52	144	532 15 86-34	Keeper Belt 42" Clutch
26	532 11 04-52	Nut Push Phos & Oil	145	532 16 58-88	Pulley Idler Flat
27	532 17 18-59	Shield Deflector Mower 42" Blk	146	532 17 19-77	Bolt Carriage Idler
28	819 11 10-16	Washer 11/32 x 5/8 x 16 Ga.	147	532 13 13-35	Spring Extension
29	532 13 14-91	Rod Hinge 42" 6 75 Wlg	148	532 16 90-22	Spring Return Idler
30	532 17 39-84	Screw Thd Rolling	149	532 16 58-98	Retainer Spring Yellow
31	532 18 76-90	Washer Spacer	150	819 09 12-16	Washer 9/32 x 3/4 x 16 Ga.
32	532 15 35-35	Pulley Mandrel 42"	152	532 16 96-76	Clutch Cable 42"
33	532 17 83-42	Nut Toplock Flng	158	817 72 04-08	Screw Hex Thd Cut 1/4-20 x 1/2
34	872 11 06-12	Bolt Rdhd 3/8-16 unc x 1-1/2 Gr. 5	159	872 14 06-14	Bolt Rdhd Sqn 3/8-16 unc x 1-3/4
36	532 13 14-94	Pulley Idler Flat	184	819 13 14-10	Washer 13/32 x 7/8 x 10 Ga.
37	819 13 13-16	Washer 13/32 x 13/16 x 16	185	532 18 82-34	Head Asm. Cable Clutch
40	873 90 06-00	Nut Lock 3/8-16 unc	--	532 13 07-94	Mandrel Assembly(Includes Housing, Shaft and Shaft Hardware Only-Pulley not Included)
44	532 14 00-88	Guard Mandrel LH Black	--	532 17 14-91	Replacement Mower, Complete (Std. Deck - Order separately gauge wheel components key nos. 116-119)
45	532 12 47-88	Spring Retainer 1" Zinc/cad			
46	532 13 77-29	Screw Hex Thd Cut 1/4-20 x 5/8 T			

NOTE: All component dimensions given in U.S. inches
 1 inch = 25.4 mm