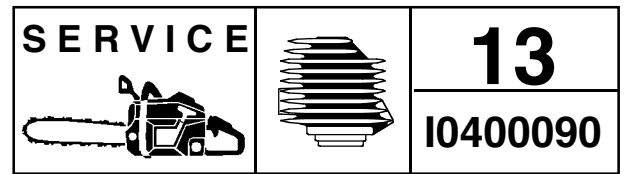


For Husqvarna Parts Call 606-678-9623 or 606-561-4983



IPL, 326 P4, 326 P5_{X-series}, Saw attachment, 2004-06, 106 27 59-63

326P4

326P5

X-series

Saw attachment

Spare parts

Ersatzteile

Pièces détachées

Reserve onderdelen

Repuestos

Reservdelar

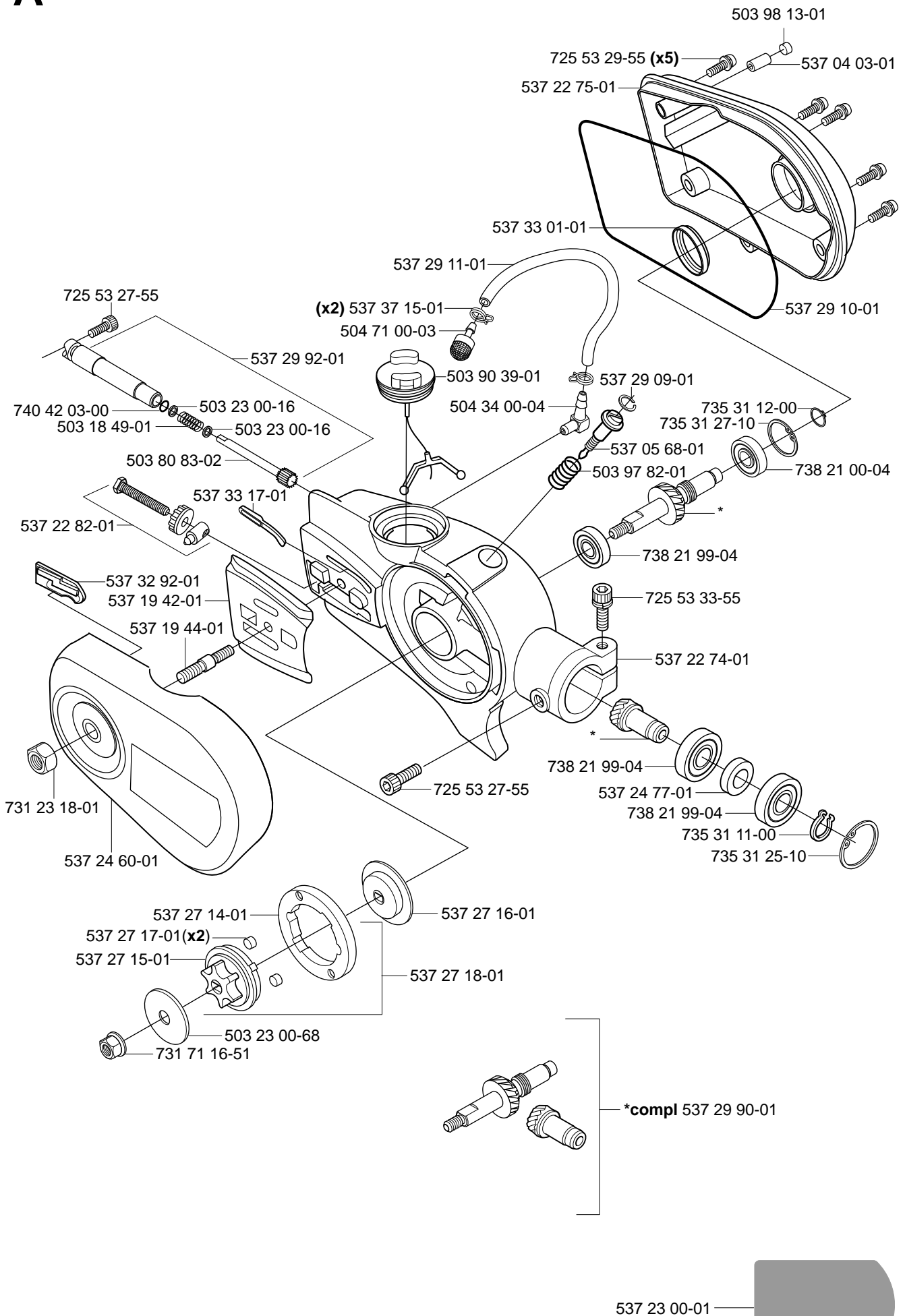
106 27 59-63

RECOMMENDED PARTS, ACCESSORIES, LUBRICANTS

326P4/P5x Pole Saw

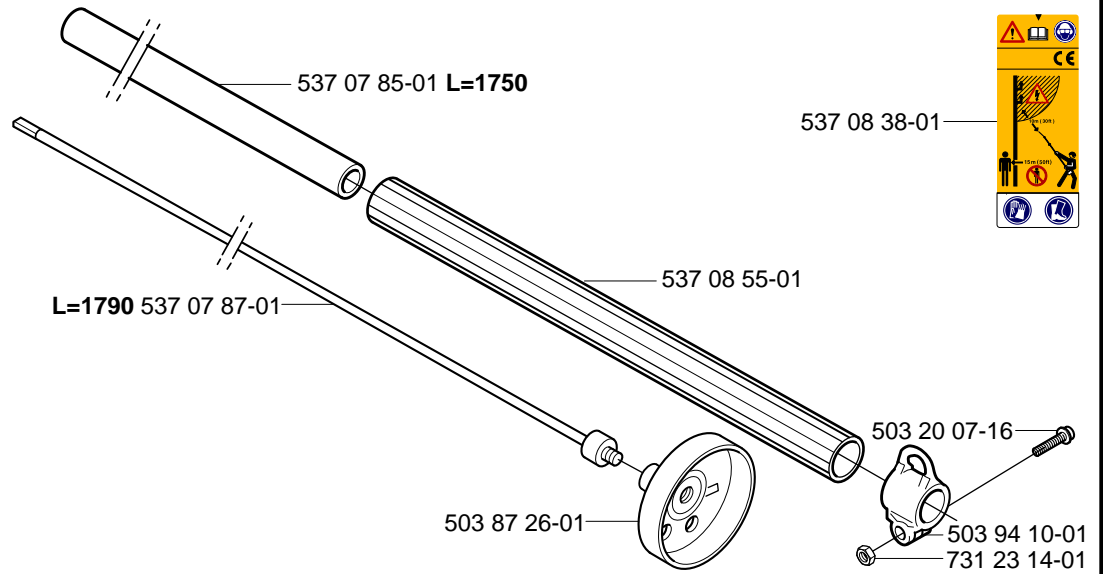
	<u>Item</u>	<u>Part Number</u>	<u>Description</u>
Normal Maintenance Parts	Air Filter	537 14 31-01	
	Air Filter Cover	537 06 63-01	
	Fuel Filter	503 44 32-01	
	Fuel Cap	537 09 16-01	
	Oil Cap	503 90 39-01	
	Air Purge Bubble	503 93 66-01	
	Start/Stop Switch	503 71 82-01	
	Ignition Module	537 02 53-01	
	Spark Plug	503 23 51-12	
	Starter Assy.	503 85 28-02	
	Starter Handle	537 00 84-01	
	Starter Cord	503 85 89-01	
	Starter Pulley	503 96 49-01	
	Cylinder Cover	537 14 54-01	
	Heat Protector, Cylinder	537 06 66-01	
	Muffler Cover	537 08 05-01	
	Bar Nut	731 23 18-01	
	Chain Sprocket	537 27 18-01	
	Chain	501 84 69-45	H36-45, 12" Chain
Bar	501 95 92-45	HL280-45, 12" Bar	
	<u>Item</u>	<u>Part Number</u>	<u>Description</u>
Lubricants	Bar and Chain	610 00 00-14	Bar and Chain Lubricant - 1 Quart
		610 00 00-34	Bar and Chain Lubricant - 1 Gallon
	XP Premium	610 00 00-85	XP Premium - 2.6 oz (1 Gallon Mix)
		610 00 00-82	XP Premium - 6.4 oz (2.5 Gallon Mix)
	<u>Item</u>	<u>Part Number</u>	<u>Description</u>
Protective Apparel	Protective Glasses	531 30 00-11	Xtreme Protective Glasses
	Protective Gloves	531 30 02-70	Master Grip Gloves, Medium
		531 30 02-71	Master Grip Gloves, Large
		531 30 02-72	Master Grip Gloves, X-Large
	Hearing Protectors	505 66 53-04	Husqvarna Headband Hearing Protectors
		505 66 53-78	Husqvarna Landscaper Radio Hearing Protectors - Digital FM
Helmets	505 67 53-15	Helmet System (Husqvarna)	

A

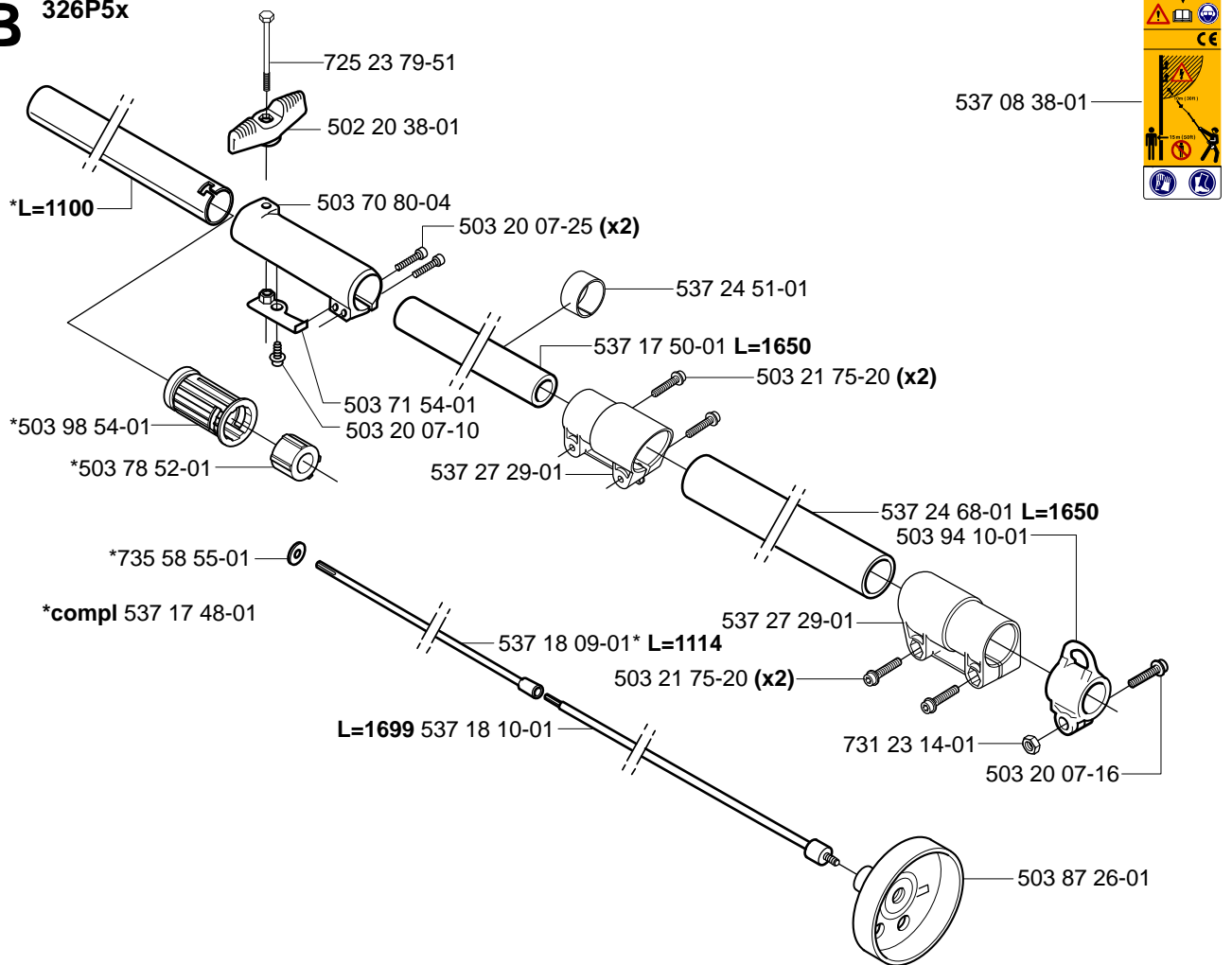


PAT. PEND.

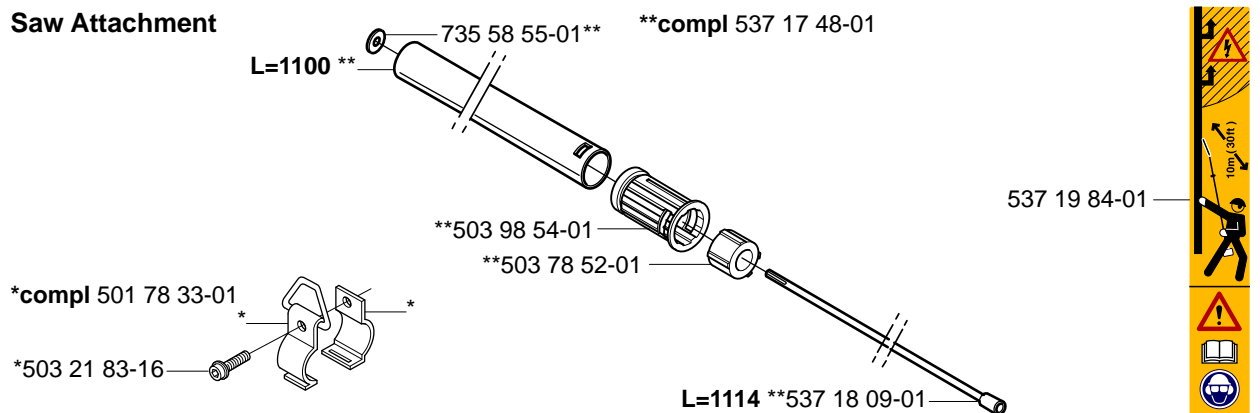
B 326P4



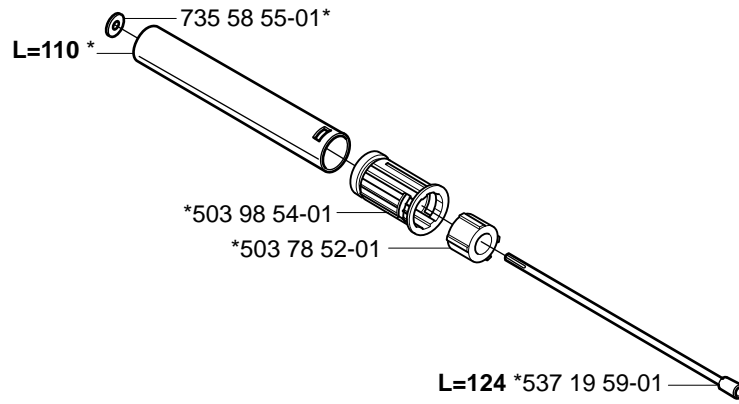
B 326P5x



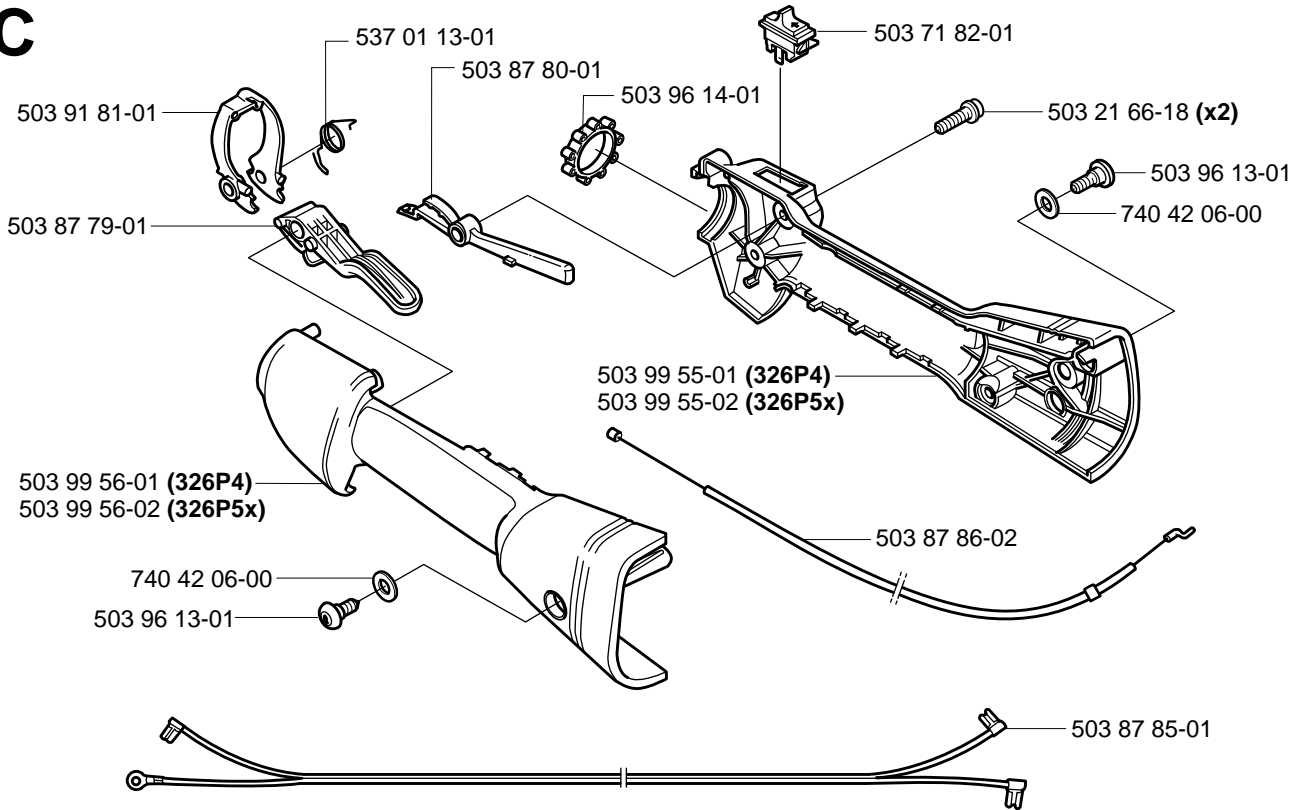
B Saw Attachment



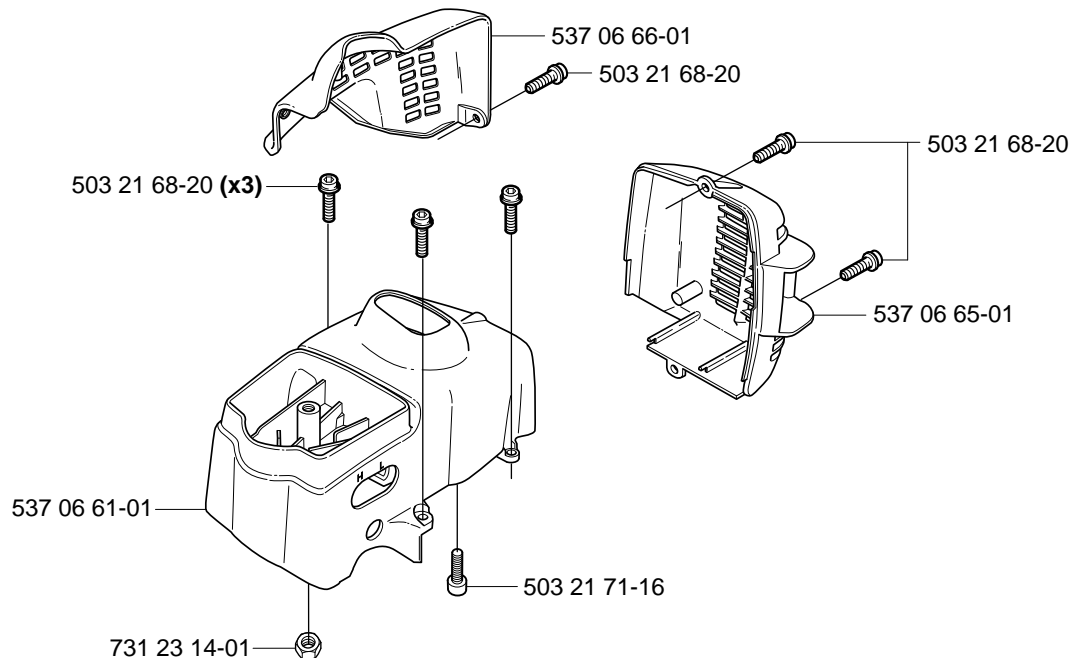
B Saw Attachment
*compl 537 19 58-01



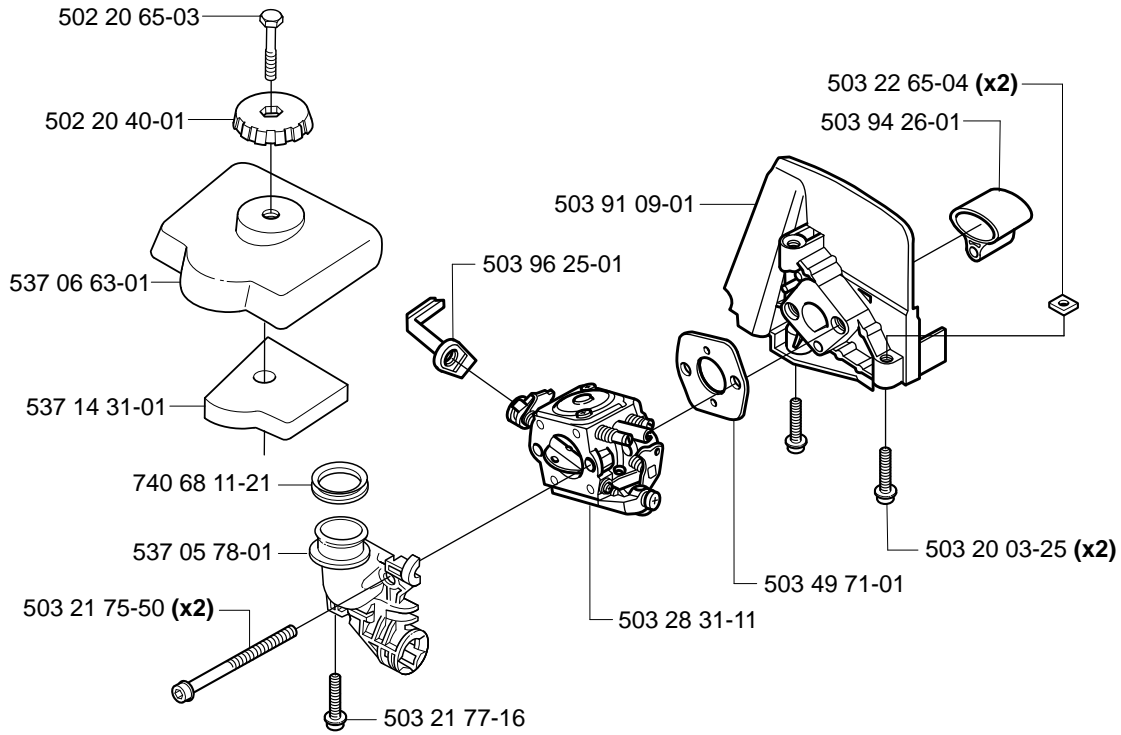
C



D



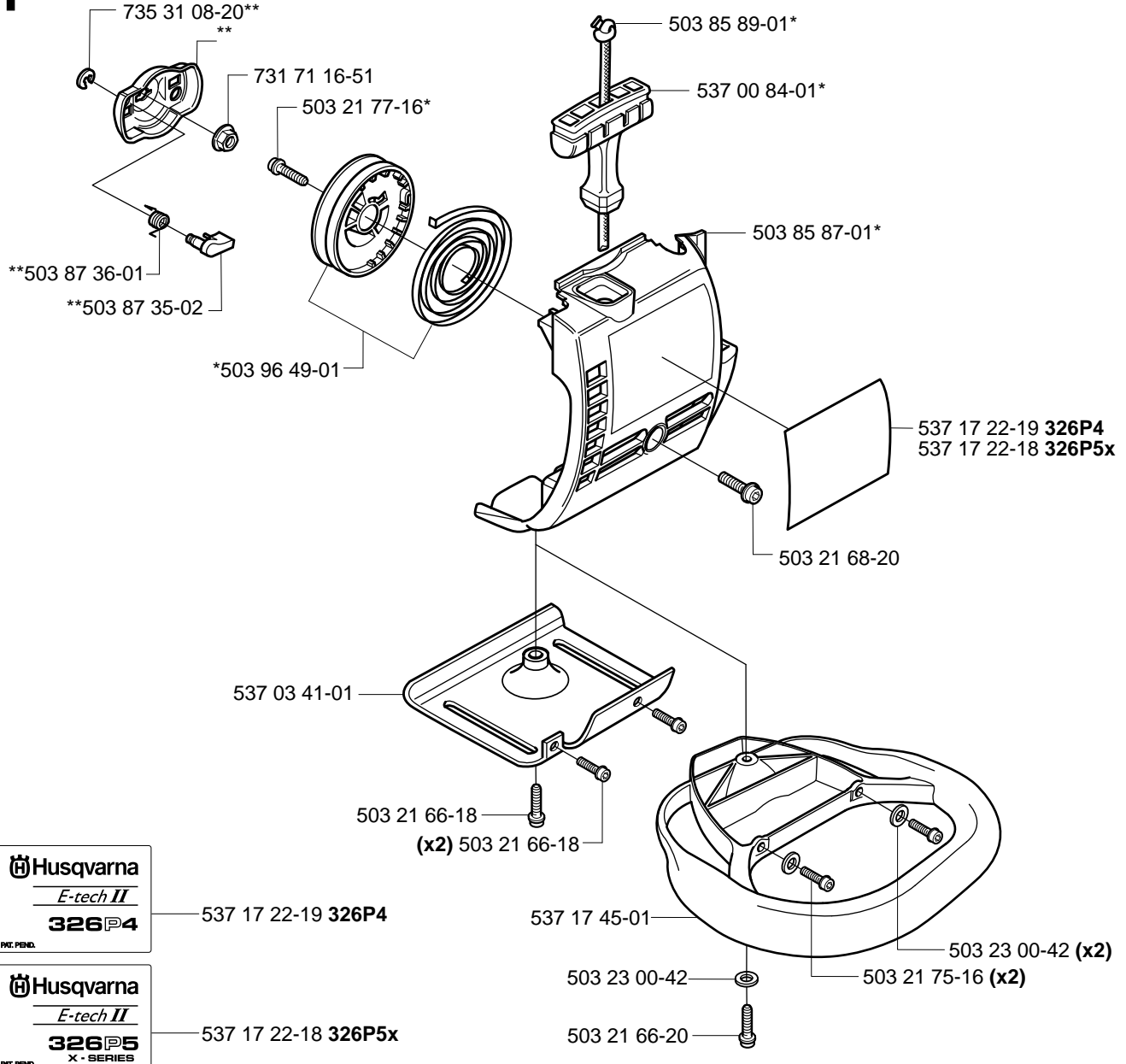
E



F

**compl 503 87 33-02

*compl 503 85 28-01

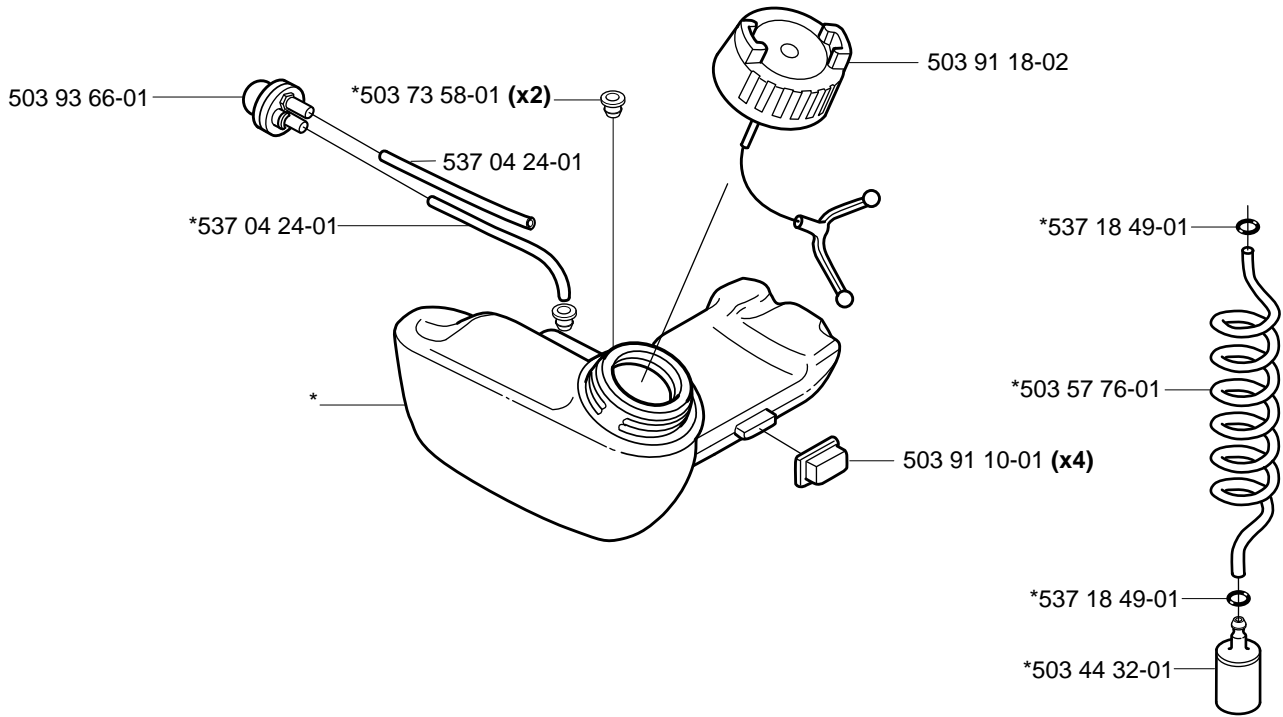


537 17 22-19 326P4



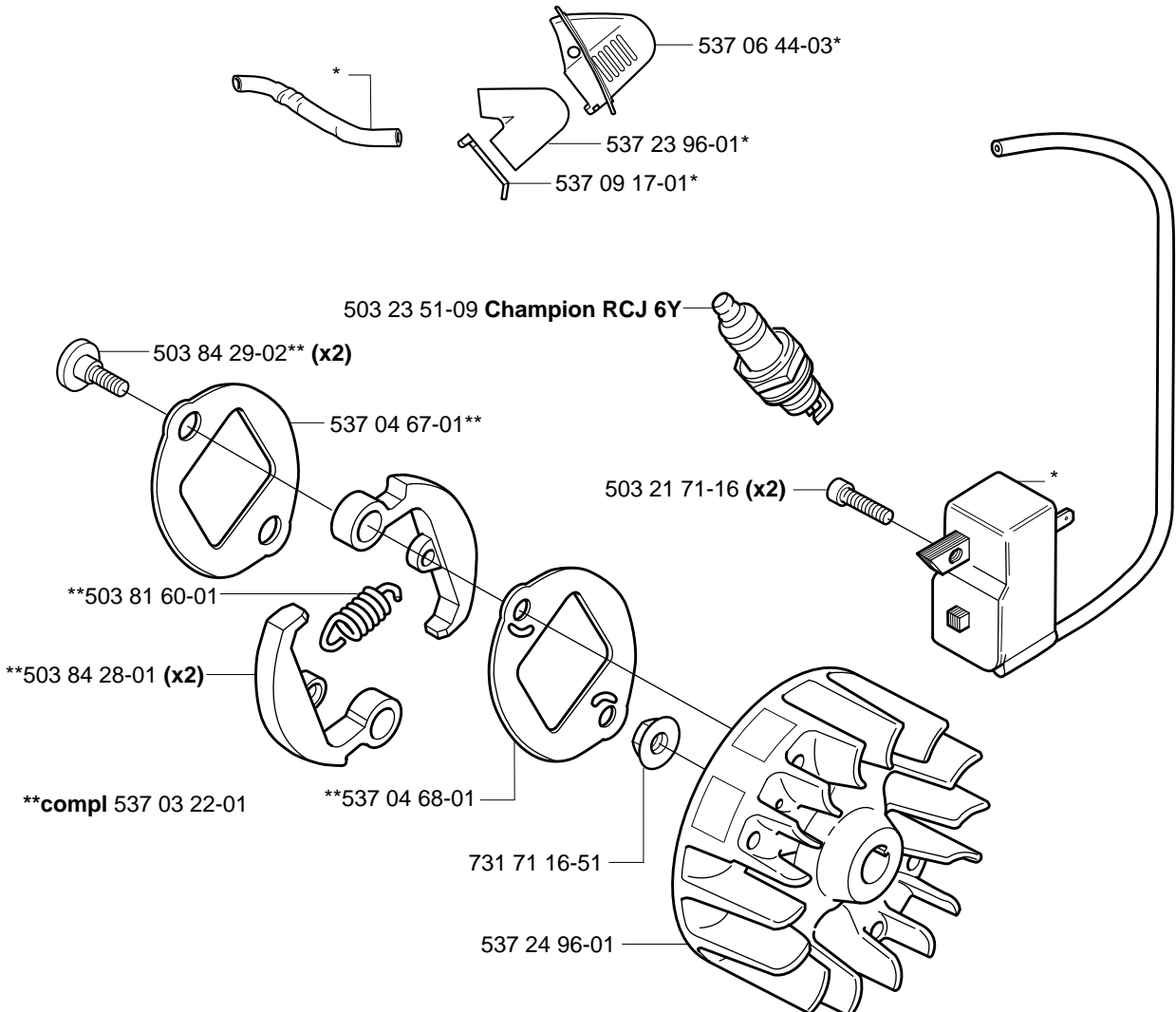
537 17 22-18 326P5x

G *compl 537 06 86-02



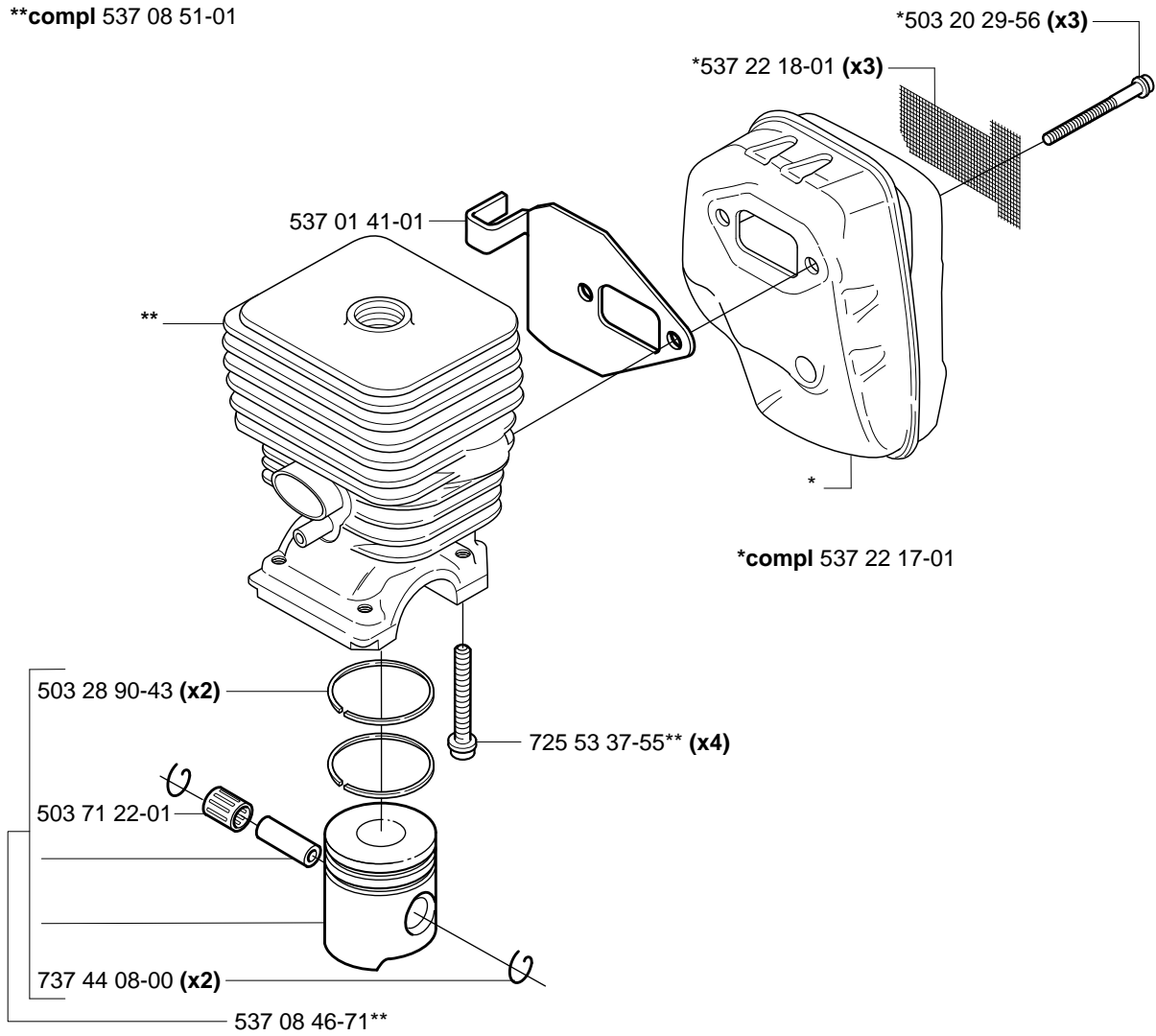
H

* compl 537 04 23-01



J

**compl 537 08 51-01

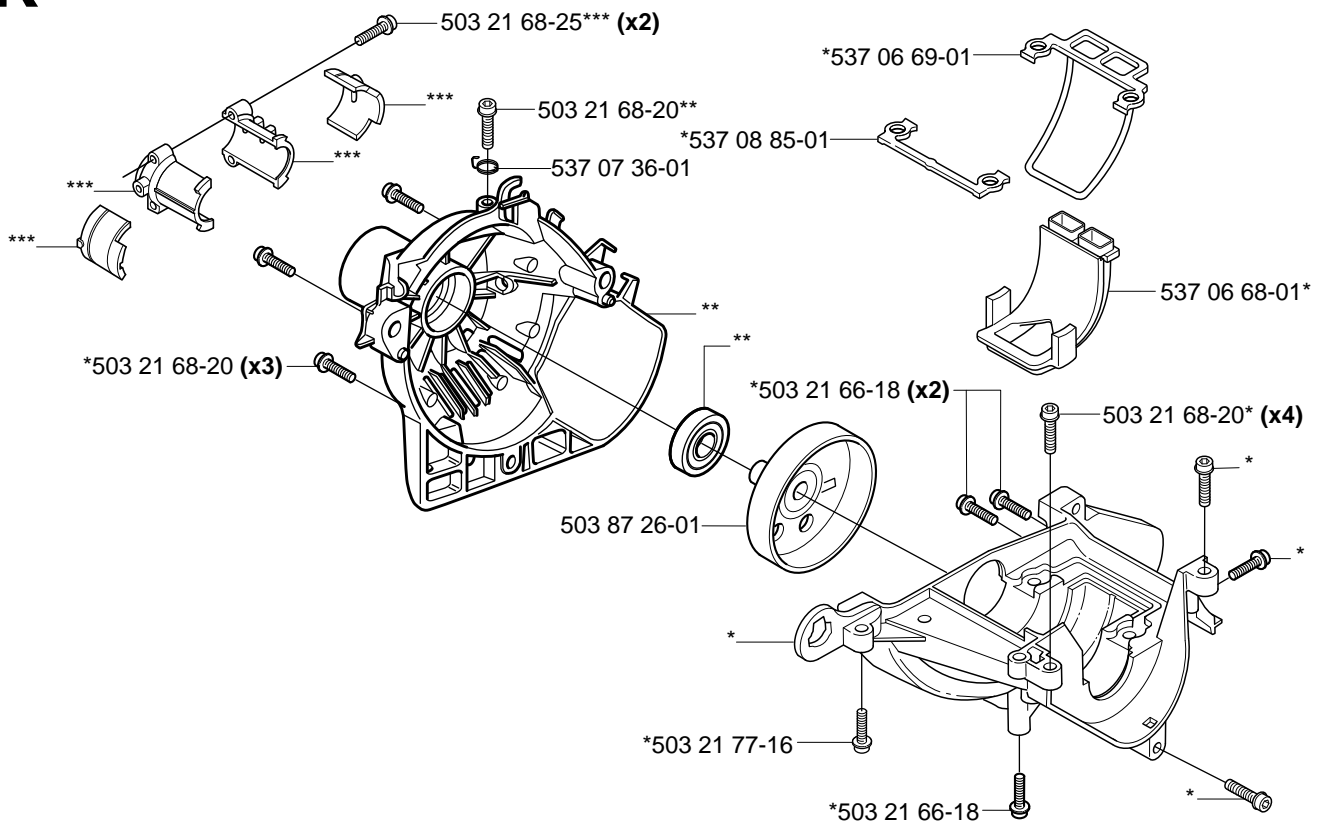


K

***compl 537 30 96-01

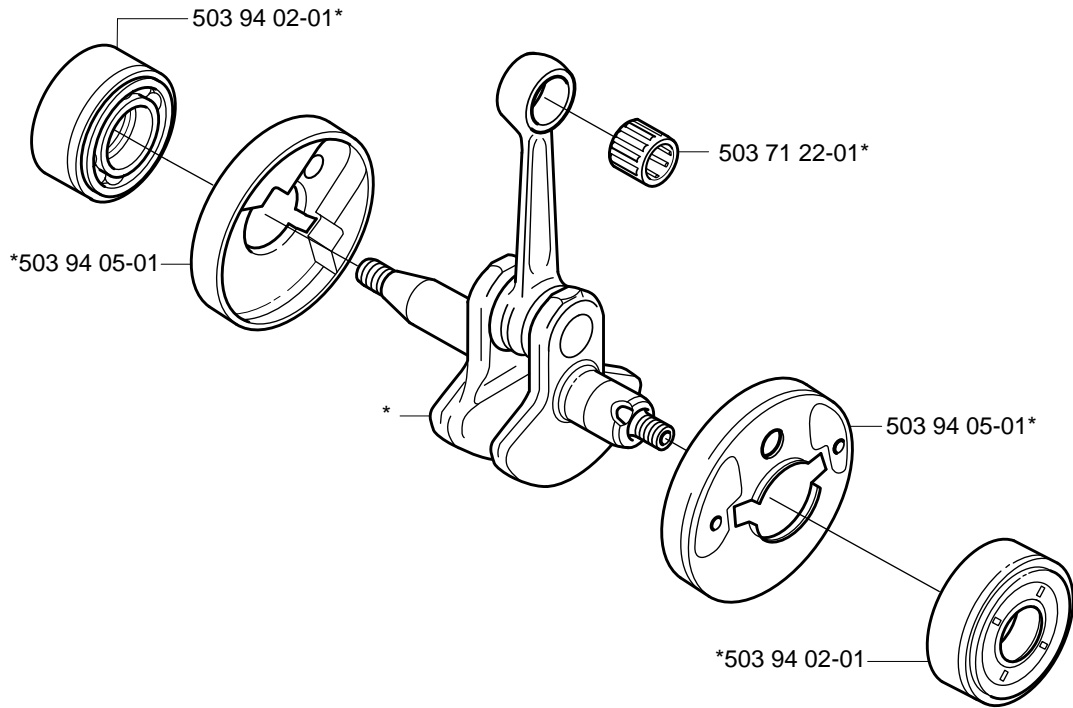
**compl 537 04 12-03

*compl 537 08 52-01



L

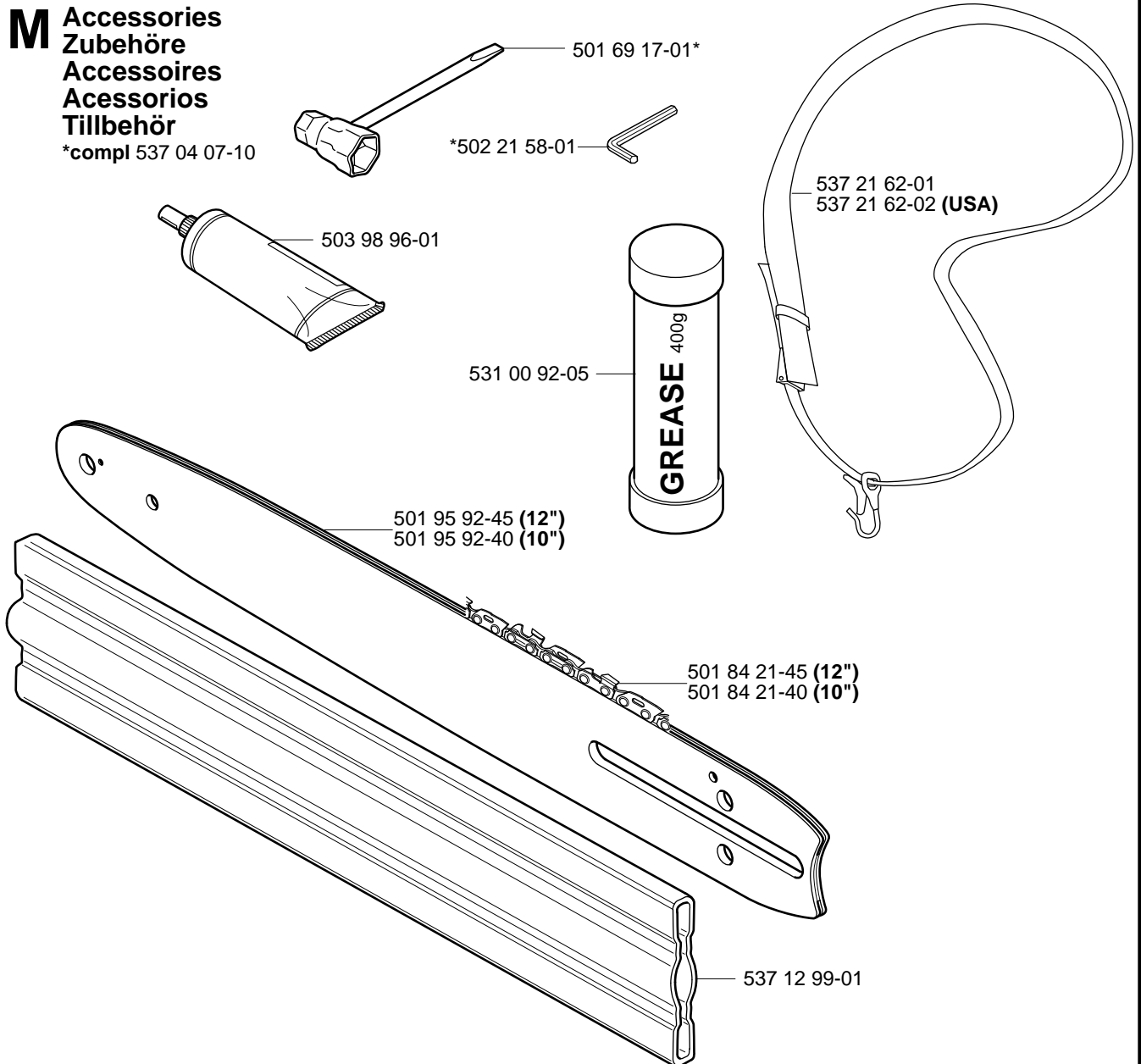
*compl 503 85 24-74



M

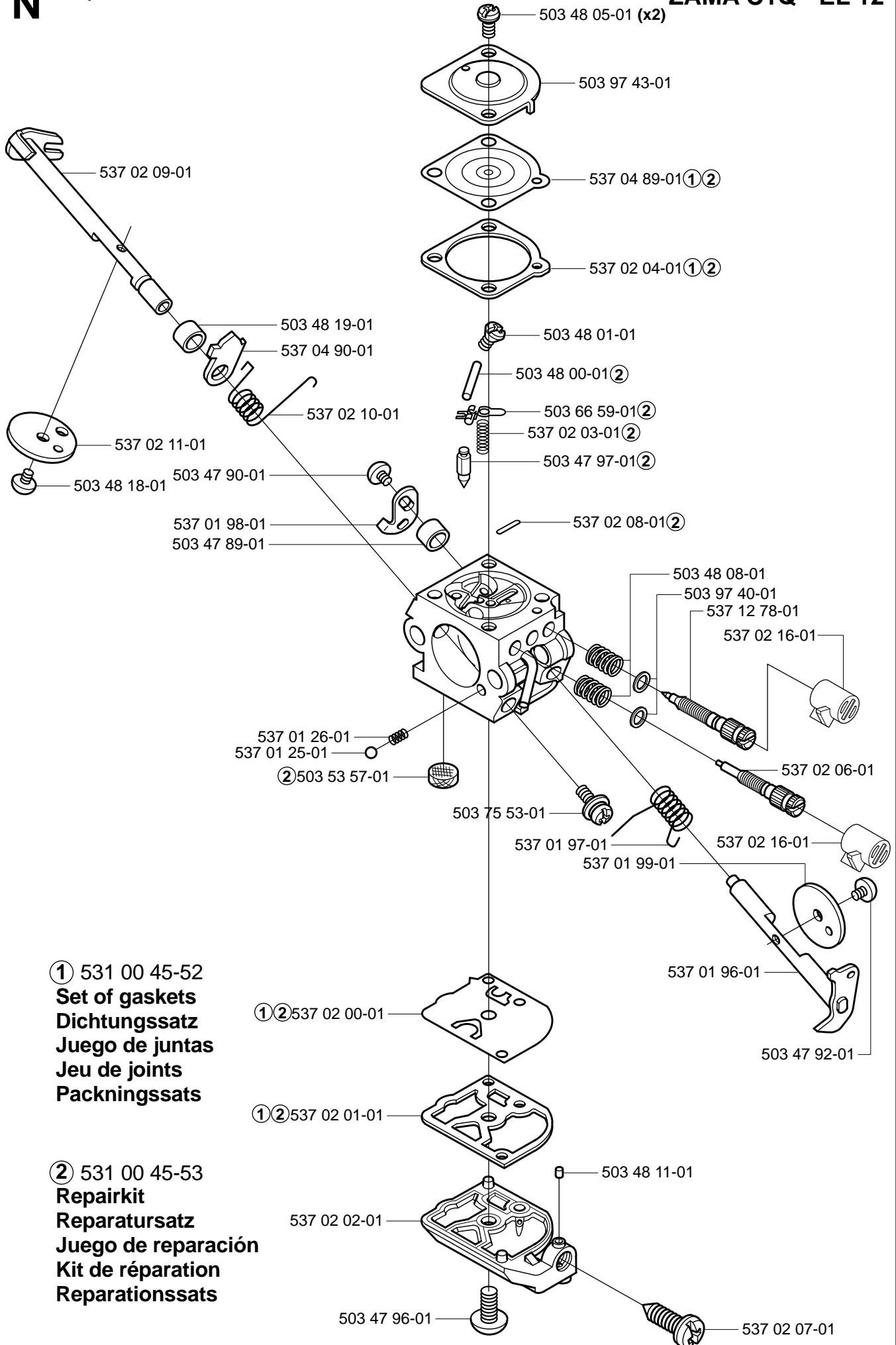
**Accessories
Zubehöre
Accessoires
Accesorios
Tillbehör**

*compl 537 04 07-10



N compl 503 28 31-11

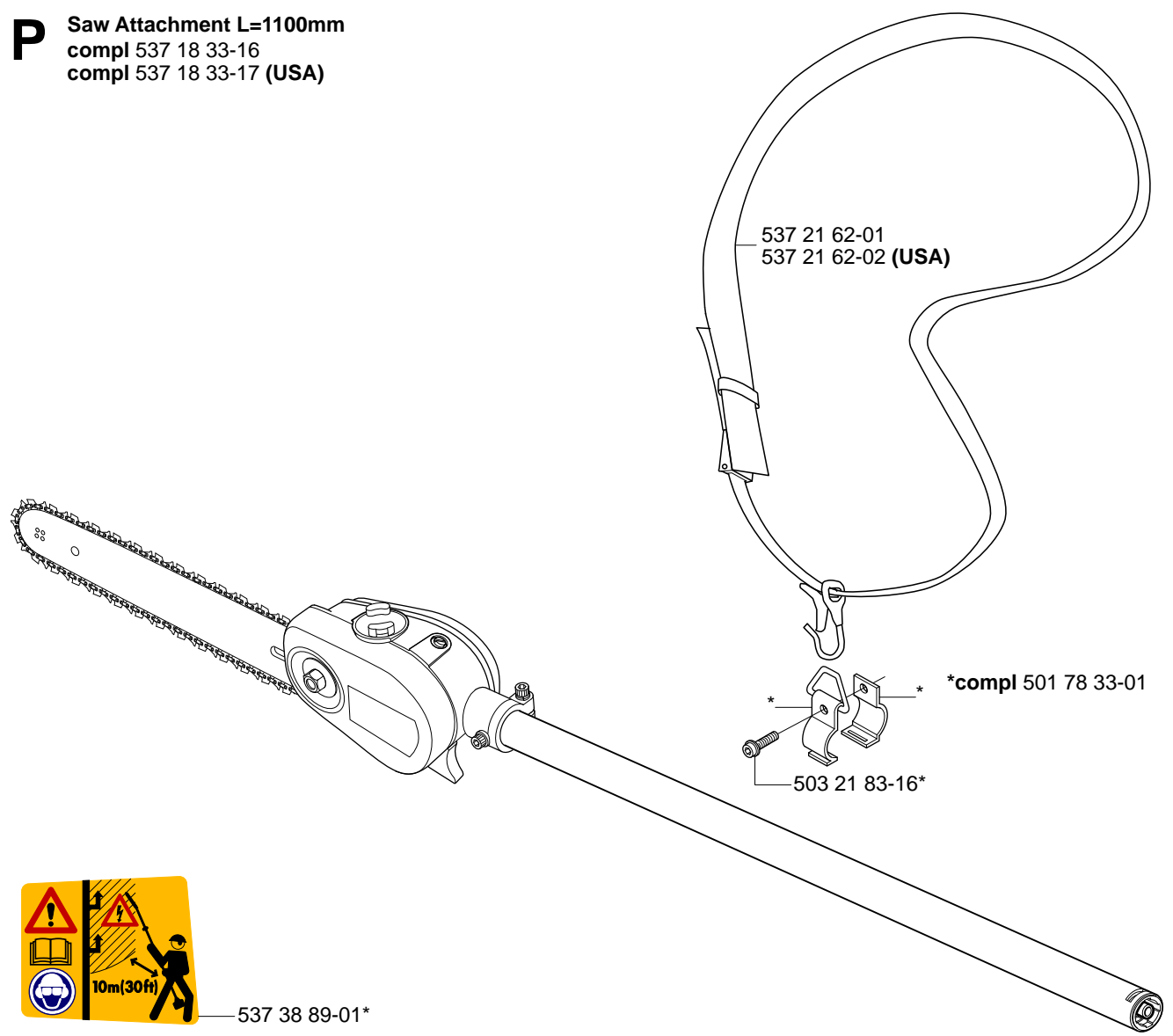
ZAMA C1Q - EL 12



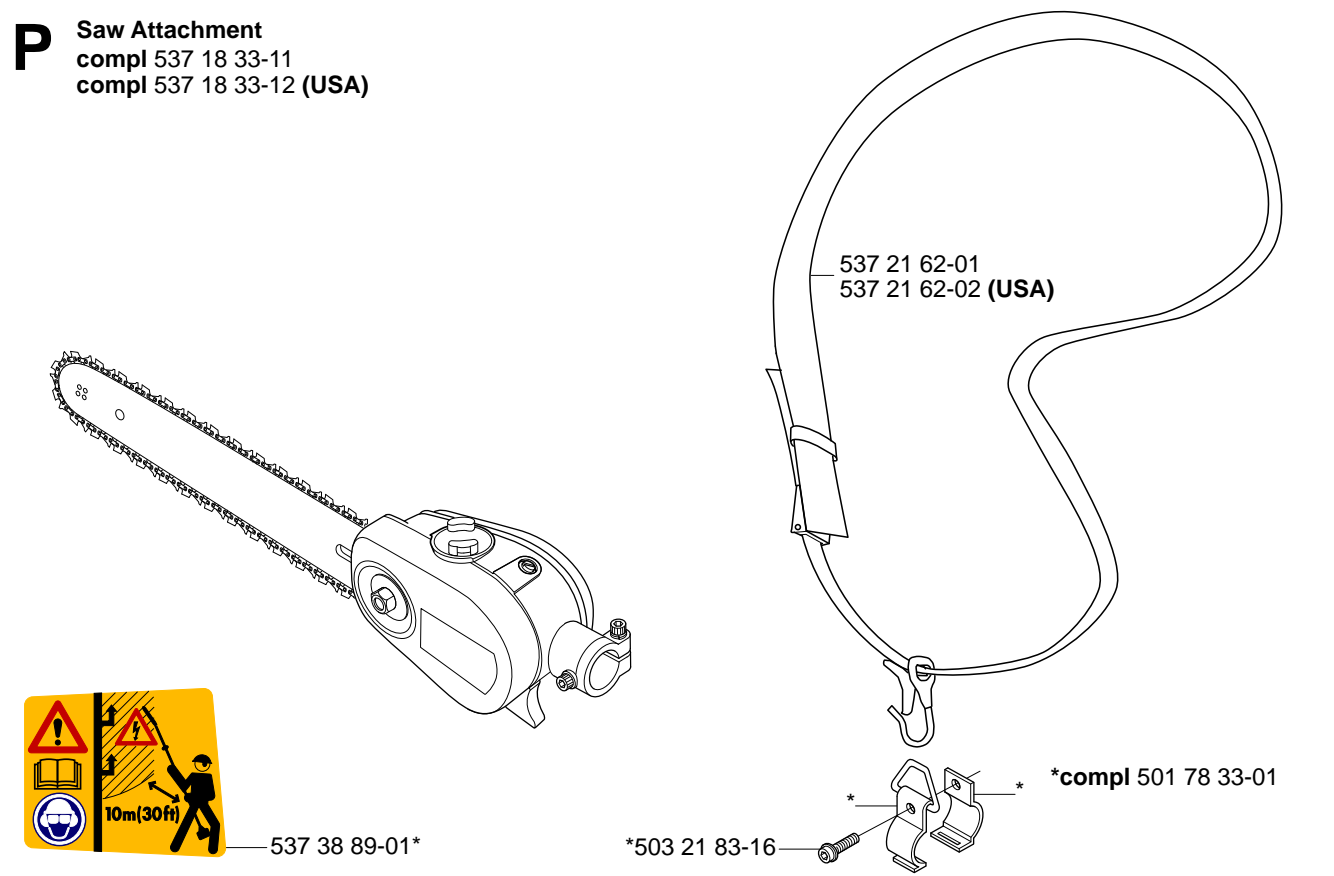
① 531 00 45-52
Set of gaskets
Dichtungssatz
Juego de juntas
Jeu de joints
Packningssats

② 531 00 45-53
Repairkit
Reparatursatz
Juego de reparación
Kit de réparation
Reparationssts

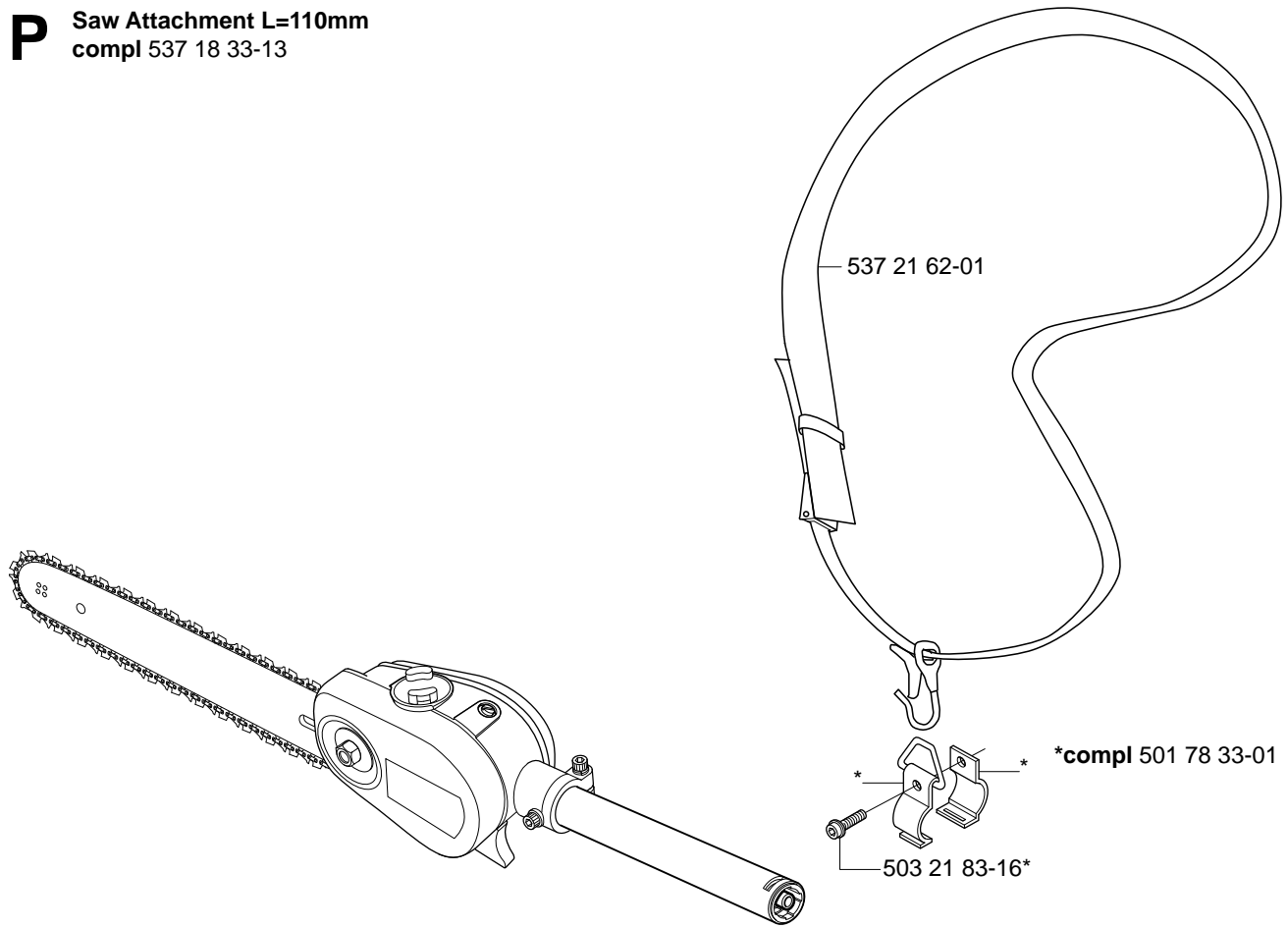
P Saw Attachment L=1100mm
compl 537 18 33-16
compl 537 18 33-17 (USA)



P Saw Attachment
compl 537 18 33-11
compl 537 18 33-12 (USA)



P Saw Attachment L=110mm
compl 537 18 33-13



537 38 89-01*

326P4/326P5x

Part Number	Description	Square	Part Number	Description	Square
501 69 17-01	COMBI TOOL	M	503 87 79-01	THROTTLE TRIGGER	C
501 78 33-01	HANGING BRACKET	BP	503 87 80-01	THROTTLE LOCK	C
501 84 21-40	CHAIN LOOP	M	503 87 85-01	WIRE	C
501 84 21-45	CHAIN 36(91VG)4SE	M	503 87 86-02	THROTTLE WIRE	C
501 95 92-40	HL280-40 GUIDE BAR	M	503 90 39-01	OIL CAP	A
501 95 92-45	HL280-45 GUIDE BAR	M	503 91 09-01	PARTITION	E
502 20 38-01	HANDLE	B	503 91 10-01	SUPPORT	G
502 20 40-01	KNOB	E	503 91 18-02	FUEL CAP	G
502 20 65-03	SCREW	E	503 91 81-01	LEVER	C
502 21 58-01	L-KEY WRENCH	M	503 93 66-01	AIR PURGE BUBBLE	G
503 18 49-01	SPRING	A	503 94 02-01	BEARING W/ HOLDER	L
503 20 03-25	SCREW	E	503 94 05-01	CUP	L
503 20 07-10	SCREW M5 X 10	B	503 94 10-01	HARNES HOLDER	B
503 20 07-16	SCREW	B	503 94 26-01	PIPE	E
503 20 07-25	SCREW	B	503 96 13-01	SCREW MT5X11	C
503 20 29-56	SCREW	J	503 96 14-01	VIBRATION DAMPER	C
503 21 66-18	SCREW	FCK	503 96 25-01	CHOKE CONTROL	E
503 21 66-20	SCREW	F	503 96 49-01	STARTER PULLEY ASSY.	F
503 21 68-20	SCREW	DFK	503 97 40-01	WASHER	N
503 21 68-25	SCREW	K	503 97 43-01	COVER	N
503 21 71-16	SCREW	DH	503 97 82-01	SPRING	A
503 21 75-16	SCREW	F	503 98 13-01	PLUG	A
503 21 75-20	SCREW	B	503 98 54-01	HOLDER	B
503 21 75-50	SCREW	E	503 98 96-01	GEAR CASE GREASE	M
503 21 77-16	SCREW	EFK	503 99 55-01	HANDLE	C
503 21 83-16	SCREW 5X14	BP	503 99 55-02	HANDLE	C
503 22 65-04	NUT	E	503 99 56-01	HANDLE	C
503 23 00-16	WASHER 5.1X8.5	A	503 99 56-02	HANDLE	C
503 23 00-42	WASHER	F	504 34 00-04	NIPPLE	A
503 23 00-68	FENDER WASHER	A	504 71 00-03	OIL PLUMMET	A
503 23 51-09	SPARK PLUG RCJ6Y	H	531 00 45-52	GASKET KIT (ZAMA GND39)	N
503 28 31-11	CARBURETOR	EN	531 00 45-53	CARBURETOR KIT (ZAMA RB69)	N
503 28 90-43	PISTION RING	J	531 00 92-05	GREASE 400 GRAMS	M
503 44 32-01	FUEL FILTER	G	537 00 84-01	STARTER HANDLE	F
503 47 89-01	SPACER	N	537 01 13-01	SPRING	C
503 47 90-01	SCREW	N	537 01 25-01	BALL	N
503 47 92-01	SCREW	N	537 01 26-01	SPRING	N
503 47 96-01	SCREW	N	537 01 41-01	GASKET	J
503 47 97-01	INLET NEEDLE	N	537 01 96-01	SHAFT	N
503 48 00-01	PIN FULCRUM	N	537 01 97-01	SPRING THROTTLE	N
503 48 01-01	SCREW	N	537 01 98-01	ARM	N
503 48 05-01	SCREW	N	537 01 99-01	THROTTLE FLAP	N
503 48 08-01	SPRING	N	537 02 00-01	PUMP DIAPHRAGM	N
503 48 11-01	PLUG	N	537 02 01-01	GASKET	N
503 48 18-01	SCREW	N	537 02 02-01	COVER	N
503 48 19-01	BUSHING	N	537 02 03-01	SPRING	N
503 49 71-01	GASKET	E	537 02 04-01	GASKET	N
503 53 57-01	STRAINER	N	537 02 06-01	NEEDLE HIGH SPEED	N
503 57 76-01	FUEL HOSE	G	537 02 07-01	SCREW	N
503 66 59-01	LEVER	N	537 02 08-01	PIN	N
503 70 80-04	ADAPTER	B	537 02 09-01	CHOKE SHAFT	N
503 71 22-01	BEARING	JL	537 02 10-01	SPRING	N
503 71 54-01	BRACKET	B	537 02 11-01	DISC	N
503 71 82-01	START/STOP SWITCH	C	537 02 16-01	CAP	N
503 73 58-01	FUEL TANK BUSHING	G	537 03 22-01	CLUTCH	H
503 75 53-01	SCREW	N	537 03 41-01	PLATE	F
503 78 52-01	BUSHING	B	537 04 03-01	VALVE	A
503 80 83-02	PUMP PISTON	A	537 04 07-10	ACCESSORY KIT	M
503 81 60-01	SPRING	H	537 04 12-03	CLUTCH COVER 300 SERIES TRIM	K
503 84 28-01	CLUTCH	H	537 04 23-01	IGNITION MODULE	H
503 84 29-02	SCREW	H	537 04 24-01	HOSE	G
503 85 24-74	CRANKSHAF	L	537 04 67-01	WASHER	H
503 85 28-01	STARTER ASSY	F	537 04 68-01	WASHER	H
503 85 87-01	STARTER HOUSING	F	537 04 89-01	DIAPHRAGM	N
503 85 89-01	STARTER ROPE	F	537 04 90-01	LEVER	N
503 87 26-01	CLUTCH DRUM	BK	537 05 68-01	SCREW	A
503 87 33-02	PAWL ASSY COMPLETE	F	537 05 78-01	PIPE	E
503 87 35-02	STARTER PAWL	F	537 06 44-03	PROTECTOR	H
503 87 36-01	SPRING	F	537 06 61-01	CYLINDER COVER	D

326P4/326P5x

Part Number	Description	Square	Part Number	Description	Square
537 06 63-01	AIR FILTER COVER	E	537 23 96-01	SPARK PLUG CONNECTION	H
537 06 65-01	MUFFLER COVER	D	537 24 51-01	SEALING	B
537 06 66-01	HEAT PROTECTOR, CYLINDER	D	537 24 60-01	CLUTCH COVER, PS	A
537 06 68-01	CRANKCASE	K	537 24 68-01	PIPE	B
537 06 69-01	GASKET	K	537 24 77-01	WASHER	A
537 06 86-02	TANK UNIT	G	537 24 96-01	FLYWHEEL	H
537 07 36-01	HOLDER	K	537 27 14-01	PLATE, SPROCKET	A
537 07 85-01	TUBE	B	537 27 15-01	SPROCKET	A
537 07 87-01	SHAFT P4/P5	B	537 27 16-01	WAHER, INSIDE SPROCKET	A
537 08 38-01	DECAL	B	537 27 17-01	PIN, SPROCKET	A
537 08 46-71	PISTON	J	537 27 18-01	SPROCKET, COMPL	A
537 08 51-01	CYLINDER	J	537 27 29-01	LOCKING SLEEVE	B
537 08 52-01	CRANKCASE	K	537 29 09-01	C-CPLIP, SCREW	A
537 08 55-01	GRIP	B	537 29 10-01	SEAL, OIL RESERVOIR - LARGE	A
537 08 85-01	GASKET	K	537 29 11-01	HOSE, OIL-PS	A
537 09 17-01	PLATE	H	537 29 90-01	GEARS, SAW ATTACHMENT	A
537 12 78-01	LOW SPPED NEEDLE	N	537 29 92-01	OIL PUMP, COMPL	A
537 12 99-01	PROTECTOR	M	537 30 96-01	SET	K
537 14 31-01	AIR FILTER	E	537 32 92-01	SPACER, CLUTCH COVER	A
537 17 22-18	DECAL	F	537 33 01-01	SEAL, OIL RESERVOIR - SMALL	A
537 17 22-19	326P4 STARTER HOUSING DECAL	F	537 33 17-01	GROMENT, OIL	A
537 17 45-01	PROTECTOR	F	537 37 15-01	CLIP, OIL HOSE	A
537 17 48-01	TUBE	B	537 38 89-01	DECAL, WARNING	P
537 17 50-01	TUBE	B	725 23 79-51	SCREW	B
537 18 09-01	SHAFT	B	725 53 27-55	SCREW MC6S 5X12	A
537 18 10-01	SHAFT	B	725 53 29-55	SCREW MC6S 5X16	A
537 18 33-11	HARNESS HOLDER, COMPL	P	725 53 33-55	SCREW MC6S 5X25	A
537 18 33-12	POLE SAW HEAD W/12" BAR & CHN	P	725 53 37-55	SCREW MC6S 5X35	J
537 18 33-13	SAW ATTACHMENT L=110 MM	P	731 23 14-01	NUT	BD
537 18 33-17	DX POLE SAW ATTACHMENT	P	731 23 18-01	NUT	A
537 18 49-01	O-RING	G	731 71 16-51	FLANGE NUT	AFH
537 19 42-01	PLATE, TENSIONER	A	735 31 08-20	E-RING 4	F
537 19 44-01	BAR STUD	A	735 31 11-00	RETAINING RING	A
537 19 58-01	TUBE	B	735 31 12-00	RETAINING RING SGA 10	A
537 19 59-01	SHAFT	B	735 31 25-10	RETAINING RING	A
537 19 84-01	DECAL, WARNING	B	735 31 27-10	RETAINING RING SGH 26	A
537 21 62-01	STRAP	MP	735 58 55-01	WASHER	B
537 21 62-02	SHOULDER STRAP	MP	737 44 08-00	CLIP RING	J
537 22 17-01	MUFFLER	J	738 21 00-04	BEARING	A
537 22 18-01	SCREEN	J	738 21 99-04	BEARING	A
537 22 74-01	CASE, SAW ATTACHMENT	A	740 42 03-00	O-RING	A
537 22 75-01	COVER, OIL RESERVOIR	A	740 42 06-00	O-RING 8X1.6	C
537 22 82-01	CHAIN TENTIONER, POLE SAW	A	740 68 11-21	SEALING	E
537 23 00-01	DECAL, CLUTCH COVER -PS	A			

IPL, 326 P4, 326 P5X-series, Saw attachment, 2004-06, 106 27 59-63