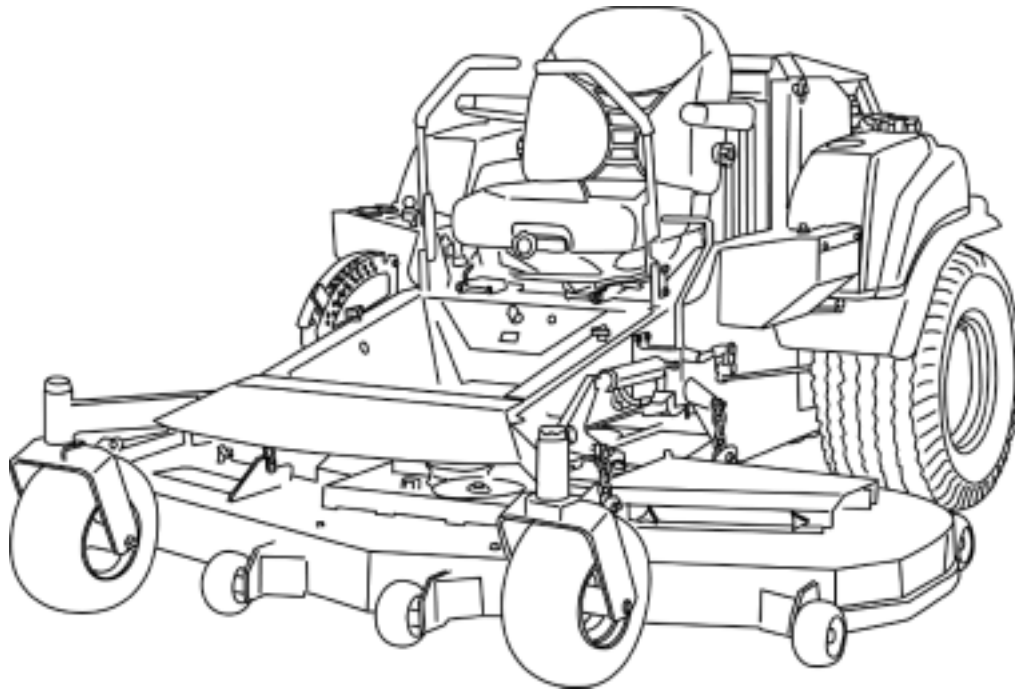


For Husqvarna Parts Call 606-678-9623 or 606-561-4983



## Parts Manual

## Models:

968999214 / BZ6134D

968999216 / BZ7234D

968999218 / BZ6127D

For Serial No. 033600000 & Higher

MANUAL NO. 539109207 REV. 02 (1/14/04)

[www.mymowerparts.com](http://www.mymowerparts.com)

For Husqvarna Parts Call 606-678-9623 or 606-561-4983

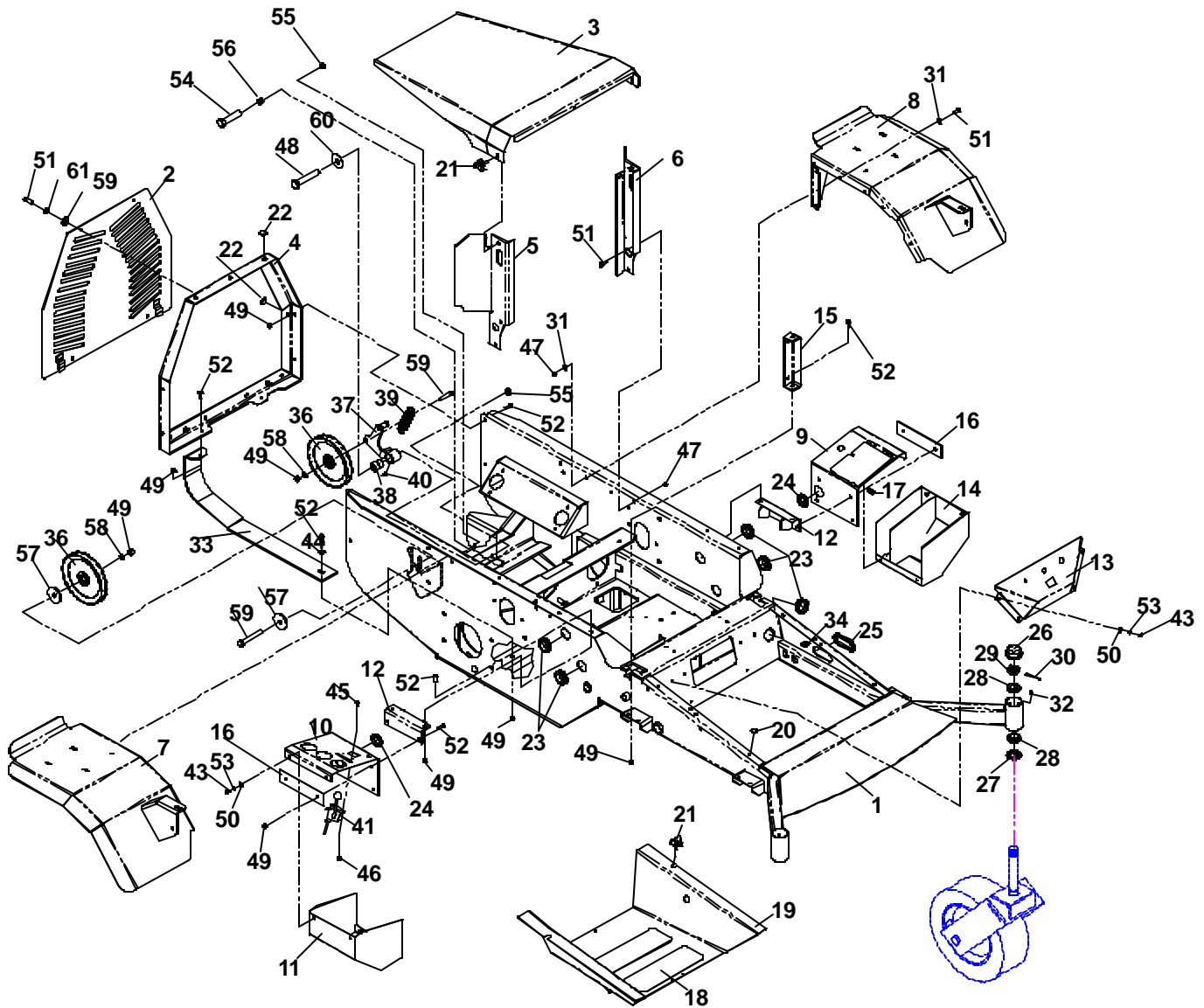
©2004 Husqvarna. All Rights Reserved.  
Beatrice, NE. Printed in U.S.A.

## TABLE OF CONTENTS

---

	<u>PAGE</u>
MAIN FRAME ASSEMBLY .....	4
ENGINE ASSEMBLY, 27 H.P. ....	6
ENGINE ASSEMBLY, 34 H.P. ....	8
RADIATOR, 27 H.P. ....	10
RADIATOR, 34 H.P. ....	11
MOTION CONTROL.....	12
HYDRAULIC ASSEMBLY .....	14
HYDRAULIC HOSES & FITTINGS .....	16
FUEL GROUP .....	18
BRAKE GROUP LINKAGE .....	20
SEAT ASSEMBLY .....	22
FOOT PEDAL .....	24
CASTER ASSEMBLY .....	25
DECK LIFT (MANUAL).....	26
DECK LIFT (POWER) .....	28
DECK ASSEMBLY, 61" .....	30
DECK ASSEMBLY, 72" .....	32
DECALS .....	34
ELECTRICAL GROUP .....	36
WIRE HARNESS .....	38
WIRING SCHEMATIC .....	40

# MAIN FRAME ASSEMBLY



**MAIN FRAME ASSEMBLY**

**ITEM PART NO. QTY. DESCRIPTION**

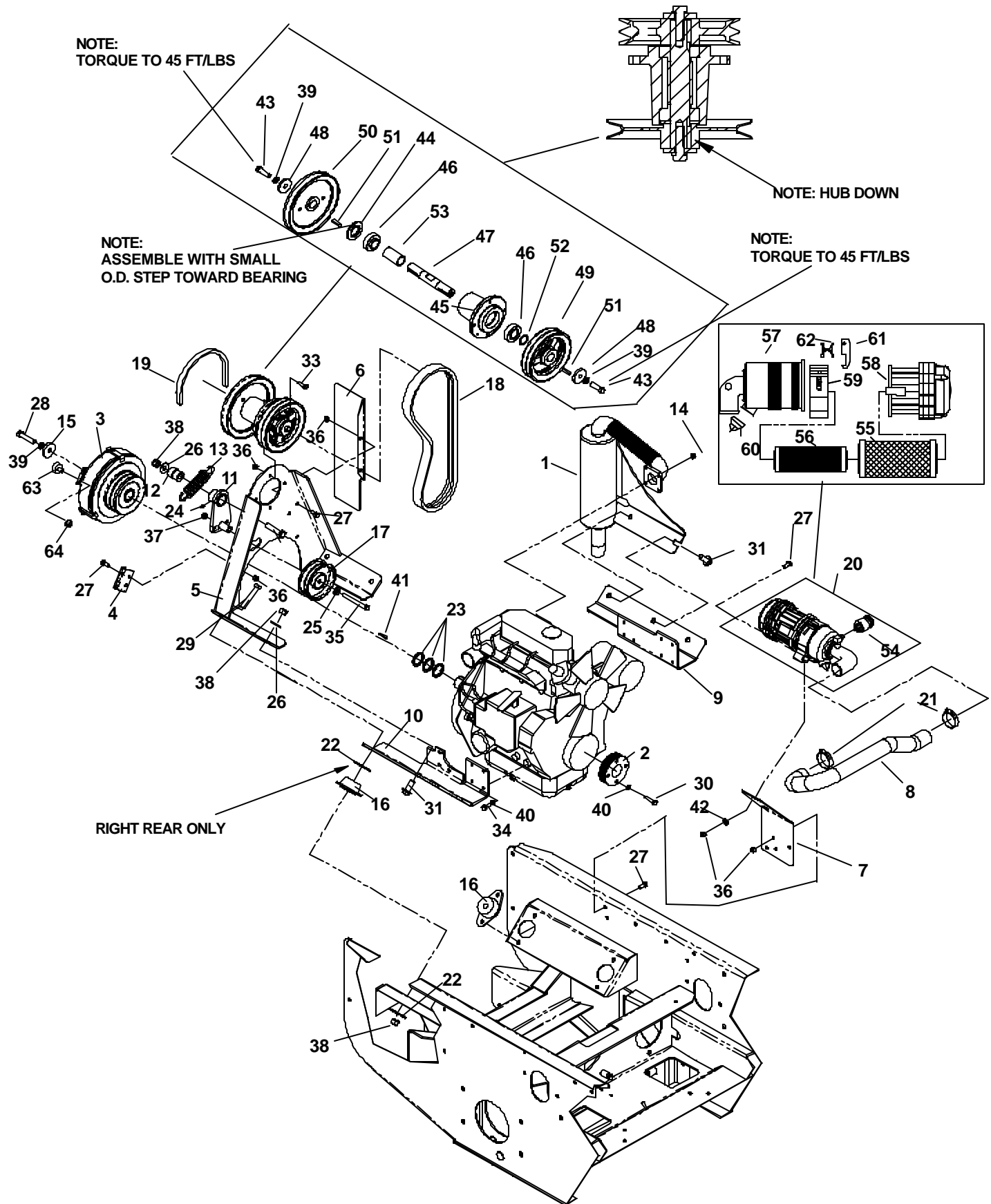
1	.....539106205	..... 1	..... Frame w/decals
2	.....539108362	..... 1	..... Panel, back, ..... w/decals
3	.....539107853	..... 1	..... Hood
4	.....539107847	..... 1	..... Frame, rear
5	.....539106405	..... 1	..... Support, right
6	.....539106406	..... 1	..... Support, left
7	.....539107205	..... 1	..... Fender, right
8	.....539107206	..... 1	..... Fender, left
9	.....539107781	..... 1	..... Panel, top left
10	...539107778	..... 1	..... Console, top
11	...539107776	..... 1	..... Console, bottom
12	...539107788	..... 2	..... Bracket, angle
13	...539107669	..... 1	..... Console
14	...539107791	..... 1	..... Console, bottom
15	...539108055	..... 2	..... Support
16	...539107867	..... 2	..... Stiffener
17	...539107232	..... 2	..... Latch, magnetic
18	...539977778	..... 3	..... Pad, abrasive
19	...539104721	..... 1	..... Pan, floor
20	...539102587	..... 6	..... Stop, rubber
21	...539104411	..... 4	..... Knob w/stud
22	...539107858	..... 12	..... Grommet, bumper
23	...539103684	..... 7	..... Grommet
24	...539107656	..... 2	..... Grommet
25	...539107210	..... 1	..... Grommet
26	...539102535	..... 2	..... Cap, grease
27	...539102851	..... 2	..... Seal
28	...539102543	..... 4	..... Bearing
29	...539102852	..... 2	..... Nut, 1-14, slotted jam
30	...539102889	..... 2	..... Pin, cotter, 1/8 x 2
31	...539990188	..... 28	..... Washer, 5/16, SAE
32	...539101474	..... 2	..... Zerk
33	...539106300	..... 2	..... Plate, skid
34	...539104763	..... 2	..... `U' clip

**ITEM PART NO. QTY. DESCRIPTION**

36	...539106348	..... 2	..... Idler
37	...539106418	..... 1	..... Arm
38	...539106417	..... 1	..... Bushing
39	...539103256	..... 1	..... Spring
40	...539976998	..... 1	..... Zerk
41	...539102732	..... 1	..... Cable, throttle
43	...539990362	..... 12	..... Screw, 1/4-20 x 5/8, ..... self-tapping
44	...539990517	..... 2	..... Washer, 3/8
45	...539990411	..... 2	..... Bolt, #10-24 x 1/2
46	...539976977	..... 2	..... Nut, #10-24, nyloc
47	...539990717	..... 18	..... Nut, 5/16-18, nyloc
48	...539108346	..... 1	..... Bolt, 1/2-20 x 2 1/2
49	...539976979	..... 20	..... Nut, 3/8-16, nyloc
50	...539990598	..... 12	..... Washer, 1/4
51	...539990209	..... 22	..... Bolt, 5/16-18 x 1
52	...539990563	..... 18	..... Bolt, 3/8-16 x 1
53	...539990052	..... 12	..... Lockwasher, 1/4
54	...539107026	..... 1	..... Bolt, 1/2-20 x 2, Gr.8,
55	...539101331	..... 2	..... Nut, 1/2-20, nyloc,
56	...539990258	..... 1	..... Nut, 1/2-20,
57	...539106504	..... 2	..... Washer, heavy
58	...539990122	..... 2	..... Washer, 3/8
59	...539990692	..... 4	..... Washer, 5/16
60	...539990550	..... 1	..... Washer, 1/2
61	...539990187	..... 4	..... Lockwasher, 5/16
	.....539976856	..... 6	..... Wire tie (Not shown)

# ENGINE ASSEMBLY

27 H.P.



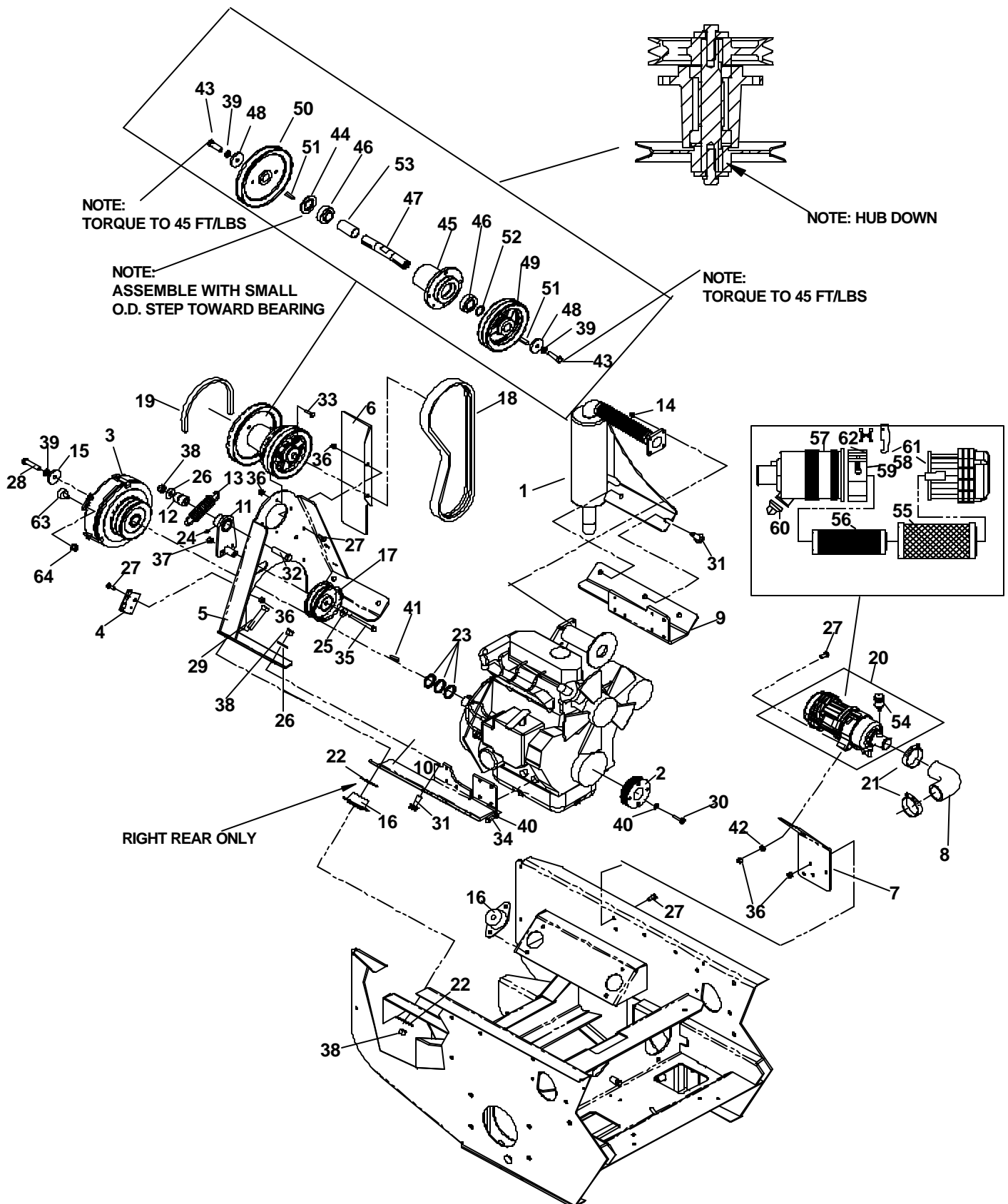
**ENGINE ASSEMBLY**

**27 H.P.**

ITEM	PART NO.	QTY.	DESCRIPTION	ITEM	PART NO.	QTY.	DESCRIPTION
1	539109569	1	Muffler	32	539108346	1	Bolt, 1/2-13 x 2 1/2
2	539106335	1	Sheave, engine	33	539990209	4	Bolt, 5/16-18 x 1
3	539110668	1	Clutch	34	539300600	13	Bolt, M8 x 1.25 x 20
4	539110654	1	Restraint	35	539108271	1	Bolt, 3/8-16 x 3 1/2
5	539106306	1	Jack mount	36	539990717	10	Nut, 5/16-18, nyloc
6	539107864	1	Shield, heat	37	539976979	1	Nut, 3/8-16, nyloc
7	539107841	1	Bracket, air filter	38	539101331	7	Nut, 1/2-13, nyloc
8	539107860	1	Air filter hose	39	539990247	3	Lockwasher, 7/16
9	539107861	1	Engine mount, left	40	539990187	17	Lockwasher, 5/16
10	539107862	1	Engine mount, right	41	539100152	1	Key, 1/4 sq. x 1 7/8
11	539106422	1	Arm	42	539990692	2	Washer, 5/16
12	539106417	1	Bushing	43	539100141	2	Bolt, 7/16-20 x 1 1/2
13	539110655	1	Spring	44	539107272	1	Combo spacer
14	539109801	4	Nut, M8-1.25, stover top lock	45	539104852	1	Housing
15	539106504	1	Washer, heavy	46	539102677	2	Bearing
16	539106291	4	Isolator mount, engine	47	539106344	1	Spindle
17	539107994	1	Idler	48	539106504	2	Washer, heavy
18	539106338	1	Belt, primary	49	539106347	1	Sheave
19	539106339	1	Belt, mule	50	539105485	1	Pulley
20	539106376	1	Air filter assembly	51	539101995	2	Key, 1/4" sq. x 1 1/8"
21	539106384	2	Clamp	52	539102244	1	Machine bushing, 18 ga
22	539104959	5	Isolator washer	53	539102676	1	Spacer
23	539108052	3	Bushing, machine, 1 1/8 x 10 ga.	54	539106375	1	Indicator, air filter
24	539976998	1	Zerk	55	539106313	1	Air filter
25	539990122	1	Washer, 3/8, SAE	56	539106377	1	Safety element
26	539990550	5	Washer, 1/2	57	539108470	1	Body, 90°
27	539976934	8	Bolt, 5/16-18 x 3/4	58	539108473	1	Precleaner assembly
28	539991120	1	Bolt, 7/16-20 x 2 1/2	59	539108474	1	Mounting bracket
29	539101332	4	Bolt, 1/2-13 x 2 3/4	60	539108472	1	S-drain
30	539977692	4	Bolt, M8-1.25 x 35	61	539108475	2	Clamp
31	539990622	2	Bolt, 1/2-13 x 1 1/4, serrated head	62	539108476	2	Hinge
					539106327	1	Stub shaft (Not shown)
					539109177	1	Manifold gasket (Not Shown)
				63	539110652	1	Bumper
				64	539990585	1	Nut, 5/16C

# ENGINE ASSEMBLY

34 H.P.





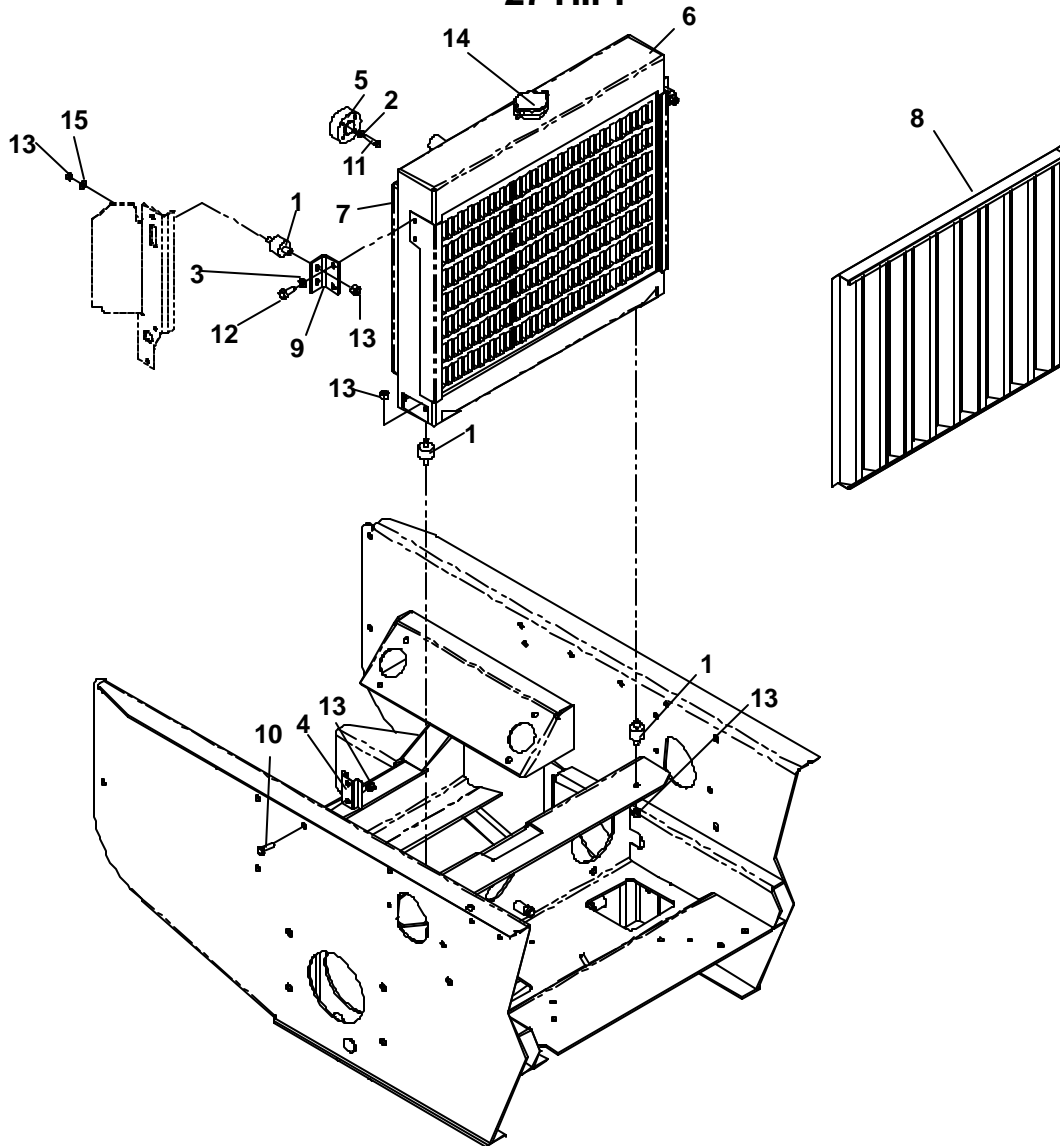
**ENGINE ASSEMBLY**

**34 H.P.**

ITEM	PART NO.	QTY.	DESCRIPTION	ITEM	PART NO.	QTY.	DESCRIPTION
1	539109568	1	Muffler	33	539990209	4	Bolt, 5/16-18 x 1
2	539106335	1	Sheave, engine	34	539300600	13	Bolt, M8 x 1.25 x 20
3	539110668	1	Clutch	35	539108271	1	Bolt, 3/8-16 x 3 1/2
4	539110654	1	Restraint	36	539990717	10	Nut, 5/16-18, nyloc
5	539106306	1	Jack mount	37	539976979	1	Nut, 3/8-16, nyloc
6	539107864	1	Shield, heat	38	539101331	7	Nut, 1/2-13, nyloc
7	539107841	1	Bracket, air filter	39	539990247	3	Lockwasher, 7/16
8	539106381	1	Hose	40	539990187	17	Lockwasher, 5/16
9	539107861	1	Engine mount, left	41	539100152	1	Key, 1/4 sq. x 1 7/8
10	539107862	1	Engine mount, right	42	539990692	2	Washer, 5/16
11	539106422	1	Arm	43	539100141	3	Bolt, 7/16-20 x 1 1/2
12	539106417	1	Bushing	44	539107272	1	Combo spacer
13	539110655	1	Spring	45	539104852	1	Housing
14	539109801	4	Nut, M8-1.25, stover top lock	46	539102677	2	Bearing
15	539106504	1	Washer, heavy	47	539106344	1	Spindle
16	539106291	4	Isolator mount, engine	48	539106504	2	Washer, heavy
17	539107994	1	Idler	49	539106347	1	Sheave
18	539106338	1	Belt, primary	50	539105485	1	Pulley
19	539106339	1	Belt, mule	51	539101995	2	Key, 1/4" sq. x 1 1/8"
20	539106315	1	Air filter assembly	52	539102244	1	Machine bushing, 18 ga
21	539106383	2	Clamp	53	539102676	1	Spacer
22	539104959	5	Isolator washer	54	539106375	1	Indicator, air filter
23	539108052	1	Bushing, machine, 1 1/8 x 10 ga.	55	539106313	1	Air filter
24	539976998	1	Zerk	56	539106377	1	Safety element
25	539990122	1	Washer, 3/8,SAE	57	539108471	1	Body
26	539990550	1	Washer, 1/2	58	539108473	1	Precleaner assembly
27	539976934	8	Bolt, 5/16-18 x 3/4	59	539108474	1	Mounting bracket
28	539991120	1	Bolt, 7/16- 20 x 2 1/2	60	539108472	1	S-drain
29	539101332	4	Bolt, 1/2-13 x 2 3/4	61	539108475	2	Clamp
30	539977692	4	Bolt, M8-1.25 x 35	62	539108476	2	Hinge
31	539990622	2	Bolt, 1/2-13 x 1 1/4, serrated head	.....	539106327	1	Stub shaft (Not shown)
32	539108346	1	Bolt, 1/2-13 x 2 1/2	.....	539109177	1	Manifold gasket (Not Shown)
				63	539110652	1	Bumper
				64	539990585	1	Nut, 5/16C

# RADIATOR

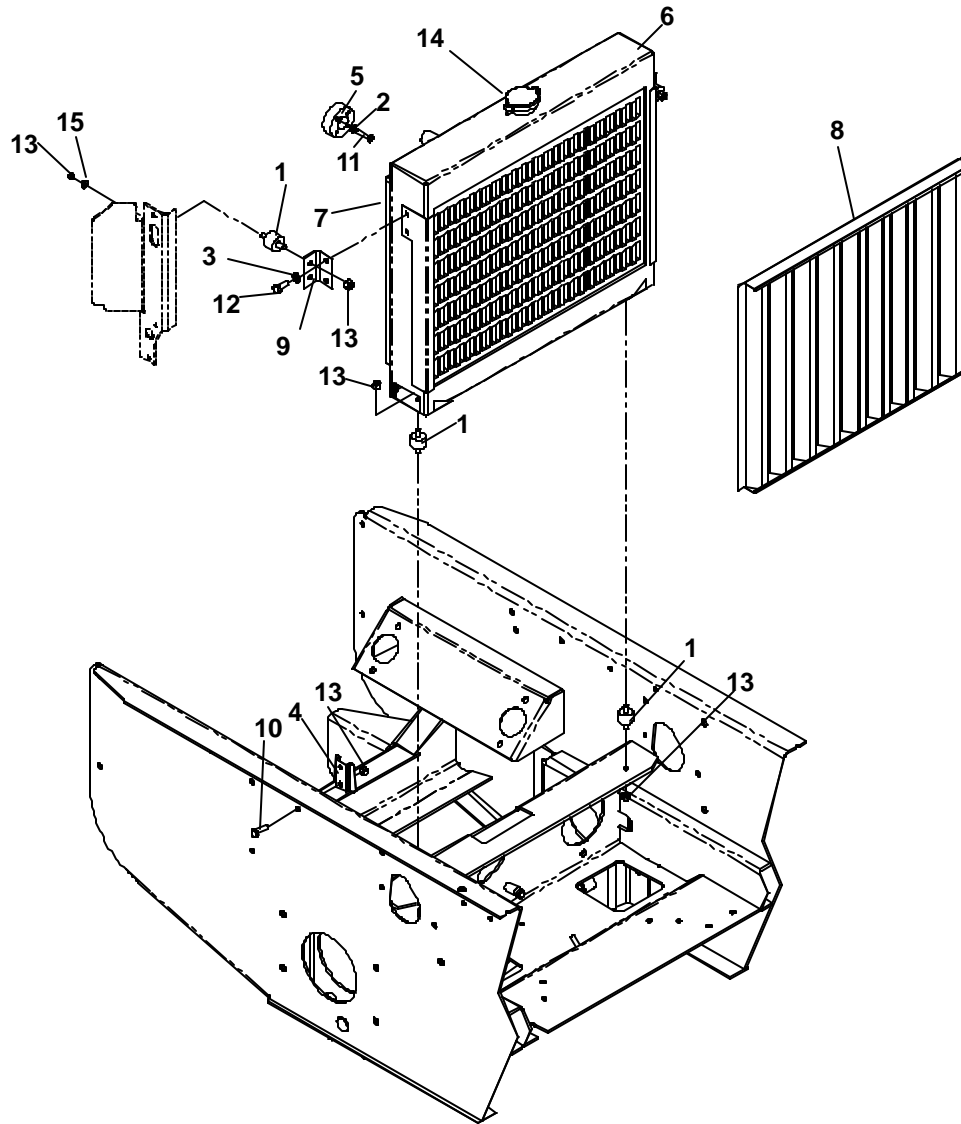
27 H.P.



ITEM	PART NO.	QTY.	DESCRIPTION
1	539106310	4	Isolator
2	539990052	4	Lockwasher, 1/4
3	539990187	2	Lockwasher, 5/16
4	539107855	1	Bracket, mounting
5	539106308	1	Spacer, fan
6	539106316	1	Radiator
7	539106311	1	Shroud
8	539106318	1	Debris guard
9	539106297	2	Bracket, isolator
10	539990209	1	Bolt, 5/16-18 x 1
11	539106307	4	Bolt, M6-1 x 30
12	539976934	2	Bolt, 5/16-18 x 3/4
13	539990717	9	Nut, 5/16-18
14	539106320	1	Cap, radiator
15	539990188	2	Washer, 5/16, SAE
	539106321	4	Clamp, hose (not shown)
	539106326	1	Hose, lower (not shown)
	539106325	1	Hose, upper (not shown)
	539106402	1	Overflow reservoir (not shown)
	539106322	2	Drain, radiator (not shown)

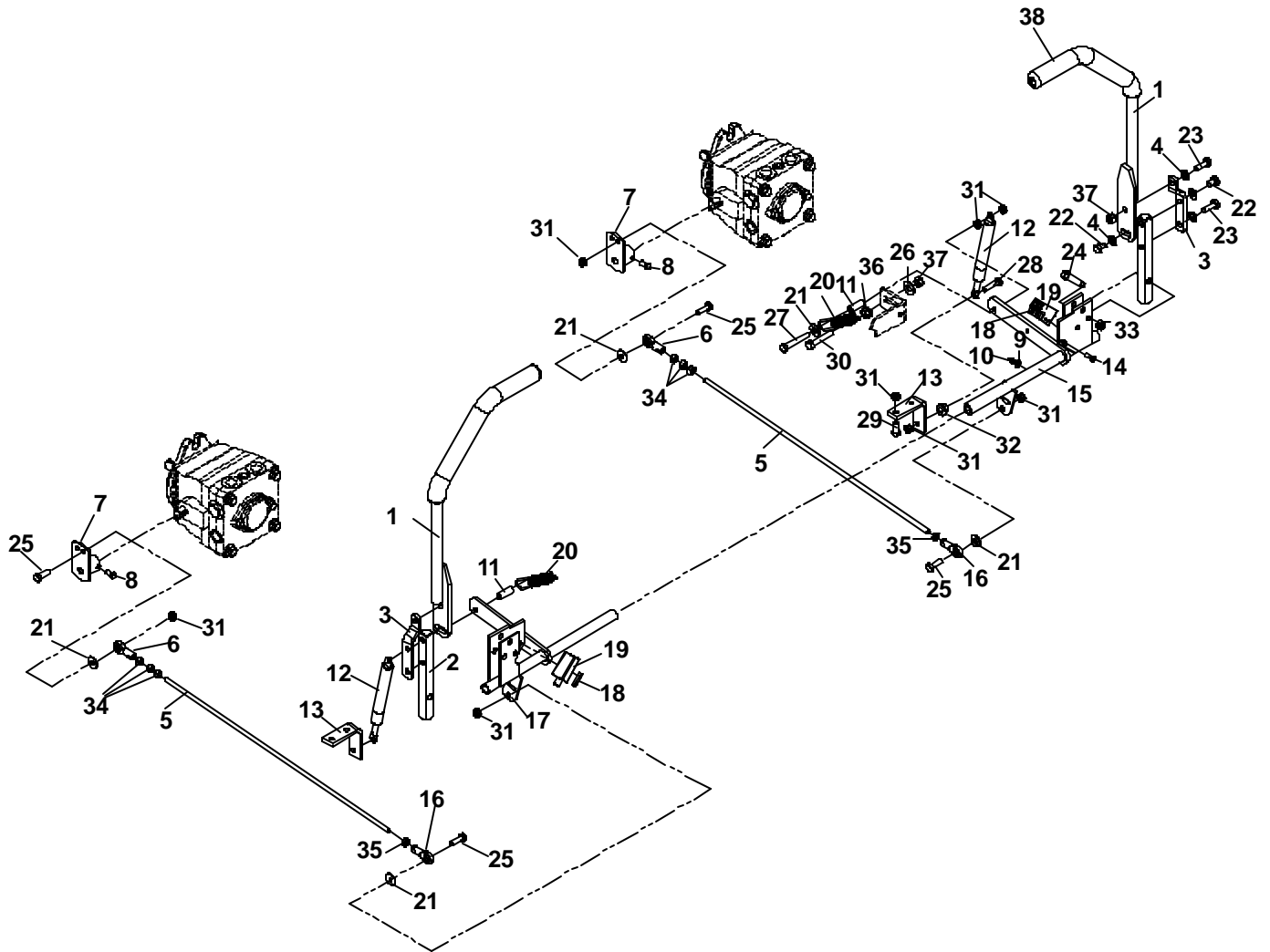
## RADIATOR

34 H.P.



ITEM	PART NO.	QTY.	DESCRIPTION
1	539106310	4	Isolator
2	539990052	4	Lockwasher, 1/4
3	539990187	2	Lockwasher, 5/16
4	539107855	1	Bracket, mounting
5	539107995	1	Spacer, fan
6	539106316	1	Radiator
7	539106317	1	Shroud
8	539106318	1	Debris guard
9	539106297	2	Bracket, isolator
10	539990209	1	Bolt, 5/16-18 x 1
11	539300599	4	Bolt, M6-1 x 40
12	539976934	2	Bolt, 5/16-18 x 3/4
13	539990717	9	Nut, 5/16-18
14	539106320	1	Cap, radiator
15	539990188	2	Washer, 5/16,SAE
	539106321	4	Clamp, hose (not shown)
	539106326	1	Hose, lower (not shown)
	539106325	1	Hose, upper (not shown)
	539106402	1	Overflow reservoir (not shown)
	539106322	2	Drain, radiator (not shown)

# MOTION CONTROL

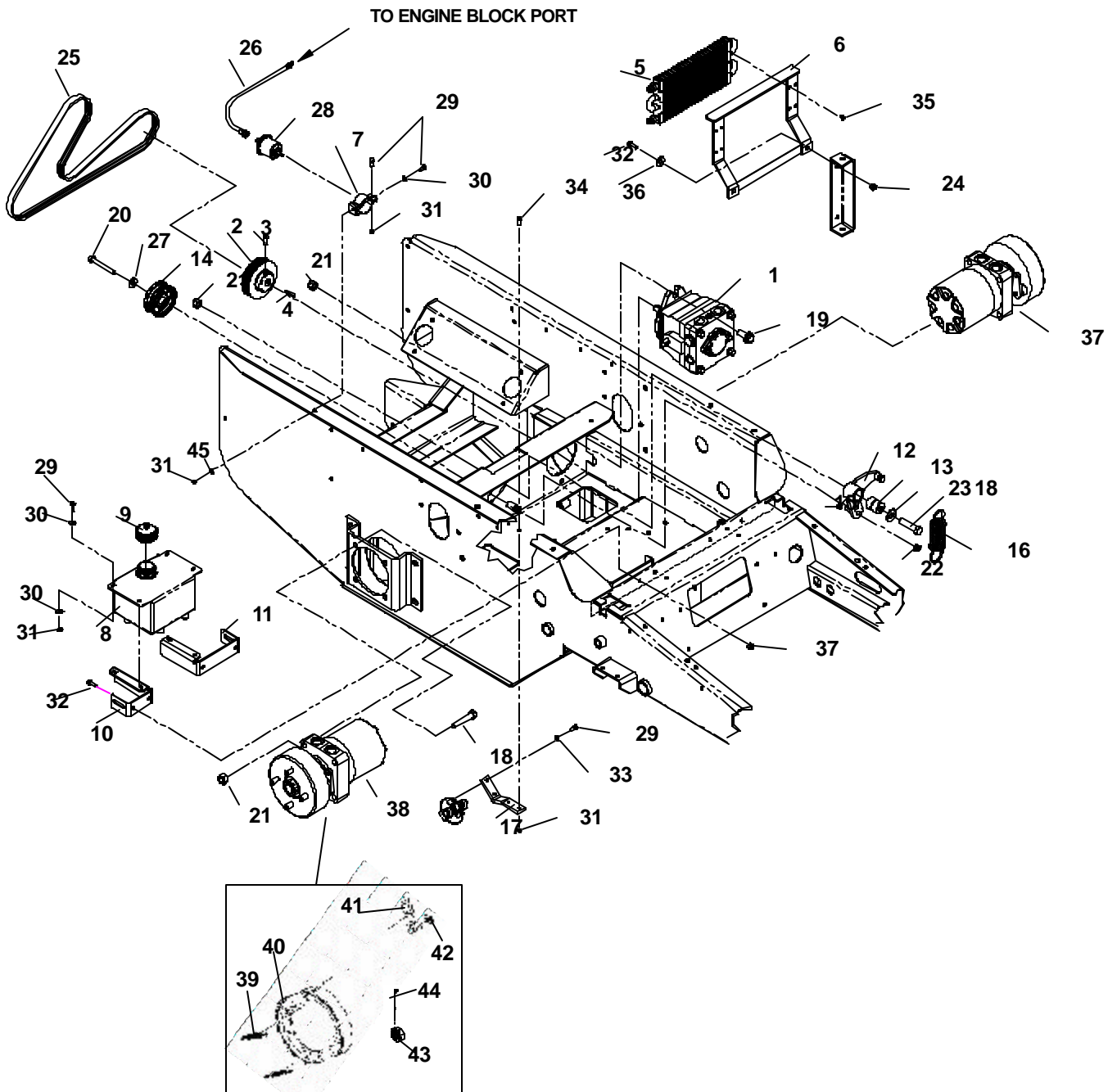


**MOTION CONTROL**

---

ITEM	PART NO.	QTY.	DESCRIPTION
1	539104190	2	Handle
2	539102809	2	Arm, control shaft
3	539106687	2	Control lever extension
4	539102593	8	Washer, 3/8, spring
5	539107837	2	Pump linkage bar
6	539102590	2	Ball end, right
7	539105732	2	Pump lever
8	539105079	2	Setscrew, 5/16-18 sq. x 5/8, cone pt.
9	539103547	2	Washer
10	539976998	2	Zerk
11	539104995	2	Spacer
12	539102720	2	Dampener
13	539106412	2	Bracket, L
14	539976952	4	Screw, #10-24 x 5/8
15	539104363	1	Control, left
16	539102591	2	Ball end, left
17	539104364	1	Control, right
18	539102678	2	Tapped plate
19	539106269	2	Switch
20	539103297	2	Detent spring, rev.
21	539990692	6	Washer, 5/16
22	539106776	4	Bolt, 3/8-16 x 1/2
23	539990563	4	Bolt, 3/8-16 x 1
24	539990655	6	Bolt, 3/8-16 x 1 1/2
25	539990209	4	Bolt, 5/16-18 x 1
26	539990517	2	Washer, 3/8
27	539991055	2	Bolt, 5/16-18 x 2 1/4, tap
28	539990627	2	Bolt, 5/16-18 x 1 1/4
29	539976934	4	Bolt, 5/16-18 x 3/4
30	539990588	2	Bolt, 3/8-16 x 2
31	539990184	14	Nut, 5/16-18, centerlock
32	539990585	2	Nut, 5/16-18, serrated washer
33	539990546	6	Nut, 3/8-16, centerlock
34	539990223	6	Nut, 5/16-24
35	539991073	2	Nut, 5/16-24, jam, LH
36	539990613	2	Nut, 3/8-16
37	539976979	4	Nut, 3/8-16, nyloc
38	539102592	2	Grip

# HYDRAULIC ASSEMBLY

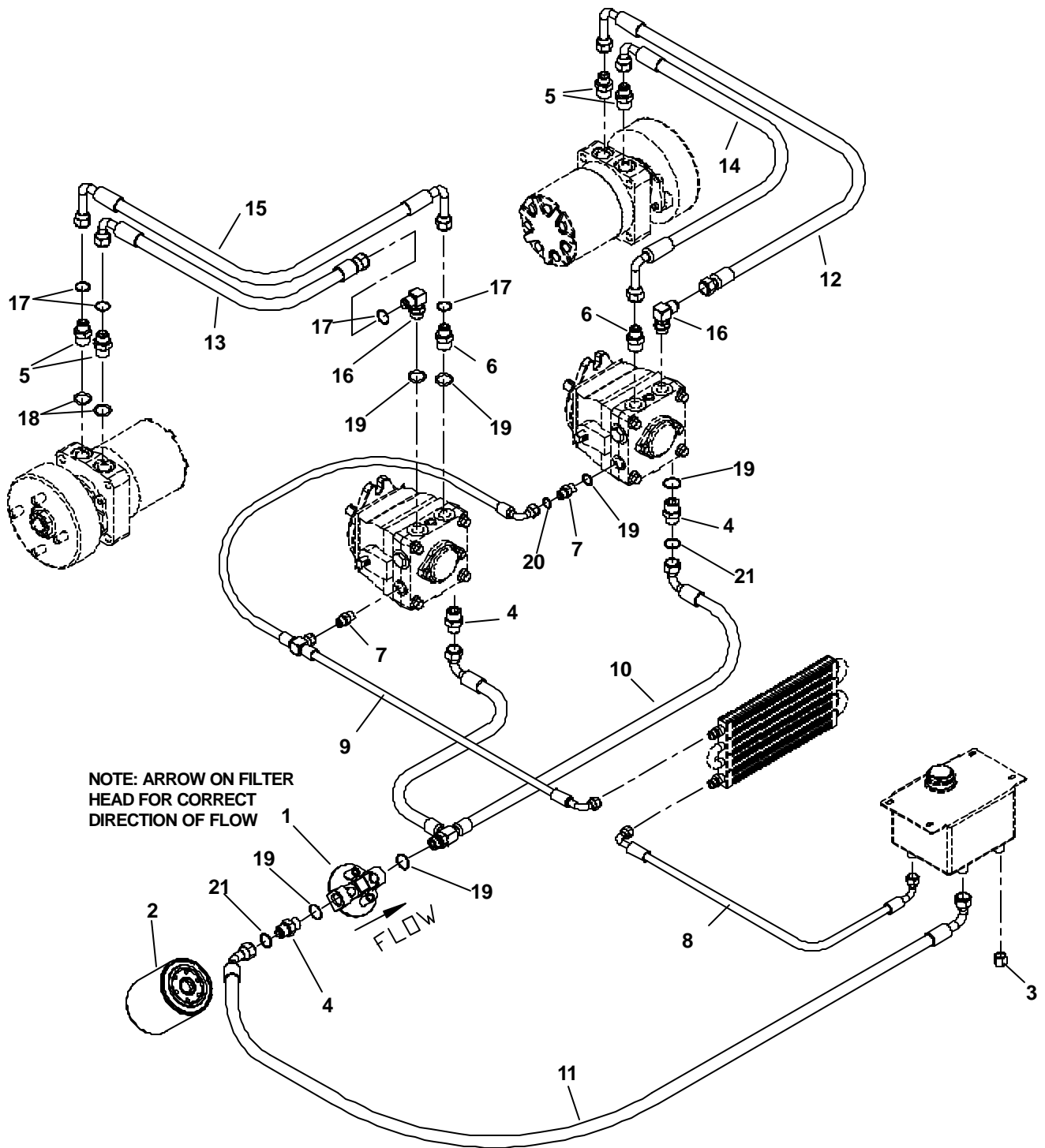


## HYDRAULIC ASSEMBLY

---

ITEM	PART NO.	QTY.	DESCRIPTION
1	539106333	2	Pump
2	539106334	2	Sheave, pump
3	539102716	4	Setscrew, 5/16-18 x 1
4	539109178	2	Key, metric
5	539106356	1	Cooler
6	539107810	1	Mount, cooler
7	539107844	1	Clamp, oil sender
8	539105891	1	Reservoir
9	539101202	1	Oil cap
10	539105026	1	Tank mount, right
11	539105027	1	Tank, mount, left
12	539106425	1	Arm
13	539106417	1	Bushing
14	539919078	1	Pulley, idler
15	539912758	1	Zerk
16	539102666	1	Spring
17	539106290	1	Mount, filter
18	539108346	9	Bolt, 1/2-13 x 2 1/2
19	539990622	4	Bolt, 1/2-13 x 1 1/4, serrated head
20	539101341	1	Bolt, 3/8-16 x 3
21	539101331	13	Nut, 1/2-13, nyloc
22	539976979	3	Nut, 3/8-16, nyloc
23	539990550	1	Washer, 1/2
24	539990717	6	Nut, 5/16-18, nyloc
25	539106341	1	Belt, pump
26	539108053	1	Hose
27	539990122	1	Washer, 3/8, SAE
28	539106382	1	Sender, oil pressure
29	539990580	8	Bolt, 1/4-20 x 3/4
30	539990598	9	Washer, 1/4
31	539976978	8	Nut, 1/4-20, nyloc
32	539990209	6	Bolt, 5/16-18 x 1
33	539990052	2	Lockwasher, 1/4
34	539990548	2	Bolt, 1/4-20 x 1
35	539110673	4	Screw, #10 -12 x 3/4
36	539990692	2	Washer, 5/16
37	539106266	1	Wheel motor, left
38	539106267	1	Wheel motor, right
39	539108523	2	Return spring
40	539108524	2	Shoe assembly
41	539108525	1	Lever
42	539108526	1	Clip
43	539105277	2	Castle nut
44	539990297	2	Cotter pin
45	539109347	1	Washer, 1/4, external star

# HYDRAULIC HOSES AND FITTINGS



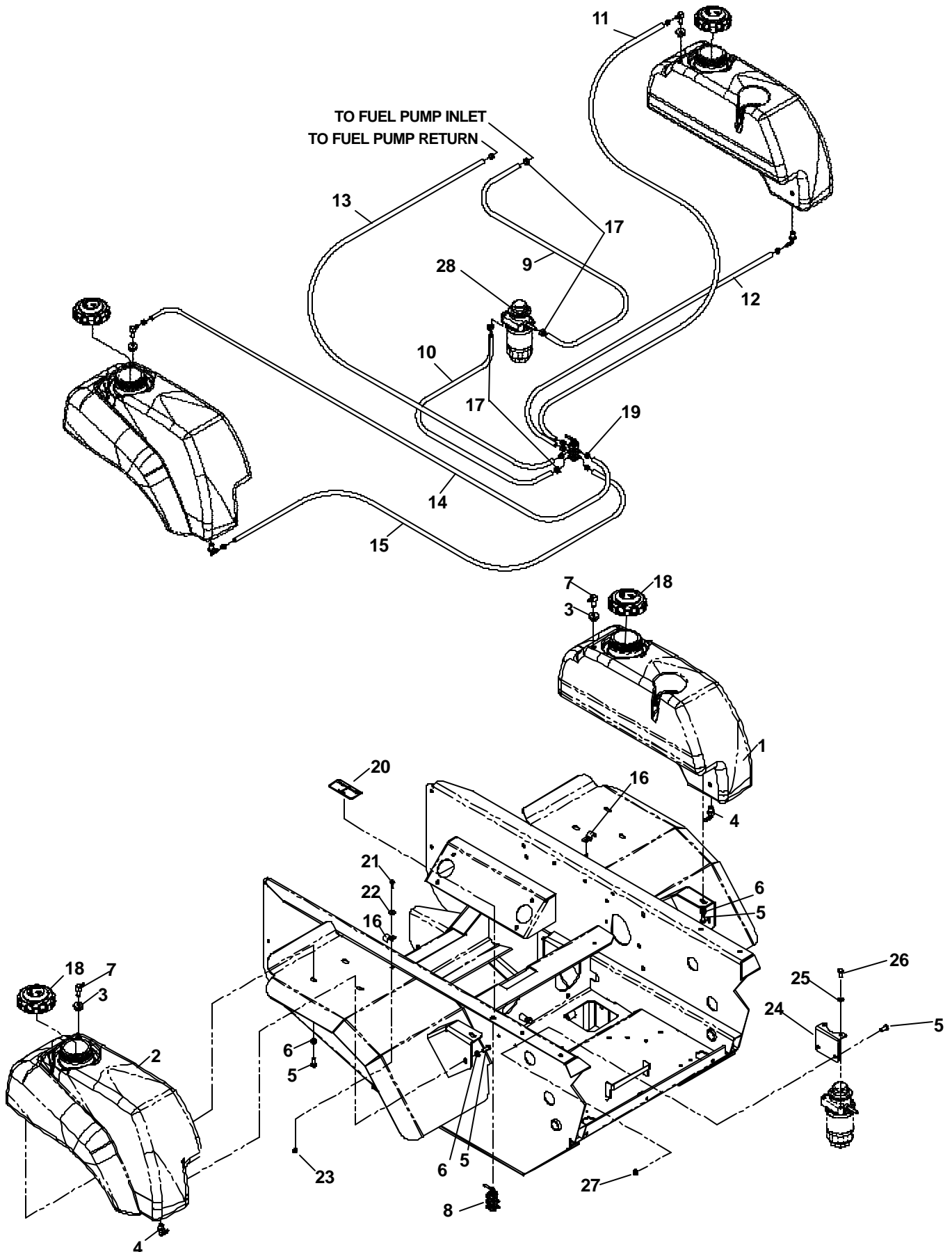


## HYDRAULIC HOSES AND FITTINGS

---

ITEM	PART NO.	QTY.	DESCRIPTION
1	539105892	1	Filter head
2	539105893	1	Filter
3	539105168	1	Cap nut, reservoir drain
4	539101237	3	Straight connector
5	539106357	4	Fitting, wheel motors
6	539106358	2	Fitting, pumps
7	539106359	2	Fitting, pumps (return side)
8	539106360	1	Hose, cooler-reservoir
9	539106361	1	Hose, T, pumps-cooler
10	539106362	1	Hose, T, filter, out-pumps
11	539106363	1	Hose, reservoir-filter, in
12	539106364	1	Hose, LL pump-LR mtr
13	539106365	1	Hose, RR pump-RF mtr
14	539106366	1	Hose, LR pump-LF mtr
15	539106367	1	Hose, RL pump-RR mtr
16	539106370	2	Fitting
17	539108983	8	`O' ring
18	539103114	4	`O' ring
19	539103115	6	`O' ring
20	539103118	2	`O' ring
21	539103119	3	`O' ring

# FUEL GROUP

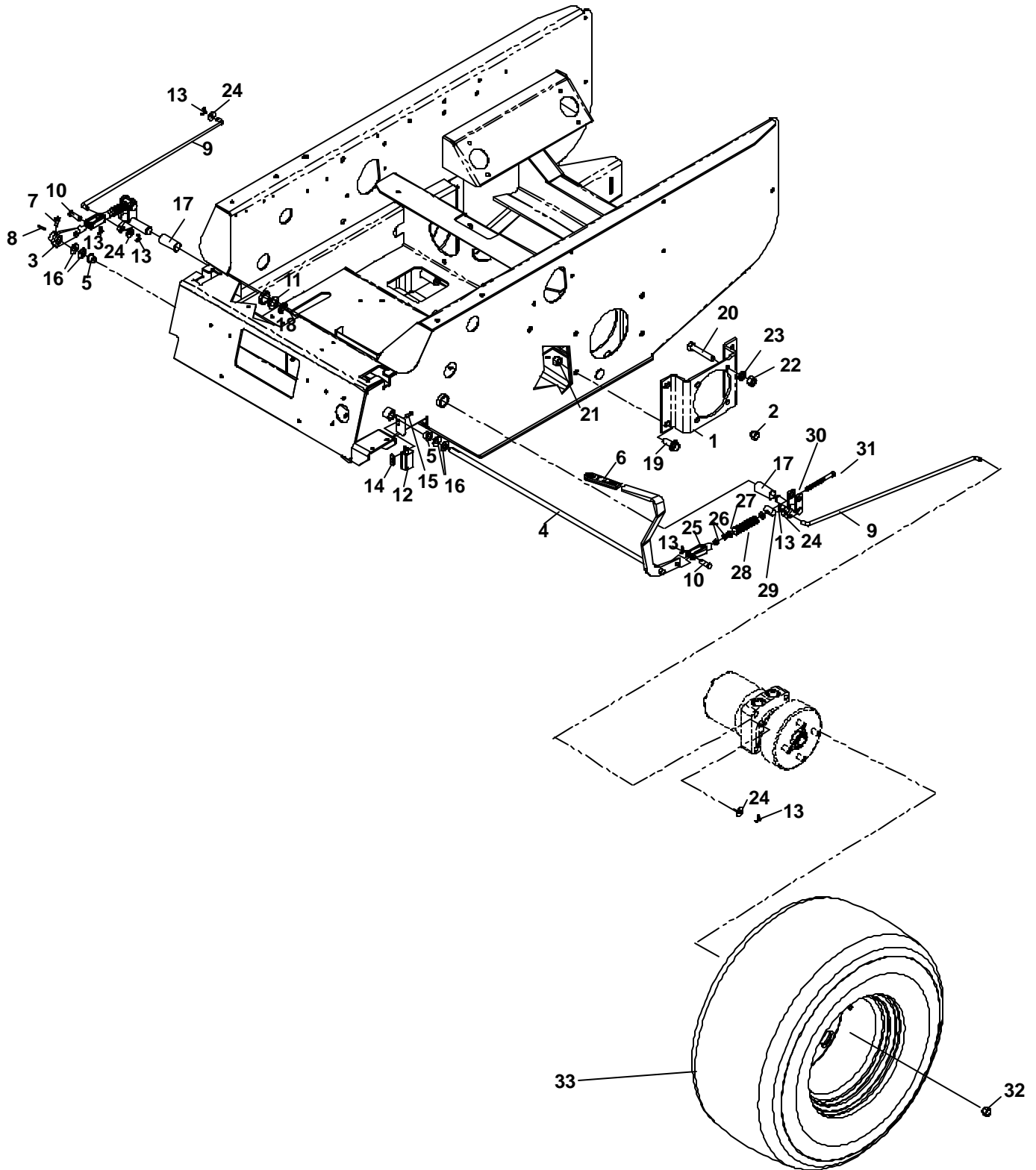


**FUEL GROUP**

---

ITEM	PART NO.	QTY.	DESCRIPTION
1	539105329	1	Fuel tank, left
2	539105330	1	Fuel tank, right
3	539105245	2	Grommet, rubber
4	539102650	2	Hose barb, 90°
5	539976934	10	Bolt, 5/16-18 x 3/4
6	539101704	10	Washer, 5/16, sealing
7	539105244	2	Elbow
8	539105331	1	Valve, fuel
9	539108206	1	Fuel line (38")
10	539108207	1	Fuel line (35")
11	539108208	1	Fuel line (79")
12	539108209	1	Fuel line (57")
13	539108210	1	Fuel line (54")
14	539108211	1	Fuel line (34")
15	539108212	1	Fuel line (13")
16	539107863	2	Clip
17	539105529	4	Clamp
18	539106330	2	Cap, diesel fuel
19	539912222	10	Hose clamp
20	539105334	1	Decal, fuel valve
21	539990580	2	Bolt, 1/4-20 x 3/4
22	539990598	2	Washer, 1/4
23	539976978	2	Nut, 1/4-20, nyloc
24	539107840	1	Mounting bracket
25	539990187	2	Lockwasher, 5/16
26	539300600	2	Bolt, M8-1.25 x 20
27	539990717	2	Nut, 5/16-18, nyloc
28	539106369	1	Fuel filter/pump assembly
	539108448	1	Fuel filter element

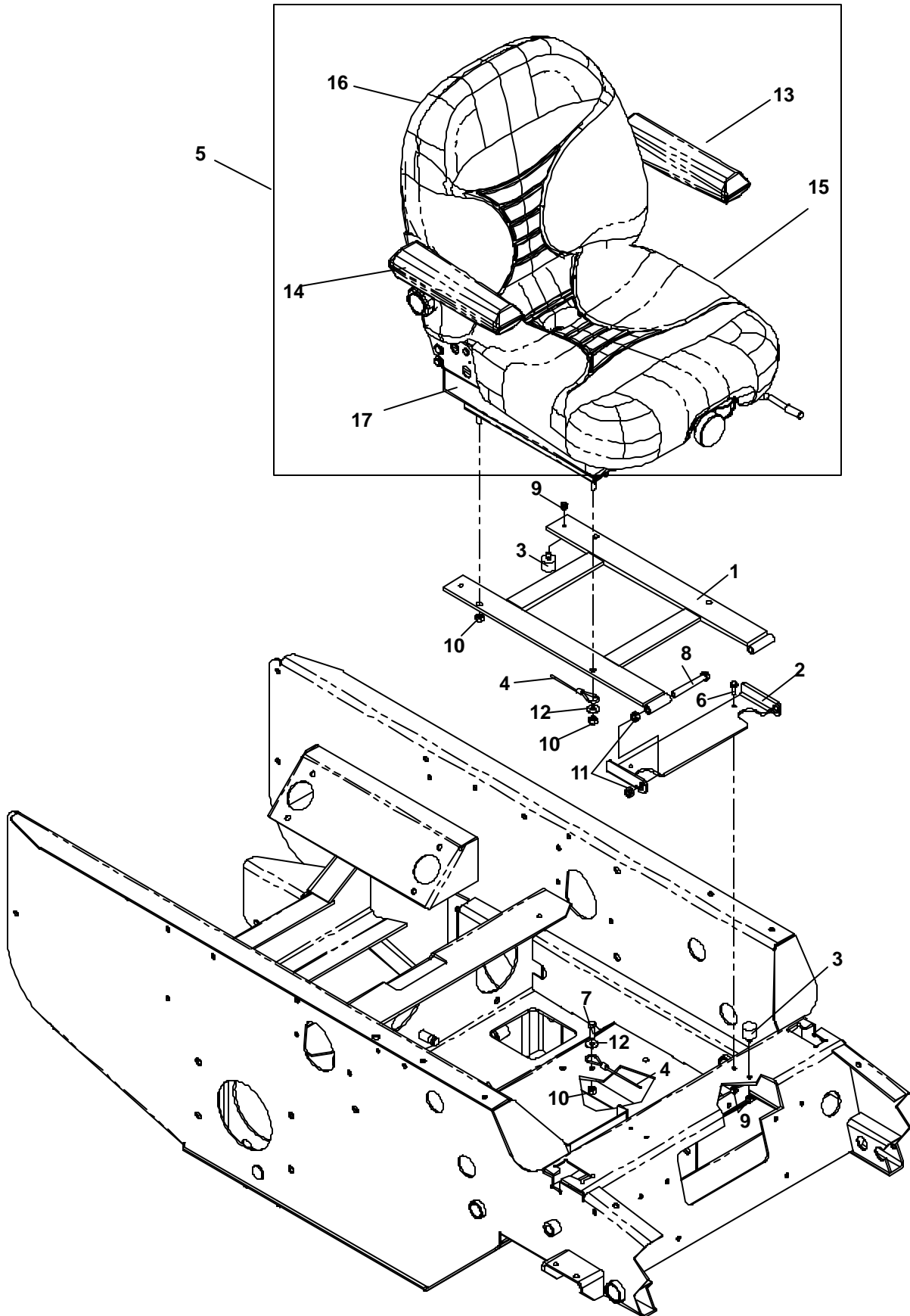
# BRAKE GROUP



**BRAKE GROUP**

ITEM	PART NO.	QTY.	DESCRIPTION
1	539104327	2	Standoff, wheel motor
2	539101173	8	Nut, 1/2, lug
3	539106523	1	Brake arm
4	539106526	1	Brake lever
5	539102519	2	Bushing, bronze
6	539105036	1	Grip, park brake
7	539102717	1	Setscrew, 5/16-18 sq. x 5/8
8	539106528	1	Key, 1/8 sq. x 7/8
9	539107838	2	Brake linkage bar
10	539977703	2	Pin, clevis
11	539991050	2	Bushing, machine, 3/4
12	539106269	1	Switch
13	539990365	6	Pin, cotter
14	539102678	1	Plate, tapped
15	539976952	2	Screw, #10-24 x 5/8
16	539102843	4	Washer, 7/16, spring
17	539105044	2	Bearing, bronze
18	539102454	2	E-ring, 3/4
19	539990622	8	Bolt, 1/2-13 x 1 1/4, serrated washer
20	539101332	8	Bolt, 1/2-13 x 2 3/4
21	539101331	8	Nut, 1/2-13, nyloc
22	539990258	8	Nut, 1/2-13
23	539990254	8	Lockwasher, 1/2
24	539990692	4	Washer, 5/16
25	539977465	1	Yoke
26	539990155	2	Nut, 3/8-24
27	539990122	2	Washer 3/8
28	539104986	1	Spring
29	539102821	1	Pin, trunion
30	539105040	1	Bellcrank
31	539104984	1	Bolt, 3/8-24 x 4 1/2, special
32	539101173	8	Nut, 1/2, lug
33	539107713	2	Tire, rear, assembly
	539107715	1	Tire
	539105487	1	Rim
	539912234	1	Air valve
	539976856	6	Wire tie
			(Not shown)

# SEAT ASSEMBLY

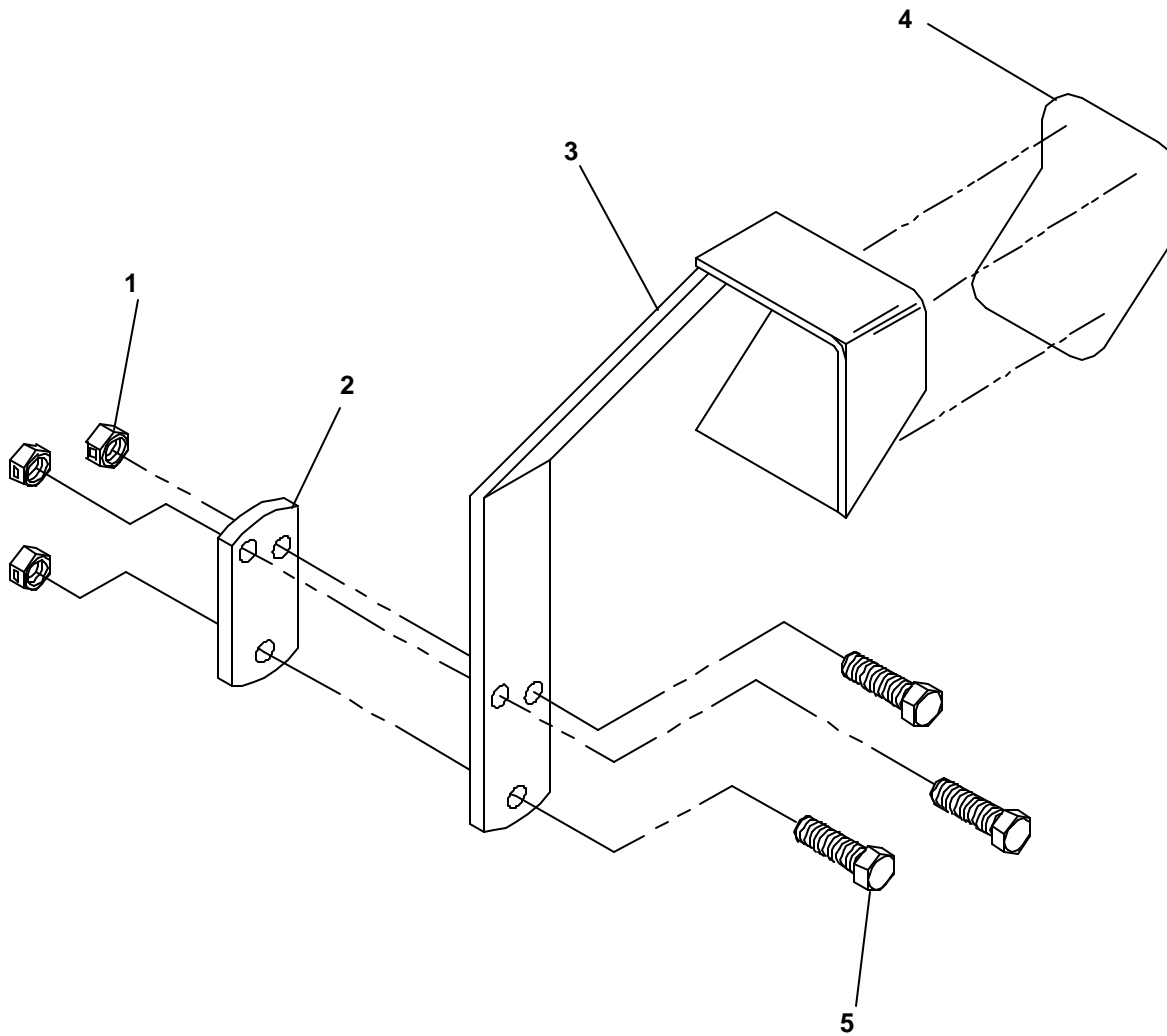


**SEAT ASSEMBLY**

---

<b>ITEM</b>	<b>PART NO.</b>	<b>QTY.</b>	<b>DESCRIPTION</b>
1	539108360	1	Seat mount
2	539105038	1	Bracket w/decals, seat
3	539105039	4	Stud plate mount
4	539103247	2	Seat lanyard
5	539107859	1	Seat suspension
6	539990580	2	Bolt, 1/4-20 x 3/4
7	539990209	2	Bolt, 5/16-18 x 1
8	539101341	2	Bolt, 3/8-16 x 3
9	539976978	6	Nut, 1/4-20, nyloc
10	539990717	6	Nut, 5/16-18, nyloc
11	539990546	4	Nut, 3/8-16, centerlock
12	539990692	4	Washer, 5/16
13	539108716	1	Armrest kit, left
14	539108717	1	Armrest kit, right
15	539108718	1	Seat cushion kit
16	539108719	1	Back cushion kit
17	539108720	1	Slide kit, seat adjustment
	539108745	1	Switch-snap mount kit (Not shown)

## FOOT PEDAL

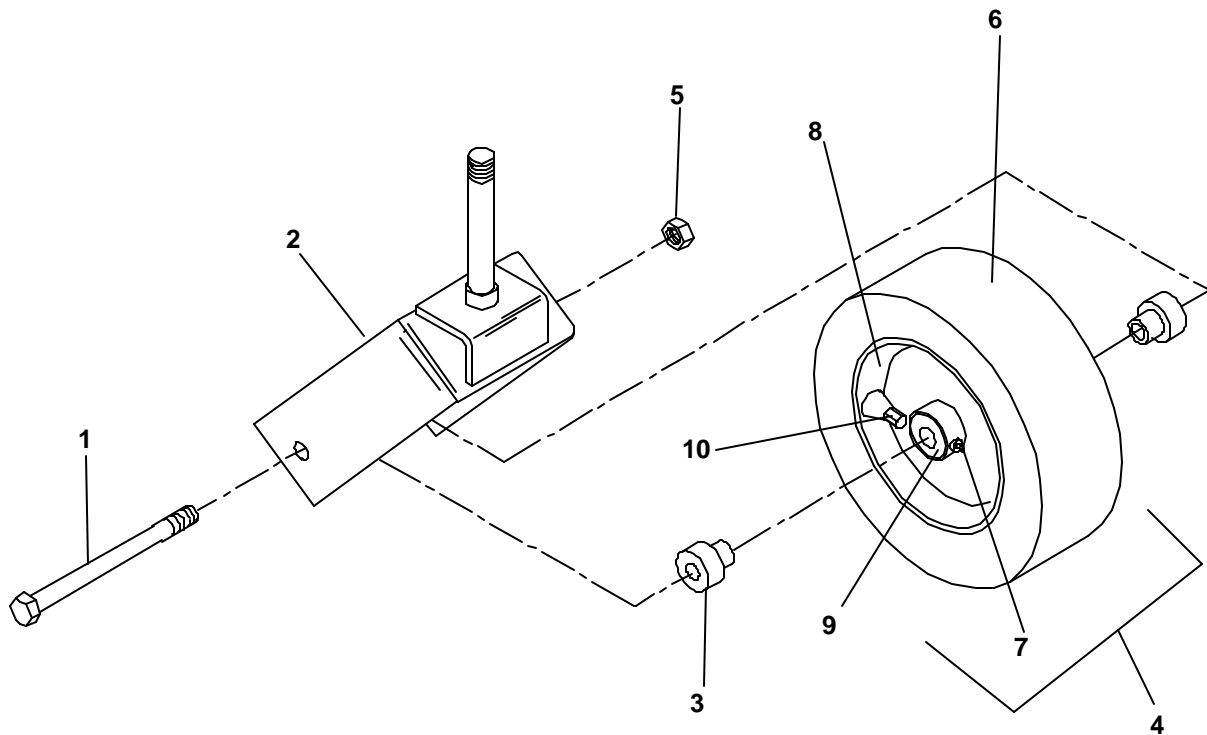


ITEM	PART NO.	QTY.	DESCRIPTION
------	----------	------	-------------

1	539976979	3	Nut, 3/8-16, nyloc
2	539105184	1	Plate, tightening
3	539105181	1	Pedal, lift
4	539105187	1	Pad, anti-skid
5	539990655	3	Bolt 3/8-16 x 1 1/2



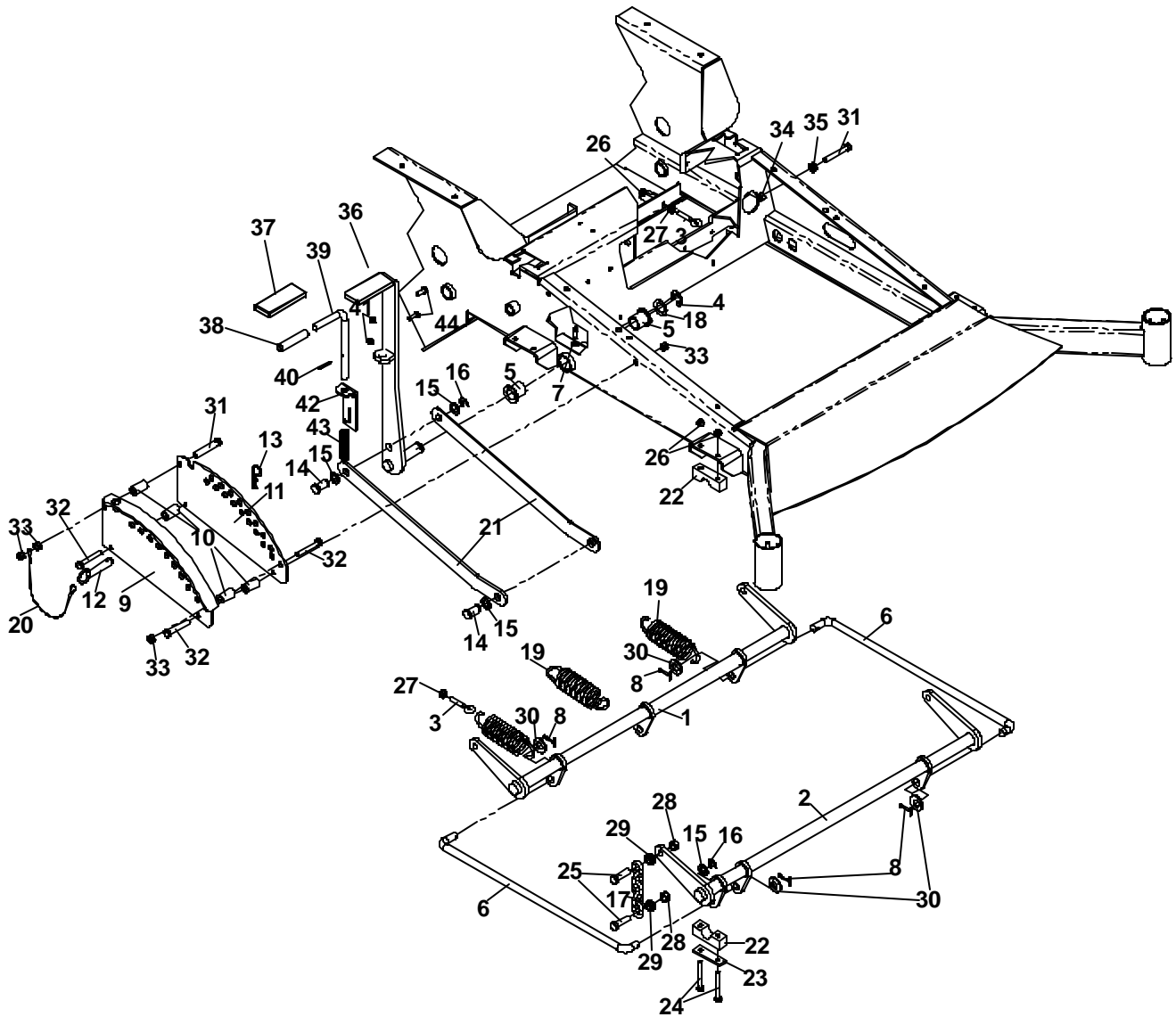
**CASTER ASSEMBLY**



ITEM	PART NO.	QTY.	DESCRIPTION
1	539105517	1	Bolt, 1/2-13 x 9 1/2, GD. 5
2	539105982	1	Yoke, caster
3	539105518	2	Spacer, axle
4	539105521	1	Tire & wheel assembly
5	539101331	1	Nut, 1/2-13, nyloc
6	539105522	1	Tire
7	539103300	1	Zerk
8	539105523	1	Rim
9	539105524	2	Seals
10	539912234	1	Air valve
	539105525	2	Bearing, tapered (Not shown)

# DECK LIFT

## MANUAL



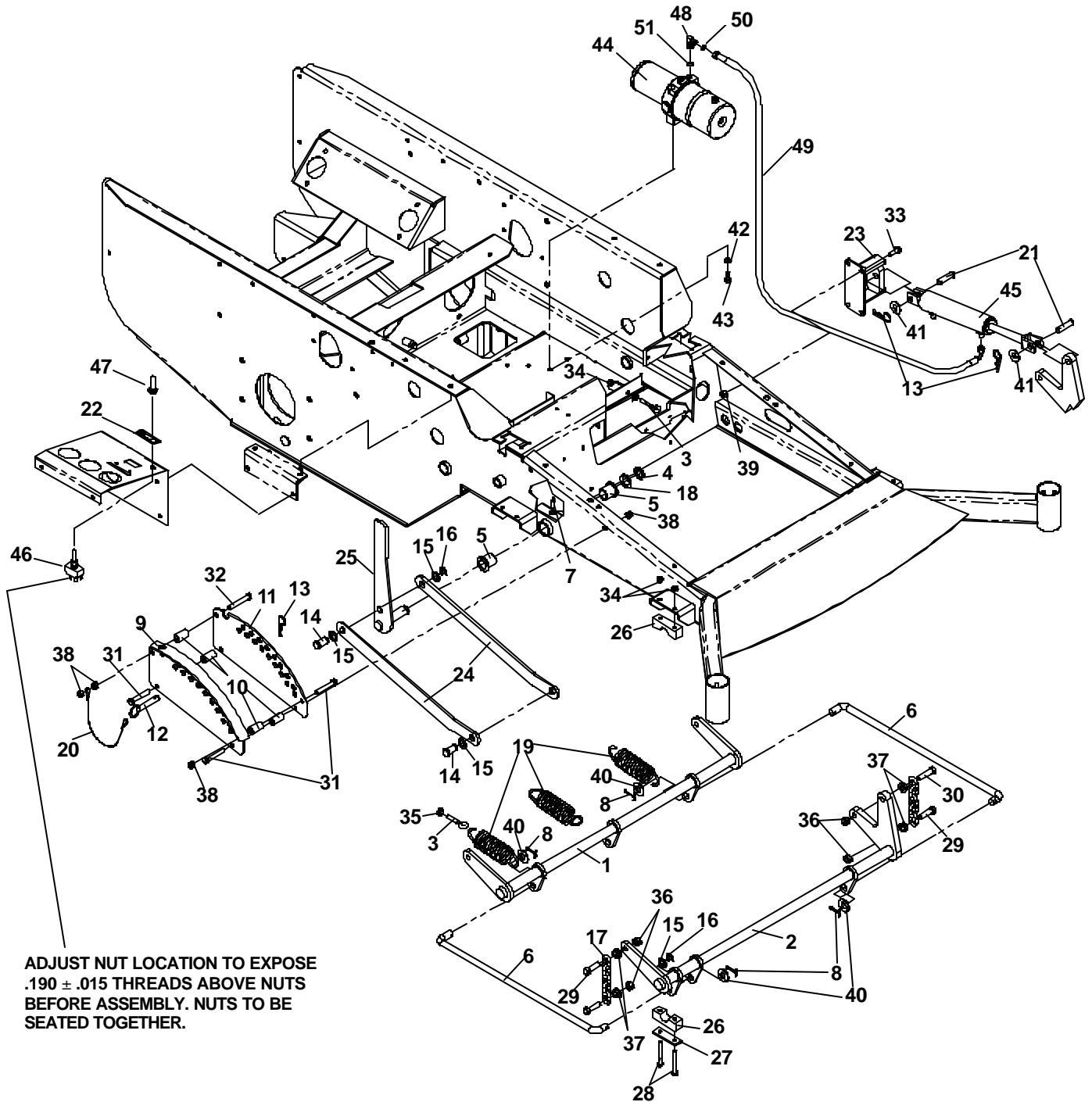
## DECK LIFT

### MANUAL

ITEM	PART NO.	QTY.	DESCRIPTION
1	539108354	1	Shaft, lift, rear
2	539108355	1	Shaft, lift, front
3	539101982	3	Eyebolt, right
4	539101802	1	E-ring, 7/8
5	539101232	2	Bushing, flanged-PM
6	539104310	2	Link, connecting
7	539104761	1	Zerk, long
8	539990654	4	Pin, cotter, 5/32 x 1 1/4
9	539104321	1	Adjustment plate
10	539104530	4	Spacer
11	539104323	1	Adjustment plate
12	539102526	1	Lift pin
13	539976989	1	Hairpin, #4
14	539105060	2	Pin, clevis
15	539991043	4	Bushing, machine, 5/8
16	539105069	2	E-ring, 5/8
17	539102641	4	Lift chain
18	539923787	1	Bushing, machine, 7/8
19	539104760	3	Spring, extension
20	539105059	1	Lanyard
21	539105050	2	Lift linkage
22	539104808	8	Pillow block
23	539104807	4	Bar, reinforcement
24	539991046	8	Bolt, 5/16-18 x 2 1/2
25	539101175	8	Bolt, 7/16-14 x 1 1/2
26	539990184	11	Nut, 5/16-18, centerlock
27	539990585	3	Nut, 5/16-18, serrated washer
28	539990839	8	Nut, 7/16-14, centerlock
29	539102582	8	Nut, 7/16-14, whiz
30	539976982	4	Washer, 5/8
31	539990637	2	Bolt, 3/8-16 x 2 1/2
32	539990629	3	Bolt, 3/8-16 x 2 1/4
33	539990546	5	Nut, 3/8-16, centerlock
34	539976979	1	Nut, 3/8-16, nyloc
35	539990613	1	Nut, 3/8-16, serrated washer
36	539108322	1	Lever
37	539102515	1	Grip
38	539101050	1	Grip
39	539104523	1	Pin
40	539106532	1	Pin, 3/16 x 1 1/4, grooved
41	539990761	2	Nut, 1/4-20, centerlock
42	539103534	1	Pin mt, upper
43	539101058	1	Spring
44	539990580	2	Bolt, 1/4-20 x 3/4
	539106345	1	Plug (Not shown)(Top of Right Console)

# DECK LIFT

## POWER

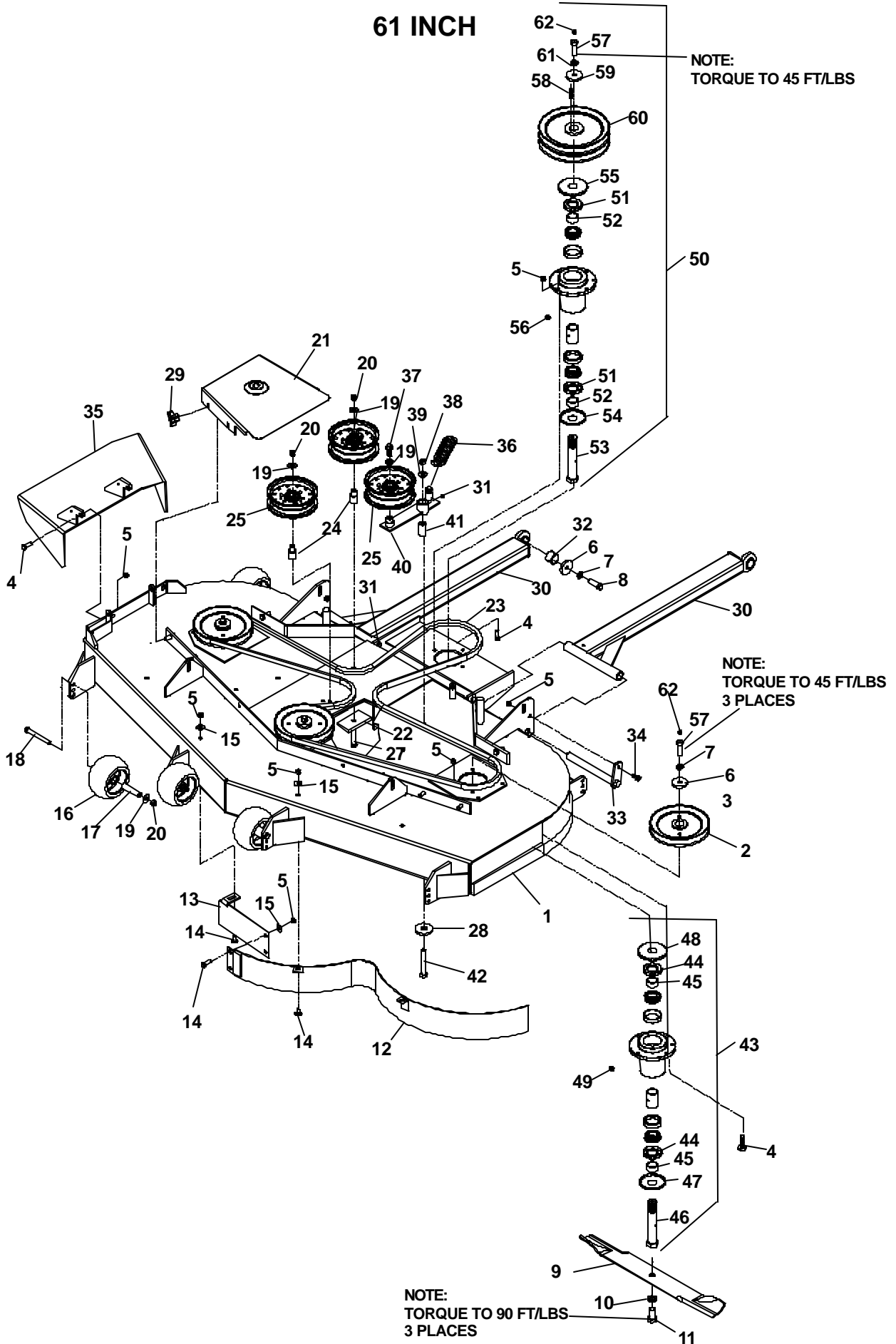


## DECK LIFT

### POWER

ITEM	PART NO.	QTY.	DESCRIPTION
1	539108354	1	Shaft, lift, rear
2	539107134	1	Shaft, lift, front
3	539101982	3	Eyebolt, right
4	539101802	1	E-ring, 7/8
5	539101232	2	Bushing, flanged-PM
6	539104310	2	Link, connecting
7	539104761	1	Zerk, long
8	539990654	4	Pin, cotter, 5/32 x 1 1/4
9	539104321	1	Adjustment plate
10	539104530	4	Spacer
11	539104323	1	Adjustment plate
12	539102526	1	Lift pin
13	539976989	1	Hairpin, #4
14	539105060	2	Pin, clevis
15	539991043	4	Bushing, machine, 5/8
16	539105069	2	E-ring, 5/8
17	539102641	4	Lift chain
18	539923787	1	Bushing, machine, 7/8
19	539104760	3	Spring, extension
20	539105059	1	Lanyard
21	539107227	2	Pin, clevis, 1/2 x 1 3/4
22	539108232	1	Decal, lift switch
23	539107130	1	Cylinder mounting
24	539105050	2	Lift linkage
25	539107137	1	Lift lever
26	539104808	8	Pillow block
27	539104807	4	Bar, reinforcement
28	539991046	8	Bolt, 5/16-18 x 2 1/2
29	539101175	7	Bolt, 7/16-14 x 1 1/2
30	539108073	1	Bolt, 7/16-14 x 1 3/4, GR 5
31	539990629	3	Bolt, 3/8-16 x 2 1/4
32	539990637	1	Bolt, 3/8-16 x 2 1/2
33	539990563	4	Bolt, 3/8-16 x 1
34	539990184	11	Nut, 5/16-18, centerlock
35	539990585	3	Nut, 5/16-18, serrated washer
36	539990839	8	Nut, 7/16-14, centerlock
37	539102582	8	Nut, 7/16-14, whiz
38	539990546	5	Nut, 3/8-16, centerlock
39	539976979	4	Nut, 3/8-16, nyloc
40	539976982	4	Washer, 5/8
41	539990550	2	Washer, 1/2
42	539990118	2	Lockwasher, 3/8
43	539990134	2	Bolt, 3/8-16 x 3/4
44	539107226	1	Power unit/hydraulic lift
45	539107769	1	Cylinder
46	539107868	1	Switch
47	539107869	1	Switch boot
48	539107870	2	Fitting
49	539107871	2	Hose assembly
50	539108984	2	`O' ring
51	539108985	2	`O' ring

# DECK ASSEMBLY



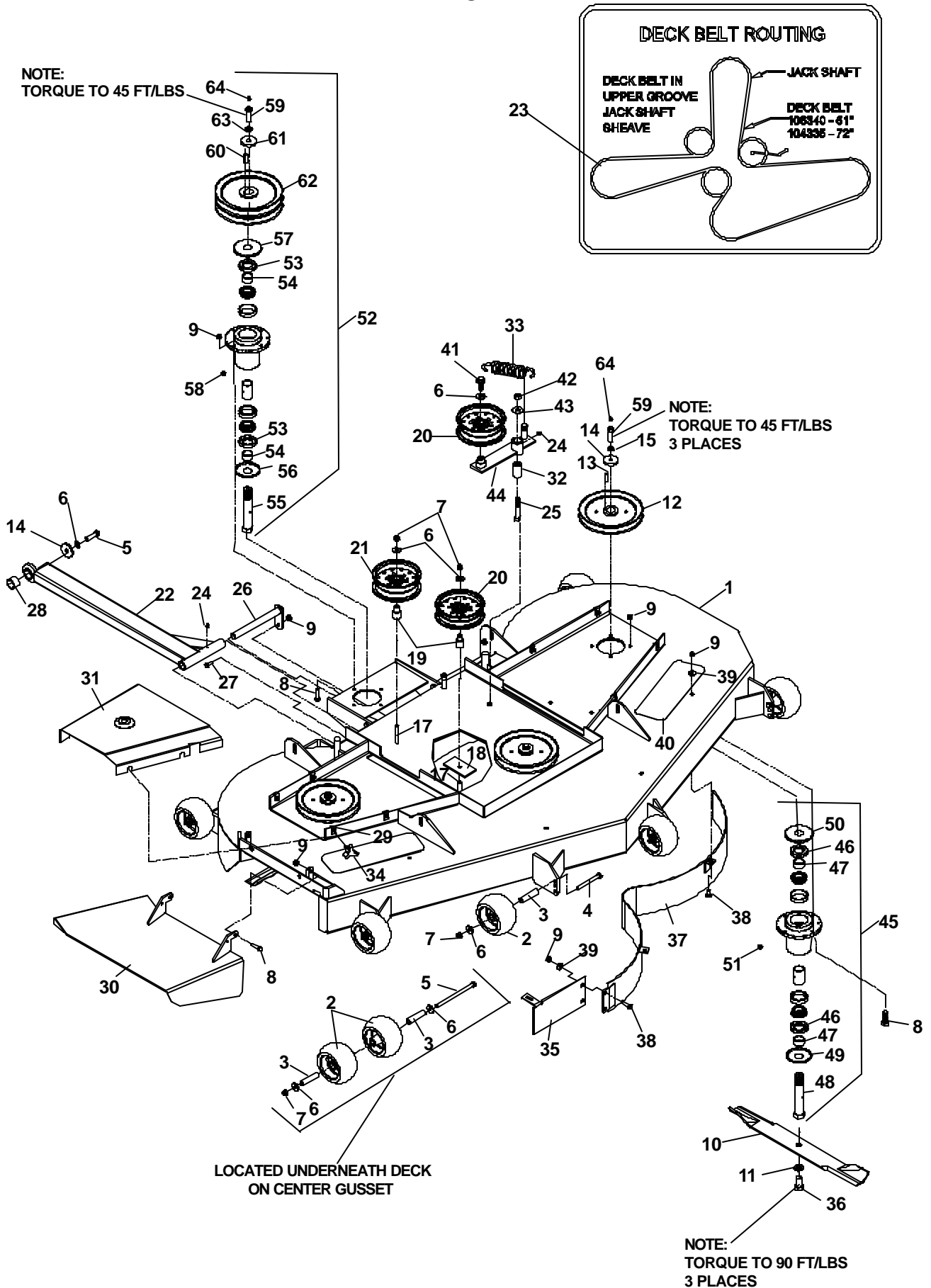
**DECK ASSEMBLY**

**61 INCH**

ITEM	PART NO.	QTY.	DESCRIPTION	ITEM	PART NO.	QTY.	DESCRIPTION
1	539106217	1	61" Deck w/decals	30	539107751	2	Strut weldment
2	539107278	3	Pulley	31	539976998	3	Zerk
4	539990209	18	Bolt, 5/16-18 x 1	32	539106401	1	Spacer, strut
5	539990184	25	Nut, 5/16-18, ..... centerlock	33	539105480	2	Pin weldment
6	539106504	5	Washer, heavy	34	539976934	2	Bolt, 5/16-18 x 3/4
7	539990247	5	Lockwasher, 7/16	35	539106512	1	Chute, discharge
8	539100141	2	Bolt, 7/16-20 x 1 1/2	36	539105192	1	Spring
9	539101733	3	Blade, 21"	37	539990582	1	Bolt, 3/8-16 x 1, ser.
10	539990333	3	Lockwasher, 5/8	38	539101331	1	Nut, 1/2-13, nyloc
11	539103299	3	Bolt, 5/8-18 x 1 1/4	39	539990550	1	Washer, 1/2
12	539105465	1	Main weldment	40	539103230	1	Idler arm
13	539105461	1	Baffle, center	41	539103427	1	Bushing, pivot
14	539990799	5	Bolt, 5/16-18 x 5/8, ..... carriage	42	539103433	1	Bolt, 1/2-13 x 3 1/4, GD. 5
15	539990692	5	Washer, 5/16	43	539108763	1	Cutter housing, complete
16	539102643	6	Anit-scalp roller	44	539108754	2	Shaft seal
17	539102698	6	Bushing	45	539108758	2	Spacer
18	539102754	6	Bolt, 3/8-16 x 3 1/2	46	539108760	1	Mini spindle
19	539990517	9	Washer, 3/8	47	539108449	1	Dust cap, bottom
20	539990546	8	Nut 3/8-16, ..... centerlock	48	539108450	1	Dust cap, top
21	539108611	1	Belt shield, 61", right	49	539977326	1	Grease popet
	539108610	1	Belt shield, 61", left ..... (Not shown)	50	539108768	1	Jackshaft assembly, ..... lower
22	539103303	2	Pad	51	539108754	2	Shaft seal
23	539106340	1	Belt, 61"	52	539108758	2	Spacer
24	539103295	2	Bushing, idler	53	539108767	1	Jackshaft spindle
25	539103257	2	Pulley, idler	54	539108449	1	Dust cap, bottom
26	539103258	1	Pulley, idler, tall	55	539108450	1	Dust cap, top
27	539990637	2	Bolt, 3/8-16 x 2 1/2	56	539977326	1	Grease popet
28	539102243	1	Washer, support	57	539101175	4	Bolt, 7/16-20 x 1 1/2, ..... GD. 5, special
29	539102070	6	Knob, three prong	58	539101995	1	Key, 1/4" sq. x 1 1/8"
				59	539106504	1	Washer, heavy
				60	539106346	1	Sheave
				61	539990247	1	Lockwasher, 7/16
				62	539976998	4	Zerk

# DECK ASSEMBLY

72 INCH



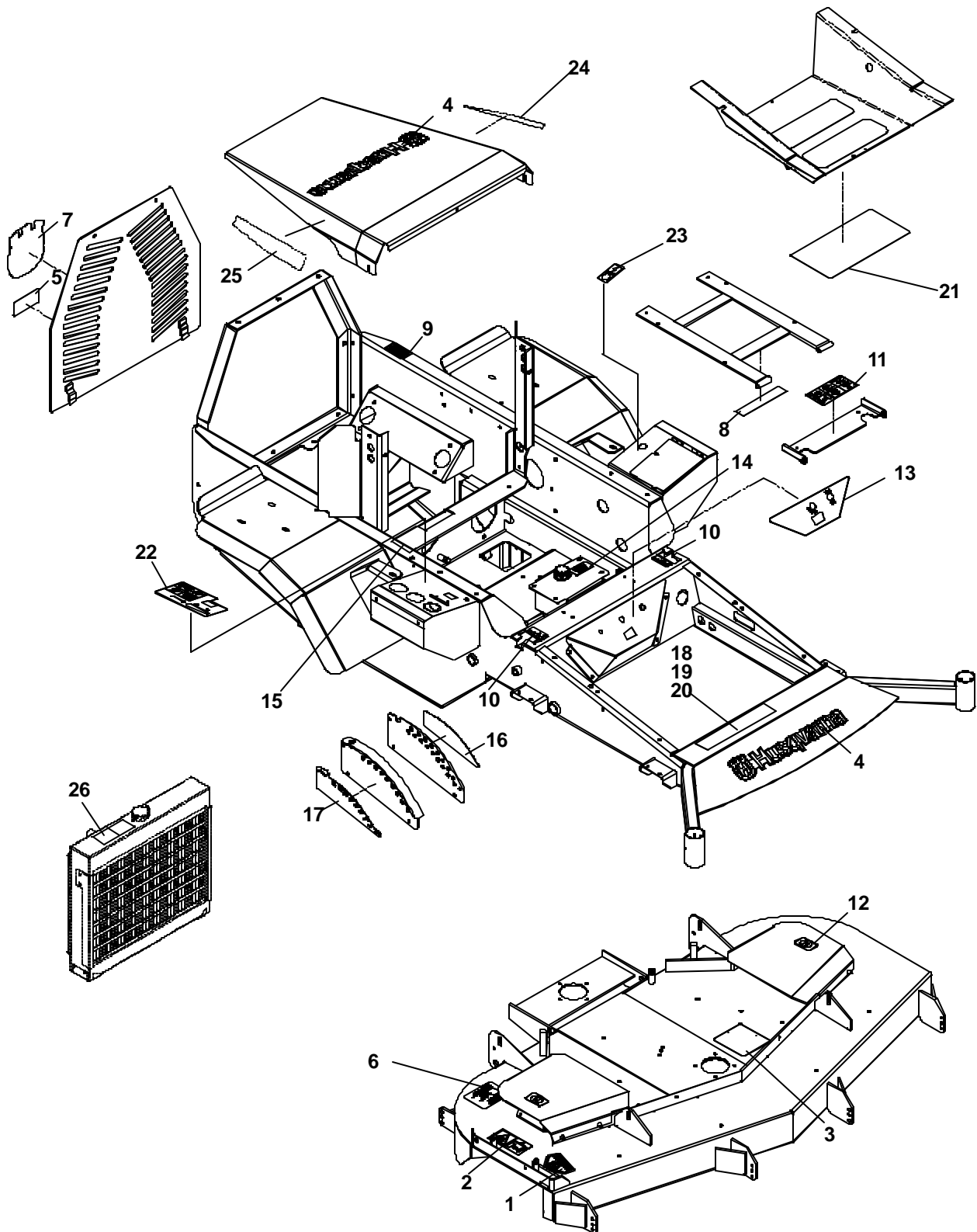


## DECK ASSEMBLY

### 72 INCH

ITEM	PART NO.	QTY.	DESCRIPTION	ITEM	PART NO.	QTY.	DESCRIPTION
1	539106218	1	72" Deck w/decals	31	539108920	1	Shield, belt, right
2	539102643	8	Anti-scalp roller		539108922	1	Shield, belt, left
3	539102698	8	Bushing				(Not shown)
4	539102754	6	Bolt, 3/8-16 x 3 1/2	32	539103427	1	Bushing, pivot
5	539105422	1	Bolt, 3/8-16 x 6, Gd. 8	33	539105192	1	Spring
6	539990517	11	Washer, 3/8	34	539104411	8	Knob w/stud
7	539990546	9	Nut, 3/8-16, .....centerlock	35	539105615	1	Baffle, center
8	539990209	18	Bolt, 5/16-18 x 1	36	539105633	3	Bolt, 5/8-18 x 2, Gd. 8
9	539990184	25	Nut, 5/16-18, .....centerlock	37	539105614	1	Baffle, center curved
10	539105476	3	Blade, 25"	38	539990799	5	Bolt, 5/16-18 x 5/8, .....carriage
11	539105634	3	Washer, 5/8, spring	39	539990692	5	Washer, 5/16
12	539107279	3	Pulley	40	539977778	2	Pad, abrasive
13	539101995	3	Key, 1/4" sq. x 1 1/8"	41	539990582	1	Bolt, 3/8-16 x 1, ser.
14	539106504	5	Washer, heavy	42	539101331	1	Nut, 1/2-13, nyloc
15	539990247	5	Lockwasher, 7/16	43	539990550	1	Washer, 1/2
16	539100141	2	Bolt, 7/16-20 x 1 1/2	44	539103230	1	Idler arm
17	539990637	2	Bolt, 3/8-16 x 2 1/2	45	539108764	1	Cutter housing, complete
18	539103303	2	Pad	46	539108754	2	Shaft seal
19	539103295	2	Bushing, idler	47	539108758	2	Spacer
20	539103257	1	Pulley, idler	48	539108761	1	Mini spindle
21	539103258	2	Pulley, idler (tall)	49	539108449	1	Dust cap, bottom
22	539107750	1	Strut, right	50	539108450	1	Dust cap, top
	539107751	1	Strut, left (Not shown)	51	539977326	1	Grease popet
23	539104335	1	72" Deck belt	52	539108768	1	Jackshaft assembly, .....lower
24	539976998	3	Zerk	53	539108754	2	Shaft seal
25	539103433	1	Bolt, 1/2-13 x 3 1/4, .....Gd. 5	54	539108758	2	Spacer
26	539105480	1	Pin	55	539108767	1	Jackshaft spindle
	539102619	1	Pin, pivot (Not shown)	56	539108449	1	Dust cap, bottom
27	539976934	2	Bolt, 5/16-18 x 3/4	57	539108450	1	Dust cap, top
28	539106401	1	Spacer, strut	58	539977326	1	Grease popet
29	539104763	8	"U" clip	59	539101175	4	Bolt, 7/16-20 x 1 1/2, .....GD. 5, special
30	539108270	1	Chute, discharge	60	539101995	1	Key, 1/4" sq. x 1 1/8"
				61	539106504	1	Washer, heavy
				62	539106346	1	Sheave
				63	539990247	1	Lockwasher, 7/16
				64	539976998	4	Zerk

# DECALS

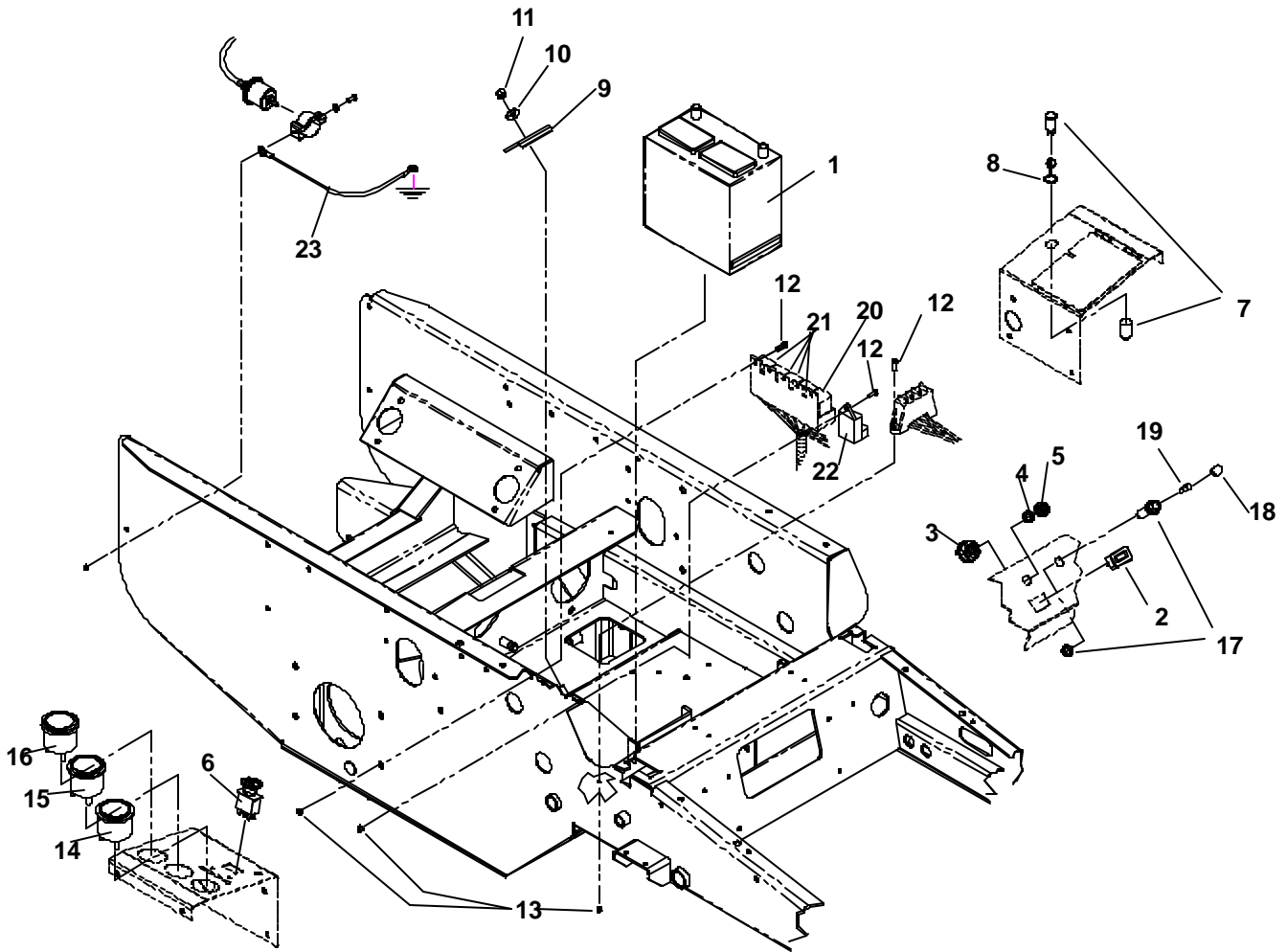


**DECALS**

---

ITEM	PART NO.	QTY.	DESCRIPTION
1	539913010	1	Decal, CPSC
2	539105746	1	Decal, Euro servering
3	539108335	1	Decal, Belt routing
4	539104790	2	Decal, Husqvarna
5	539105744	1	Decal, Euro danger, belt drives
6	539105232	1	Decal, Anti-scalp
7	539105803	1	Decal, crown
8	539105745	1	Decal, Euro battery warning
9	539101881	1	Decal, Prop 65
10	539103333	2	Decal, Motion control
11	539105785	1	Decal, Euro warning
12	539105743	2	Decal, Euro no step
13	539108121	1	Decal, Front Console
14	539105301	1	Decal, Mobil
15	539105334	1	Decal, Fuel valve
16	539104899	1	Decal, Height indication
17	539104898	1	Decal, Height indication
18	539106248	1	Decal, BZ6134D
19	539106250	1	Decal, BZ7234D
20	539106252	1	Decal, BZ6127D
21	539108124	1	Decal, Service
22	539108122	1	Decal, Right Console
23	539108123	1	Decal, 12V DC
24	539108262	1	Decal, 34 Turbo, left
	539108264	1	Decal, 27 Diesel, left
25	539108263	1	Decal, 34 Turbo, right
	539108265	1	Decal, 27 Diesel, right
26	539108497	1	Decal, HOT
	539100128	1	Decal, engine exhaust (Not shown)

# ELECTRICAL GROUP

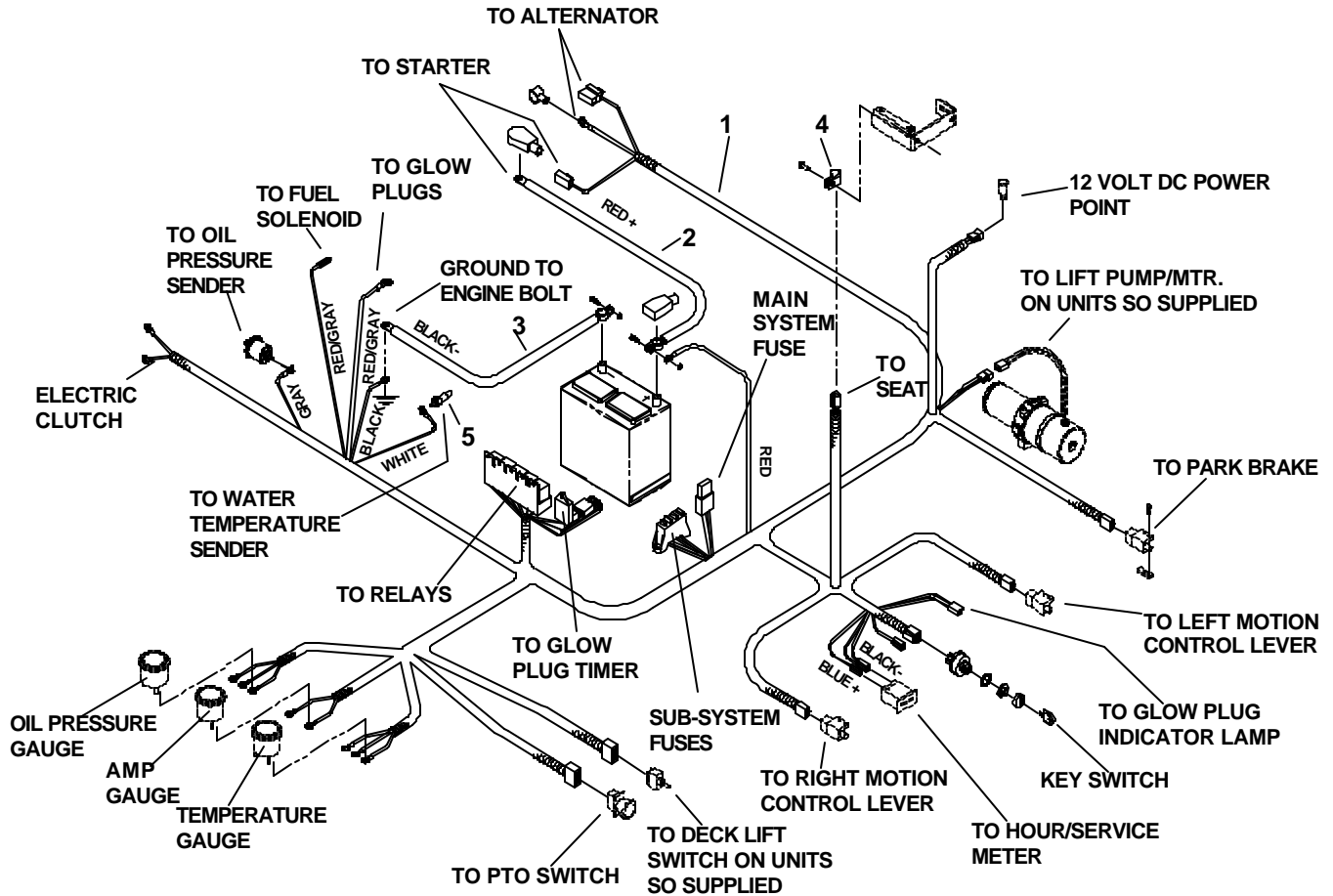


**ELECTRICAL GROUP**

---

ITEM	PART NO.	QTY.	DESCRIPTION
1	539102423	1	Battery
2	539108016	1	Hourmeter, LCD w/flash alert
3	539101770	1	Switch, ignition
4	539103177	1	Nut, ignition switch
5	539103178	1	Cap, ignition switch nut
6	539101768	1	Switch, clutch
7	539107856	1	Power source housing
8	539107857	1	Power source cap
9	539107755	1	Clamp
10	539990692	1	Washer, 5/16
11	539990717	1	Nut, 5/16-18
12	539106312	5	Bolt, , #10-24 x 3/4
13	539976977	5	Nut, #10-24, nyloc
14	539105246	1	Gauge, temperature
15	539106388	1	Gauge, amperes
16	539106387	1	Gauge, oil pressure
17	539107920	1	Lamp socket
18	539108174	1	Lens
19	539108175	1	Lamp
20	539108361	1	Relay, Glow Plug
21	539102914	4	Relay
22	539108348	1	Timer/glow plug
	539101771	1	Fuse, 7.5 AMP, 32 volts, (Not Shown)
	539102086	1	Fuse, 20 AMP, 32 volts, (Not Shown)
	539108978	1	Fuse, 10 AMP, 32 volts, (Not Shown)
	539108979	1	Fuse, 30 AMP, 32 volts, (Not Shown)
	539108980	1	Fuse, 50 AMP, 32 volts, (Not Shown)
23	539109346	1	Ground

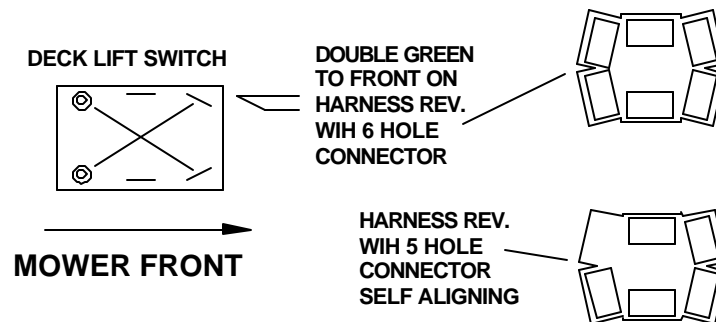
# WIRE HARNESS



**ITEM PART NO. QTY. DESCRIPTION**

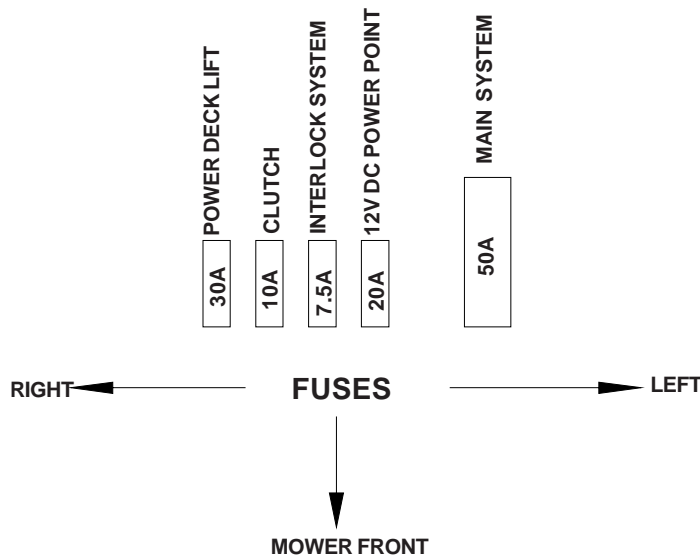
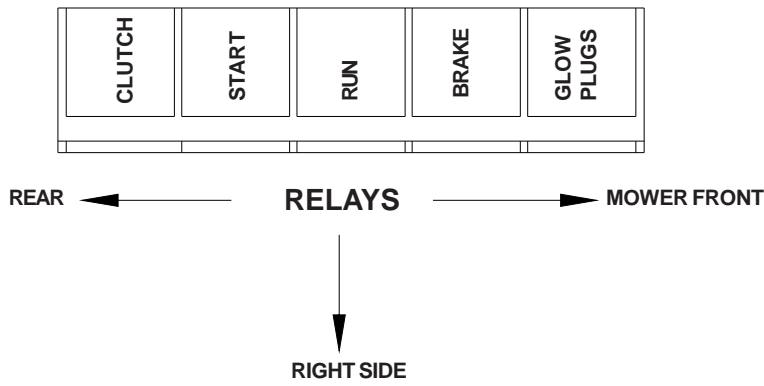
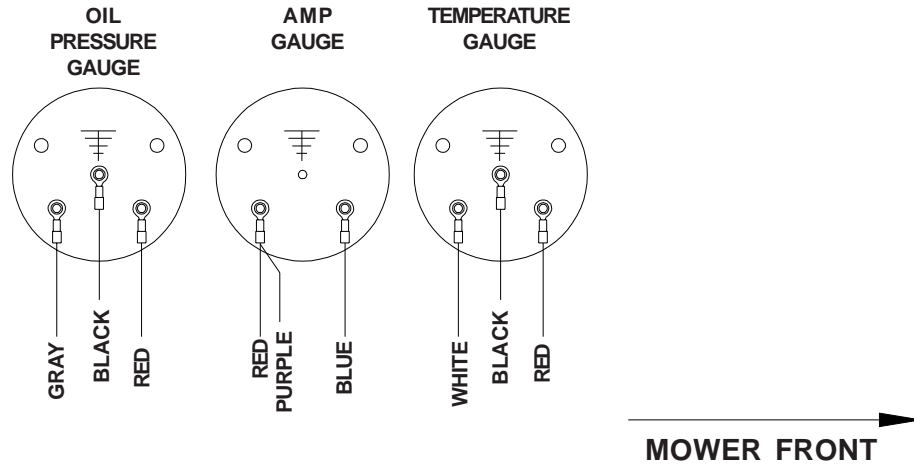
ITEM	PART NO.	QTY.	DESCRIPTION
1	539106390	1	Harness, engine, diesel
2	539107941	1	Cable, positive
3	539107942	1	Cable, negative
4	539102685	1	Loom clip
5	539106386	1	Sender, temperature

**DECK LIFT SWITCH  
VIEWED FROM TERMINAL SIDE**

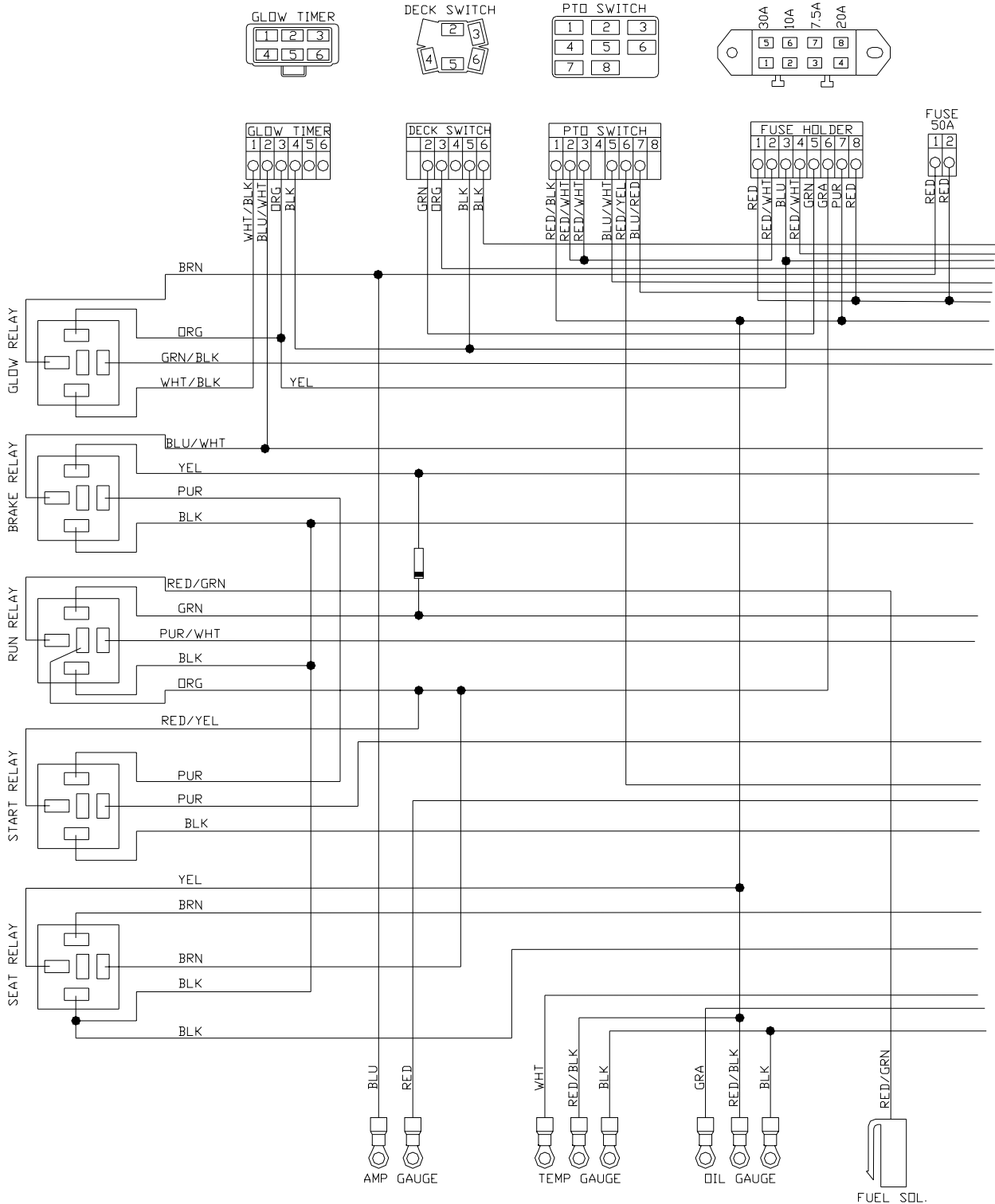


# WIRE HARNESS

## GAUGE WIRING VIEWED FROM TERMINAL SIDE

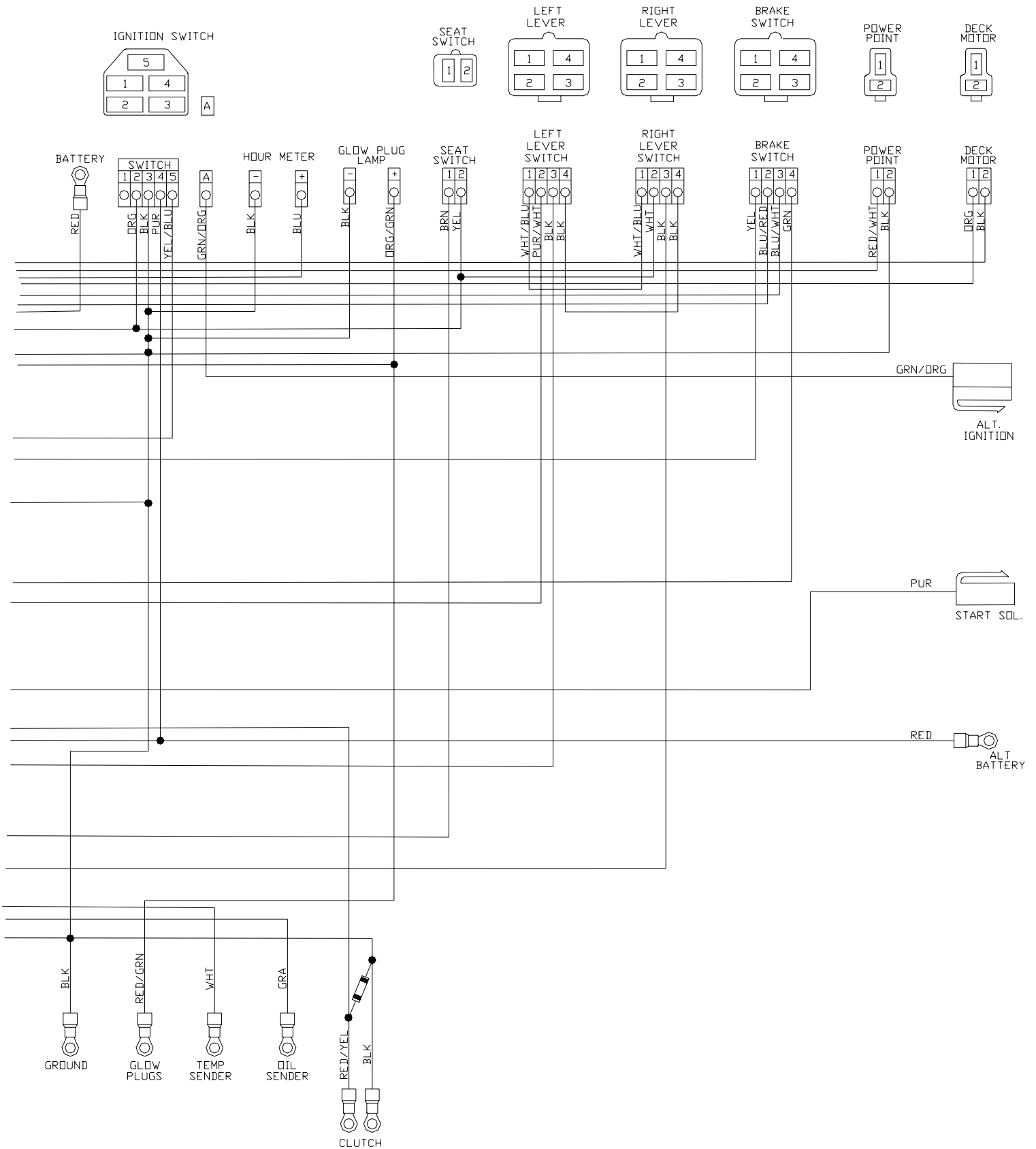


# WIRING SCHEMATIC





# WIRING SCHEMATIC



For Husqvarna Parts Call 606-678-9623 or 606-561-4983



[www.mymowerparts.com](http://www.mymowerparts.com)