

## MAINTENANCE JACK ASSEMBLY

PART NO. 539108201

FOR

### BROAD AREA MOWERS

Fits Model Numbers: BZ6134D (968999214)  
BZ7234 D (968999216)

This hydraulic jack will aid in the maintenance of the deck on the broad area mower.

#### INSTALLATION:

1. Lower the deck to the lowest position.
2. Turn off engine, remove key and apply parking brake.
3. Mount the cross rail weldment on to the front frame tubes using the clamp plates and hardware. Make sure that the caster wheels can pivot 360 degrees freely. Adjust the cross rail weldment accordingly. See Figure 1.

**NOTE:** The cross rail weldment may not be positioned equally on the front frame tubes in order for the caster wheel to move freely.

4. Remove hydraulic lines from the deck hydraulic cylinder. Attach the two tees to the cylinder, then reattach the deck lines to the tees. See Figure 2.
5. Attach the new shorter (39.5") hydraulic line to the base end tee of the deck cylinder and attach the longer (42") line to the rod end tee of the deck cylinder. See Figure 2.
6. Route the hydraulic lines toward the front threading the lines through an opening above the front frame tube. See Figure 2.
7. Attach the longest hydraulic line to the rod end port on the jack lift cylinder, attach the shorter hydraulic line to the base end port on the jack lift cylinder. See Figure 3.

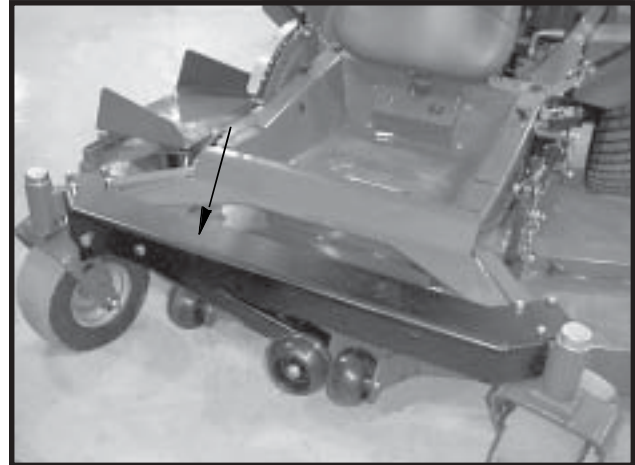


FIGURE 1

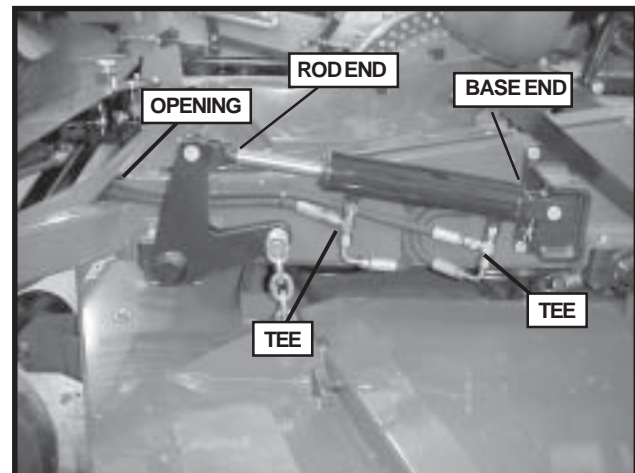


FIGURE 2

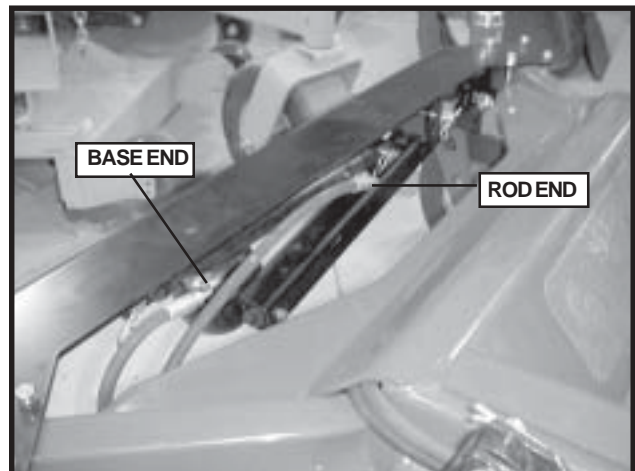


FIGURE 3

- Using the wire ties, attach the hydraulic lines so that they do not come in contact with any hot or moving parts. See Figure 4.
- You will need to bleed the hydraulic lines to remove any air that was trapped when hooking the hydraulic lines up. Using the mower deck lift switch, raise and lower the deck until this operation runs smoothly.
- Check the auxiliary hydraulic power unit located under the seat and add hydraulic fluid if necessary. Remove the vent bolt on the power unit and only fill to within 3/4 of an inch below the top. See Figure 5.

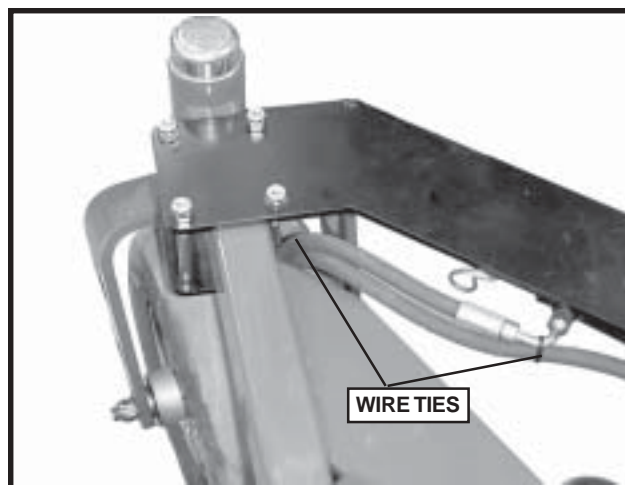


FIGURE 4

## OPERATION:

**NOTE:** Make sure the seat is not raised and the caster wheels are facing forward.

- Remove cotter and safety clevis pin from the cross rail weldment. Figure 6.
- Using the mower deck lift switch, pull back on the switch, this will cause the leg of the jack assembly to lower, raising the mower deck for maintenance.



## CAUTION

- When the jack is fully extended, reinsert the safety clevis pin and cotter pin back in to the hole to hold the unit in a safe position.
- Any hydraulic system maintenance **MUST** be performed with the tilt cylinder retracted (shortest) position.



## WARNING

If a leak is suspected, use a piece of cardboard or wood, **NOT** your hands, to check for leaks.

Escaping hydraulic oil under pressure can have sufficient force to penetrate the skin, causing serious injury.

If injured by escaping fluid, see a doctor at once. Serious infection or reaction can develop if proper medical treatment is not administered.

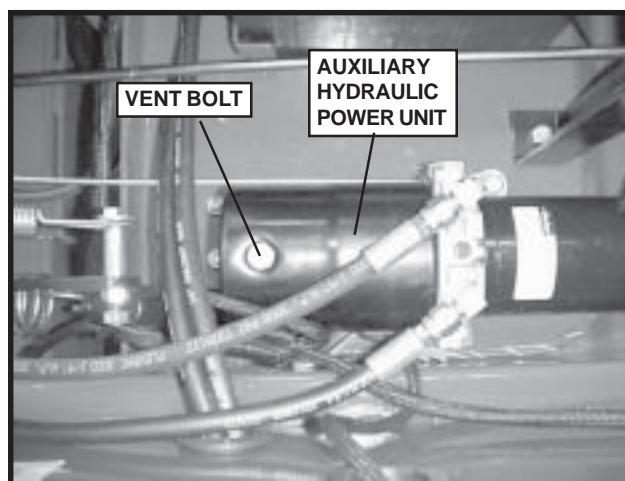


FIGURE 5

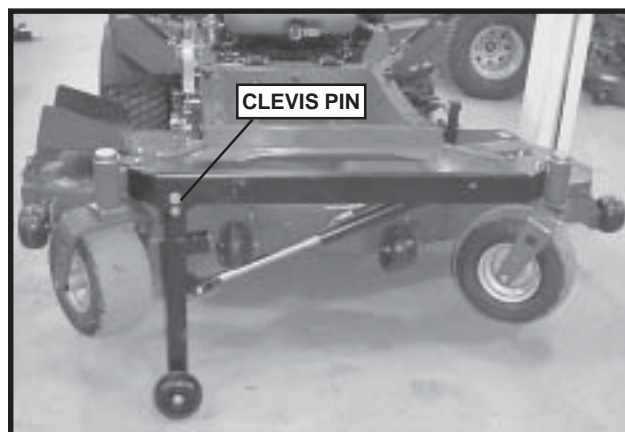
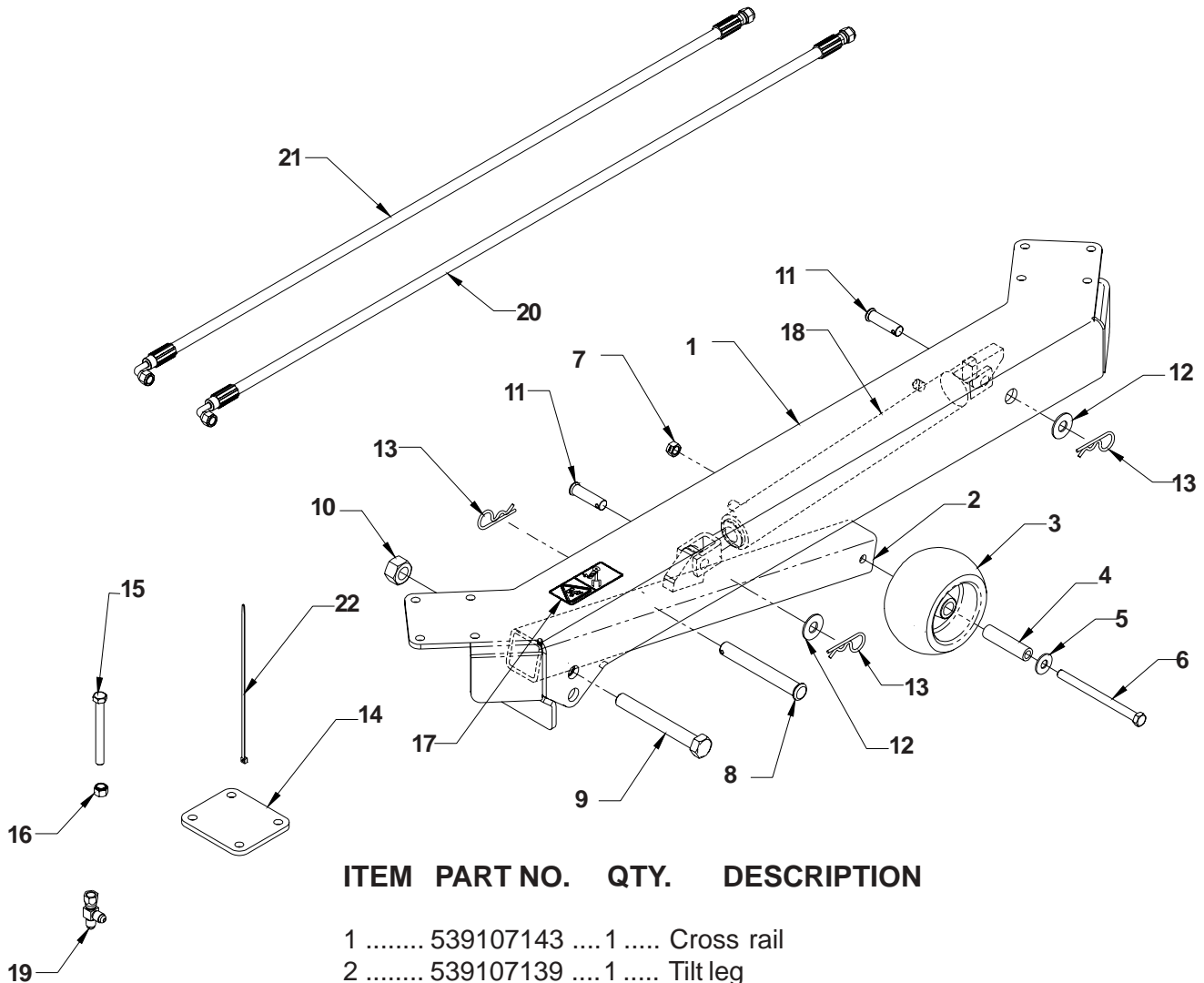


FIGURE 6



**ITEM PART NO. QTY. DESCRIPTION**

1	539107143	1	Cross rail
2	539107139	1	Tilt leg
3	539102643	1	Anti-scalp roller
4	539102698	1	Bushing
5	539990517	1	Washer, 3/8
6	539108204	1	Screw, 3/8-16 x 5, GR 5
7	539990546	1	Nut, 3/8-16, center lock
8	539107228	1	Clevis pin, 5/8" x 4 3/4"
9	539108203	1	Screw, 5/8-11 x 5, GR 5
10	539300256	1	Nut, 5/8-11, nyloc
11	539107227	2	Clevis pin, 1/2" x 1 3/4"
12	539990550	2	Washer, 1/2
13	539976989	3	Hairpin, #4
14	539108205	2	Clamp plate
15	539102754	8	Screw, 3/8-16 x 3 1/2
16	539976979	8	Nut, 3/8-16, nyloc
17	539108245	1	Decal, cylinder safety
18	539107770	1	Hydraulic cylinder
19	539107872	2	Hydraulic tee
20	539108176	1	Hydraulic hose, 42"
21	539108177	1	Hydraulic hose, 39 1/2"
22	539976856	4	Wire tie

(539 prefix is optional in some applications)