



Illustrated  
Parts List

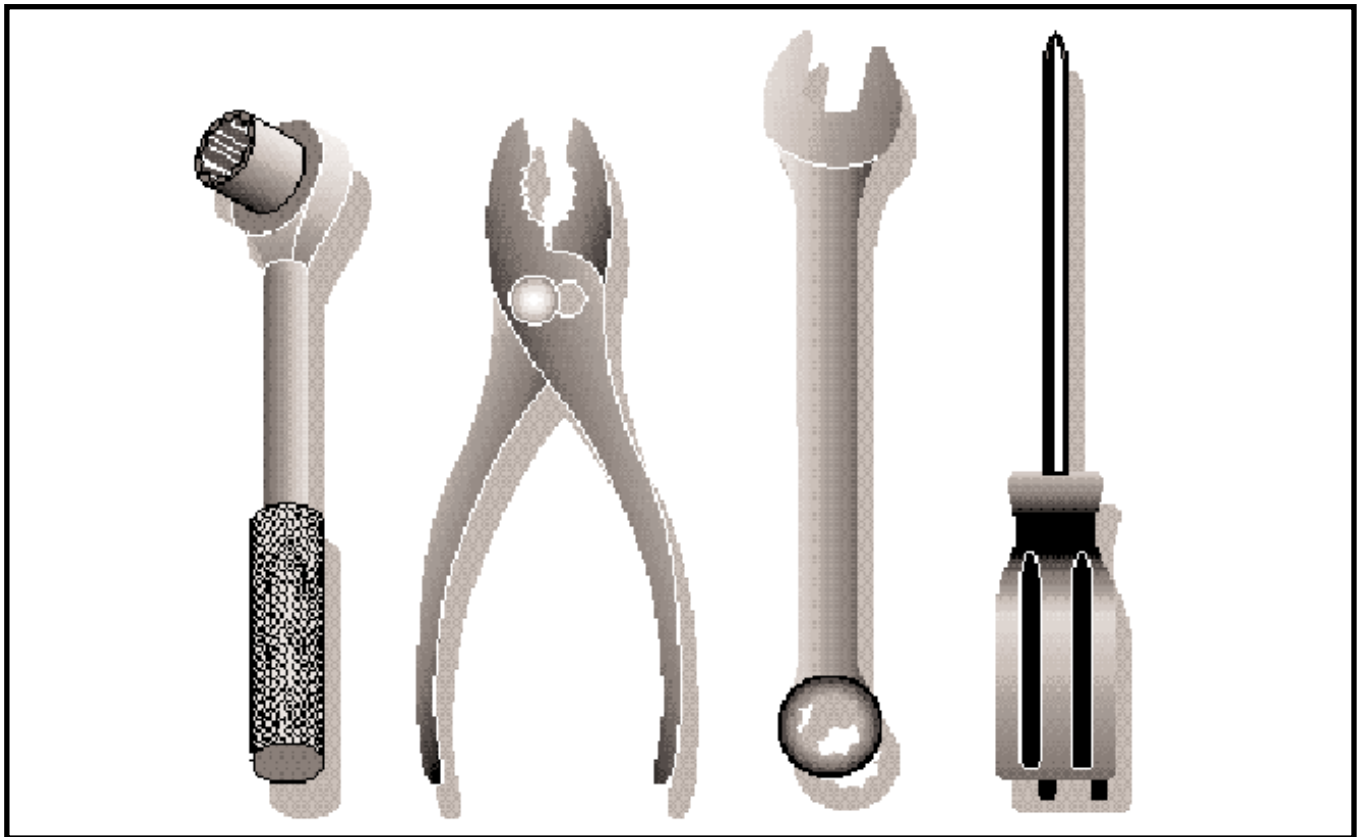
2003-10

I0302021

Walk Mower

# 65RSW21HVB

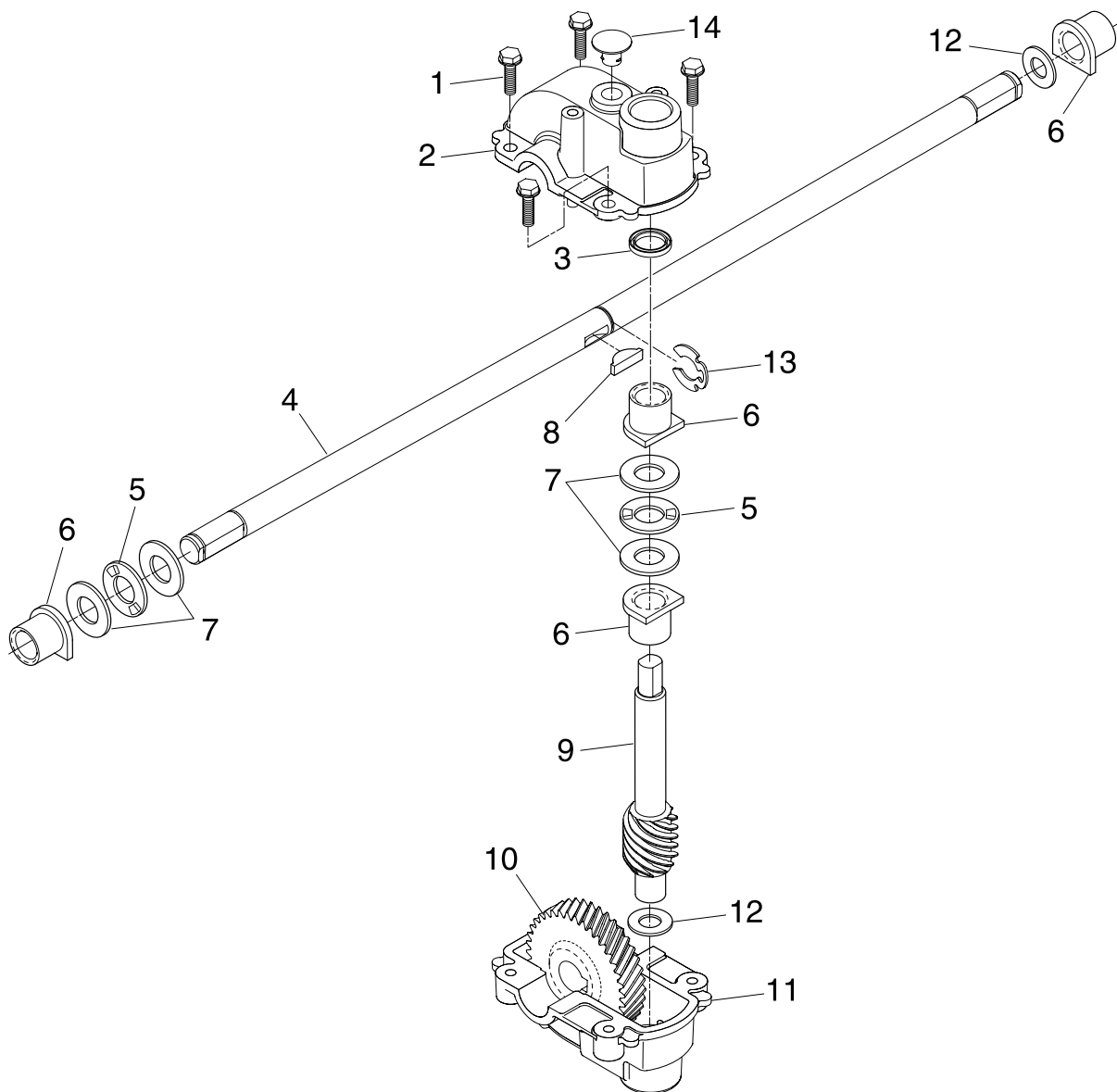
(65C21HVB, 917.374781)



Repair Parts Manual

For Husqvarna Parts Call 606-678-9623 or 606-561-4983

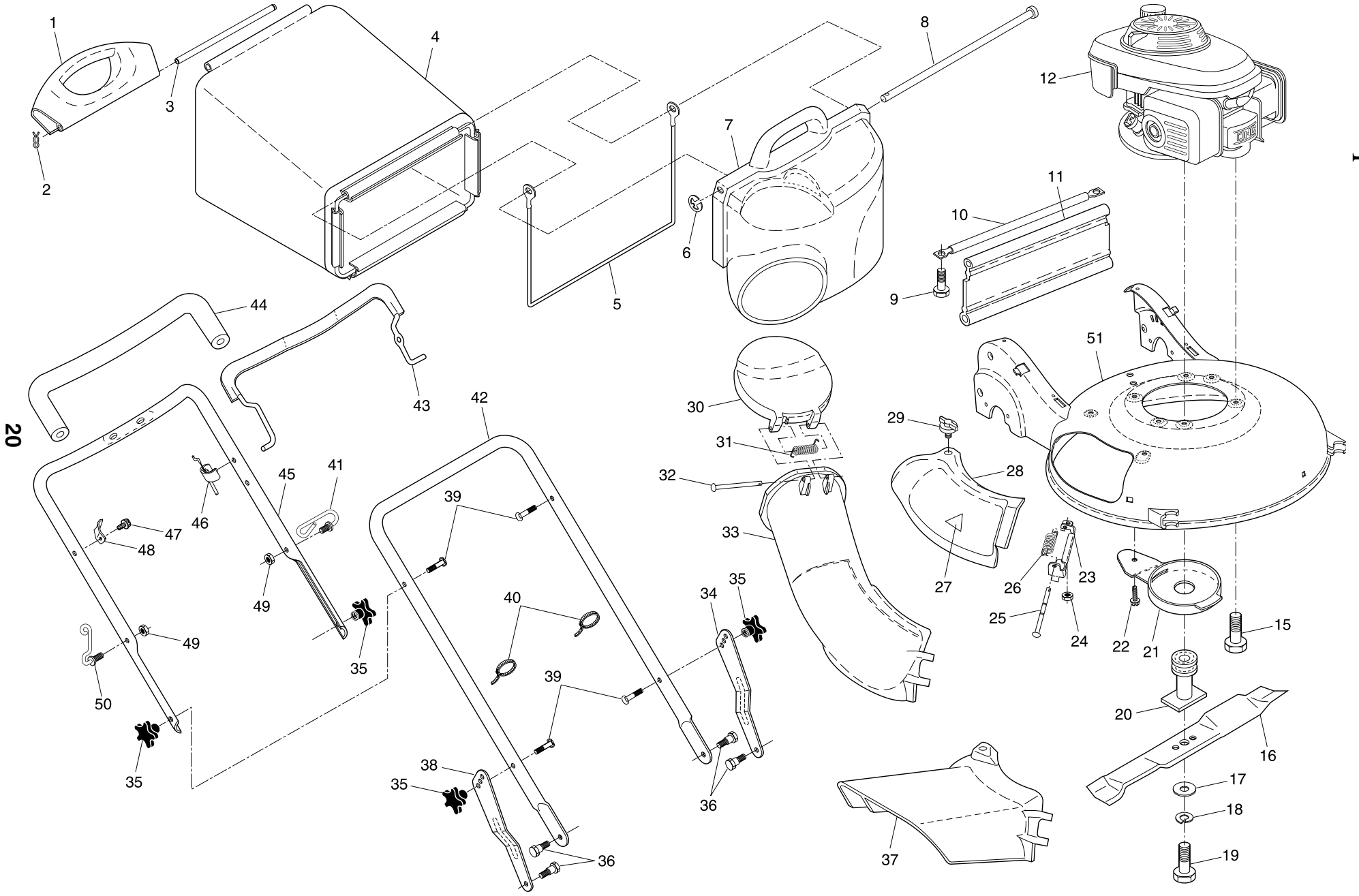
For Husqvarna Parts Call 606-678-9623 or 606-561-4983  
**ROTARY LAWN MOWER - - MODEL NUMBER 917.374781 (65RSW21HVB)**  
**GEAR CASE ASSEMBLY - - PART NUMBER 532183699**



| KEY NO. | PART NO.  | DESCRIPTION                                 |
|---------|-----------|---|
| 1       | 817541011 | Screw, Tapping #10-24 x .668                |
| 2       | 532160672 | Gear Case, Upper                            |
| 3       | 532057072 | Seal  |
| 4       | 532183908 | Drive Shaft                                 |
| 5       | 532160818 | Bearing, Needle, Thrust                     |
| 6       | 532077881 | Bearing                                     |
| 7       | 532160817 | Washer, Thrust                              |
| 8       | 532850848 | Key, Hi-pro                                 |
| 9       | 532184134 | Shaft, Worm                                 |
| 10      | 532160679 | Gear, Helical                               |
| 11      | 532160673 | Gear Case, Lower                            |
| 12      | 532057079 | Washer, Hardened                            |
| 13      | 812000039 | E-Ring                                      |
| 14      | 532086447 | Plug  |
| --      | 532750369 | Grease                                      |
| --      | 532184208 | Kit, Gearcase Replacement (Includes Grease) |

**NOTE:** All component dimensions given in U.S. inches.  
 1 inch = 25.4 mm

# ROTARY LAWN MOWER - - MODEL NUMBER 917.374781 (65RSW21HVB)



www.mymowerparts.com

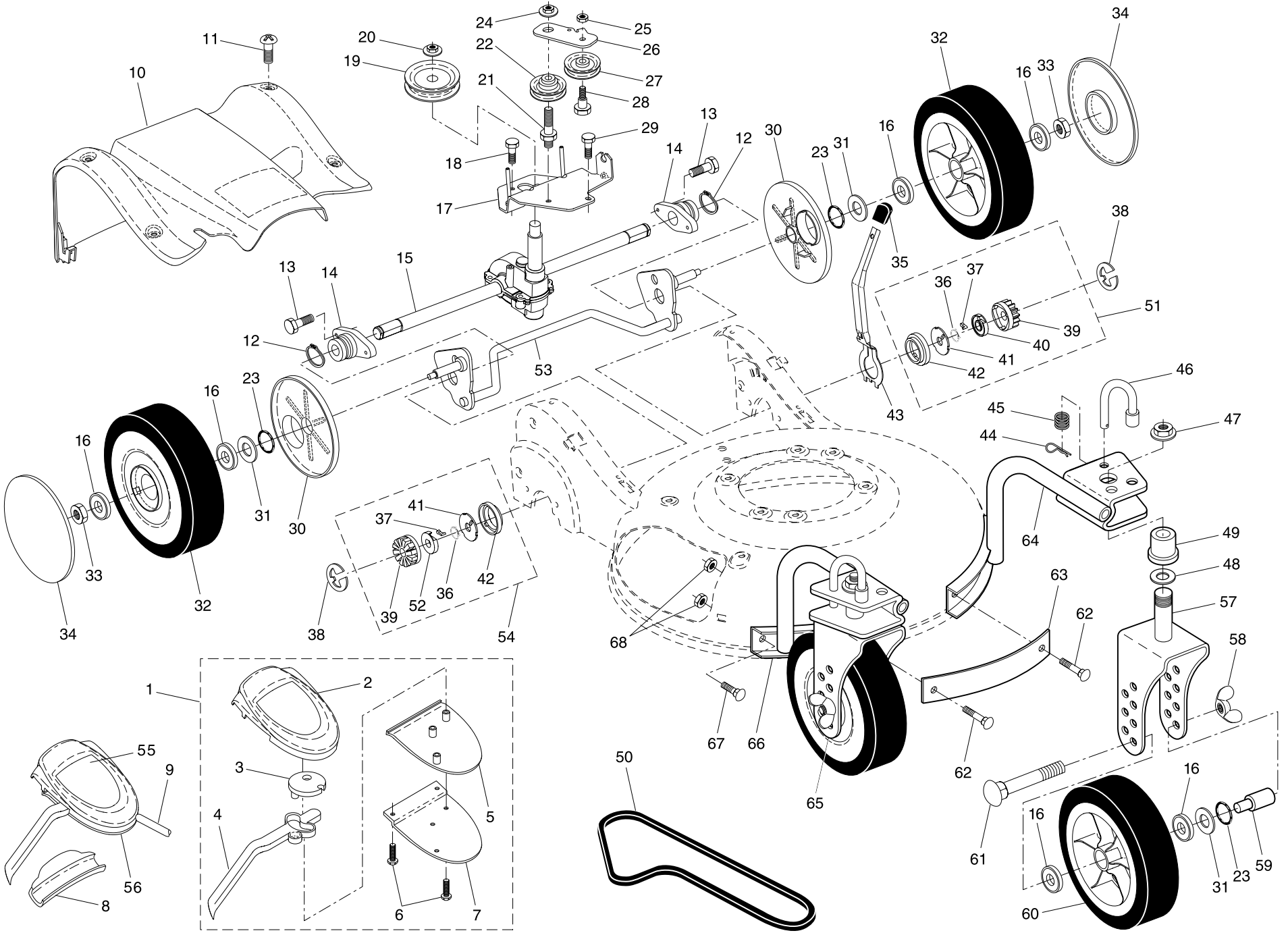
For Husqvarna Parts Call 606-678-9623 or 606-561-4983

## ROTARY LAWN MOWER - - MODEL NUMBER 917.374781 (65RSW21HVB)

| KEY NO. | PART NO.  | DESCRIPTION  | KEY NO. | PART NO.  | DESCRIPTION   |
|---------|-----------|--|---------|-----------|---|
| 1       | 532188513 | Handle, Grassbag, Rear   | 29      | 532183447 | Knob  |
| 2       | 532065322 | Hairpin Cotter   | 30      | 532188499 | Door, Discharge Chute   |
| 3       | 532183483 | Rod, Rear Handle, Grassbag   | 31      | 532183478 | Spring, Door, Discharge Chute   |
| 4       | 532188367 | Grassbag   | 32      | 532183445 | Rod, Door, Discharge Chute  |
| 5       | 532183481 | Frame, Grassbag  | 33      | 532186000 | Discharge Chute, Plastic  |
| 6       | 812000014 | E-Ring   | --      | 532188660 | Discharge Chute Assembly, Complete<br>(Consists of Key Numbers 30-33) |
| 7       | 532188500 | Door, Grassbag   | 34      | 532187425 | Adjustment Bracket, Lower Handle, LH                                  |
| 8       | 532183479 | Rod, Pivot   | 35      | 532185588 | Knob, Star  |
| --      | 532188656 | Grassbag Assembly, Complete<br>(Consists of Key Numbers 1-8)                 | 36      | 532183465 | Bolt, Shoulder  |
| 9       | 817411318 | Screw  | 37      | 532185996 | Deflector, Discharge  |
| 10      | 532184331 | Tube, Rear Skirt   | 38      | 532187426 | Adjustment Bracket, Lower Handle, RH                                  |
| 11      | 532183463 | Skirt, Rear  | 39      | 532184568 | Bolt, Handle  |
| 12      | ---       | Engine, Honda, Model Number GCV190<br>(Order parts from Engine Manufacturer) | 40      | 532066426 | Wire Tie  |
| 15      | 532150406 | Bolt, Engine Mounting  | 41      | 532187162 | Bracket, Anti-Fold  |
| 16      | 532159267 | Blade, 21"   | 42      | 532187096 | Handle Assembly, Lower  |
| 17      | 532851074 | Washer, Hardened   | 43      | 532186298 | Bail, Control   |
| 18      | 532850263 | Washer, Lock   | 44      | 532182748 | Grip, Foam  |
| 19      | 532183431 | Screw, Hex Head, Grade 8   | 45      | 532186296 | Handle Assembly, Upper (Includes Foam Grip)                           |
| 20      | 532183428 | Adapter, Blade   | 46      | 532183473 | Cable, Engine Zone Control  |
| 21      | 532183690 | Debris Shield  | 47      | 532184570 | Screw   |
| 22      | 817600406 | Screw, Hex Head, Serrated  | 48      | 532125203 | Bracket, Upstop   |
| 23      | 532183609 | Mounting Bracket, Mulcher Door   | 49      | 532184569 | Nut, Hex  |
| 24      | 532751152 | Nut, Hex   | 50      | 532183469 | Rope Guide  |
| 25      | 532183445 | Rod, Hinge   | 51      | 532186477 | Kit, Housing  |
| 26      | 532183446 | Spring, Mulcher Door   | --      | 532162300 | Decal, Warning (not shown)  |
| 27      | 532107339 | Decal, Danger  | --      | 532188686 | Owner's Manual  |
| 28      | 532185995 | Mulcher Door   |         |           |   |

**NOTE:** All component dimensions given in U.S. inches.  
1 inch = 25.4 mm

# ROTARY LAWN MOWER - - MODEL NUMBER 917.374781 (65RSW21HVB)



22

## ROTARY LAWN MOWER - - MODEL NUMBER 917.374781 (65RSW21HVB)

| KEY NO. | PART NO.         | DESCRIPTION   | KEY NO. | PART NO.  | DESCRIPTION                              |
|---------|------------------|---|---------|-----------|--|
| 1       | 532185312        | Drive Control Assembly, Complete<br>(Consists of Key Numbers 2 through 7) | 36      | 532188291 | Spring, Torsion                          |
| 2       | 532188279        | Cover, Drive Control, Top   | 37      | 532175098 | Pawl                                     |
| 3       | 532187353        | Pulley, Drive Control   | 38      | 812000058 | E-Ring                                   |
| 4       | 532185964        | Lever, Drive Control (blue)   | 39      | 532175103 | Gear                                     |
| 5       | 532188278        | Cover, Drive Control, Bottom  | 40      | 532175105 | Retainer, Drive, LH                      |
| 6       | 532181698        | Screw, Torx Head #8-5/8   | 41      | 532175104 | Disc, Drive                              |
| 7       | 532187097        | Bracket, Mounting, Drive Control  | 42      | 532184172 | Seal, Friction                           |
| 8       | 532186297        | Cap, Drive Control, Bottom  | 43      | 532187681 | Lever, Selector, Wheel Height, Rear      |
| 9       | <b>532180612</b> | Cable, Drive Control  | 44      | 532065322 | Hairpin                                  |
| 10      | 532185997        | Cover Assembly, Drive   | 45      | 532185051 | Spring                                   |
| 11      | 532184571        | Screw, Hex Washer Head 1/4-20 x 1/2                                       | 46      | 532185054 | Rod, Lock                                |
| 12      | 812000012        | Ring, Retaining   | 47      | 532187247 | Nut, Hex, Flangelock                     |
| 13      | 532183450        | Screw   | 48      | 819171713 | Washer, Flat 1/2                         |
| 14      | 532187120        | Bearing / Axle Support  | 49      | 532188435 | Bushing                                  |
| 15      | 532183699        | Gear Case Assembly (See Breakdown)  | 50      | 532183688 | Belt, Drive                              |
| 16      | 532751068        | Bearing, Ball (Wheel)   | 51      | 532188331 | Pinion Assembly, LH                      |
| 17      | 532187093        | Bracket, Gear Case / Drive Pulley   | 52      | 532175102 | Retainer, Drive, RH                      |
| 18      | 817541011        | Screw   | 53      | 532187091 | Rear Axle Assembly                       |
| 19      | 532184749        | Pulley, Drive   | 54      | 532188330 | Pinion Assembly, RH                      |
| 20      | 532132010        | Nut, Hex, Flangelock  | 55      | 532187356 | Decal, Drive Control                     |
| 21      | 532183701        | Bolt, Idler   | 56      | 532185913 | Decal, Drive Control Adjustment (bottom) |
| 22      | 532184543        | Pulley Assembly, V-Groove   | 57      | 532188682 | Bracket, Caster Wheel, LH                |
| 23      | 532188152        | O-Ring  | 58      | 532187248 | Wing Nut 5/16-18                         |
| 24      | 532145212        | Nut, Hex, Flangelock  | 59      | 532185111 | Spacer                                   |
| 25      | 873930500        | Nut, Hex, Lock  | 60      | 532186440 | Wheel Assembly, Front 9 x 2              |
| 26      | 532187098        | Idler Arm   | 61      | 872270528 | Bolt, Carriage 5/16-18 x 3-1/2           |
| 27      | 532166043        | Pulley, Idler   | 62      | 532187474 | Bolt, Carriage 5/16-18 x 7/8             |
| 28      | 532160829        | Bolt, Hex Head, Shoulder  | 63      | 532188475 | Strap, Front                             |
| 29      | 817060410        | Screw 1/4-20 x 1/16   | 64      | 532188681 | Support Tube Assembly, LH                |
| 30      | 532183457        | Cover, Dust, Wheel  | 65      | 532188684 | Bracket, Caster Wheel, RH                |
| 31      | 532088348        | Washer, Flat 3/8  | 66      | 532188683 | Support Tube Assembly, RH                |
| 32      | 532184368        | Wheel Assembly, Rear 9 x 2-1/4  | 67      | 532187555 | Bolt, Carriage 5/16-18 x 5/8             |
| 33      | 532083923        | Nut, Hex  | 68      | 532187263 | Nut, Hex 5/16                            |
| 34      | 532183695        | Hubcap  |         |           |  |
| 35      | 532185994        | Knob  |         |           |  |

**NOTE:** All component dimensions given in U.S. inches.  
1 inch = 25.4 mm