

## INSTRUCTION SHEET FOR BRAKE BAND SUPPORT KIT (part # 539106792)

### KIT WILL FIT THE FOLLOWING MODELS:

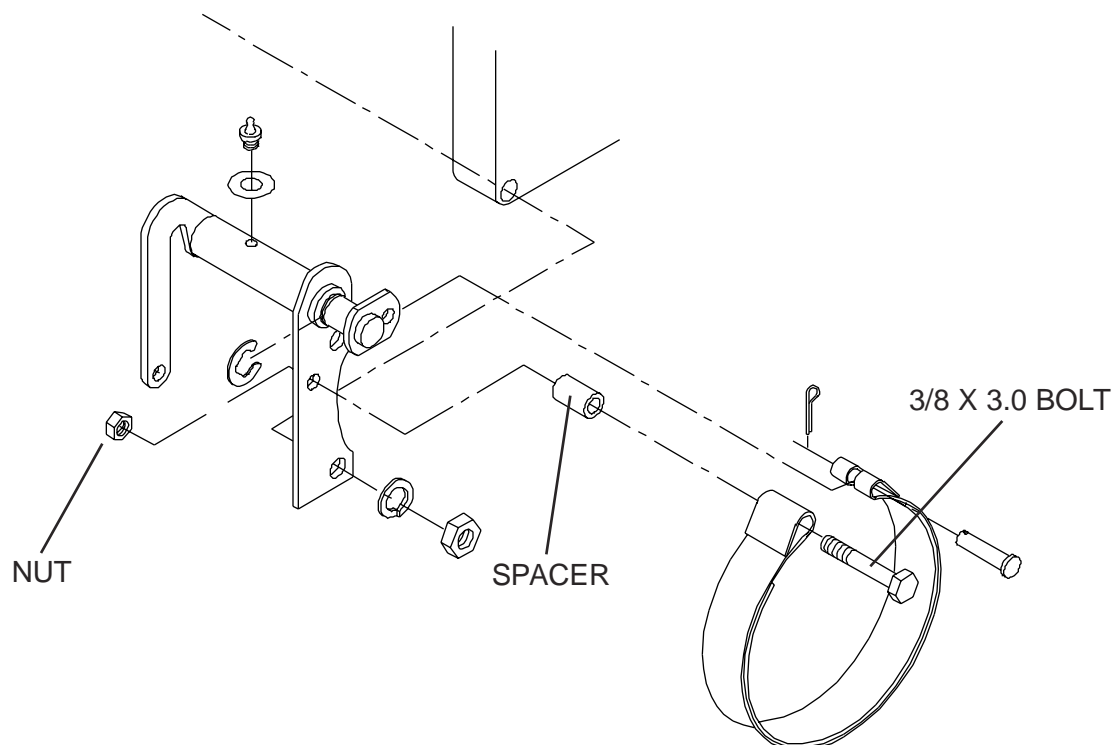
968999159 THRU 166 & 171-173-175-178-179-180 THRU 189-201-202

ZVKH52230-ZVKW52250-ZVKW61230-ZVKHL61230-ZVKH61250-ZVKW61250-ZVKH61260-  
ZVKH61270-ZVKH72260-ZVKH72270

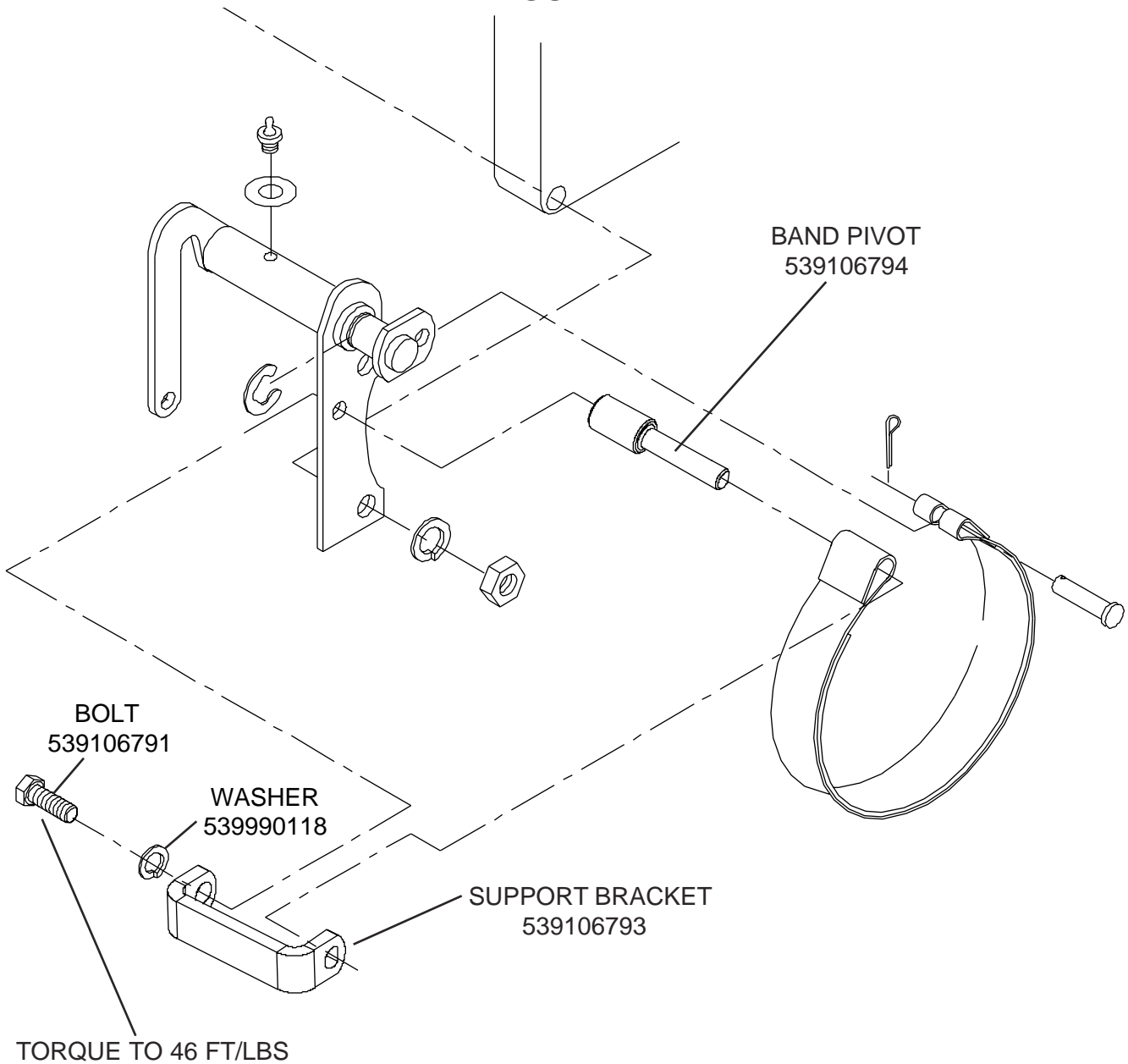
### Installation instructions:

1. Remove the key before performing any work on the machine.
2. Jack the rear of the machine up and remove the rear wheels. Use automotive style jack stands to secure unit.
3. Remove the HCS 3/8 x 3.0 bolt and nut from the brake band loop. Also remove the spacer.
4. Replace the HCS 3/8 x 3.0 bolt with the band pivot part no. 539106794.
5. Install support bracket part no. 539106793 as shown in figure 2. Install HCS 3/8 x 1.0 with lock washer through the brake bracket into the band pivot. Torque bolt to 46 ft/lbs
6. Repeat steps 3 through 5 on opposite side.

### OLD STYLE FIGURE 1



**NEW STYLE  
FIGURE 2**



**PARTS LIST**

<b>PART NO.</b>	<b>DESCRIPTION</b>
539106793 .....	SUPPORT BRACKET
539106791 .....	BOLT HCS 3/8 X 1.0
539990118 .....	WASHER 3/8 LOCK
539106794 .....	BAND PIVOT
539106792 .....	COMPLETE KIT