



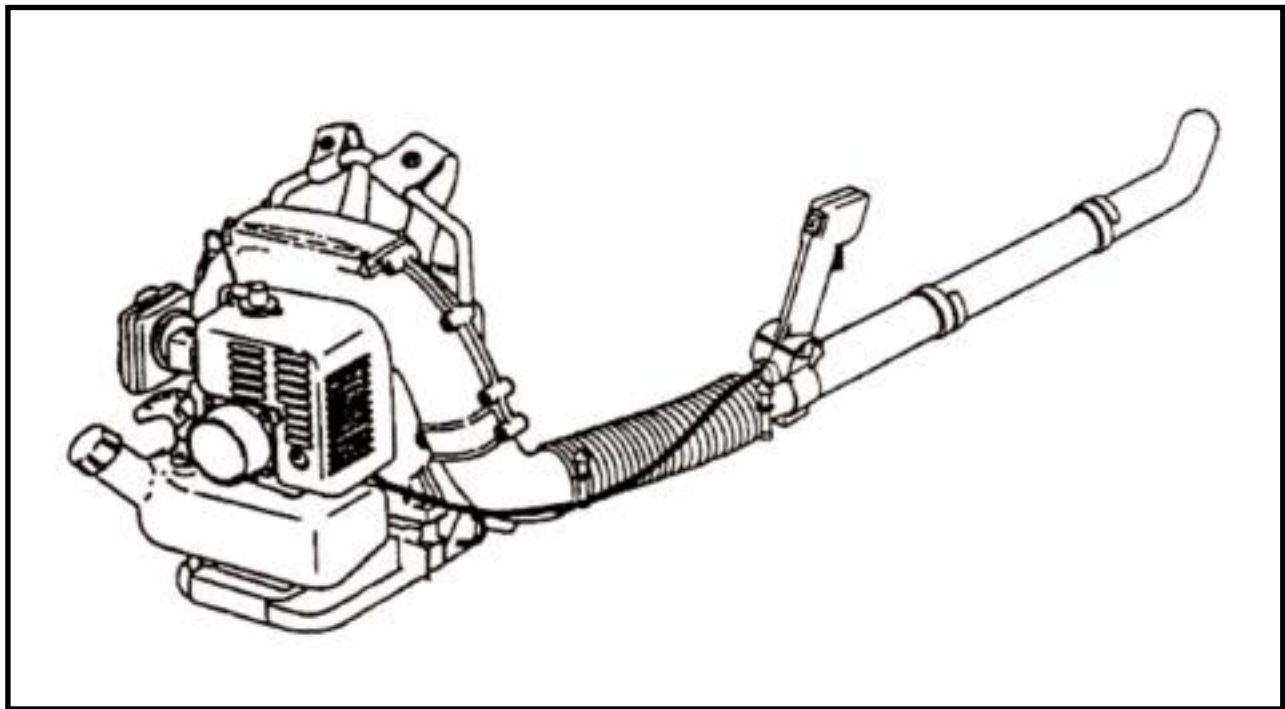
Illustrated Parts
List

2001-04

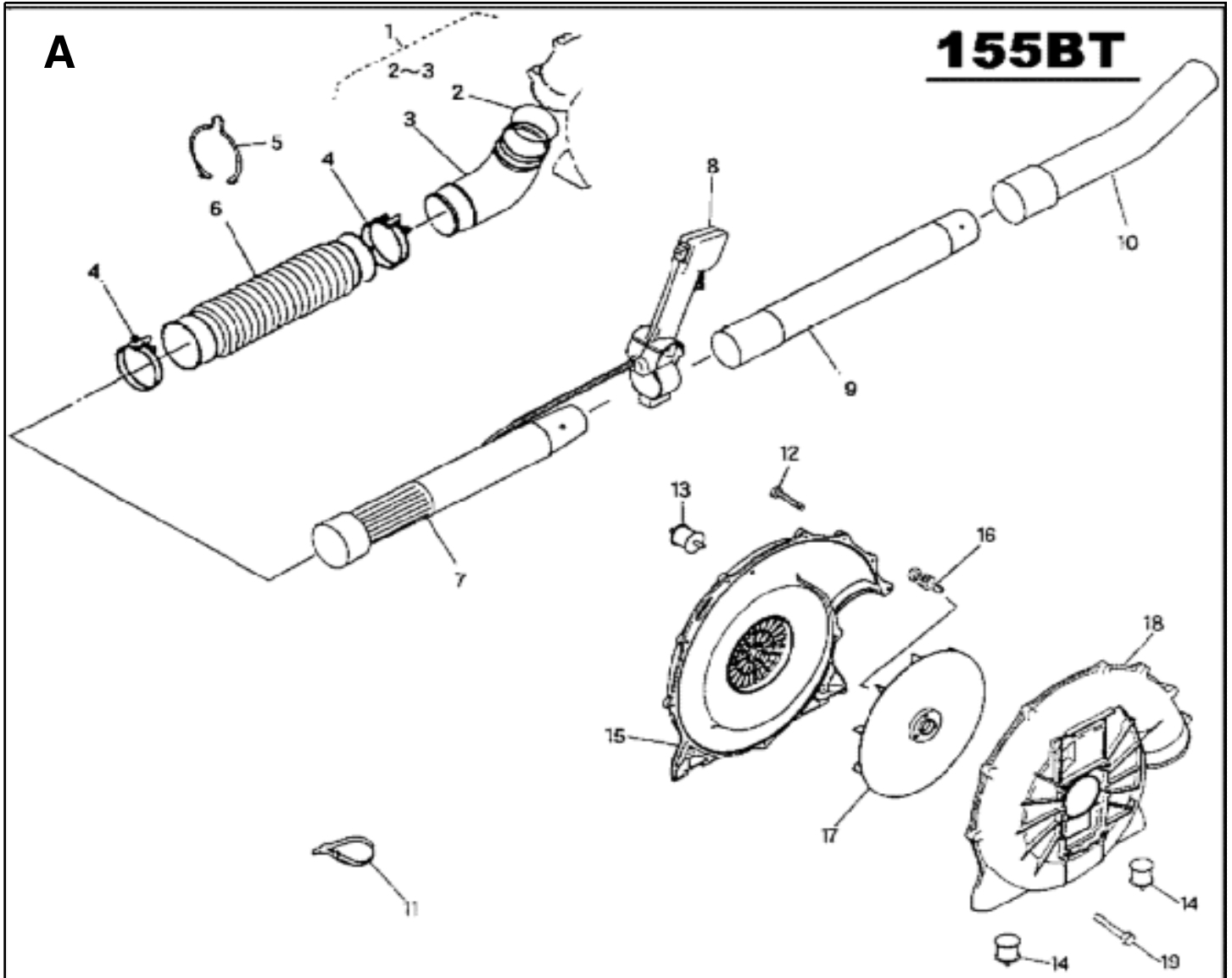
I0107006

155 BT

California (CARB II)



Backpack Blower

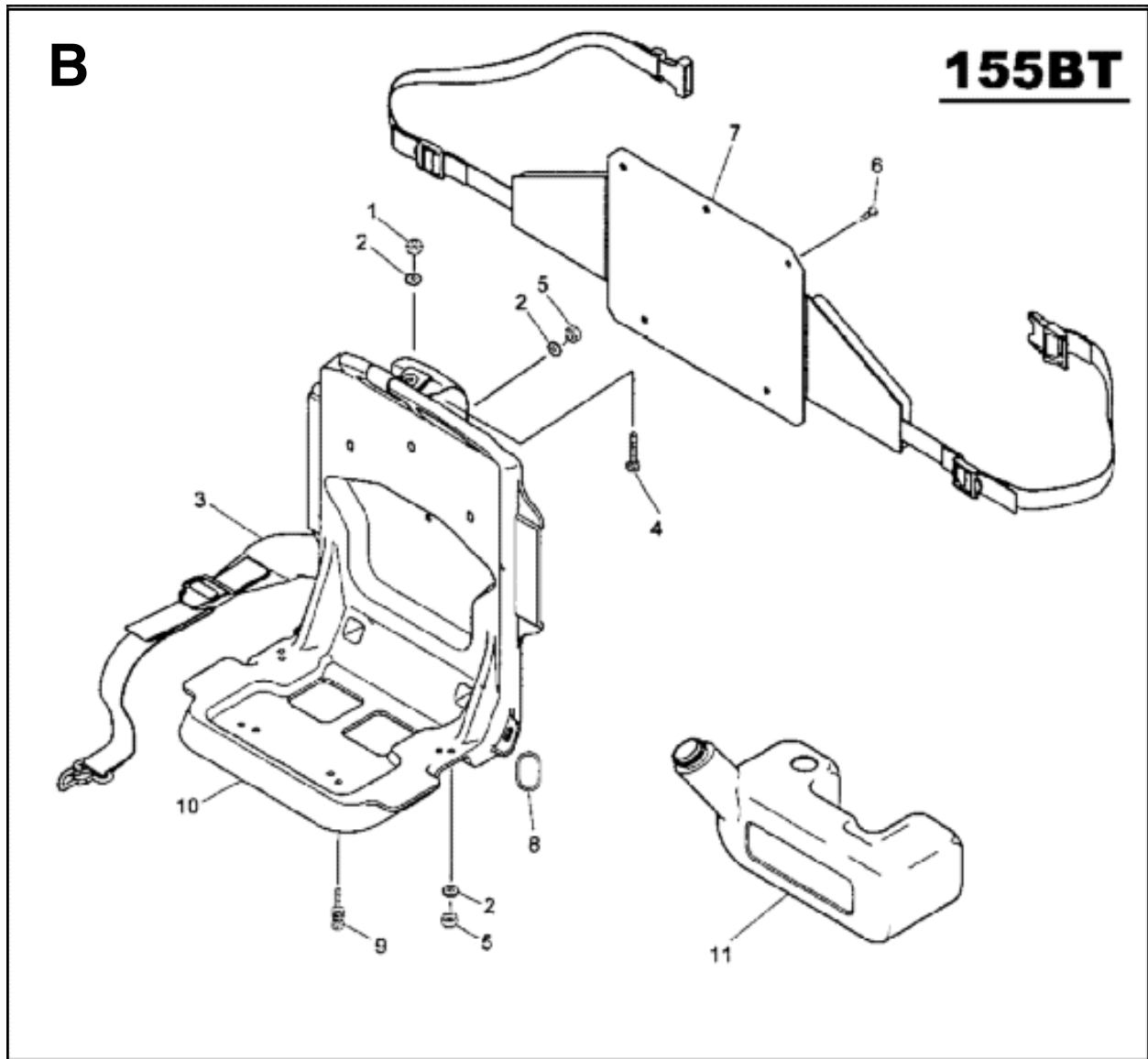


Ref. #	Part No.	Description
--------	----------	-------------

1	695 00 04-02	Elbow Pipe
2	695 00 00-05	O-Ring
3	695 00 00-18	Elbow Pipe
4	695 00 05-27	Hose Band
5	695 00 04-21	Wire Clamp
6	695 00 00-16	Flex Pipe
7	695 00 00-19	Base Pipe
8	695 00 06-32	Throttle Assy.
9	695 00 00-20	Middle Pipe
10	695 00 00-21	Bend Pipe

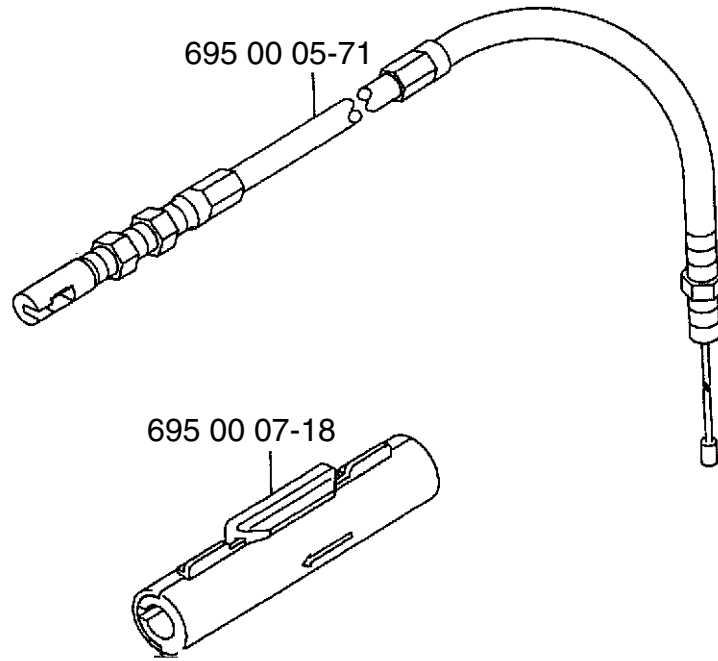
Ref. #	Part No.	Description
--------	----------	-------------

11	695 00 01-10	Wire Band
12	695 00 06-33	Tapping Screw
13	695 00 06-34	Isolating Rubber
14	695 00 06-35	Isolating Rubber
15	695 00 06-36	Fan case
16	695 00 06-37	Lock Bolt
17	695 00 06-38	Fan
18	695 00 06-39	Fan Case
19	695 00 06-40	Lock Bolt



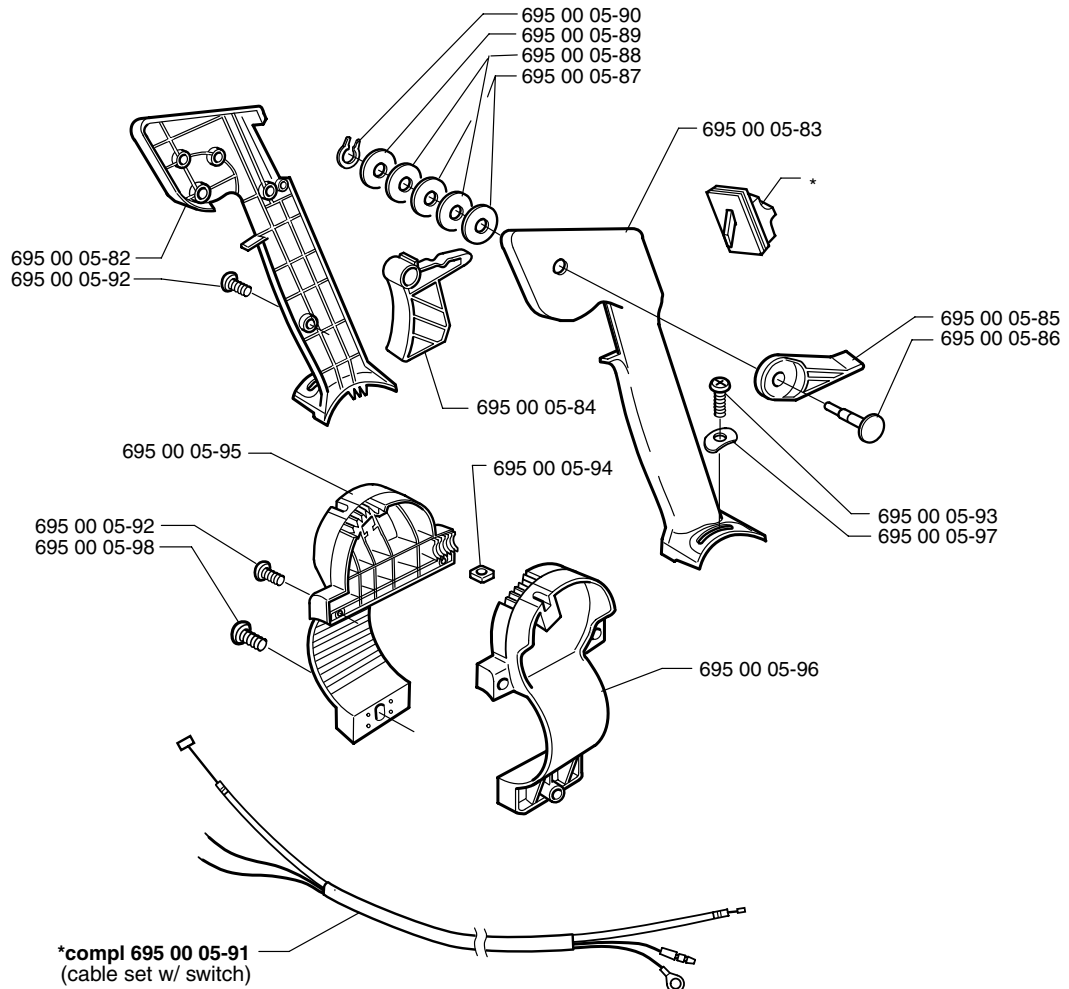
Ref #	Part No.	Description
1	695 00 00-38	Flange Nylon Nut
2	695 00 00-45	Washer
3	695 00 06-41	Shoulder Band
4	695 00 06-42	Truss Screw
5	732 26 18-01	U-Nut
6	695 00 06-43	Clip
7	695 00 06-44	Knapsack Pad
8	695 00 06-45	Ring
9	695 00 06-46	Screw
10	695 00 06-47	Knapsack Frame
11	695 00 06-48	Fuel Tank

C

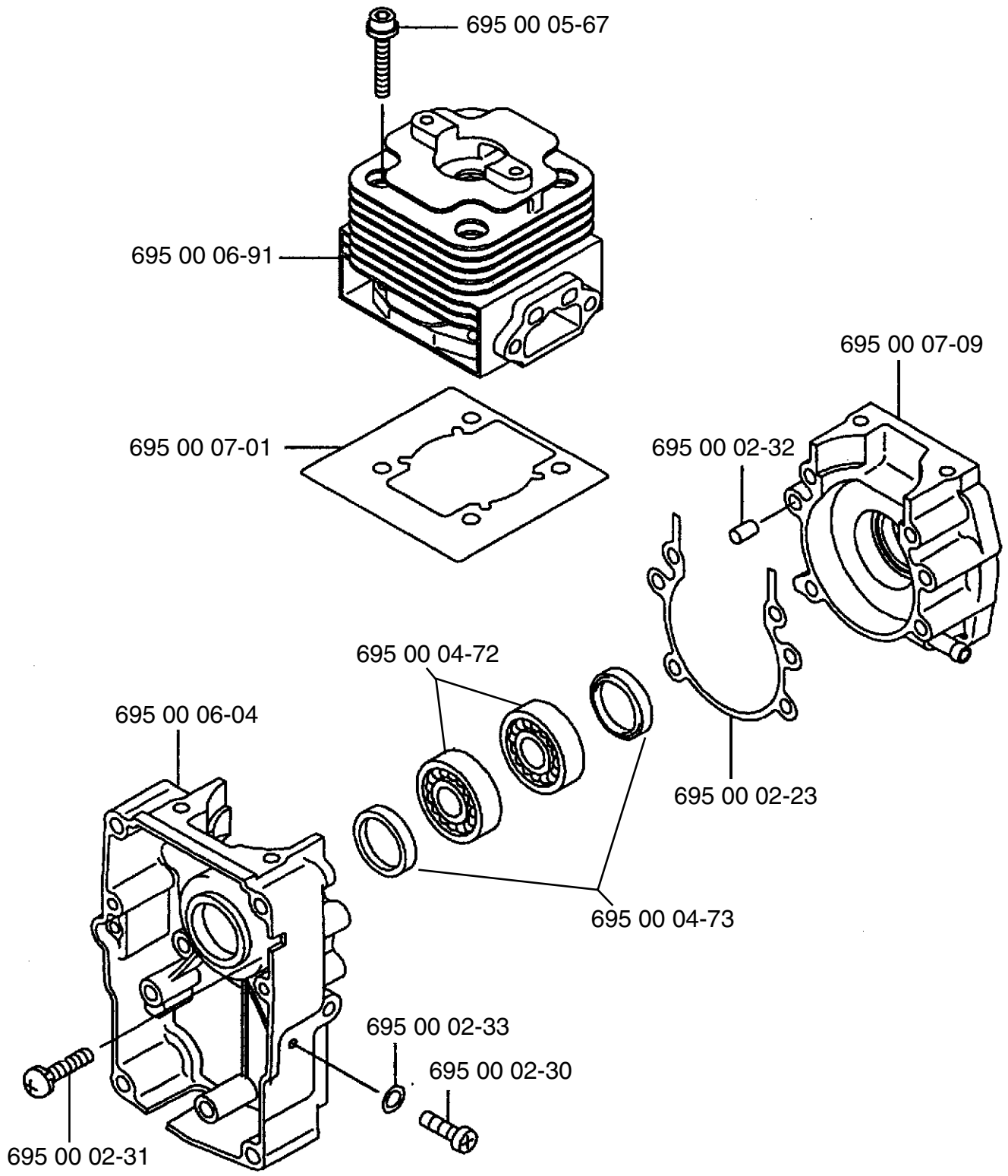


T

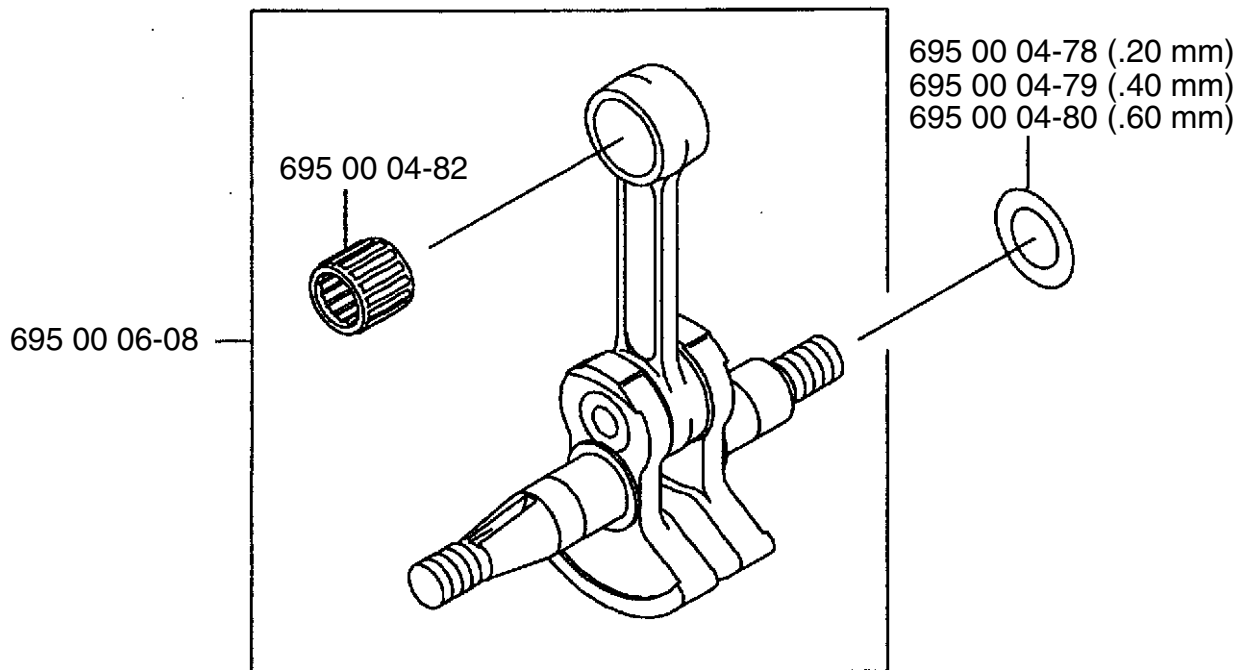
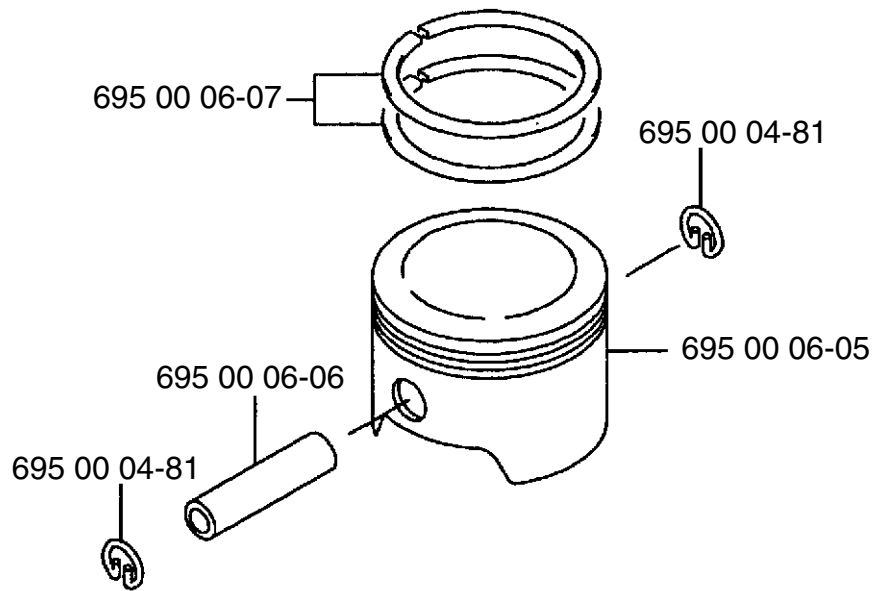
compl. 695 00 06-32



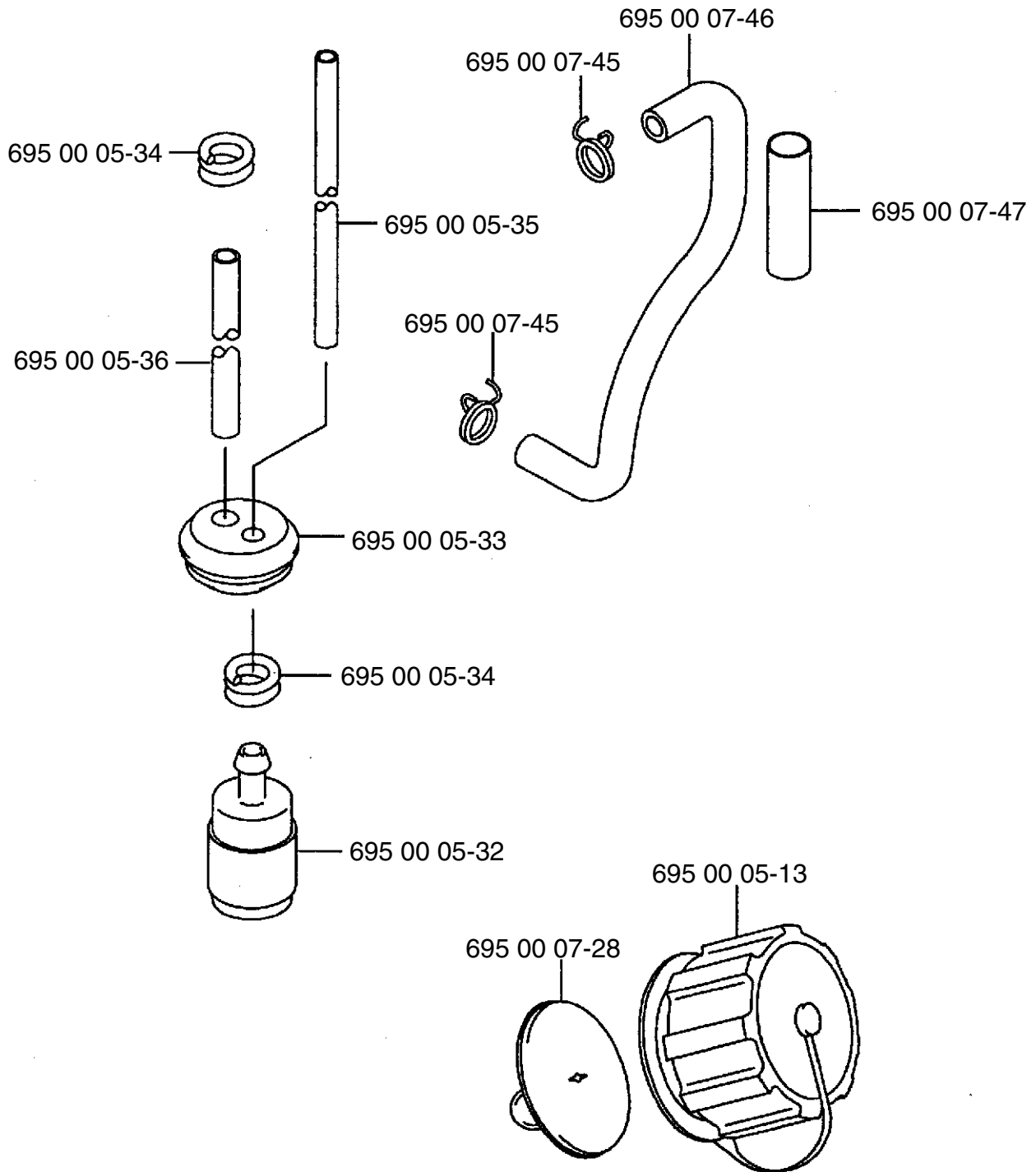
D



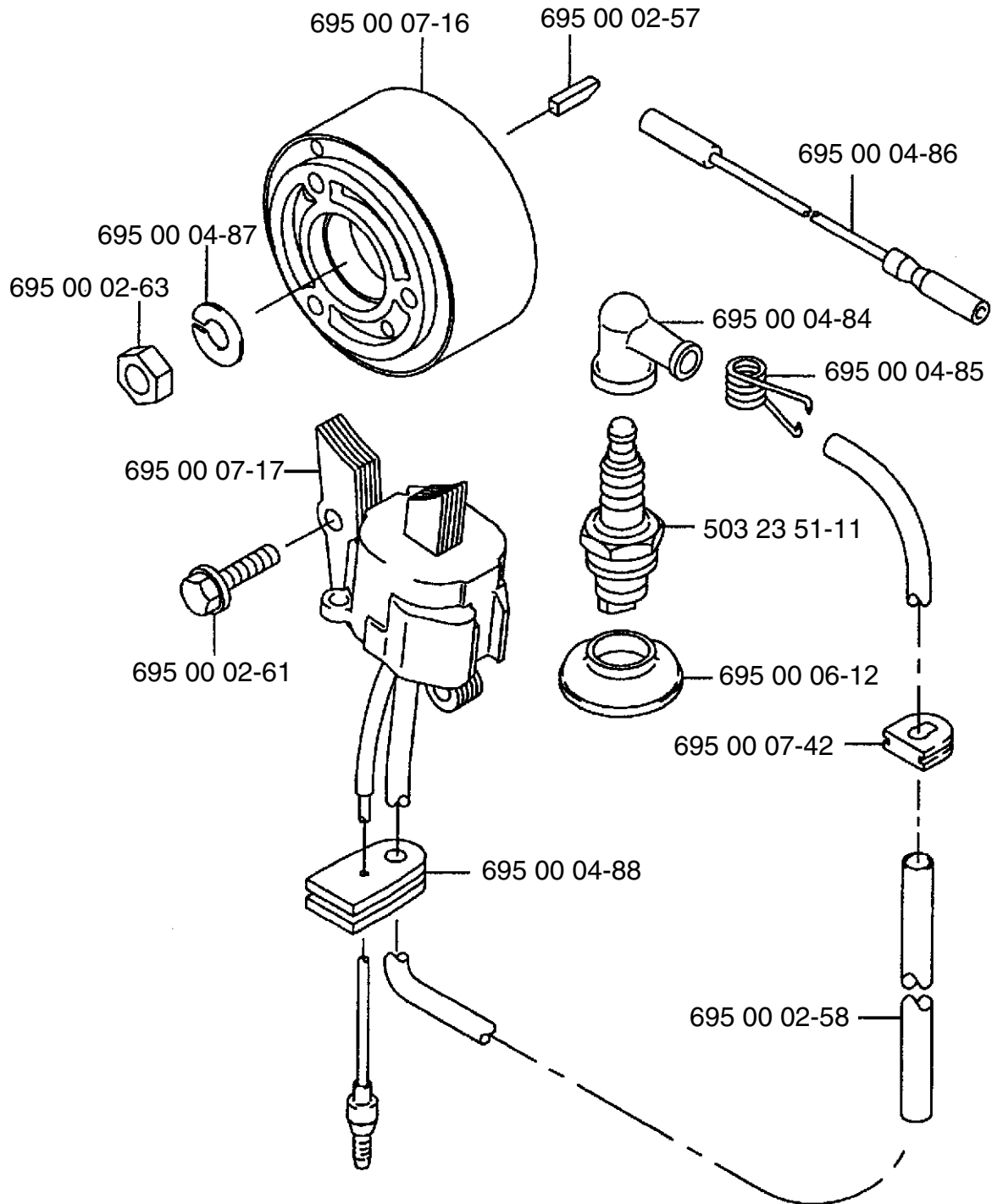
E



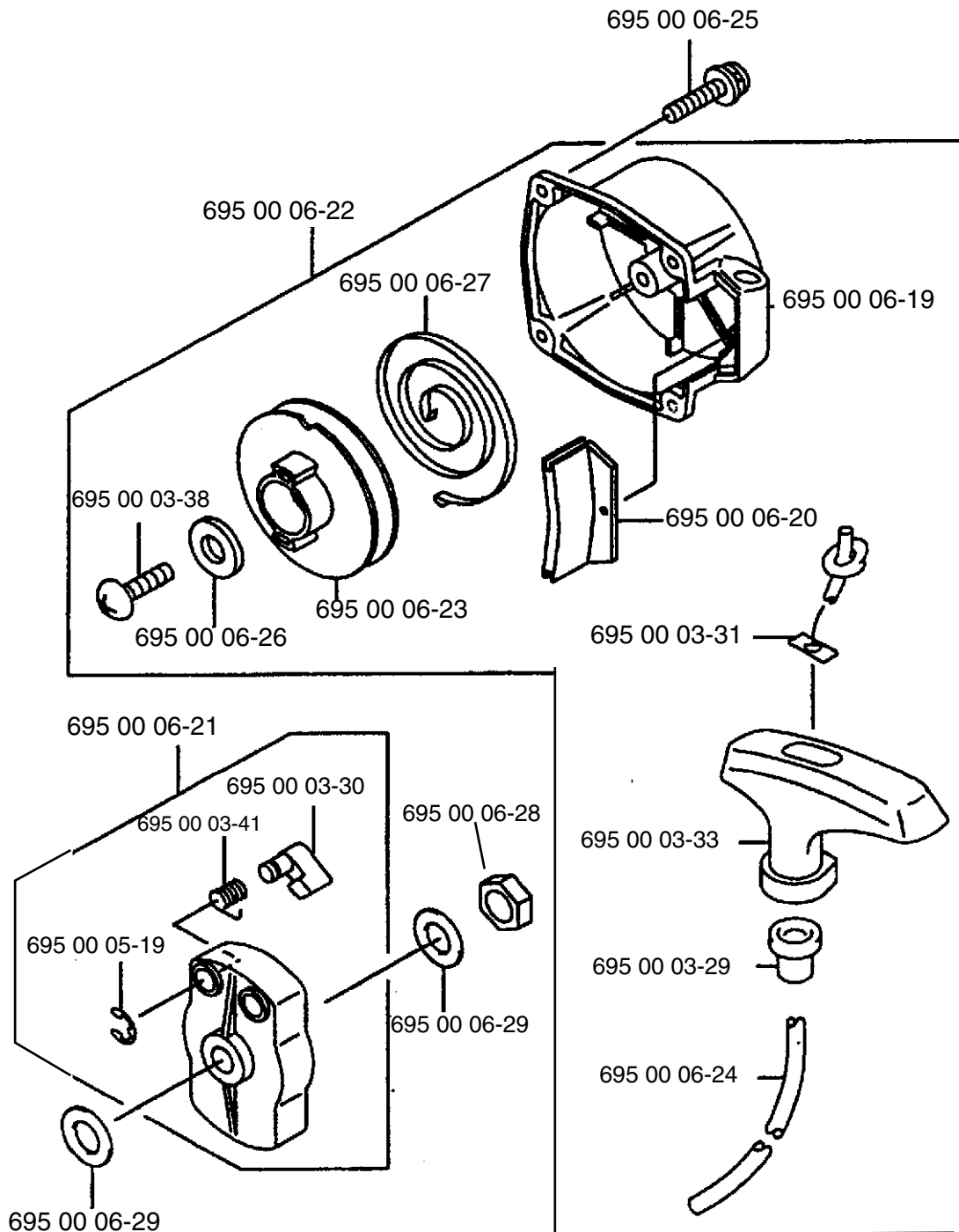
F



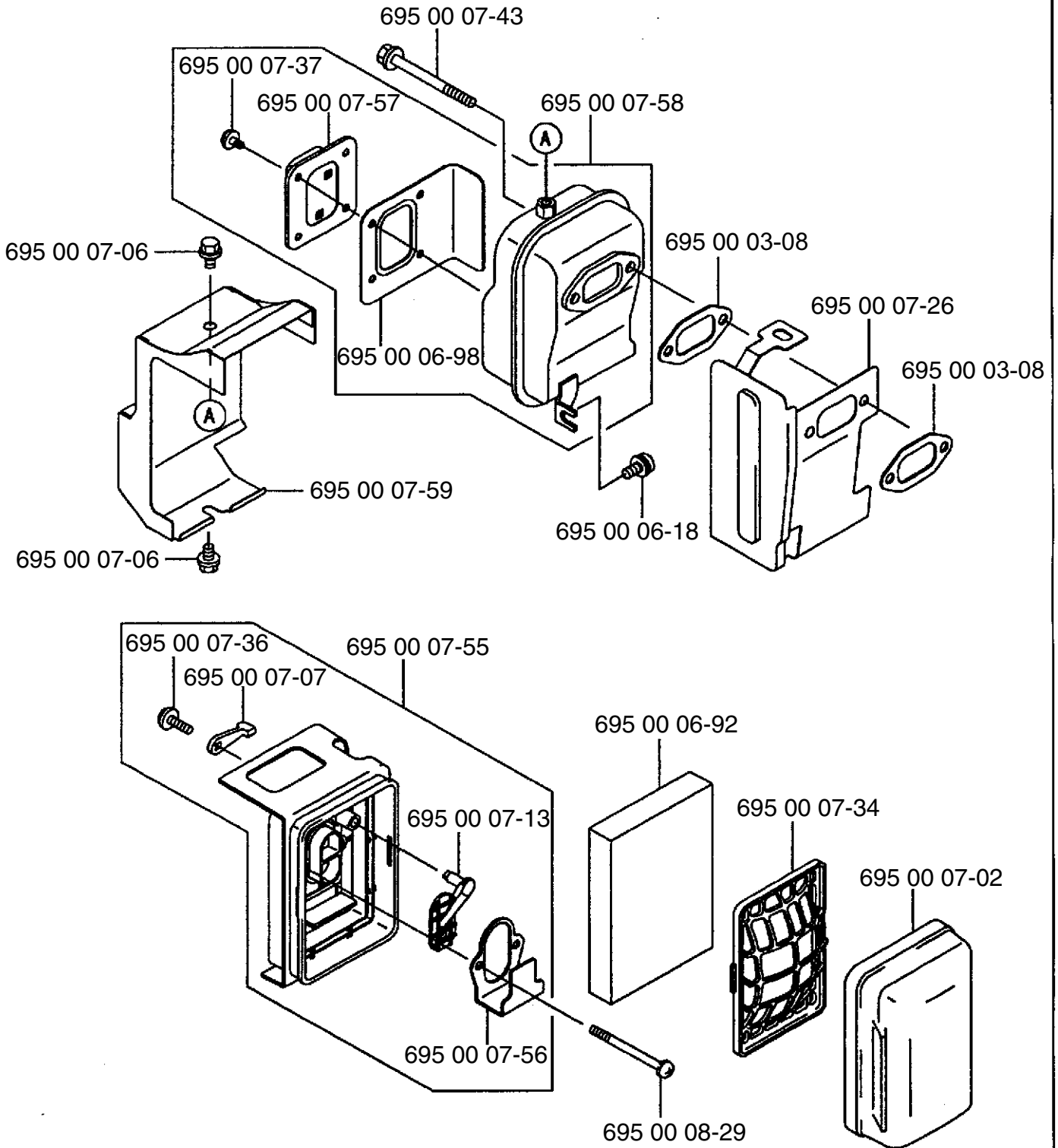
G



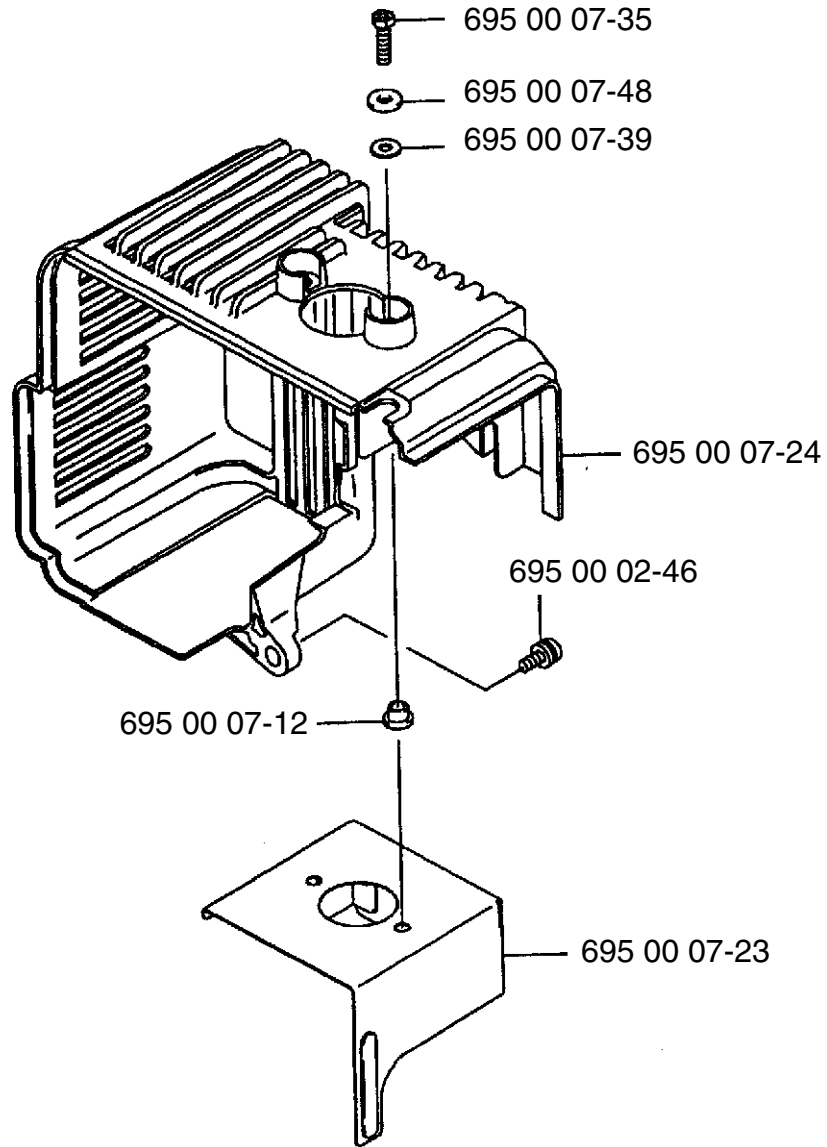
H



J



K



L

