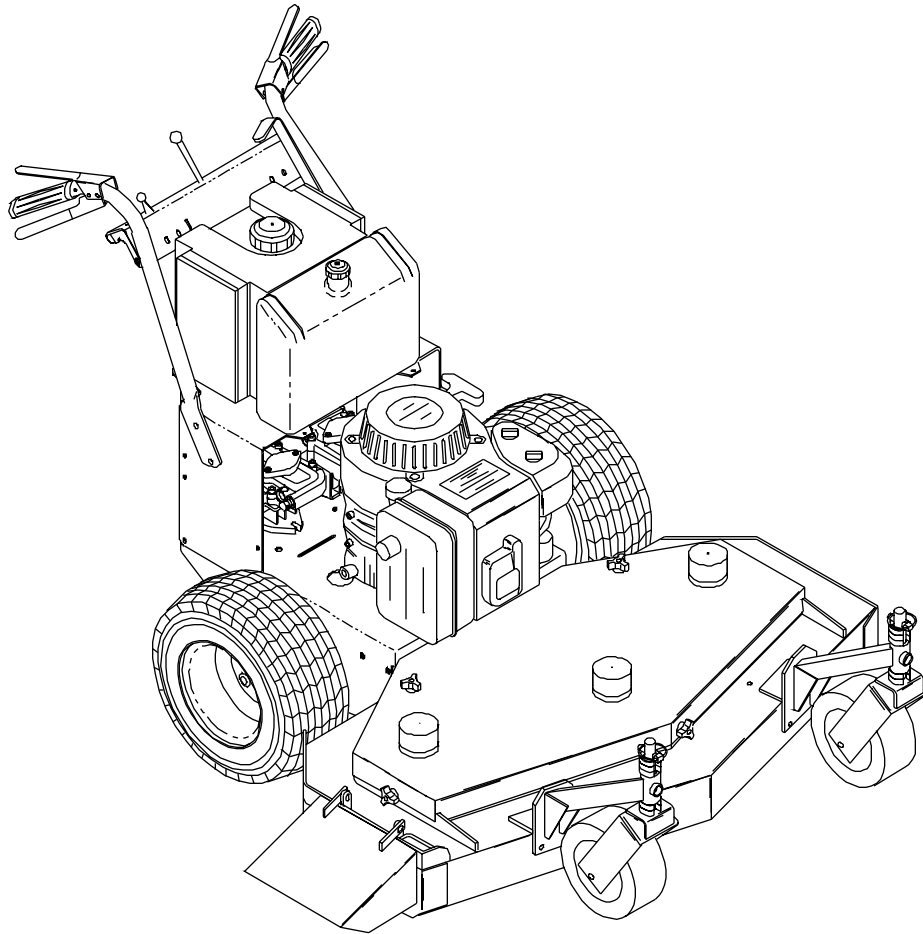


For Husqvarna Parts Call 606-678-9623 or 606-561-4983

Husqvarna



Parts manual

Models:

968999105 / WH3614A

968999111 / WH3615A

968999106 / WH4817A

MANUAL NO. 539104725 REV. 04 (2/21/01)

www.mymowerparts.com

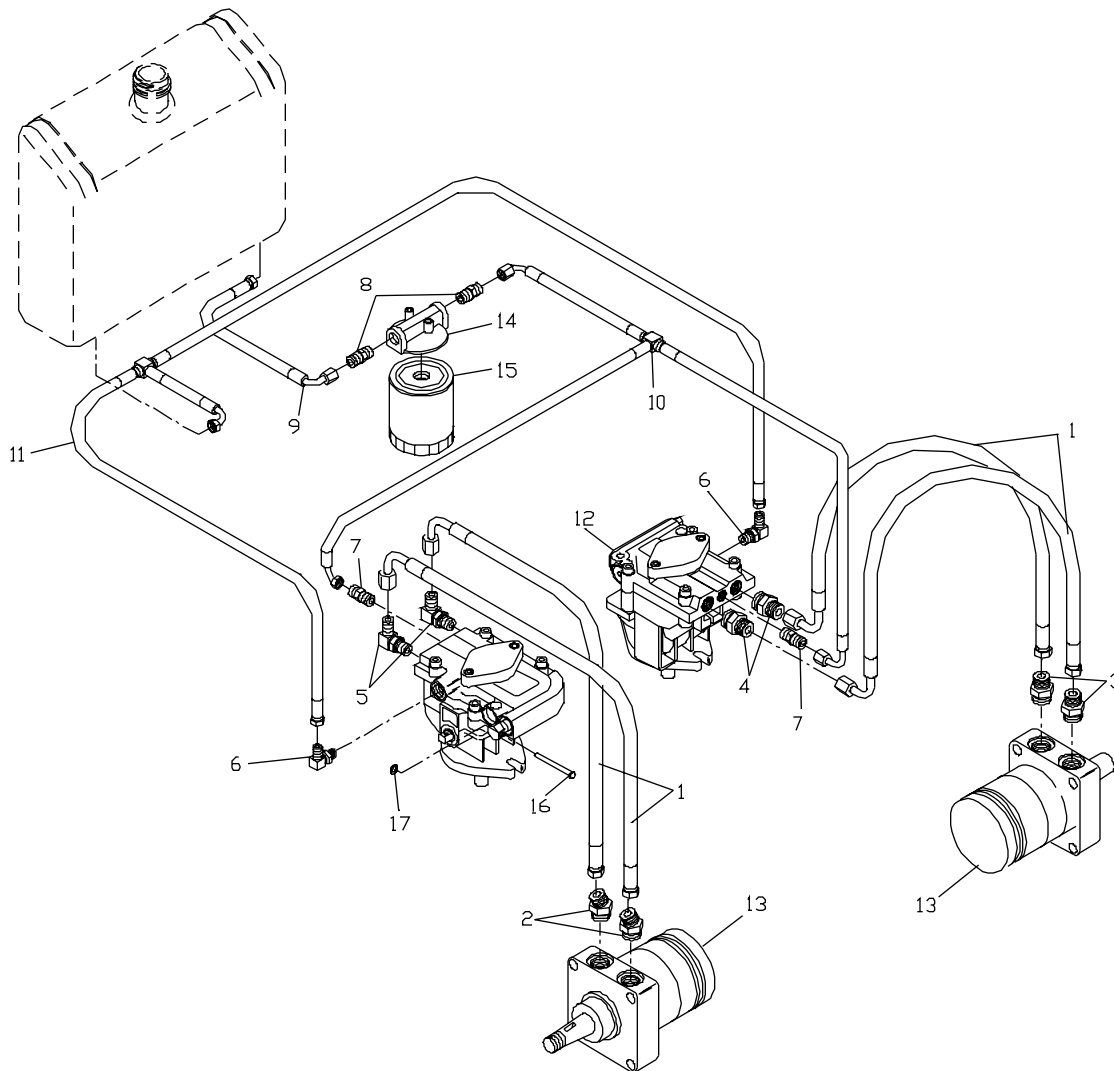
CONTENTS

SECTION	PAGE
HYDRAULIC ASSEMBLY	4 & 5
REAR DECK ASSEMBLY	6 & 7
48" FRONT DECK ASSEMBLY	8 & 9
36" FRONT DECK ASSEMBLY	10 & 11
CUTTER HOUSING ASSEMBLY	12 & 13
HANDLE ASSEMBLY	14 & 15
MOTION CONTROL ASSEMBLY	16 & 17
FRONT CASTER ASSEMBLY	18 & 19
WIRING HARNESS	20 & 21

NOTE: ALL FASTENERS ARE GRADE 5 UNLESS OTHERWISE SPECIFIED.

Husqvarna policy is to improve its products whenever it is possible and practical to do so. In an effort to keep pace with changes in technology, Husqvarna reserves the right to make changes or improvements at any time without incurring any obligation to make such changes on products previously manufactured.

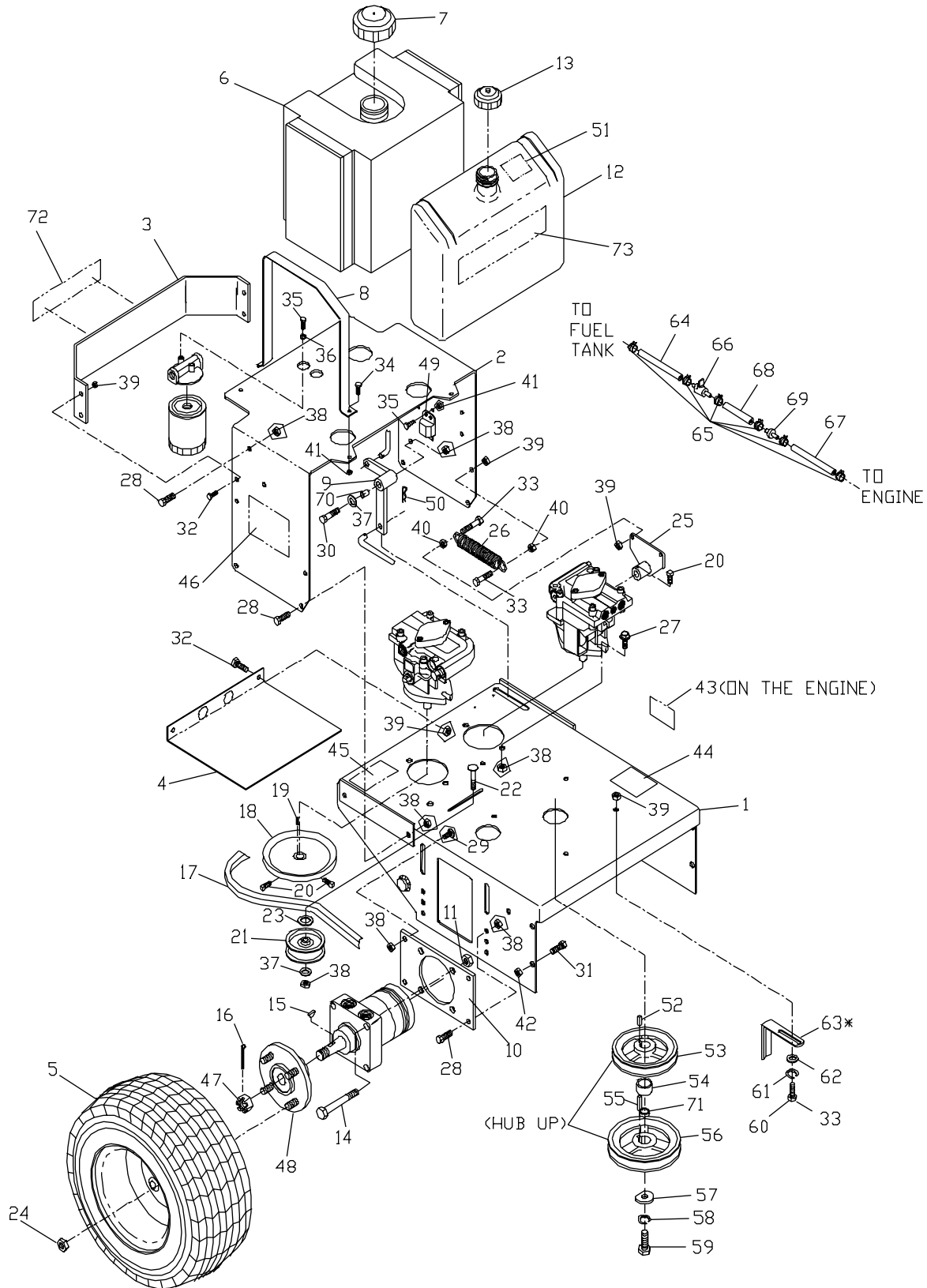
HYDRAULIC ASSEMBLY



HYDRAULIC ASSEMBLY

ITEM	PART NO.	QTY.	DESCRIPTION
1	539101245	4	1/2" HYDRAULIC HOSE
2	539101243	2	45 DEG. ELBOW
3	539101239	2	STRAIGHT CONNECTOR
4	539101237	2	STRAIGHT CONNECTOR
5	539101242	2	90 DEG. ELBOW
6	539101238	2	90 DEG. ELBOW
7	539101236	2	STRAIGHT CONNECTOR
8	539103316	2	STRAIGHT CONNECTOR
9	539101248	1	HOSE
10	539102229	1	INLET TEE HOSE
11	539102230	1	RETURN TEE HOSE
12	539101111	2	PUMP
13	539101110	2	WHEEL MOTOR
14	539101165	1	FILTER HEAD
15	539102606	1	FILTER
16	539102233	2	CLEVIS PIN
17	539102234	2	PUSH NUT

REAR DECK ASSEMBLY



REAR DECK ASSEMBLY

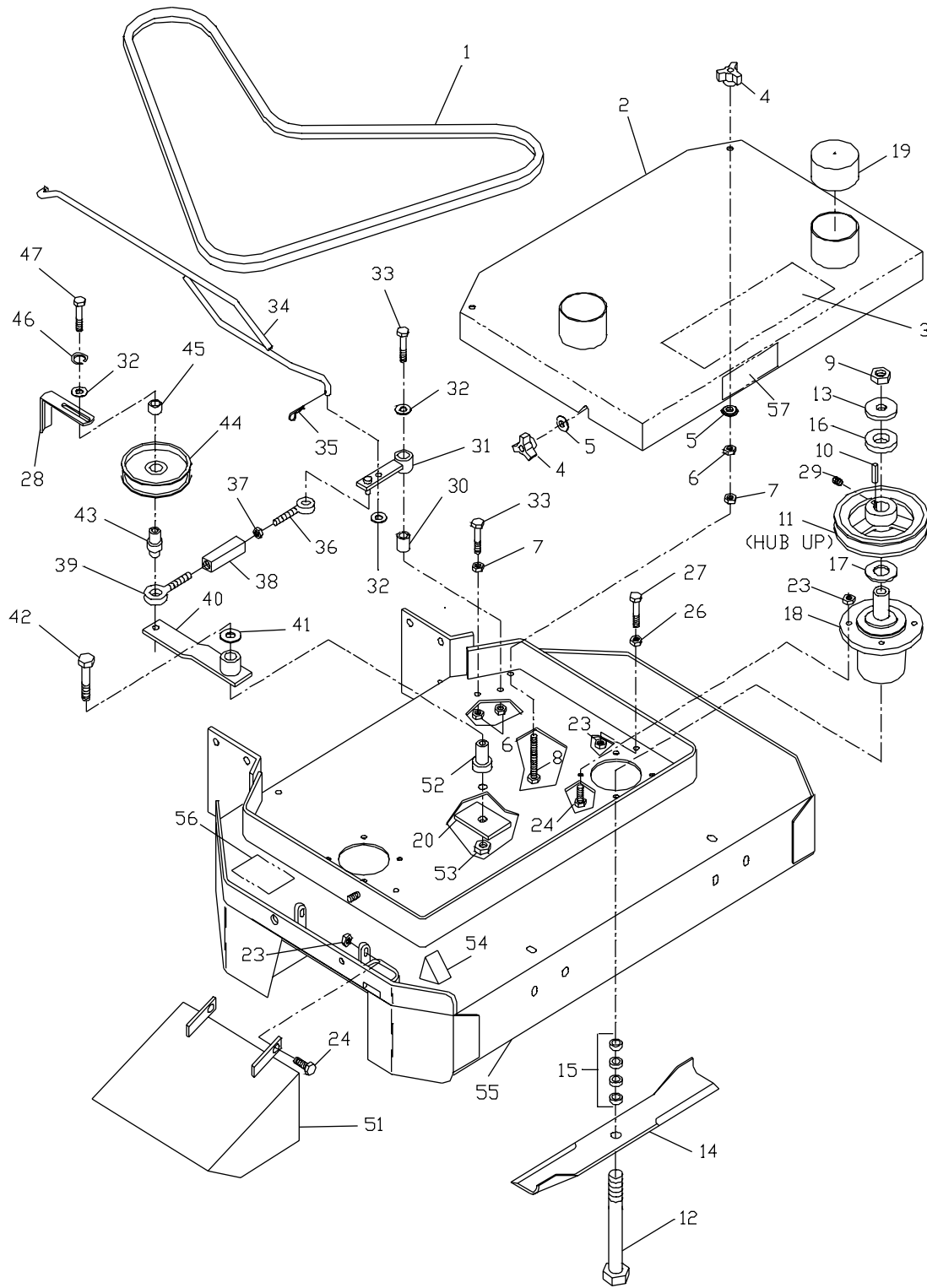
ITEM	PART NO.	QTY	DESCRIPTION	ITEM	PART NO.	QTY.	DESCRIPTION
1	539104560	1	REAR DECK W/DECALS	39	539990184	10	NUT 5/16C CENTER LOCK
2	539102208	1	TANK SUPPORT, W/LDMT.			4	(17 Kawasaki only)
3	539101324	1	BUMPER	40	539990585	4	NUT 5/16C WHIZ
4	539104547	1	LOWER BELT SHIELD	41	539990372	5	NUT 1/4C CENTER LOCK
5	539104553	2	WHEEL, COMPLETE	42	539990839	6	NUT 7/16C CENTER LOCK
	539101548	2	TIRE	43	539100128	1	DECAL, DANGER
	539104628	2	RIM	44	539101881	1	DECAL, PROP. 65
	539912234	2	VALVE STEM	45	539100361	1	DECAL, DANGER
6	539100135	1	FUEL TANK	46	539104789	2	DECAL, SMALL CROW
7	539914363	1	FUEL CAP	47	539101468	2	HEX SLOTTED NUT
8	539103007	2	TANK STRAP	48	539101109	2	HUB
9	539103461	1	BELL CRANK	49	539101781	1	MODULE
10	539102219	2	MOTOR MOUNT, 36	50	539976988	1	#2 HAIRPIN
	539102220	2	MOTOR MOUNT, 48	51	539101059	1	DECAL, HYD. FLUID
11	539101331	8	NYLOC NUT 1/2C	52	539102067	1	KEY 1/4SQ. X 3/4
12	539104798	1	OIL TANK	53	539101719	1	PULLEY
13	539101202	1	OIL CAP	54	539101720	1	SPACER
14	539101332	8	HCS 1/2C X 2 3/4	55	539101995	1	KEY 1/4SQ. X 1 1/8
15	539101465	2	KEY #808 WOODRUFF	56	539101834	1	PULLEY
16	539990297	2	COTTER PIN	57	539100132	1	CRANKSHAFT WASHER
17	539101228	1	BELT	58	539990247	1	SLW 7/16 STD
18	539102228	2	PULLEY	59	539100142	1	HCS M10-1.5X35MM(14 Kawasaki)
19	539101177	2	KEY METRIC		539100141	1	HCS 7/16F X 1.5 (17 Kawasaki)(Kohler15)
20	539102717	6	5/16C X 5/8 SQ. HEAD	60	539977692	4	HCS M8-1.25X35MM(14 Kawasaki)
21	539919078	1	IDLER PULLEY		539100567	4	HCS M8-1.25 X 30MM GR8(Kohler)
22	539100145	1	RHSNB 3/8C X 2	61	539990187	4	SLW 5/16 STD.(14 Kawasaki)
23	539990550	1	1/2 FLAT WASHER	62	539990692	2	WASHER 5/16 STD.
24	539101173	8	1/2 FLUGNUT	63	539102036	1	BELT GUIDE
25	539102973	2	PUMP ARM W/LDMT.		539103462	2	BELT GUIDE(48" MODELS)
26	539916159	2	SPRING			1	(36" MODEL)
27	539990582	4	HFCS 3/8C X 1		539103463	1	BELT GUIDE(36" MODEL)
28	539990563	12	HCS 3/8C X 1	64	539923479	1	16" GAS LINE (Kawasaki only)
29	539990645	4	RHSNB 3/8C X 1	65	539912222	6	HOSE CLAMP (Kawasaki)
30	539990588	1	HCS 3/8C X 2			4	HOSE CLAMP (Kohler)
31	539100143	6	HCS 7/16C X 1	66	539916325	1	FUEL VALVE
32	539976934	6	HCS 5/16C X 3/4	67	539932956	1	10" GAS LINE
33	539990669	4	HCS 5/16C X 1 3/4	68	539977351	1	3 1/2" GAS LINE (Kawasaki only)
		4	(17 KAW. ONLY)		539104993	1	14" GAS LINE (Kohler)
34	539990548	4	HCS 1/4C X 1	69	539914359	1	FUEL FILTER (Kawasaki only)
35	539990072	2	HCS 1/4C X 5/8	70	539101836	1	SLEEVE BUSHING
36	539990052	2	1/4 LOCK WASHER	71	539102050	1	MACHINE BUSHING
37	539990517	2	3/8 FLAT WASHER	72	539104787	1	DECAL, HUSQVARNA
38	539990546	22	NUT 3/8C CENTER LOCK	73	539104788	1	DECAL, WH 3614
					539104792	1	DECAL, WH 4817
					539104832	1	DECAL, WH 3615

* SEE OPERATORS MANUAL FOR LOCATION OF BELT GUIDES (ITEM 63).

48" FRONT DECK

ITEM	PART NO.	QTY.	DESCRIPTION	ITEM	PART NO.	QTY.	DESCRIPTION
1	539100024	1	AUX. BLADE BELT	29	539990517	4	FW 3/8 STD
2	539101958	1	BLADE BELT 48	30	539101979	1	ENGAGEMENT ARM
3	539104562	1	48" BELT SHIELD	31	539101836	1	SLEEVE BUSHING
4	539102070	5	THREE PRONG KNOB	32	539103458	1	LOWER LINK
5	539102056	5	3/8 SEALING WASHER	33	539976988	2	#2 HAIRPIN
6	539990546	6	HLN 3/8C	34	539990637	1	HCS 3/8C X 2 1/2
7	539990613	6	HFLN 3/8C	35	539990118	1	3/8 LOCK WASHER
8	539990553	4	HCS 5/16CX3(BELT GUIDE)	36	539100075	1	SNUBBER
9	539990585	7	HFLN 5/16C	37	539102656	1	SPACER
10	539102334	2	TAPBOLT-3/8C X 4 1/2	38	539976688	2	IDLER PULLEY
11	539976980	3	HN 5/8F	39	539101980	1	EYEBOLT PIVOT
12	539102332	2	HCS 5/8F X 8 1/2	40	539101981	1	LEFT HAND EYEBOLT
	539101100	1	HCS 5/8F X 9(CENTER)	41	539101983	1	TURNBUCKLE
13	539102243	3	SUPPORT WASHER	42	539101982	1	RH. EYEBOLT
14	539100340	3	BLADE 16 1/4"	43	539101332	2	HCS 1/2C X 2 3/4
15	539976436	12	BLADE SPACERS	44	539990550	3	1/2 FLAT WASHER
16	539102245	3	SPACER	45	539101978	1	ARM W/LD MT
17	539102675	1	MACH. BUSHING 10 GA.	46	539101231	2	IDLER SPINDLE
18	539102440	3	HOUSING ASM.	47	539101331	2	1/2C NYLOC NUT
19	539102236	2	PAD	48	539102237	1	AUX. IDLER ARM
20	539102320	3	TUBE CAP	49	539102337	1	TENSION ROD
21	539104546	1	DEFLECTOR CHUTE	50	539976695	1	IDLER FLANGE BUSHING
22	539990196	1	5/16C HEX NUT	51	539990730	1	HCS 3/8C X 1 3/4
23	539976398	2	PULLEY W/ SETSCREWS	55	539976956	6	5/16 NYLOC SETSCREW
24	539101995	3	1/4SQ. KEY X 1 1/8	56	539104790	1	DECAL, HUSQVARNA
25	539101819	1	DOUBLE PULLEY W/ SETS.	57	539105071	1	DECAL, NASCAR
26	539990209	14	HCS 5/16C X 1	58	539104564	1	48" DECK W/ DECALS
27	539990184	21	HLN 5/16C	59	539100344	1	DECAL, DANGER
28	539990629	2	HCS 3/8C X 2 1/4	60	539913010	1	DECAL, CPSC
				63	539102335	3	HCS 5/16C X 4

36" FRONT DECK ASSEMBLY



36" FRONT DECK ASSEMBLY

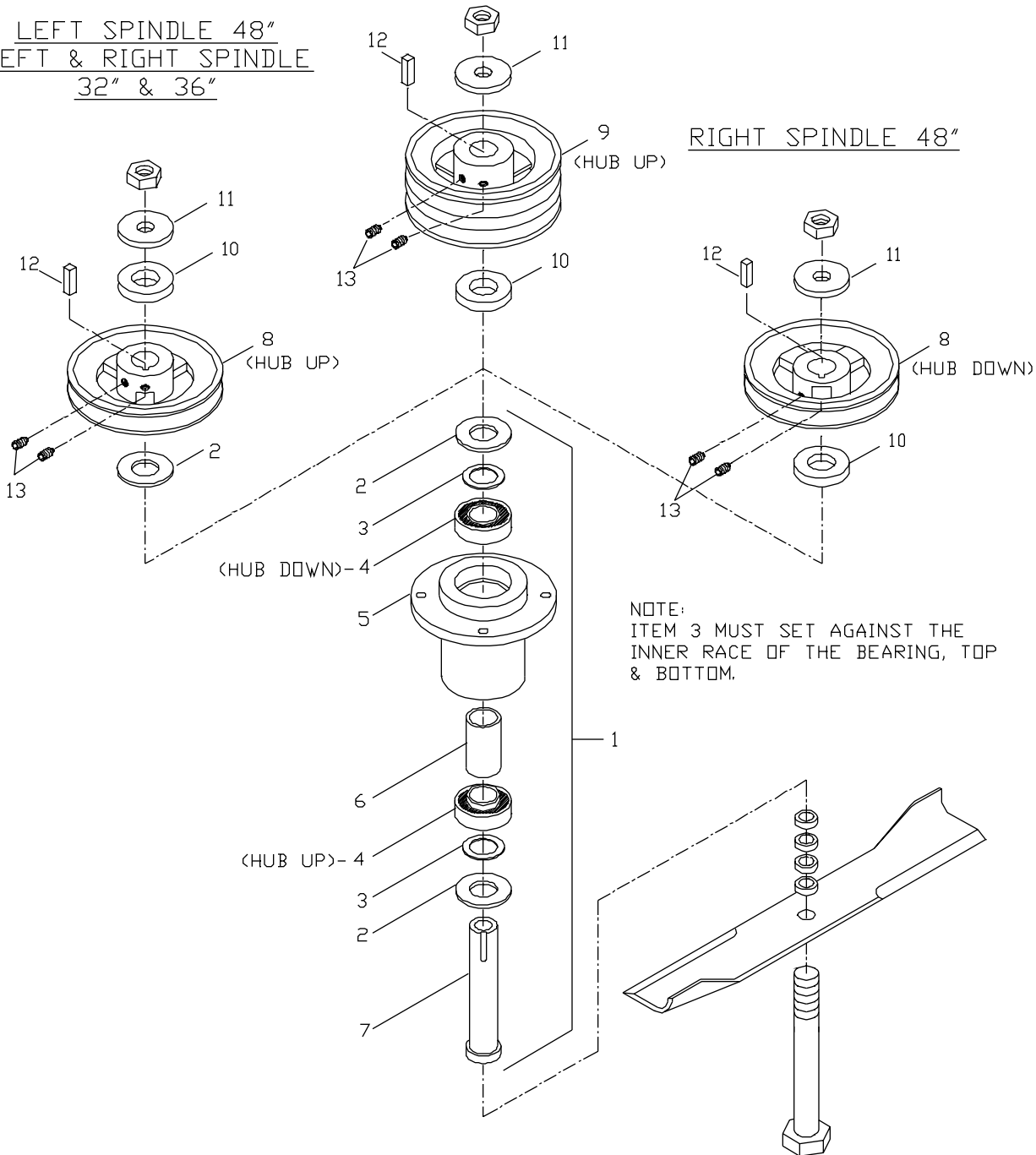
ITEM	PART NO.	QTY.	DESCRIPTION	ITEM	PART NO.	QTY.	DESCRIPTION
1	539101959	1	36" DECKBELT	30	539101836	1	SLEEVEBUSHING
2	539104561	1	36" BELT SHIELD	31	539101979	1	ENGAGEMENTARM
3	539104790	1	DECAL, HUSQVARNA	32	539990517	3	FW 3/8 STD
4	539102070	4	THREE PRONGKNOB	33	539990629	2	HCS 3/8C X 2 1/4
5	539102056	4	3/8 SEALING WASHER	34	539103456	1	BLADE ROD
6	539990546	4	HLN 3/8C	35	539976988	1	#2HAIRPIN
7	539990613	3	3/8C WHIZ NUT	36	539101982	1	RT. HANDEYEBOLT
8	539102334	2	TAPBOLT 3/8C X 4 1/2	37	539990196	1	5/16C HEXNUT
9	539976980	2	HN 5/8F	38	539101983	1	TURNBUCKLE
10	539101995	2	KEY 1/4SQ. X 1 1/8	39	539101981	1	LT. HANDEYEBOLT
11	539976398	2	PULLEYW/SETSCREWS	40	539101978	1	ARMWLDMT
12	539102332	2	HCS 5/8F X 8 1/2	41	539990550	1	FW 1/2 STD
13	539102243	2	SUPPORTWASHER	42	539101332	1	HCS 1/2C X 2 3/4
14	539100341	2	BLADE 18"(36)	43	539101980	1	EYEBOLTPIVOT
15	539976436	8	BLADE SPACERS	44	539976688	1	IDLER PULLEY
16	539102245	2	SPACER	45	539102656	1	SPACER
17	539102675	2	MACH. BUSHING 10GA.	46	539990118	1	3/8 LOCK WASHER
18	539102440	2	HOUSING ASM.	47	539990637	1	HCS 3/8C X 2 1/2
19	539102320	2	TUBECAP	51	539104546	1	DEFLECTORCHUTE
20	539102236	1	PAD	52	539101231	1	IDLER SPINDLE
23	539990184	16	HLN 5/16C	53	539101331	1	HLN 1/2C NYLOC
24	539990209	10	HCS 5/16C X 1	54	539913010	1	DECAL, CPSC
26	539990585	6	HFLN 5/16C	55	539104563	1	36" DECK W/DECALS
27	539990553	6	HCS 5/16C X 3	56	539100344	1	DECAL, DANGER
28	539100075	1	SNUBBER	57	539105071	1	DECAL, NASCAR
29	539976956	4	5/16 NYLOC SETSCREW				

CUTTER HOUSING ASSEMBLY

CENTER SPINDLE 48"

LEFT SPINDLE 48"
LEFT & RIGHT SPINDLE
32" & 36"

RIGHT SPINDLE 48"



CUTTER HOUSING ASSEMBLY

ITEM	PART NO.	QTY.	DESCRIPTION
1	539102440	1	CUTTER HOUSING ASM. (INCLUDES ITEMS 2 THRU 7)
2	539102675	3	MACH. BUSING 10GA.
3	539102244	2	MACH. BUSING 18GA.
4	539102677	2	BEARING
5	539102673	1	HOUSING
6	539102676	1	SPACER
7	539102674	1	SPINDLE
8	539976398	1	PULLEY
9	539101819	1	DOUBLE PULLEY
10	539102245	1	3/8" SPACER
11	539102243	1	1/4" SPACER
12	539101995	1	KEY 1/4 SQ. X 1 1/8"
13	539976956	2	5/16 NYLOC SETSCREW

SEE PAGES 12 THRU 15 FOR CORRECT BLADE BOLT, NUT,
BLADE SPACERS, AND BLADE FOR YOUR MODEL.

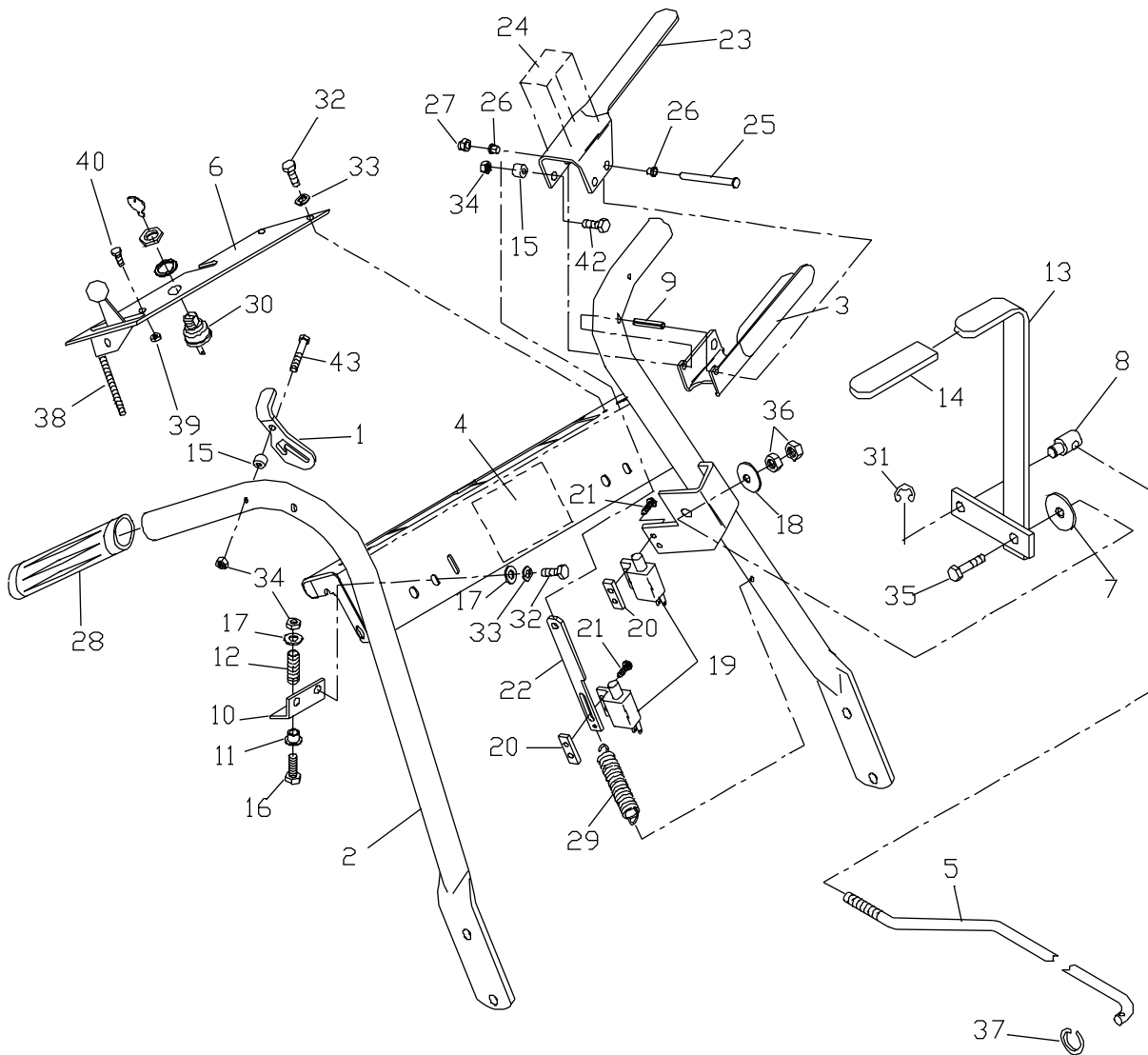
NOTE:

THIS HOUSING ASSEMBLY (ITEM 1) IS USED IN CONJUNCTION WITH DIFFERENT PULLEYS AND SPACERS. IT IS CRITICAL THAT YOU USE THE RIGHT SPACERS IN THE RIGHT LOCATION FOR THE DIFFERENT SPINDLE COMBINATIONS. (ALSO REFER TO OPERATOR'S MANUAL)

NOTE:

THIS HOUSING ASSEMBLY (ITEM 1) WILL NOT WORK IF THESE ITEMS ARE NOT IN THEIR PROPER LOCATION OR ORIENTATION.

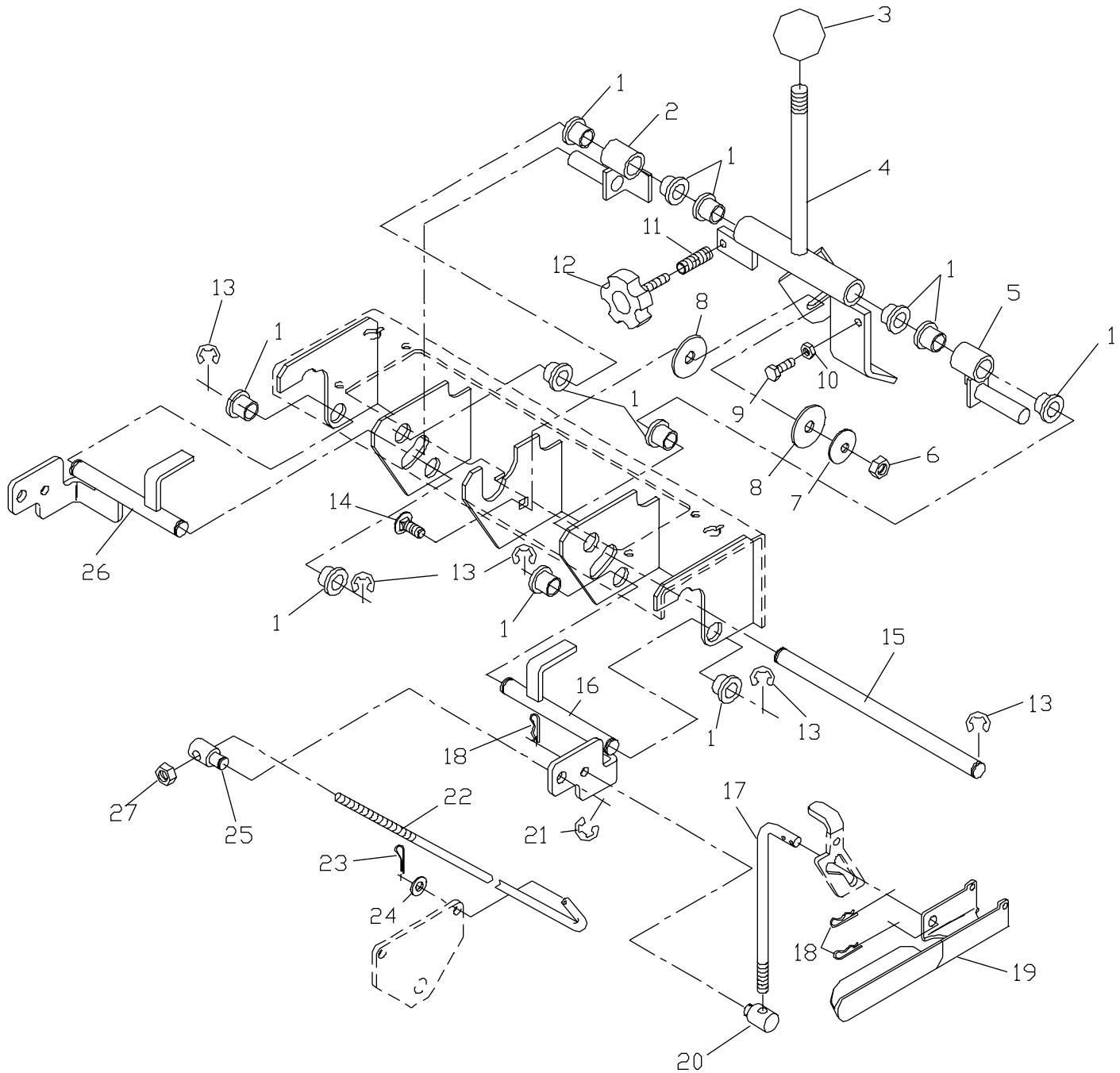
HANDLE ASSEMBLY



HANDLE ASSEMBLY

ITEM	PART NO.	QTY.	DESCRIPTION
1	539102984	1	THUMBLATCH RT.
	539102983	1	THUMBLATCH LT.(NOT SHOWN)
2	539103005	1	HANDLE W/DECAL
3	539102990	1	CONTROL LEVER LT.
	539102991	1	CONTROL LEVER RT.
4	539102987	1	DECAL, WARNING
5	539102986	1	BLADE LINK
6	539102999	1	ACCESS PLATE
7	539102998	1	FRICTION WASHER
8	539102992	1	SWIVEL
9	539102997	2	PIN, ROLL
10	539102979	2	DETENT WLDMT.
11	539100240	2	FLANGE BUSHING
12	539101224	2	SPRING
13	539102976	1	BLADE LEVER WLDMT.
14	539976526	1	GRIP
15	539102996	4	SPACER
16	539991003	2	HCS 1/4C X 1.75
17	539990055	6	1/4 SAE WASHER
18	539912063	1	CONE WASHER
19	539919098	4	SWITCH
20	539102678	4	TAPPED PLATE
21	539976952	8	SCREW #10-24 X 5/8
22	539101801	2	O.P. LINKAGE
23	539977857	2	LEVER O.P. W/GRIP
24	539100285	2	DECAL, THUMBLATCH
25	539977884	2	PIN, CLEVIS
26	539977886	4	BUSHING
27	539914734	2	PUSHNUT
28	539976488	2	GRIP HANDLE
29	539977250	2	SPRING
30	539911853	1	KEY SWITCH, COMPLETE
31	539990870	1	3/8 E-RING
32	539990073	8	HCS 1/4C X 3/4
33	539990052	8	1/4 SLOTTED LOCK WASHER
34	539990372	6	NUT 1/4C CENTER LOCK
35	539990655	1	HCS 3/8C X 1.5
36	539990546	2	NUT 3/8C CENTER LOCK
37	539916459	1	RING, RETAINER
38	539101451	1	THROTTLE CABLE(14 KAW.)
	539101220	1	THROTTLE CABLE(17 KAW.)
39	539976977	2	#10-24 NYLOC NUT
40	539990411	2	HCS #10-24 X 1/2
41	539102989	1	DECAL, OPERATION (NOT SHOWN)
42	539990548	2	HCS 1/4C X 1
43	539101313	2	HCS 1/4C X 2

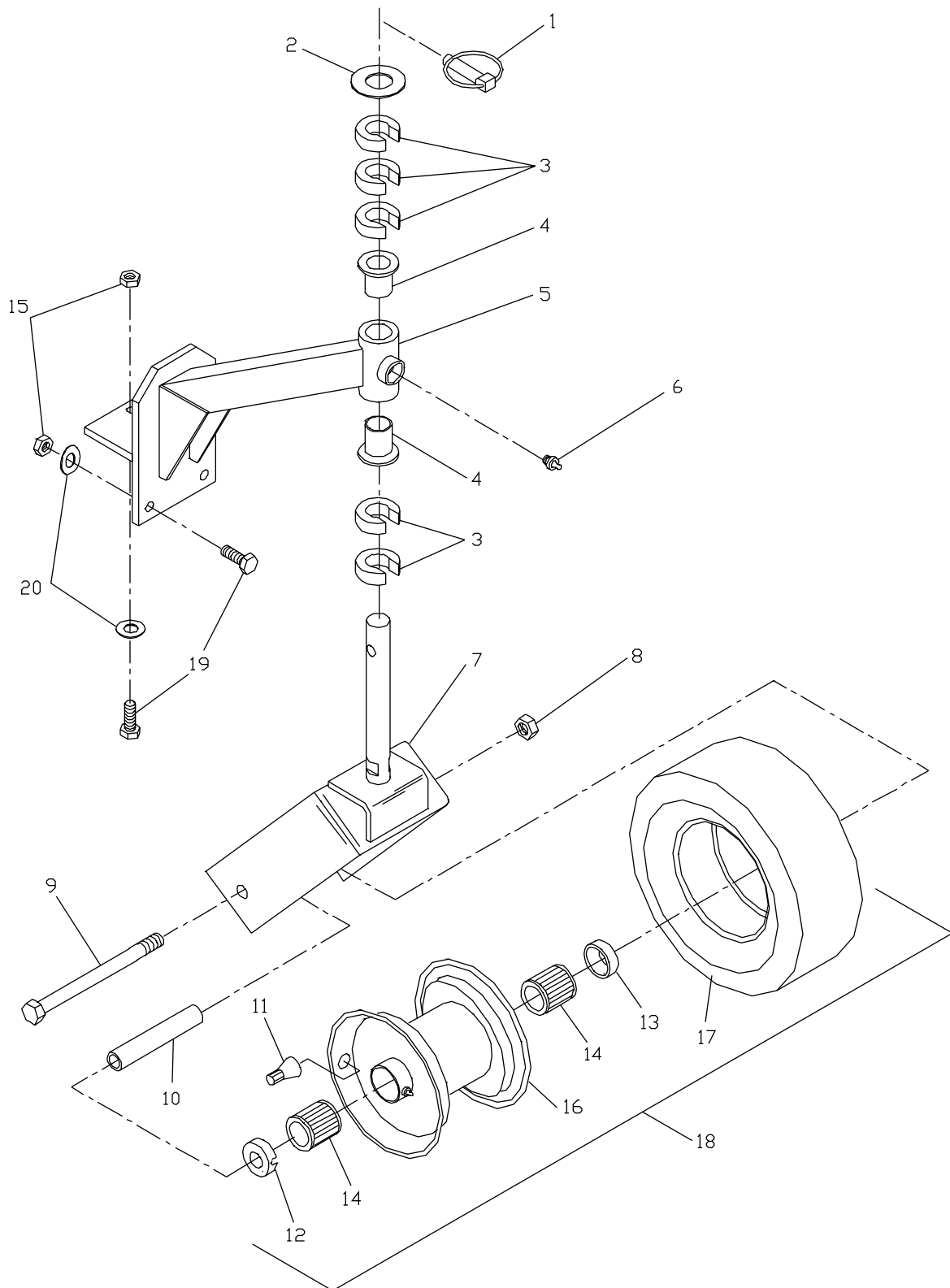
MOTION CONTROL ASSEMBLY



MOTION CONTROL ASSEMBLY

ITEM	PART NO.	QTY.	DESCRIPTION
1	539100032	12	FLANGED NYLON BUSHING
2	539102963	1	TRACK WELDMENT, LT.
3	539100147	1	KNOB
4	539102958	1	TRAVEL LEVER
5	539102964	1	TRACK WELDMENT, RT.
6	539990184	3	NUT 5/16C CENTER LOCK
7	539912063	1	CONE WASHER
8	539102998	2	FRICITION WASHER
9	539990209	1	HCS 5/16C X 1
10	539990585	1	5/16 WHIZ NUT
11	539101224	1	SPRING
12	539103003	1	ADJUSTMENT KNOB
13	539101949	6	1/2" E-RING
14	539990208	1	RHSNB 5/16C X 1
15	539102985	1	TRAVEL BAR
16	539102970	1	CONTROL WELDMENT, RT.
17	539103000	2	CONTROL LINK
18	539976988	6	HAIR PIN
19	539102991	1	CONTROL LEVER RT.
20	539976434	2	SWIVEL
21	539990870	2	3/8" E-RING
22	539101650	2	PUMPLINK
23	539990037	2	3/32 X 3/4 COTTER PIN
24	539990692	2	5/16 WASHER
25	539101940	2	SWIVEL
26	539102969	1	CONTROL WELDMENT LT.
27	539990717	2	NUT 5/16C NYLOC

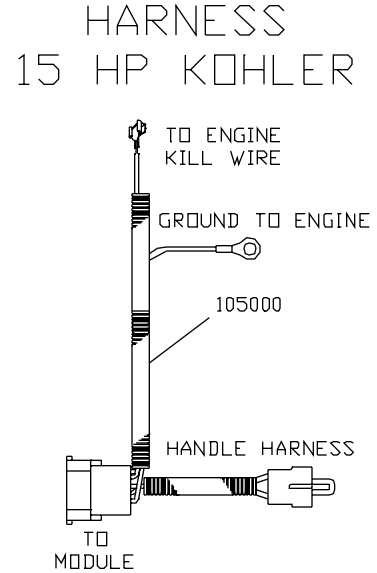
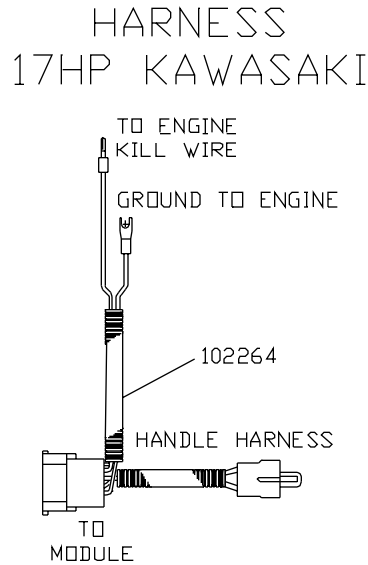
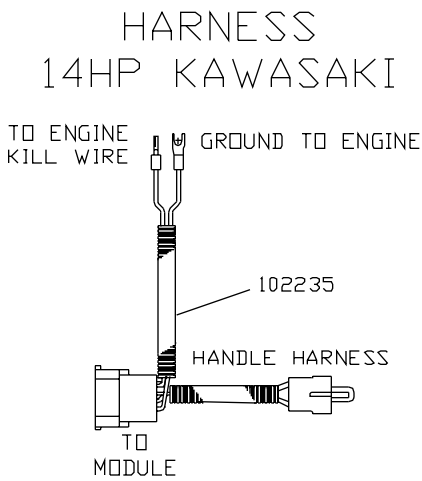
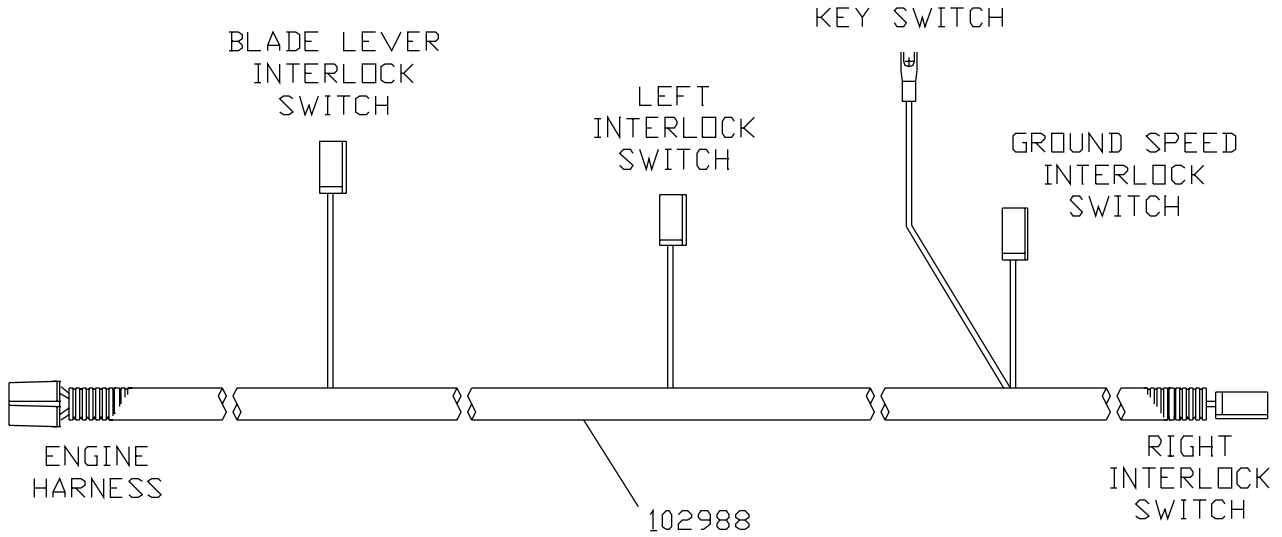
FRONT CASTER



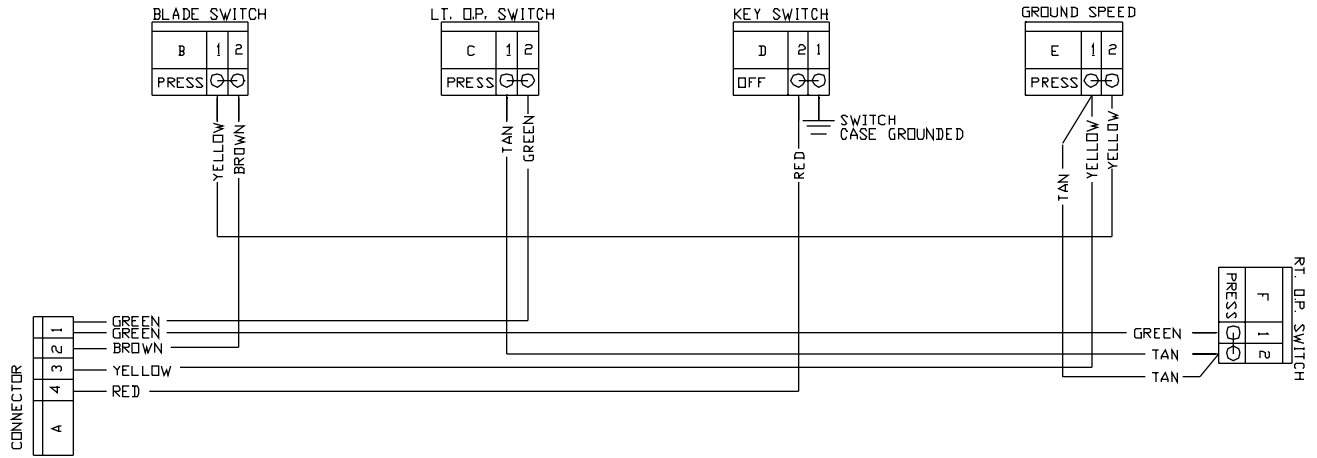
FRONT CASTER

ITEM	PART NO.	QTY.	DESCRIPTION
1	539101874	1	7/16 LYNCH PIN
2	539916561	1	MACH. BUSHING
3	539101873	5	"C"-SPACER
4	539101232	2	FLANGE BUSHING
5	539104555	1	CASTER ARM W/BUSHING
6	539976997	1	ZERK 1/8 NPT
7	539104554	1	CASTER YOKE
8	539101331	1	1/2C NYLOC NUT
9	539101907	1	HCS 1/2C X 5 1/2
10	539101872	1	SPACER
11	539912234	1	AIR VALVE
12	539977356	1	NOTCHED END CAP
13	539923557	1	END CAP
14	539977353	2	ROLLER BEARING
15	539990546	3	HLN 3/8C
16	539104618	1	RIM
17	539101905	1	9" TIRE
18	539104556	1	TIRE & WHEEL ASS.
19	539990563	3	HCS 3/8C X 1
20	539990517	3	FW 3/8 STD
21	539104559	1	FRONT WHEEL CASTER ASM. KIT (INCLUDES ITEMS 1 THRU 20)

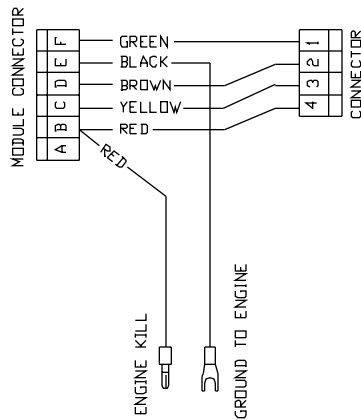
HANDLE WIRING HARNESS



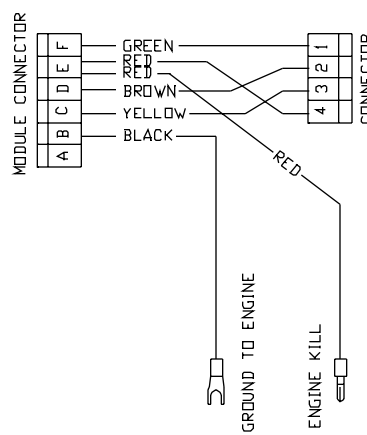
HANDLE WIRING DIAGRAM



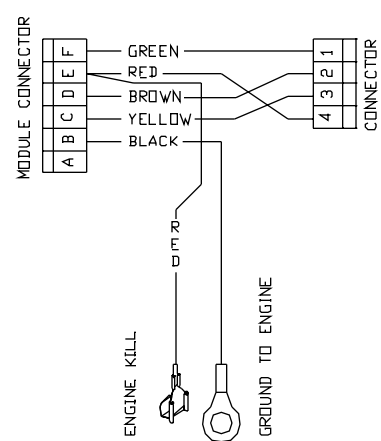
14HP KAWASAKI HARNESS DIAGRAM



17HP KAWASAKI HARNESS DIAGRAM



15HP KOHLER HARNESS DIAGRAM



For Husqvarna Parts Call 606-678-9623 or 606-561-4983

