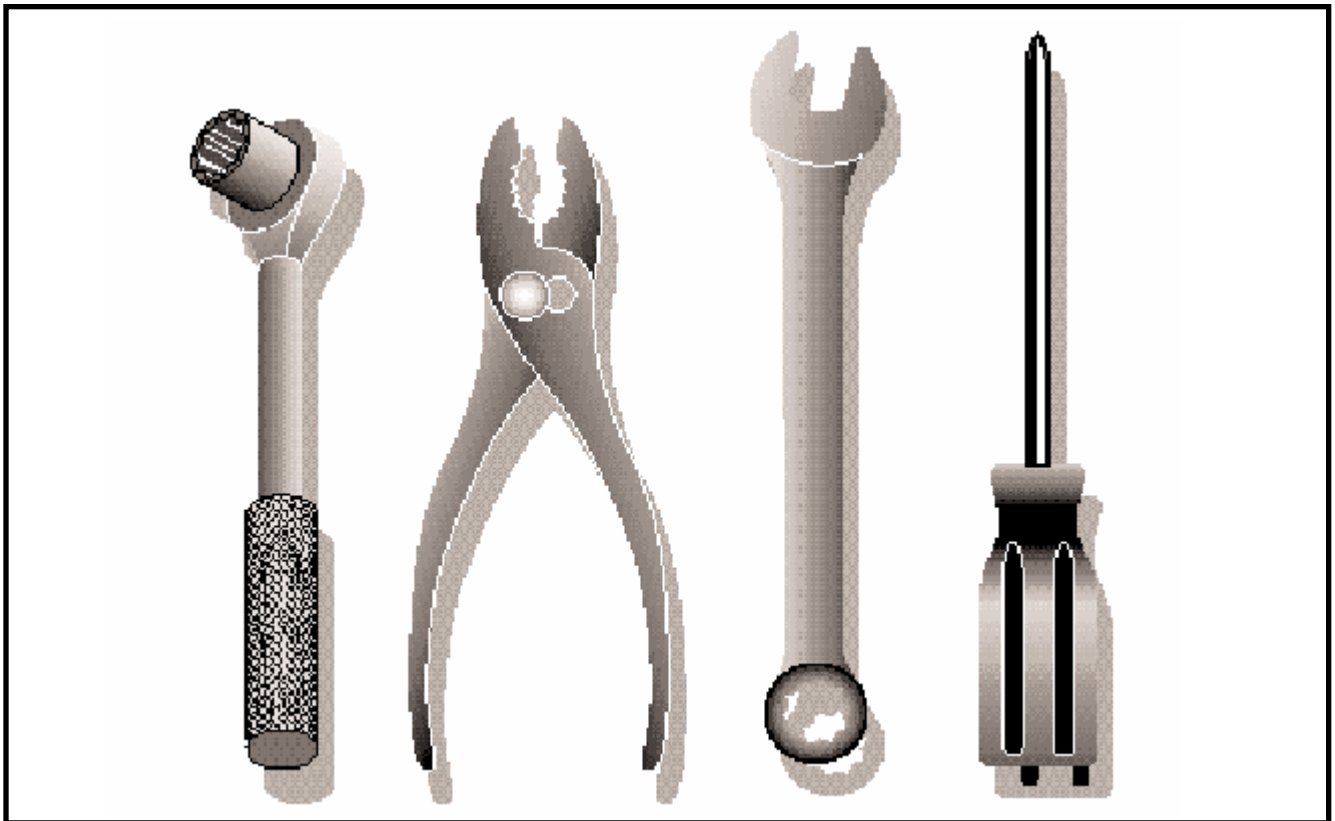




Illustrated Parts List	2001-01
	I0102010

GTH 2550 XP A

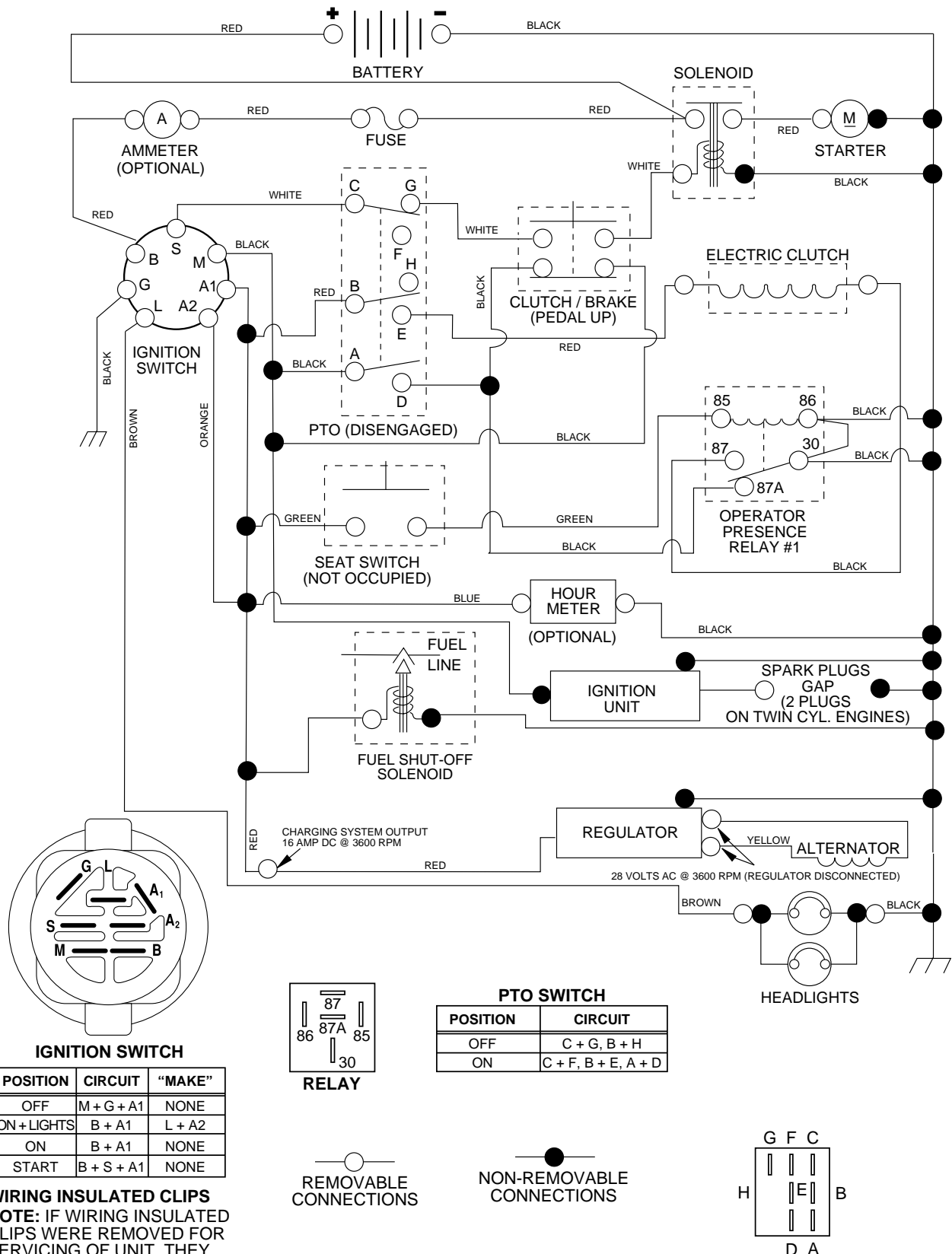
954567116



Repair Parts Manual

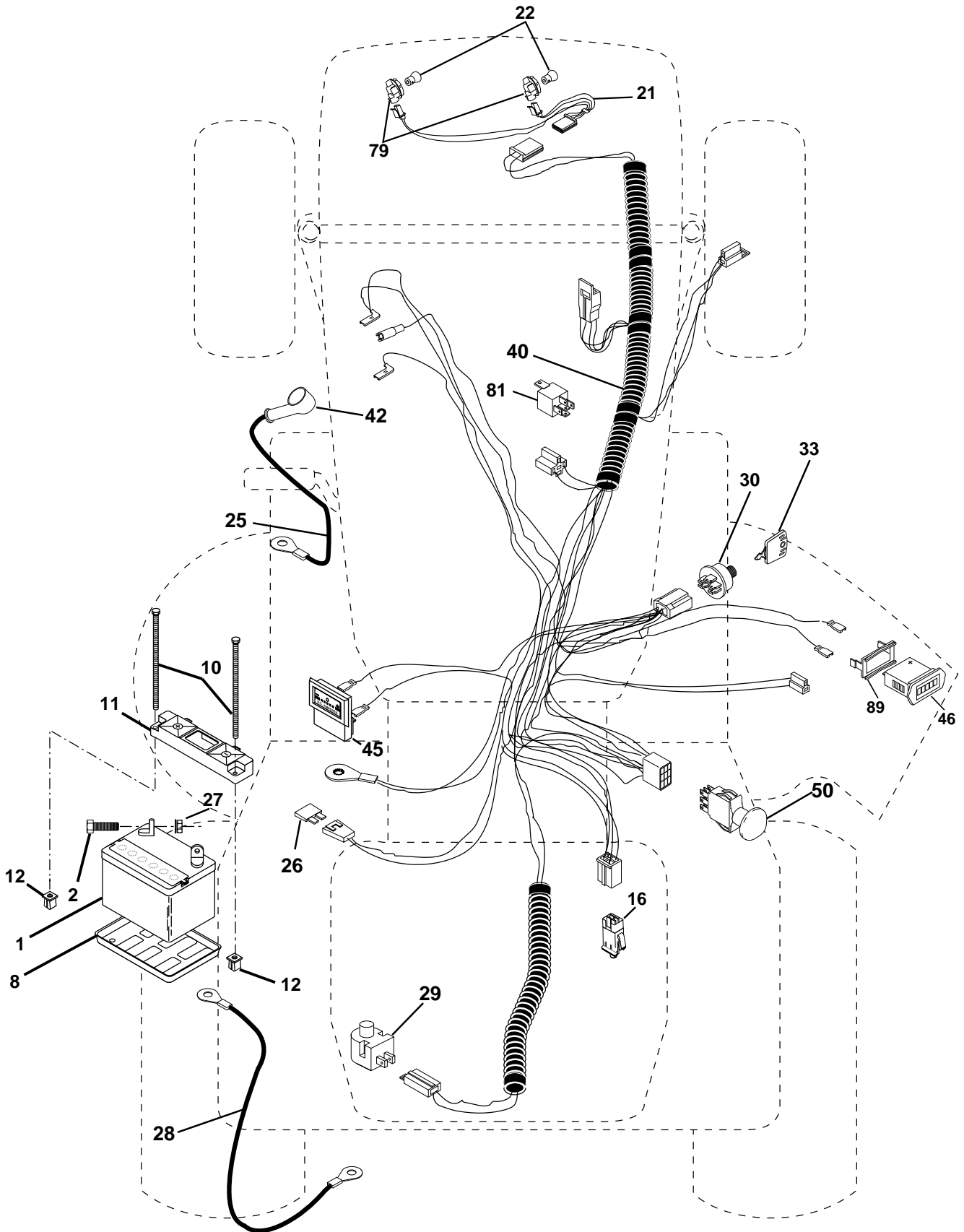
Ride Mower

SCHEMATIC



TRACTOR - - MODEL NO. GTH2550XPA

ELECTRICAL



REPAIR PARTS

TRACTOR - - MODEL NO. GTH2550XPA

ELECTRICAL

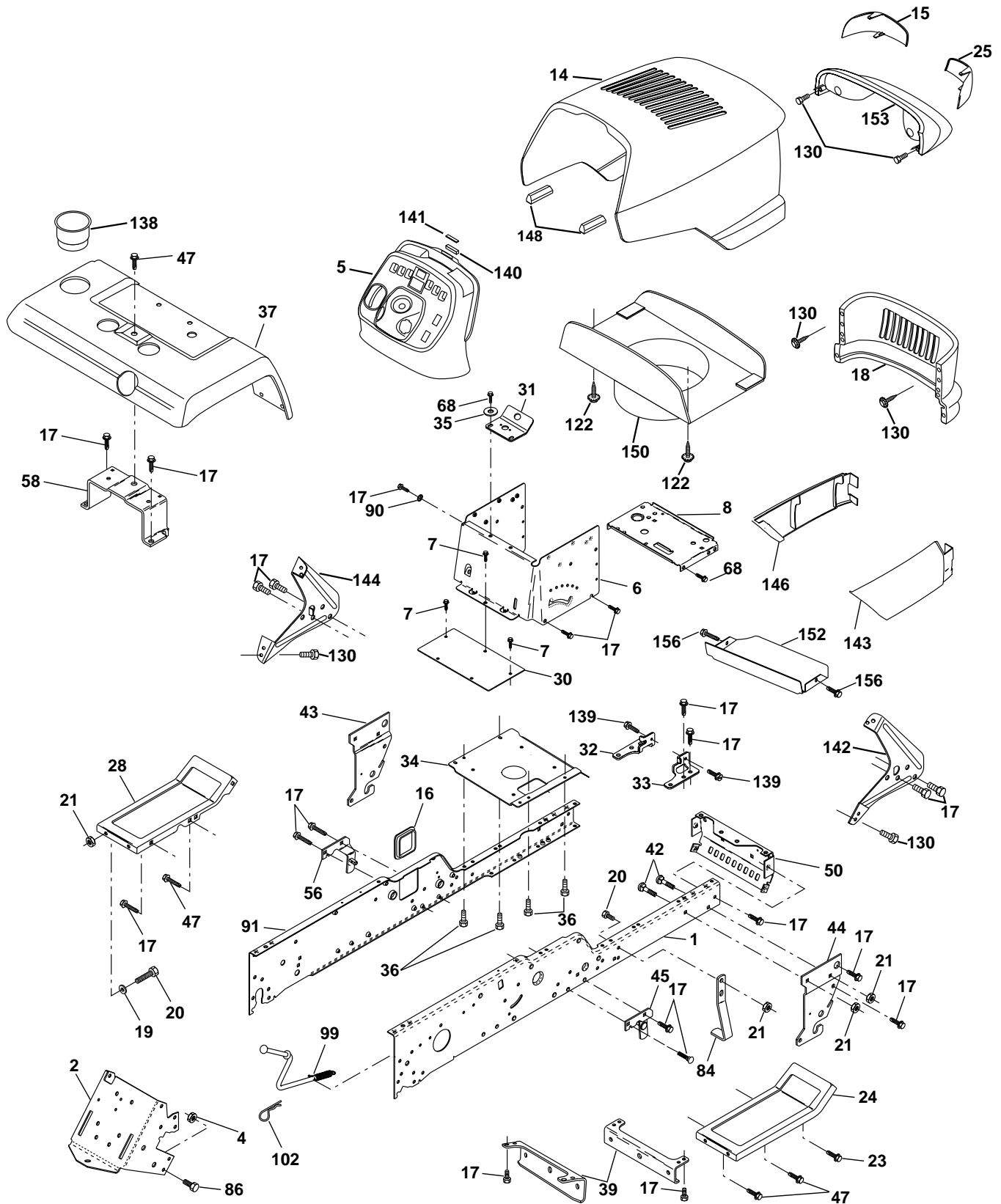
KEY NO.	PART NO.	DESCRIPTION
1	532144927	Battery
2	874760412	Bolt Hex Head 1/4-20 x 3/4
8	532124886	Tray, Battery
10	532145211	Bolt, Battery Front 1/4-20 x 7.5 Zinc
11	532150109	Holddown Battery Front Mount
12	532145769	Nut, Push Nylon 1.4" Battery Front
16	532153664	Switch Interlock Push-In
21	532166184	Harness Socket Light w/4152J
22	532004152	Bulb Light
25	532177662	Cable, Battery
26	532108824	Fuse
27	873510400	Nut Keps Hex 1/4-20
28	532170697	Cable, Ground
29	532160784	Switch, Plunger Normal Op Olive
30	532175566	Switch, Ign
33	532140401	Key
40	532170238	Harness Ign.
42	532154336	Cover, Terminal Red
45	532122822	Ammeter
46	532169635	Hourmeter Snap-In
50	532174651	Switch, PTO
79	532163996	Bulbholder Asm
81	532109748	Relay Asm.
89	532169639	Bracket Snap-In Hourmeter

NOTE: All component dimensions given in U.S. inches
1 inch = 25.4 mm

REPAIR PARTS

TRACTOR - - MODEL NO. GTH2550XPA

CHASSIS AND ENCLOSURES



REPAIR PARTS

TRACTOR - - MODEL NO. GTH2550XPA

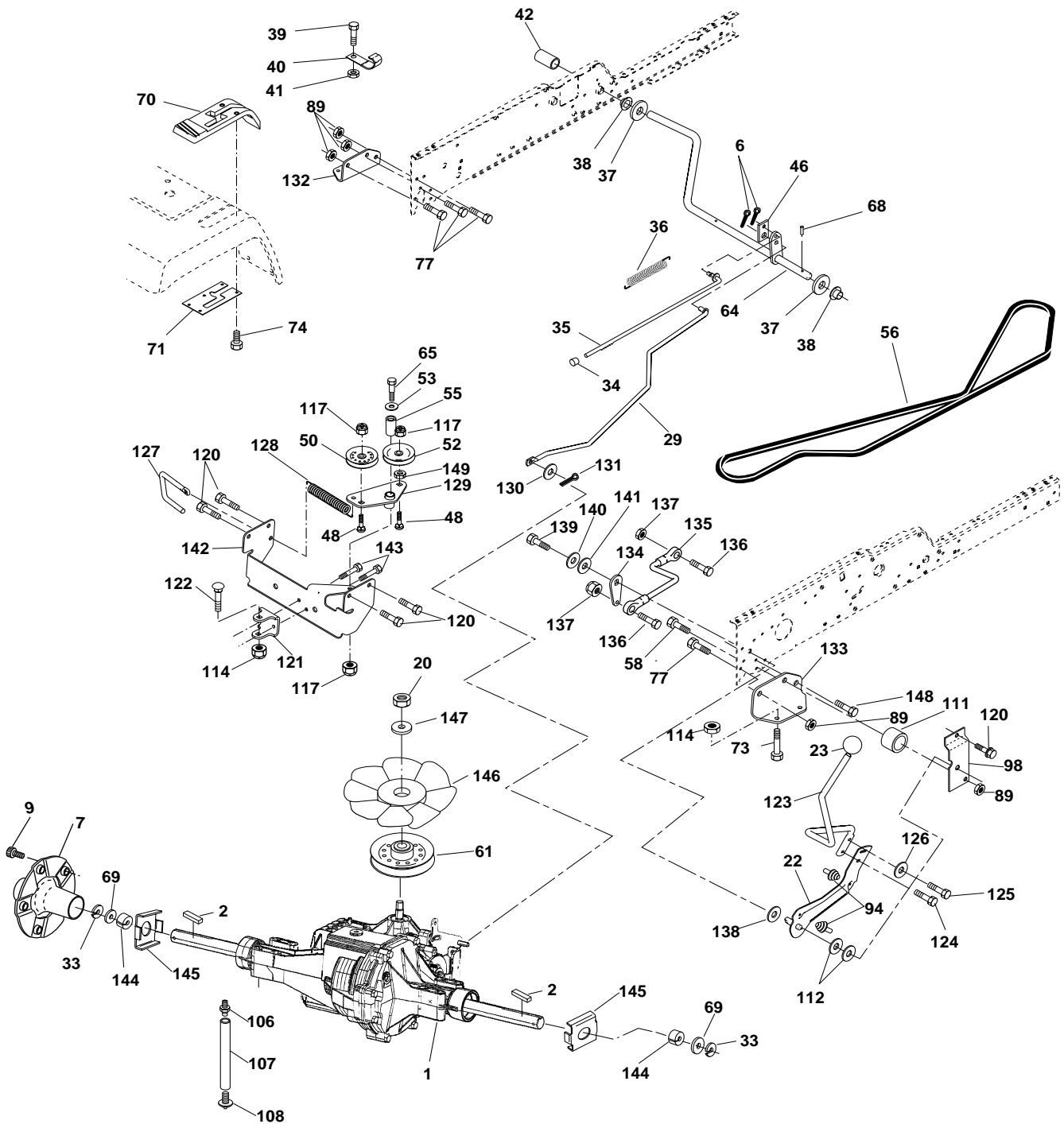
CHASSIS AND ENCLOSURES

KEY NO.	PART NO.	DESCRIPTION	KEY NO.	PART NO.	DESCRIPTION
1	532175465	Rail, Frame RH	43	532136939	Bracket, Spnsn Front Lh
2	532175282	Drawbar, Gt	44	532136940	Bracket, Spnsn Front Rh
4	873800700	Nut, Lock Hex 7/16 Unc	45	532154913	Bracket Asm., Susp Chassis Rh
5	532177582	Dash, Plastic	47	817670608	Screw Thdrol 3/8-16 x 1/2
6	532157882	Dash, 1PCS, Lower	50	532175476	Bracket, Chassis Front
7	817720408	Screw, Thd Cut 1/4-20 x 1/2	56	532154914	Bracket Asm., Susp Chassis Lh
8	532145166	Support, Battery	58	532175315	Bracket Asm., Fender
14	532177583	Hood Asm., Pnt	68	817490508	Screw, 5/16-18 x 1/2
15	532161842	Lens RH	84	532142992	Stop, Over Center Mower
16	532121794	Cover, Access	86	874760716	Bolt, Fin Hex 7/16-14 Unc x 1
17	817060612	Screw, 3/8-16 x 3/4	90	811050600	Washer, Lock External Tooth 3/8
18	532177584	Grille	91	532175464	Rail, Frame Lh
19	819131312	Washer 13/32 x 13/16 x 12 Ga.	99	532177143	Rod Asm. Bypass
20	874760616	Bolt, Fin Hex 3/8-16 x 1	102	532124788	Retainer Spring 1"
21	873680600	Nut, Crownlock 3/8-16	122	532161464	Screw Hex WSHD 8-18 x 7/8
23	817060616	Screw 3/8-16 x 1-1/2	130	532164863	Screw Hw Hd Hi-Lo #13-16 x 3/4
24	532147202	Footrest, RH	138	532166625	Cupholder
25	532161841	Lens LH	139	532171873	Bolt Shoulder 5/16-18
28	532147203	Footrest, LH	140	532163806	Magnet Stealth
30	532145052	Saddle	141	532163805	Striker Plate
31	532161419	Bracket Supt 1-pc Vgt Steering	142	532161897	Bracket Dash Stealth RH
32	532161327	Bracket, Frame Pivot Lh	143	532177586	Skirt Grille RH
33	532161326	Bracket, Frame Pivot Rh	144	532161900	Bracket Dash Stealth LH
34	532177018	Plate Asm Engine Chassis	146	532177587	Skirt Grille LH
35	819111116	Washer 11/32 x 11/16 x 16 Ga.	148	532164655	Extrusion Bumper
36	817060512	Screw 5/16-18 x 3/4	150	532161237	Duct Heat Hood
37	532169426	Fender, Pnt.	153	532177585	Lens, Headlight Bar
39	532175278	Bracket, Axle Front			
42	872140608	Bolt Rdhd Sqnk 3/8-16 Unc x 1			

NOTE: All component dimensions given in U.S. inches
1 inch = 25.4 mm

TRACTOR - - MODEL NO. GTH2550XPA

GROUND DRIVE



REPAIR PARTS

TRACTOR - - MODEL NO. GTH2550XPA

GROUND DRIVE

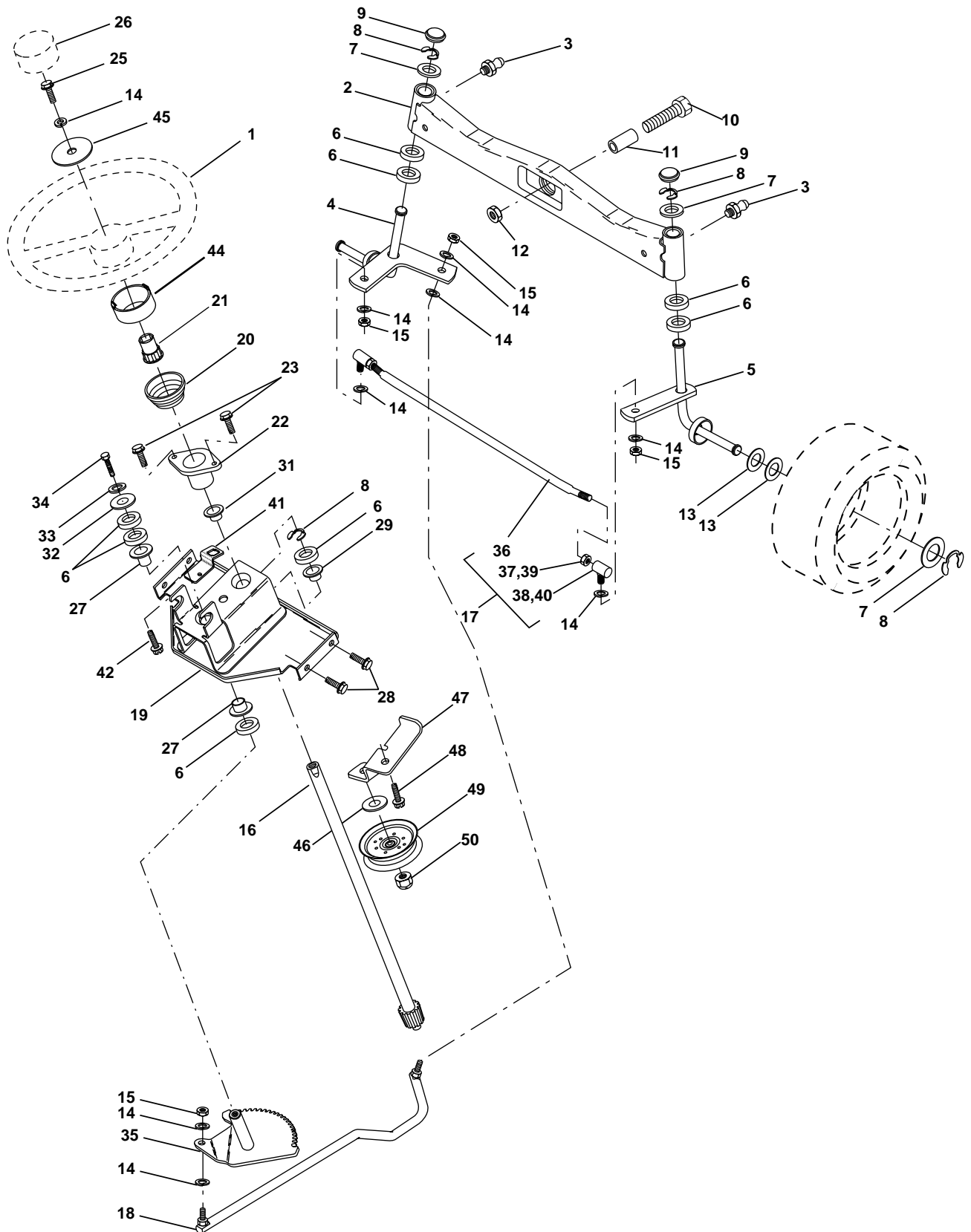
KEY NO.	PART NO.	DESCRIPTION	KEY NO.	PART NO.	DESCRIPTION
1	-----	Transaxle Hydro Gear 331-3000 (Order Parts From Transaxle Manufacturer)	98	532141004	Bracket Shift
2	532124762	Key Sq. 1/4 x 1/4 x 2	104	532175466	Bracket Idler Stationary
5	873680600	Nut, Crownlock 3/8-16	106	532142918	O-Ring Asm Hydro Gear
6	876020412	Pin, Cotter	107	532154739	Line Fuel Hydro 15" VGT
7	532140507	Wheel, Hub Assembly	108	532142917	Cap Asm Vent Hydro Gear
9	532140080	Bolt, Hub	111	532156240	Spacer Shift Lever VGTH
20	873940800	Nut	112	532156104	Washer Nylon High Temp
22	532176620	Lever Asm Shift	114	873800500	Nut Lock Hex W/Ins 5/16-18 Unc
23	532140845	Knob	117	873900600	Nut, Lock Flg. 3/8-16
29	532176600	Brake, Rod	120	817060612	Screw 3/8-16 x .75
33	812000053	Ring E	121	532175611	Bracket Strap Torque
34	532071673	Cap, Parking Brake	122	872110520	Bolt RDHDSQ 5/16-18 Unc x 2-1/2
35	532137648	Rod, Parking Brake	123	532176602	Rod Shift
36	532149412	Spring, Drive Ground	124	532165492	Bolt Shoulder 5/16-18 x .561
37	532121749	Washer 25/32 x 1-1/4 x 16 Ga.	125	532166880	Screw 5/16-18 x 5/8
38	532150035	Nyliner	126	532166002	Washer SRRTD 5/16 ID x 1.0 x .125
39	874321016	Screw, Fin. #10-24 x 1	127	532177362	Link Control Clutch
40	532005304	Actuator, Interlock Switch	128	532176624	Spring Drive GRND
41	873931000	Nut Centerlock 10-24 Unc	129	532175471	Bracket Asm Idler Tensioning
42	532008883	Cover, Pedal	130	819131016	Washer 13/32 x 5/8 x 16 Ga.
46	532145170	Retainer, Spring	131	876020308	Pin Cotter 3/32 x 1/2
50	532173438	Pulley, Idler, Flat	132	532175467	Bracket Mtg Hydro 3500 LH VGT
52	532127783	Pulley, Idler, Grooved	133	532175468	Bracket Mtg Hydro 3500 RH VGT
53	532000207	Washer, Hardened	134	532176623	Arm Shift Hydro 3500
55	532105706	Bearing, Idler	135	532177364	Link Asm Control Hydro 3500
56	532161597	V-Belt	136	874780516	Bolt Fin Hex 5/16-18 Unc x 1.00
58	874760724	Bolt Fin Hex 7/16-14 x 1-1/2	137	532001685	Nut Lock 5/16-18 NC Thd.
61	532143995	Pulley, Transaxle	138	532001370	Washer Thrust 5/8 x 1.10 x 1/32
64	532176601	Shaft, Brake Pedal	139	874550412	Bolt 1/4-28 Unf Gr8 w/Patch
65	532171423	Bolt, Shoulder	140	810040400	Washer Lock Hvy. Helical 1/4
68	532005142	Pin, Roll	141	819091210	Washer 9/32 x 3/4 x 10 Ga.
69	532123800	Washer	142	532175469	Strap Torque HG-3500
70	532166624	Console Automatic YT/GT	143	817490508	Screw Thdrol 5/16-18 x 1/2
71	532151179	Plate Console Shift	144	532160849	Washer Spacer Axle HG-3000
72	873680500	Nut, Crownlock 5/16-18	145	532163168	Washer Axle Flange HG-3000
73	874490548	Bolt Hex Flghd 5/16-18 x 3 Gr5	146	532140462	Fan 7" Hydro
74	532142432	Screw Hex Wsh. Hi-Lo 1/4-1/2	147	532141322	Washer
77	874760716	Bolt Fin Hex 7/16-14 x 1	148	817060616	Screw 3/8-16 x 1.0
89	873680700	Nut Crownlock 7/16-14 Unc	149	819131410	Washer 13/32 x 7/8 x 10 Ga.
94	532133835	Fastener Christmas Tree			

NOTE: All component dimensions given in U. S. inches 1 inch = 25.4 mm

REPAIR PARTS

TRACTOR - - MODEL NO. GTH2550XPA

STEERING ASSEMBLY



REPAIR PARTS

TRACTOR - - MODEL NO. GTH2550XPA

STEERING ASSEMBLY

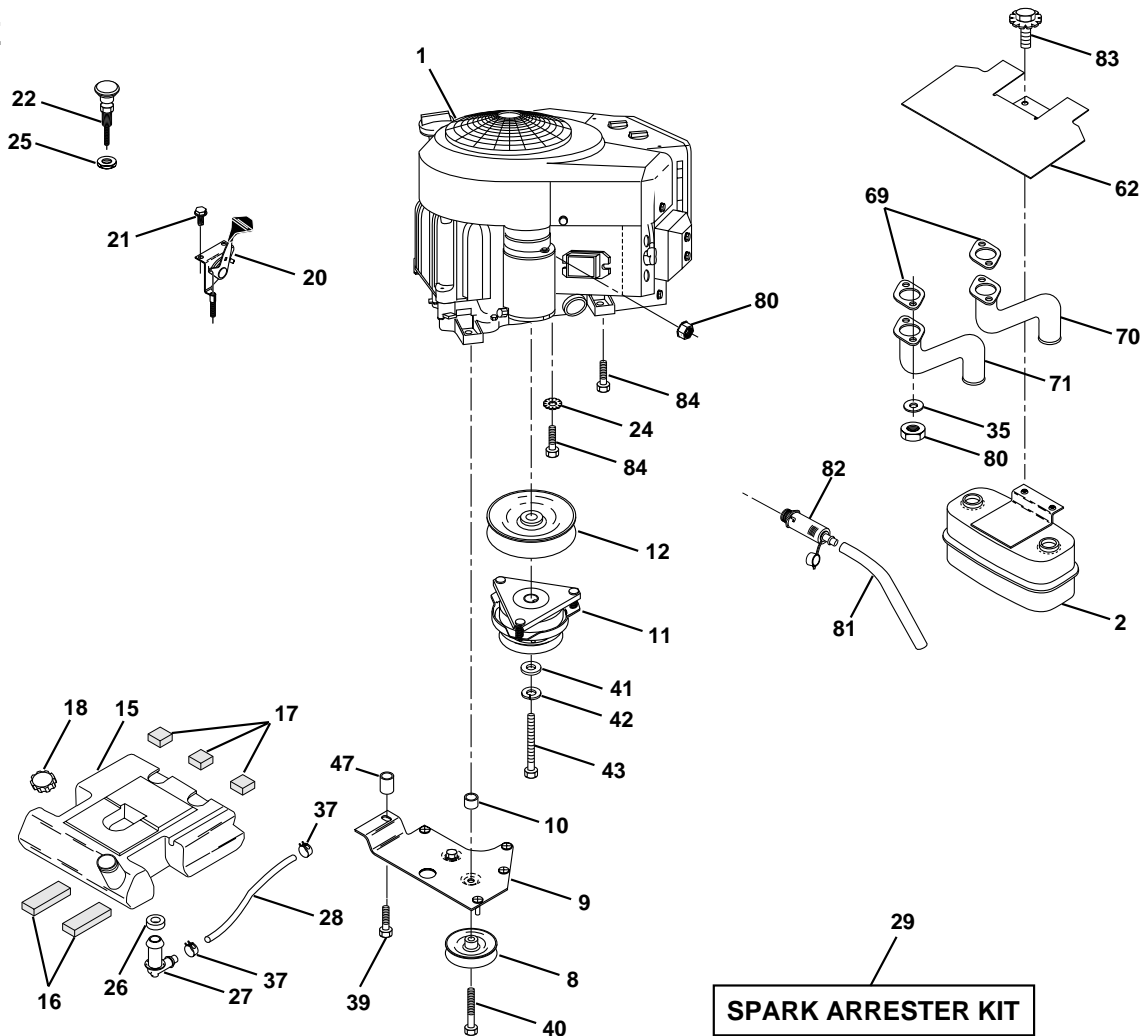
KEY NO.	PART NO.	DESCRIPTION
1	532166627	Wheel, Steering
2	532137094	Axle Asm., Front
3	532124836	Fitting, Grease
4	532161849	Spindle Asm, LH
5	532161848	Spindle Asm., RH
6	532124931	Bearing, Race Thrust Harden
7	532121748	Washer 25/32 x 1-5/8 x 16 Ga.
8	812000029	Ring, Klip#T5304-75
9	532121232	Cap, Spindle
10	874781044	Bolt, Fin Hex 5/8-11 x 2-3/4
11	532136518	Spacer Brg Axle Front 1.570
12	873901000	Nut, Lock Flange 5/8-11 Unc
13	532121749	Washer 25/32 x 1-1/4 x 16 Ga.
14	810040600	Washer, Lock Hvy Hlcl Spr 3/8
15	532124701	Nut Lock Center 3/8-24 Unf
16	532145103	Shaft Asm., Steering
17	532176584	Rod Asm., Tie Ball J Ball Vgt (Inc. Key No. 36-40)
18	532137155	Draglink, Ball Joint Solid Vgt
19	532156011	Support Asm., Steering Vgt
20	532177592	Boot Steering
21	532159945	Adapter, Wheel Steering
22	532155105	Bushing, Strg.
23	532152927	Screw
25	874780616	Bolt, Fin Hex 3/8-16 x 1 Gr. 5
26	532166626	Cap, Wheel Steering
27	532124937	Bearing, Col. Strg.
28	817000612	Screw 3/8-16 x 3/4
29	532104239	Bearing, Flange
31	532138136	Bushing, Nyliner Snap
32	819111610	Washer 11/32 x 1 x 10 Ga.
33	810040500	Washer, Lock Hvy Hlcl Spr 5/16
34	874780512	Bolt, Hex Hd 5/16-18 x 3/4
35	532138059	Gear, Sector Steering
36	532176585	Tie Rod
37	873360600	Jam Nut RH Thread
38	532109850	Joint Asm. Ball RH Thread
39	873700600	Nut Hex Jam 3/8-24 UNF LH
40	532109851	Joint Asm Ball RH
41	532155246	Bracket Switch Inerlock VGT97
42	817490508	Screw 5/16-18 x 1/2
44	532177593	Extension Steering Premium
45	819132411	Washer 13/32 x 1-1/20 x 11 Ga.
46	819131410	Washer 13/32 x 7/8 x 10 Ga.
47	532177863	Bracket Asm. Idler
48	817060612	Screw 3/8-16 x .75
49	532131494	Pulley Idler Flat
50	873900600	Nut Lock Flg 3/8-16 Unc

NOTE: All component dimensions given in U.S. inches
1 inch = 25.4 mm

REPAIR PARTS

TRACTOR - - MODEL NO. GTH2550XPA

ENGINE



KEY NO.	PART NO.	DESCRIPTION
1	-----	Engine Kawasaki, Model No. FH721V (Order parts from engine manuf.)
2	532149723	Muffler Side
8	532121361	Pulley V-Idler
9	532177748	Keeper Asm. Belt Engine VGT
10	532175287	Bushing
11	532170056	Clutch Electric
12	532143996	Pulley Engine VGT Elect Clutch
15	532151346	Tank Fuel Rear 3.50
16	532109227	Pad Spacer
17	532106082	Pad Spacer
18	532161493	Cap Fuel
20	532178147	Control Throttle
21	532164863	Screw Hex Thd Cut 1/4 - 20 X 5/8
22	532178148	Control Choke
24	811050600	Washer Ext Tooth 3/8
25	873920600	Nut Keps 3/8-24 Unf
26	532003645	Bushing
27	532139277	Stem Tank Fuel
28	532007834	Fuel Line

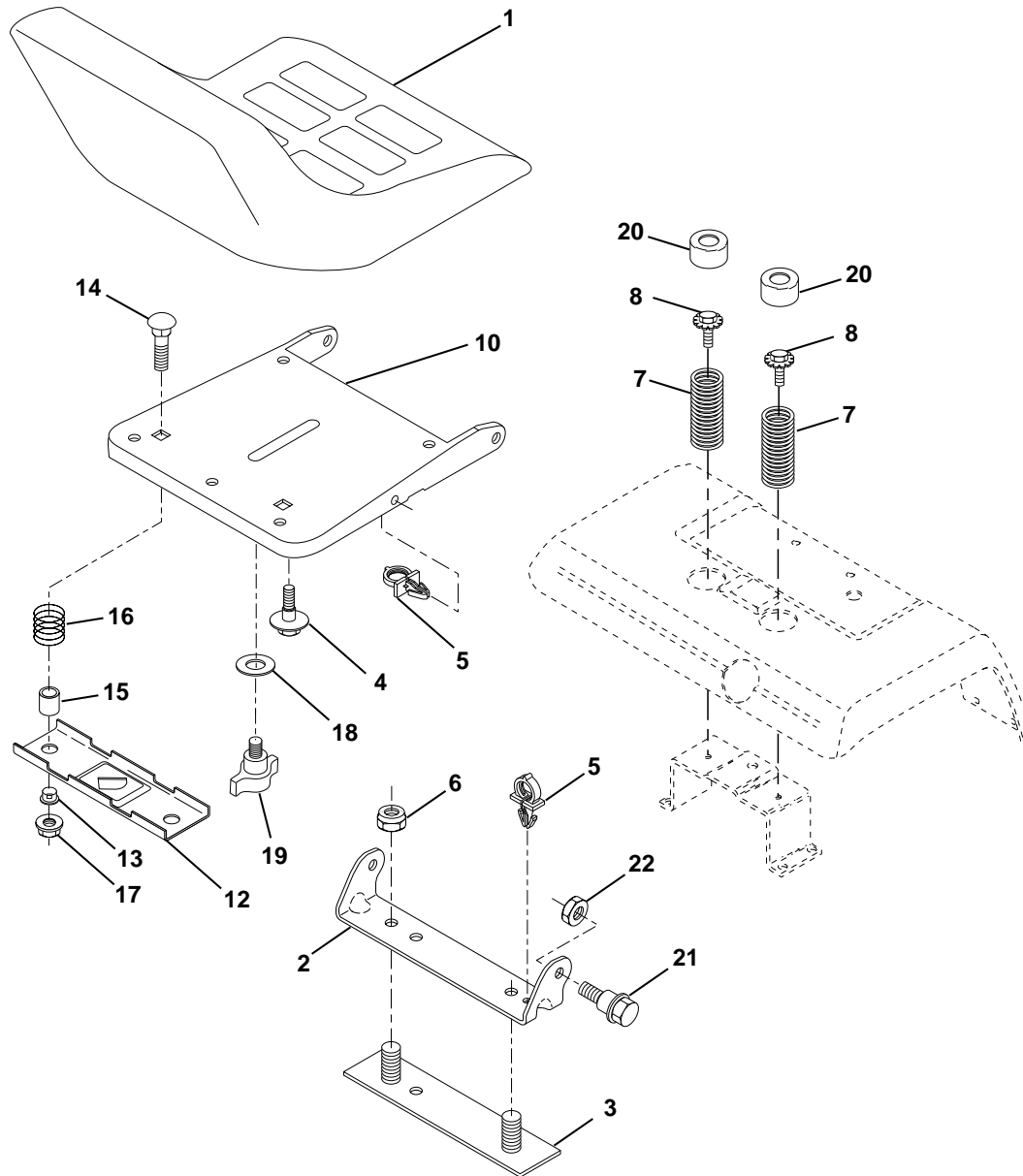
KEY NO.	PART NO.	DESCRIPTION
29	532137180	Spark Arrester Kit
35	810010500	Washer
37	532123487	Clamp Hose
39	817490636	Screw TT 3/8-16 x 2-1/4 UNC
40	817490664	Screw TT 3/8-16 x 4 UNC
41	532126197	Washer 1-1/2 OD X 15/32 ID X .250
42	810040700	Washer Lock 7/16
43	532173937	Bolt Hex 7/16-20 X 4-1/4 Ga 5
47	532175288	Bushing
62	532176252	Shield Heat Muffler
69	532178151	Gasket
70	532175766	Tube Exhaust LH
71	532175767	Tube Exhaust RH
80	532163305	Nut Flange M8-1.25
81	532148456	Tube Drain Oil Easy
82	-----	Plug Oil Drain Easy (Order from Engine Manuf.)
83	532171877	Bolt 5/16-18unc X 1-3/4 W/Sems
84	817060624	Screw 3/8-16 x 1-1/2

NOTE: All component dimensions given in U.S. inches
1 inch = 25.4 mm

REPAIR PARTS

TRACTOR - - MODEL NO. GTH2550XPA

SEAT ASSEMBLY



KEY NO.	PART NO.	DESCRIPTION
1	532141525	Seat
2	532140551	Bracket, Pivot Seat
3	532140675	Strap, Fender
4	532127018	Bolt, Shoulder 5/16-18 X .62
5	532145006	Clip, Push In Hinged
6	873800600	Nut, Crownlock 3/8-16
7	532124181	Spring, Seat Cprsn
8	532171877	Bolt 5/16-18 UNC X 3/4
10	532174894	Pan, Seat
12	532121246	Bracket, Mounting Switch
13	532121248	Bushing, Snap

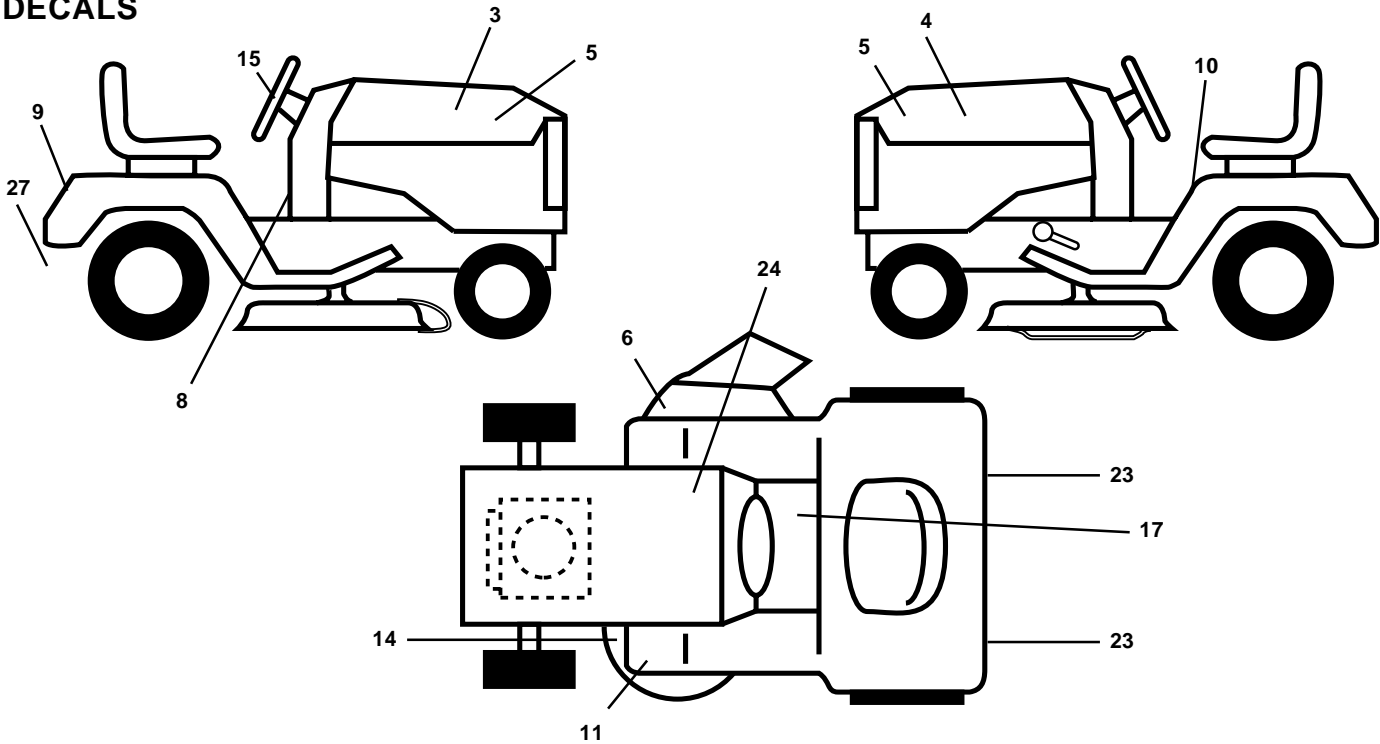
KEY NO.	PART NO.	DESCRIPTION
14	872050412	Bolt, Carriage 1/4-20 X 1-1/2
15	532121249	Spacer, Split
16	532123740	Spring, Cprsn
17	532123976	Nut, Lock 1/4 Lge Flg Gr. 5
18	819171912	Washer 17/32 X 1-3/16 X 12 Ga.
19	532166369	Knob, Seat
20	532124238	Cap, Spring Seat
21	532171852	Bolt, Shoulder 5/16-18
22	873800500	Nut, Crownlock 5/16-18

NOTE: All component dimensions given in U.S. inches
1 inch = 25.4 mm

REPAIR PARTS

TRACTOR - - MODEL NO. GTH2550XPA

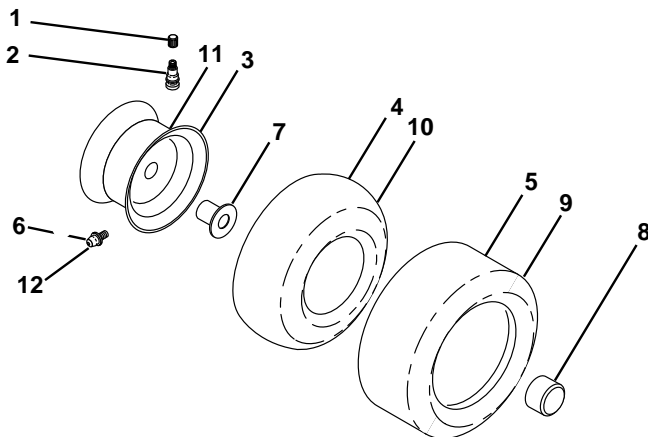
DECALS



KEY NO.	PART NO.	DESCRIPTION
3	532177746	Decal, Hood, RH
4	532177747	Decal, Hood, LH
5	532176871	Decal, Side Panel
6	532170563	Decal, Warning
8	532176864	Decal, Dash
9	532176822	Decal, Fender
10	532157140	Decal, Danger
11	532177782	Decal, Foot Rest
14	532160397	Decal, V-Belt Schematic
15	532170564	Decal, Ins. Strg Whl

KEY NO.	PART NO.	DESCRIPTION
17	532140837	Decal, Saddle Brake Parking
23	532106202	Reflector, Taillight
24	532145005	Decal, Btry Dngr/Psn
27	532166960	Decal, Drawbar
--	532138311	Decal, Handle Lift (Lift Handle)
--	532133671	Pad Footrest
--	532177866	Manual, Owner's (English)
--	532177867	Manual, Owner's (French)

WHEELS & TIRES



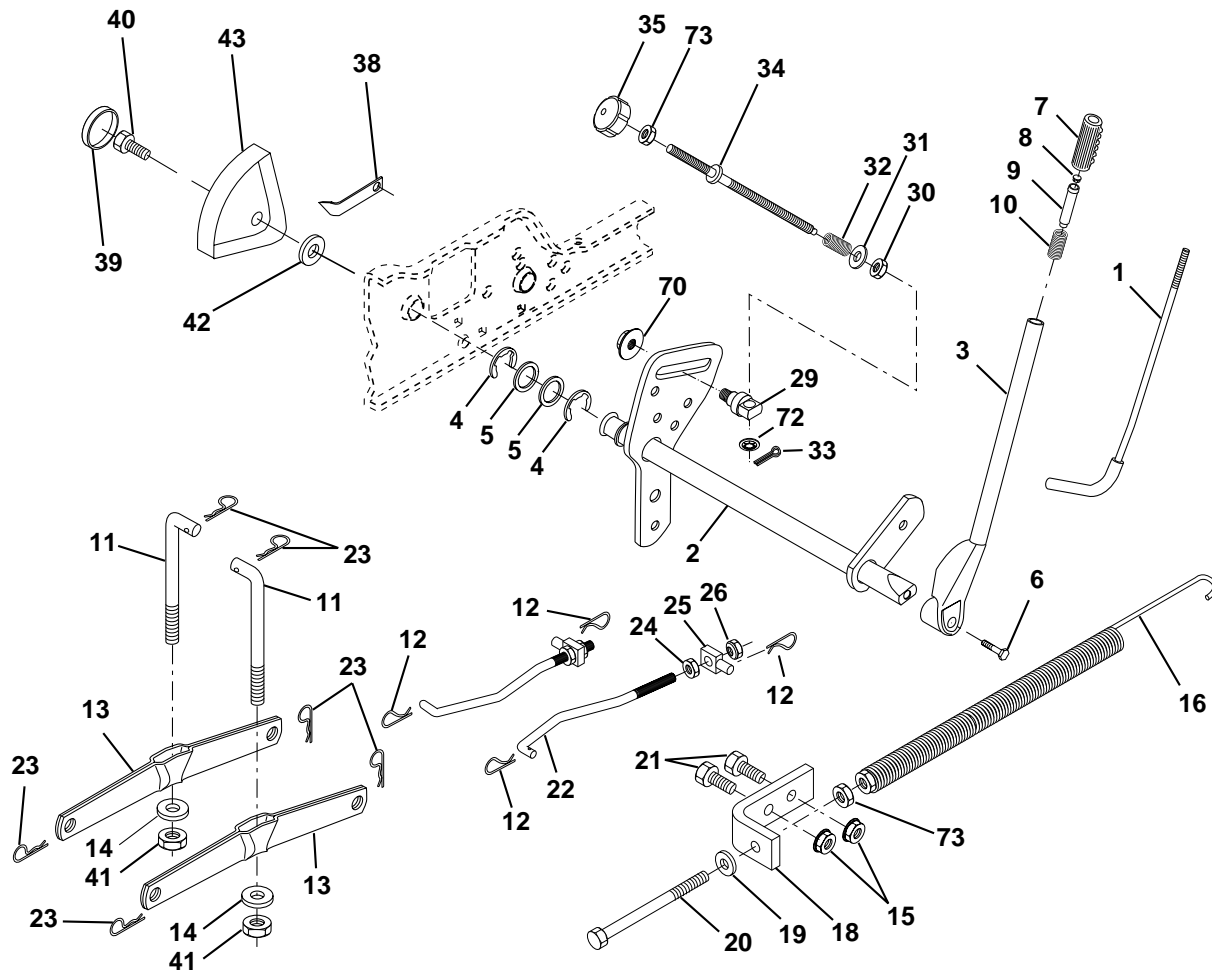
KEY NO.	PART NO.	DESCRIPTION
1	532059192	Cap, Valve, Tire
2	532065139	Stem, Valve
3	532144509	Rim Assembly, Front
4	532008134	Tube, Front (Service Item Only)
5	532106230	Tire, Front
6	532124957	Fitting, Grease
7	532124959	Bearing, Flange (Front Wheel Only)
8	532175039	Cap, Hub
9	532105588	Tire, Rear
10	532007154	Tube, Rear (Service Item Only)
11	532144510	Rim Assembly, Rear
12	532124860	Fitting, Grease
--	532144334	Sealant, Tire (10 oz. Tube)

NOTE: All component dimensions given in U.S. inches
1 inch = 25.4 mm

REPAIR PARTS

TRACTOR - - MODEL NO. GTH2550XPA

LIFT ASSEMBLY



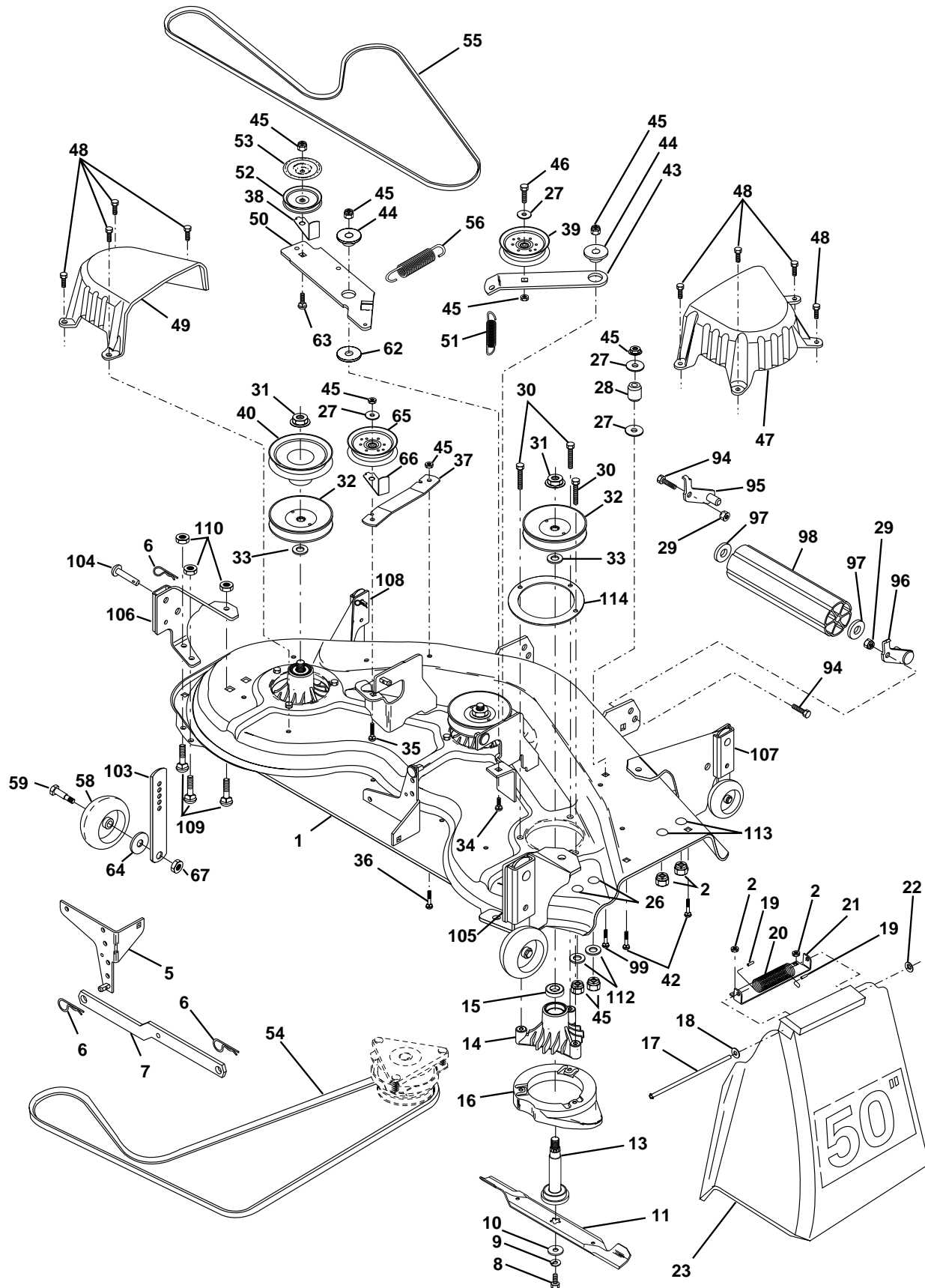
KEY NO.	PART NO.	DESCRIPTION	KEY NO.	PART NO.	DESCRIPTION
1	532121006	Rod Asm., Lever	23	532124670	Retainer, Spring
2	532177535	Shaft Asm., Lift Vgt	24	873350800	Nut, Jam Hex 1/2-13 Unc
3	532159189	Lever Asm., Lift Rh	25	532130171	Trunnion
4	812000022	E-Ring Truarc #5133-87	26	873800800	Nut, Lock W/Wsh 1/2-13 Unc
5	819292016	Washer 29/32 x 1-1/4 x 16 Ga.	29	532150233	Trunnion Infin Height
6	871110624	Bolt, Fin Hex 3/8-16 x 1-1/2	30	532110807	Nut, Special
7	532125631	Grip, Handle	31	819131016	Washer 13/32 x 5/8 x 16 Ga.
8	532124526	Button, Plunger	32	532137150	Spring, Compression Inf Hgt
9	532122364	Plunger, Lever Lift	33	876020308	Pin, Cotter 3/32 x 1/2
10	532124874	Spring 2-1/8"	34	532137167	Rod, Adj Lift
11	532146704	Link Lift	35	532138057	Knob, Inf 3/8-16 Unc
12	532163552	Retainer, Spring	38	532155097	Pointer Height Indicator
13	532139868	Arm, Suspension Vgt	39	532123935	Plug, Hole Blk. 1.485/1.515 Dia.
14	532169865	Bearing	40	817060516	Screw 5/16-18 x 1
15	873680600	Nut, Crownlock 3/8-16	41	873540600	Nut, Crownlock 3/8-24
16	532124687	Spring Asm., Assist Lift	42	819112410	Washer 11/32 x 1-1/2 x 10 Ga.
18	532143363	Bracket, Spring Assist	43	532123934	Scale, Indicator Height
19	819131316	Washer 13/32 x 13/16 x 16 Ga.	70	532145212	Nut Hex Flange Lock
20	532005328	Bolt, Adjust Spring Assist	72	532110452	Nut Push Phos & Oil
21	874760616	Bolt, Fin Hex 3/8-16 x 1	73	873350600	Nut, Hex Jam 3/8-16 Unc
22	532127218	Link, Front			

NOTE: All component dimensions given in U.S. inches
1 inch = 25.4 mm

REPAIR PARTS

TRACTOR - - MODEL NO. GTH2550XPA

MOWER DECK



REPAIR PARTS

TRACTOR - - MODEL NO. GTH2550XPA

MOWER DECK

KEY NO.	PART NO.	DESCRIPTION	KEY NO.	PART NO.	DESCRIPTION
1	532178897	Deck Asm., Mower 50"	49	532136574	Cover, Mandrel LH
2	873680500	Nut, Crownlock 5/16-18	50	532137272	Arm, Idler Primary
5	532138457	Bracket Asm., Sway Bar	51	532137273	Spring, Secondary
6	532124670	Retainer, Spring	52	532139245	Pulley, Idler V Groove
7	532130832	Arm Suspension, Rear	53	532137789	Shield, Idler
8	532850857	Bolt 3/8-24 x 1.25 Gr. 8 Patched	54	532139573	V-Belt, Mower Primary
9	810030600	Washer, Lock Hvy 3/8 Unplated	55	532144959	V-Belt, Mower Secondary
10	532140296	Washer, Hard Blade Mower Vented	56	532138687	Spring, Primary
11	532137380	Blade (3 Required)	58	532133957	Wheel, Gauge
13	532137553	Shaft Asm., W/Lower Brg	59	532137644	Bolt, Shoulder
14	532137152	Housing, Mandrel 50" Vent	62	532133943	Washer Hardened
15	532110485	Bearing, Ball Mandrel	63	872110612	Bolt Carriage 3/8-16 x 1-1/2
16	532174493	Stripper, Mower Vented	64	819121414	Washer 3/8 x 7/8 x 14 Ga.
17	532106735	Rod, Hinge	65	532151831	Pulley Idler Flat Mower
18	819111016	Washer 11/32 x 5/8 x 16 Ga.	66	532156009	Keeper, Belt Idler 50" Vent
19	532105304	Cap Sleeve	67	873930600	Nut, Center Lock 3/8-16
20	532123713	Spring, Torison Deflector	94	874760616	Bolt H 3/8-16 x 1
21	532137607	Bracket, Deflector	95	532132274	Bracket, Asm. Noseroller LH
22	532110452	Nut, Push	96	532132273	Bracket, Asm. Noseroller RH
23	532171593	Shield, Deflector Mower	97	819171416	Washer 17/32 x 7/8 x 16 Ga.
26	872110606	Bolt RdHd Sht Sqnk	98	532132264	Roller, Nose
27	819131316	Washer 13/32 x 13/16 x 16 Ga.	99	872110614	Bolt, Carriage 3/8-16 x 1-3/4 Gr. 5
28	532132823	Spacer, Spring Stop Idler	103	532155986	Bar Adj. Gauge Wh.
29	873800600	Nut, Lock Hex W/Wsh 3/8-16 Unc	104	532156941	Pin Head Rivot
30	532157722	Screw Thd Rolling Washer Head	105	532156852	Bracket Ga Wh Asm RH 50
31	532137266	Nut, Flg Top Lock Cntr 9/16	106	532156853	Bracket Ga Wh Asm LH 50
32	532153535	Pulley, Mandrel	107	532156854	Bracket Ga Wh Assy F RH 50
33	532129963	Washer, Spacer Mower Vented	108	532156856	Bracket Ga Wh Assy F LH 50
34	872140610	Bolt, Carriage 3/8-16 x 1-1/4	109	872010505	Bolt Carriage 5/16- 18 x 5/8
35	872110616	Bolt, Carriage 3/8-16 x 2	110	873980500	Nut Crownlock 5/16-18
36	872110608	Bolt, Carriage 3/8-16 x 1 Gr. 5	112	819171216	Washer 17/32 x 3/4 x 16 Ga.
37	532137166	Stiffener, Arm Idler	113	872110504	Bolt Carriage 5/16-Unc 1/2
38	532156085	Keeper, Belt Idler	114	532153183	Reinforcement Mandrel Ring
39	532131494	Pulley, Idler Flat	--	532143651	Mandrel Asm (Includes Key Nos. 8-10, 13-15, 31 and 33)
40	532136572	Pulley, Driven	--	532178346	Mower Asm Service (Std. Deck - Order separately all Nose Roller components)
42	872140506	Bolt, Carriage 5/16-18 Unc x 3/4			
43	532136460	Arm, Idler Secondary			
44	532165723	Spacer, Retainer			
45	873680600	Nut, Crownlock 3/8-16 Unc			
46	874760628	Bolt, Fin Hex 3/8-16 Unc x 1-3/4			
47	532137200	Cover, Mandrel RH			
48	532137729	Screw, Thd Roll 1/4-20 x 5/8			

NOTE: All component dimensions given in U.S. inches
1 inch = 25.4 mm