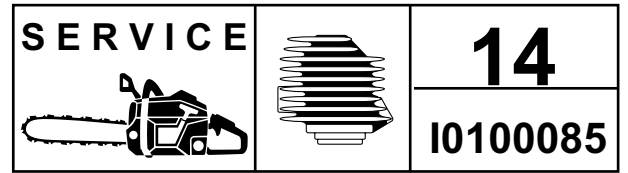


For Husqvarna Parts Call 606-678-9623 or 606-561-4983



IPL, 250 R, 252 RX, 250 R (EPA), 252 RX (EPA), 2001-05, 106 27 43-61

250 R

252 RX

250 R (EPA)

252 RX (EPA)

Spare parts

Ersatzteile

Pièces détachées

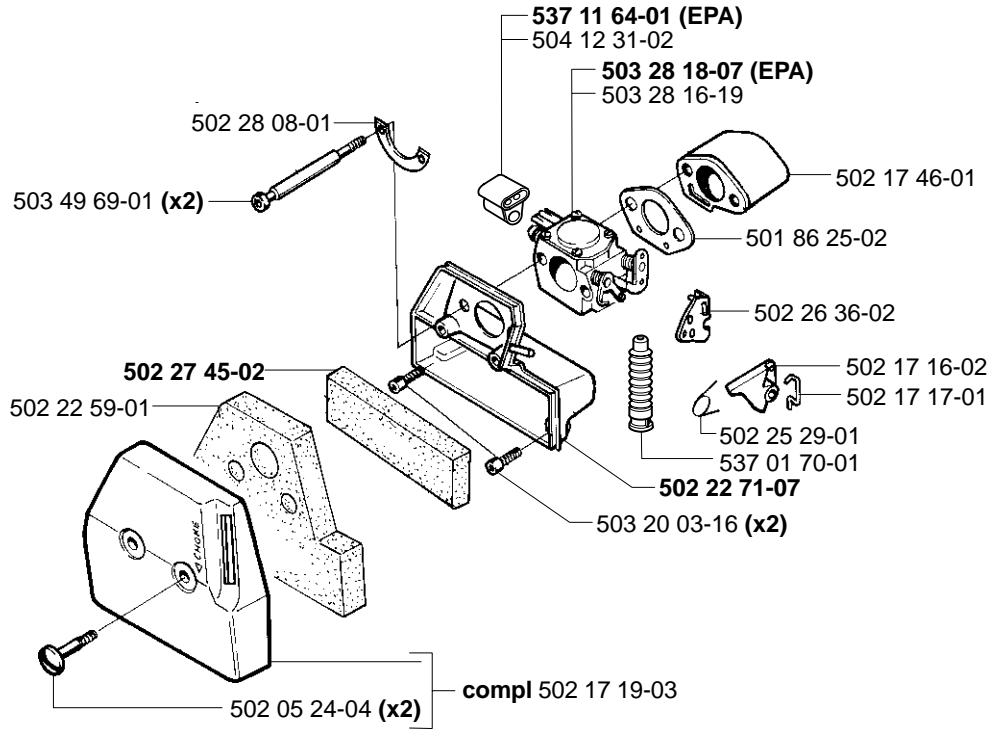
Reserve onderdelen

Repuestos

Reservdelar

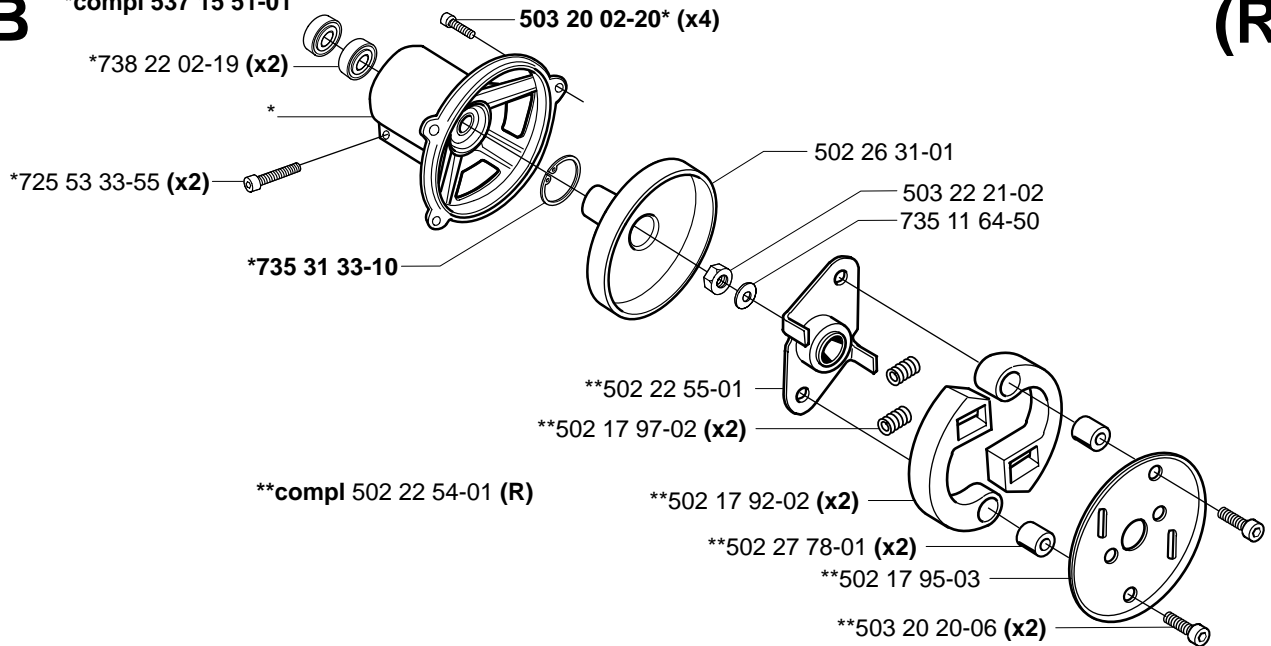
106 27 43-61

A



B

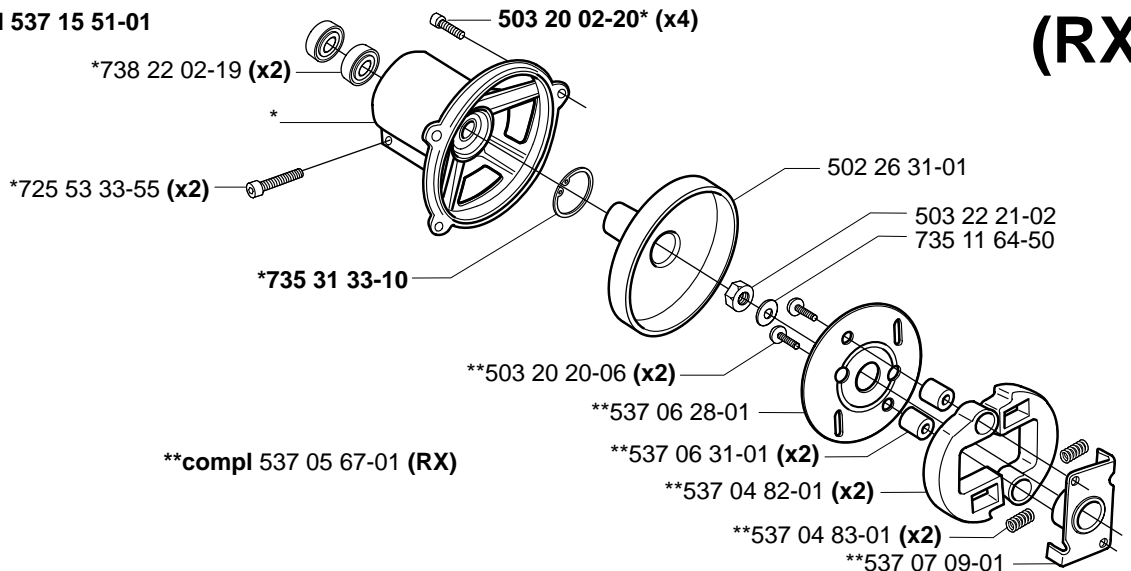
*compl 537 15 51-01



(R)

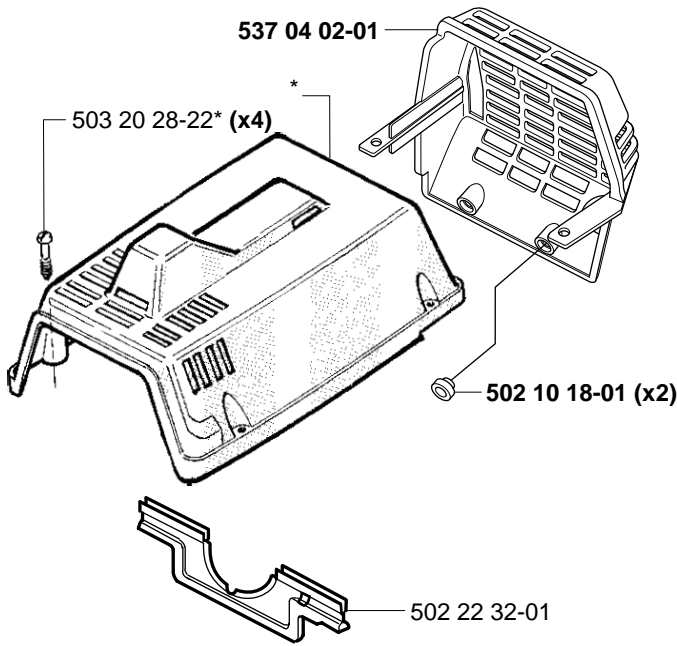
C

*compl 537 15 51-01



(RX)

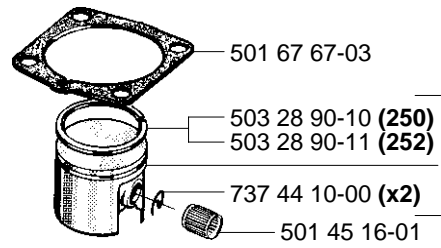
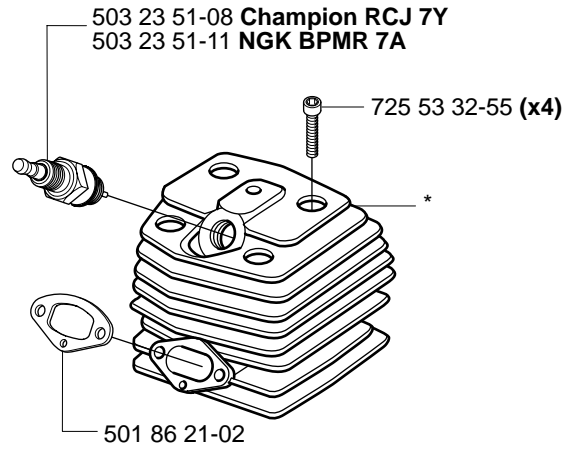
D *compl 502 22 46-05



502 21 26-28 (250R) — **250 R**
Husqvarna

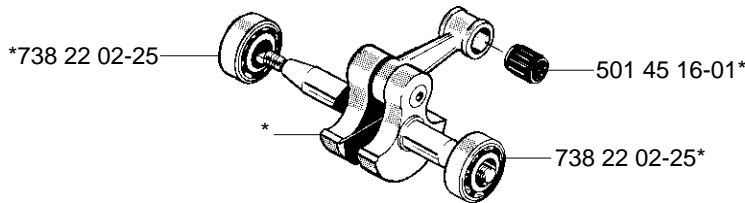
502 21 26-29 (252RX) — **252 RX**
Husqvarna

E *compl 502 27 34-01 (250 R)
 *compl 502 22 77-02 (252 RX)

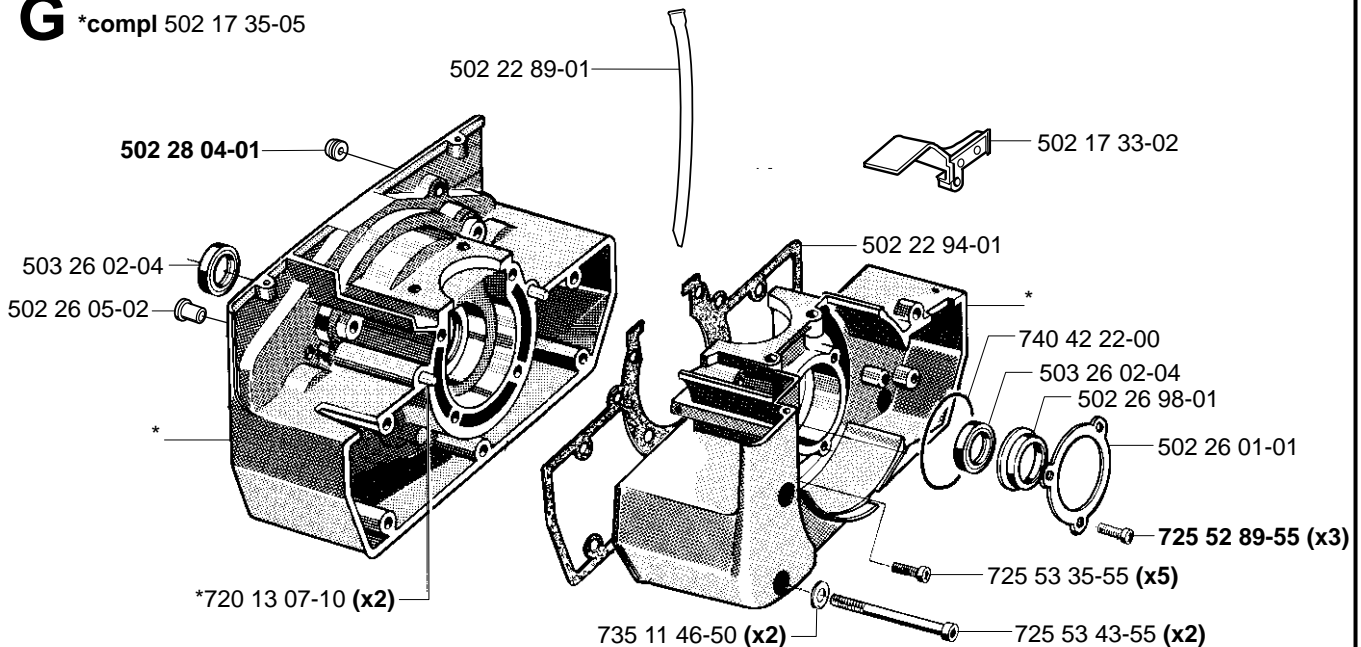


*502 27 35-01 (250 R)
 *502 22 79-01 (252 RX)

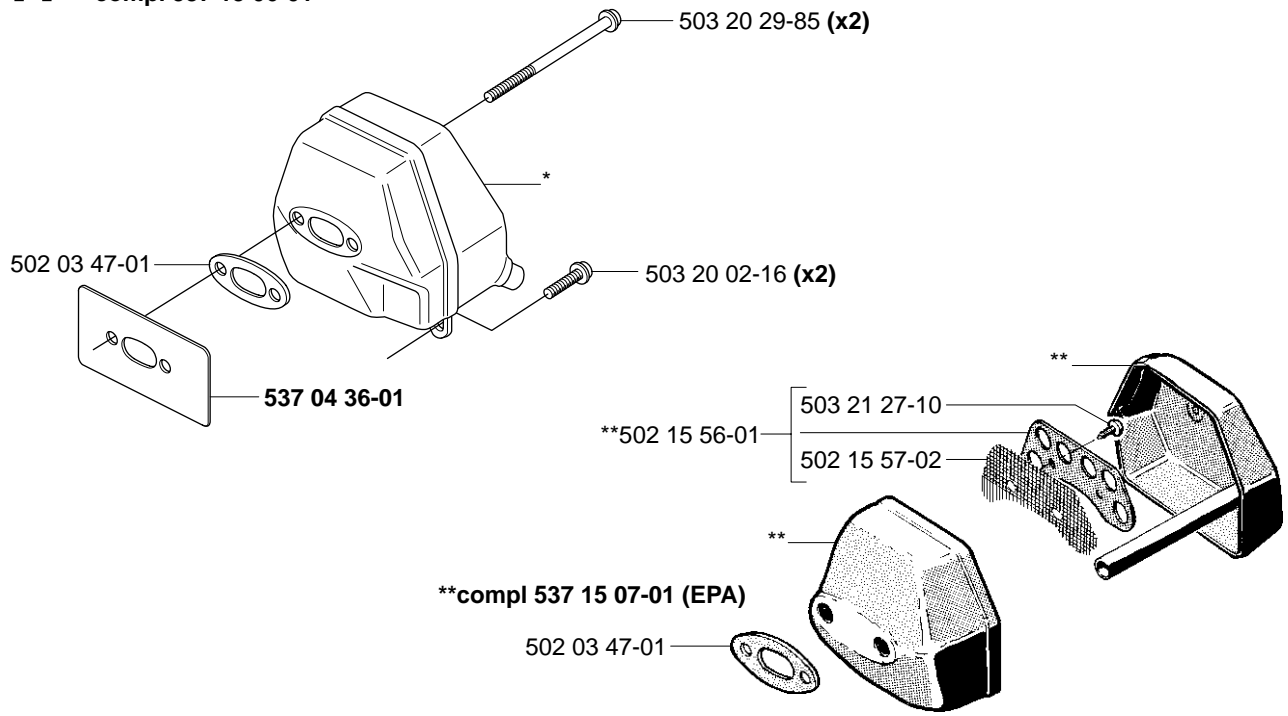
F *compl 502 05 08-74



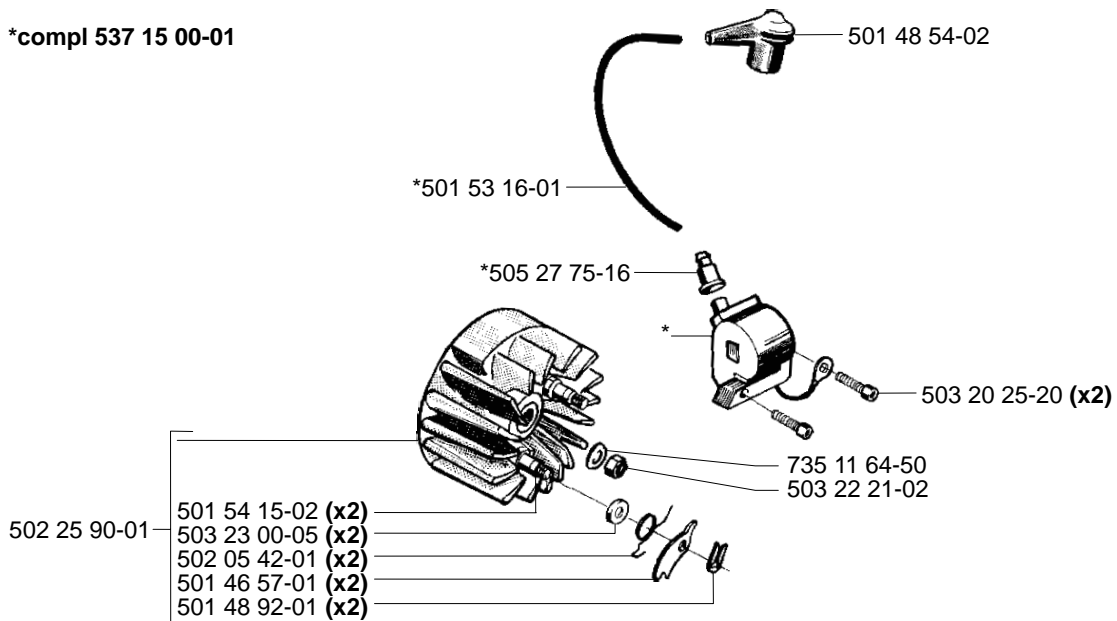
G *compl 502 17 35-05



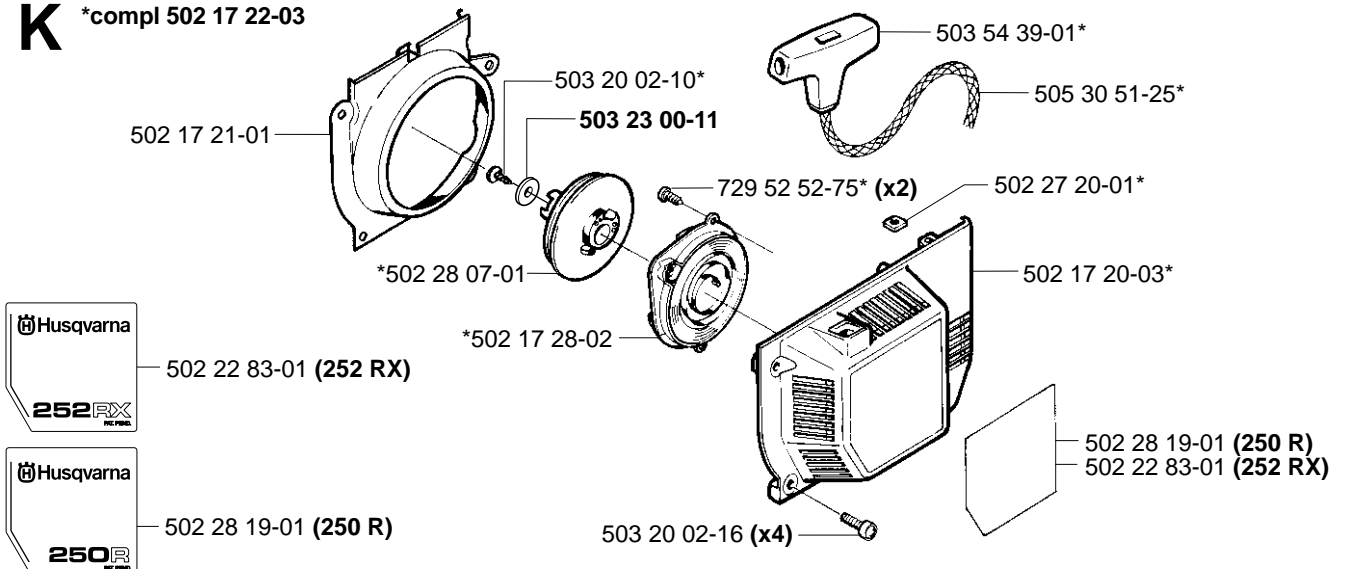
H *compl 537 15 06-01



J *compl 537 15 00-01

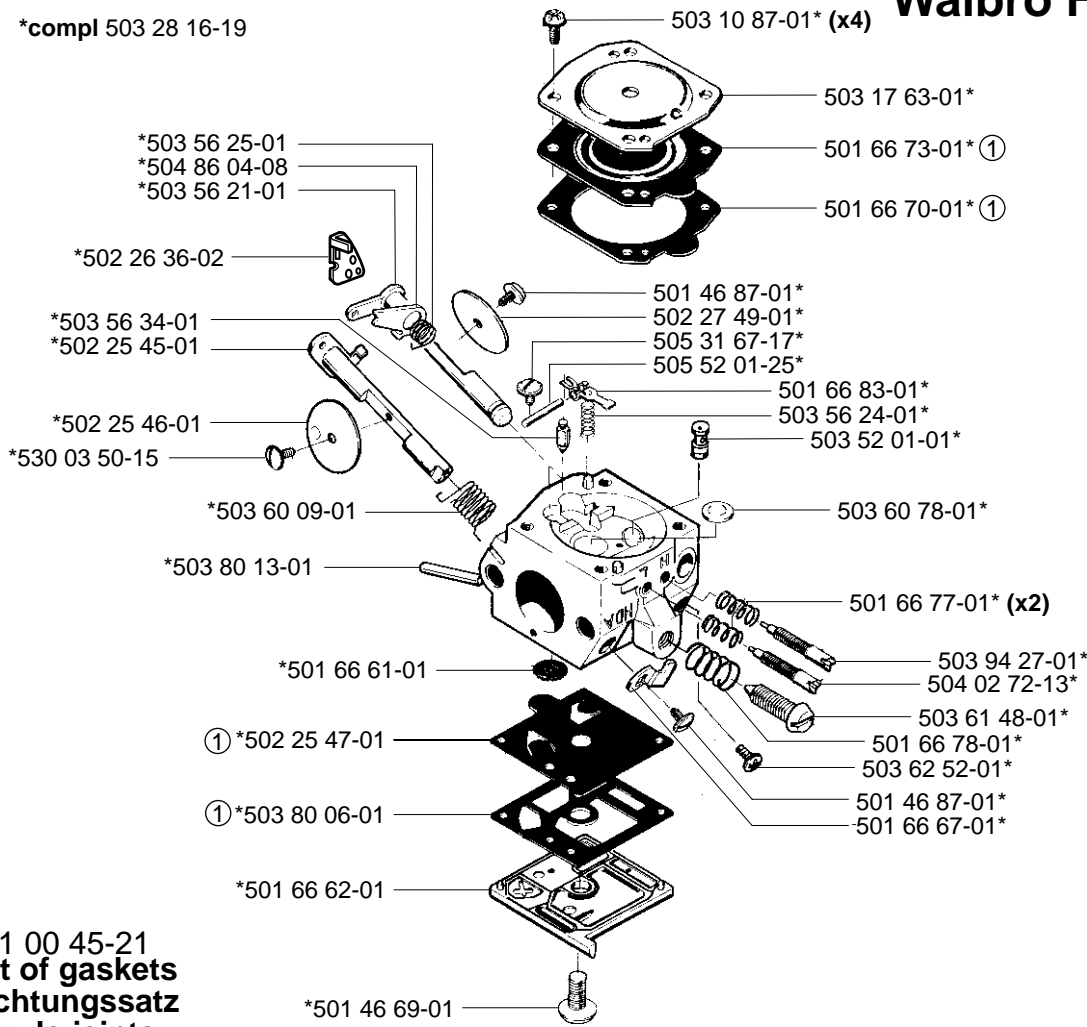


K *compl 502 17 22-03



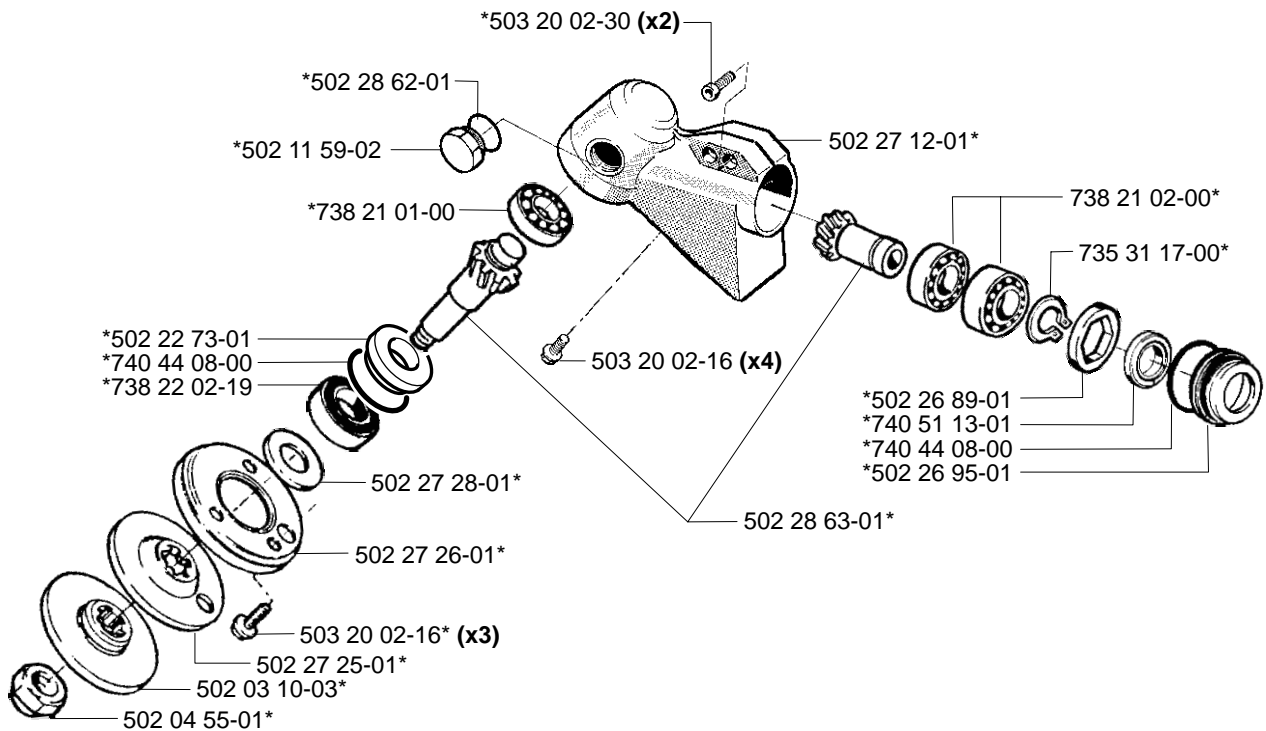
Walbro HDA-142

L *compl 503 28 16-19

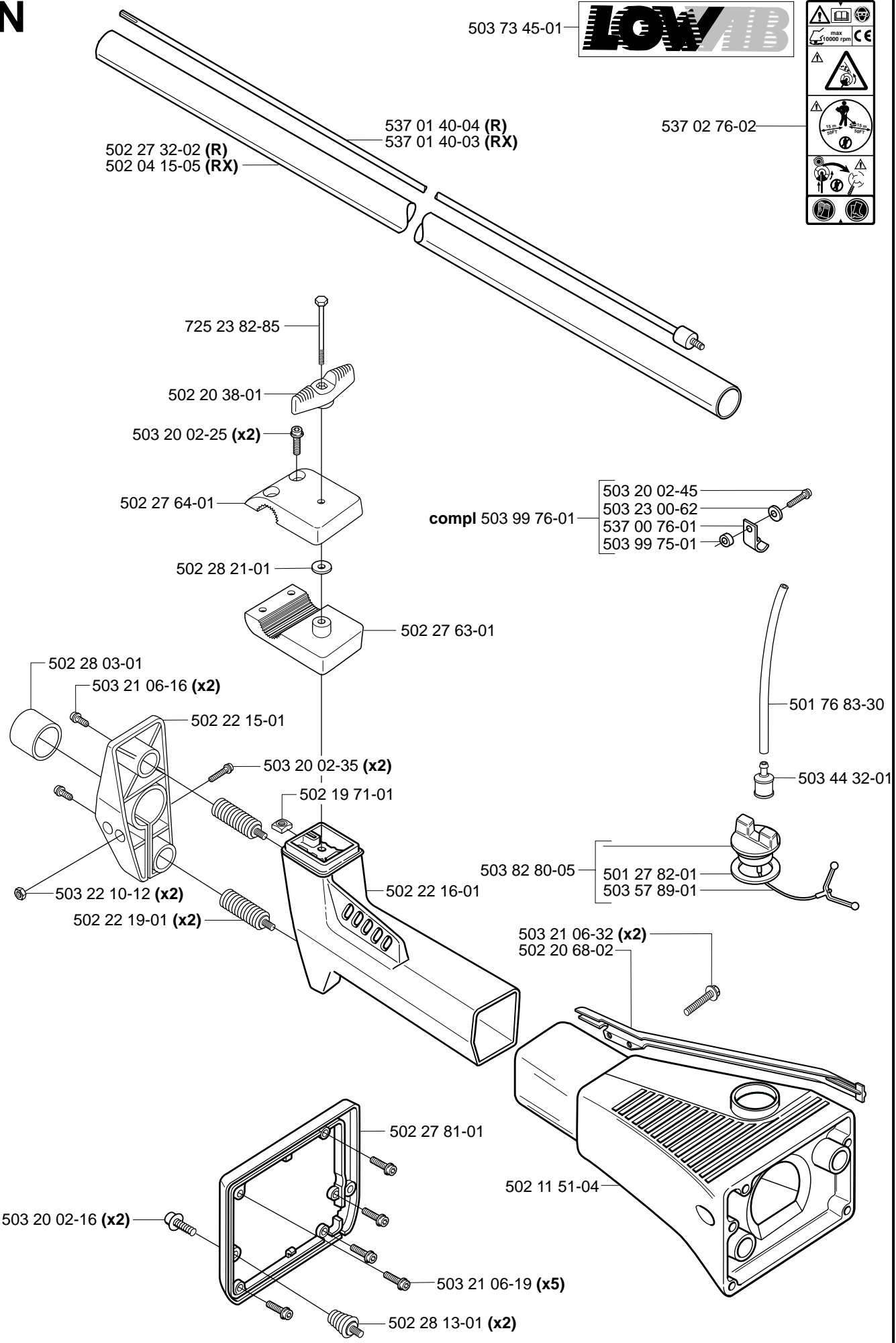


① 531 00 45-21
Set of gaskets
Dichtungssatz
Jeu de joints
Juego de juntas
Packingsatz

M *compl 502 27 11-02

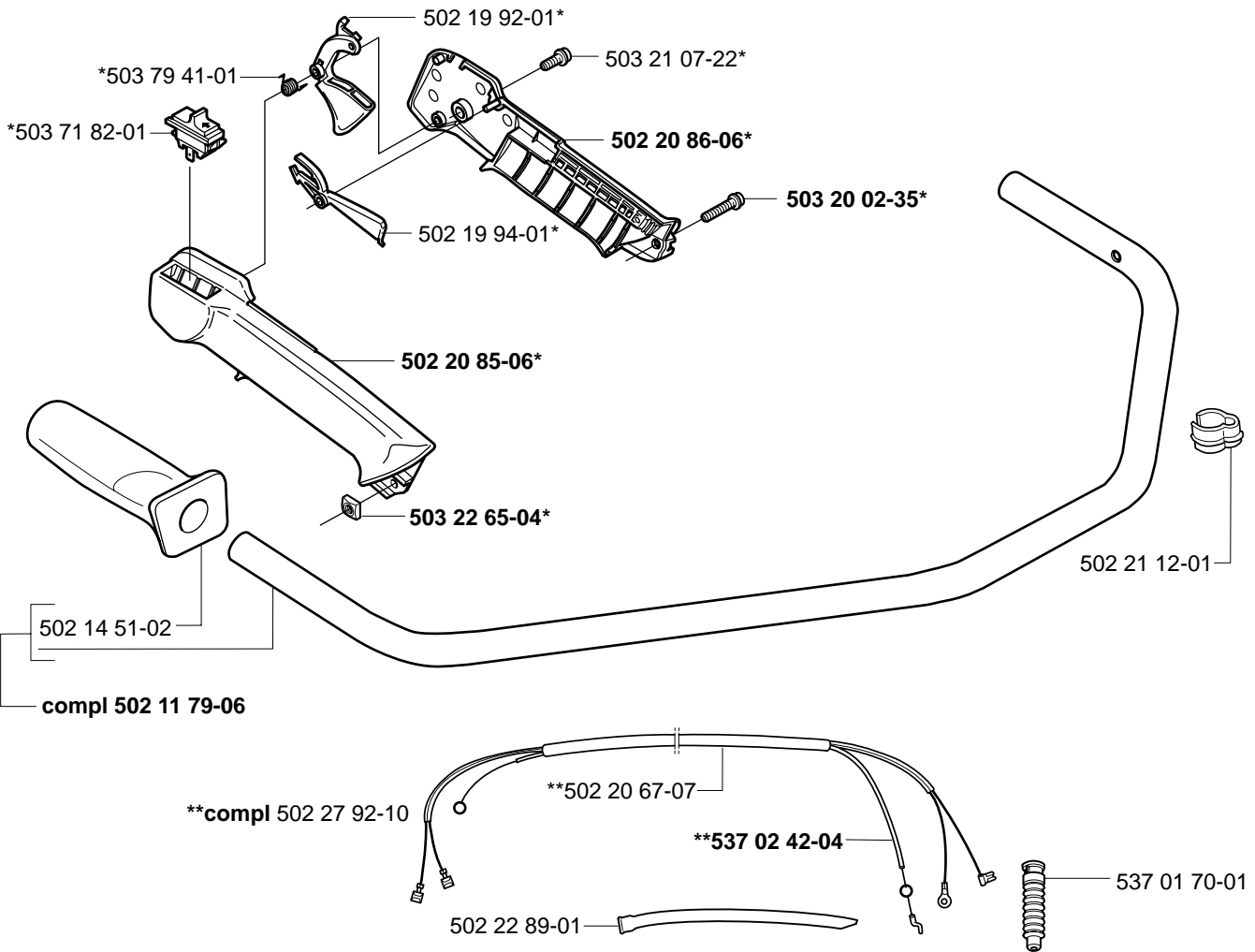


N



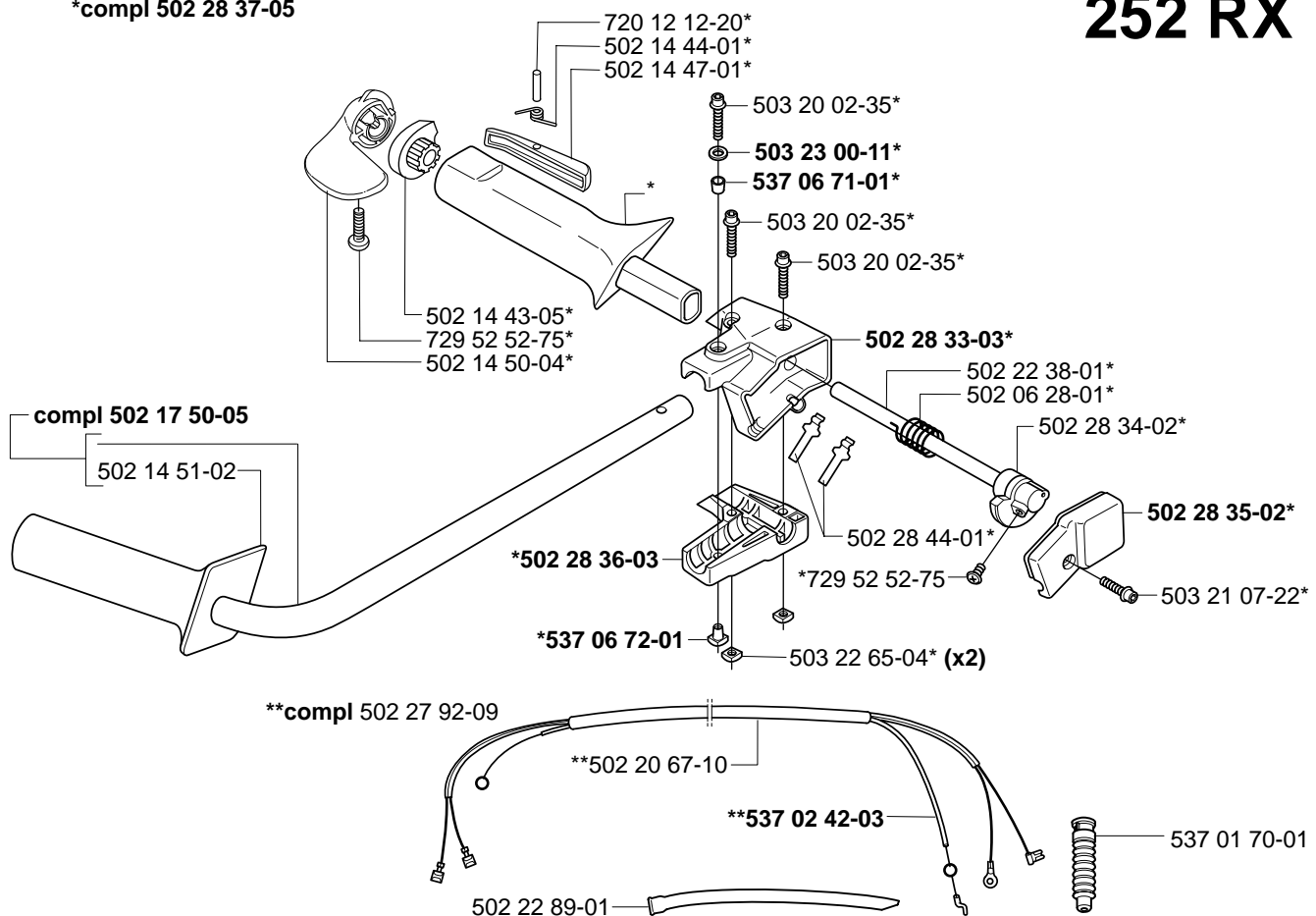
P *compl 502 28 06-14

250 R



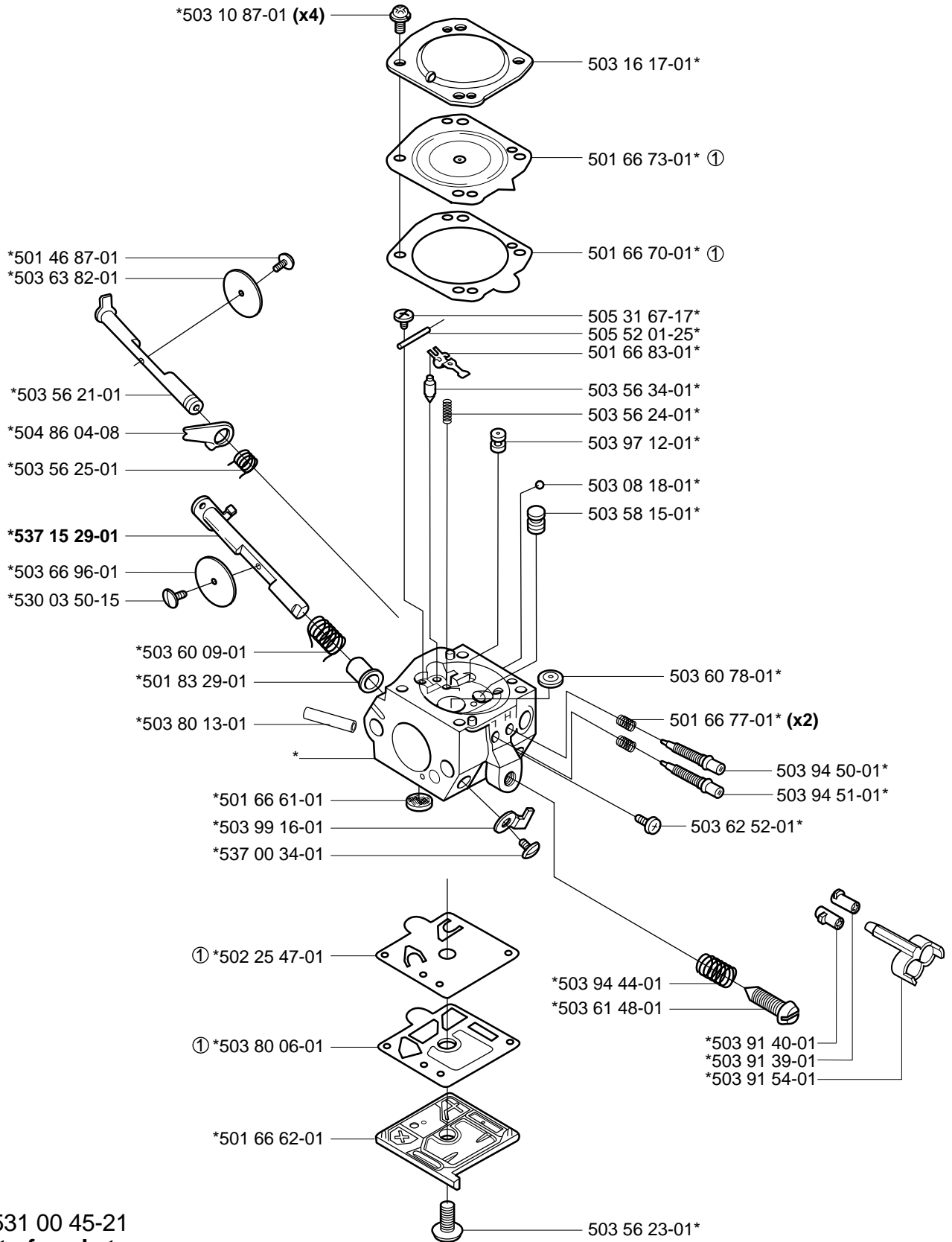
*compl 502 28 37-05

252 RX



Q *compl 503 28 18-07 Walbro HDA 187 (EPA)

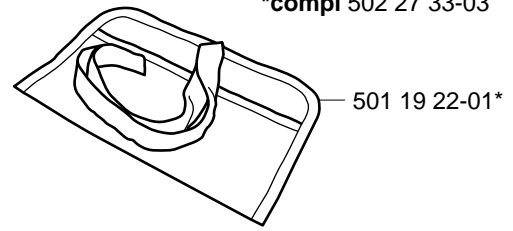
Walbro HDA-187



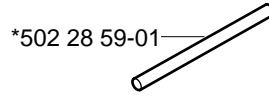
① 531 00 45-21
Set of gaskets
Dichtungssatz
Jeu de joints
Juego de juntas
Packningssats

R Accessories
 Zubehöre
 Accessoires
 Accesorios
 Tillbehör

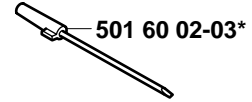
*compl 502 27 33-03



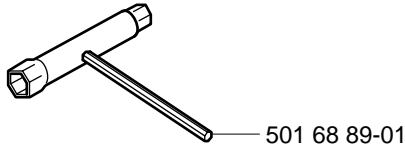
501 19 22-01*



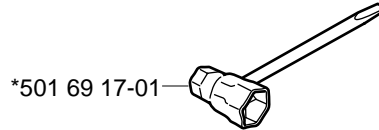
*502 28 59-01



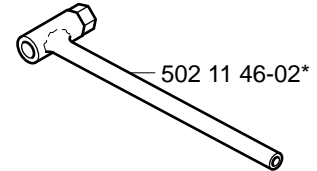
501 60 02-03*



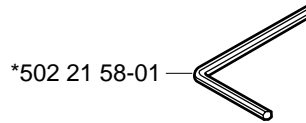
501 68 89-01



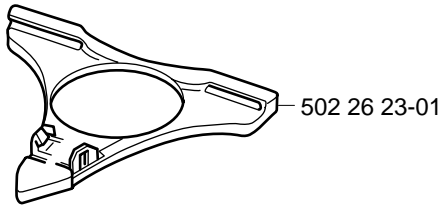
*501 69 17-01



502 11 46-02*

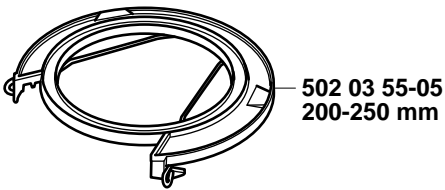


*502 21 58-01

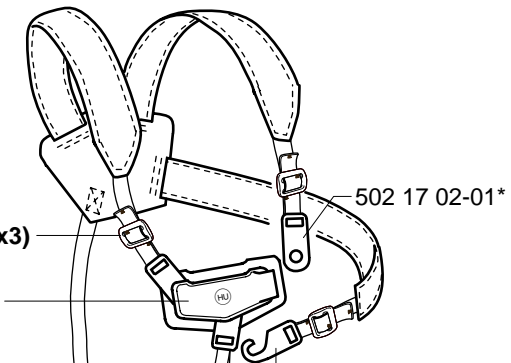


502 26 23-01

*compl 502 02 00-02
 *compl 502 02 00-03 (USA)



502 03 55-05
 200-250 mm

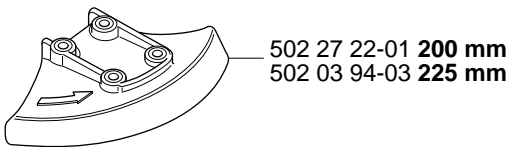


502 17 02-01*

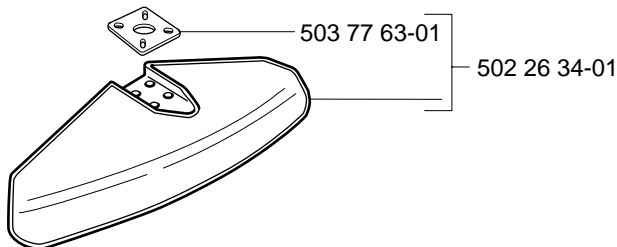
*537 11 35-01 (x3)

*502 02 01-01

502 02 06-01*

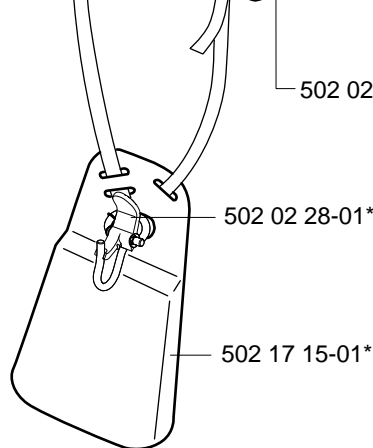


502 27 22-01 200 mm
 502 03 94-03 225 mm



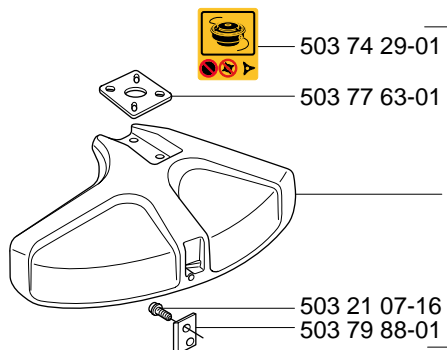
503 77 63-01

502 26 34-01



502 02 28-01*

502 17 15-01*



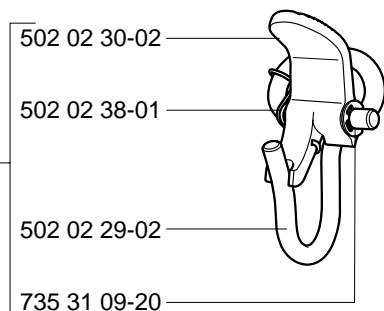
503 74 29-01

503 77 63-01

503 21 07-16
 503 79 88-01

compl 503 91 60-01

**compl 502 02 28-01



502 02 30-02

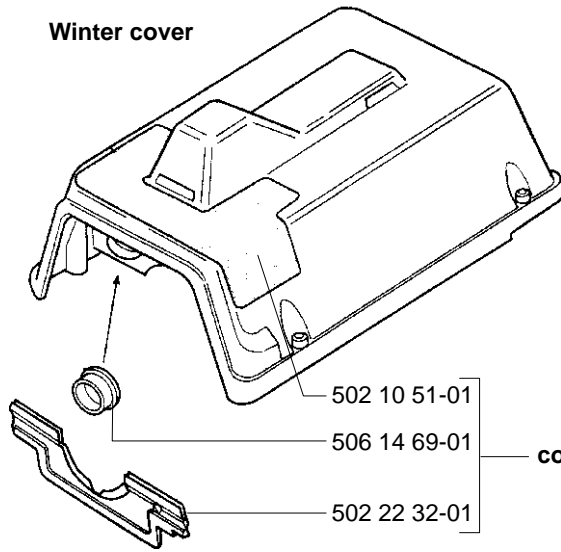
502 02 38-01

502 02 29-02

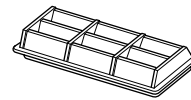
735 31 09-20

S Delivery as spare part only
Nur als Ersatzteil lieferbar
Livvable seulement comme pièce de rechange
Solo como repuesto
Levereras endast som reservdel

Winter cover



compl 502 22 91-01



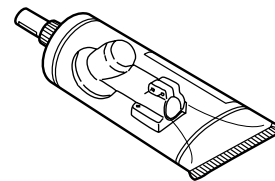
502 17 25-01 (Standard)
502 17 25-02 (Non Woven)

Olja Luftfilter
Oil Airfilter
Öl Luftfilter
Aceite Filtro Air
Huile Filtera aire

1,0 lit.



531 00 60-76



503 97 64-01

For Husqvarna Parts Call 606-678-9623 or 606-561-4983

250R, 252RX, 250R (EPA), 252RX (EPA)

PART NUMBER	SQUARE NOTE	PART NUMBER	SQUARE NOTE	PART NUMBER	SQUARE NOTE	PART NUMBER	SQUARE NOTE
501 19 22-01	R	502 17 46-01	A	502 28 06-14	P N	503 77 63-01	R
501 27 82-01	N	502 17 50-05	P N	502 28 07-01	K	503 79 41-01	P
501 45 16-01	EF	502 17 92-02	B	502 28 08-01	A	503 79 88-01	R
501 46 57-01	J	502 17 95-03	B	502 28 13-01	N	503 80 06-01	LQ
501 46 69-01	L	502 17 97-02	B	502 28 19-01	K	503 80 13-01	LQ
501 46 87-01	LQ	502 19 71-01	N	502 28 21-01	N	503 82 80-05	N
501 48 54-02	J	502 19 92-01	P	502 28 33-03	P N	503 91 39-01	Q N
501 48 92-01	J	502 19 94-01	P	502 28 34-02	P	503 91 40-01	Q N
501 53 16-01	J	502 20 38-01	N	502 28 35-02	P N	503 91 54-01	Q N
501 54 15-02	J	502 20 67-07	P	502 28 36-03	P N	503 94 27-01	L
501 60 02-03	R	502 20 67-10	P	502 28 37-05	P	503 94 44-01	Q
501 66 61-01	LQ	502 20 68-02	N	502 28 44-01	P	503 94 50-01	Q N
501 66 62-01	LQ	502 20 85-06	P N	502 28 59-01	R	503 94 51-01	Q N
501 66 67-01	L	502 20 86-06	P N	502 28 62-01	M	503 97 12-01	Q N
501 66 70-01	LQ	502 21 12-01	P	502 28 63-01	M	503 97 64-01	S
501 66 73-01	LQ	502 21 26-28	D N	503 08 18-01	Q N	503 99 16-01	Q N
501 66 77-01	LQ	502 21 26-29	D N	503 10 87-01	LQ	503 99 75-01	N
501 66 78-01	L	502 21 58-01	R	503 16 17-01	Q N	503 99 76-01	N
501 66 83-01	LQ	502 22 15-01	N	503 17 63-01	L	504 02 72-13	L
501 67 67-03	E	502 22 16-01	N	503 20 02-10	K	504 12 31-02	A
501 68 89-01	R	502 22 19-01	N	503 20 02-16	HKMN	504 86 04-08	LQ
501 69 17-01	R	502 22 32-01	DS	503 20 02-20	BC	505 27 75-16	J
501 76 83-30	N	502 22 38-01	P	503 20 02-25	N	505 30 51-25	K
501 83 29-01	Q N	502 22 46-05	D N	503 20 02-30	M	505 31 67-17	LQ
501 86 21-02	E	502 22 54-01	B	503 20 02-35	NP N	505 52 01-25	LQ
501 86 25-02	A	502 22 55-01	B	503 20 02-45	N	506 14 69-01	S
502 02 00-02	R	502 22 59-01	A	503 20 03-16	A	530 03 50-15	LQ
502 02 00-03	R	502 22 71-07	A N	503 20 20-06	BC	531 00 45-21	LQ
502 02 01-01	R	502 22 73-01	M	503 20 25-20	J	531 00 60-76	S N
502 02 06-01	R	502 22 77-02	E	503 20 28-22	D	537 00 34-01	Q N
502 02 28-01	R	502 22 79-01	E	503 20 29-85	H	537 00 76-01	N
502 02 29-02	R	502 22 83-01	K	503 21 06-16	N	537 01 40-03	N N
502 02 30-02	R	502 22 89-01	GP	503 21 06-19	N	537 01 40-04	N N
502 02 38-01	R	502 22 91-01	S	503 21 06-32	N	537 01 70-01	AP
502 03 10-03	M	502 22 94-01	G	503 21 07-16	R	537 02 42-03	P N
502 03 47-01	H	502 25 29-01	A	503 21 07-22	P	537 02 42-04	P N
502 03 55-05	R	502 25 45-01	L	503 21 27-10	H	537 02 76-02	N
502 03 94-03	R	502 25 46-01	L	503 22 10-12	N	537 04 02-01	D N
502 04 15-05	N	502 25 47-01	LQ	503 22 21-02	BCJ	537 04 36-01	H N
502 04 55-01	M	502 25 90-01	J	503 22 65-04	P N	537 04 82-01	C
502 05 08-74	F	502 26 01-01	G	503 23 00-05	J	537 04 83-01	C
502 05 24-04	A	502 26 05-02	G	503 23 00-11	KP N	537 05 67-01	C
502 05 42-01	J	502 26 23-01	R	503 23 00-62	N	537 06 28-01	C
502 06 28-01	P	502 26 31-01	BC	503 23 51-08	E	537 06 31-01	C
502 10 18-01	D N	502 26 34-01	R	503 23 51-11	E	537 06 71-01	P N
502 10 51-01	S	502 26 36-02	AL	503 26 02-04	G	537 06 72-01	P N
502 11 46-02	R	502 26 89-01	M	503 28 16-19	AL	537 07 09-01	C
502 11 51-04	N	502 26 95-01	M	503 28 18-07	AQ N	537 11 35-01	R N
502 11 59-02	M	502 26 98-01	G	503 28 90-10	E	537 11 64-01	A N
502 11 79-06	P N	502 27 11-02	M	503 28 90-11	E	537 15 00-01	J N
502 14 43-05	P	502 27 12-01	M	503 44 32-01	N	537 15 06-01	H N
502 14 44-01	P	502 27 20-01	K	503 49 69-01	A	537 15 07-01	H N
502 14 47-01	P	502 27 22-01	R	503 52 01-01	L	537 15 29-01	Q N
502 14 50-04	P	502 27 25-01	M	503 54 39-01	K	537 15 51-01	BC N
502 14 51-02	P N	502 27 26-01	M	503 56 21-01	LQ	720 12 12-20	P
502 15 56-01	H	502 27 28-01	M	503 56 23-01	Q N	720 13 07-10	G
502 15 57-02	H	502 27 32-02	N	503 56 24-01	LQ	725 23 82-85	N
502 17 02-01	R	502 27 33-03	R	503 56 25-01	LQ	725 52 89-55	G N
502 17 15-01	R	502 27 34-01	E	503 56 34-01	LQ	725 53 32-55	E
502 17 16-02	A	502 27 35-01	E	503 57 89-01	N	725 53 33-55	BC
502 17 17-01	A	502 27 45-02	A N	503 58 15-01	Q N	725 53 35-55	G
502 17 19-03	A	502 27 49-01	L	503 60 09-01	LQ	725 53 43-55	G
502 17 20-03	K	502 27 63-01	N	503 60 78-01	LQ	729 52 52-75	KP
502 17 21-01	K	502 27 64-01	N	503 61 48-01	LQ	735 11 46-50	G
502 17 22-03	K N	502 27 78-01	B	503 62 52-01	LQ	735 11 64-50	BCJ
502 17 25-01	S	502 27 81-01	N	503 63 82-01	Q N	735 31 09-20	R
502 17 25-02	S	502 27 92-09	P	503 66 96-01	Q N	735 31 17-00	M
502 17 28-02	K	502 27 92-10	P	503 71 82-01	P	735 31 33-10	BC
502 17 33-02	G	502 28 03-01	N	503 73 45-01	N	737 44 10-00	E
502 17 35-05	G	502 28 04-01	G N	503 74 29-01	R	738 21 01-00	M

N = New part
 Neues teil
 Nouvelle piece
 Nueva pieza
 Ny detalj

EPA = Environmental Protection Agency
 (for USA only)

For Husqvarna Parts Call 606-678-9623 or 606-561-4983

250R, 252RX, 250R (EPA), 252RX (EPA)

PART NUMBER	SQUARE NOTE	PART NUMBER	SQUARE NOTE	PART NUMBER	SQUARE NOTE	PART NUMBER	SQUARE NOTE
738 21 02-00	M						
738 22 02-19	BC						
738 22 02-25	F						
740 42 22-00	G						
740 44 08-00	M						
740 51 13-01	M						

EPA = Environmental Protection Agency
(for USA only)