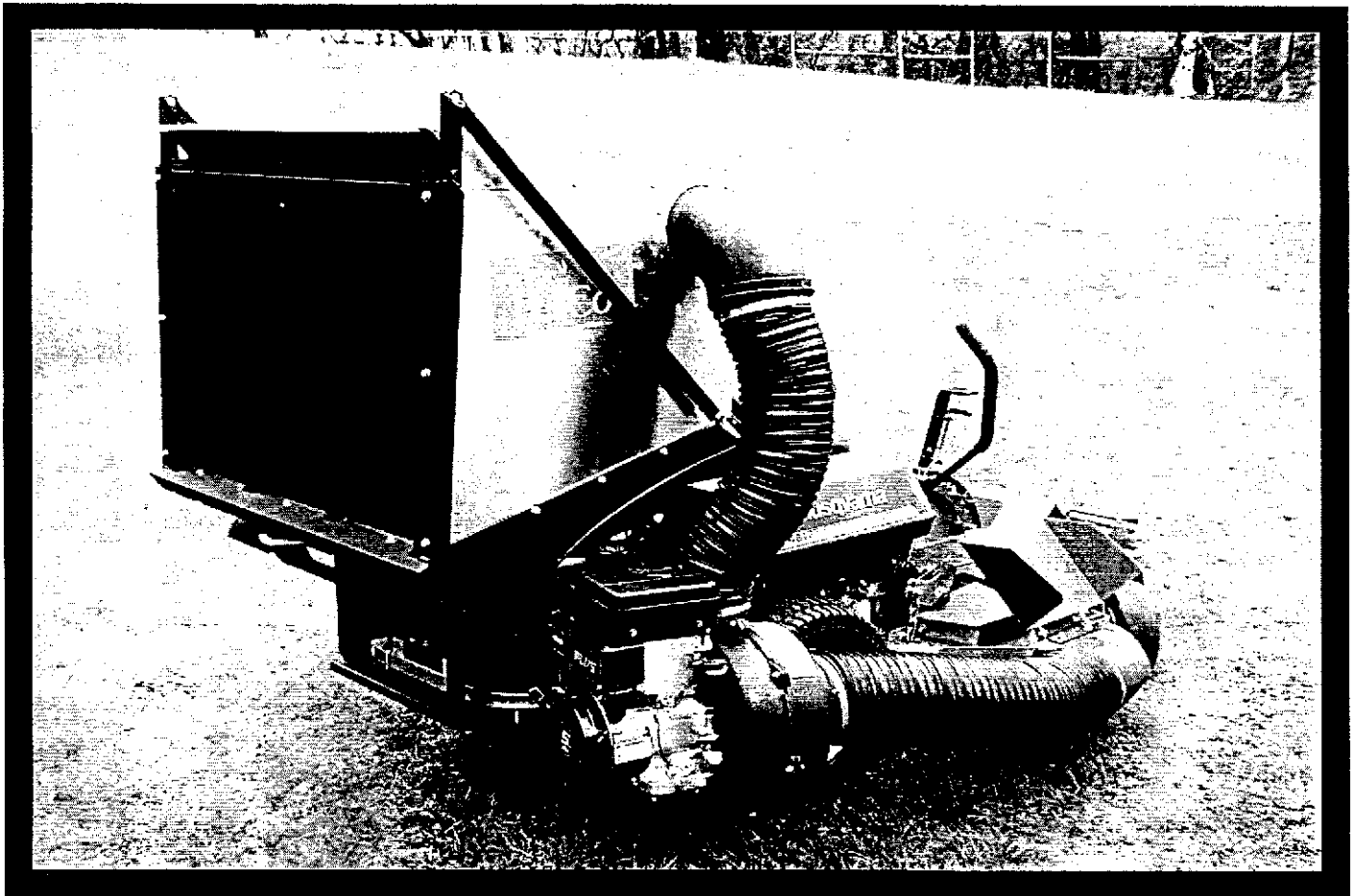


For Husqvarna Parts Call 606-678-9623 or 606-561-4983

MODEL 466212-01CP

PECO

*PECO OWNERS MANUAL
FOR A HUSQVARNA ZTH COMPACT UNIT*



CONGRATULATIONS AND THANK YOU FOR BUYING THIS PECO LAWN VACUUM.

Your new PECO Vac has been engineered and manufactured to PECO's high standards for safety, quality, dependability, and ease of operations.

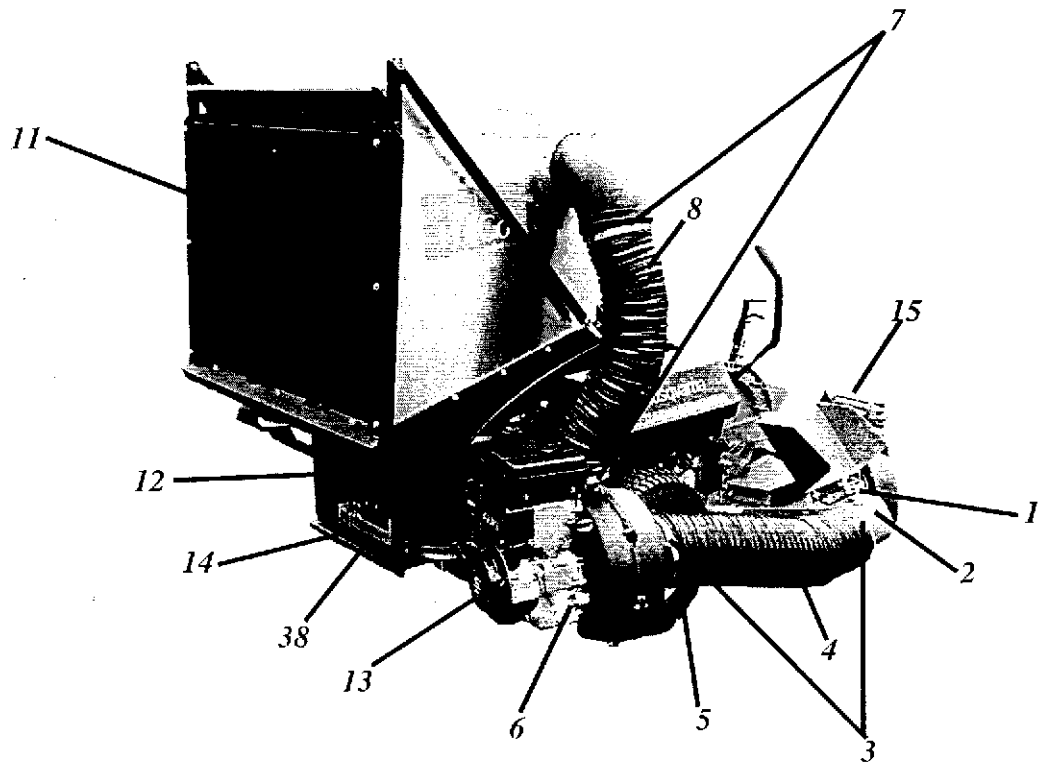
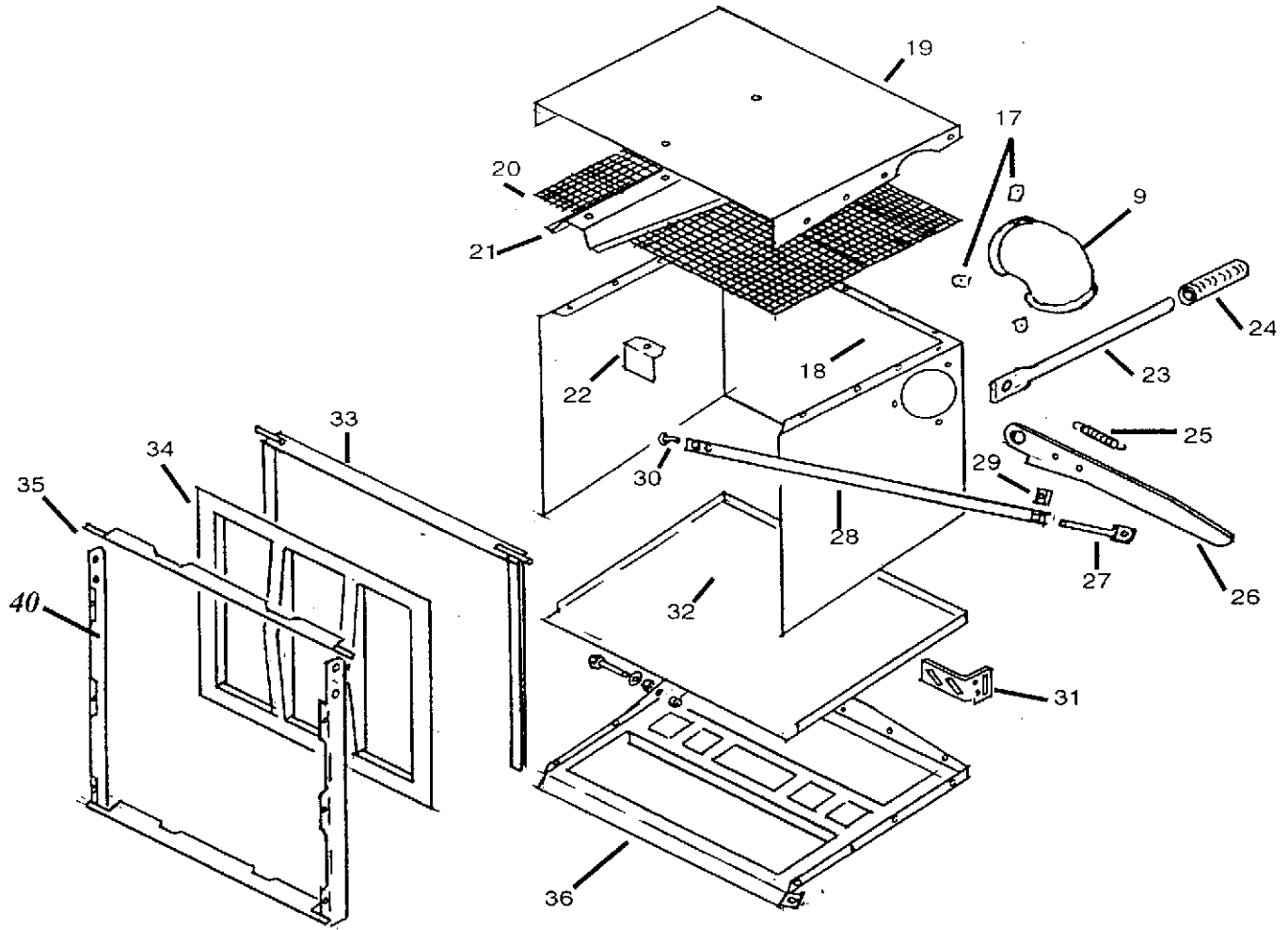
SAVE THIS MANUAL FOR FUTURE REFERENCE

MODEL 466212-01CP HUSQVARNA ZTH COMPACT

PECO

www.mymowerparts.com

PARTS DIAGRAM



MODEL 466212-01CP HUSQVARNA ZTH COMPACT

PECO 7

PARTS LIST



REF. NO.	PART NO.	DESCRIPTION	QTY.
1	B2584	BOOT PLATE	1
2	E2406	BOOT	1
3	J6006	7"-8" HOSE CLAMPS	2
4	*****	7" x 35" LOWER HOSE	1
5	E6004	7" BLOWER CONE	1
6	*****	ENGINE/BLOWER/BLADE ASSEMBLY	1
	E4052A	BLOWER HOUSING	
	D1016	6HP KOHLER ENGINE	
	A0914	4 BLADE IMPELLER W/ S4302 BUSHING W/ 1" SHAFT	
	D4002	5HP BRIGGS & STRATTON ENGINE	
	A0645	4 BLADE IMPELLER W/ S4311 BUSHING W/ 3/4" SHAFT	
7	J6011	5"-6" HOSE CLAMPS	2
8	*****	6" x 32" UPPER HOSE	1
9	V1054	INLET	1
10	HB0001	HARDWARE BAG	1
11	A0794	12 CUBIC FOOT BOX ASSEMBLY	1
12	A1031	MAIN FRAME ASSEMBLY	1
13	A1029	ENGINE MOUNT ASSEMBLY	1
14	B3337	OUTER ENGINE MOUNT	1
15	A1014	WEIGHT ASSEMBLY	1
17	B1668	INLET CLAMP	3
18	C0023	ALUMINUM BOX BACK & SIDES	1
19	C0025	ALUMINUM BOX TOP	1
20	B8113	SCREEN	1
21	C0029	SCREEN SUPPORT	1
22	C1184	FILL GAUGE	1
23	B3379	DUMP HANDLE	1
24	J0522	HANDLE GRIP	1
25	J0176	LATCH SPRING	1
26	B2213	LATCH ROD	1
27	A0973	ADJUSTING SCREW ASSEMBLY	2
28	B2526	LINKAGE ROD	2
29	K1422	ADJUSTING NUT	2
30	K1418	LINKAGE PIN	2
31	B3388	LATCH BRACKET	1
32	C0024	ALUMINUM BOX BOTTOM	1
33	A0938	BOX / DOOR FRAME ASSEMBLY	1
34	V1131	PLASTIC DOOR	1
35	B3688	UPPER DOOR MEMBER	1
36	B3387	BOX SUPPORT / HINGE ASSEMBLY	1
37	B2585	WEIGHT BRACKETS	2
38	B2590	BOTTOM MOUNT PLATE	1
39	B3392	ENGINE MOUNT BRACKETS	2
40	A0738	DOOR FRAME ASSEMBLY	1