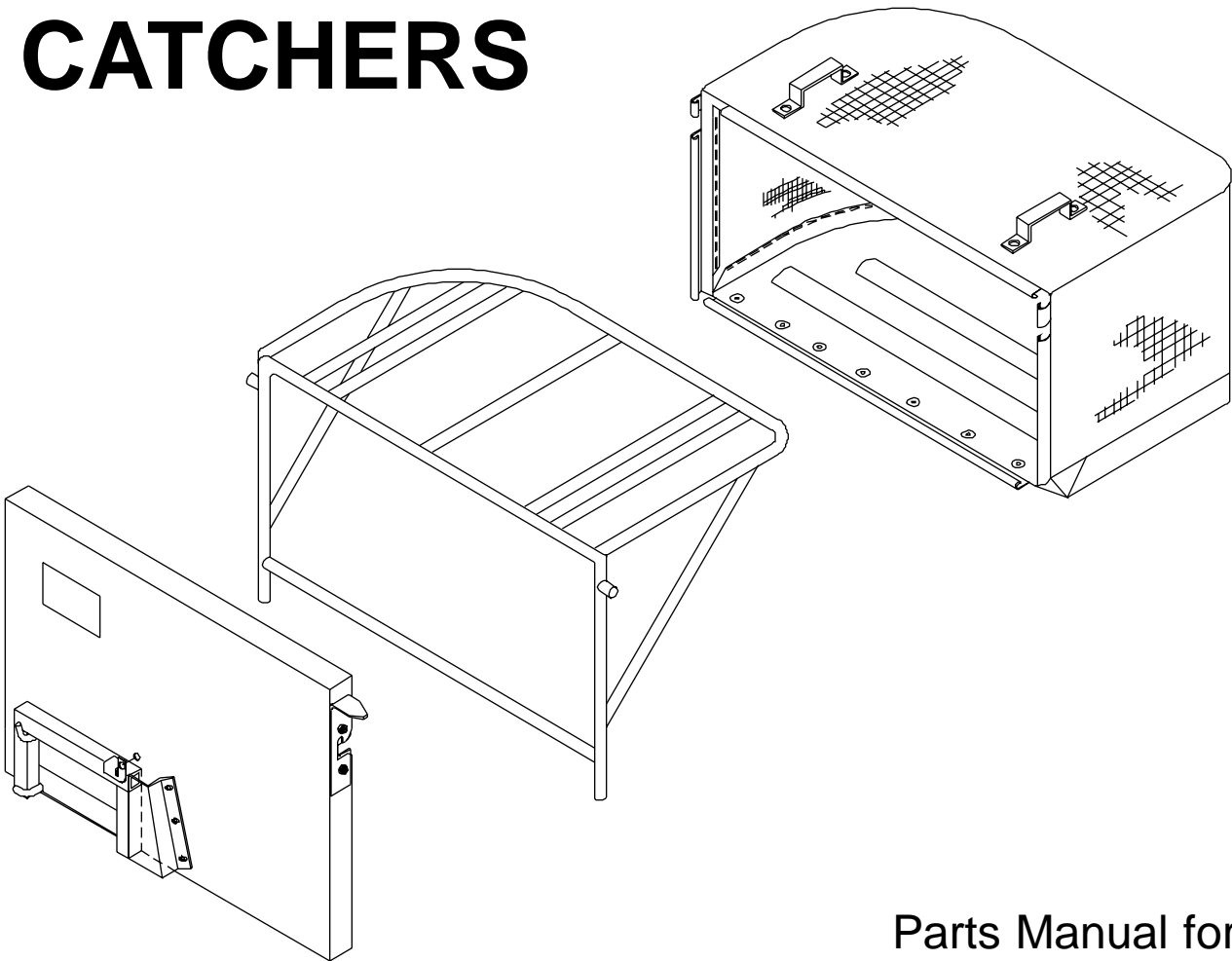




## GRASS & LEAF CATCHERS



Parts Manual for:  
MODEL : 539105212 3 Bu.  
MODEL : 539105213 5 Bu.

**Husqvarna** policy is to improve its products whenever it is possible and practical to do so. In an effort to keep pace with changes in technology, Husqvarna reserves the right to make changes or improvements at any time without incurring any obligation to make such changes on products previously manufactured.

## INTRODUCTION

This manual covers the assembly, installation and SAFE use of your HUSQVARNA GRASS CATCHER.

When using your HUSQVARNA GRASS CATCHER always follow the safety and use instructions below as well as those covered in your Commercial Mower Operator's Manual.

- A. DO NOT REMOVE DEFLECTOR CHUTE.
- B. DO NOT OPERATE MOWER WITHOUT CATCHER HOPPER IN PLACE.
- C. DISENGAGE BLADES BEFORE OPENING OR REMOVING HOPPER.
- D. INSPECT CATCHER HOPPER FOR TEARS AND HOLES BEFORE EACH USE. REPAIR OR REPLACE AS REQUIRED.

## BACKPLATE ASSEMBLY (All Models)

Install latches on both sides of backplate using two (2) each #10-24 x 5/8 pan head screws, 1/4 diameter spring washer and #10-24 Nyloc nut for each latch. DO NOT completely tighten nuts. Latches must slide up and down easily for installation/removal of catcher hopper.

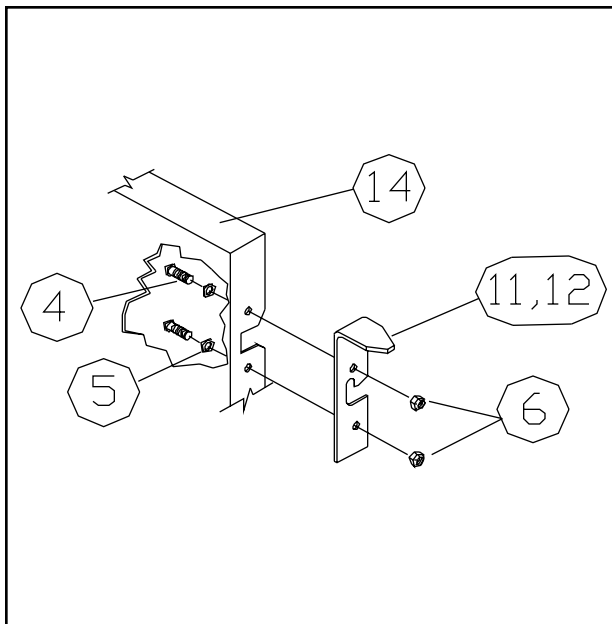


FIGURE 1

## BACKPLATE INSTALLATION (All Models)

Swing deflector chute onto top of belt shield. DO NOT REMOVE DEFLECTOR CHUTE.

Tip rear of backplate approximately 45 degrees and slide pin into slot in catcher mounting bar on top of mower deck, lower rear of backplate to secure to mower deck, depress locking pin to clear catcher mounting bar and release allowing locking pin to engage in hole in catcher mounting bar.

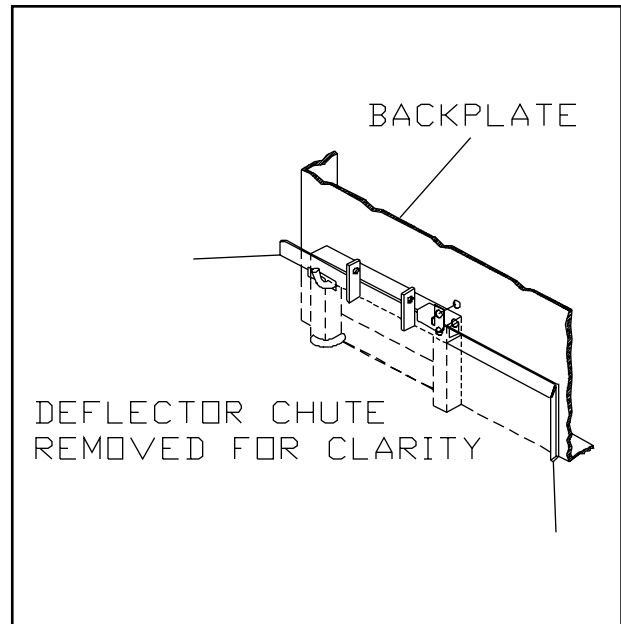


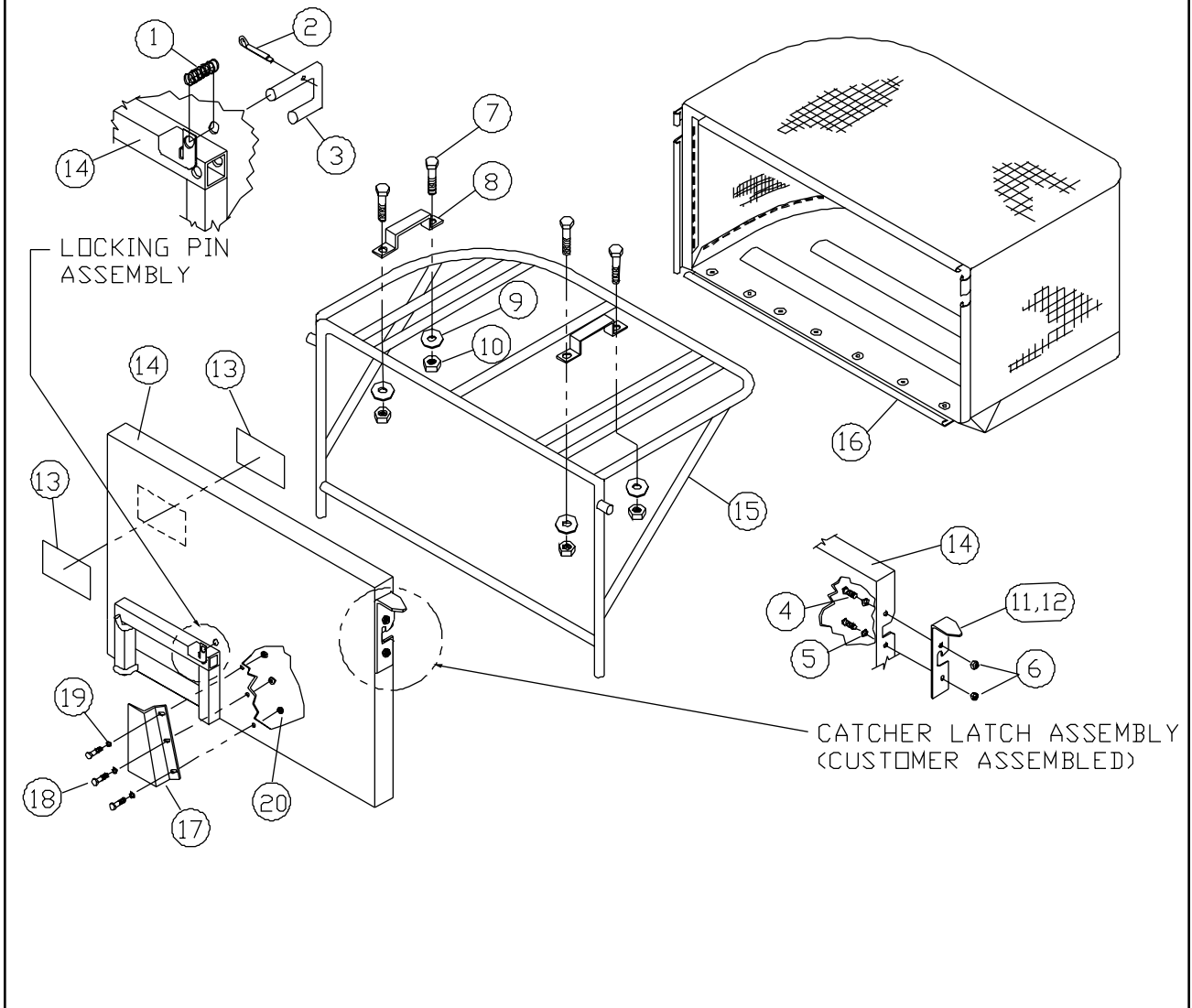
FIGURE 2

## TECHNICAL ASSISTANCE

If you have any questions pertaining to your machine contact your dealer. To locate the nearest dealer please call: 1-800-HUSKY-62.

For technical assistance please write: Husqvarna, 7349 Statesville Road, Charlotte, NC, 28269 or call: 1-800-HUSKY-MD.

MODEL 539105212  
3 BUSHEL GRASS CATCHER

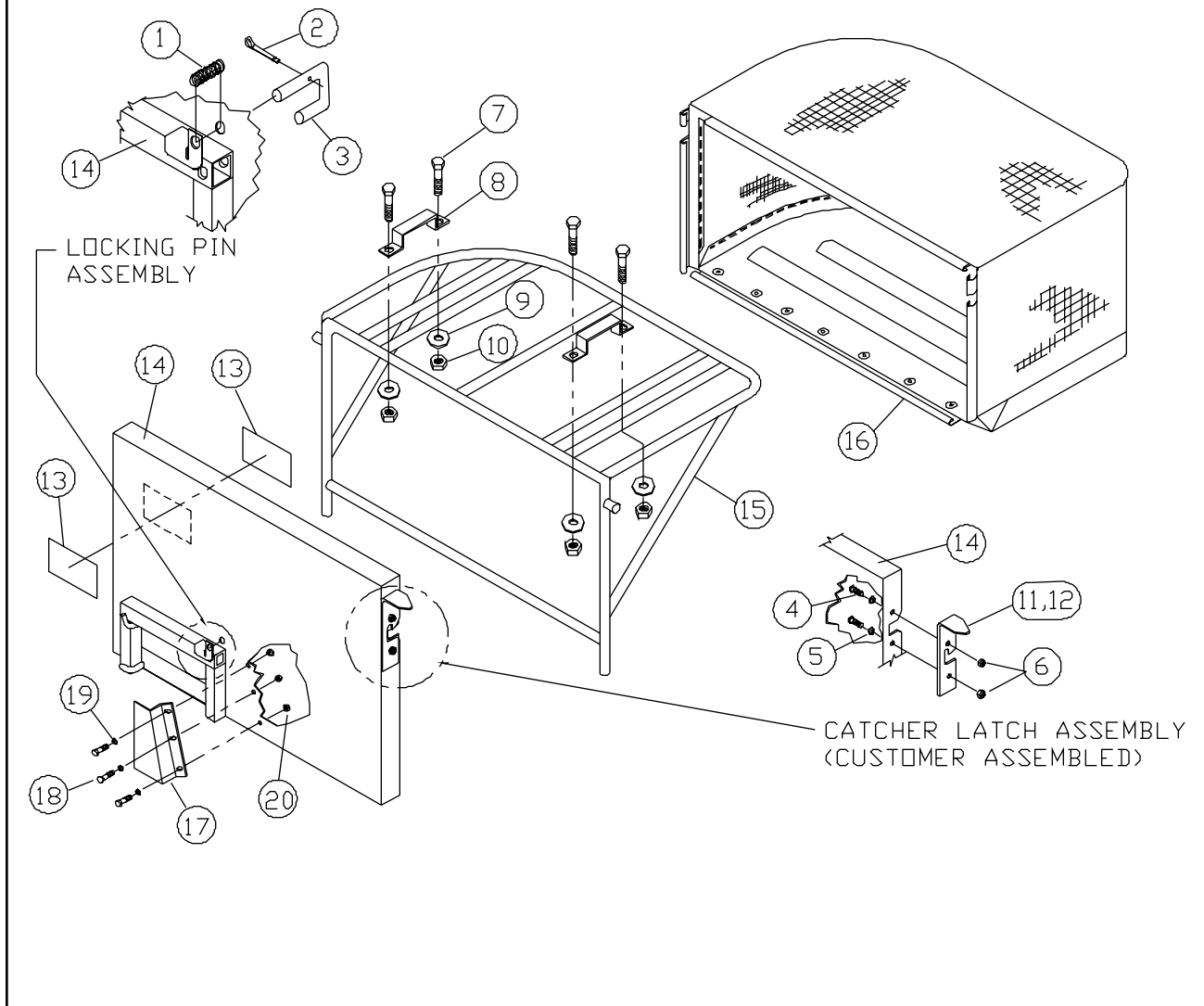


PART		
ITEM NO.	QTY.	DESCRIPTION
1	.....539977856	.....1..... Compression Spring
2	.....539100306	.....1..... Locking Pin
3	.....539990555	.....1..... 3/32 x 1/2 Cotter Pin
4	.....539976952	.....4..... 10-24 x 5/8 Panhead Screw
5	.....539976983	.....4..... 1/4 Dia. Spring Washer
6	.....539976977	.....4..... 10-24 Nyloc Nut
7	.....539990548	.....4..... 1/4-20 x 1 HH Capscrew
8	.....539976585	.....2..... Hopper Handle
9	.....539990598	.....4..... 1/4 Flat Washer
10	.....539976978	.....4..... 1/4-20 Nyloc Nut

PART		
ITEM NO.	QTY.	DESCRIPTION
11	.....539976581	.....1..... Catcher Latch, Right
12	.....539976582	.....1..... Catcher Latch, Left
13	.....539976583	.....2..... Warning Decal
14	.....539100309	.....1..... Backplate
15	.....539100334	.....1..... Hopper Frame
16	.....539104545	.....1..... Fabric Bag
17	.....539102193	.....1..... Adapter Shield (Item 17 not used on 48,42,36,32" decks.)
18	.....539976934	.....3..... 5/16C X 3/4 HCS
19	.....539990184	.....3..... Washer Flat 5/16
20	.....539990692	.....3..... 5/16C Nut
21	.....539105309	.....1..... Adaptor Plate(not shown) (Item 21 used on 61" decks with rounded rear corners only.)

Order replacement parts by part no. and description.

MODEL 539105213  
5 BUSHEL LEAF CATCHER



PART			
ITEM NO.	QTY.	DESCRIPTION	
1	1	539977856	Compression Spring
2	1	539100306	Locking Pin
3	1	539990555	3/32 x 1/2 Cotter Pin
4	4	539976952	10-24 x 5/8 Panhead Screw
5	4	539976983	1/4 Dia. Spring Washer
6	4	539976977	10-24 Nyloc Nut
7	4	539990548	1/4-20 x 1 HH Capscrew
8	2	539976585	Hopper Handle
9	4	539990598	1/4 Flat Washer
10	4	539976978	1/4-20 Nyloc Nut

PART			
ITEM NO.	QTY.	DESCRIPTION	
11	1	539978581	Catcher Latch, Right
12	1	539976582	Catcher Latch, Left
13	1	539976583	Warning Decal
14	1	539100310	Backplate
15	1	539100335	Hopper Frame
16	1	539104544	Fabric Bag
17	3	539102193	Adapter Shield
(Item 17 not used on 48,42,36,32" decks.)			
18	3	539976934	5/16C X 3/4 HCS
19	3	539990184	Washer Flat 5/16
20	1	539990692	Nut 5/16C
21	1	539105309	Adaptor Plate(not shown)
(Item 21 used on 61" decks with rounded rear corners only.)			

Order replacement parts by part no. and description.

For Husqvarna Parts Call 606-678-9623 or 606-561-4983

