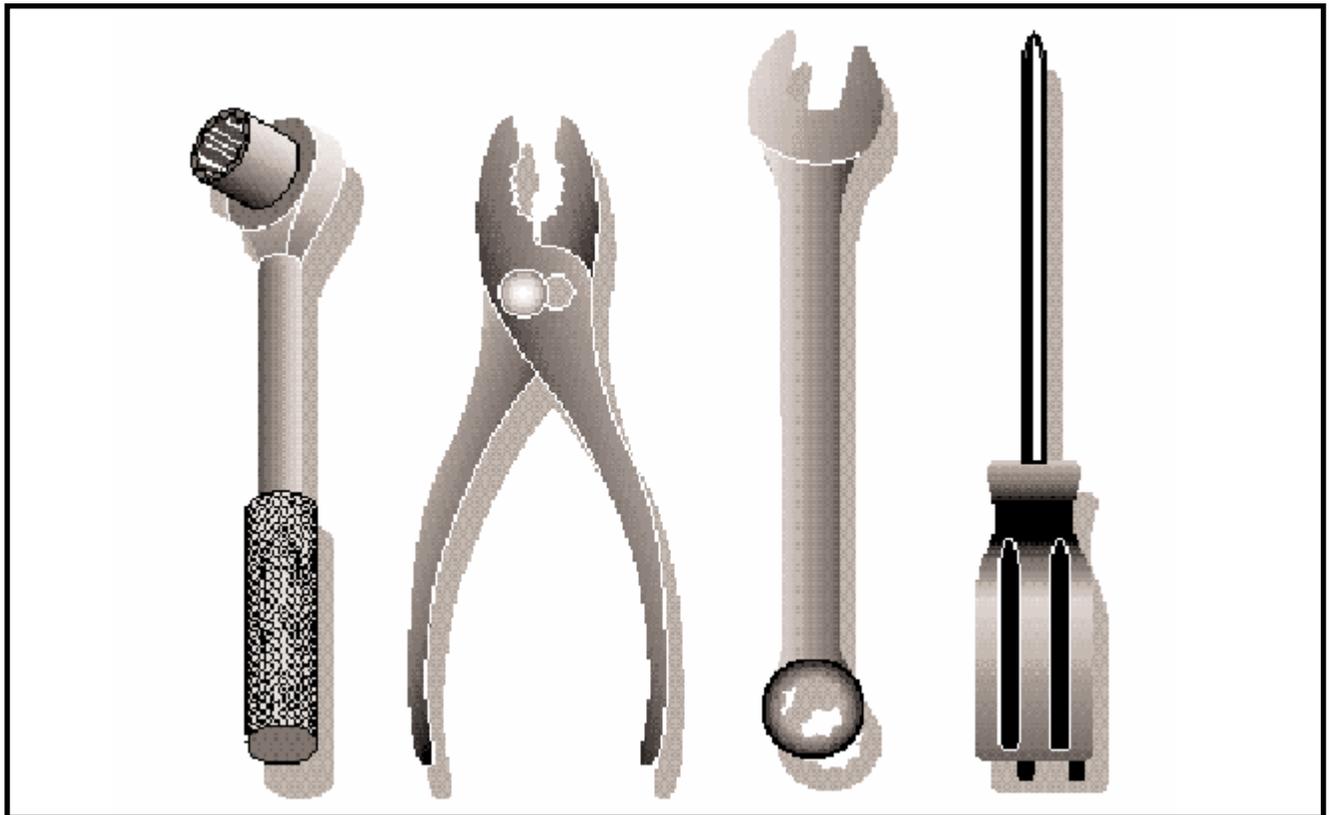




Illustrated Parts List	2000-11
	I0002014

# YTH 2046 A

954567079

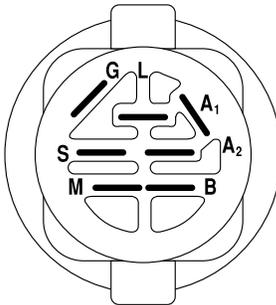
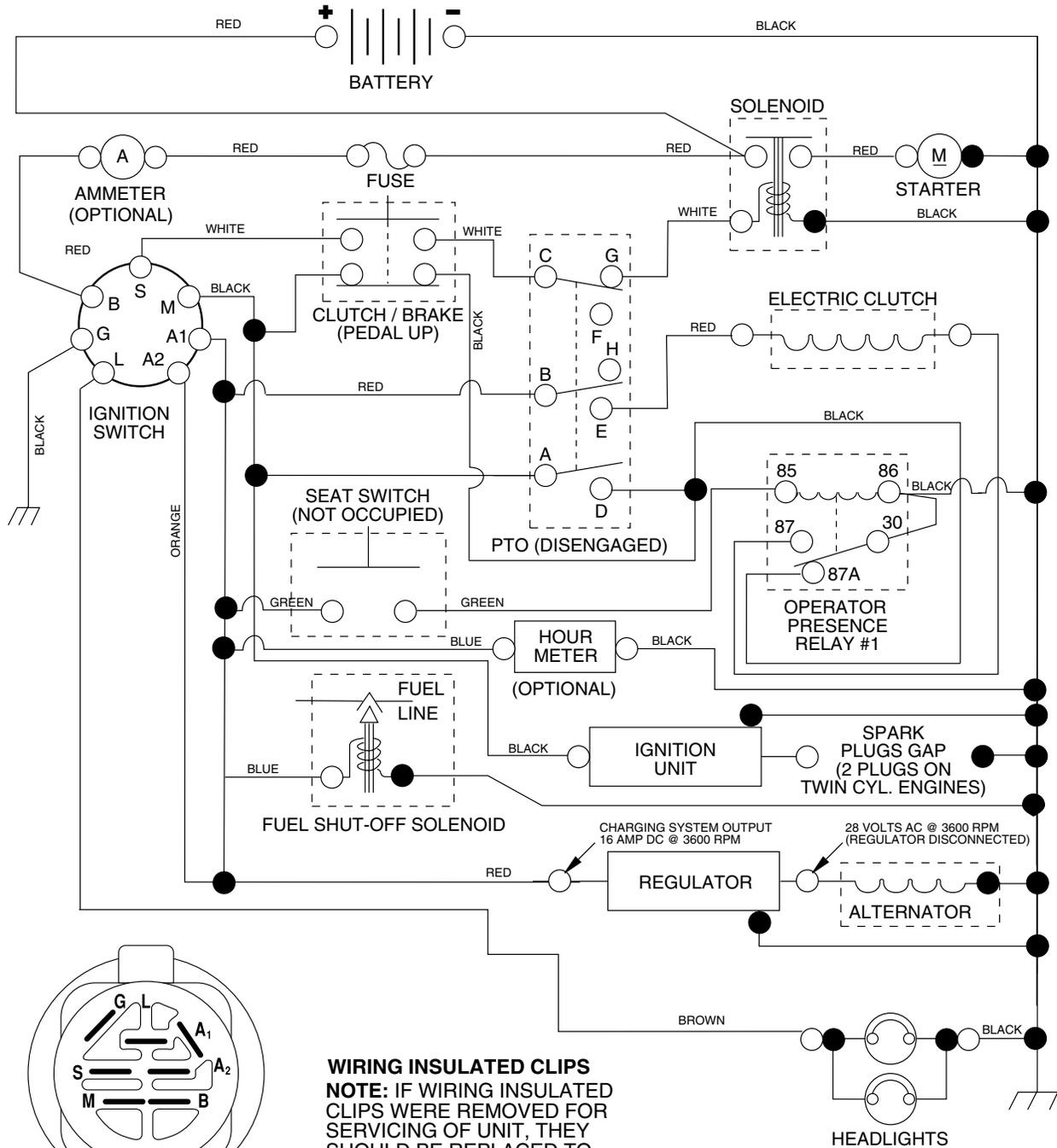


Repair Parts Manual

Ride Mower

# REPAIR PARTS

TRACTOR - MODEL NO. YTH2046 (YTH2046A), PRODUCT NO. 954 56 70-79  
SCHEMATIC



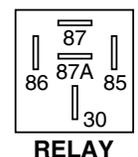
**IGNITION SWITCH**

POSITION	CIRCUIT	"MAKE"
OFF	M+G+A1	NONE
RUN/LIGHT	B+A1	A2+L
RUN	B+A1	NONE
START	B + S + A1	NONE

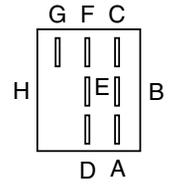
**WIRING INSULATED CLIPS**  
NOTE: IF WIRING INSULATED CLIPS WERE REMOVED FOR SERVICING OF UNIT, THEY SHOULD BE REPLACED TO PROPERLY SECURE YOUR WIRING.

**PTO SWITCH**

POSITION	CIRCUIT
OFF	C + G, B + H
ON	C + F, B + E, A + D

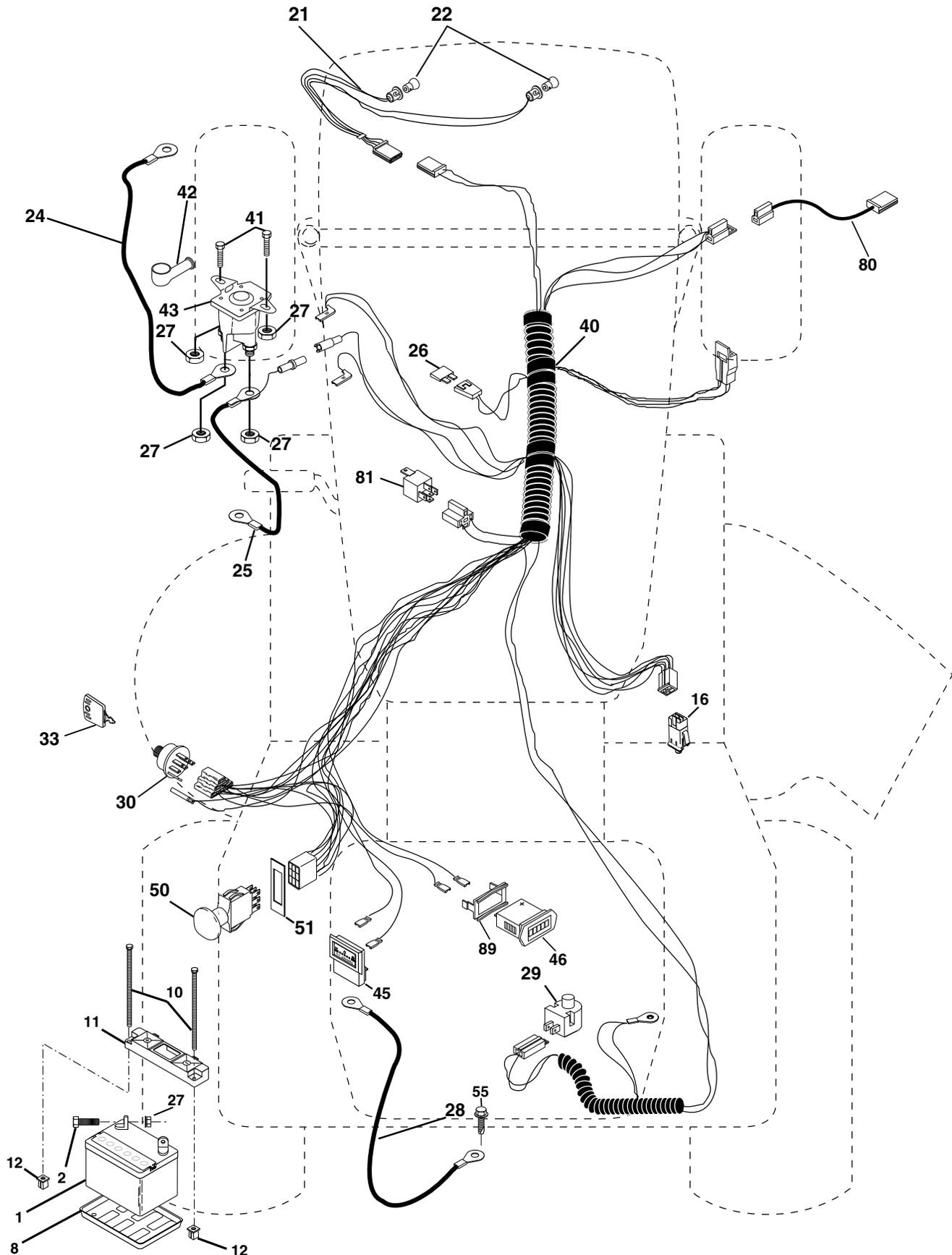


**RELAY**



# REPAIR PARTS

TRACTOR - MODEL NO. YTH2046 (YTH2046A), PRODUCT NO. 954 56 70-79  
ELECTRICAL



**REPAIR PARTS**

**TRACTOR - MODEL NO. YTH2046 (YTH2046A), PRODUCT NO. 954 56 70-79**

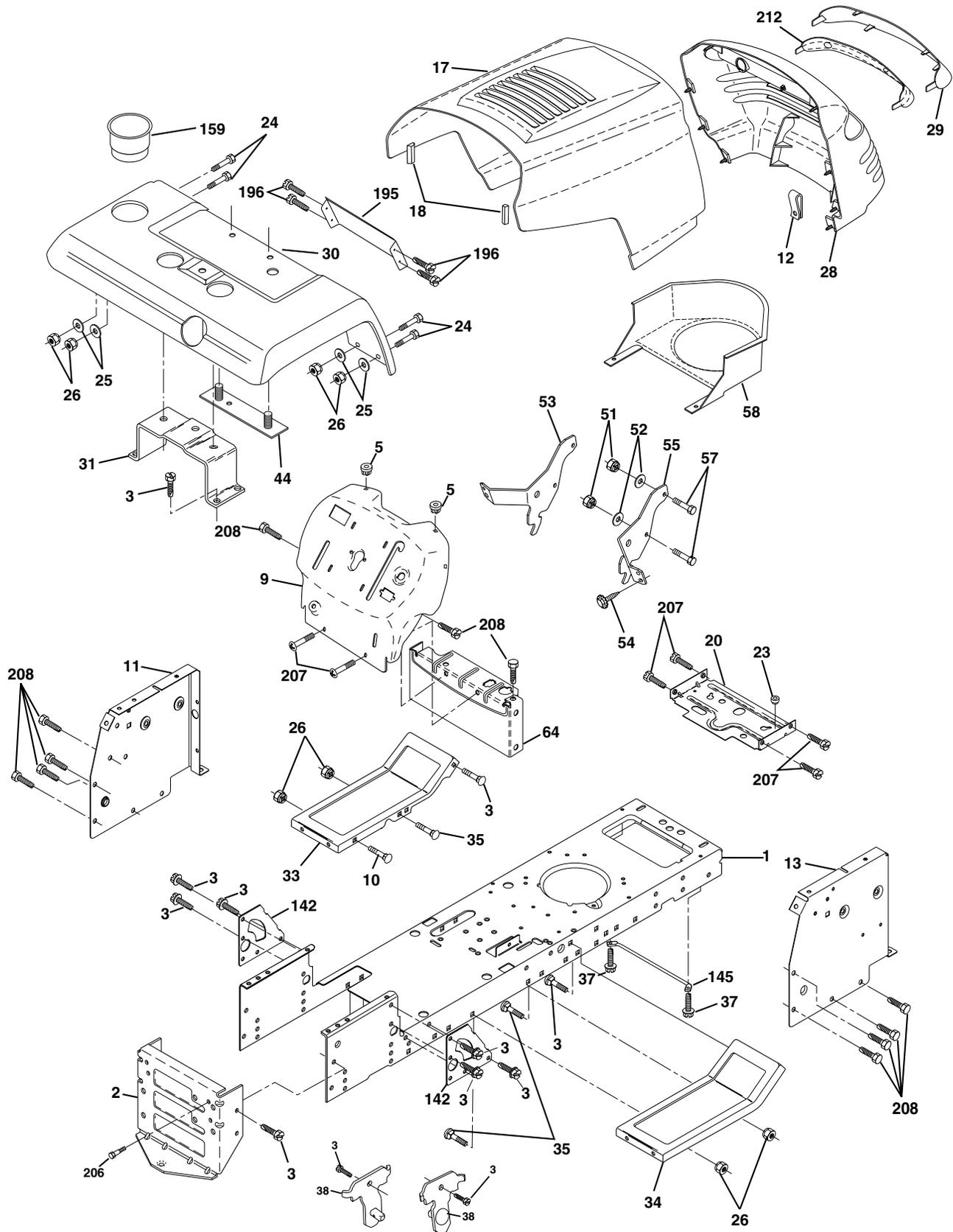
**ELECTRICAL**

KEY NO.	PART NO.	DESCRIPTION
1	532144927	Battery 12 Volt 35 AMP
2	874760412	Bolt Hex Hd 1/4-20unc X 3/4
8	532124886	Tray Battery
10	532145211	Bolt Brt Frt 1/4-20 x 75 Ainc
11	532150109	Holddown Battery Front Mount
12	532145769	Nut Push Nylon 1/4" Battery Frt
16	532153664	Switch Interlock Push-In
21	532166181	Harness Asm Light W/4152j
22	532004152	Bulb Light #1 156
24	532124780	Cable Battery 6 Ga 11" red
25	532146148	Cable Battery 6 Ga 22" red w/16 wire
26	532175158	Fuse
27	873510400	Nut Keps Hex 1/4-20 Unc
28	532145491	Cable Ground 6 Ga 21" black
29	532160784	Switch Plunger Nc Gray
30	532175566	Switch Ign
33	532140401	Key Ign Molded Generic
40	532170221	Harness Ign.
41	871110408	Bolt Blk Fin Hex 1/4 - 20 x 1/2
42	532131563	Cover Terminal Red
43	532175141	Solenoid
45	532122822	Ammeter Rectangular 15 Amp
46	532169635	Meter Hour
50	532174651	Switch PTO
51	532140405	Ring Retainer TTO
55	817490508	Screw Thdrol 5/16-18 x 1-1/2 Tyt
80	532146685	Harness Clutch Evx
81	532109748	Relay Asm.
89	532169639	Bracket Snap-In Hourmeter

**NOTE:** All component dimensions given in U.S. inches.  
1 inch = 25.4 mm.

# REPAIR PARTS

TRACTOR - MODEL NO. YTH2046 (YTH2046A), PRODUCT NO. 954 56 70-79  
CHASSIS AND ENCLOSURES



For Husqvarna Parts Call 606-678-9623 or 606-561-4983  
**REPAIR PARTS**  
**TRACTOR - MODEL NO. YTH2046 (YTH2046A), PRODUCT NO. 954 56 70-79**  
**CHASSIS AND ENCLOSURES**

KEY NO.	PART NO.	DESCRIPTION
1	532169830	Chassis Stamping
2	532169061	Drawbar
3	817060612	Screw 3/8-16x3/4
5	532155272	Bumper
9	532171682	Dashboard
10	872140608	Bolt Rdhd Sqnk 3/8-16 Unc x 1
11	532155927	Panel Dash Lh
12	532145660	Clip Tinnerman Grille
13	532172106	Panel Dash Rh
17	532162237	Hood
18	532126938	Bumper
20	532156437	Plate Mtg Battery/Fuel Tank
23	532124028	Bushing
24	874780616	Bolt 3/8-16 Unc x 1 Gr. 5
25	819131312	Washer 13/32 x 13/16 x 12 Ga.
26	873800600	Nut Lock w/Insert 3/8-16 UNC
28	532170475	Grille Lens Asm
29	532176645	Lens
30	532169426	Fender
31	532175315	Bracket
33	532147203	Foot Rest, L.H.
34	532147202	Foot Rest, R.H.
35	872110606	Bolt Rdhd Sht Sqnk 3/8-16 x 3/4
37	817490508	Screw Thdrol 5/16-18 x 1/2
38	532169834	Bracket Asm Pivot Mower Rear
44	532140675	Strap Asm. Fender
51	873800400	Nut Lock w/Insert 1/4-20
52	819091416	Washer 9/32 x 7/8 x 16 Ga.
53	532144697	Bracket Grille Lh
54	532161464	Screw Hex Wshd 8-18 x 7/8
55	532144696	Bracket Grille Rh
57	874780412	Bolt Fin Hex 1/4-20 Unc x 3/4
58	532174930	Duct Air
64	532154798	Dash Lower Stlt
142	532165867	Plate Reinforcement Stlt
145	532156524	Rod Pivot Chassis Hood
159	532166625	Cupholder YTG Grey
195	532177070	Panel Pnt Fender YT/GT
196	817580408	Screw Tap Tite 1/4-20 x 1/2
206	532170165	Bolt Shoulder 5/16-18 TT
207	817670508	Screw Thdrol 5/16-18 x 1/2 TYTT
208	817670608	Screw Thdrol 3/8-16 x 1/2 Ty-TT
212	532156229	Insert Lens Reflect

**NOTE:** All component dimensions given in U. S. inches.  
1 inch = 25.4 mm



## REPAIR PARTS

**TRACTOR - MODEL NO. YTH2046 (YTH2046A), PRODUCT NO. 954 56 70-79  
DRIVE**

KEY NO.	PART NO.	DESCRIPTION	KEY NO.	PART NO.	DESCRIPTION
1	-----	Transaxle, Hydro 314-0510 (Order Parts From Transaxle Manufacturer)	61	817060612	Screw 3/8-16 x 3/4
8	532166020	Rod Shift Fender Adjust STLT	62	532124872	Cover, Pedal
9	532160889	Clutch Electric	63	532145868	Pulley, Engine
10	876020416	Pin Cotter 1/8 x 1 CAD	65	810040700	Washer Lock Hvy HLCL Spr 7/16
14	810040400	Washer Lock Hvy Helical	66	532154778	Keeper Belt Engine
15	874490544	Bolt Hex 5/16-18 Unc Flghd	69	532142432	Screw Hex Wsh Hi-Lo 1/4-1/2 Unc
16	873800500	Nut Lock Hex W/Ins. 5/16-18 Unc P	71	532169183	Strap Torque Lh Hydro
19	873800600	Nut Lock Hex W/Ins 3/8-16 Unc	73	532169182	Strap Torque Rh Hydro
20	532150280	Bolt, Hex 7/16-20 x 4-1/4 Ga. 5	74	532137057	Spacer, Axle
21	532140845	Knob Deluxe 1/2-13 UNC BLK/BLK	75	532121749	Washer 25/32 x 1-1/4 x 16 Ga.
22	532169498	Rod, Brake Hydro	76	812000001	E-Ring
23	532171258	Bracket Asm Mtg CL	77	532123583	Key, Square
24	873350600	Nut Hex Jam 3/8-16 UNC	78	532121748	Washer 25/32 x 1-5/8 x 16 Ga
25	532106888	Spring, Brake Rod	81	532165596	Shaft Asm Cross Tapered
26	819131316	Washer	82	532123782	Spring Torsion T/A
27	876020412	Pin Cotter 1/8 x 3/4 CAD.	83	819171216	Washer 17/32 x 3/4 x 16 Ga.
28	532145204	Rod, Parking Brake	84	532169594	Link Transaxle
29	532071673	Cap, Parking Brake	89	532166624	Console, Shift
30	532169592	Bracket, Transaxle	95	532170201	Control Asm. Bypass Hydro
32	874760512	Bolt Hex Hd 5/16-18 Unc x 3/4	96	532124788	Retainer Spring 1" Zinc/Cad
33	872140506	Bolt Carriage 5/16-18 UNC x 3/4	144	819111016	Washer 11/32 x 5/8 x 16 Ga.
34	532155071	Shaft, Foot Pedal	150	532165850	Bushing Bellcrank Grd Drive
35	532120183	Bearing, Nylon	151	819133210	Washer 13/32 x 2 x 10 Ga.
36	819211616	Washer	156	532166002	Washer Srrted 5/16ID x 1.125
37	532124963	Pin, Roll	158	532165589	Bracket Shift Mount
38	532131494	Pulley, Idler, Flat	159	532165494	Hub Tapered Flange Shift Lt
39	874760644	Bolt	161	872140406	Bolt Rdhd Sqnk 1/4-20 x 3/4 Gr 5
40	532124965	Spacer Split	162	873680400	Nut Crownlock 1/4-20 Unc
41	532165838	Keeper, Belt Idler	163	874780416	Bolt Hex Fin 1/4-20 Unc x 1 Gr 5
42	819131312	Washer 13/32 x 13/16 x 12 Ga	164	819091010	Washer 5/8 x .281 x 10 Ga
47	532127783	Pulley, Idler, V-Groove Plastic	165	532165623	Bracket Pivot Lever
48	532154407	Bellcrank Clutch Grnd Drv STL	166	532166880	Screw 5/16-18 x 5/8
49	532123205	Retainer, Belt Style Spring	168	532165492	Bolt Shoulder 5/16-18 x .561
50	874760624	Bolt Hex Hd 3/8-16 Unc x 1-1/2	169	532165580	Plate Fastening STLT/CRD
51	873680600	Nut	197	532169613	Nyliner Snap 5/8" ID
52	873680500	Nut Crown Lock 5/16-18	198	532169593	Washer Nyl 7/8 ID x .105 Hyd
53	532105710	Link, Clutch	199	532169612	Bolt Shoulder 5/16-18 Unc
55	532105709	Spring, Return, Clutch	200	872140508	Bolt Rdhd Sqnk 5/16-18 Unc x 1
56	874760620	Bolt, Fin Hex 3/8-16 UNC x 1 1/4	201	817490612	Screw Thdrol 3/8-16 x 3/4
57	532140294	V-Belt, Ground Drive	202	872110612	Bolt
59	532169691	Keeper, Center Span			

**NOTE:** All component dimensions given in U.S. inches  
1 inch = 25.4 mm



## REPAIR PARTS

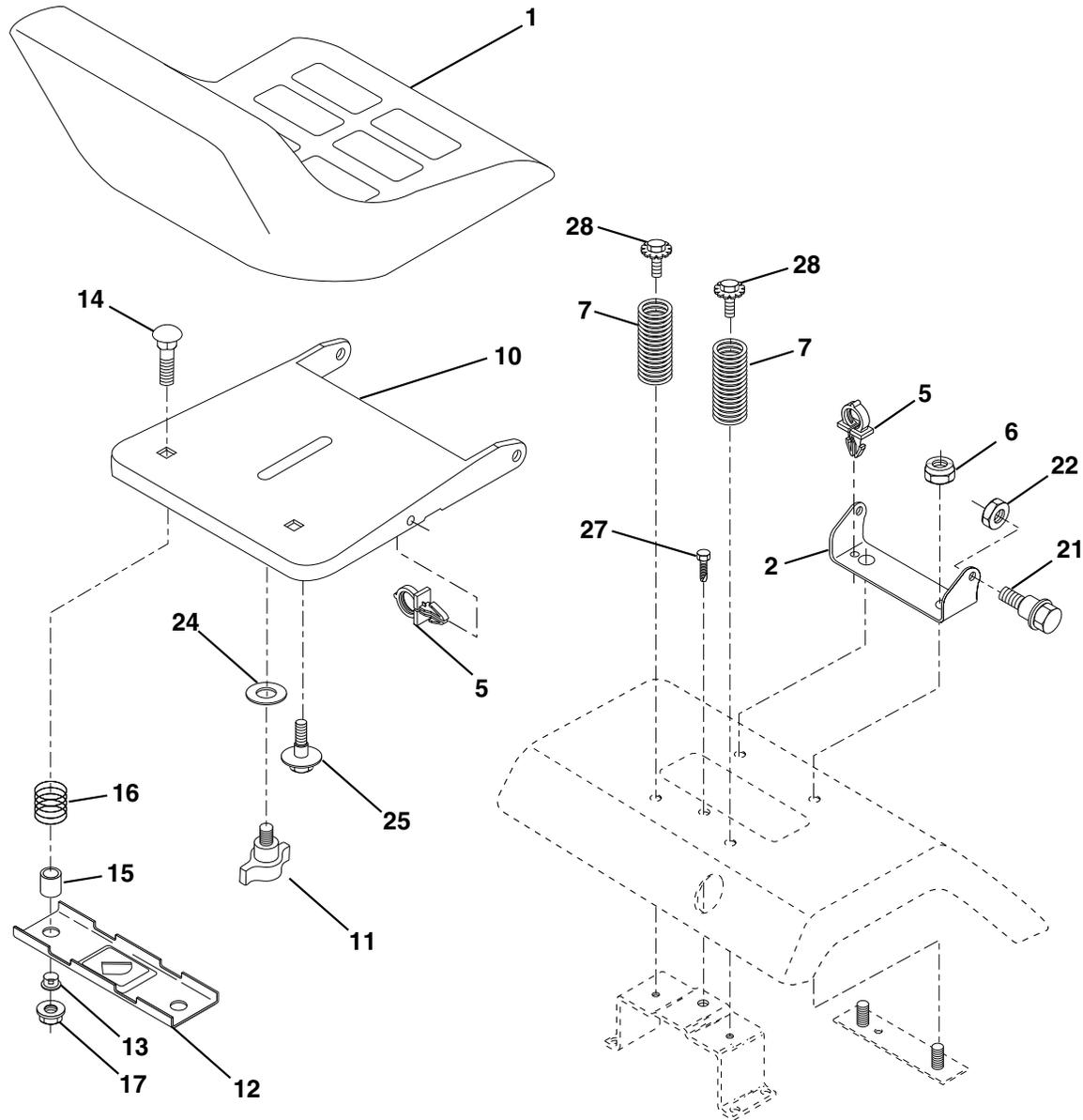
**TRACTOR - MODEL NO. YTH2046 (YTH2046A), PRODUCT NO. 954 56 70-79**  
**STEERING ASSEMBLY**

KEY NO.	PART NO.	DESCRIPTION
1	532166627	Wheel Steering
2	532172393	Axle Cast Lt Machined
3	532169840	Spindle Asm LH
4	532169839	Spindle Asm RH
5	532124931	Bearing Race Thrust Harden
6	532121748	Washer 25/32 X 1-5/8 X 16 Ga
8	812000029	Ring Klip #t5304-75
10	532169832	Link Drag
11	810040600	Washer Lock Hvy Hlcl Spr 3/8
13	532136518	Spacer Brg Axle Front
15	532145212	Nut Hex Flange Lock
17	532156546	Shaft Asm Strg
18	532057079	Washer Thrust 515x 750x 033
19	532160395	Support Shaft
22	532165857	Screw Hex Wshhd Torx
23	532165851	Shaft Asm Pittman
25	532154406	Bracket Steering
27	532136874	Gear Sector
29	817060612	Screw 3/8-16x3/4
32	532171888	Rod Tie Ball J
33	819111216	Washer 11/32 x 3/4 x 16 Ga.
34	810040500	Washer Lock Hvy Helical 5/16
35	873540500	Nut Crown Lock 5/16-24Unf
36	532155099	Bushing Strg
37	532152927	Screw
38	532166626	Insert Cap Strg Wh
39	819132411	Washer 13/32 x 1-1/20 x 11 Ga
40	532124701	Lock nut
41	532159945	Adaptor Wheel Strg
42	532169634	Boot Steering Shaft
43	532121749	Washer 25/32 X 1 1/4 X 16 Ga
44	532153720	Extension Steering Shaft LR/LT
46	532121232	Cap Spindle Fr Top Blk
51	873800500	Nut Lock Hex w/Ins 5/16-18
54	874780520	Bolt Fin Hex 5/16-18 Unc x 1-1/4
62	532167902	Kit, Steering Assembly Svc
63	874780616	Bolt Fin Hex 3/8-16unc x 1 Gr. 5
65	532160367	Spacer Brace Axle
66	532154404	Bearing Arm Pittman
67	872140618	Bolt Rdhd Sq 3/8-16 x 2-1/4
68	532169827	Axle, Brace
79	819132012	Washer 13/32 x 1-1/4 x 12 Ga
80	874950612	Bolt Hex Nylon 3/8-16 x 3/4
82	532169835	Bracket Susp Chassis Front
87	532173966	Washer Flat .781 x 1-1/2 x .14

**NOTE:** All component dimensions given in U.S. inches.  
 1 inch = 25.4 mm.

# REPAIR PARTS

**TRACTOR - MODEL NO. YTH2046 (YTH2046A), PRODUCT NO. 954 56 70-79**  
**SEAT ASSEMBLY**



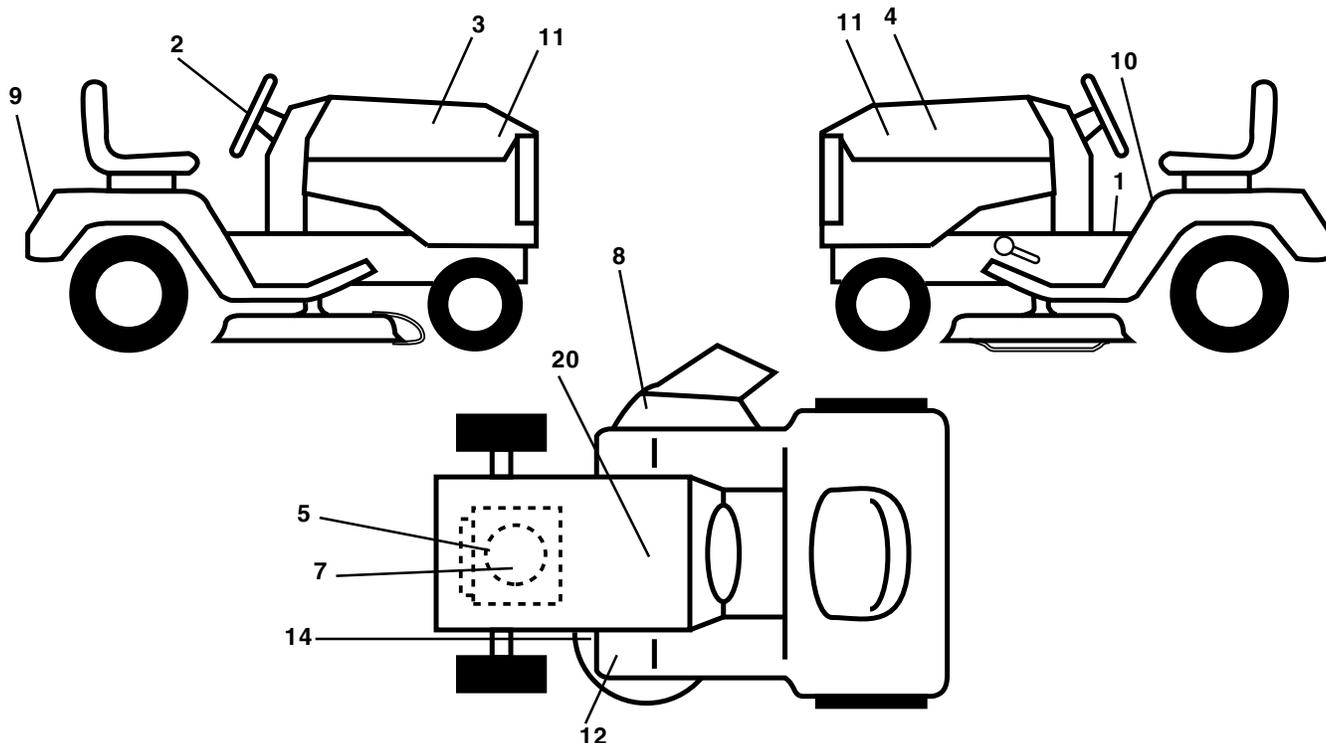
KEY NO.	PART NO.	DESCRIPTION
1	532140840	Seat
2	532140551	Bracket Pivot Seat 8 720
3	874760616	Bolt Fin Hex 3/8-16unc X 1
4	819131610	Washer 13/32 X 1 X 10 Ga
5	532145006	Clip Push-In
6	873800600	Nut Hex w/Ins. 3/8-16 Unc
7	532124181	Spring Seat Cprsn 2 250 Blk Zi
8	817060616	Screw Thdrol 3/8-16 X 1-1/2
9	819131614	Washer 13/32 X 1 X 14 Ga.
10	532174894	Pan Seat
11	532166369	Knob Seat Adj Wingnut
12	532121246	Bracket Mounting Switch
13	532121248	Bushing Snap Blk Nyl 50 Id

KEY NO.	PART NO.	DESCRIPTION
14	872050412	Bolt Rdhd Sqnk 1/4-20x1-1/2
15	532121249	Spacer Split 28 x .88 Zinc
16	532123740	Spring Cprsn Plate
17	532123976	Nut Lock 1/4 Lge Flg Gr 5 Zinc
18	532124238	Cap Spring Seat
21	532171852	Bolt Shoulder 5/16-18 Unc
22	873800500	Nut Hex Lock W/Ins 5/16-18
24	819171912	Washer 17/32 X 1 -3/16 X 12 Ga.
25	532127018	Bolt Shoulder 5/16-18 X 62
27	817490608	Screw Thdrol 3/8-16 x 1/2 Ty-tt
28	532171877	Bolt 5/16-18unc x 3/4 W/Sens

**NOTE:** All component dimensions given in U.S. inches.  
 1 inch = 25.4 mm

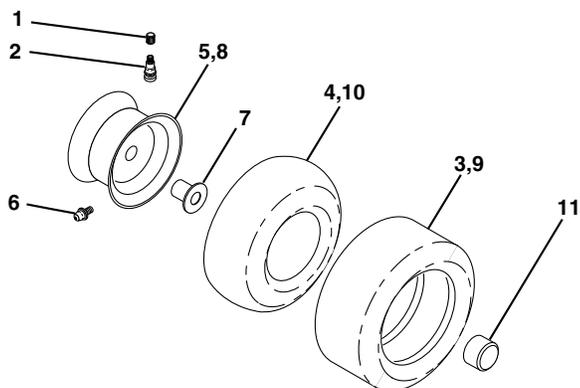
# REPAIR PARTS

TRACTOR - MODEL NO. YTH2046 (YTH2046A), PRODUCT NO. 954 56 70-79  
DECALS



KEY NO.	PART NO.	DESCRIPTION	KEY NO.	PART NO.	DESCRIPTION
1	532156693	Decal Oper Inst Hyd E/F	10	532157140	Decal Fender Danger E/F
2	532170564	Decal Strg Wheel Logo	11	532176776	Decal Hood Sides
3	532176773	Decal Hood RH	12	532101892	Decal Clutch/Brake
4	532176774	Decal Hood LH	14	532160397	Decal V-Belt Schematic
5	532176777	Decal Engine	20	532145005	Decal Bat Dan/Psn
7	532176775	Decal Engine Recoil Cover	--	532169210	Decal By Pass Lt Hydro
8	532170563	Decal Warning	--	532133671	Pad Footrest
9	532176822	Decal Fender Husq	--	532138311	Decal Handle Lft Height Adjust
			--	532176687	Manual Owner's (English)
			--	532176688	Manual Owner's (French)

## WHEELS & TIRES

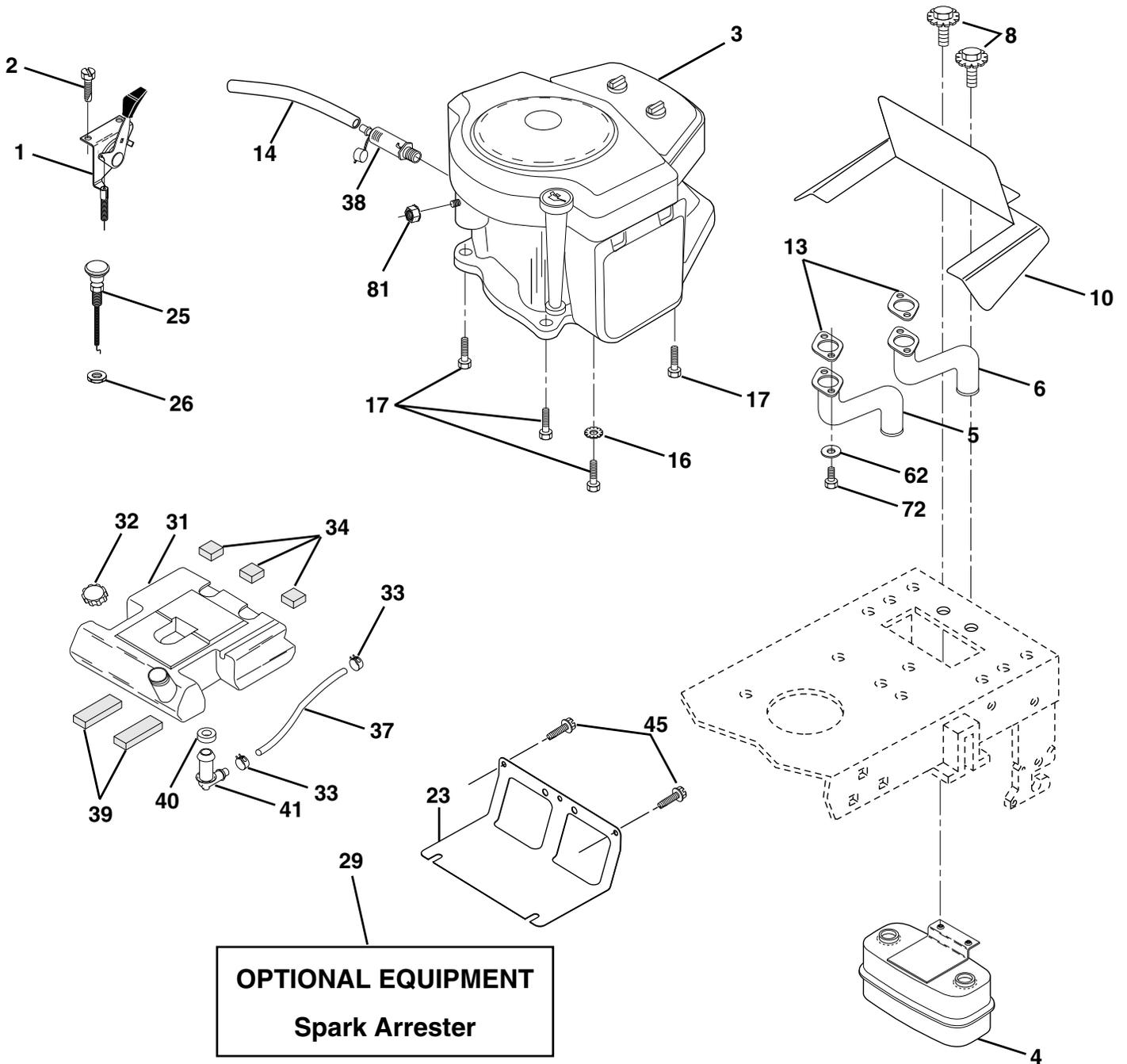


KEY NO.	PART NO.	DESCRIPTION
1	532059192	Cap Valve Tire
2	532065139	Stem Valve
3	532106222	Tire F Ts 15 X 6 0 - 6 Service
4	532059904	Tube Front (Service Item Only)
5	532138336	Rim Asm 6"front Silver Service
6	532124957	Fitting Grease (Front Wheel Only)
7	532124959	Bearing Flange (Front Wheel Only)
8	532138337	Rim Asm 8"rear Silver Service
9	532122082	Tire R Ts 20x10-8 C Service
10	532124926	Tube Rear (Service Item Only)
11	532175039	Cap Axle Blk 1 50 X 1 00
--	532144334	Sealant, Tire ( 10 oz. Tube)

**NOTE:** All component dimensions given in U.S. inches  
1 inch = 25.4 mm

# REPAIR PARTS

TRACTOR - MODEL NO. YTH2046 (YTH2046A), PRODUCT NO. 954 56 70-79  
ENGINE



**OPTIONAL EQUIPMENT**  
**Spark Arrester**

## REPAIR PARTS

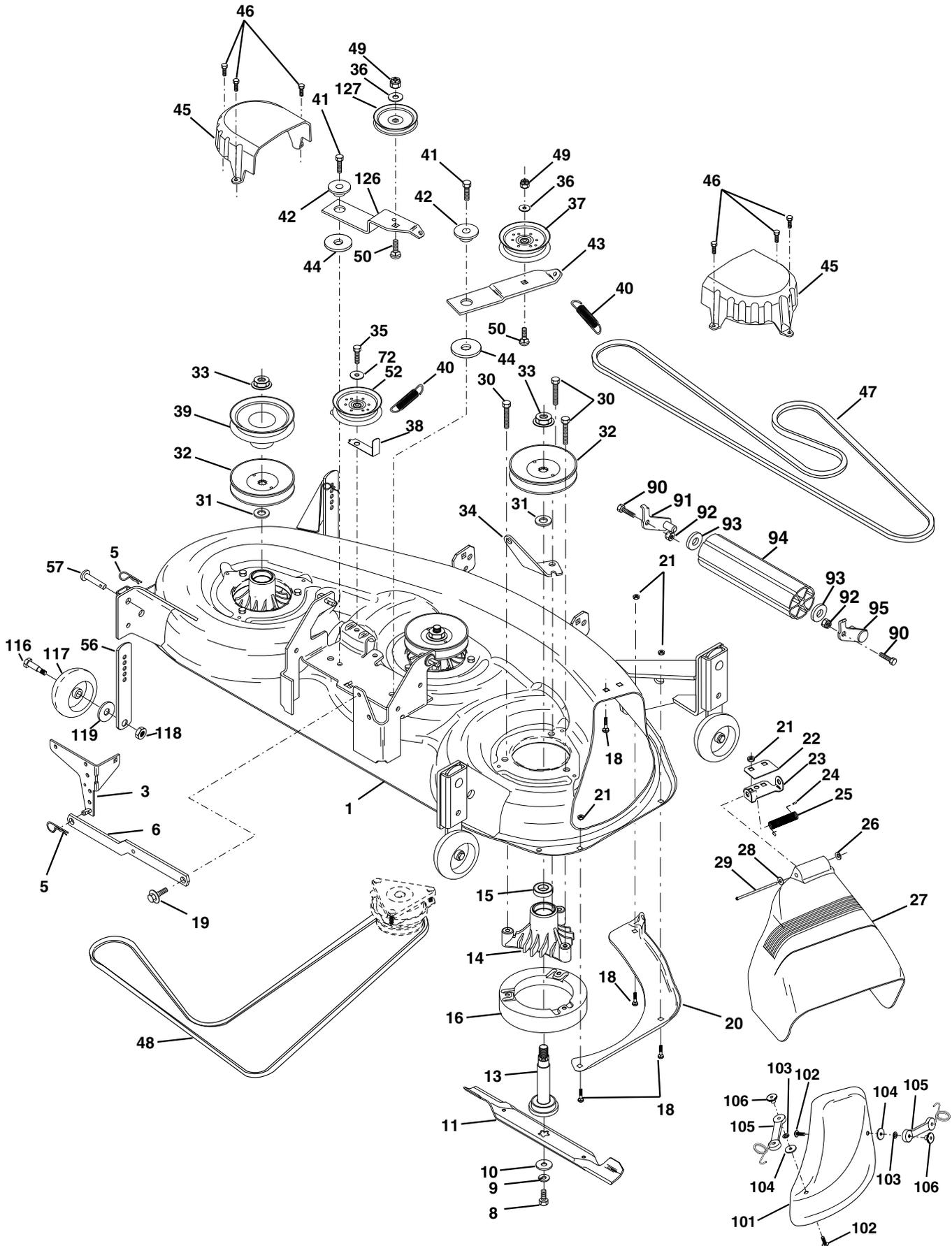
TRACTOR - MODEL NO. YTH2046 (YTH2046A), PRODUCT NO. 954 56 70-79  
ENGINE

KEY NO.	PART NO.	DESCRIPTION
1	532170771	Control Throt Flg 180 LH
2	817720410	Screw Hex Thd Cut 1/4-20x5/8 T
3	-----	Engine B&S Model 407777 (Order Parts from Engine Manufacturer)
4	532149723	Muffler Asm Twin Lo-Tone
5	532159955	Exhaust Tube LH
6	532160589	Exhaust Tube RH
8	532171877	Bolt 5/16-18unc x 3/4 W/Sems
10	532162797	Shield Browning B&S Intek II
13	532165391	Gasket Muffler
14	532148456	Tube Drain Oil Easy
16	811050600	Washer Lock Ext Tooth 3/8
17	817490624	Screw Thdrol 3/8-16 x 1-1/2
23	532169837	Shield Browning
25	532145996	Choke Control 37"
26	873920600	Nut, Keps 3/8-24 Unf
29	532137180	Kit Spark Arrestor (Flat Scrm)
31	532151346	Tank Fuel 3 50 Rear
32	532140527	Cap Asm Fuel Top N/Lany Vented
33	532123487	Clamp Hose Blk
34	532106082	Pad, Spacer
37	532142158	Line Fuel
38	532148315	Plug Drain Oil Easy
39	532109227	Pad, Idler
40	532124952	Bushing
41	532139277	Stem Tank Fuel
45	817000612	Screw Hexwsh Thdr 3/8-16 x 3/4
62	810040500	Washer Lock Hvy Hlcl Spr 5/16
72	871070512	Screw Hex Hd Cap 5/16-18 x 3/4
81	873510400	Nut Keps Hex 1/4-20 Unc

**NOTE:** All component dimensions given in U.S. inches  
1 inch = 25.4 mm

# REPAIR PARTS

TRACTOR - MODEL NO. YTH2046 (YTH2046A), PRODUCT NO. 954 56 70-79  
MOWER DECK



## REPAIR PARTS

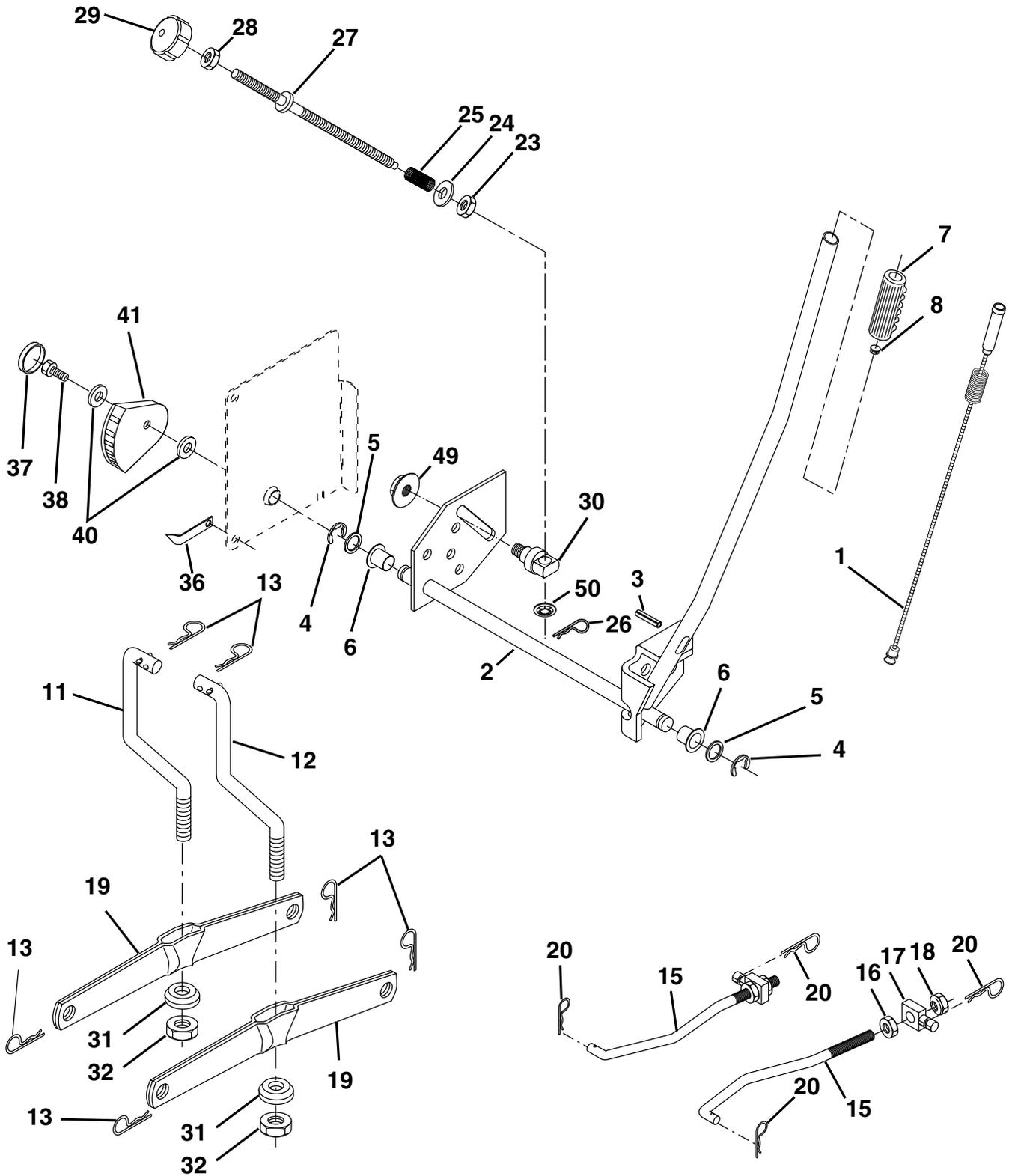
**TRACTOR - MODEL NO. YTH2046 (YTH2046A), PRODUCT NO. 954 56 70-79  
MOWER DECK**

KEY NO.	PART NO.	DESCRIPTION	KEY NO.	PART NO.	DESCRIPTION
1	532177083	Deck Weldment Mower HD 46 WAD	43	532177085	Arm, Idler Secondary
3	532138457	Bracket Asm., Sway Bar	44	532133943	Washer, Hardened
5	532124670	Retainer Spring	45	532145059	Cover, Mandrel Deck
6	532130832	Arm, Suspension, Rear (Sway Bar)	46	532137729	Screw, Thdroll. 1/4-20 x 5/8
8	532850857	Bolt, Patched 3/8-24 x 1-1/4 Gr. 8	47	532144959	V-Belt, Mower, Secondary
9	810030600	Washer, Lock Hvy., Unplated 3/8	48	532148763	V-Belt, Mower, Primary
10	532140296	Washer, Hard Blade, Mower Vented	49	873680600	Nut, Crownlock 3/8-16 UNC
11	532176084	Blade, 46" High Performance	50	872110612	Bolt, Carriage 3/8-16 x 1-1/2 Gr. 5
	532152443	Blade, 46" Mulching	52	532173901	Pulley Idler Flat 46 Pri. Drive
13	532137553	Shaft Asm. w/Lower Bearing (Includes Key No. 12)	56	532155986	Bar Pnt Adjusting Wheel Gauge
14	532137152	Housing, Mandrel	57	532156941	Pin Head Rivet
15	532110485	Bearing, Ball, Mandrel	72	819131616	Washer 13/32 x 1 x 16 Ga.
16	532140329	Stripper, Mower Round	90	874760616	Bolt, Fin, Hex 3/8-16 UNC x 1
18	872140505	Bolt, Carriage 5/16-18 x 5/8	91	532132274	Bracket, Asm Noseroller, LH
19	532132827	Bolt, Hex Head, Shoulder 5/16-18	92	873800600	Nut, Lock, Hex w/Ins 3/8-16UNC
20	532145055	Baffle, Vortex Mower 46"	93	819171416	Washer 17/32 x 7/8 x 16 Ga.
21	873680500	Nut, Crownlock 5/16-18 UNC	94	532132264	Roller, Nose 38 & 42
22	532176929	Stiffener, Bracket	95	532132273	Bracket, asm Noseroller RH
23	532176927	Bracket, Deflector	101	532145579	Cover, Mulching
24	532105304	Cap, Sleeve	102	871161010	Screw
25	532149287	Spring, Torsion, Deflector	103	810071000	Washer, Lock #10
26	532110452	Nut, Push	104	819061216	Washer
27	532171384	Shield, Deflector Mower	105	532160793	Latch Asm. Bagger
28	819111016	Washer 11/32 x 5/8 x 16 Ga.	106	532125004	Nut, Weld
29	532131491	Rod, Hinge	116	532137644	Bolt, Shoulder
30	532157722	Screw, Thdroll, Washer Head	117	532133957	Gauge Wheel
31	532129963	Washer, Spacer Mower Vented	118	873930600	Nut, Centerlock 3/8-16 UNC
32	532173434	Pulley, Mandrel	119	819121414	Washer 3/8 x 7/8 x 14 Ga.
33	532137266	Nut, Flg. Top Lock Cntr. 9/16	126	532177084	Arm, Idler, Primary Deck 46"
34	532177086	Anchor, Spring Deck 46"	127	532173902	Pulley, Idler, V-Groove Dim. 4.25
35	817490628	Screw, Thdroll 3/8-16 x 1-3/4 Tytt	--	532143651	Mandrel Assembly ( Includes Key Nos. 8-10, 12-15, 31 and 33)
36	819131316	Washer 13/32 x 13/16 x 16 Ga.	--	532176549	Mower Serv 46" (Standard Deck Order nose roller, guage wheels, and mulching plate components separately Key Nos. 90-95, 116-118, 101-106)
37	532173438	Pulley, Idler, Flat			
38	532173900	Keeper, Belt, Idler			
39	532173899	Pulley, Idler, Driven			
40	532137273	Spring, Secondary 44/46/50 Vent			
41	817060620	Screw, Thdroll 3/8-16 x 1-1/4			
42	532122052	Spacer, Retainer			

**NOTE:** All component dimensions given in U.S. inches  
1 inch = 25.4 mm

# REPAIR PARTS

TRACTOR - MODEL NO. YTH2046 (YTH2046A), PRODUCT NO. 954 56 70-79  
MOWER LIFT



## REPAIR PARTS

TRACTOR - MODEL NO. YTH2046 (YTH2046A), PRODUCT NO. 954 56 70-79  
MOWER LIFT

KEY NO.	PART NO.	DESCRIPTION
1	532159460	Wire Asm Inner/Spring W/Plunger LT
2	532159471	Shaft Asm Lift RH w/Inf
3	532105767	Pin Groove 1 500 Zinc
4	812000002	E Ring #5133-62
5	819211621	Washer 21/32 X 1 X 21 Ga
6	532120183	Bearing Nylon Blk 629 Id
7	532125631	Grip Handle Fluted Blk
8	532124526	Button Plunger Black
11	532139865	Link Lift LH Fixed Length
12	532139866	Link Lift RH Fixed Length
13	532124670	Retainer Spring
15	532173288	Link Front
16	873350800	Nut Jam Hex 1/2-13 Unc
17	532130171	Trunnion Blk Zinc
18	873800800	Nut Lock w/Wsh 1/2-13unc
19	532139868	Arm Suspension Rear
20	532163552	Retainer Spring
23	532110807	Nut Special
24	819131016	Washer 13/32 X 5/8 X 16 Ga
25	532124874	Spring 2-1/8"
26	532169484	Retainer Clip
27	532126971	Rod Adj Lift Zinc 7.49 Wrk Lg
28	873350600	Nut Hex Jam 3/8-16 Unc
29	532138057	Knob Inf 3/8-16 Unc Blk W/sym
30	532150233	Trunnion Infin Height
31	532169865	Bearing Pvt Lift
32	873540600	Nut Crownlock 3/8 - 24
36	532155097	Indicator Height STLT
37	532123935	Plug Hole Blk 1.485/1.515 Dia.
38	817060516	Screw 5/16-18 x 1
40	819112410	Washer 11/32 x 1-1/2 10 Ga.
41	532155098	Scale Ind. Height Blk.
49	532145212	Nut Hex Flange Lock
50	532110452	Nut, Push Phos & Oil

**NOTE:** All component dimensions given in U.S. inches  
1 inch = 25.4 mm