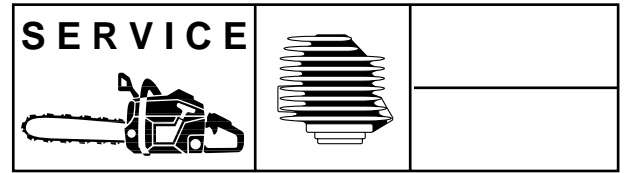


For Husqvarna Parts Call 606-678-9623 or 606-561-4983



IPL, 225E, 2000-10, 106 26 43-61

225E

Spare parts

Ersatzteile

Pièces détachées

Reserve onderdelen

Repuestos

Reservdelar

106 26 43-61

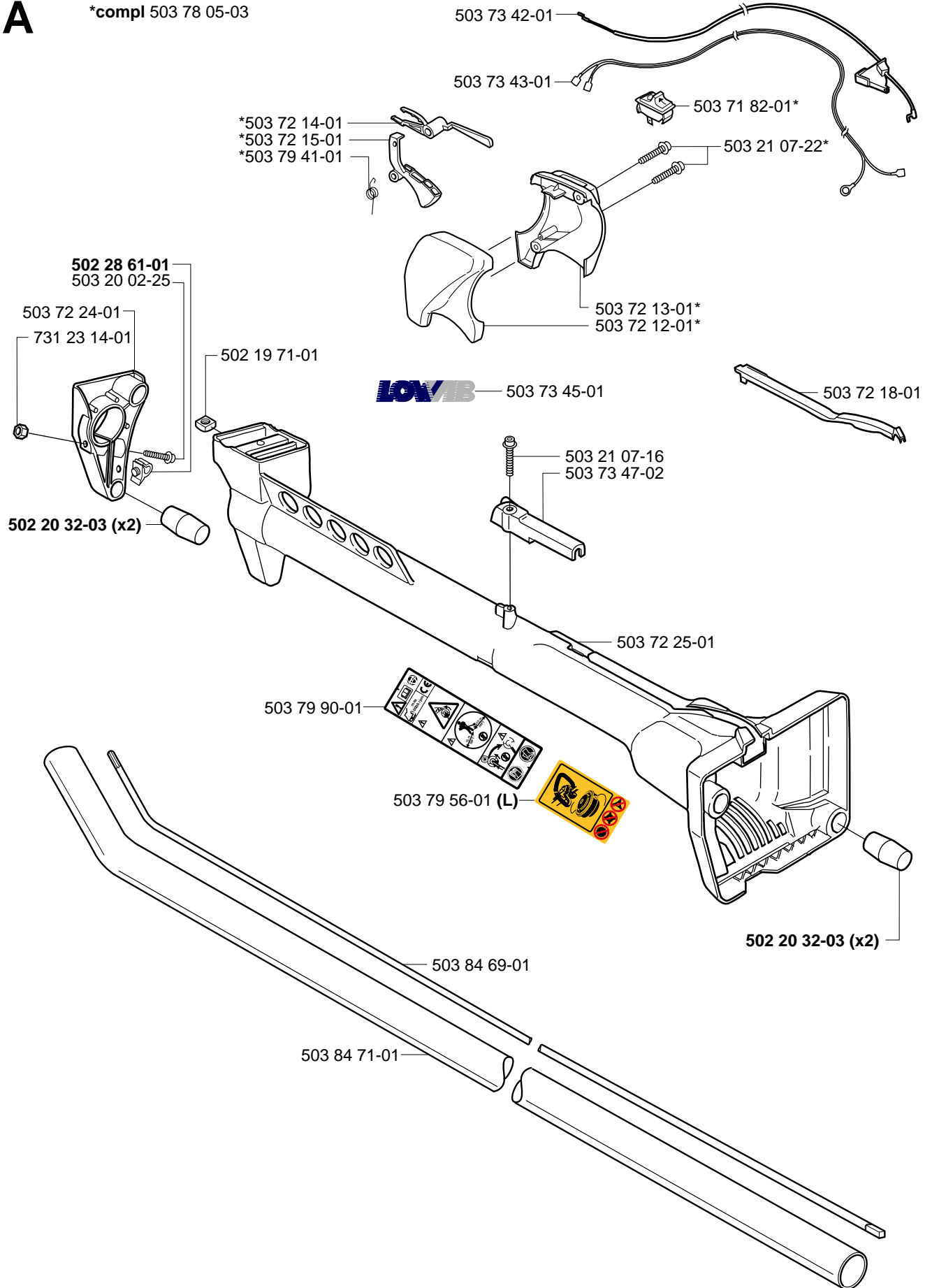
For Husqvarna Parts Call 606-678-9623 or 606-561-4983

MODEL 225E

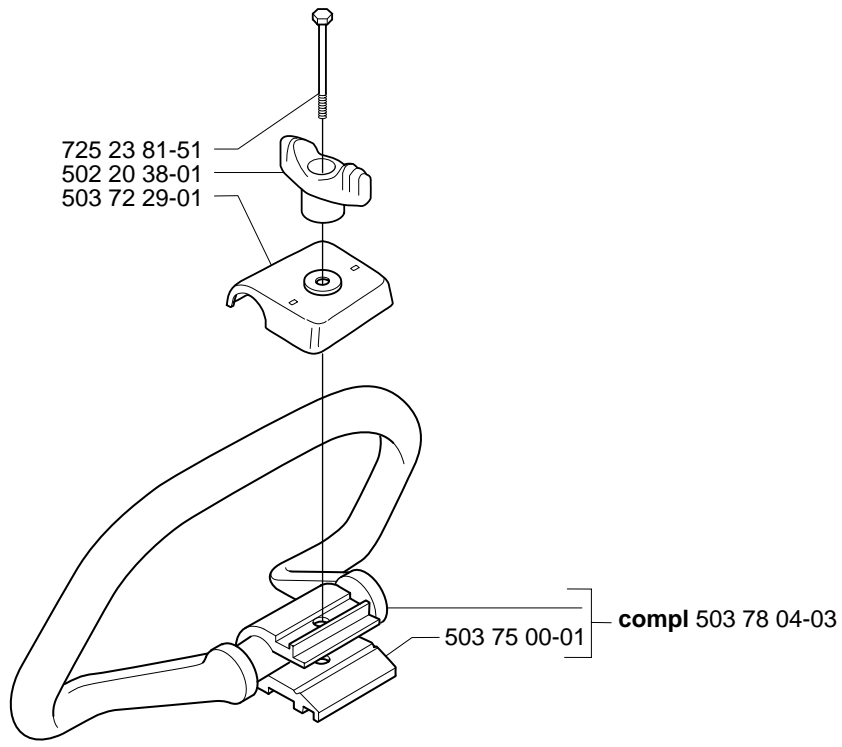
PART NUMBER	SQUARE NOTE	PART NUMBER	SQUARE NOTE	PART NUMBER	SQUARE NOTE	PART NUMBER	SQUARE NOTE
501 27 82-01	H	503 72 12-01	A	504 21 00-49	N		
501 46 69-01	N	503 72 13-01	A	504 21 00-50	N		
501 46 84-01	N	503 72 14-01	A	505 30 51-25	M		
501 46 85-01	N	503 72 15-01	A	505 31 67-17	N		
501 46 87-01	N	503 72 18-01	A	505 31 67-45	N		
501 48 54-02	L	503 72 24-01	A	505 31 67-54	N		
501 66 61-01	N	503 72 25-01	A	505 31 67-82	N		
501 66 78-01	N	503 72 29-01	B	505 52 01-10	N		
502 10 30-01	N	503 72 44-05	F	505 52 01-25	N		
502 10 31-01	N	503 72 45-02	D	505 52 01-27	N		
502 18 94-03	E	503 73 42-01	A	506 02 81-01	N		
502 18 95-02	M	503 73 43-01	A	530 03 51-73	N		
502 18 95-03	M	503 73 45-01	A	531 00 40-44	B		
502 19 71-01	AB	503 73 47-02	A	537 00 84-01	M		
502 19 84-01	G	503 73 58-01	H	537 02 49-01	G		
502 19 86-02	G	503 75 00-01	B	537 03 85-01	L		
502 20 06-01	M	503 77 53-01	M	537 04 24-04	H		
502 20 32-03	A	503 78 04-03	B	537 05 18-01	N		
502 20 38-01	B	503 78 05-03	A	537 05 27-01	GN		
502 20 40-01	G	503 79 05-01	L	537 05 52-01	H		
502 20 65-01	G	503 79 06-01	L	725 23 81-51	B		
502 21 23-01	G	503 79 41-01	A	725 53 68-55	B		
502 21 25-24	M	503 79 56-01	A	725 53 72-55	H		
502 21 26-18	C	503 79 90-01	A	725 54 61-51	B		
502 21 32-01	N	503 81 16-01	G	731 23 14-01	AG		
502 21 33-01	N	503 81 24-01	L	731 71 14-51	G		
502 21 35-01	N	503 81 29-01	L	734 11 64-01	B		
502 21 37-01	N	503 82 80-04	H	734 11 74-41	B		
502 21 57-03	E	503 84 00-01	H	735 31 11-00	K		
502 21 92-06	K	503 84 65-01	B	735 31 25-10	K		
502 28 61-01	A	503 84 67-01	B	735 31 31-10	K		
503 10 47-01	N	503 84 68-01	B	737 44 08-00	D		
503 10 87-01	N	503 84 69-01	A	738 21 99-00	K		
503 11 70-01	N	503 84 71-01	A	738 22 01-19	K		
503 20 02-25	ABK	503 84 73-01	B				
503 20 02-30	E	503 84 74-01	B				
503 20 25-16	L	503 84 76-01	E				
503 20 29-63	J	503 84 77-01	B				
503 21 06-16	B	503 84 80-01	B				
503 21 06-25	EM	503 84 81-01	B				
503 21 07-16	A	503 84 83-01	B				
503 21 07-22	A	503 84 90-01	K				
503 21 29-06	M	503 85 32-01	K				
503 21 44-25	C	503 85 97-02	D				
503 21 77-16	M	503 87 41-03	C				
503 22 00-01	B	503 89 58-01	K				
503 22 04-01	L	503 89 67-01	N				
503 22 72-01	H	503 90 38-01	J				
503 23 00-61	E	503 90 40-01	J				
503 23 43-02	B	503 90 60-01	C				
503 23 51-08	D	503 90 92-01	H				
503 24 44-01	L	503 90 95-01	F				
503 25 11-01	F	503 91 07-01	F				
503 26 15-01	B	503 91 25-01	J				
503 28 90-30	D	503 91 34-01	F				
503 44 32-01	H	503 91 39-01	N				
503 49 21-02	D	503 91 40-01	N				
503 52 12-04	E	503 91 51-01	N				
503 52 42-01	N	503 91 54-01	N				
503 57 42-01	N	503 91 57-01	N				
503 69 63-01	K	503 91 58-01	N				
503 69 67-01	K	503 92 23-01	N				
503 70 29-01	K	503 98 81-01	H				
503 70 55-01	K	503 99 44-01	N				
503 71 22-01	DF	503 99 45-01	N				
503 71 40-01	E	503 99 46-01	N				
503 71 48-01	K	503 99 47-01	N				
503 71 60-01	G	503 99 48-01	N				
503 71 63-01	G	504 13 08-07	N				
503 71 82-01	A	504 13 09-06	N				

A

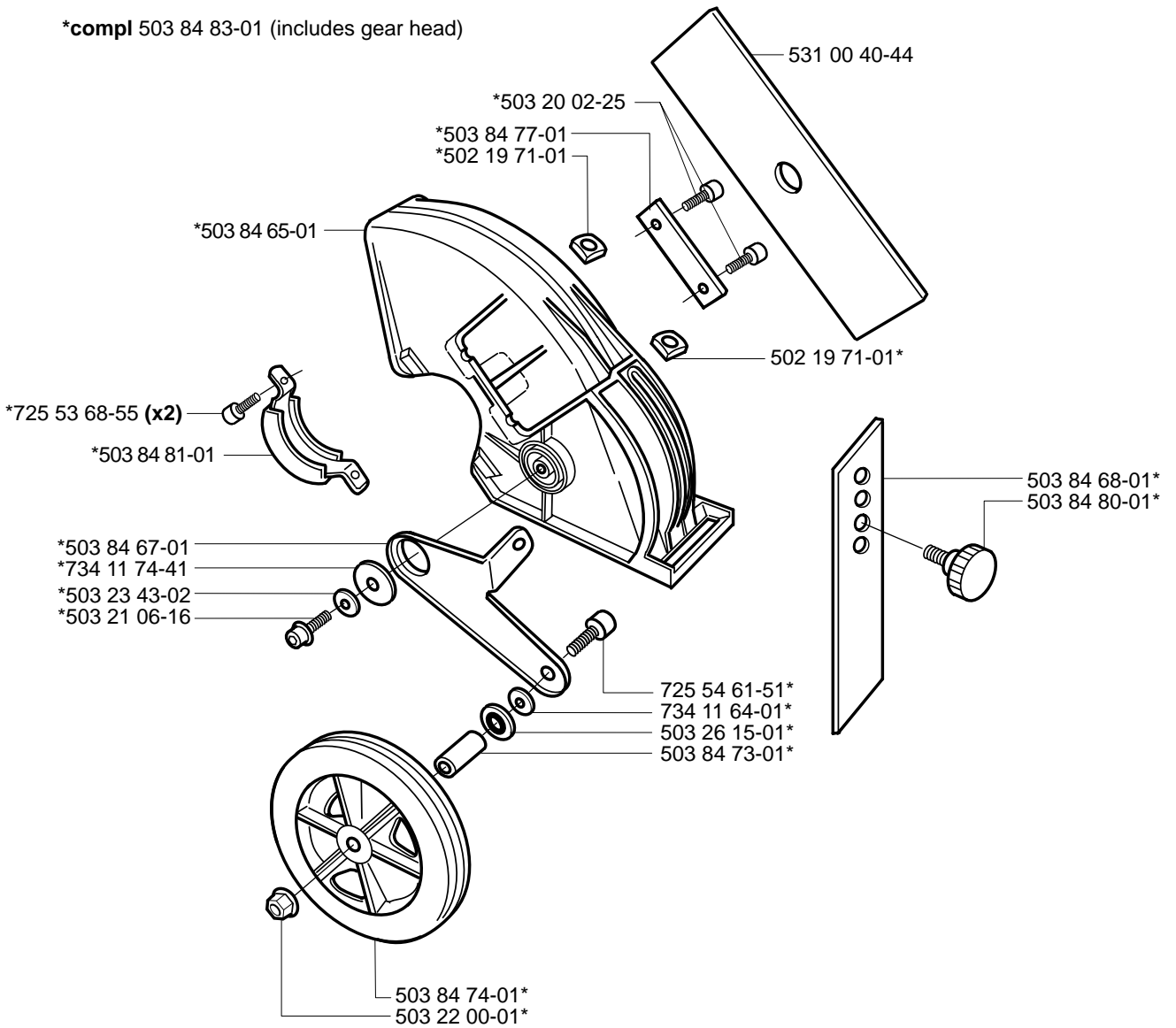
*compl 503 78 05-03



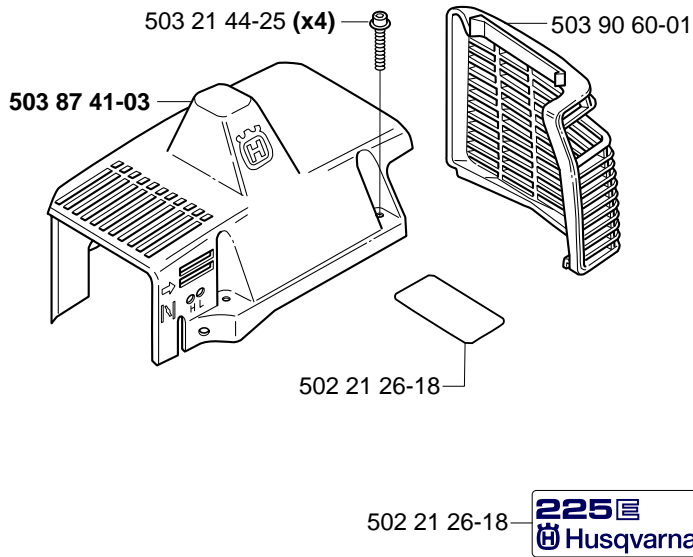
B



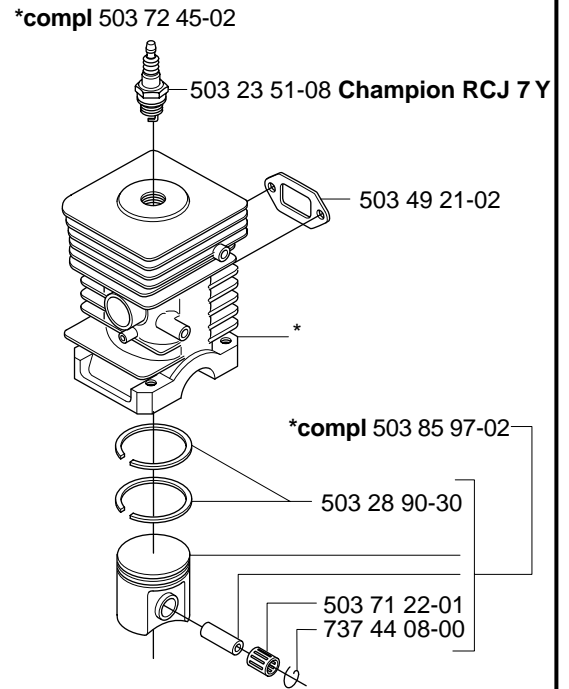
*compl 503 84 83-01 (includes gear head)



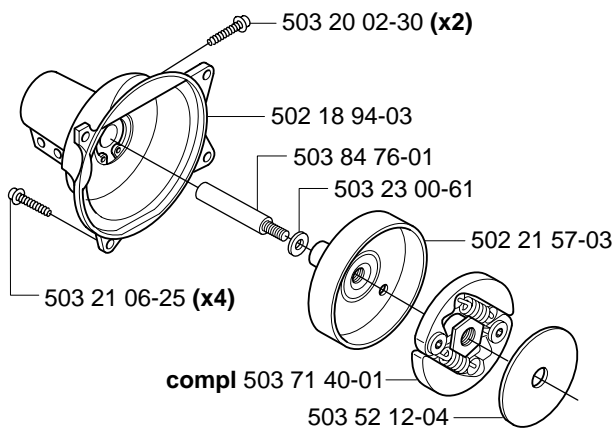
C



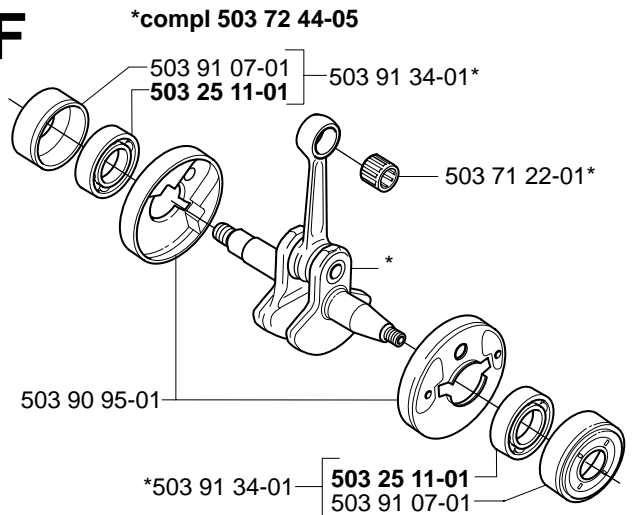
D



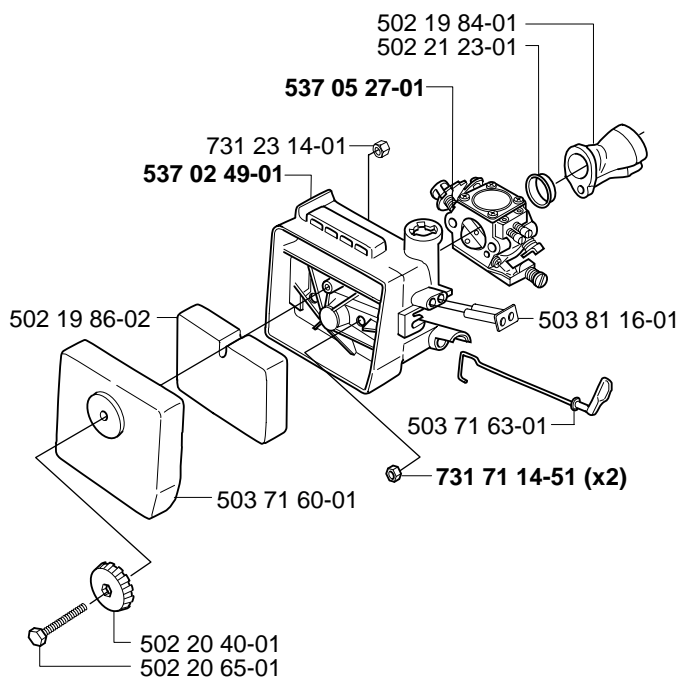
E



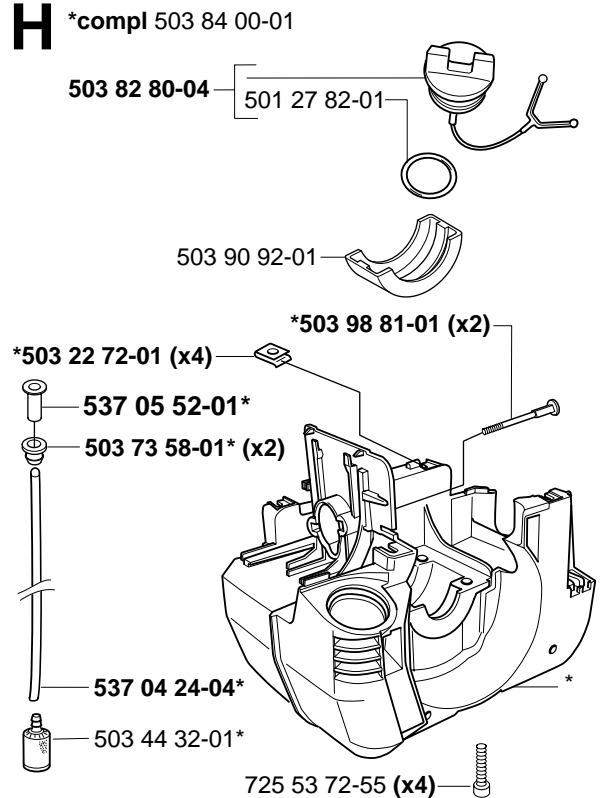
F



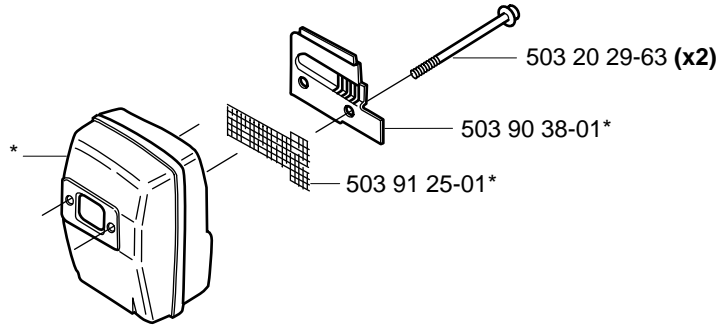
G



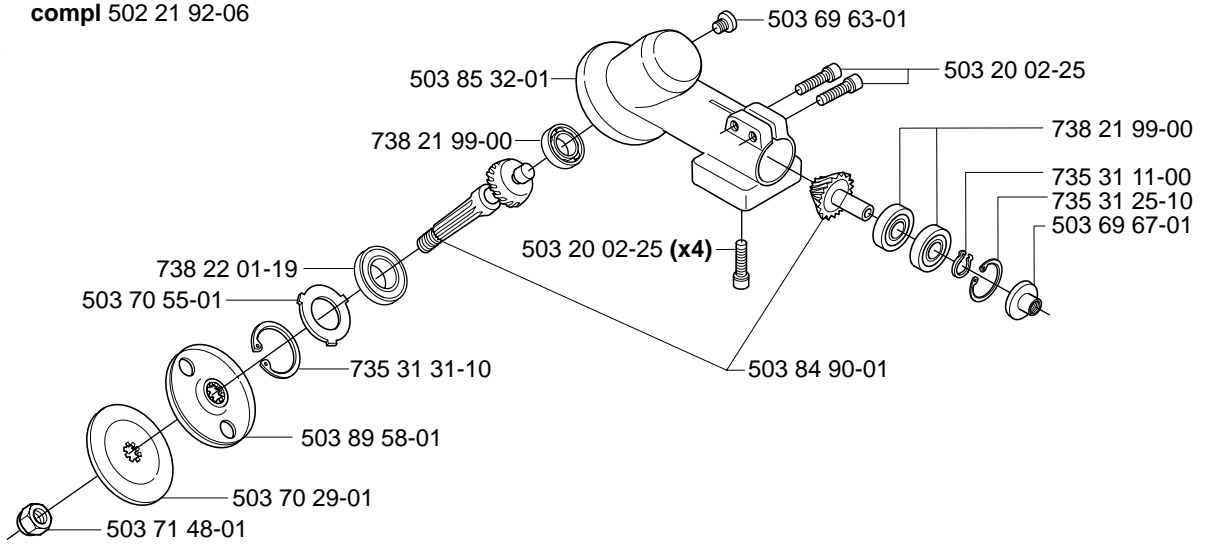
H



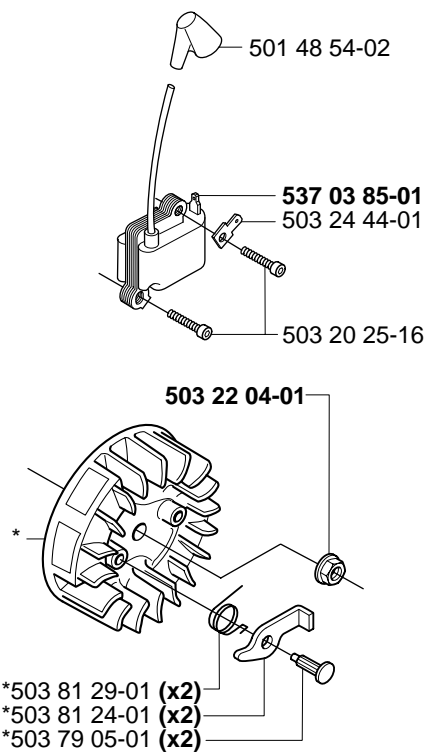
J *compl 503 90 40-01



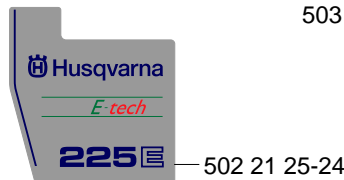
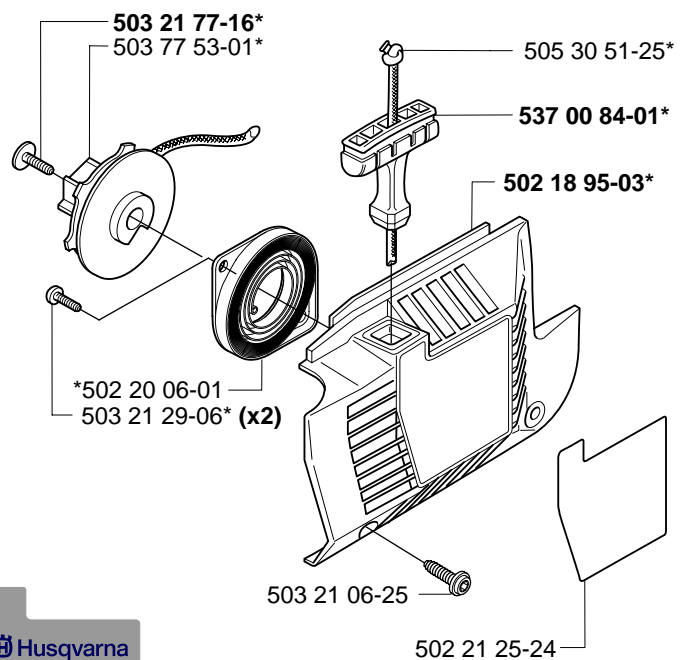
K compl 502 21 92-06



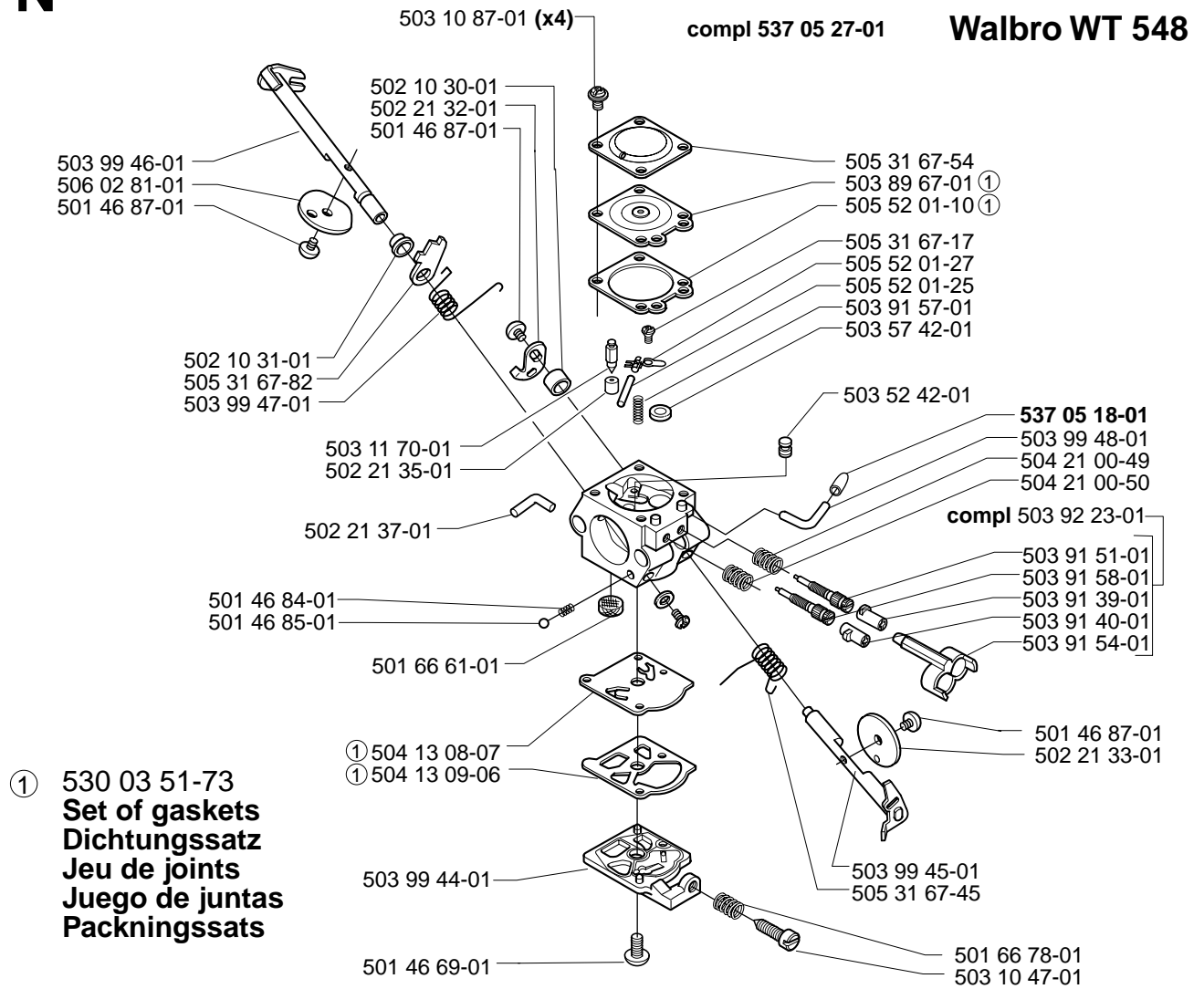
L *compl 503 79 06-01



M *compl 502 18 95-02



N



P

Accessories
Zubehöre
Accessoires
Acessorios
Tillbehör

*compl 502 21 60-01

