

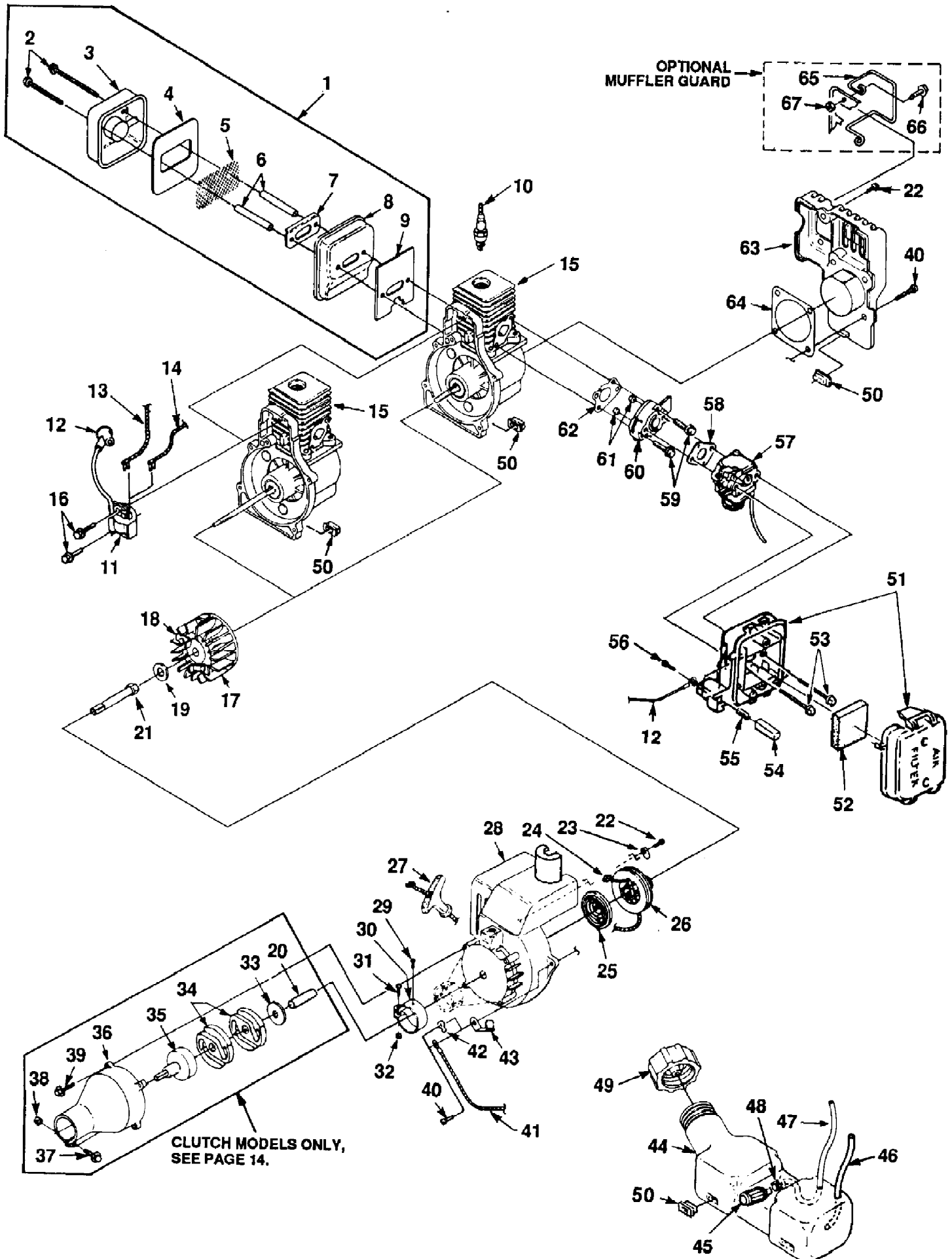
Ref #	Part Number	Qty	S/P/F	Description
1	DA92703B	1		HARNESSE w/Connector
2	A94442	1	/P	BRACKET-Hanger
3	82260	1	/P	SCREW-Thumb (10-24 X 1/2")
4	A039111	1		HANDLE GRIP ASSEMBLY
5	72084A1	1	S	NUT-Toggle Switch
6	95231	1	S	PLATE-Indicating
7	93653	1	S	SWITCH-Toggle
8	82368	4	S	SCREW-Plastite (#8 X 3/4")
9	98772A	1	S	TRIGGER
10	A03006	1	/P	CABLE-Throttle
11	A03912	1	S	LEAD-Electrical
12	A98919A	1	S	LEAD-Ground
13	A03287B	1		HOUSING-Drive Shaft (Black)
14	04458	1	S	DECAL-Starting Instructions
15	02985	1	S	DECAL-Warning
16	98818	1	/P	SHAFT-Flex
17	81267	2	/P	NUT (1/4-20)
18	83061	2	/P	WASHER (1/4")
19	00422	2	S/P	CLAMP-Handle Bar
20	88078	1	/P	SCREW-Sems Hex Hd. (1/4-20 X 1")
21	88071	1		SCREW-Sems Hex Hd. (1/4-20 X 1 1/2")
22	A97709A	1		HANDLE BAR (ST-185BC)
23	94474B	1	/P	GRIP
24	98834A	1	S	SHAFT-Spindle
25	A04457	1	S	HOUSING-Lower Bearing
26	88078	1	/P	SCREW-Sems Hex Hd. (1/4-20 X 1")
27	80869	1	/P	SCREW-Mach Hex Hd. (10-24 X 3/8")
28	98838	1		WASHER-Thrust
29	98798	2	S	BEARING-Ball
30	98839	1	/P	SPACER-Bearing
31	98799	1	/P	RING-Retaining
32	80869	2	/P	SCREW-Mach Hex Hd. (10-24 X 3/8 )
33	806813	3	/P	SCREW-Mach Hex Hd.(1/4-20 X 1/2")
34	988451	1		DEFLECTOR-Grass
35	98858	1	S	BLADE-Cut-Off
36	81208	2	/P	NUT (10-24)
37	A02951	1		HANDLE BAR ("J") (HBC-18)
38	94474B	1	/P	GRIP
39	988351A	1	S	WASHER-Flanged
40	D98717A	1	S	BLADE-Tri-Arc (8")
41	98836	1		WASHER-Cupped
42	81282	1	S	NUT-Hex Locking (R.H.)
43	98849	1	/P	CONNECTOR-Drive
44	A98231A	1	S/P	HOUSING & EYELET (Dual Line)
45	98848	1	S	SPRING-Compression
46	DA98912C	1		SPOOL & STRING (Dual Line) (ST-185BC)
	DA02598A	1		SPOOL & STRING (Dual Line) (HBC-18)
47	9801105	1		LINE-Replacement (ST-185BC) (.080" Dia. 1 lb. Box)
	0395903	1	S	LINE-Replacement (HBC-18) (.095" Dia. 1 lb. Box)
48	DA98866A	1	S	RETAINER-Spool (R.H. Thread)

HBC18 String Trimmer UT-15075-1  
Boom & Head

Page 3 of 14

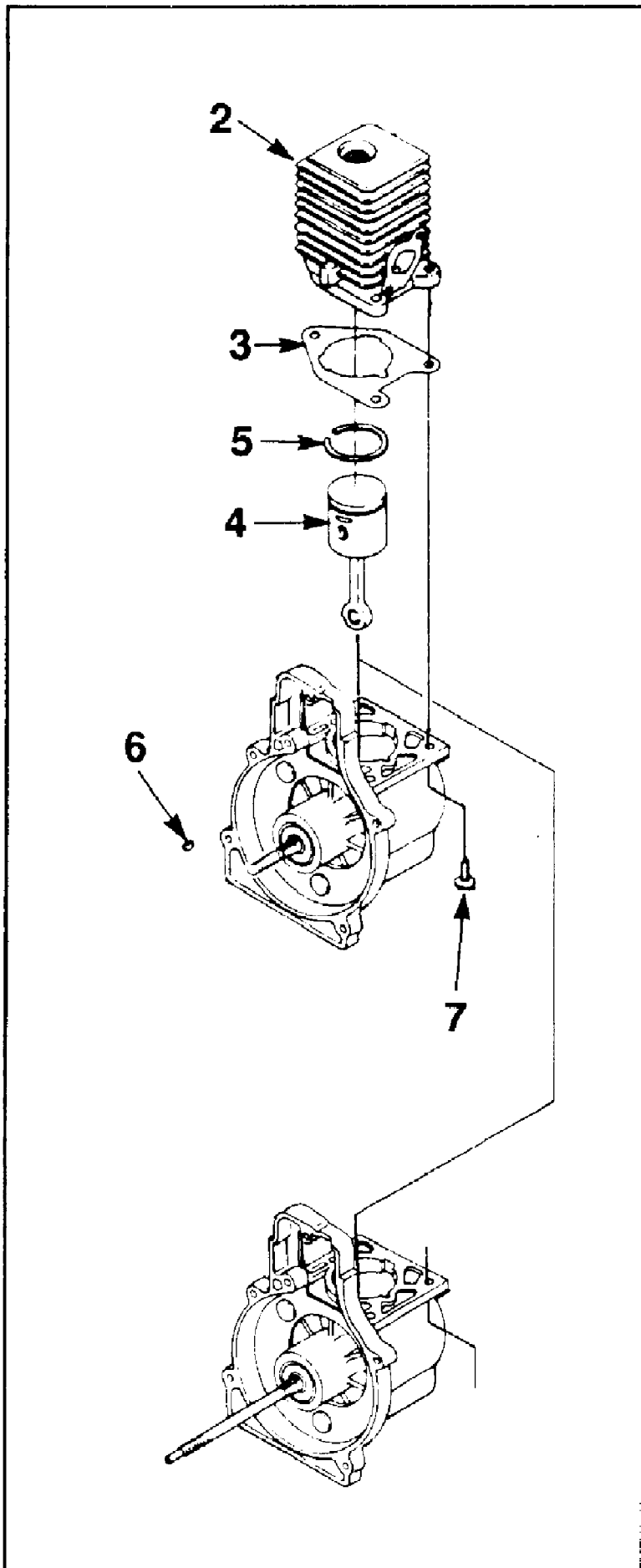
Ref #	Part Number	Qty	S/P/F	Description
49	A03001	1	S	STRING HEAD COMPLETE (.080 Line) (ST-185BC)
	A04591	1	S	STRING HEAD COMPLETE (.095 Line) (HBC-18)

HBC18 String Trimmer UT-15075-1  
Engine Peripherals



Ref #	Part Number	Qty	S/P/F	Description
1	A01123	1	S	MUFFLER- Complete
2	88060	2	S/P	SCREW- Sems Hex Hd (10-24 X 2 1/2")
3	A98780	1	S	COVER- Muffler
4	98782	1	S	BAFFLE- Muffler
5	98784A	1		SCREEN- Spark
6	98860A	2	S	SPACER- Muffler
7	98783	1	/P	PLATE- Reinforcing
8	A01323	1	S	BODY- Muffler
9	98786B	1		GASKET- Muffler
	A04446	1	S	IGNITION KIT
10	96169S	1	S	SPARK PLUG (DJ7Y)
11	94711CS	1	/P	MODULE- Ignition
12	A33055	1	/P	TERMINAL- High-Tension
13	A00681	1		LEAD-Electrical (ST-185BC, GST-BC, ST-285BC, ST-385BC, HBC-18, HBC-30)
14	A98809	1	S	LEAD-Electrical (ST-155,SX-135,ST-175G,HLT-15,ST-275,GS
15		1		SHORT BLOCK See Short Block diagram for correct Short Block.
16	82540	2	/P	SCREW- Taptite (8-32 X 1")
17	A00856	1	S	ROTOR KIT (ST-185BC, GST-BC
18	A70285E	1	/P	KIT- Starter Pawl
19	95479A	1	/P	WASHER- Flat
20	035662	1	S	SPACER
17	A00857	1	S	ROTOR KIT (ST-285BC, ST-385BC, HBC-18, HBC-30)
18	A70285E	1	/P	KIT- Starter Pawl
19	95479A	1	/P	WASHER- Flat
20	035661	1	S	SPACER
17	A04158	1	S	ROTOR KIT (ST-155, SX-135,ST-175G,HLT-15,ST-275,GST,HGT,HI
18	A70285E	1	/P	KIT- Starter Pawl
19	84065	1	S	WASHER- Flat (5/16") (ST-155,SX-135,ST-175G,HLT-15,ST-275,HLT
21	98795A	1	/P	CONNECTOR- Drive (ST-155,SX-135,ST-175G,HLT-15,ST-275,GS
	A01083A	1	S	COMPLETE STARTER ASSEMBLY
22	82541	4	/P	SCREW- Plastite (#10 X 1/2")
23	98791	1	/P	BRACKET- Retaining
24	9789902	1	S/P	ROPE- Starter (42")
25	A98773	1		SPRING & CONTAINER
26	98770	1		PULLEY- Starter
27	02264	1	S	GRIP- Starter
28	A02575C	1	S	HOUSING- Engine (ST 155,SX-135,ST-175G,HLT-15,ST-275,GST,HC
28	A02576C	1	S	HOUSING-Engine (ST-185BC,GST-BC,ST-285BC,ST-385BC,HB
29	82522	1		SCREW- Pan Hd. (#10 X 3/8")
30	98802A	1	S	CLAMP

Ref #	Part Number	Qty	S/P/F	Description
31	82268	1		SCREW- Hex Sems (10-24 X 3/8")
32	97574	1		NUT- Square
33	98929A	1	S/P	WASHER- Clutch (ST-185BC, GST-BC, ST-285BC, ST-385BC, HBC-18, HBC-30)
34	00242	1	/P	CLUTCH (ST-185BC, GST-BC) (ST-285BC, ST-385BC, HBC-18, HBC-30)
35	A02727	1	S	CONNECTOR & DRUM (ST-185BC, GST-BC)
	A03485A	1	S	CONNECTOR & DRUM (ST-285BC, ST-385BC, HBC-18, HBC-30)
36	A02396A	1	/P	TUBE ADAPTOR (ST-185BC, GST-BC, ST-285BC, ST-385BC, HBC-18, HBC-30)
37	88054	1	S	SCREW- Sems Hex Hd (10 24 X 1 1/4")
38	81208	1	/P	NUT (10-24)
39	88052	4	/P	SCREW- Sems Hex Hd (10-24 X 7/8")
40	82538	7	/P	SCREW- Taptite (10-24 X 3/4")
41	A98919A	1	S	LEAD- Ground
42	02851	1	/P	TERMINAL
43	A98808	1		BRACKET Cable
44	A04447	1	S	TANK- Fuel
45	49422	1	S	FILTER- Fuel
46	0143932	1	S/P	TUBING- Rubber (8")
47	9477232	1	S	TUBING- Rubber (8")
48	98268	1	S/P	CLAMP- Wire
49	A00982A	1		FUEL CAP
50	98792	3	/P	BUMPER- Rubber
51	A04449	1	S	AIR FILTER BOX
52	D98760A	1		FILTER- Air
53	82542	2	/P	SCREW (10-24 X 2 1/4")
54	98769	1	/P	BUTTON- Switch
55	95020	1	S	SPRING- Compression
56	93923	1	S	SCREW- Plastite (#6)
57	A04445	1	S	CARBURETOR KIT
58	98766A	1	S/P	GASKET Carburetor
59	825491	2	S	SCREW- Taptite (10-24 X 1")
60	98768	1	S	HEAT DAM
61	81208	2	/P	NUT (10-24)
62	98765B	1	/P	GASKET- Heat Dam
63	A00858	1	/P	CRANKCASE COVER
64	98767A	1	/P	GASKET- Crankcase Cover
65	A00254	1	S	WIRE GUARD KIT
66	88049	2	/P	SCREW- Hex Sems (10-24 X 1/2")
67	81208	2	/P	NUT (10-24)



Ref #	Part Number	Qty	S/P/F	Description
1	A04742	1	S	SHORT BLOCK (25 CC Non-Clutch)
	A04743	1	S	SHORT BLOCK (25 CC w/Clutch)
	A00412	1		SHORT BLOCK (30 CC Non-Clutch)
	A00411	1		SHORT BLOCK (30 CC w/Clutch)
2	A03259	1	S	CYLINDER & GASKET (25 CC Non-Clutch)
	A03259	1	S	CYLINDER & GASKET (25 CC w/Clutch)
	A03785A	1	S	CYLINDER & GASKET (30 CC Non-Clutch)
	A03785A	1	S	CYLINDER & GASKET (30 CC w/Clutch)
3	04388	1	S	GASKET-Cylinder (25 CC Non-Clutch)
	04388	1	S	GASKET-Cylinder (25 CC w/Clutch)
	03703A	1	S	GASKET-Cylinder (30 CC Non-Clutch)
	03703A	1	S	GASKET-Cylinder (30 CC w/Clutch)
4	A04258	1	S	PISTON & ROD (25 CC Non-Clutch)
	A04258	1	S	PISTON & ROD (25 CC w/Clutch)
	A03705	1		PISTON & ROD (30 CC Non-Clutch)
	A03705	1		PISTON & ROD (30 CC w/Clutch)
5	96935	1	S	RING-Piston (25 CC Non-Clutch)
	96935	1	S	RING-Piston (25 CC w/Clutch)
	03179	2	/P	RING-Piston (30 CC Non-Clutch)
	03179	2	/P	RING-Piston (30 CC w/Clutch)
6	69250	1	/P	KEY-Woodruff (25 CC Non-Clutch)
	69250	1	/P	KEY-Woodruff (25 CC w/Clutch)
	69250	1	/P	KEY-Woodruff (30 CC Non-Clutch)
	69250	1	/P	KEY-Woodruff (30 CC w/Clutch)
7	82568	3	S	SCREW-Torx Pan Hd. (10-24 X 3/4") (25 CC Non-Clutch)
	82568	3	S	SCREW-Torx Pan Hd. (10-24 X 3/4") (25 CC w/Clutch)
	82569	3	S	SCREW-Torx Pan Hd. (10-24 X 3/4") (30 CC Non-Clutch)
	82569	3	S	SCREW-Torx Pan Hd. (10-24 X 3/4") (30 CC w/Clutch)



### ACCESSORIES

**SAW BLADE.....D-98935-A**  
(ST-185BC, GST-BC, ST-285BC,  
ST-385BC, HBC-18, HBC-30)

**GREASE, MULTI-PURPOSE....18453**

**MACHETE BLADE.....DA-00714-A**  
(ST-185BC, GST-BC, ST-285BC,  
ST-385BC, HBC-18, HBC-30)

**THREAD LOCKING COMPOUND..23488-C**

**MODULE AIR GAP SHIM.....24306**

**GRASS ANTI WRAP KIT....A-04191**  
(ST-155, SX-135, ST-175G, HLT-15,  
GST, HGT, HLT-16, HLT-18)

**IGNITION TEST SPARK PLUG..JA-31316-4**

**RUBBER TUBING (10 ft.)....94772-99**

**STARTER ROPE (250 ft. Reel)..98052-A**

**REPLACEMENT STRING (3 lb. Box)..98011-06**  
(.080" Dia.)

**REPLACEMENT STRING (3 lb Box)..03959-04**  
(.095" Dia.)

**TORX BIT (T25).....24982-03**  
(for clutch drums)

**TORX BIT (T27).....18566-01**

**STRINGHEAD- Complete.....A-03001**  
(.080 Line) (Right Hand Thread) (Black  
Retainer) (ST-155, SX-135, ST-175G, HLT-15,  
GST-18, HGT, ST-185BC, ST-275, ST-285BC,  
GST-BC).

**STRINGHEAD- Complete.....A-03174**  
(.095 Line) (Left Hand Thread) (Red Retainer)  
(HLT-28, ST-385BC, HBC-30)

**STRINGHEAD- Complete.....A-04591**  
(.095 Line) (Right Hand Thread) (Black  
Retainer) (HLT-16, HLT-18, HBC-18)

**STRINGHEAD- Complete.....A-04592**  
(.080 Line) (Left Hand Thread) (Red Retainer)  
(ST-275, ST-285BC, GST-BC)

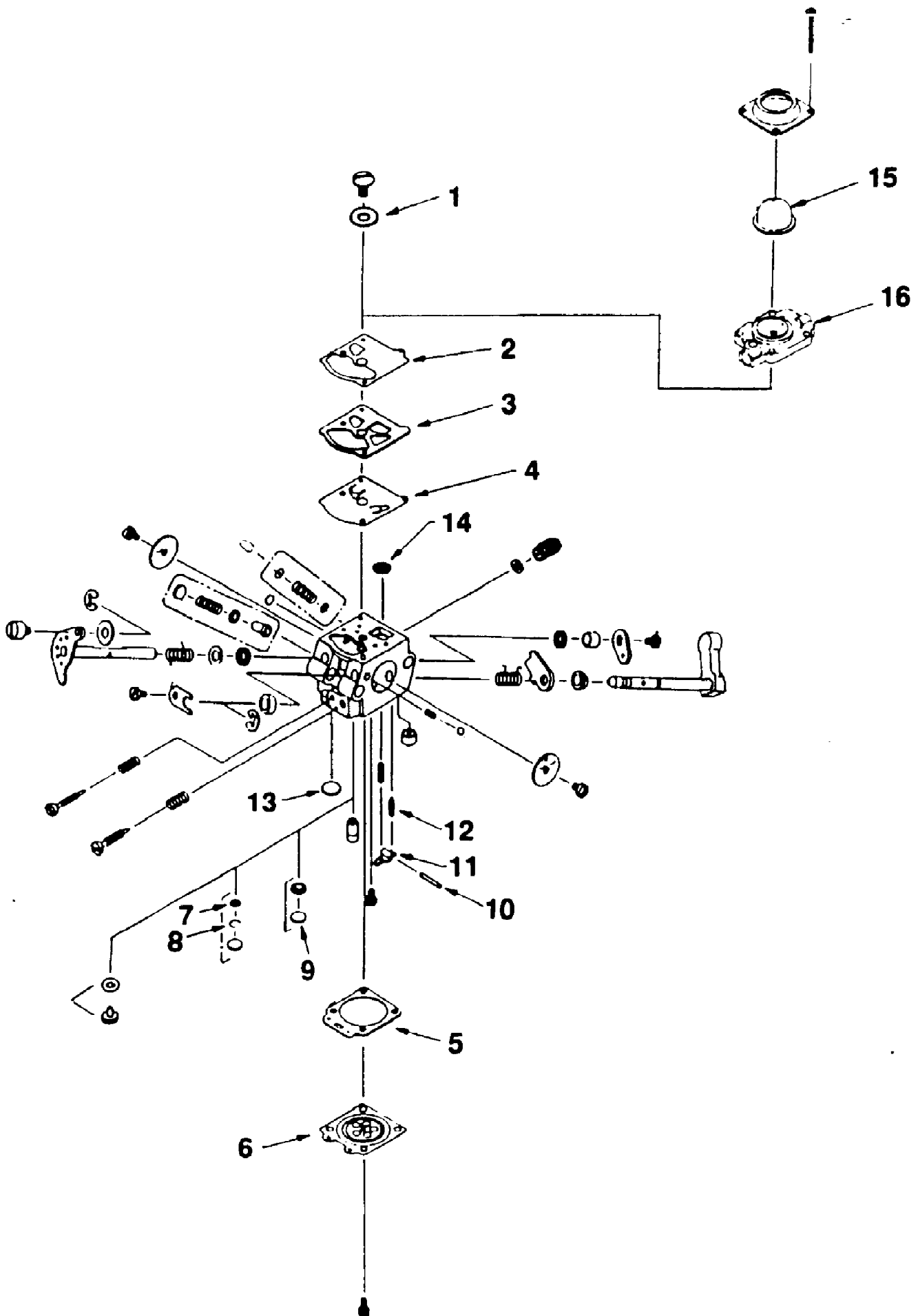
### CLUTCH MODELS

ST-185BC  
ST-285BC  
ST-385BC  
GST-BC  
HBC-18  
HBC-30

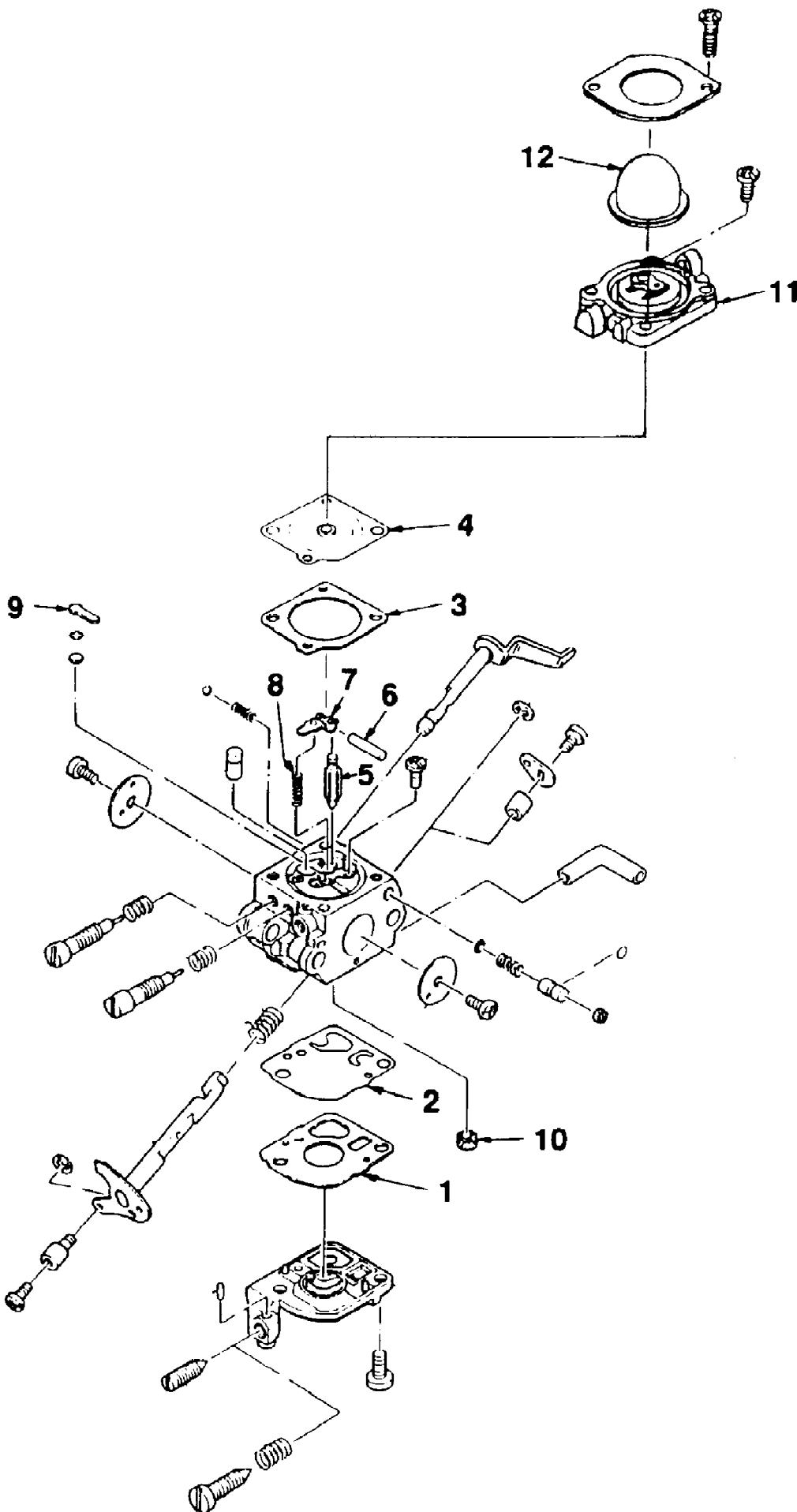
### NON-CLUTCH MODELS

ST-155                   HGT  
SX-135                  HLT-15  
ST-175G                 HLT-16  
ST-275                  HLT-18  
GST                      HLT-28

Ref #	Part Number	Qty	S/P/F	Description
D-98935-A	D98935A	1		SAW BLADE (ST-185BC, GST-BC, ST-285BC, ST-385BC, HBC-18, HBC-30)
18453	18453	1	/P	GREASE, MULTI-PURPOSE
DA-00714-A	DA00714A	1		MACHETE BLADE (ST-185BC,GST-BC,ST-285BC,ST-385BC,HB)
23488C	23488C	1		THREAD LOCKING COMPOUND
24306	24306	1	S	MODULE AIR GAP SHIM
A-04191	A04191	1		GRASS ANTI WRAP KIT (ST-155,SX-135,ST-175G,HLT-15,GST,HGT,H
JA313164	JA313164	1		IGNITION TEST SPARK PLUG
9477299	9477299	1	/P	RUBBER TUBING (10 ft.)
98052-A	98052A	1	/P	STARTER ROPE (250 ft. Reel)
98011-06	9801106	1		REPLACEMENT STRING (3 lb. Box) (.080" Dia.)
03959-04	0395904	1		REPLACEMENT STRING (3 lb. Box) (.095" Dia.)
24982-03	2498203	1	S	TORX BIT (T25) (for clutch drums)
18566-01	1856601	1	/P	TORX BIT (T27)
A-03001	A03001	1	S	STRINGHEAD-Complete (.080 Line)(Right Hand Thread)(Black Retainer)(ST
A-03174	A03174	1		STRINGHEAD-Complete (.095 Line)(Left Hand Thread)(Red Retainer)(HLT-2
A-04591	A04591	1	S	STRINGHEAD-Complete (.095 Line)(Right Hand Thread)(Black Retainer)(HL
A-04592	A04592	1	S	STRINGHEAD-Complete (.080 Line)(Left Hand Thread)(Red Retainer)(ST-27



Ref #	Part Number	Qty	S/P/F	Description
1	A02665	1		Repair Kit
2	A02665	1		Repair Kit
	A00285A	1		Gasket/Diaphragm Kit
3	A02665	1		Repair Kit
	A00285A	1		Gasket/Diaphragm Kit
4	A02665	1		Repair Kit
	A00285A	1		Gasket/Diaphragm Kit
5	A02665	1		Repair Kit
	A00285A	1		Gasket/Diaphragm Kit
6	A02665	1		Repair Kit
	A00285A	1		Gasket/Diaphragm Kit
7	A02665	1		Repair Kit
8	A02665	1		Repair Kit
9	A02665	1		Repair Kit
10	A02665	1		Repair Kit
11	A02665	1		Repair Kit
12	A02665	1		Repair Kit
13	A02665	1		Repair Kit
14	A02665	1		Repair Kit
15	01201	1	S	Primer Bulb
16	A01200A	1		Primer Base
	03176	1		Choke Shaft & Lever



HBC18 String Trimmer UT-15075-1  
Zama Carburetor

Page 14 of 14

Ref #	Part Number	Qty	S/P/F	Description
1	A03979	1		Repair Kit
	A03980	1		Gasket/Diaphragm Kit
2	A03979	1		Repair Kit
	A03980	1		Gasket/Diaphragm Kit
3	A03979	1		Repair Kit
	A03980	1		Gasket/Diaphragm Kit
4	A03979	1		Repair Kit
	A03980	1		Gasket/Diaphragm Kit
5	A03979	1		Repair Kit
6	A03979	1		Repair Kit
7	A03979	1		Repair Kit
8	A03979	1		Repair Kit
9	A03979	1		Repair Kit
10	A03979	1		Repair Kit
11	A03062	1		Primer Base
12	A01195A	1	S	Primer Bulb
		1		Choke Shaft & Lever