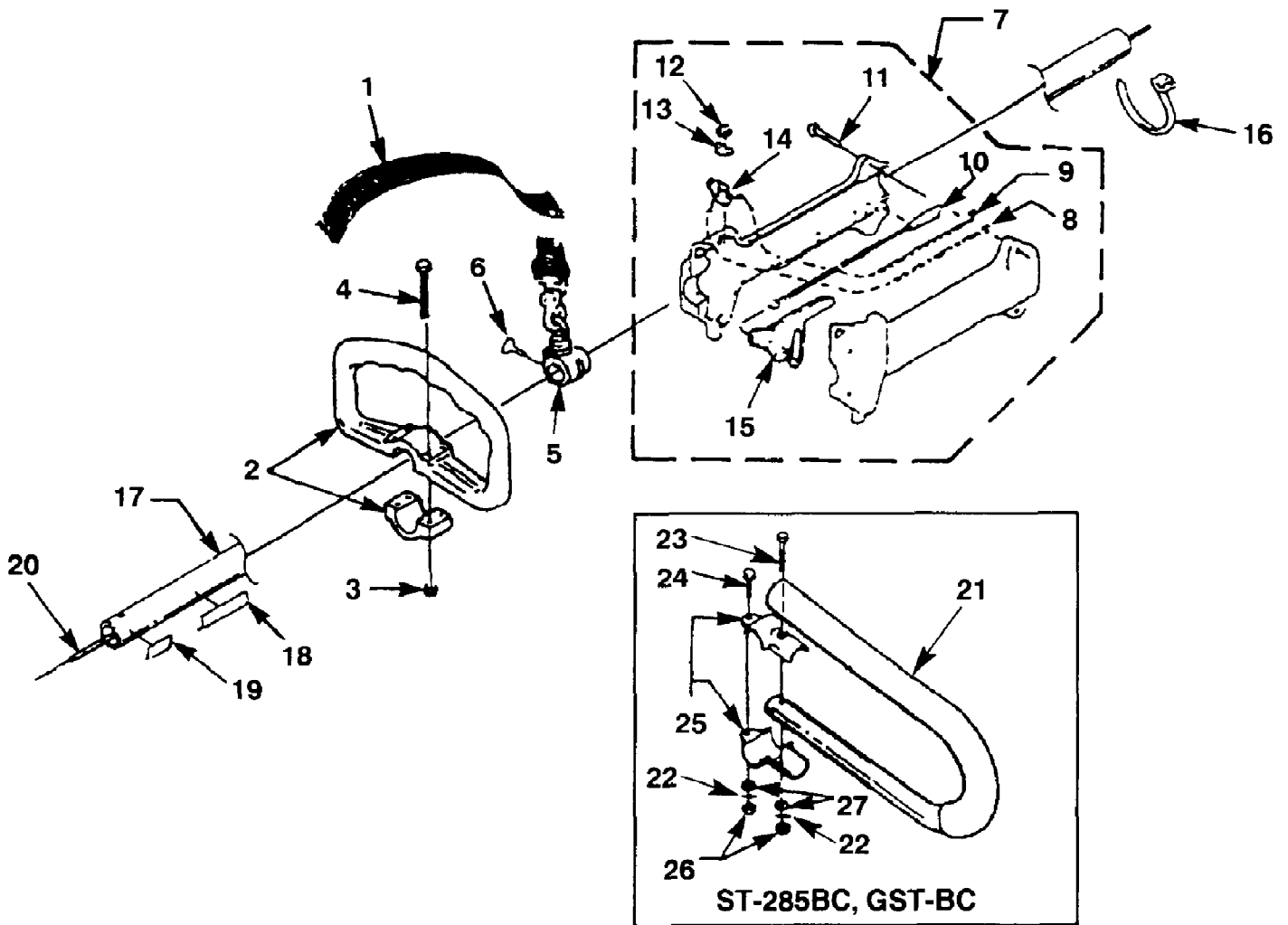


GSTBC String Trimmer UT-15084-B
Boom & Head

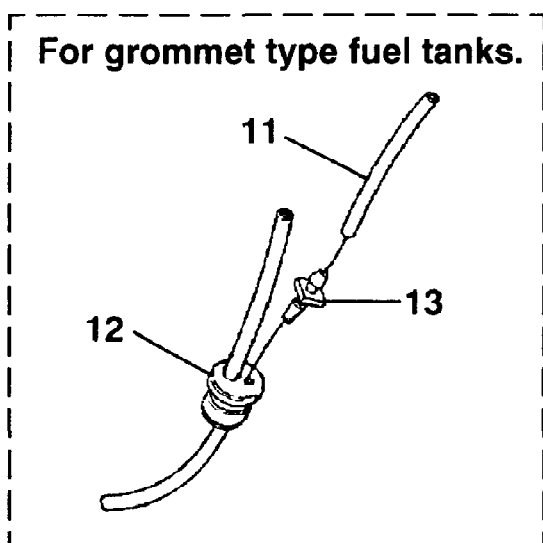
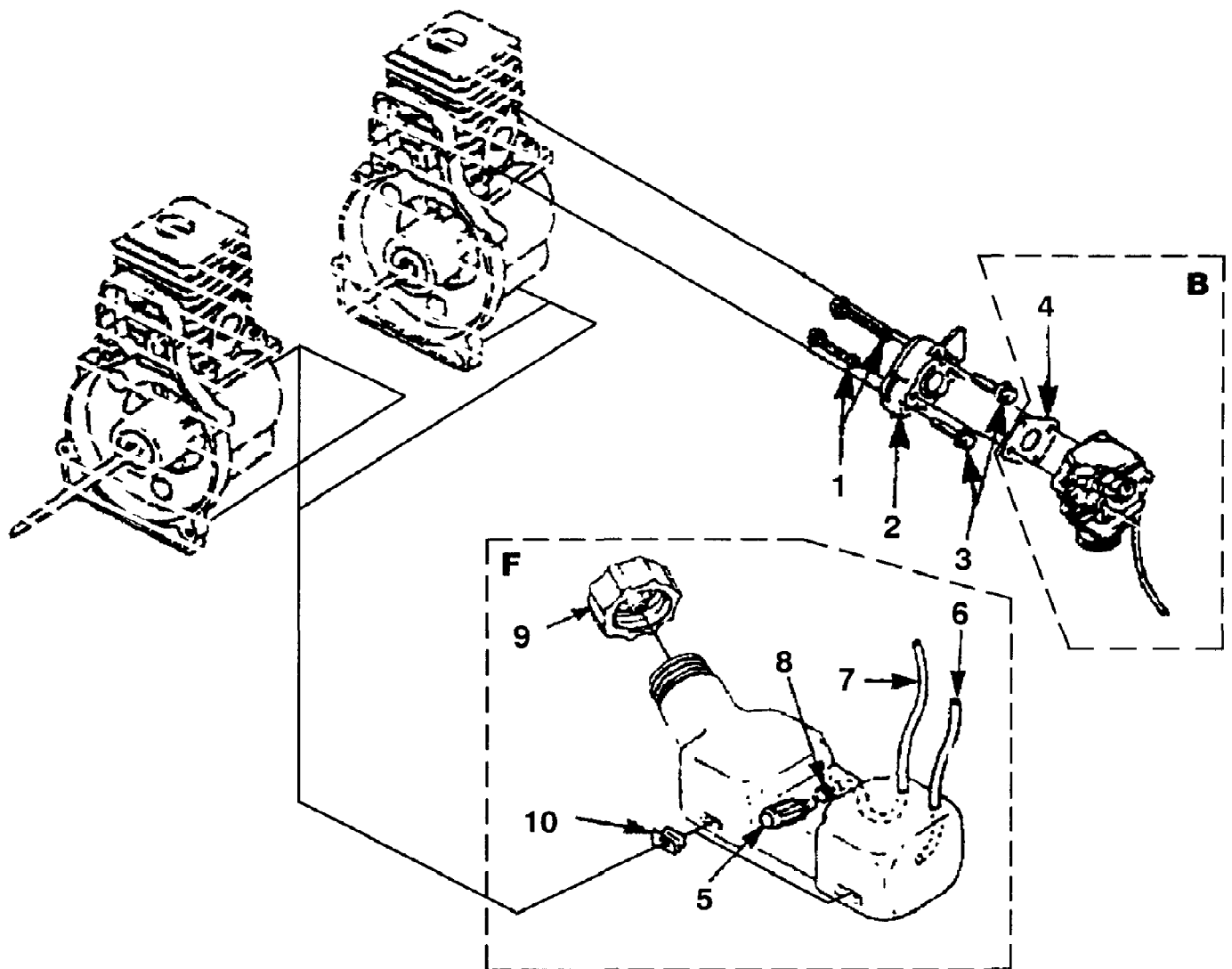
Page 2 of 28

Ref #	Part Number	Qty	S/P/F	Description
1	95110C	1		HANDLE-Front (ST-275, HLT-28)
2	80295	1	/P	SCREW-Hex Hd. (1/4-20 X 2")
3	93992	1	/P	NUT-Wing (1/4-20)
4	A00101A	1		HANDLE GRIP ASSEMBLY (ST-275, HLT-28)
5	98772A	1	S	TRIGGER
6	A03006	1	/P	CABLE-Throtte
7	82368	5	S	SCREW-Plastite (8 X 3/4")
8	A039111	1		HANDLE GRIP ASSEMBLY (ST-285BC, GST-BC)
9	98772A	1	S	TRIGGER
10	72084A1	1	S	NUT
11	95231	1	S	PLATE-Indicating
12	93653	1	S	SWITCH-Toggle
13	82368	5	S	SCREW-Plastite (8 X 3/4")
14	A03006	1	/P	CABLE-Throttle
15	A03912	1	S	LEAD-Electrical
16	A98919A	1	S	LEAD-Ground
17	A04379A	1	S	HOUSING-Drive Shaft (Black)
18	98818	1	/P	SHAFT-Flexible
19	04458	1	S	DECAL-Starting Instructions
20	04154	1		DECAL-Warning
21	A04151	1	S	GEAR HEAD ASSEMBLY (ST-275 UT-20594-1A, HLT-28, ST-285BC, GST-BC)
	A04316	1	S	GEAR HEAD ASSEMBLY (ST-275 UT-20594-2A)
22	88048	4	S	SCREW-Hex Hd. (10-24 X 3/8")
23	82568	1	S	SCREW-Pan Hd. (1/4-20 X 7/8")
24	80869	2	/P	SCREW-Mach. Hex Hd. (10-24 X 3/8")
25	988461	1		DEFLECTOR-Grass
26	02949	1	S	BLADE-Cut-Off (HLT-28)
	00074	1	S	BLADE-Cut-Off (ST-275 UT-20594-2A)
	00075	1	S	BLADE-Cut-Off (ST-275 UT-20594-1A) (ST-285BC, GST-BC)
27	81208	2	/P	NUT (10-24)
28	04168	1		WASHER-Flange
29	9855141	1	/P	ADAPTER-Shaft
30	A98231A	1	S/P	HOUSING & EYELET (Dual Line)
31	98848	1	S	SPRING-Compression
32	DA98912C	1		SPOOL & STRING (Dual Line) (ST-275, ST-285BC, GST-BC)
	DA02598A	1		SPOOL & STRING (Dual Line) (HLT-28)
33	9801105	1		LINE-Replacement (ST-275, ST-285BC, GST-BC) (.080" Dia, 1 lb. Box)
	0395903	1	S	LINE-Replacement (HLT-28) (.095" Dia., 1 lb. Box)
34	A97910A	1	S/P	RETAINER-Spool (L.H.Thread) (Red)
	DA98866A	1	S	RETAINER-Spool (R.H.Thread) (Black)
35	D98717A	1	S	TRI-ARC BLADE (ST-285BC, GST-BC)

Ref #	Part Number	Qty	S/P/F	Description
36	04259	1	/P	WASHER-Flanged (ST-285BC, GST-BC)
37	04277	1	/P	NUT-Hex (L.H.) (ST-285BC, GST-BC)
38	988472	1	/P	GUARD-Blade (ST-285BC, GST-BC)
39	A03552	1	S	HANDLE BAR ("J") (ST-285BC, GST-BC)
40	94474B	1	/P	GRIP
41	88071	1		SCREW-Hex Hd (1/4-20 X 1 1/2")
42	88078	1	/P	SCREW-Hex Hd (1/4-20 X 1
43	00422	1	S/P	CLAMP-Handle Bar
44	83061	1	/P	WASHER (1/4") 2
45	81267	1	/P	NUT (1/4-20) 2
46	A03001	1	S	STRINGHEAD COMPLETE(.080 Line)(ST-275,ST-285BC,GST)(R.H. Thread,Black)
	A03174	1		STRINGHEAD COMPLETE(.095 Line) (HLT-28) (L.H. Thread, Black Retainer)
	A04592	1	S	STRINGHEAD COMPLETE(.080 Line) (ST 275,ST285BC,GST-BC)(L.H. Thread,Bl
	98818	1	/P	FLEX SHAFT Must be instaled when gearhead is replaced.



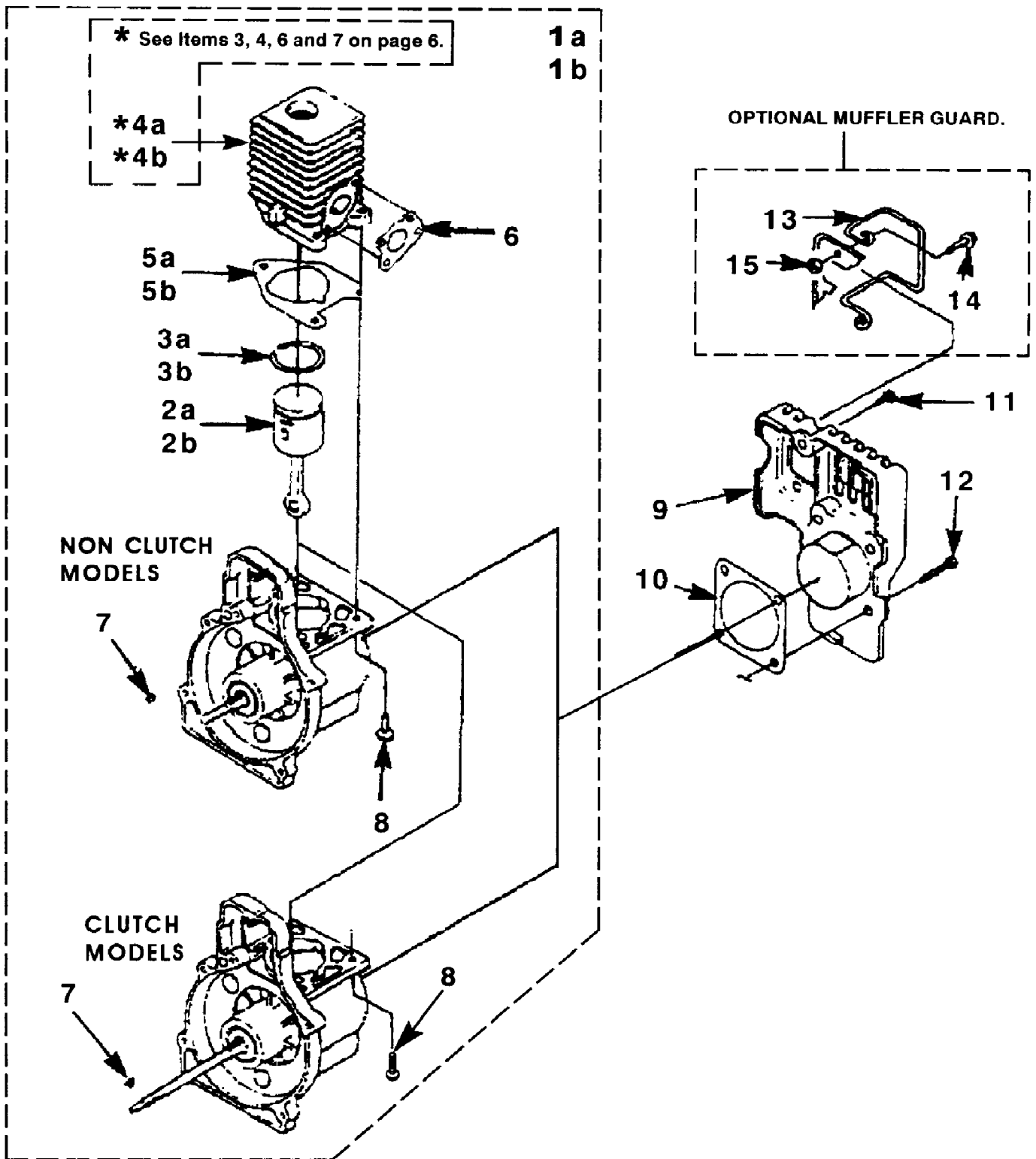
Ref #	Part Number	Qty	S/P/F	Description
1	DA92703C	1	S	HARNESS w/Connector ST385-BC, HBC-28
2	A00736	1		HANDLE KIT - Front ST385-BC, HBC-28
3	00677	4	/P	NUT - Hex (M5 X 0.8)
4	00676	4	/P	SCREW - Hex Hd (M5 X 0.8 X 35)
5	A94442	1	/P	BRACKET - Hanger ST385-BC, HBC-28
6	82260	1	/P	SCREW - Thumb (10-24 X 1/2")
7	A039111	1		HANDLE GRIP ASSEMBLY
8	A98919A	1	S	LEAD - Ground
9	A03912	1	S	LEAD - Electrical
10	A03006	1	/P	THROTTLE CABLE
11	82368	5	S	SCREW - Plastite (8 X 3/4") Torque Specs. 15-25 In/Lbs, 1.7-2.8 Nm
12	72084A1	1	S	NUT - Hex Lock
13	95231	1	S	PLATE - Indicating
14	93653	1	S	SWITCH - Toggle
15	08833	1	S	TRIGGER ST285-BC, GST-BC
16	46840	1	/P	CABLE TIE
17	A03800A	1	S	HOUSING - Drive Shaft ST385-BC
18	04458	1	S	DECAL - Starting Instructions
19	04493	1	/P	DECAL - Safety
20	98832	1	/P	DRIVE SHAFT
17	A04863	1		HOUSING - Drive Shaft HBC-28, ST285-BC, GST-BC
18	04458	1	S	DECAL - Starting Instructions
19	02985	1	S	DECAL - Warning
20	98818	1	/P	SHAFT - Flexible
21	A07159	1	S	J-HANDLE BAR KIT ST285-BC, GST-BC
22	83009	2	/P	Washer - Lock
23	82278	1	/P	SCREW - Hex Hd (1/4-20 X 1/2") Torque Specs. 75-85 In/Lbs, 8.5-9.6 Nm
24	82496	1	/P	SCREW - Hex Hd (1/4-20 X 1") Torque Specs. 75-85 In/Lbs, 8.5-9.6 Nm
25	00422	1	S/P	CLAMP - Handle Bar ST285-BC, GST-BC
26	81242	2	/P	NUT - Hex (1/4-20)
27	84004	2	/P	WASHER - Flat



GSTBC String Trimmer UT-15084-B
Carburetor - Fuel Tank

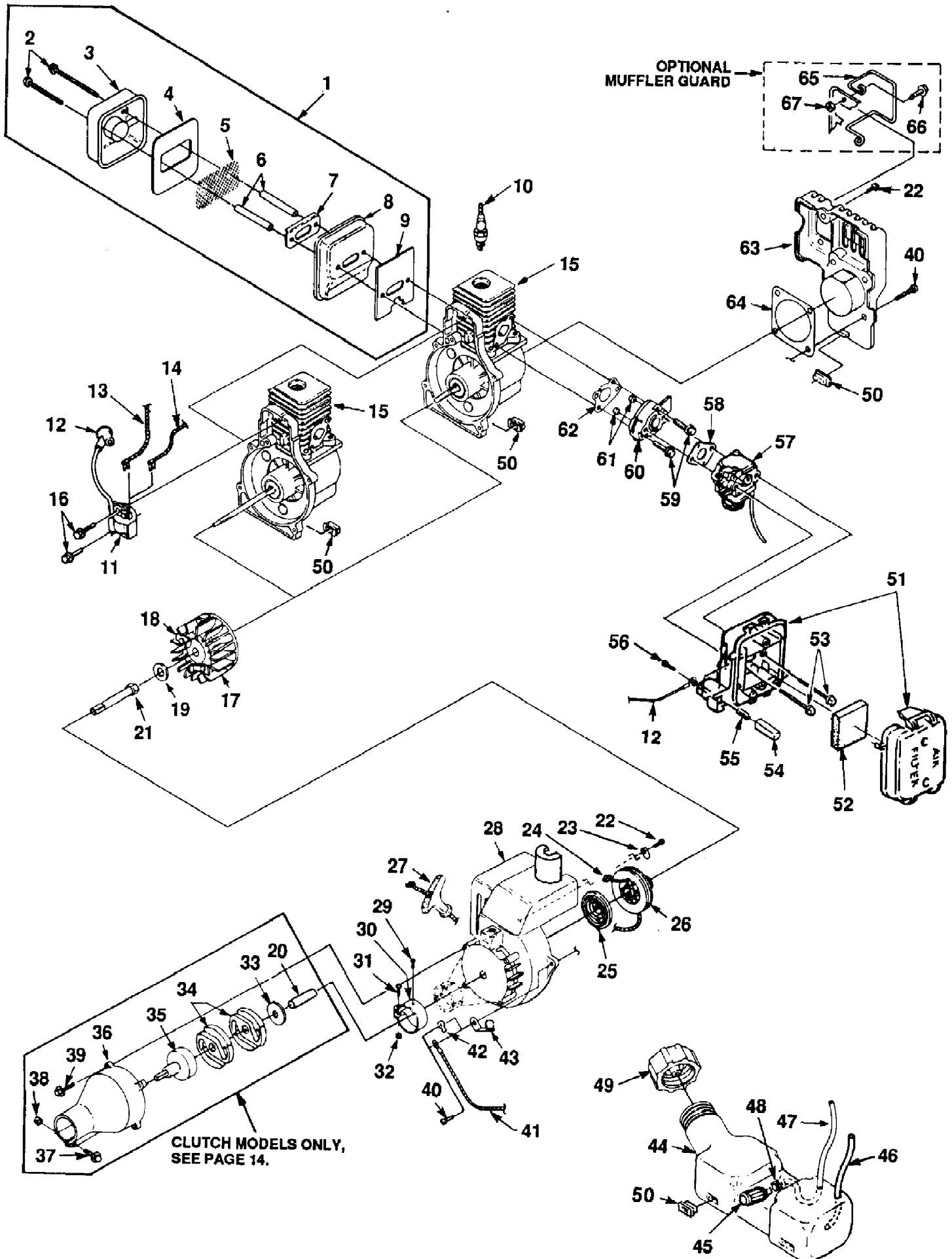
Page 7 of 28

Ref #	Part Number	Qty	S/P/F	Description
1	04474	2	/P	SCREW - Machine (10-24 X 2-1/4") Torque Specs. 30-40 In/Lbs, 3.4-4.5 Nm
2	98768	1	S	HEAT DAM
3	825491	2	S	SCREW - Taptite (10-24 X 1") Torque Specs. 40-50 In/Lbs, 4.5-5.6 Nm, Red 262 Required Loctite
B	A04445A	1	/P	CARBURETOR KIT
4	98766A	1	S/P	GASKET - Carburetor
F	A04447C	1	S	FUEL TANK
5	49422	1	S	FILTER Fuel
6	0143932	1	S/P	TUBING - Rubber (8")
7	9477232	1	S	TUBING - Rubber (8")
8	98268	1	S/P	CLAMP - Wire
9	A00982B	1	S	FUEL CAP
10	98792	3	/P	BUMPER - Rubber
11	0143916	1	/P	TUBING - Rubber (3 X 3/4")
12	07469	1		GROMMET w/Tubing
13	02067	1	/P	FITTING - Fuel



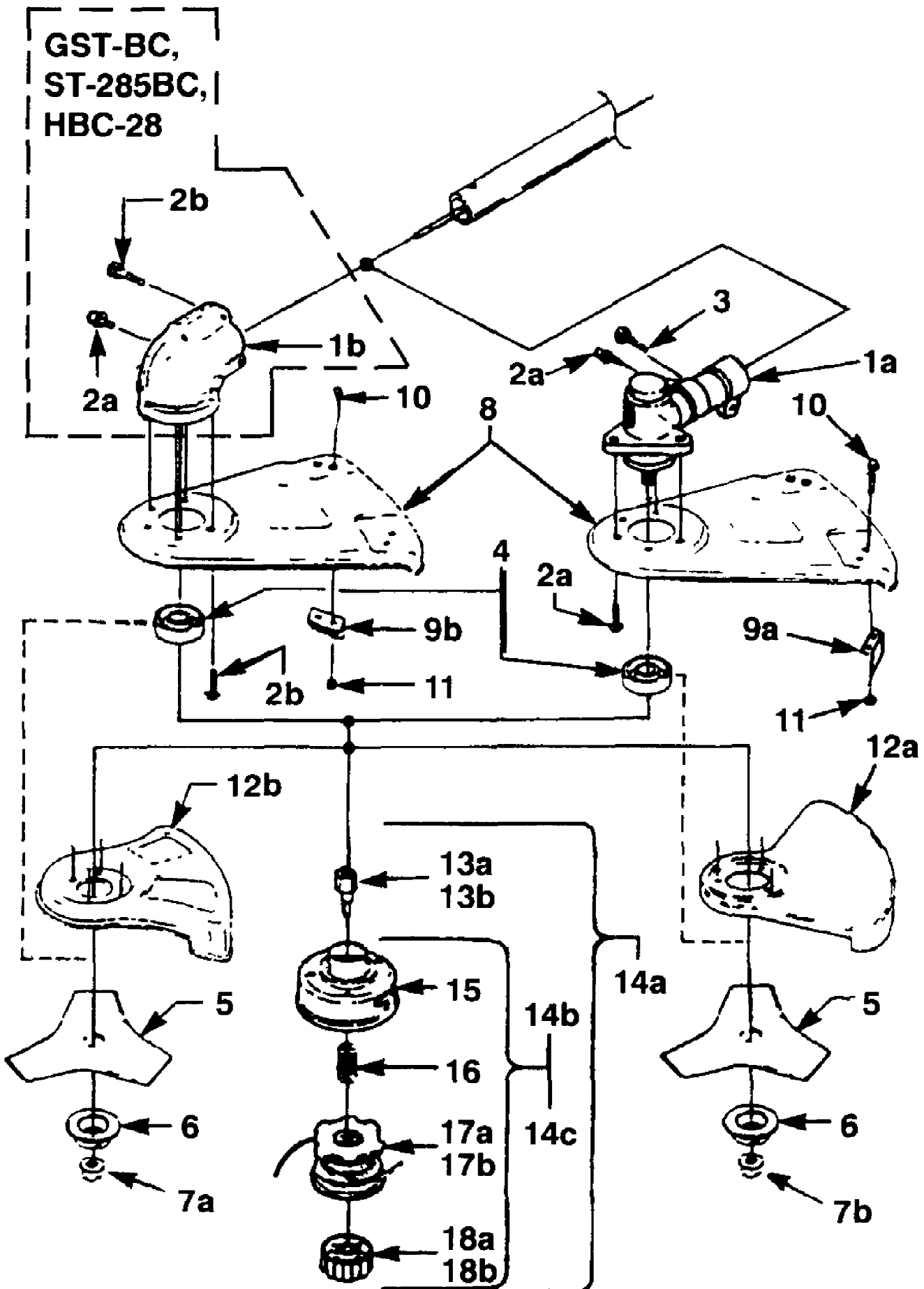
Ref #	Part Number	Qty	S/P/F	Description
1a	A07134	1	S	SHORT BLOCK (30CC Non Clutch) Short Blocks Include Items 2a-8
1b	A07135	1	S	SHORT BLOCK (30CC Clutch) Short Blocks Include Items 2a-8
2a	A03599	1	S	30CC PISTON & ROD
3a	03179	2	/P	RING - Piston
4a	A09058	1	S	30CC CYLINDER KIT
5a	04388B	1	S/P	GASKET - Cylinder
6	08840	1	/P	GASKET - Heat Dam
7	69250	1	/P	KEY - Woodruff
8	825691	3	/P	SCREW - Thread Forming (10-24 X 3/4") Torque Specs. 55-65 In/Lbs, 6.2-7.3 Nm, Red 262 Required Loctite
?1c	A09055	1	S	SHORT BLOCK (25CC Non Clutch) Short Blocks Include Items 2b-8
?1d	A09056	1	S	SHORT BLOCK (25CC Clutch) Short Blocks Include Items 2b-8
2b	A07314	1	S	25CC PISTON & ROD
3b	96935	1	S	RING - Piston
4b	A07145	1	S	25CC CYLINDER KIT
5b	04388B	1	S/P	GASKET - Cylinder
6	08840	1	/P	GASKET - Heat Dam
7	69250	1	/P	KEY - Woodruff
8	825691	3	/P	SCREW - Thread Forming (10-24 X 3/4")
9	A00858	1	/P	CRANKCASE COVER
10	98767A	1	/P	GASKET - Crankcase Cover
11	82541	2	/P	SCREW - Plastite (#10 X 1/2") Torque Specs 30-40 In/Lbs, 3.4-4.5 Nm
12	82538	4	/P	SCREW - Taptite (10-24 X 1/2") Torque Specs. 25-30 In/Lbs, 2.8-3.4 Nm, Red 262 Required Loctite
13	A00254A	1	/P	WIRE GUARD KIT
14	88049	2	/P	SCREW - Hex Sems (10-24 X 1/2") Torque Specs 40-50 In/Lbs, 4.5-5.6 Nm
15	81208	2	/P	NUT (10-24)

GSTBC String Trimmer UT-15084-B
Engine Peripherals

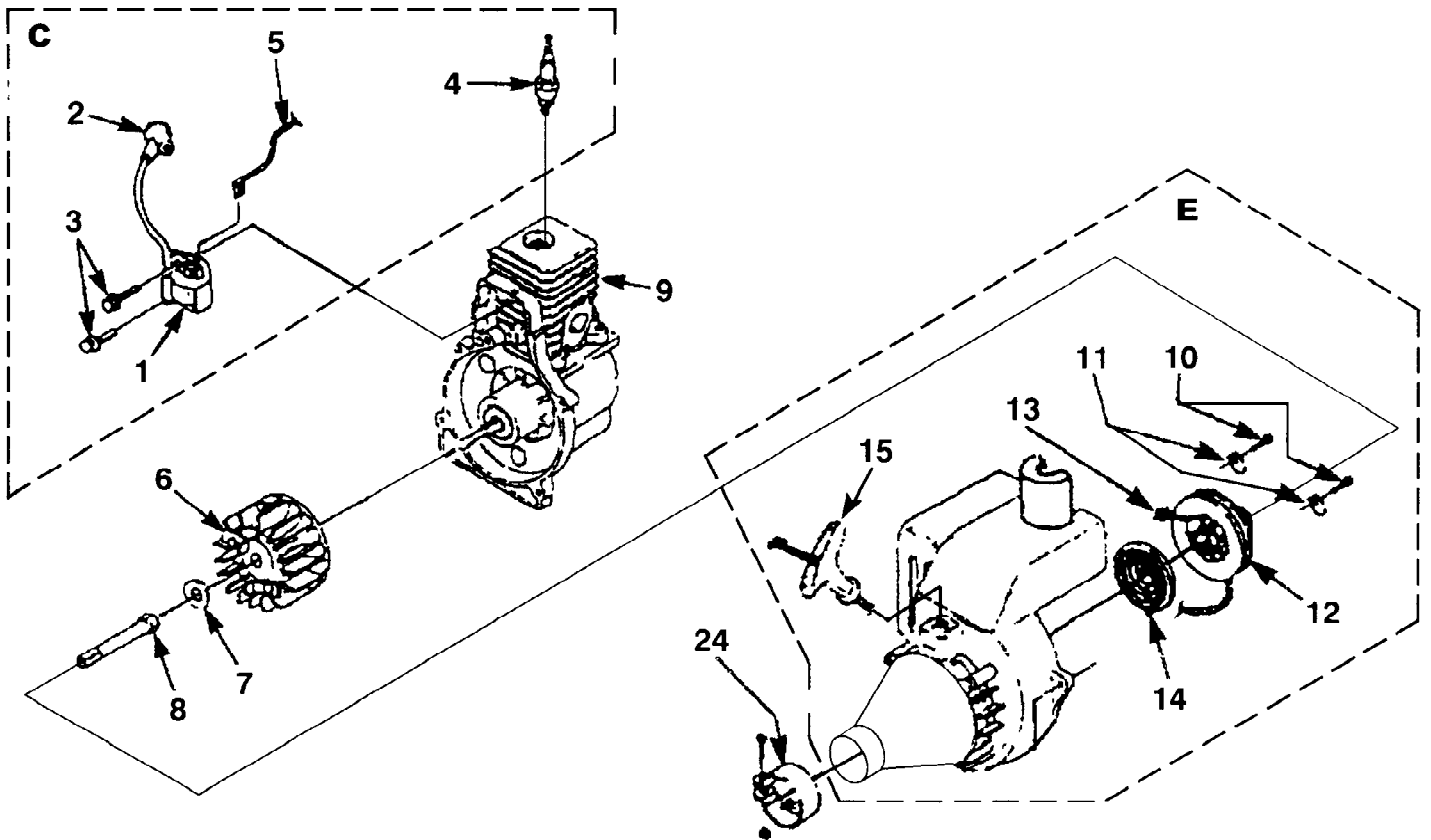


Ref #	Part Number	Qty	S/P/F	Description
1	A01123	1	S	MUFFLER- Complete
2	88060	2	S/P	SCREW- Sems Hex Hd (10-24 X 2 1/2")
3	A98780	1	S	COVER- Muffler
4	98782	1	S	BAFFLE- Muffler
5	98784A	1		SCREEN- Spark
6	98860A	2	S	SPACER- Muffler
7	98783	1	/P	PLATE- Reinforcing
8	A01323	1	S	BODY- Muffler
9	98786B	1		GASKET- Muffler
	A04446	1	S	IGNITION KIT
10	96169S	1	S	SPARK PLUG (DJ7Y)
11	94711CS	1	/P	MODULE- Ignition
12	A33055	1	/P	TERMINAL- High-Tension
13	A00681	1		LEAD-Electrical (ST-185BC, GST-BC, ST-285BC, ST-385BC, HBC-18, HBC-30)
14	A98809	1	S	LEAD-Electrical (ST-155,SX-135,ST-175G,HLT-15,ST-275,GS
15		1		SHORT BLOCK See Short Block diagram for correct Short Block.
16	82540	2	/P	SCREW- Taptite (8-32 X 1")
17	A00856	1	S	ROTOR KIT (ST-185BC, GST-BC
18	A70285E	1	/P	KIT- Starter Pawl
19	95479A	1	/P	WASHER- Flat
20	035662	1	S	SPACER
17	A00857	1	S	ROTOR KIT (ST-285BC, ST-385BC, HBC-18, HBC-30)
18	A70285E	1	/P	KIT- Starter Pawl
19	95479A	1	/P	WASHER- Flat
20	035661	1	S	SPACER
17	A04158	1	S	ROTOR KIT (ST-155, SX-135,ST-175G,HLT-15,ST-275,GST,HGT,HI
18	A70285E	1	/P	KIT- Starter Pawl
19	84065	1	S	WASHER- Flat (5/16") (ST-155,SX-135,ST-175G,HLT-15,ST-275,HLT
21	98795A	1	/P	CONNECTOR- Drive (ST-155,SX-135,ST-175G,HLT-15,ST-275,GS
	A01083A	1	S	COMPLETE STARTER ASSEMBLY
22	82541	4	/P	SCREW- Plastite (#10 X 1/2")
23	98791	1	/P	BRACKET- Retaining
24	9789902	1	S/P	ROPE- Starter (42")
25	A98773	1		SPRING & CONTAINER
26	98770	1		PULLEY- Starter
27	02264	1	S	GRIP- Starter
28	A02575C	1	S	HOUSING- Engine (ST 155,SX-135,ST-175G,HLT-15,ST-275,GST,HC
28	A02576C	1	S	HOUSING-Engine (ST-185BC,GST-BC,ST-285BC,ST-385BC,HB
29	82522	1		SCREW- Pan Hd. (#10 X 3/8")
30	98802A	1	S	CLAMP

Ref #	Part Number	Qty	S/P/F	Description
31	82268	1		SCREW- Hex Sems (10-24 X 3/8")
32	97574	1		NUT- Square
33	98929A	1	S/P	WASHER- Clutch (ST-185BC, GST-BC, ST-285BC, ST-385BC, HBC-18, HBC-30)
34	00242	1	/P	CLUTCH (ST-185BC, GST-BC) (ST-285BC, ST-385BC, HBC-18, HBC-30)
35	A02727	1	S	CONNECTOR & DRUM (ST-185BC, GST-BC)
	A03485A	1	S	CONNECTOR & DRUM (ST-285BC, ST-385BC, HBC-18, HBC-30)
36	A02396A	1	/P	TUBE ADAPTOR (ST-185BC, GST-BC, ST-285BC, ST-385BC, HBC-18, HBC-30)
37	88054	1	S	SCREW- Sems Hex Hd (10 24 X 1 1/4")
38	81208	1	/P	NUT (10-24)
39	88052	4	/P	SCREW- Sems Hex Hd (10-24 X 7/8")
40	82538	7	/P	SCREW- Taptite (10-24 X 3/4")
41	A98919A	1	S	LEAD- Ground
42	02851	1	/P	TERMINAL
43	A98808	1		BRACKET Cable
44	A04447	1	S	TANK- Fuel
45	49422	1	S	FILTER- Fuel
46	0143932	1	S/P	TUBING- Rubber (8")
47	9477232	1	S	TUBING- Rubber (8")
48	98268	1	S/P	CLAMP- Wire
49	A00982A	1		FUEL CAP
50	98792	3	/P	BUMPER- Rubber
51	A04449	1	S	AIR FILTER BOX
52	D98760A	1		FILTER- Air
53	82542	2	/P	SCREW (10-24 X 2 1/4")
54	98769	1	/P	BUTTON- Switch
55	95020	1	S	SPRING- Compression
56	93923	1	S	SCREW- Plastite (#6)
57	A04445	1	S	CARBURETOR KIT
58	98766A	1	S/P	GASKET Carburetor
59	825491	2	S	SCREW- Taptite (10-24 X 1")
60	98768	1	S	HEAT DAM
61	81208	2	/P	NUT (10-24)
62	98765B	1	/P	GASKET- Heat Dam
63	A00858	1	/P	CRANKCASE COVER
64	98767A	1	/P	GASKET- Crankcase Cover
65	A00254	1	S	WIRE GUARD KIT
66	88049	2	/P	SCREW- Hex Sems (10-24 X 1/2")
67	81208	2	/P	NUT (10-24)



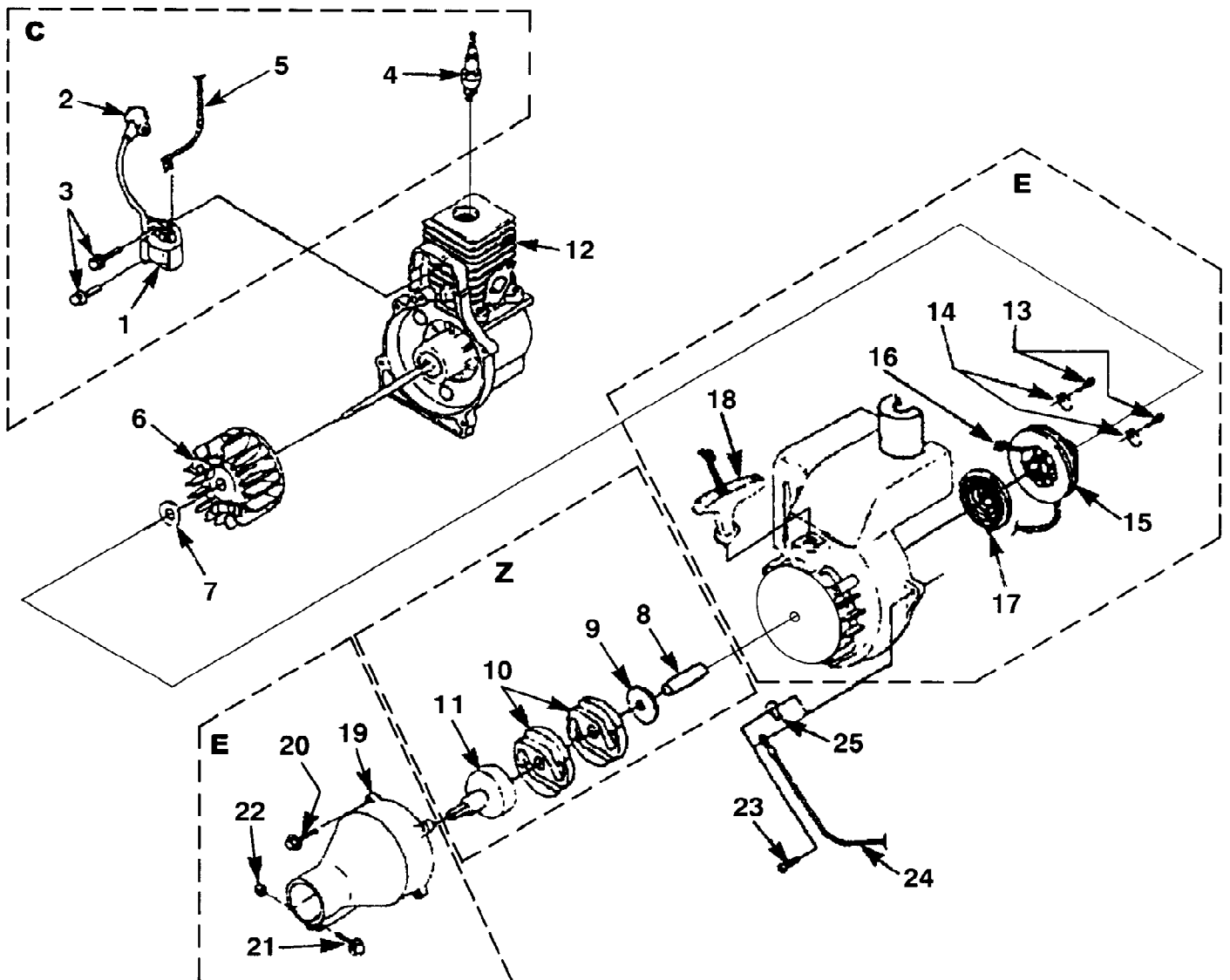
Ref #	Part Number	Qty	S/P/F	Description
1A	A03888	1	S	GEAR HEAD ST385-BC
1B	A04836C	1	S	GEAR HEAD ST285-BC, GST-BC, HBC-28; Includes Item #'s 4 and 13b.
2A	88049	2	/P	SCREW - Hex Hd (10-24 X 1/2") Torque Specs. 20-30 In/Lbs, 2.3-3.4 Nm, Red 262 Required Loctite
2B	82298	5	S	SCREW - Hex Hd (10-24 X 5/8") Torque Specs. 20-30 In/Lbs, 2.3-3.4 Nm, Red 262 Required Loctite
2B	82298	2	S	SCREW - Hex Hd (10-24 x 5/8) ST285-BC, GST-BC, HBC-28
3	96624	1	/P	SCREW - Socket Hd (10-24 X 1") ST385-BC
4	04168A	1	S/P	WASHER - Flanged
5	D98717C	1	S/P	BLADE - Tri Arc
6	04409	1	/P	WASHER - Cupped, Lower
7A	81282	1	S	NUT - Hex Locking (R.H.)
7B	04277	1	/P	NUT - Hex Locking (L.H.)
8	A04683A	1	/P	GRASS DEFLECTOR
9A	07076	1	/P	BLADE - Cut Off
9B	00075	1	S	BLADE - Cut Off
10	80869	2	/P	SCREW - Mach. Hex Hd (10-24 X 3/8") Torque Specs 40-50 In/Lbs, 4.5-5.6 Nm, Red 262 Required Loctite
11	81208	2	/P	NUT - Hex (10-24)
12A	988472	1	/P	BLADE GUARD ST385-BC
12B	044101	1	/P	BLADE GUARD ST285-BC, GST-BC, HBC-28
13A	9855141	1	/P	SHAFT ADAPTOR (L.H.) ST385-BC
13B	04355	1	/P	SHAFT ADAPTOR (R.H.) ST285-BC, GST-BC, HBC-28
14A	DA03174A	1	S/P	STRINGHEAD COMPLETE (.095" Line) ST385-BC
14B	DA04591A	1	S/P	STRINGHEAD COMPLETE (.095" Line) HBC-28
14C	DA03001A	1	S/P	STRINGHEAD COMPLETE (.080" Line) ST285-BC, GST-BC
15	A98231A	1	S/P	HOUSING & EYELET
16	00713	1		SPRING - Compression
17A	DA02598C	1	S	SPOOL & STRING ST385-BC, HBC-28
17B	DA98912E	1	S	SPOOL & STRING ST285-BC, GST-BC
18A	DA97910C	1	S	SPOOL RETAINER (L.H.) ST385-BC
18B	DA98866A	1	S	SPOOL RETAINER (R.H.) ST285-BC, GST-BC, HBC-28



GSTBC String Trimmer UT-15084-B
Ignition - Rotor - Starter

Page 16 of 28

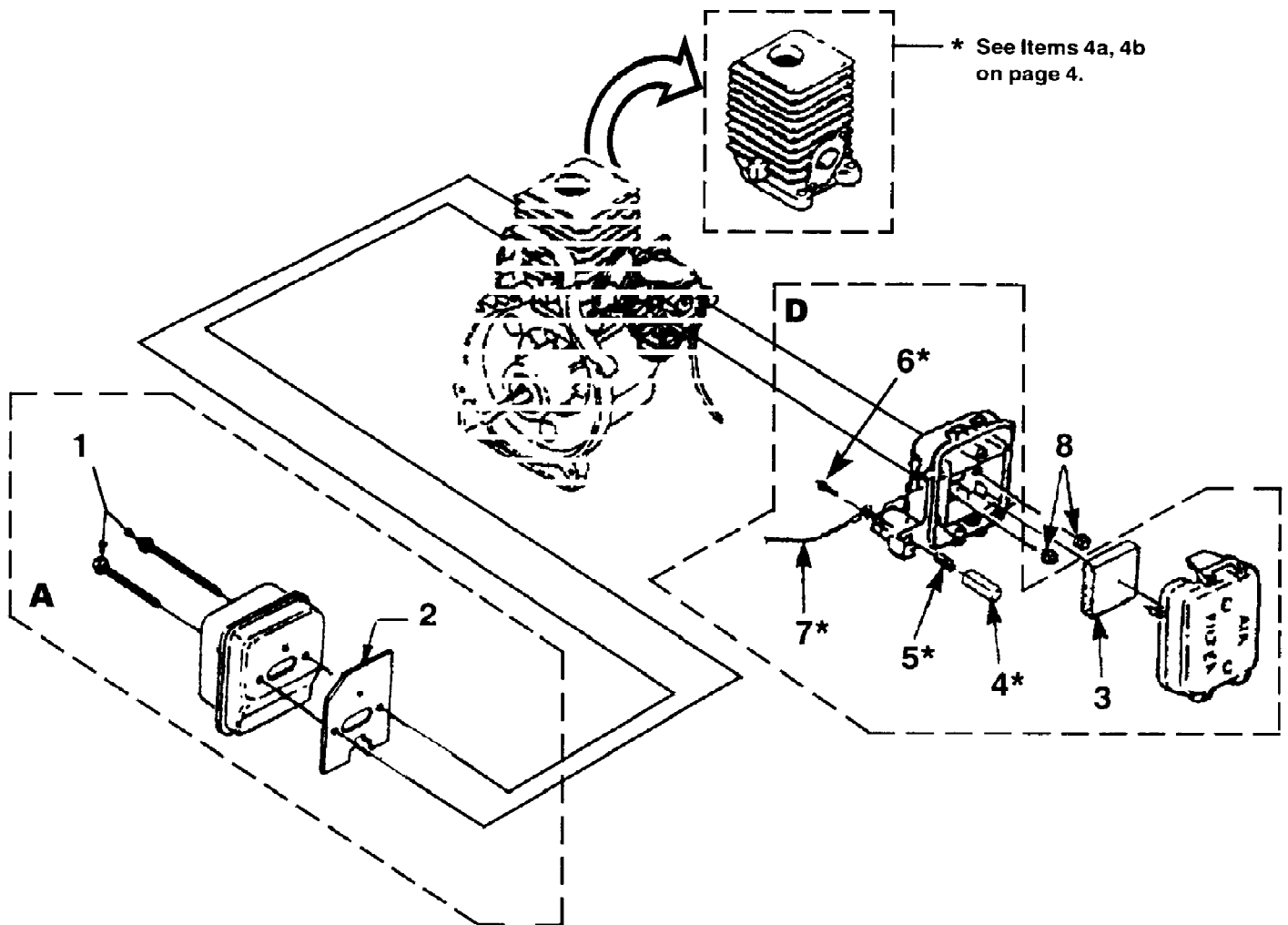
Ref #	Part Number	Qty	S/P/F	Description
C	A04446	1	S	IGNITION KIT
1	94711CS	1	/P	MODULE - Ignition
2	A33055	1	/P	TERMINAL & COVER
3	82540	2	/P	SCREW - Taptite (8-32 X 1") Torque Specs 30-40 In/Lbs, 3.4-4.5 Nm. Blue 242 Required Loctite
4	96169S	1	S	SPARK PLUG Torque Specs 120-180 In/Lbs, 13.6-20.3 Nm
5	A07238	1	/P	LEAD - Electrical
6	A04158S	1	S	ROTOR KIT ST-185BC, GST-BC
7	95479A	1	/P	WASHER - Flat
8	98795A	1	/P	CONNECTOR - Drive
9		1		SHORT BLOCK See "Engine Internal" illustration and parts list, items 1A, 1B.
E	A02575E	1	/P	COMPLETE STARTER ASSEMBLY
10	82541	2	/P	SCREW - Plastite (#10-1/2") Torque Specs 30-40 In/Lbs, 3.4-4.5 Nm
11	98791	2	/P	BRACKET - Retaining
12	98770A	1	/P	PULLEY - Starter
13	9789902	1	S/P	ROPE - Starter (42")
14	A98773A	1	S/P	SPRING & CONTAINER
15	02264	1	S	GRIP - Starter
?16	08469	1	S	CLAMP w/fasteners
24		1		UNKNOWN



GSTBC String Trimmer UT-15084-B
Ignition - Rotor - Starter - Clutch

Page 18 of 28

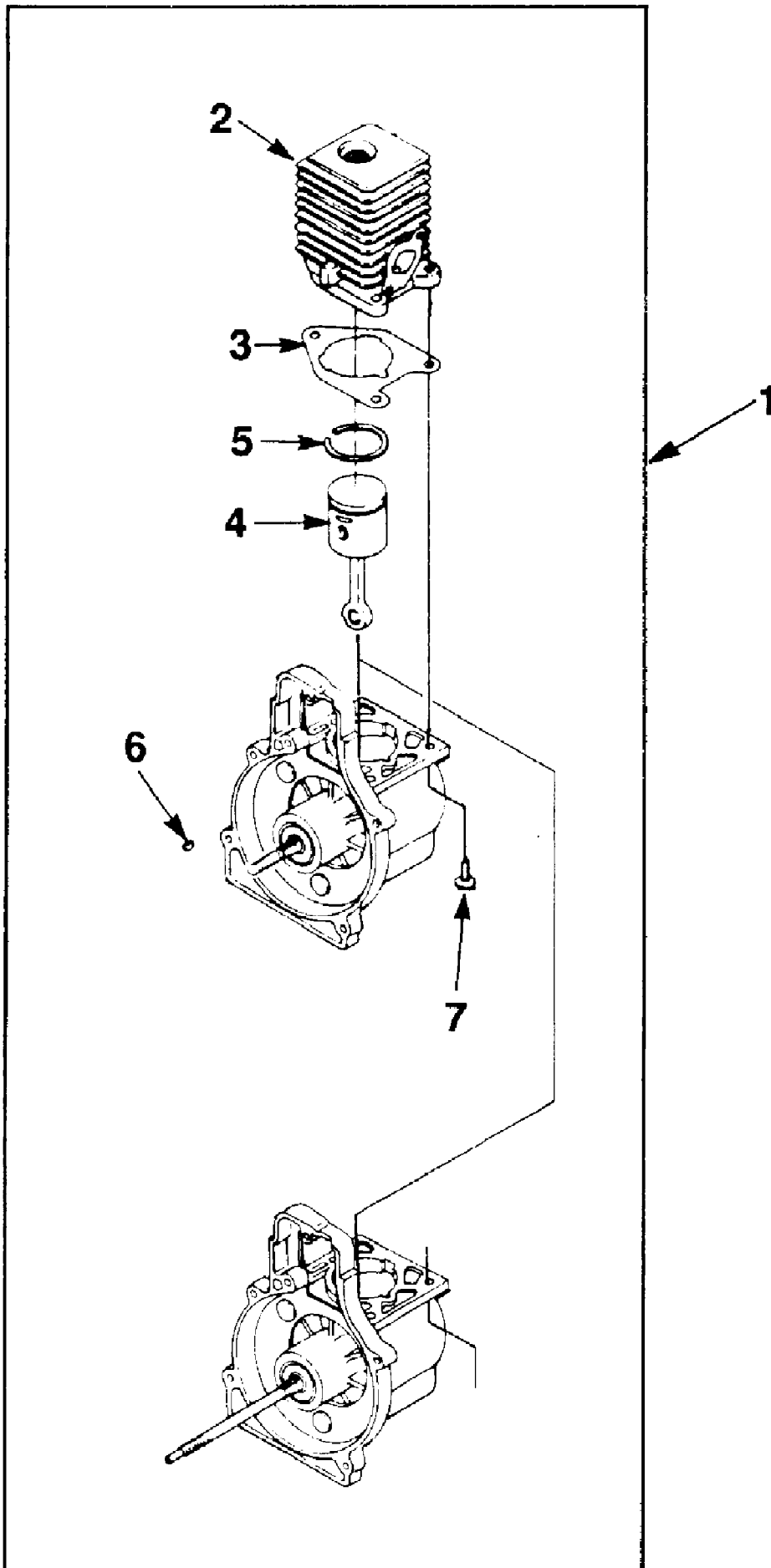
Ref #	Part Number	Qty	S/P/F	Description
C	A04446	1	S	IGNITION KIT
1	94711CS	1	/P	MODULE - Ignition
2	A33055	1	/P	TERMINAL & COVER
3	82540	2	/P	SCREW - Taptite (8-32 X 1") Torque Specs. 30-40 In/Lbs, 3.4-4.5 Nm, Blue 242 Required Loctite
4	96169S	1	S	SPARK PLUG Torque Specs. 120-180 In/Lbs, 13.6-20.3 Nm
5	A00681	1		LEAD - Electrical
6	A04158S	1	S	ROTOR KIT ST-185BC, GST-BC
7	95479A	1	/P	WASHER - Flat
8	035661	1	S	SPACER Clutch Models
10	98795A	1	/P	CONNECTOR - Drive
Z	A04655	1		CLUTCH AND DRUM KIT ST-285BC, ST-385BC, HBC-18, HBC-30
9	98929A	1	S/P	WASHER - Flat
10	00242	2	/P	CLUTCH ST-185BC, GST-BC
10		3		CLUTCH ST-285BC, ST-385BC, HBC 18, HBC 30
11	A03485A	1	S	CONNECTOR & DRUM ST-285BC, ST-385BC, HBC-18, HBC-30
12		1		SHORT BLOCK See "Engine Internal" illustration and parts list, items 1A, 1B.
E	A04638C	1	/P	COMPLETE STARTER ASSEMBLY
13	82541	2	/P	SCREW - Plastite (#10-1/2") Torque Specs. 30-40 In/Lbs, 3.4-4.5 Nm
14	98791	2	/P	BRACKET - Retaining
15	98770A	1	/P	PULLEY - Starter
16	9789902	1	S/P	ROPE - Starter (42")
17	A98773A	1	S/P	SPRING & CONTAINER
18	02264	1	S	GRIP - Starter
19	A02396A	1	/P	TUBE ADAPTER
20	88052	4	/P	SCREW - Hex Hd (10-24 X 7/8") Torque Specs. 30-40 In/Lbs, 3.4-4.5 Nm
21	96624	1	/P	SCREW - Sems Hex Hd (10-24 X 1-1/8")
22	81208	1	/P	NUT (10-24) Torque Specs. 30-40 In/Lbs, 3.4-4.5 Nm
23	82538	4	/P	SCREW - Taptite (10-24 X 3/4") Torque Specs. 55-60 In/Lbs, 6.2-6.8 Nm
24	A98919A	1	S	LEAD - Ground
25	02851	1	/P	TERMINAL - Male



GSTBC String Trimmer UT-15084-B
Muffler - Air Cleaner

Page 20 of 28

Ref #	Part Number	Qty	S/P/F	Description
A	A04837	1	/P	MUFFLER COMPLETE
1	88060	2	S/P	SCREW - Sems Hex (10-24 X 2-1/2") Torque Specs 40-50 In/Lbs, 4.5-5.6 Nm
2	98786C	1	/P	GASKET - Muffler Also included in 25CC & 30CC Cylinder Kit; See "Engine Internal" Illustration & Parts List, Items 4a & 4b
D	A04707A	1	/P	AIR FILTER KIT
3	D98760B	1	S	FILTER - AIR
4	98769	1	/P	BUTTON - Switch Not a part of model ST-385 BC
5	95020	1	S	SPRING - Compression Not a part of model ST-385 BC
6	82513	1	/P	SCREW - Plastite (#6) Not a part of model ST-385 BC; Torque Specs 5-10 In/Lbs, 6-1.1 Nm
7	A07238	1	/P	LEAD - Electrical Not a part of model ST-385 BC
8	81208	2	/P	NUT - Hex (10-24) Torque Specs 40-50 In/Lbs, 4.5-5.6 Nm



Ref #	Part Number	Qty	S/P/F	Description
1	A04742	1	S	SHORT BLOCK (25 CC Non-Clutch)
	A04743	1	S	SHORT BLOCK (25 CC w/Clutch)
	A00412	1		SHORT BLOCK (30 CC Non-Clutch)
	A00411	1		SHORT BLOCK (30 CC w/Clutch)
2	A03259	1	S	CYLINDER & GASKET (25 CC Non-Clutch)
	A03259	1	S	CYLINDER & GASKET (25 CC w/Clutch)
	A03785A	1	S	CYLINDER & GASKET (30 CC Non-Clutch)
	A03785A	1	S	CYLINDER & GASKET (30 CC w/Clutch)
3	04388	1	S	GASKET-Cylinder (25 CC Non-Clutch)
	04388	1	S	GASKET-Cylinder (25 CC w/Clutch)
	03703A	1	S	GASKET-Cylinder (30 CC Non-Clutch)
	03703A	1	S	GASKET-Cylinder (30 CC w/Clutch)
4	A04258	1	S	PISTON & ROD (25 CC Non-Clutch)
	A04258	1	S	PISTON & ROD (25 CC w/Clutch)
	A03705	1		PISTON & ROD (30 CC Non-Clutch)
	A03705	1		PISTON & ROD (30 CC w/Clutch)
5	96935	1	S	RING-Piston (25 CC Non-Clutch)
	96935	1	S	RING-Piston (25 CC w/Clutch)
	03179	2	/P	RING-Piston (30 CC Non-Clutch)
	03179	2	/P	RING-Piston (30 CC w/Clutch)
6	69250	1	/P	KEY-Woodruff (25 CC Non-Clutch)
	69250	1	/P	KEY-Woodruff (25 CC w/Clutch)
	69250	1	/P	KEY-Woodruff (30 CC Non-Clutch)
	69250	1	/P	KEY-Woodruff (30 CC w/Clutch)
7	82568	3	S	SCREW-Torx Pan Hd. (10-24 X 3/4") (25 CC Non-Clutch)
	82568	3	S	SCREW-Torx Pan Hd. (10-24 X 3/4") (25 CC w/Clutch)
	82569	3	S	SCREW-Torx Pan Hd. (10-24 X 3/4") (30 CC Non-Clutch)
	82569	3	S	SCREW-Torx Pan Hd. (10-24 X 3/4") (30 CC w/Clutch)

ACCESSORIES

SAW BLADE.....D-98935-A
(ST-185BC, GST-BC, ST-285BC,
ST-385BC, HBC-18, HBC-30)

GREASE, MULTI-PURPOSE....18453

MACHETE BLADE.....DA-00714-A
(ST-185BC, GST-BC, ST-285BC,
ST-385BC, HBC-18, HBC-30)

THREAD LOCKING COMPOUND..23488-C

MODULE AIR GAP SHIM.....24306

GRASS ANTI WRAP KIT....A-04191
(ST-155, SX-135, ST-175G, HLT-15,
GST, HGT, HLT-16, HLT-18)

IGNITION TEST SPARK PLUG..JA-31316-4

RUBBER TUBING (10 ft.)....94772-99

STARTER ROPE (250 ft. Reel)..98052-A

REPLACEMENT STRING (3 lb. Box)..98011-06
(.080" Dia.)

REPLACEMENT STRING (3 lb Box)..03959-04
(.095" Dia.)

TORX BIT (T25).....24982-03
(for clutch drums)

TORX BIT (T27).....18566-01

STRINGHEAD- Complete.....A-03001
(.080 Line) (Right Hand Thread) (Black
Retainer) (ST-155, SX-135, ST-175G, HLT-15,
GST-18, HGT, ST-185BC, ST-275, ST-285BC,
GST-BC).

STRINGHEAD- Complete.....A-03174
(.095 Line) (Left Hand Thread) (Red Retainer)
(HLT-28, ST-385BC, HBC-30)

STRINGHEAD- Complete.....A-04591
(.095 Line) (Right Hand Thread) (Black
Retainer) (HLT-16, HLT-18, HBC-18)

STRINGHEAD- Complete.....A-04592
(.080 Line) (Left Hand Thread) (Red Retainer)
(ST-275, ST-285BC, GST-BC)

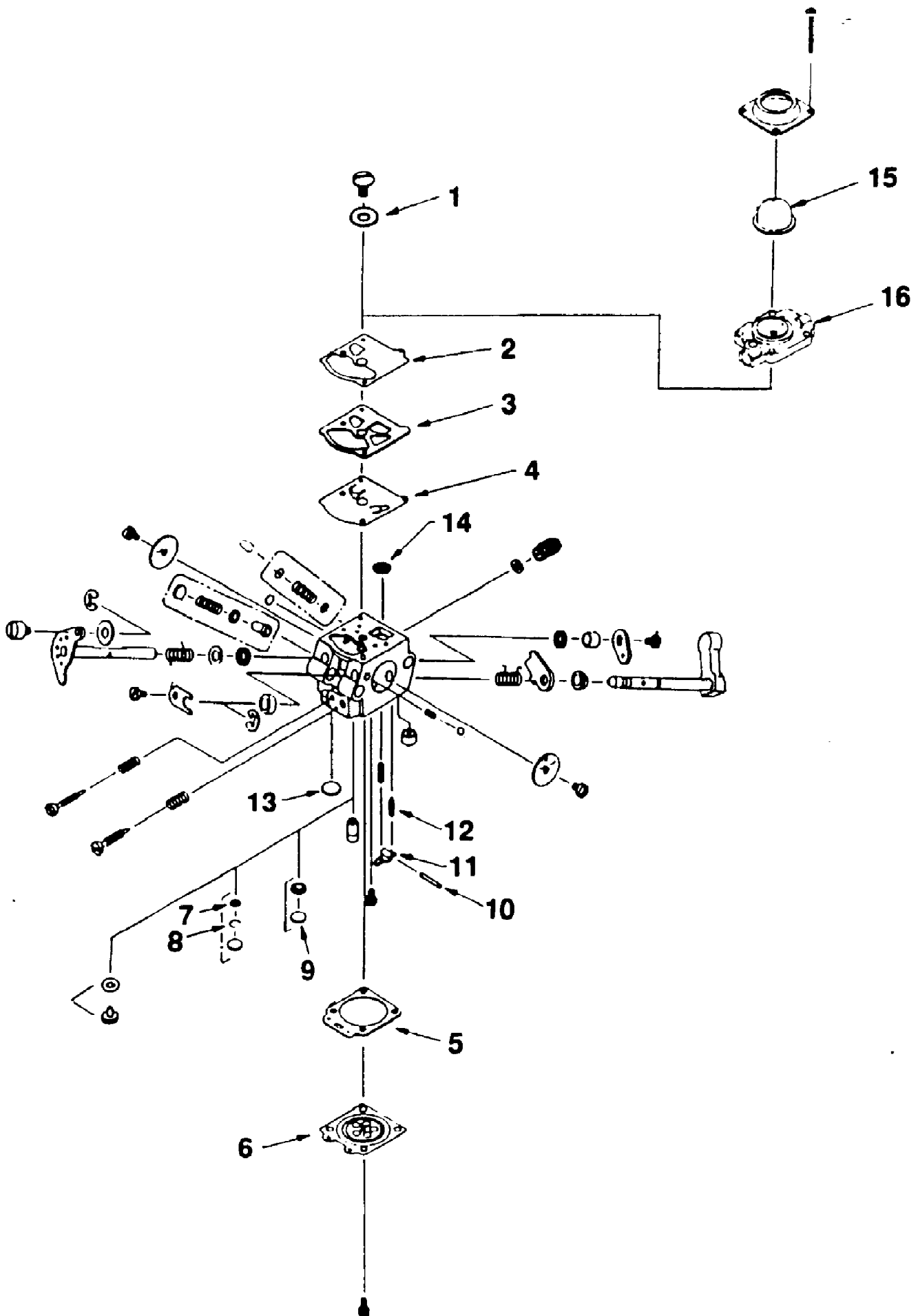
CLUTCH MODELS

ST-185BC
ST-285BC
ST-385BC
GST-BC
HBC-18
HBC-30

NON-CLUTCH MODELS

ST-155	HGT
SX-135	HLT-15
ST-175G	HLT-16
ST-275	HLT-18
GST	HLT-28

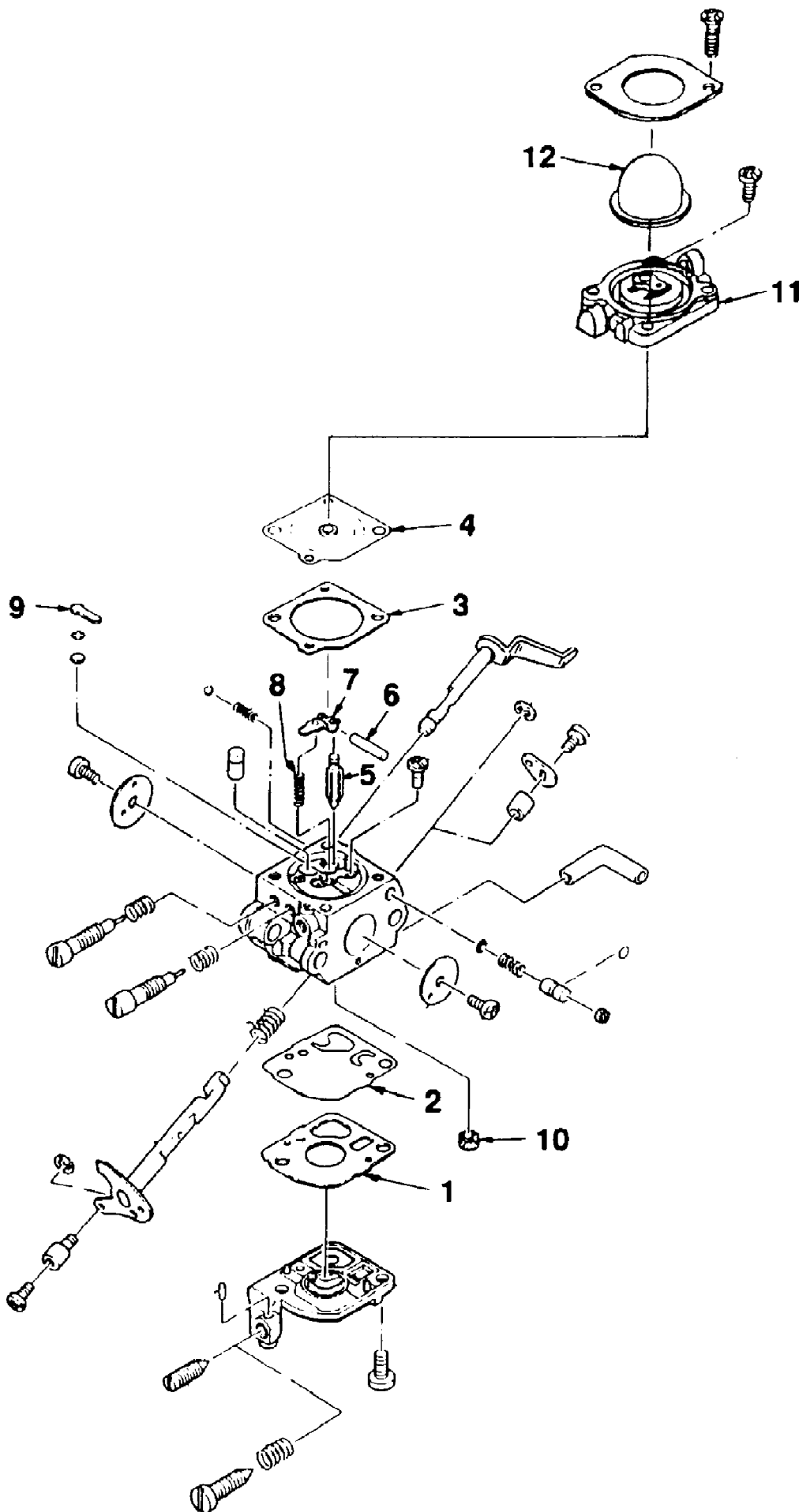
Ref #	Part Number	Qty	S/P/F	Description
D-98935-A	D98935A	1		SAW BLADE (ST-185BC, GST-BC, ST-285BC, ST-385BC, HBC-18, HBC-30)
18453	18453	1	/P	GREASE, MULTI-PURPOSE
DA-00714-A	DA00714A	1		MACHETE BLADE (ST-185BC,GST-BC,ST-285BC,ST-385BC,HB
23488C	23488C	1		THREAD LOCKING COMPOUND
24306	24306	1	S	MODULE AIR GAP SHIM
A-04191	A04191	1		GRASS ANTI WRAP KIT (ST-155,SX-135,ST-175G,HLT-15,GST,HGT,H
JA313164	JA313164	1		IGNITION TEST SPARK PLUG
9477299	9477299	1	/P	RUBBER TUBING (10 ft.)
98052-A	98052A	1	/P	STARTER ROPE (250 ft. Reel)
98011-06	9801106	1		REPLACEMENT STRING (3 lb. Box) (.080" Dia.)
03959-04	0395904	1		REPLACEMENT STRING (3 lb. Box) (.095" Dia.)
24982-03	2498203	1	S	TORX BIT (T25) (for clutch drums)
18566-01	1856601	1	/P	TORX BIT (T27)
A-03001	A03001	1	S	STRINGHEAD-Complete (.080 Line)(Right Hand Thread)(Black Retainer)(ST
A-03174	A03174	1		STRINGHEAD-Complete (.095 Line)(Left Hand Thread)(Red Retainer)(HLT-2
A-04591	A04591	1	S	STRINGHEAD-Complete (.095 Line)(Right Hand Thread)(Black Retainer)(HL
A-04592	A04592	1	S	STRINGHEAD-Complete (.080 Line)(Left Hand Thread)(Red Retainer)(ST-27



GSTBC String Trimmer UT-15084-B
Walbro Carburetor

Page 26 of 28

Ref #	Part Number	Qty	S/P/F	Description
1	A02665	1		Repair Kit
2	A02665	1		Repair Kit
	A00285A	1		Gasket/Diaphragm Kit
3	A02665	1		Repair Kit
	A00285A	1		Gasket/Diaphragm Kit
4	A02665	1		Repair Kit
	A00285A	1		Gasket/Diaphragm Kit
5	A02665	1		Repair Kit
	A00285A	1		Gasket/Diaphragm Kit
6	A02665	1		Repair Kit
	A00285A	1		Gasket/Diaphragm Kit
7	A02665	1		Repair Kit
8	A02665	1		Repair Kit
9	A02665	1		Repair Kit
10	A02665	1		Repair Kit
11	A02665	1		Repair Kit
12	A02665	1		Repair Kit
13	A02665	1		Repair Kit
14	A02665	1		Repair Kit
15	01201	1	S	Primer Bulb
16	A01200A	1		Primer Base
	03176	1		Choke Shaft & Lever



GSTBC String Trimmer UT-15084-B
Zama Carburetor

Page 28 of 28

Ref #	Part Number	Qty	S/P/F	Description
1	A03979	1		Repair Kit
	A03980	1		Gasket/Diaphragm Kit
2	A03979	1		Repair Kit
	A03980	1		Gasket/Diaphragm Kit
3	A03979	1		Repair Kit
	A03980	1		Gasket/Diaphragm Kit
4	A03979	1		Repair Kit
	A03980	1		Gasket/Diaphragm Kit
5	A03979	1		Repair Kit
6	A03979	1		Repair Kit
7	A03979	1		Repair Kit
8	A03979	1		Repair Kit
9	A03979	1		Repair Kit
10	A03979	1		Repair Kit
11	A03062	1		Primer Base
12	A01195A	1	S	Primer Bulb
		1		Choke Shaft & Lever