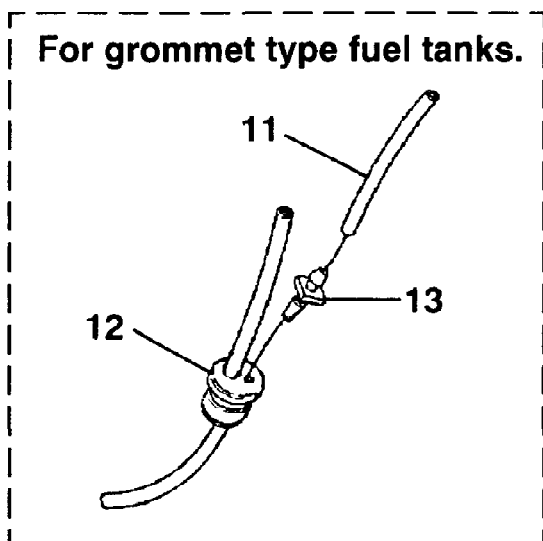
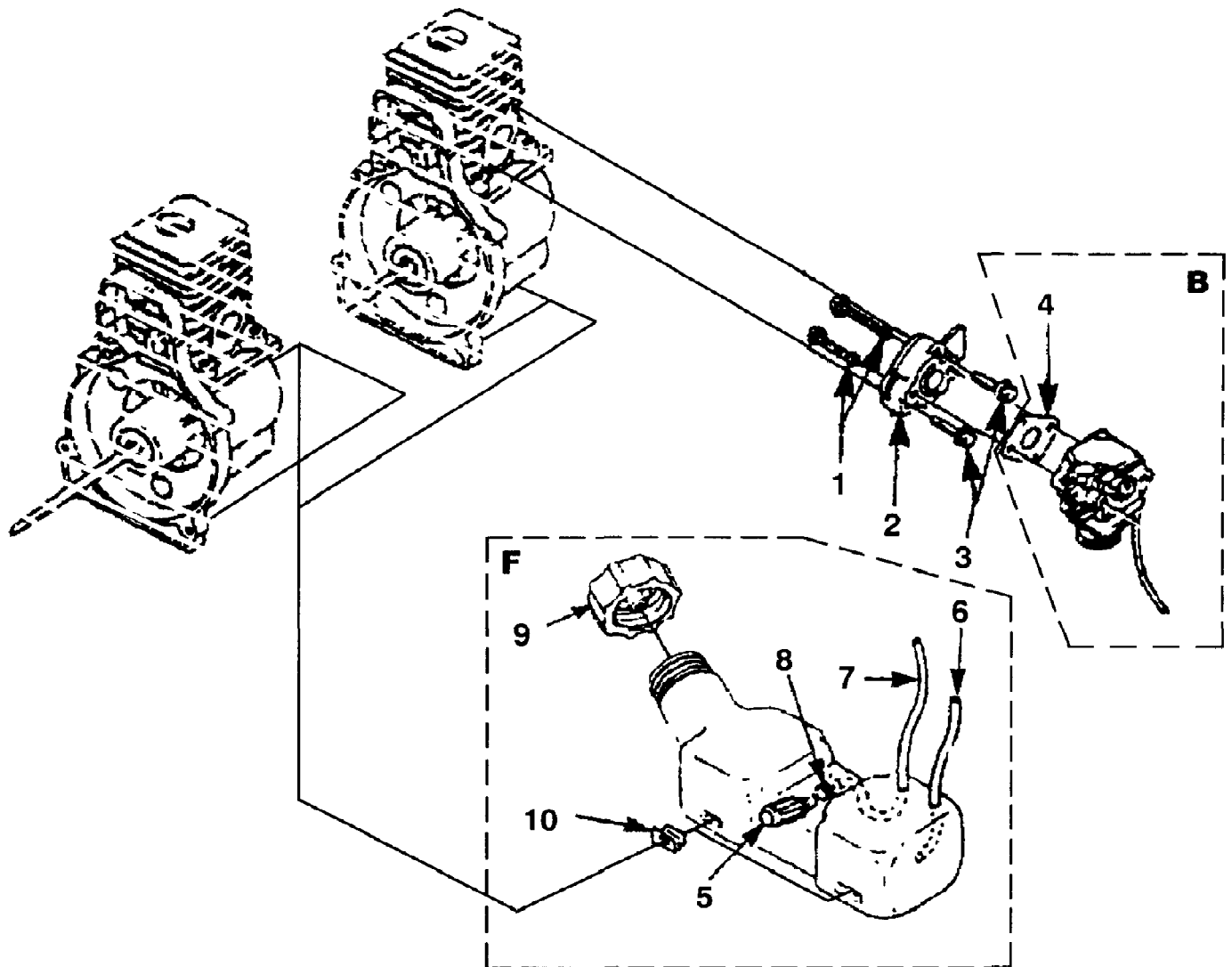


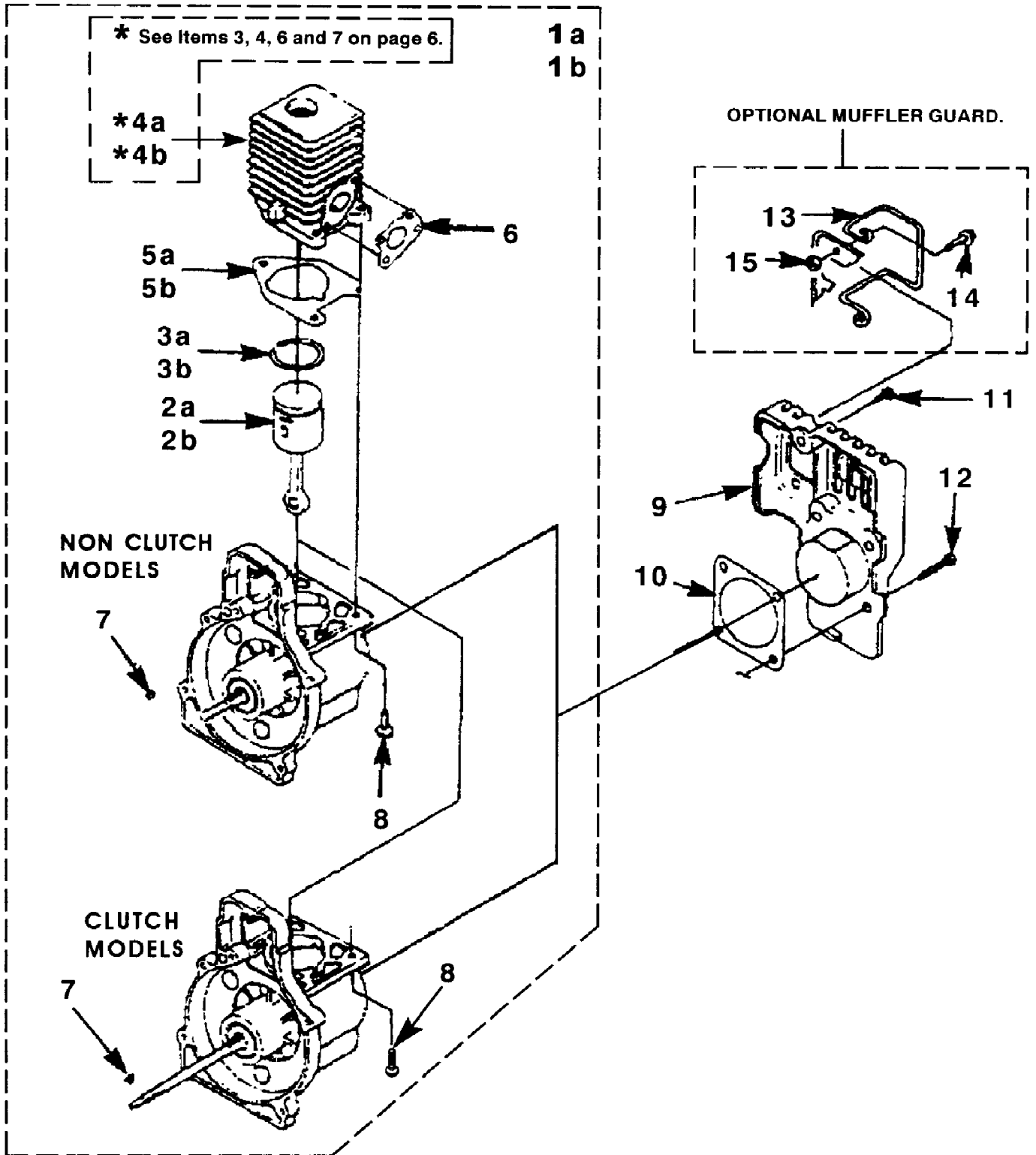
| Ref # | Part Number | Qty | S/P/F | Description   |
|-------|-------------|-----|-------|---|
| 1     | DA92703C    | 1   | S     | HARNESS w/Connector GST-18  |
| 2     | A00101A     | 1   |       | HANDLE GRIP ASSEMBLY  |
| 3     | A03006      | 1   | /P    | CABLE - Throttle  |
| 4     | 08833       | 1   | S     | TRIGGER   |
| 5     | 82368       | 5   | S     | SCREW - Thread Forming (#8 X 3/4")<br>Torque Specs. 15-25 In/Lbs, 1.7-2.8 Nm                              |
| 6     | A04709      | 1   |       | FRONT HANDLE KIT  |
| 7     | 80295       | 1   | /P    | SCREW - Cap Hex Hd (1/4-20 X 2")  |
| 8     | 93992       | 1   | /P    | NUT - Wing (1/4-20) Torque Specs. 5-30<br>In/Lbs, 6-3.4 Nm  |
| 9     | A04459      | 1   | S     | HOUSING - Drive Shaft   |
| 10    | 04458       | 1   | S     | DECAL - Starting Instructions   |
| 11    | 04679       | 1   | S     | DECAL - Warning   |
| 12    | 07928       | 1   | S/P   | CLAMP   |
| 13    | 98816       | 1   | S     | SHAFT - Flexible  |
| 14    | 88077       | 1   | S     | SCREW - Sems Hex Hd (#10 X 1/2") Torque<br>Specs. 15-25 In/Lbs, 1.7-2.8 Nm, Red 262<br>Required Loctite   |
| 15a   | A04705      | 1   | S     | DEFLECTOR & BLADE KIT (55 Deg )   |
| 15b   | A04704      | 1   | S     | DEFLECTOR & BLADE KIT (100 Deg )  |
| 16    | 80295       | 1   | /P    | SCREW - Cap Hex Hd (10-24 X 2")   |
| 17    | 84006       | 1   | /P    | WASHER - Flat (1/4")  |
| 18    | 83009       | 1   | /P    | WASHER - Lock (1/4")  |
| 19    | 93992       | 1   | /P    | NUT - Wing (10-24) Torque Specs. 5-30<br>In/Lbs, 6-3.4 Nm   |
| 20    | A03832      | 1   | S     | BLADE - Cut-Off   |
| 21    | 82531       | 2   | /P    | SCREW - Mech Hex Hd (10-24 X 7/8")<br>Torque Specs. 15-20 In/Lbs, 1.7-2.3 Nm, Red<br>262 Required Loctite |
| 22    | 81261       | 2   | /P    | NUT - Hex (10-24)   |
| 23a   | DA03001A    | 1   | S/P   | STRINGHEAD - Complete (.080" Line)<br>ST155, SX135, ST175 G, HLT15, GST 18                                |
| 23b   | DA04591A    | 1   | S/P   | STRINGHEAD - Complete (.095" Line)<br>HLT-16, HLT-18  |
| 24    | A98231A     | 1   | S/P   | HOUSING & EYELET Dual Line  |
| 25    | 06713       | 1   | /P    | SPRING - Compression  |
| 26a   | DA98912E    | 1   | S     | SPOOL & STRING (.080" Line) ST155,<br>SX135, ST175-G, HLT15, GST-18                                       |
| 26b   | DA02598C    | 1   | S     | SPOOL & STRING (.095" Line) HLT 16, HLT<br>18   |
| 27    | DA98866A    | 1   | S     | RETAINER - Spool RH Thread, Black   |



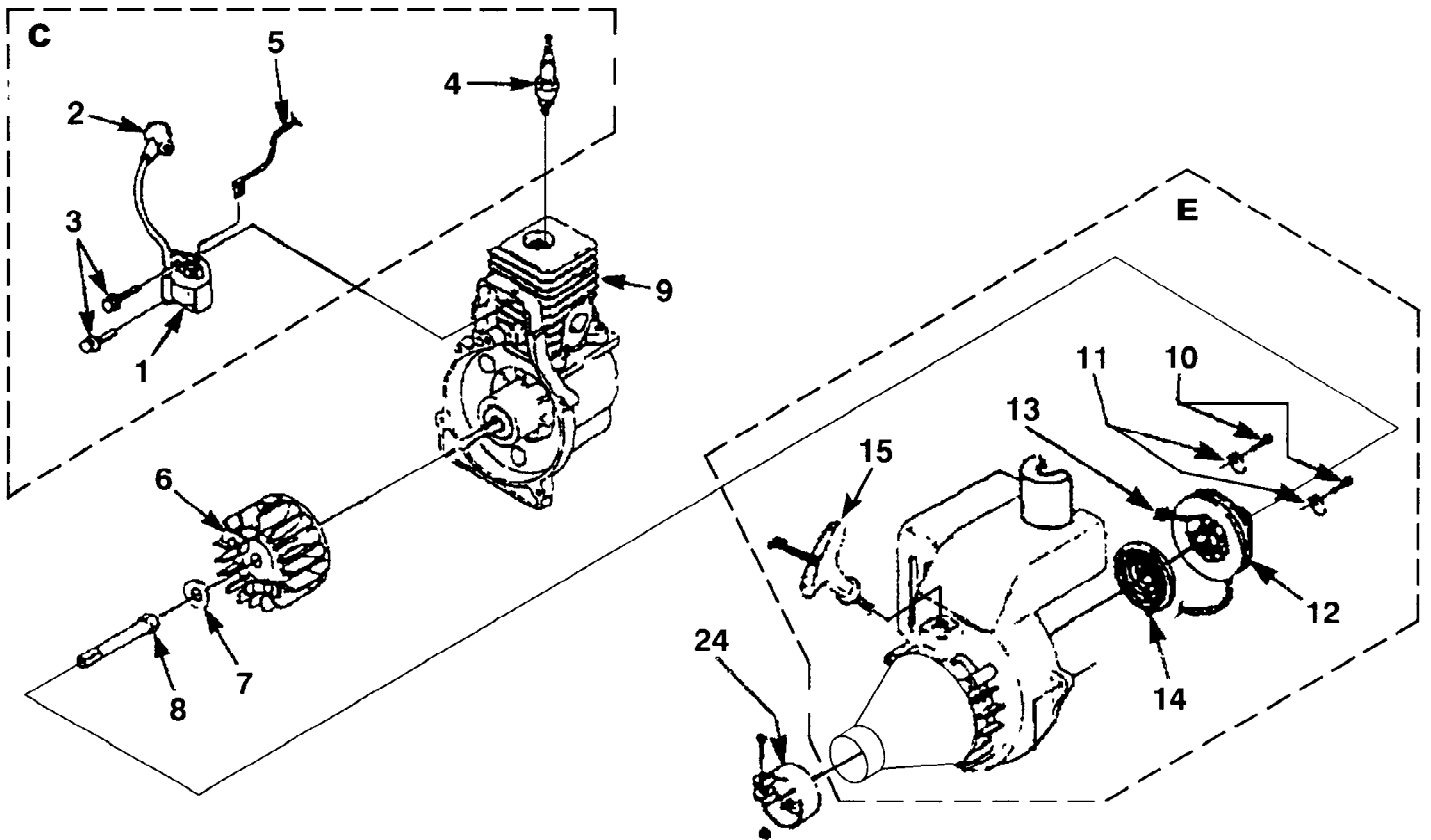
GST18 String Trimmer UT-20593-C  
Carburetor - Fuel Tank

Page 4 of 12

| Ref # | Part Number | Qty | S/P/F | Description   |
|-------|-------------|-----|-------|---|
| 1     | 04474       | 2   | /P    | SCREW - Machine (10-24 X 2-1/4") Torque Specs. 30-40 In/Lbs, 3.4-4.5 Nm                       |
| 2     | 98768       | 1   | S     | HEAT DAM  |
| 3     | 825491      | 2   | S     | SCREW - Taptite (10-24 X 1") Torque Specs. 40-50 In/Lbs, 4.5-5.6 Nm, Red 262 Required Loctite |
| B     | A04445A     | 1   | /P    | CARBURETOR KIT  |
| 4     | 98766A      | 1   | S/P   | GASKET - Carburetor   |
| F     | A04447C     | 1   | S     | FUEL TANK   |
| 5     | 49422       | 1   | S     | FILTER Fuel   |
| 6     | 0143932     | 1   | S/P   | TUBING - Rubber (8")  |
| 7     | 9477232     | 1   | S     | TUBING - Rubber (8")  |
| 8     | 98268       | 1   | S/P   | CLAMP - Wire  |
| 9     | A00982B     | 1   | S     | FUEL CAP  |
| 10    | 98792       | 3   | /P    | BUMPER - Rubber   |
| 11    | 0143916     | 1   | /P    | TUBING - Rubber (3 X 3/4")  |
| 12    | 07469       | 1   |       | GROMMET w/Tubing  |
| 13    | 02067       | 1   | /P    | FITTING - Fuel  |



| Ref # | Part Number | Qty | S/P/F | Description  |
|-------|-------------|-----|-------|--|
| 1a    | A07134      | 1   | S     | SHORT BLOCK (30CC Non Clutch) Short Blocks Include Items 2a-8  |
| 1b    | A07135      | 1   | S     | SHORT BLOCK (30CC Clutch) Short Blocks Include Items 2a-8  |
| 2a    | A03599      | 1   | S     | 30CC PISTON & ROD  |
| 3a    | 03179       | 2   | /P    | RING - Piston  |
| 4a    | A09058      | 1   | S     | 30CC CYLINDER KIT  |
| 5a    | 04388B      | 1   | S/P   | GASKET - Cylinder  |
| 6     | 08840       | 1   | /P    | GASKET - Heat Dam  |
| 7     | 69250       | 1   | /P    | KEY - Woodruff   |
| 8     | 825691      | 3   | /P    | SCREW - Thread Forming (10-24 X 3/4") Torque Specs. 55-65 In/Lbs, 6.2-7.3 Nm, Red 262 Required Loctite |
| ?1c   | A09055      | 1   | S     | SHORT BLOCK (25CC Non Clutch) Short Blocks Include Items 2b-8  |
| ?1d   | A09056      | 1   | S     | SHORT BLOCK (25CC Clutch) Short Blocks Include Items 2b-8  |
| 2b    | A07314      | 1   | S     | 25CC PISTON & ROD  |
| 3b    | 96935       | 1   | S     | RING - Piston  |
| 4b    | A07145      | 1   | S     | 25CC CYLINDER KIT  |
| 5b    | 04388B      | 1   | S/P   | GASKET - Cylinder  |
| 6     | 08840       | 1   | /P    | GASKET - Heat Dam  |
| 7     | 69250       | 1   | /P    | KEY - Woodruff   |
| 8     | 825691      | 3   | /P    | SCREW - Thread Forming (10-24 X 3/4")  |
| 9     | A00858      | 1   | /P    | CRANKCASE COVER  |
| 10    | 98767A      | 1   | /P    | GASKET - Crankcase Cover   |
| 11    | 82541       | 2   | /P    | SCREW - Plastite (#10 X 1/2") Torque Specs 30-40 In/Lbs, 3.4-4.5 Nm                                    |
| 12    | 82538       | 4   | /P    | SCREW - Taptite (10-24 X 1/2") Torque Specs. 25-30 In/Lbs, 2.8-3.4 Nm, Red 262 Required Loctite        |
| 13    | A00254A     | 1   | /P    | WIRE GUARD KIT   |
| 14    | 88049       | 2   | /P    | SCREW - Hex Sems (10-24 X 1/2") Torque Specs 40-50 In/Lbs, 4.5-5.6 Nm                                  |
| 15    | 81208       | 2   | /P    | NUT (10-24)  |

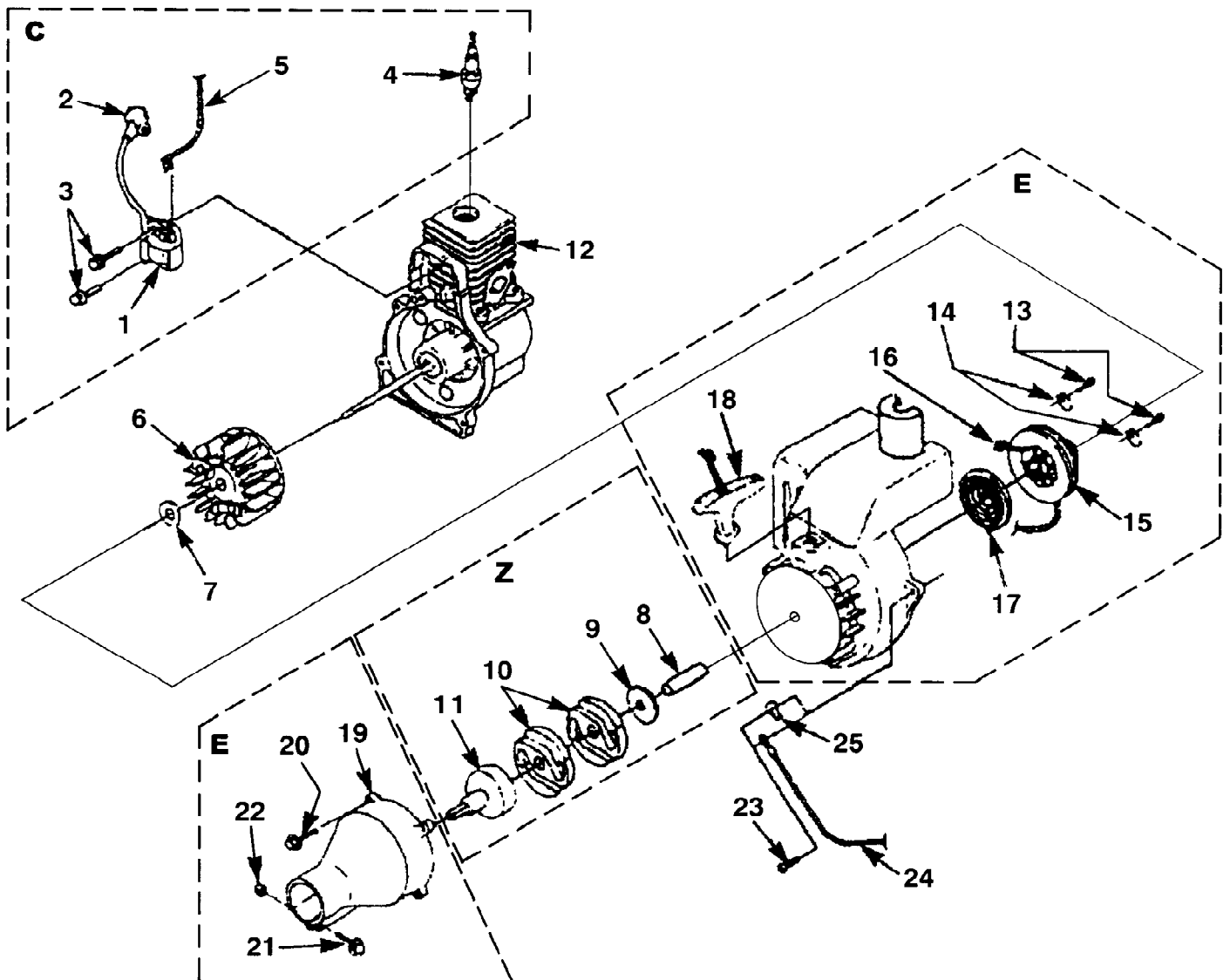


GST18 String Trimmer UT-20593-C  
Ignition - Rotor - Starter

Page 8 of 12

| Ref # | Part Number | Qty | S/P/F | Description  |
|-------|-------------|-----|-------|--|
| C     | A04446      | 1   | S     | IGNITION KIT   |
| 1     | 94711CS     | 1   | /P    | MODULE - Ignition  |
| 2     | A33055      | 1   | /P    | TERMINAL & COVER   |
| 3     | 82540       | 2   | /P    | SCREW - Taptite (8-32 X 1") Torque Specs<br>30-40 In/Lbs, 3.4-4.5 Nm. Blue 242 Required<br>Loctite |
| 4     | 96169S      | 1   | S     | SPARK PLUG Torque Specs 120-180 In/Lbs,<br>13.6-20.3 Nm  |
| 5     | A07238      | 1   | /P    | LEAD - Electrical  |
| 6     | A04158S     | 1   | S     | ROTOR KIT ST-185BC, GST-BC   |
| 7     | 95479A      | 1   | /P    | WASHER - Flat  |
| 8     | 98795A      | 1   | /P    | CONNECTOR - Drive  |
| 9     |             | 1   |       | SHORT BLOCK See "Engine Internal"<br>illustration and parts list, items 1A, 1B.                    |
| E     | A02575E     | 1   | /P    | COMPLETE STARTER ASSEMBLY  |
| 10    | 82541       | 2   | /P    | SCREW - Plastite (#10-1/2") Torque Specs<br>30-40 In/Lbs, 3.4-4.5 Nm                               |
| 11    | 98791       | 2   | /P    | BRACKET - Retaining  |
| 12    | 98770A      | 1   | /P    | PULLEY - Starter   |
| 13    | 9789902     | 1   | S/P   | ROPE - Starter (42")   |
| 14    | A98773A     | 1   | S/P   | SPRING & CONTAINER   |
| 15    | 02264       | 1   | S     | GRIP - Starter   |
| ?16   | 08469       | 1   | S     | CLAMP w/fasteners  |
| 24    |             | 1   |       | UNKNOWN  |

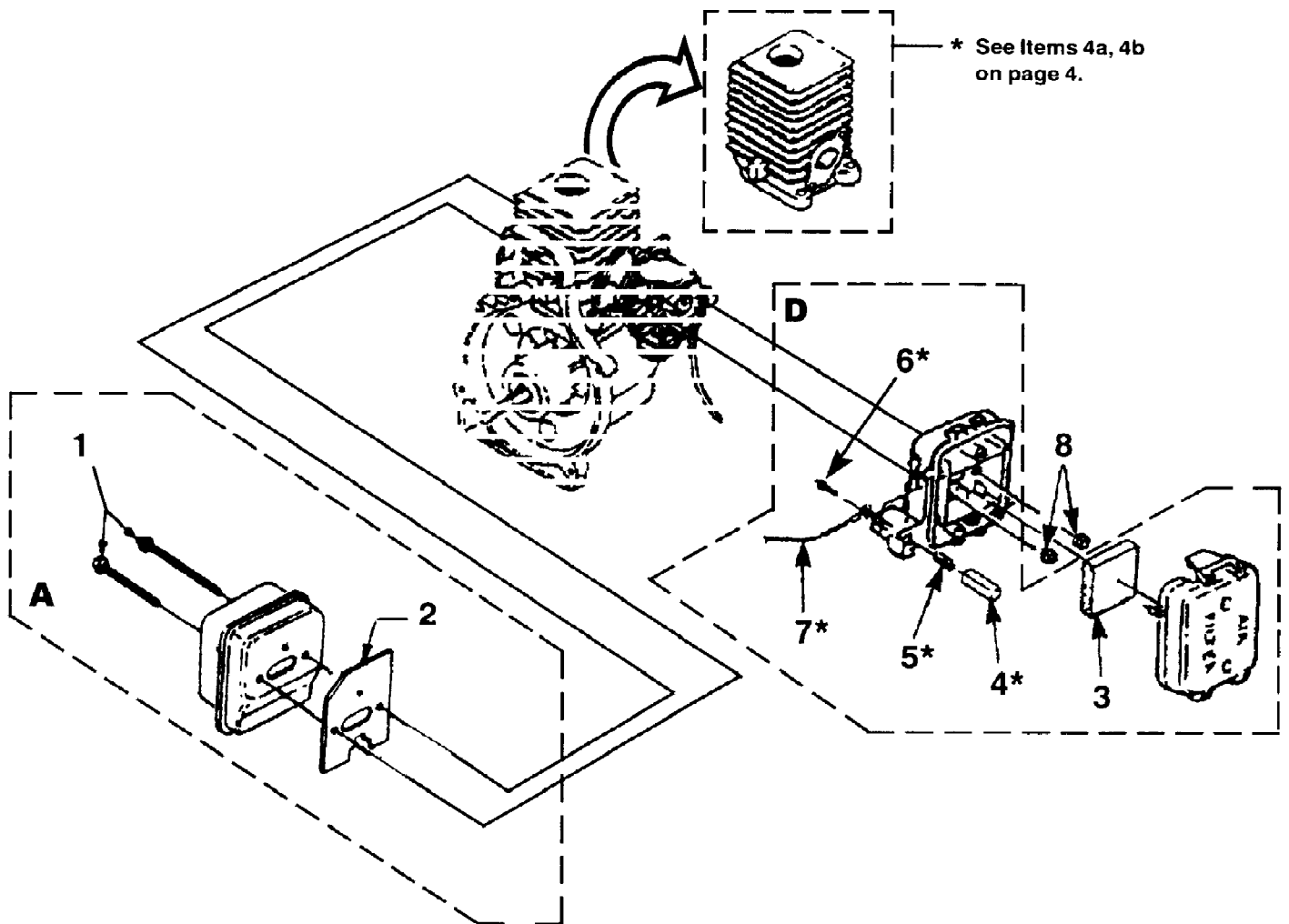




GST18 String Trimmer UT-20593-C  
Ignition - Rotor - Starter - Clutch

Page 10 of 12

| Ref # | Part Number | Qty | S/P/F | Description   |
|-------|-------------|-----|-------|---|
| C     | A04446      | 1   | S     | IGNITION KIT  |
| 1     | 94711CS     | 1   | /P    | MODULE - Ignition   |
| 2     | A33055      | 1   | /P    | TERMINAL & COVER  |
| 3     | 82540       | 2   | /P    | SCREW - Taptite (8-32 X 1") Torque Specs. 30-40 In/Lbs, 3.4-4.5 Nm, Blue 242 Required Loctite |
| 4     | 96169S      | 1   | S     | SPARK PLUG Torque Specs. 120-180 In/Lbs, 13.6-20.3 Nm   |
| 5     | A00681      | 1   |       | LEAD - Electrical   |
| 6     | A04158S     | 1   | S     | ROTOR KIT ST-185BC, GST-BC  |
| 7     | 95479A      | 1   | /P    | WASHER - Flat   |
| 8     | 035661      | 1   | S     | SPACER Clutch Models  |
| 10    | 98795A      | 1   | /P    | CONNECTOR - Drive   |
| Z     | A04655      | 1   |       | CLUTCH AND DRUM KIT ST-285BC, ST-385BC, HBC-18, HBC-30  |
| 9     | 98929A      | 1   | S/P   | WASHER - Flat   |
| 10    | 00242       | 2   | /P    | CLUTCH ST-185BC, GST-BC   |
| 10    |             | 3   |       | CLUTCH ST-285BC, ST-385BC, HBC 18, HBC 30   |
| 11    | A03485A     | 1   | S     | CONNECTOR & DRUM ST-285BC, ST-385BC, HBC-18, HBC-30   |
| 12    |             | 1   |       | SHORT BLOCK See "Engine Internal" illustration and parts list, items 1A, 1B.                  |
| E     | A04638C     | 1   | /P    | COMPLETE STARTER ASSEMBLY   |
| 13    | 82541       | 2   | /P    | SCREW - Plastite (#10-1/2") Torque Specs. 30-40 In/Lbs, 3.4-4.5 Nm                            |
| 14    | 98791       | 2   | /P    | BRACKET - Retaining   |
| 15    | 98770A      | 1   | /P    | PULLEY - Starter  |
| 16    | 9789902     | 1   | S/P   | ROPE - Starter (42")  |
| 17    | A98773A     | 1   | S/P   | SPRING & CONTAINER  |
| 18    | 02264       | 1   | S     | GRIP - Starter  |
| 19    | A02396A     | 1   | /P    | TUBE ADAPTER  |
| 20    | 88052       | 4   | /P    | SCREW - Hex Hd (10-24 X 7/8") Torque Specs. 30-40 In/Lbs, 3.4-4.5 Nm                          |
| 21    | 96624       | 1   | /P    | SCREW - Sems Hex Hd (10-24 X 1-1/8")  |
| 22    | 81208       | 1   | /P    | NUT (10-24) Torque Specs. 30-40 In/Lbs, 3.4-4.5 Nm  |
| 23    | 82538       | 4   | /P    | SCREW - Taptite (10-24 X 3/4") Torque Specs. 55-60 In/Lbs, 6.2-6.8 Nm                         |
| 24    | A98919A     | 1   | S     | LEAD - Ground   |
| 25    | 02851       | 1   | /P    | TERMINAL - Male   |



GST18 String Trimmer UT-20593-C  
Muffler - Air Cleaner

Page 12 of 12

| Ref # | Part Number | Qty | S/P/F | Description  |
|-------|-------------|-----|-------|--|
| A     | A04837      | 1   | /P    | MUFFLER COMPLETE   |
| 1     | 88060       | 2   | S/P   | SCREW - Sems Hex (10-24 X 2-1/2") Torque Specs 40-50 In/Lbs, 4.5-5.6 Nm  |
| 2     | 98786C      | 1   | /P    | GASKET - Muffler Also included in 25CC & 30CC Cylinder Kit; See "Engine Internal" Illustration & Parts List, Items 4a & 4b |
| D     | A04707A     | 1   | /P    | AIR FILTER KIT   |
| 3     | D98760B     | 1   | S     | FILTER - AIR   |
| 4     | 98769       | 1   | /P    | BUTTON - Switch Not a part of model ST-385 BC  |
| 5     | 95020       | 1   | S     | SPRING - Compression Not a part of model ST-385 BC   |
| 6     | 82513       | 1   | /P    | SCREW - Plastite (#6) Not a part of model ST-385 BC; Torque Specs 5-10 In/Lbs, 6-1.1 Nm                                    |
| 7     | A07238      | 1   | /P    | LEAD - Electrical Not a part of model ST-385 BC  |
| 8     | 81208       | 2   | /P    | NUT - Hex (10-24) Torque Specs 40-50 In/Lbs, 4.5-5.6 Nm  |