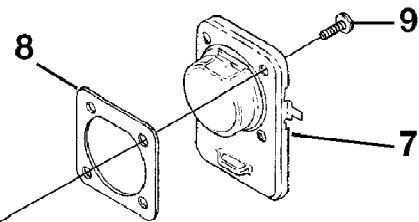
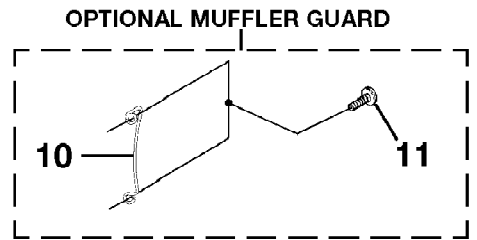
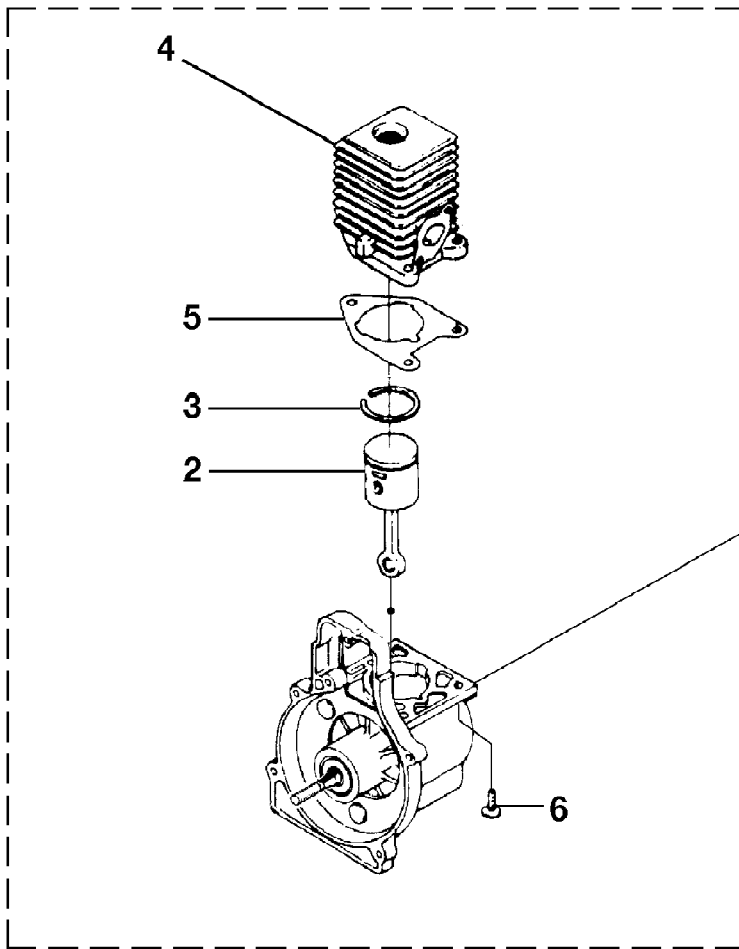


| Item No. | Torque Specs | | Required Loctite |
|----------|--------------|---------|------------------|
| | In/Lbs | Nm | |
| 4 | 35-45 | 4.0-5.1 | Red 262 |

EZ Reach String Trimmer UT-20777
Carburetor - Fuel Tank

Page 2 of 10

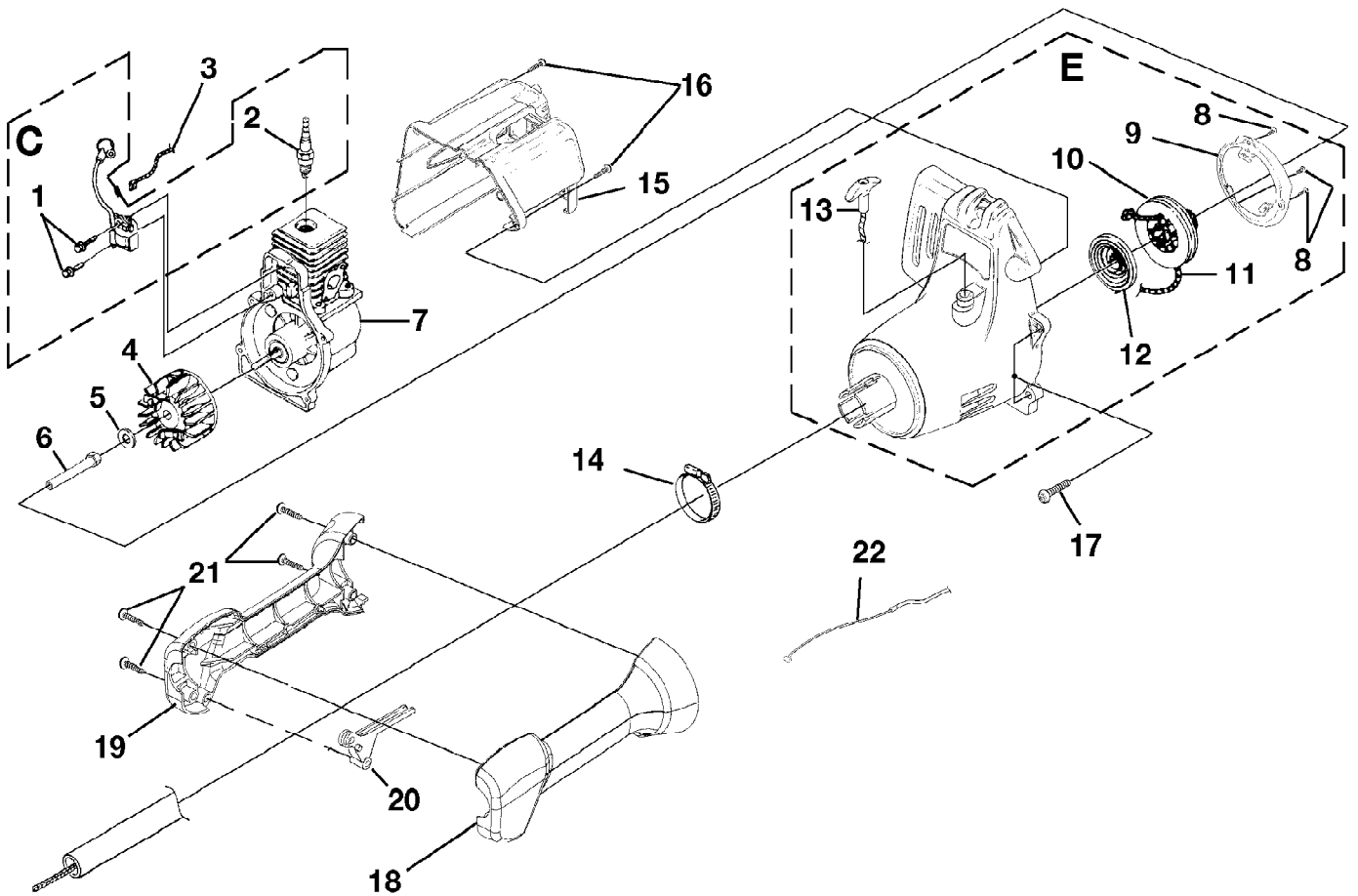
| Ref # | Part Number | Qty | S/P/F | Description |
|-------|-------------|-----|-------|--------------------------------|
| 1 | 06900A | 1 | /P | GASKET-Heat Dam |
| 2 | 04474 | 2 | /P | SCREW-Machine (10-24 X 2 1/4") |
| 3 | 98768A | 1 | /P | HEAT DAM |
| 4 | 093221 | 2 | S/P | SCREW-Sems (10-24 X 1") |
| B | 984874001 | 1 | | CARBURETOR KIT |
| 5 | 9074001 | 1 | | GASKET-Carburetor |
| 6 | 0143910 | 1 | /P | TUBING - Rubber |
| 7 | 07332 | 1 | S/P | FITTINGS - Inline |
| F | PA01624 | 1 | S | FUEL TANK ASSY. |
| 8 | PA00116 | 1 | S | FUEL TANK |
| 9 | A09116 | 1 | S/P | FUEL CAP |
| 10 | 98792 | 3 | /P | BUMPER - Rubber |



| Item No. | Torque Specs | | Required Loctite |
|----------|--------------|---------|------------------|
| | In/Lbs | Nm | |
| 9 | 55-65 | 6.2-7.3 | Red 262 |
| 11 | 35-45 | 4.0-5.1 | Red 262 |

| Ref # | Part Number | Qty | S/P/F | Description |
|-------|-------------|-----|-------|-------------------------------------|
| 1 | 3074107 | 1 | S | SHORT BLOCK ASSY. |
| 2 | 3081102 | 1 | | PISTON & ROD ASSY. |
| 3 | PS04468 | 1 | S/P | RING-Piston |
| 4 | 6457005 | 1 | | CYLINDER |
| 5 | 985259001 | 1 | S/P | GASKET-Cylinder |
| 6 | PS02807 | 3 | /P | SCREW-Sems (12-24 X 3/4") |
| 7 | PS02130 | 1 | /P | CRANKCASE COVER |
| 8 | 06443A | 1 | S/P | GASKET-Crankcase Cover |
| 9 | PS01565 | 4 | /P | SCREW-Sems (10-24 X 1/2") |
| 10 | UP04099 | 3 | /P | MUFFLER GUARD |
| 11 | UP03897 | 2 | S | SCREW-Thread Forming (10-14 X 1/2") |

EZ Reach String Trimmer UT-20777
 Ignition - Rotor - Starter

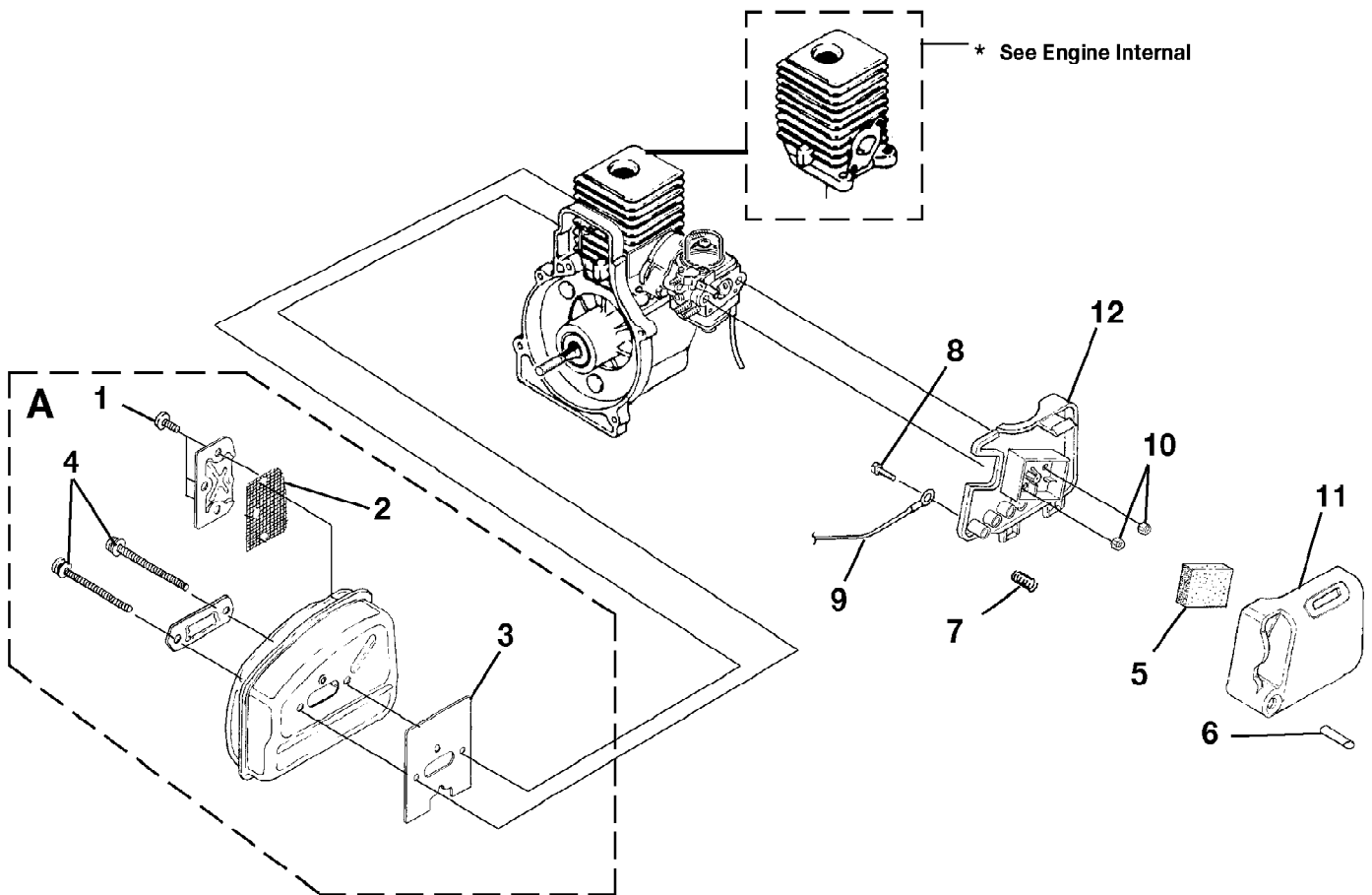


| Item No. | Torque Specs | | Required Loctite |
|----------|--------------|-----------|------------------|
| | In/Lbs | Nm | |
| 1 | 30-40 | 3.4-4.5 | Blue 242 |
| 2 | 120-180 | 13.6-20.3 | |
| 6 | 100-150 | 11.3-16.9 | |
| 8 | 10-20 | 1.1-2.3 | |
| 14 | 40-50 | 4.5-5.6 | |
| 16 | 30-50 | 3.4-5.6 | |
| 17 | 30-40 | 3.4-4.5 | |
| 21 | 30-50 | 3.4-5.6 | |

EZ Reach String Trimmer UT-20777
Ignition - Rotor - Starter

Page 6 of 10

| Ref # | Part Number | Qty | S/P/F | Description |
|-------|-------------|-----|-------|-----------------------------------|
| C | 984873001 | 1 | /P | IGNITION KIT |
| 1 | 82540 | 2 | /P | SCREW-Taptite (8-32 x 1") |
| 2 | PS02227 | 1 | S/P | SPARK PLUG |
| 3 | A07238 | 1 | /P | LEAD-Electrical |
| 4 | 986153001 | 1 | S/P | ROTOR AND PAWL ASSY. |
| 5 | PS84065 | 1 | S/P | WASHER-Flat |
| 6 | 98795A | 1 | /P | CONNECTOR-Drive (.250) |
| 7 | 3074107 | 1 | S | SHORT BLOCK See "Engine Internal" |
| E | 984875001 | 1 | | COMPLETE STARTER ASSEMBLY |
| 8 | 82543 | 3 | /P | SCREW-Taptite (8-16 x 1/2") |
| 9 | 6300222 | 1 | | BAFFLE-Air |
| 10 | PS01122 | 1 | /P | PULLEY-Starter |
| 11 | 9789902 | 1 | S/P | ROPE-Starter (42") |
| 12 | A98773A | 1 | S/P | SPRING & CONTAINER |
| 13 | 5946702 | 1 | S/P | GRIP-Starter |
| 14 | PS01611 | 1 | S/P | CLAMP |
| 15 | 984633001 | 1 | | HOUSING-Rear Kit |
| 16 | 82563 | 2 | /P | SCREW-Taptite (10-14 x 7/8") |
| 17 | 82538 | 4 | /P | SCREW-Taptite (10-24 x 3/4") |
| 18 | PS04383 | 1 | | CONTROL HANDLE - (LH) |
| 19 | PS04384 | 1 | | CONTROL HANDLE - (RH) |
| 20 | 983815001 | 1 | S | TRIGGER-Throttle |
| 21 | 82537 | 4 | /P | SCREW-Taptite (10-14 x 7/8") |
| 22 | 0883202 | 1 | S/P | CABLE-Throttle |

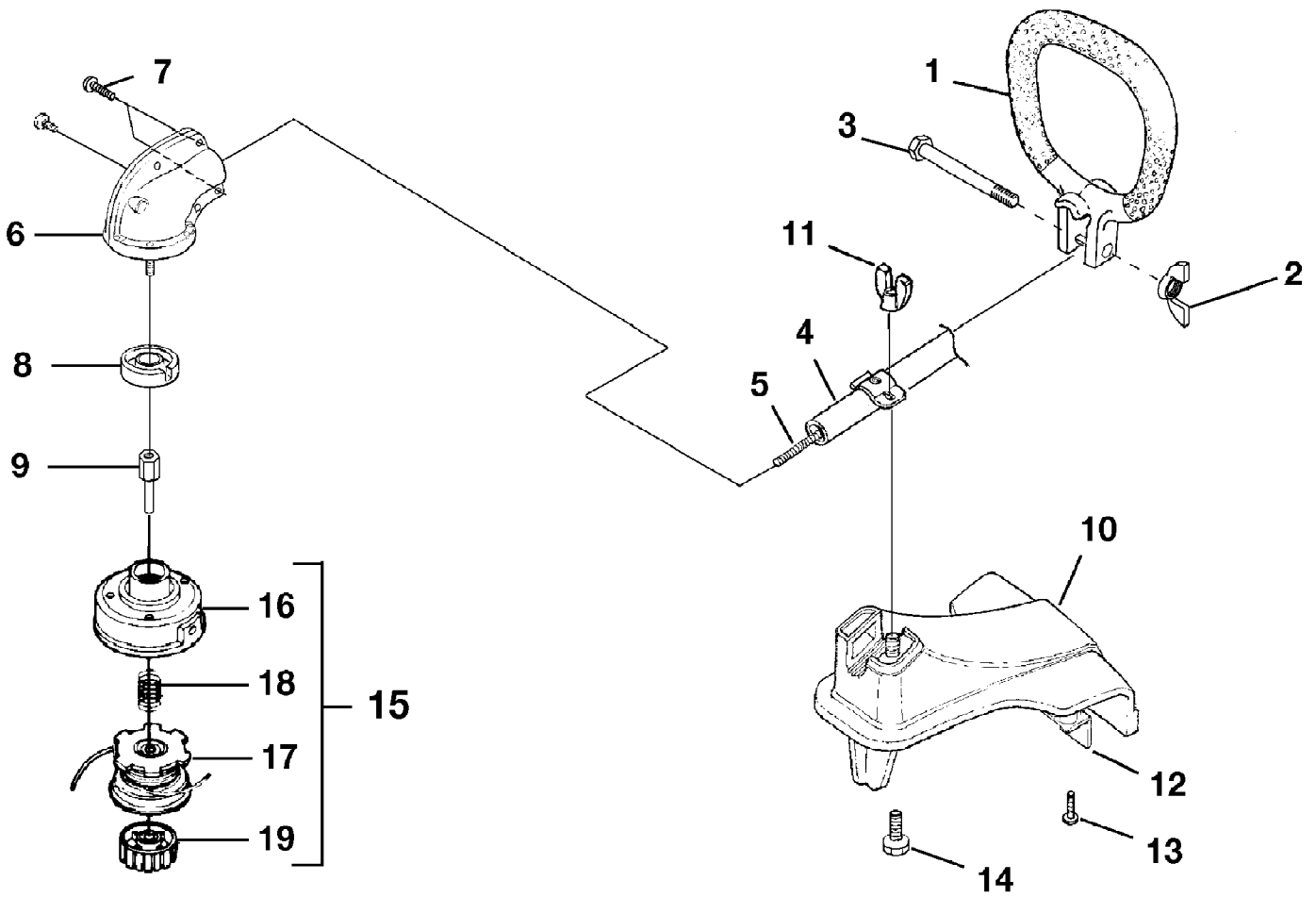


| Item No. | Torque Specs | | Required Loctite |
|----------|--------------|---------|------------------|
| | In/Lbs | Nm | |
| 1 | 25-35 | 2.8-4.0 | |
| 4 | 50-60 | 5.6-6.8 | |
| 8 | 5-10 | .6-1.1 | |
| 10 | 30-40 | 3.4-4.5 | |

EZ Reach String Trimmer UT-20777
Muffler - Air Cleaner

Page 8 of 10

| Ref # | Part Number | Qty | S/P/F | Description |
|-------|-------------|-----|-------|------------------------------------|
| A | 984872001 | 1 | | MUFFLER ASSY. |
| 1 | 82600 | 3 | /P | SCREW, Taptite- (8-32 X 3/8") |
| 2 | 06502 | 1 | /P | SCREEN-Spark |
| 3 | PS04000 | 1 | /P | GASKET-Muffler |
| 4 | PS03999 | 2 | /P | SCREW, Truss Hd. - (10-24 X 2.188) |
| 5 | 98760 | 1 | /P | FILTER-Air |
| 6 | 06618A | 1 | /P | BUTTON-Switch |
| 7 | 95020A | 1 | /P | SPRING-Compression |
| 8 | 82513 | 1 | /P | SCREW-Thread Form (6-19 x 1/2") |
| 9 | A07238 | 1 | /P | LEAD-Electrical |
| 10 | 81208 | 2 | /P | NUT-Hex (10-24) |
| 11 | PS02156 | 1 | | COVER, Air Box |
| 12 | PS02113 | 1 | /P | BOX, Air Filter |



| Item No. | Torque Specs | | Required Loctite |
|----------|--------------|-----------|------------------|
| | In/Lbs | Nm | |
| 2 | Hand Tight | | |
| 7 | 15-20 | 1.7-2.3 | |
| 9 | 100-120 | 11.3-13.6 | |
| 11 | Hand Tight | | |
| 13 | 30-40 | 3.4-4.5 | |

EZ Reach String Trimmer UT-20777
Shaft - Spool & String - Grass Deflector

Page 10 of 10

| Ref # | Part Number | Qty | S/P/F | Description |
|-------|-------------|-----|-------|---------------------------------------|
| 1 | 98822A | 1 | /P | HANDLE-FRONT |
| 2 | 93992 | 1 | /P | NUT-Wing, Washer Faced (1/4-20) |
| 3 | 80295 | 1 | /P | SCREW-Cap Hex Hd. (1/4-20 x 2") |
| 4 | PA00983A | 1 | S/P | DRIVESHAFT HOUSING ASSY. |
| 5 | 98818 | 1 | /P | SHAFT-Flexible |
| 6 | A04402C | 1 | | GEARHEAD ASSY. |
| 7 | 82597 | 5 | S/P | Screw, Taptite Hex Hd. (10-24 x 1/2") |
| 8 | 04168A | 1 | S/P | WASHER-Flanged |
| 9 | 04355 | 1 | /P | ADAPTER-Shaft |
| 10 | PA00982 | 1 | | GRASS DEFLECTOR KIT |
| 11 | PS02453 | 1 | /P | WING NUT |
| 12 | 07129 | 1 | /P | BLADE-Cut-off |
| 13 | 82546 | 2 | S/P | SCREW-Mach.Hex Hd. (10-24 X 3/8") |
| 14 | PS02435 | 1 | /P | SCREW-Square Head |
| 15 | DA03001A | 1 | S/P | STRINGHEAD-Complete (.080" Line) |
| 16 | A98231A | 1 | S/P | HOUSING & EYELET (Dual Line) |
| 17 | PA0387A | 1 | S | SPOOL & STRING (.080" Line) |
| 18 | 06713 | 1 | /P | SPRING-Compression |
| 19 | A98866A | 1 | S/P | RETAINER-Spool (RH Thread, Black) |
| | 983000111 | 1 | | OWNER'S MANUAL (NOT SHOWN) |