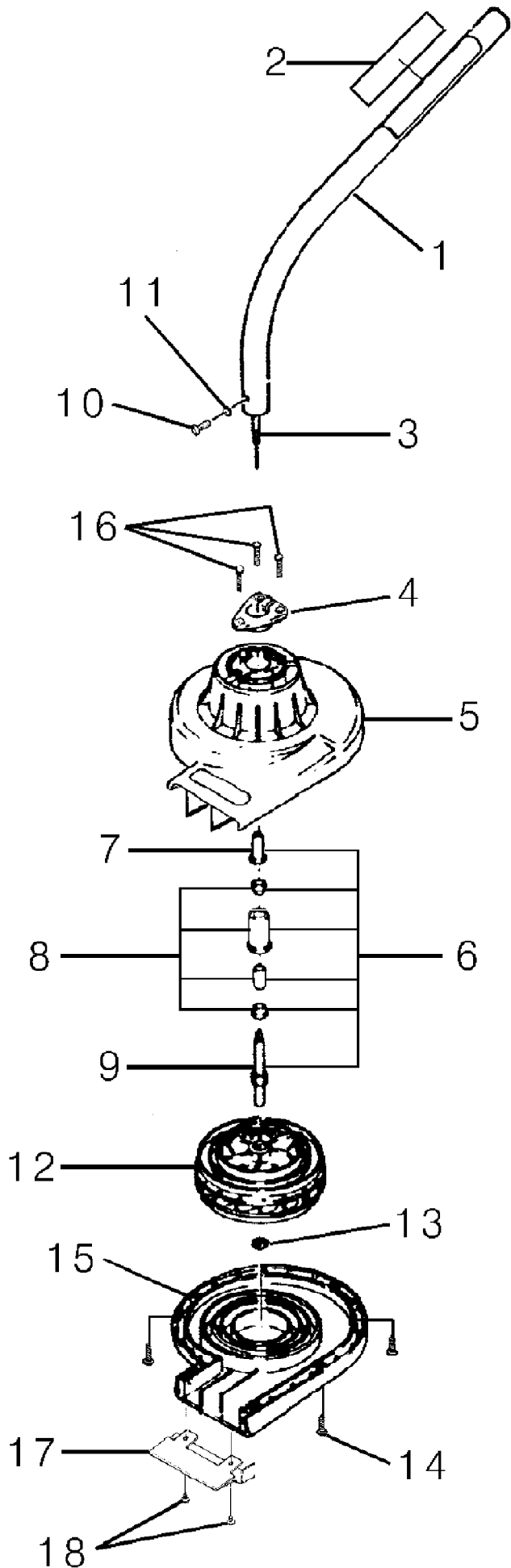


No
Diagram
Available

Parts List
Only

| Ref # | Part Number | Qty | S/P/F | Description |
|-------|-------------|-----|-------|--|
| | 18453 | 1 | /P | GREASE, MULTI-PURPOSE |
| | PS24306 | 1 | /P | MODULE AIR GAP SHIM |
| | A04191 | 1 | | GRASS ANTI-WRAP KIT |
| | 98052A | 1 | /P | STARTER ROPE (250 Ft. Reel) |
| | UP06544 | 1 | /P | TORX BIT (T25) (For Clutch Drums) |
| | UP07160 | 1 | S/P | TORX BIT (T27) |
| | JA313164 | 1 | | IGNITION TEST SPARK PLUG |
| | UP05860 | 1 | S/P | RUBBER TUBING (10 Ft.) |
| | DA03001A | 1 | S/P | STRINGHEAD-Complete - E-Z Line(TM) (.080 Line) (Right Hand Thread) (Black Retainer) |
| | DA04592A | 1 | S/P | STRINGHEAD-Complete - E-Z Line(TM) (.080 Line) (Left Hand Thread) (Red Retainer) |
| | 9801106 | 1 | | REPLACEMENT STRING - E-Z Line(TM) (3 lb. Box) (.080" Dia.) |
| | DA04591A | 1 | S/P | STRINGHEAD-Complete - E-Z Line(TM) (.095 Line) (Right Hand Thread) (Black Retainer) |
| | DA03174A | 1 | S/P | STRINGHEAD-Complete - E-Z Line(TM) (.095 Line) (Left Hand Thread) (Red Retainer) |
| | 0395904 | 1 | | REPLACEMENT STRING - E-Z Line(TM) (3 lb. Box) (.095" Dia.) |
| | DA09364 | 1 | S | STRINGHEAD-Complete-Pro-Cut(TM) Fixed Line Head (.105" Dia.) |
| | D09365 | 1 | S | REPLACEMENT Dura Line(TM) (.105" Dia.) (Cartridges for Pro-Cut(TM) Fixed Line Head) |
| | A06933 | 1 | | SAFETY GOGGLES |
| | UP03036 | 1 | /P | DUST MASK |
| | UP00108 | 1 | S | COMFORT STRAP |
| | | 1 | | BA250 (Blower Attachment) UT15511; YARDSMART(R) Attachment |
| | | 1 | | BCA250 (Brushcutter Attachment) UT15512; YARDSMART(R) Attachment |
| | | 1 | | EA250 (Edger Attachment) UT15513; YARDSMART(R) Attachment |
| | | 1 | | CA250 (Cultivator Attachment) UT15514; YARDSMART(R) Attachment |
| | D98717C | 1 | S/P | TRI-ARC(TM) BLADE FOR USE ON BRUSHCUTTER UNITS ONLY |

BC2500AZ SB String Trimmer UT-15201
Blower Attachment - BA250 (UT15511)

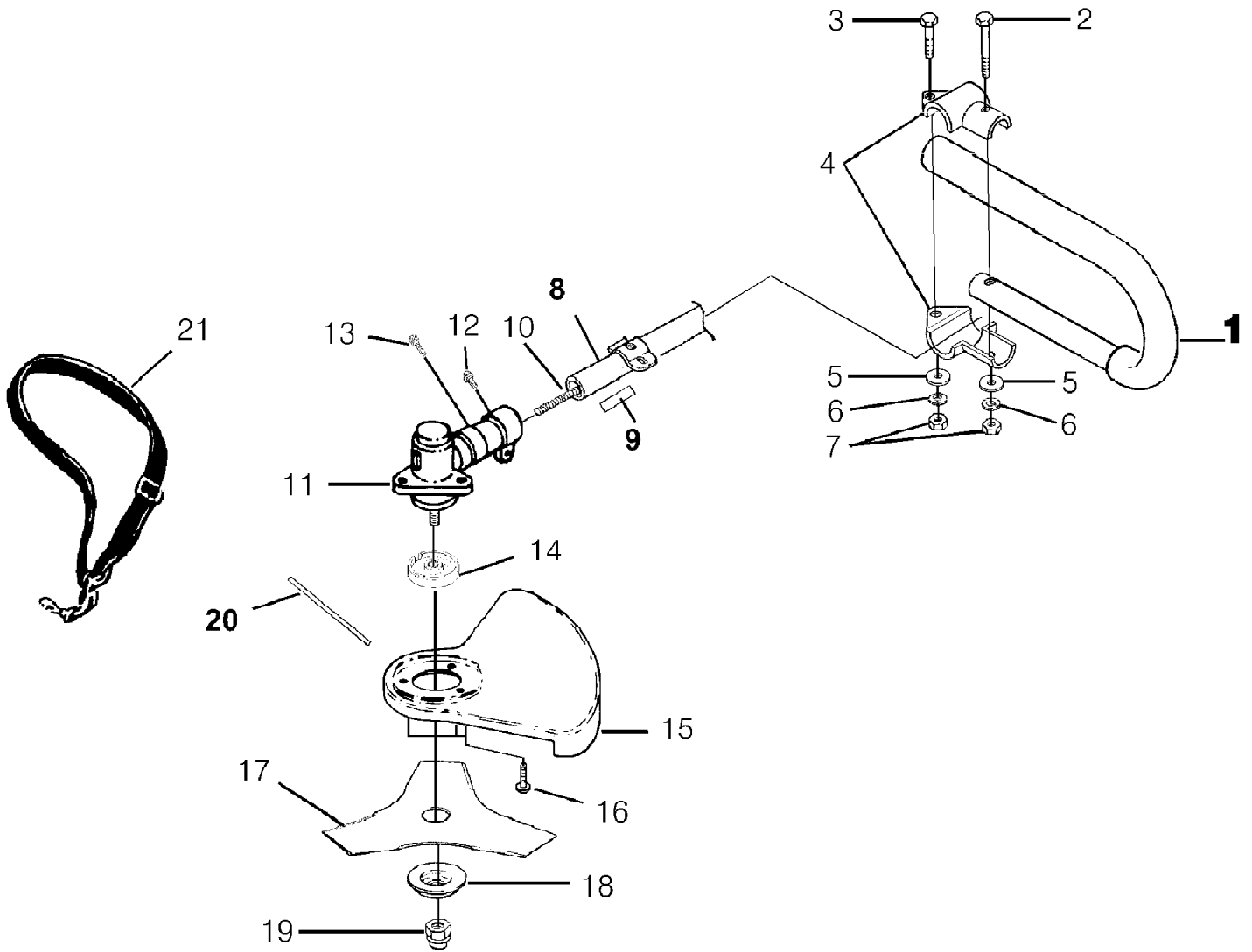


BC2500AZ SB String Trimmer UT-15201
Blower Attachment - BA250 (UT15511)

Page 4 of 20

| Ref # | Part Number | Qty | S/P/F | Description |
|-------|-------------|-----|-------|---|
| 1 | UP03920 | 1 | S | DRIVESHAFT HOUSING |
| 2 | 07852 | 1 | S | DECAL-Warning |
| 3 | UP04542 | 1 | S/F | CABLE-Flex |
| 4 | UP04142 | 1 | S | CLAMP |
| 5 | UP06874 | 1 | S/P | UPPER HOUSING |
| 6 | UP06875 | 1 | /P | BEARING HOUSING |
| 7 | UP04713 | 1 | S/P | ADAPTER-Arbor |
| 8 | UP06876 | 1 | /P | BUSHING |
| 9 | UP04699 | 1 | S/P | SHAFT-Arbor |
| 10 | UP04112 | 1 | S | SCREW (10-24 x .312") Torque Spec 25 - 35 in/lbs (2.8 - 4.0 Nm) |
| 11 | UP04123 | 1 | S/P | WASHER, Lock (#10) |
| 12 | UP04714 | 1 | S/P | IMPELLER |
| 13 | UP04701 | 1 | S | CLIP |
| 14 | UP04141 | 1 | /P | SCREW, Pan Hd. (8-16 x .750) Torque Spec 35 - 45 in/lbs (4.0 - 5.1 Nm) |
| 15 | UP04697 | 1 | S/P | LOWER HOUSING |
| 16 | UP04250 | 1 | S/P | SCREW-Thread Forming (8-16 x 1") Torque Spec 35 - 45 in/lbs (4.0 - 5.1 Nm) |
| 17 | UP04145 | 1 | S | GUARD-Lower Housing |
| 18 | GM011108 | 1 | | SCREW (10-16 x 1/4") Torque Spec 5 - 20 in/lbs (.56 - 2.3 Nm) |

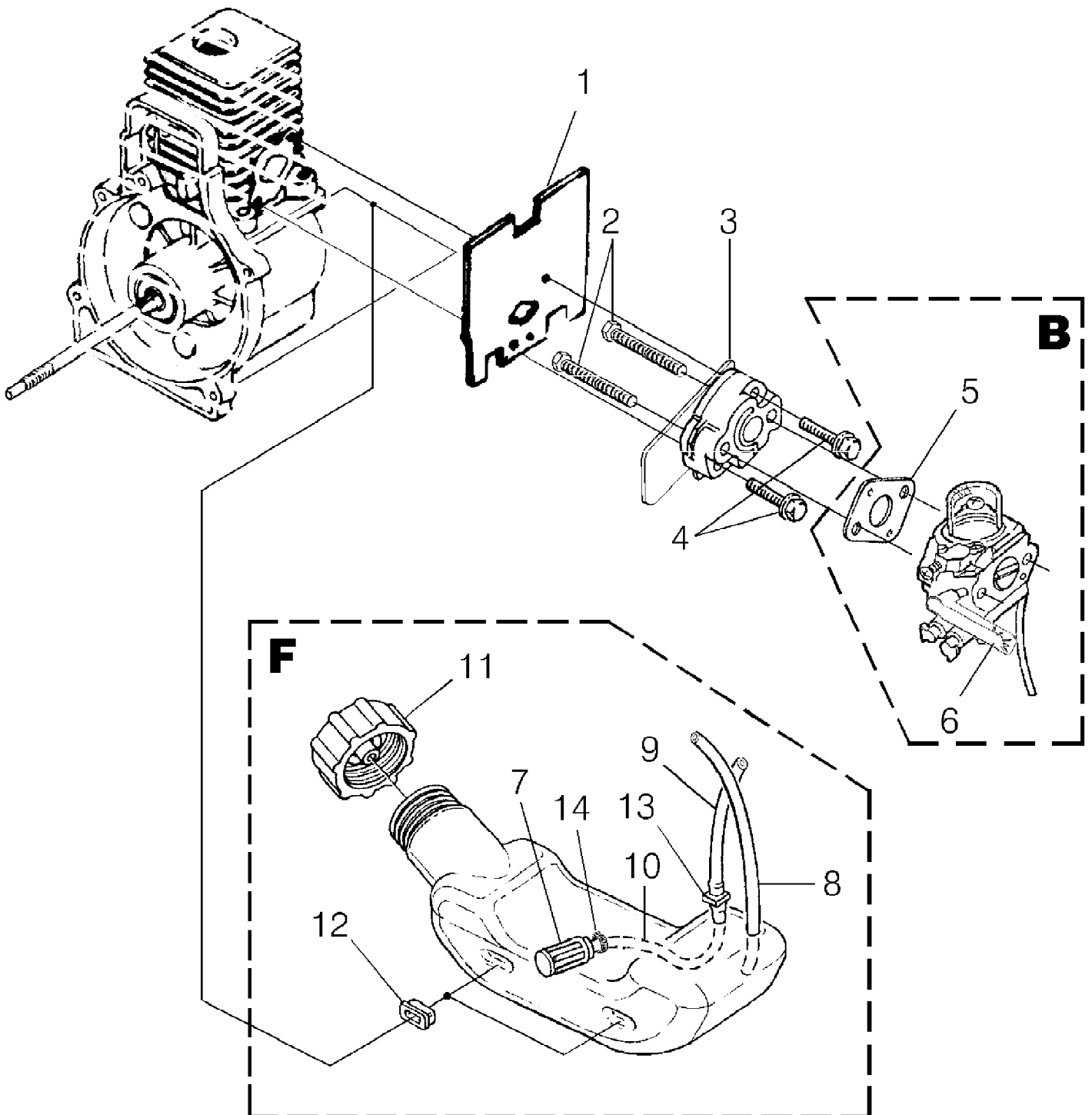
BC2500AZ SB String Trimmer UT-15201
Brushcutter Attachment - BCA250 (UT15512)



BC2500AZ SB String Trimmer UT-15201
Brushcutter Attachment - BCA250 (UT15512)

Page 6 of 20

| Ref # | Part Number | Qty | S/P/F | Description |
|-------|-------------|-----|-------|--|
| 1 | UP06534 | 1 | /P | HANDLE("J") |
| 2 | UP04154 | 1 | S | SCREW-Hex Hd. (1/4-20 X 1 1/2") |
| 3 | UP04158 | 1 | S/P | SCREW-Hex Hd. (1/4-20 X 1") |
| 4 | UP04105 | 2 | S | CLAMP-Handle Bar |
| 5 | UP04251 | 2 | S/P | WASHER-Flat (1/4") |
| 6 | UP03409 | 2 | S/P | WASHER-Lock (1/4") |
| 7 | UP03399 | 2 | S | NUT-Hex (1/4-20) Torque Spec 90 - 100 in/lbs (10.2 - 11.3 Nm) |
| 8 | UP03956 | 1 | S | DRIVESHAFT HOUSING (Lower) |
| 9 | UP04116 | 1 | S/P | DECAL-Warning |
| 10 | UP04369 | 1 | S | SHAFT-Flexible |
| 11 | UP04124 | 1 | S | GEAR HEAD |
| 12 | UP05572 | 5 | S | Screw, Cap Hd. (1/4-20 X 7/8") Torque Spec 15 - 20 in/lbs (1.7 - 2.3 Nm) |
| 13 | UP04254 | 2 | S/P | Screw-Hex Hd. (10-24 x 1/2") Torque Spec 40 - 50 in/lbs (4.5 - 5.6 Nm) |
| 14 | UP04126 | 1 | S/P | WASHER-Flanged |
| 15 | UP05070 | 1 | S/P | BLADE GUARD |
| 16 | UP04254 | 3 | S/P | SCREW |
| 17 | D98717C | 1 | S/P | BLADE-Tri-Arc(TM) |
| 18 | UP04129 | 1 | S | WASHER-Cupped (Lower) |
| 19 | UP04127 | 1 | S | NUT-Hex (L.H.) Torque Spec 100 - 120 in/lbs (11.3 - 13.6 Nm) |
| 20 | UP04100 | 1 | S | TOOL-Holding Pin |
| 21 | UP00108 | 1 | S | HARNESS |

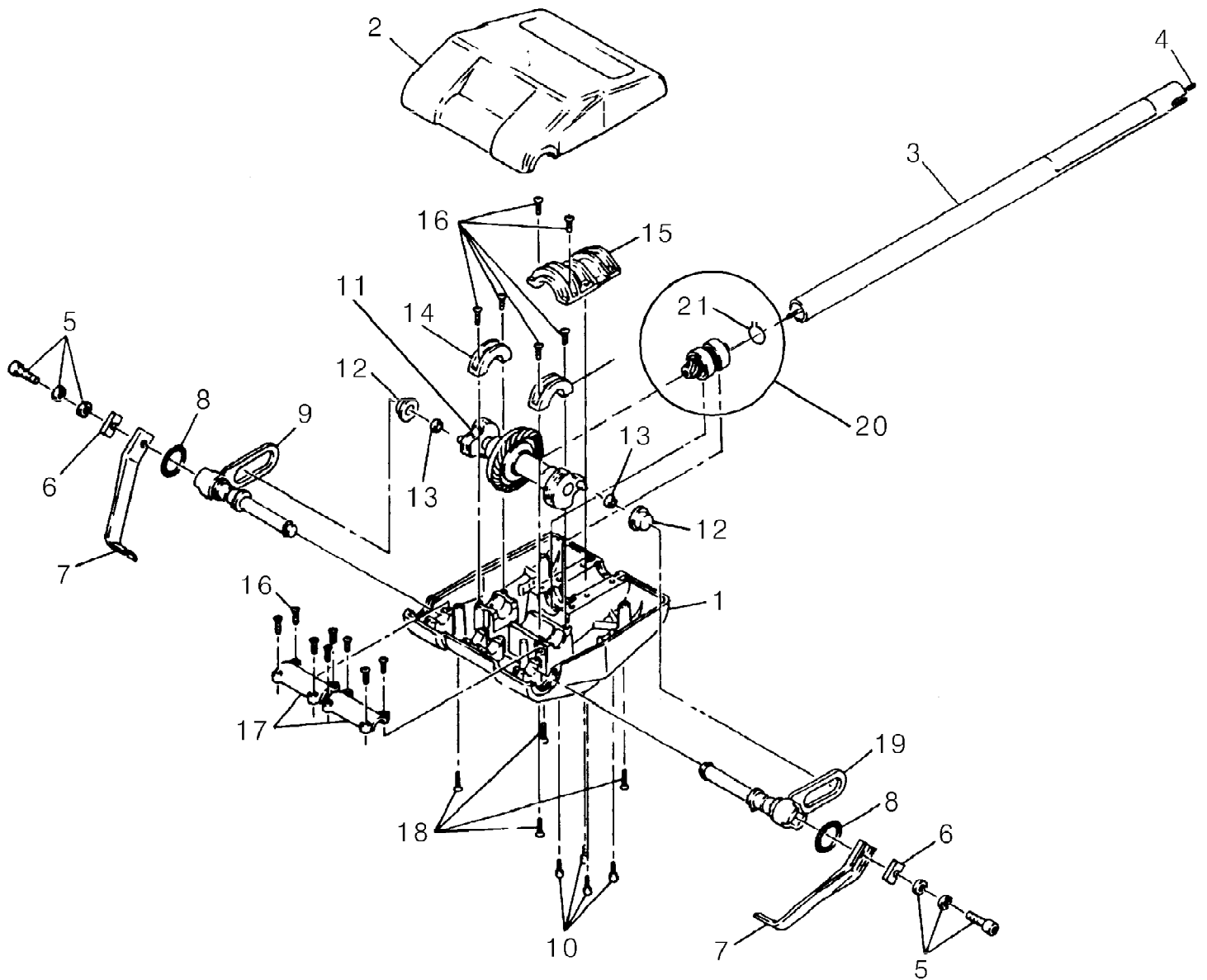


BC2500AZ SB String Trimmer UT-15201
Carburetor - Fuel Tank

Page 8 of 20

| Ref # | Part Number | Qty | S/P/F | Description |
|-------|-------------|-----|-------|--|
| 1 | UP04308 | 1 | S/P | GASKET-Heat Dam |
| 2 | UP04131 | 2 | | SCREW-Machine (10-24 X 2 1/4") |
| 3 | UP04348 | 1 | S | HEAT DAM |
| 4 | UP04140 | 2 | S | SCREW-Sems (10-24 X 1") Torque Spec 35 - 45 in/lbs (4.0 - 5.1 Nm) |
| B | UP05110 | 1 | S | CARBURETOR KIT |
| 5 | UP03916 | 1 | S | GASKET-Carburetor |
| 6 | UP05810 | 1 | /P | LEVER-Choke-Auto Zip |
| F | UP05396 | 1 | S | FUEL TANK ASSY. |
| 7 | UP03871 | 1 | S/P | FILTER-Fuel |
| 8 | UP04293 | 1 | S | TUBING-Rubber |
| 9 | UP04292 | 1 | S | TUBING-Rubber |
| 10 | UP04715 | 1 | S | TUBING-Rubber |
| 11 | UP00106 | 1 | /P | FUEL CAP |
| 12 | UP03501 | 3 | S | BUMPER-Rubber |
| 13 | UP04310 | 1 | S | FITTING-Inline |
| 14 | UP03913 | 1 | S | CLAMP |

BC2500AZ SB String Trimmer UT-15201
Cultivator Attachment - CA250 (UT15514)

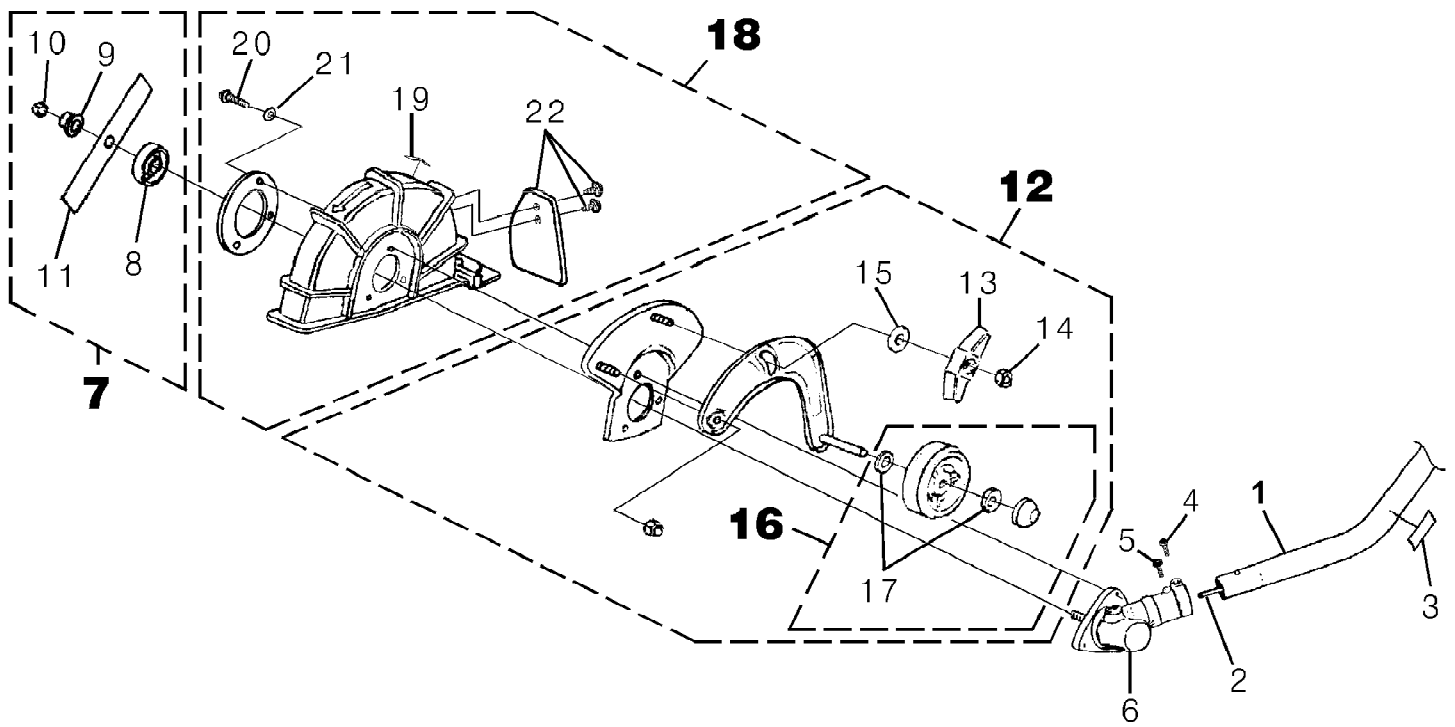


BC2500AZ SB String Trimmer UT-15201
Cultivator Attachment - CA250 (UT15514)

Page 10 of 20

| Ref # | Part Number | Qty | S/P/F | Description |
|-------|-------------|-----|-------|-----------------------------------|
| 1 | GM236103 | 1 | /P | LOWER COVER |
| 2 | A07934 | 1 | | UPPER HOUSING |
| 3 | UP04025 | 1 | S | DRIVESHAFT HOUSING |
| 4 | A08177 | 1 | /P | FLEX CABLE |
| 5 | GM970307 | 2 | /P | BOLT-Sems (1/4 - 28 x 1") |
| 6 | GM236706 | 2 | | SUPPORT-Tine |
| 7 | GM976903 | 2 | /P | TINE |
| 8 | GM235701 | 2 | S | "O" RING |
| 9 | A07868 | 1 | | ROCKER ARM (L.H.) |
| 10 | 82618 | 4 | /P | SCREW, Thread Form (10-24 x 3/4") |
| 11 | A07867 | 1 | | CRANK ASSY. |
| 12 | A07870 | 2 | | FLOATING BUSHING |
| 13 | GM236903 | 2 | S | WASHER |
| 14 | GM236106 | 2 | | CRANKSHAFT CLAMP |
| 15 | GM236104 | 1 | | SHAFT CLAMP |
| 16 | 82618 | 14 | /P | SCREW, Thread Form (10-24 x 3/4") |
| 17 | GM236105 | 2 | | SHAFT CLAMP |
| 18 | GM011308 | 4 | | SCREW (8-16 x 1") |
| 19 | A07869 | 1 | | ROCKER ARM (R.H.) |
| 20 | A07866 | 1 | | PINNON GEAR & BEARING |
| 21 | GM062101 | 1 | S | SNAP RING |

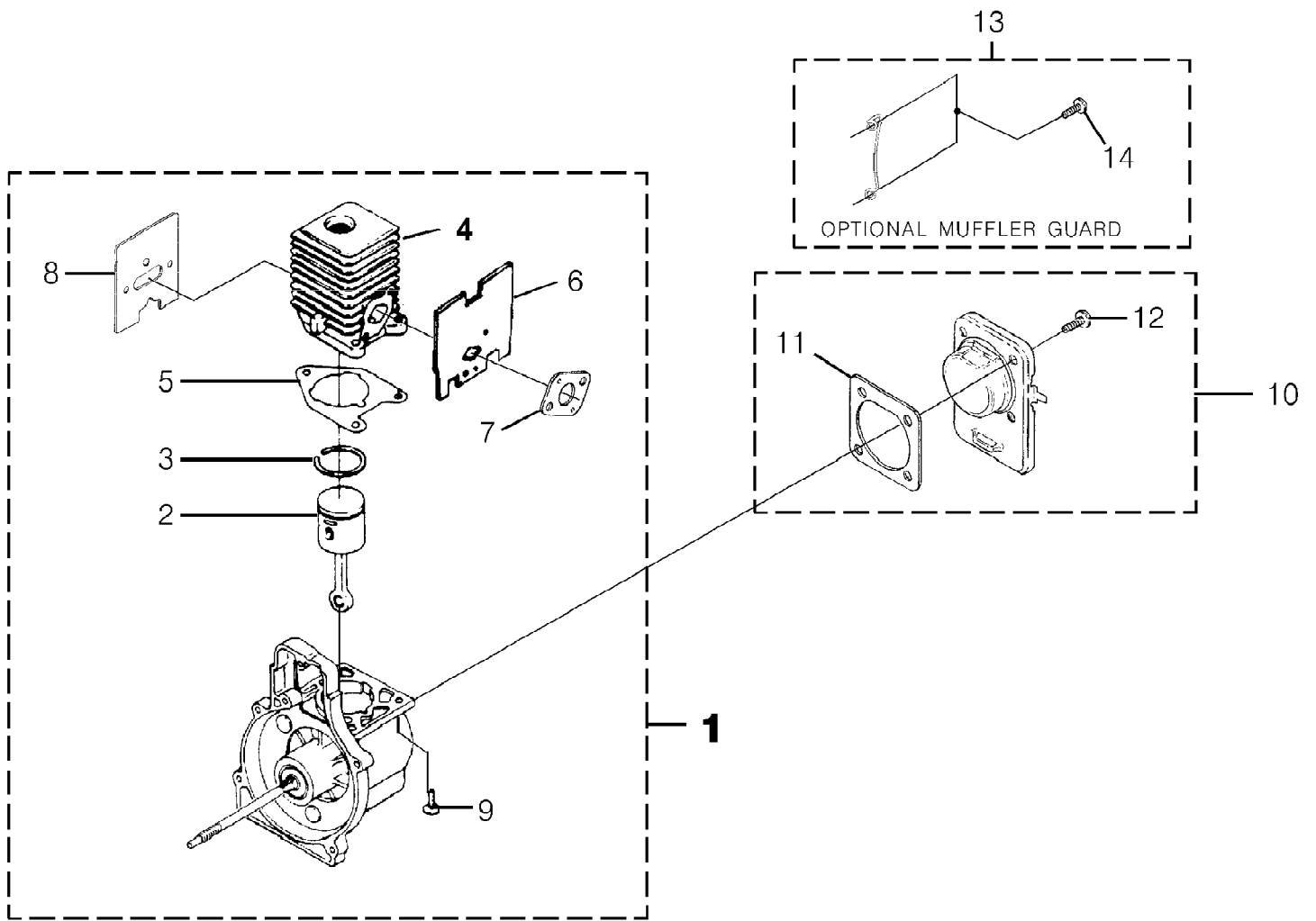
BC2500AZ SB String Trimmer UT-15201
Edger Attachment - EA250 (UT15513)



BC2500AZ SB String Trimmer UT-15201
Edger Attachment - EA250 (UT15513)

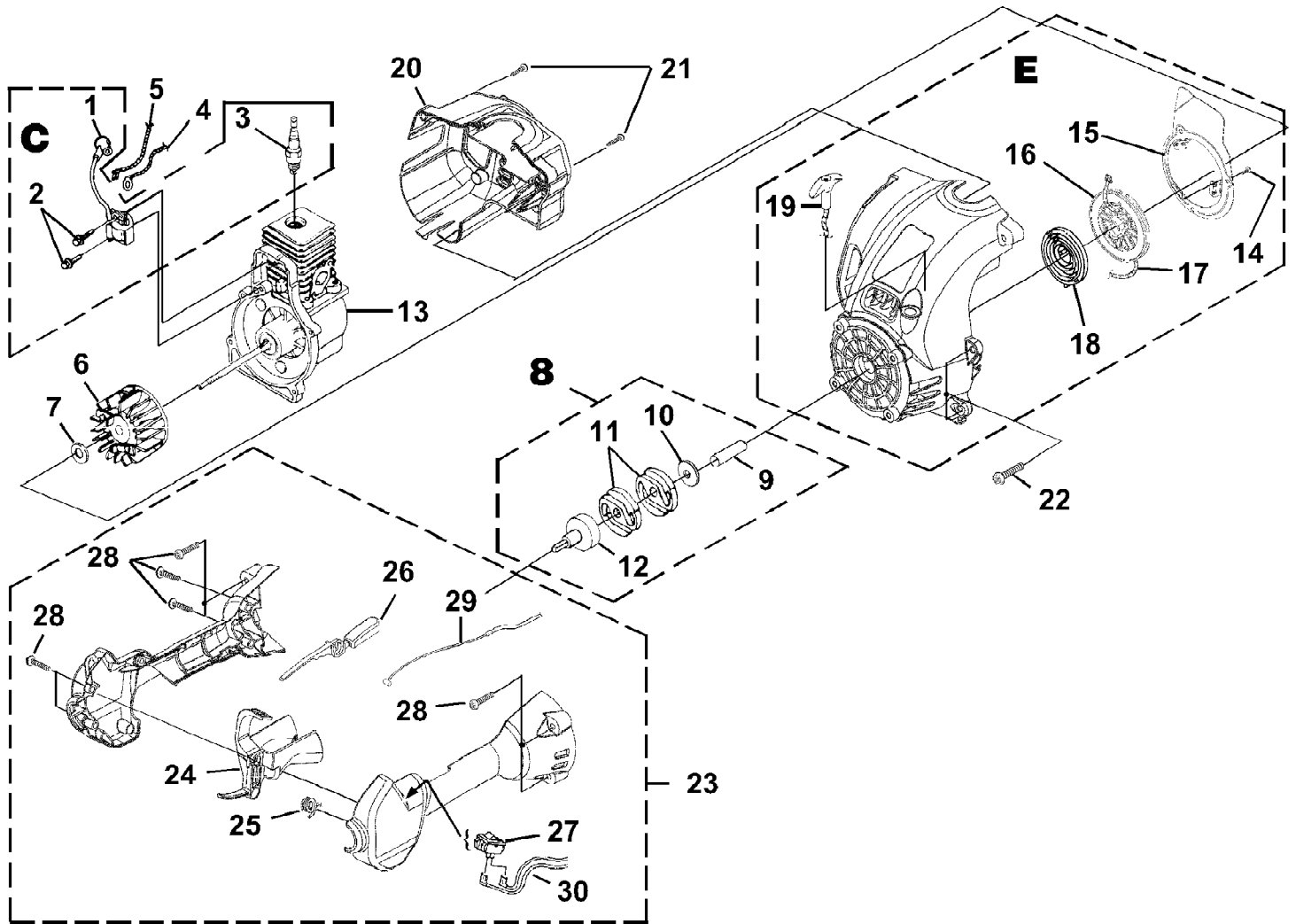
Page 12 of 20

| Ref # | Part Number | Qty | S/P/F | Description |
|-------|-------------|-----|-------|---|
| 1 | UP03921 | 1 | S | DRIVESHAFT HOUSING |
| 2 | UP04369 | 1 | S | SHAFT-Flexible |
| 3 | UP04116 | 1 | S/P | DECAL-Warning |
| 4 | UP05572 | 1 | S | SCREW-Cap Socket Hd. (1/4-20 X 7/8") Torque Spec 40 - 50 in/lbs (4.5 - 5.6 Nm) |
| 5 | UP04254 | 1 | S/P | SCREW-Sems Hex Hd. (10-24 X 1/2") Torque Spec 40 - 50 in/lbs (4.5 - 5.6 Nm) |
| 6 | UP04124 | 1 | S | GEAR HEAD |
| 7 | UP06879 | 1 | /P | BLADE KIT |
| 8 | UP04126 | 1 | S/P | WASHER-Flanged |
| 9 | UP04129 | 1 | S | WASHER-Flanged (Lower) |
| 10 | UP04127 | 1 | S | NUT-Lock Torque Spec 100 - 120 in/lbs (11.3 - 13.6 Nm) |
| 11 | D04359A | 1 | /P | BLADE (2" X 9") (Qty.-2) |
| 12 | UP06881 | 1 | S/P | SUPPORT ARM ASSEMBLY |
| 13 | UP04132 | 1 | S/P | KNOB-Adjusting |
| 14 | UP03397 | 1 | | NUT-Hex |
| 15 | UP04252 | 1 | S/P | WASHER-Flat |
| 16 | UP06882 | 1 | | WHEEL KIT |
| 17 | UP04252 | 2 | S/P | WASHER-Flat |
| 18 | UP06738 | 1 | S/P | GUARD KIT |
| 19 | UP04532 | 1 | S/P | DECAL-Warning |
| 20 | UP04155 | 3 | S | SCREW-Hex Hd. (10-24 X 5/8") Torque Spec 40 - 50 in/lbs (4.5 - 5.6 Nm) |
| 21 | UP03411 | 3 | | WASHER-Lock (#10) |
| 22 | UP06883 | 1 | /P | FLAP KIT |



| Ref # | Part Number | Qty | S/P/F | Description |
|-------|-------------|-----|-------|---|
| 1 | UP02995 | 1 | S | SHORT BLOCK |
| 2 | UP00768 | 1 | S/P | PISTON & ROD ASSY. |
| 3 | UP03838 | 1 | S/P | RING-Piston |
| 4 | UP04136 | 1 | S | CYLINDER ASSY. |
| 5 | UP03857 | 1 | S/P | GASKET-Cylinder |
| 6 | UP04308 | 1 | S/P | GASKET-Heat Dam |
| 7 | UP03916 | 1 | S | GASKET-Carburetor |
| 8 | UP04710 | 1 | S | GASKET-Muffler |
| 9 | UP04345 | 3 | S/P | SCREW-Sems (12-24 X 3/4") Torque Spec 55 - 65 in/lbs (6.2 - 7.3 Nm); Required Loctite Red 262 |
| 10 | UP00019 | 1 | S | CRANKCASE COVER ASSEMBLY |
| 11 | UP04335 | 1 | S | GASKET-Crankcase Cover (Also included w/short block) |
| 12 | UP04295 | 4 | S/P | SCREW-Sems (10-24 X 1/2") Torque Spec 35 - 45 in/lbs (4.0 - 5.1 Nm); Required Loctite Red 262 |
| 13 | UP00027 | 3 | S | MUFFLER GUARD |
| 14 | UP03897 | 2 | S | SCREW-Plastite (10-14 X 1/2") Torque Spec 5 - 20 in/lbs (.6 - 2.3 Nm) |

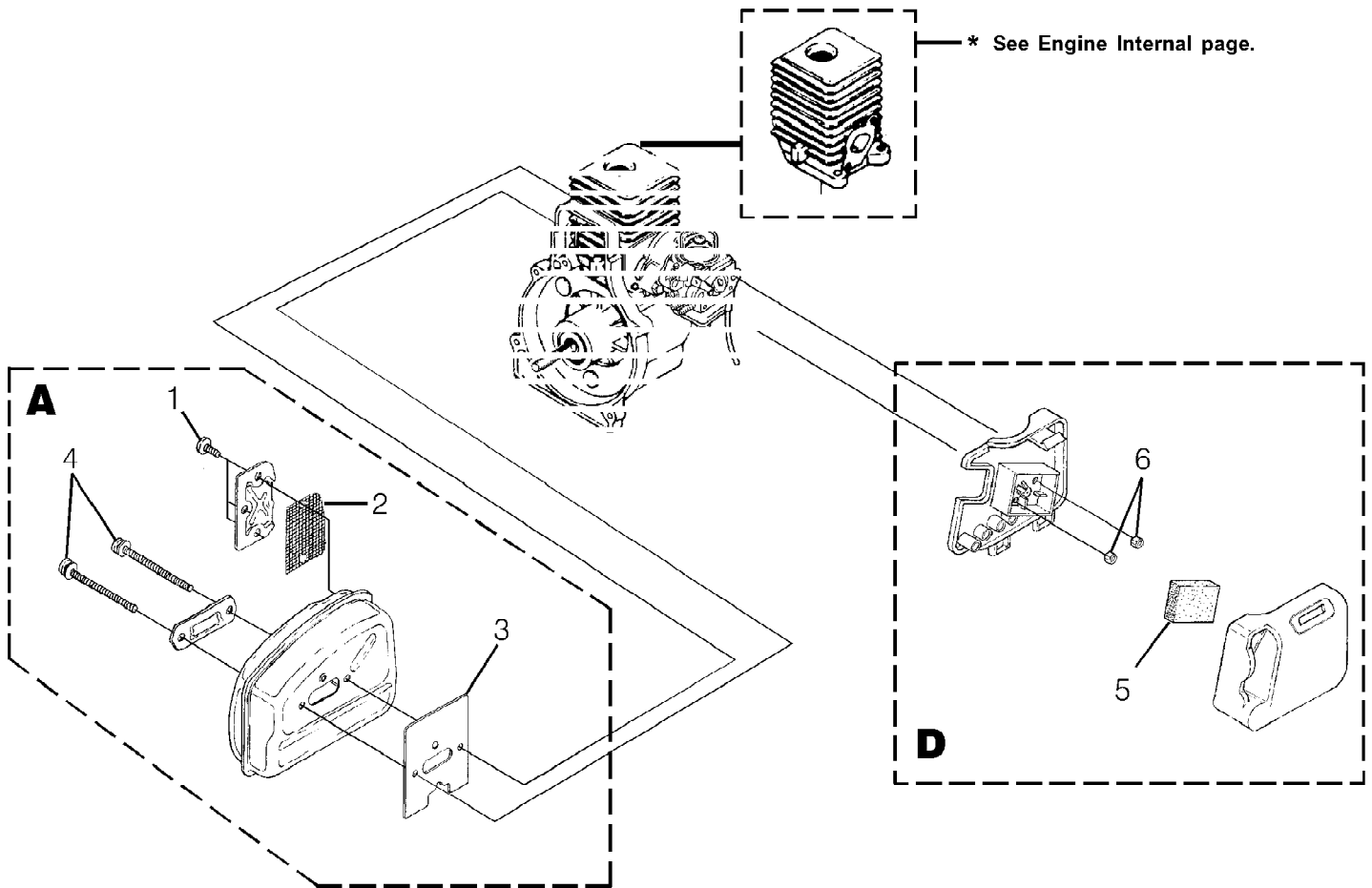
BC2500AZ SB String Trimmer UT-15201
Ignition - Rotor - Starter - Clutch



BC2500AZ SB String Trimmer UT-15201
Ignition - Rotor - Starter - Clutch

Page 16 of 20

| Ref # | Part Number | Qty | S/P/F | Description |
|-------|-------------|-----|-------|--|
| C | UP05270 | 1 | | IGNITION KIT |
| 1 | UP03868 | 1 | S/P | TERMINAL & COVER |
| 2 | UP03896 | 2 | S/P | SCREW-Taptite (8-32 X 1") Torque Spec 30 - 40 in/lbs (3.4 - 4.5 Nm); Required Loctite Blue 242 |
| 3 | UP03883 | 1 | /P | SPARK PLUG Torque Spec 120 - 180 in/lbs (13.6 - 20.3 Nm) |
| 4 | UP04537 | 1 | S | LEAD-Electrical |
| 5 | UP04536 | 1 | S | LEAD-Electrical |
| 6 | UP03009 | 1 | | ROTOR KIT |
| 7 | UP04241 | 1 | S/P | WASHER-Flat |
| 8 | UP00034 | 1 | S | CLUTCH AND DRUM KIT |
| 9 | UP04118 | 1 | /P | SPACER |
| 10 | UP04275 | 1 | S | WASHER-Flat |
| 11 | UP04103 | 2 | S | CLUTCH |
| 12 | UP04104 | 1 | S/P | CONNECTOR AND DRUM Torque Spec 10 - 20 in/lbs (1.1 - 2.3 Nm) |
| 13 | UP02995 | 1 | S | SHORT BLOCK (See "Engine Internal" illustration and parts list) |
| E | UP02962 | 1 | S | COMPLETE STARTER ASSEMBLY |
| 14 | UP04164 | 3 | S | SCREW-Thread Form (8-16 X 1/2") |
| 15 | UP03013 | 1 | S | BAFFLE-Air |
| 16 | UP03012 | 1 | S | PULLEY-Starter |
| 17 | UP03912 | 1 | S | ROPE-Starter (42") |
| 18 | UP03917 | 1 | S | SPRING & CONTAINER |
| 19 | UP03026 | 1 | S | GRIP-Starter (Yellow) |
| 20 | UP02965 | 1 | | HOUSING-Rear Kit |
| 21 | UP03895 | 2 | S | SCREW-Plastite (10-14 X 7/8") Torque Spec 30 - 50 in/lbs (3.4 - 5.6 Nm) |
| 22 | UP03406 | 4 | S | SCREW-Taptite (10-24 X 3/4") Torque Spec 30 - 40 in/lbs (3.4 - 4.5 Nm) |
| 23 | UP03114 | 1 | S/P | CONTROL HANDLE ASSY. |
| 24 | UP03207 | 1 | S/P | TRIGGER-Throttle |
| 25 | UP03210 | 1 | S | SPRING |
| 26 | UP03173 | 1 | S | THROTTLE INTERLOCK |
| 27 | UP04197 | 1 | S/P | SWITCH |
| 28 | UP04247 | 9 | S | SCREW-Taptite (10-14 X 1") Torque Spec 30 - 50 in/lbs (3.4 - 5.6 Nm) |
| 29 | UP03172 | 1 | S | CABLE-Throttle |
| 30 | UP03174 | 1 | S | LEAD-Electrical |

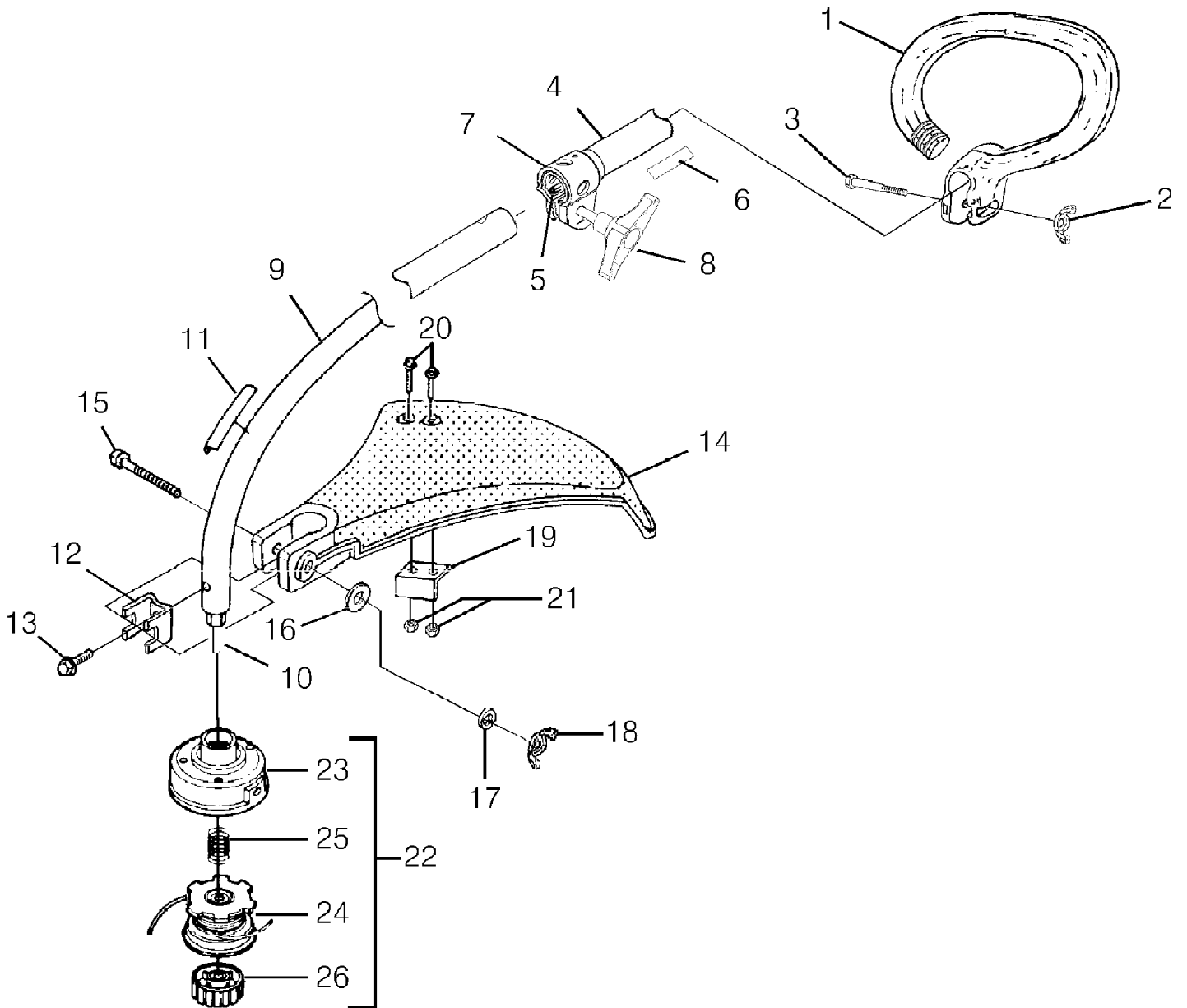


BC2500AZ SB String Trimmer UT-15201
Muffler - Air Cleaner

Page 18 of 20

| Ref # | Part Number | Qty | S/P/F | Description |
|-------|-------------|-----|-------|--|
| A | UP04634 | 1 | S/P | MUFFLER ASSY. |
| 1 | UP04248 | 3 | S | SCREW, Taptite- (8-32 X 3/8") Torque Spec 25 - 35 in/lbs (2.8 - 4.0 Nm) |
| 2 | UP04629 | 1 | S | SCREEN-Spark |
| 3 | UP04710 | 1 | S | GASKET-Muffler |
| 4 | UP04258 | 2 | S | SCREW, Truss Hd. - (10-24 X 2.188) Torque Spec 50 - 60 in/lbs (5.6 - 6.8 Nm) |
| D | UP05084 | 1 | S | AIR FILTER KIT |
| 5 | D98760B | 1 | S | FILTER-AIR |
| 6 | UP03885 | 2 | S | NUT-Hex (10-24) Torque Spec 30 - 40 in/lbs (3.4 - 4.5 Nm) |

BC2500AZ SB String Trimmer UT-15201
Shaft - Spool & String - Grass Deflector



BC2500AZ SB String Trimmer UT-15201
Shaft - Spool & String - Grass Deflector

Page 20 of 20

| Ref # | Part Number | Qty | S/P/F | Description |
|-------|-------------|-----|-------|---|
| 1 | UP06959 | 1 | S/P | HANDLE-Anti-Vibe |
| 2 | UP04262 | 1 | S/P | NUT-Wing, Washer Faced (1/4-20) Torque Spec 5 - 25 in/lbs (.6 - 2.8 Nm) |
| 3 | UP06523 | 1 | S/P | SCREW-Cap Hex Hd. (1/4-20 x 2") |
| 4 | UP05136 | 1 | S | DRIVESHAFT ASSY. (Upper) |
| 5 | A07667 | 1 | S/P | FLEXSHAFT w/Collar & Liner |
| 6 | UP04116 | 1 | S/P | DECAL-Warning |
| 7 | UP03839 | 1 | S | COUPLER ASSEMBLY |
| 8 | UP05137 | 1 | S | KNOB |
| 9 | UP03851 | 1 | S | DRIVESHAFT HOUSING (Lower) |
| 10 | UP04541 | 1 | S | SHAFT-Flex |
| 11 | UP04352 | 1 | S/P | DECAL-Warning |
| 12 | UP04137 | 1 | /P | CLAMP |
| 13 | UP04256 | 1 | S/P | SCREW-Sems Hex (10-24 X 3/8") Torque Spec 15 - 25 in/lbs (1.7 - 2.8 Nm) |
| 14 | UP06710 | 1 | S/P | DEFLECTOR & BLADE KIT (55 Deg.) |
| 15 | UP06523 | 1 | S/P | SCREW-Cap Hex Hd. (1/4-20 X 2") |
| 16 | UP03415 | 1 | S/P | WASHER-Flat (1/4") |
| 17 | UP03409 | 1 | S/P | WASHER-Lock (1/4") |
| 18 | UP04262 | 1 | S/P | NUT-Wing, Washer Faced (1/4-20) Torque Spec 5 - 25 in/lbs (.6 - 2.8 Nm) |
| 19 | UP04119 | 1 | /P | BLADE-Cut-Off |
| 20 | UP04159 | 2 | S | SCREW-Mech. Hex Hd. (10-24 X 7/8") |
| 21 | UP03885 | 2 | S | NUT-Hex (10-24) Torque Spec 30 - 40 in/lbs (3.4 - 4.5 Nm) |
| 22 | DA03001A | 1 | S/P | STRINGHEAD-Complete (.080") |
| 23 | UP06567 | 1 | S | HOUSING & EYELET (Dual Line) |
| 24 | UP00145 | 1 | S/P | SPOOL & STRING (.080") |
| 25 | UP06526 | 1 | S/P | SPRING-Compression |
| 26 | DA98866A | 1 | S | RETAINER-Spool (R.H. Thread, Black) |