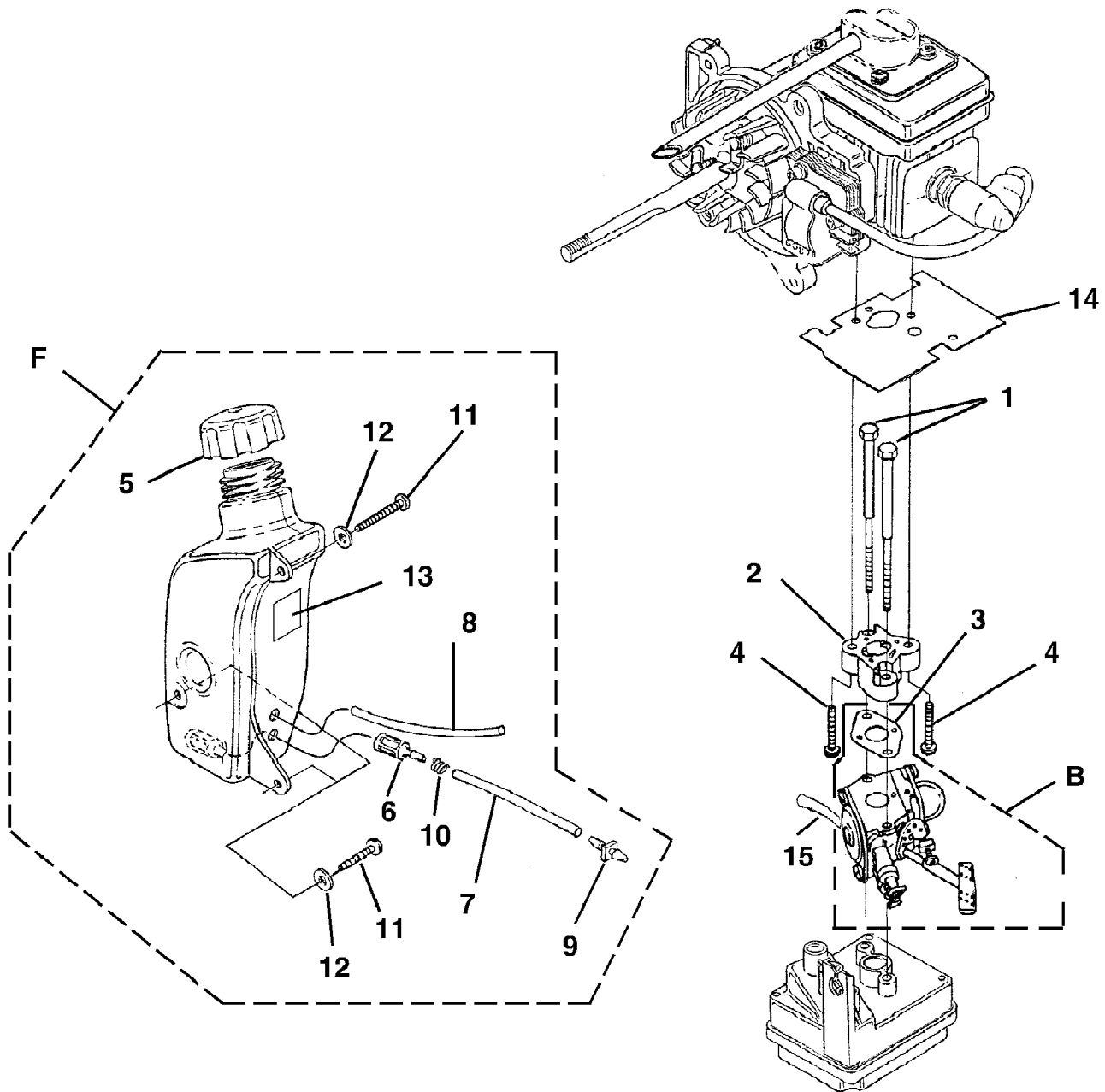


d25mhv Blower UT-08067-C  
 Carburetor - Fuel Tank



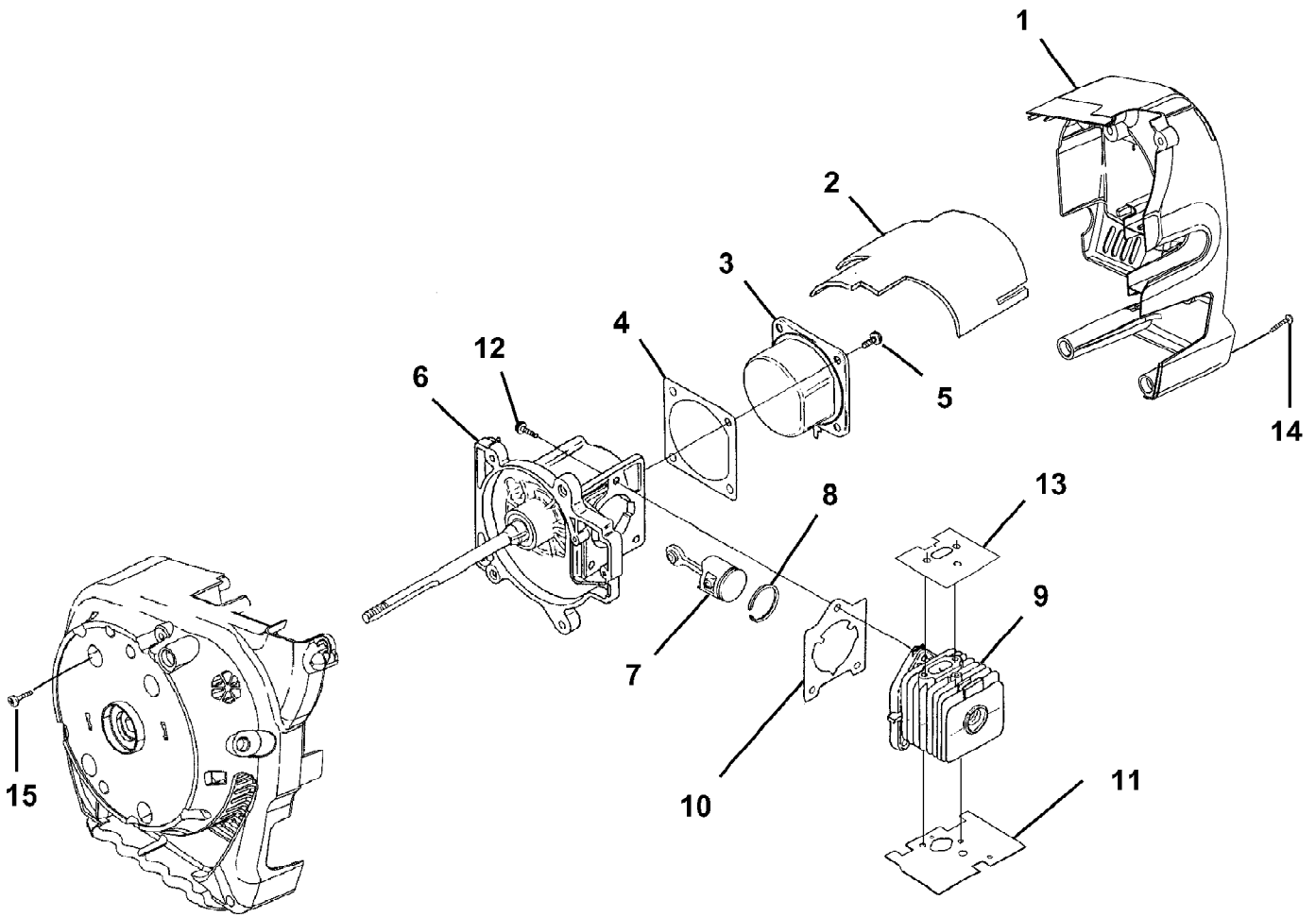
Item No.	Torque Specs		Required Loctite
	In/Lbs	Nm	
1	30-40	3.4-4.5 **	
4	50-60	5.6-6.8	262 Red
11	30-40	3.0-4.0	

\*\* See Torque Specs, page 4 - Item 10

d25mhv Blower UT-08067-C  
Carburetor - Fuel Tank

Page 2 of 16

Ref #	Part Number	Qty	S/P/F	Description
1	PS06881	2	/P	Screw, Machine (10-24 x 2.8)
2	PS04357	1	/P	Heat Dam
B	UP00608A	1	/P	Carburetor Kit Includes item 3
3	98766A	1	S/P	Gasket, Carburetor Also included with Cylinder Kit.
4	093221	2	S/P	Screw, Sems (10-24 x 1") Also included with Cylinder Kit.
F	UP00495A	1	/P	Fuel Tank Assy. Includes items 5-13
5	A09116	1	S/P	Fuel Cap
6	PS03380	1	/P	Fuel Filter
7	9477212	1	/P	Tubing, Rubber (3")
8	0143920	1	/P	Tubing, Rubber (5")
9	07332	1	S/P	Fitting, Inlet (small for 2.5mm ID fuel line)
	02067	1	/P	Fitting, Inlet (large for 3mm ID fuel line)
10	98268	1	S/P	Clamp, Wire
11	82563	3	/P	Screw, Thread Forming (10-14 x 3/4)
12	12789	3	/P	Washer
13	08684	1	S/P	Heat Shield
14	06900A	1	/P	Gasket, Heat Dam Also included with Cylinder Kit.
15	0143920	1	/P	Tubing, Rubber (5")

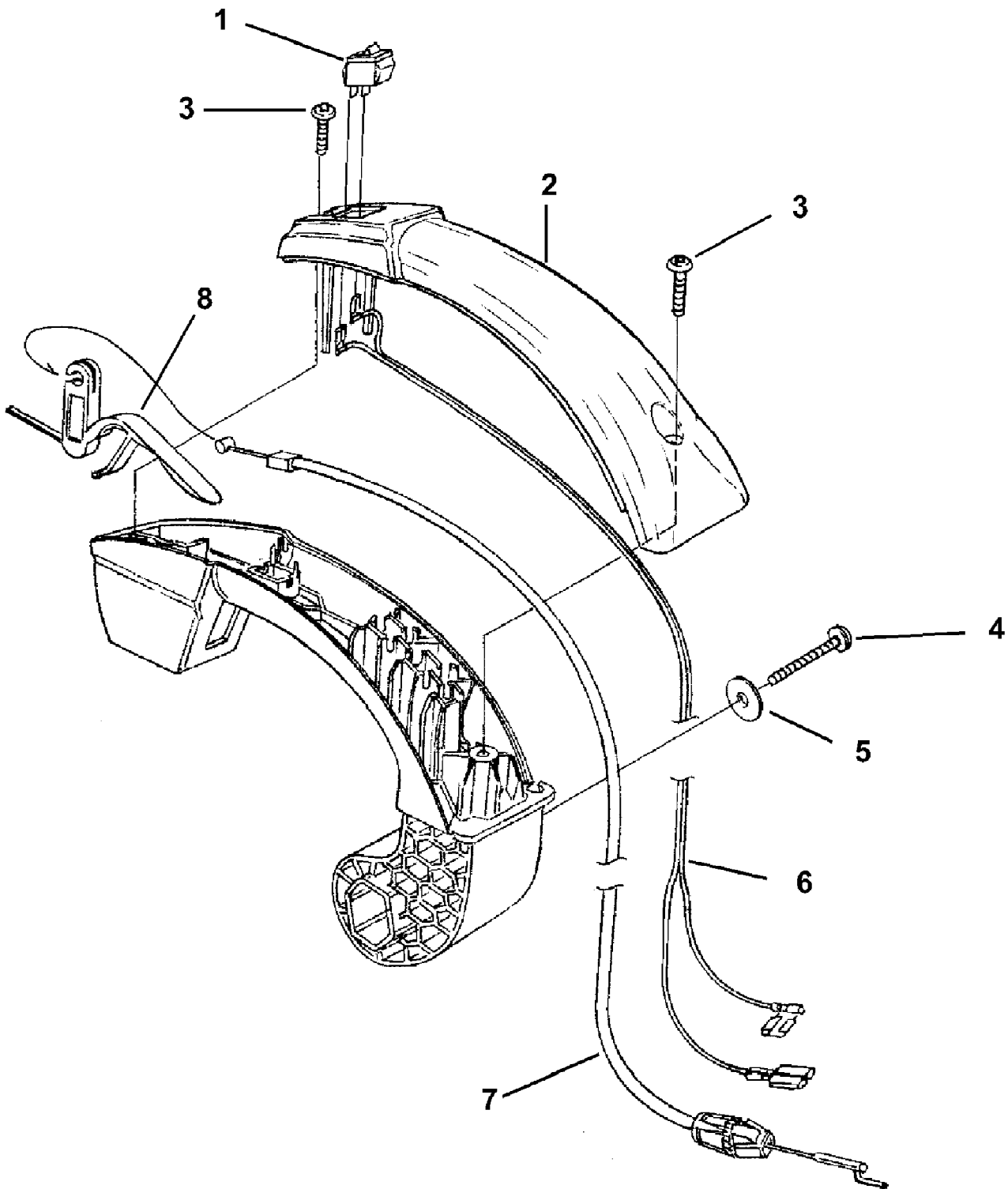


Item No.	Torque Specs		Required Loctite
	In/Lbs	Nm	
5	35-45	4.0-5.1	262 Red
12	55-65	6.2-7.3	262 Red
14	30-40	3.4-4.6	
15	55-60	6.2-6.8	

d25mhv Blower UT-08067-C  
Engine Internal

Page 4 of 16

Ref #	Part Number	Qty	S/P/F	Description
1	UP04314A	1	/P	Shroud
2	08107B	1	/P	Heat Shield, Muffler
3	UP06543A	1	/P	Crankcase Cover Kit Includes Items 4-5
4	06443A	1	S/P	Gasket, C/Case
5	PS01565	4	/P	Screw, Sems (10-24 x .560)
6	UP03369A	1	/P	Short Block (Svc) (25cc) Includes Items 7-13
7	984544001	1	/P	Piston & Rod (25cc) Includes Item 8
8	PS01359	1	S/P	Piston Ring (25cc)
9	UP04136A	1	S/P	Cylinder Kit (25cc) Includes Items 10-13
10	04388B	1	S/P	Gasket, Cylinder
11	06900A	1	/P	Gasket, Heat Dam
12	PS02807	3	/P	Screw, Sems (12-24 x 3/4)
13	00394B	1	/P	Gasket, Muffler
14	82537	5	/P	Screw, Thread Forming (10-14 x 7/8)
15	82538	4	/P	Taptite, Truss (10-24 x 3/4)

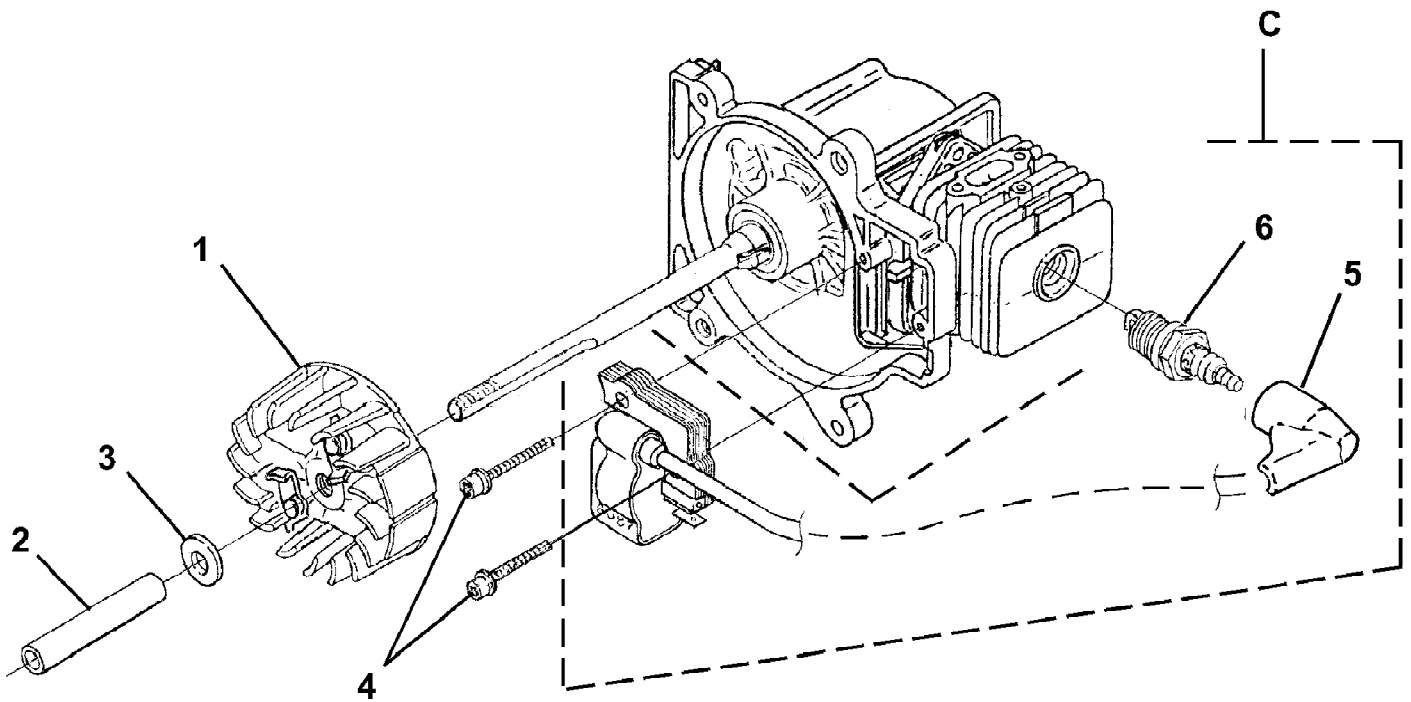


Item No.	Torque Specs		Required Loctite
	In/Lbs	Nm	
3	10-25	1.1-2.8	
4	30-45	3.4-5.1	

d25mhv Blower UT-08067-C  
Handle

Page 6 of 16

Ref #	Part Number	Qty	S/P/F	Description
	UP06900A	1	/P	Handle Assembly Includes Items 1-8
1	UP04320A	1	S/P	Switch, Rocker (Stop)
2	08116	1	/P	Handle Cover
3	82546	2	S/P	Screw, Thread Forming (8-16 X 1/2)
4	82537	1	/P	Screw, Thread Forming (10-14 X 7/8)
5	JA995620	1	/P	Washer, Flat
6	PA01144	1	S/P	Kill Switch Lead
7	08119	1	/P	Cable, Throttle
8	08118A	1	/P	Trigger



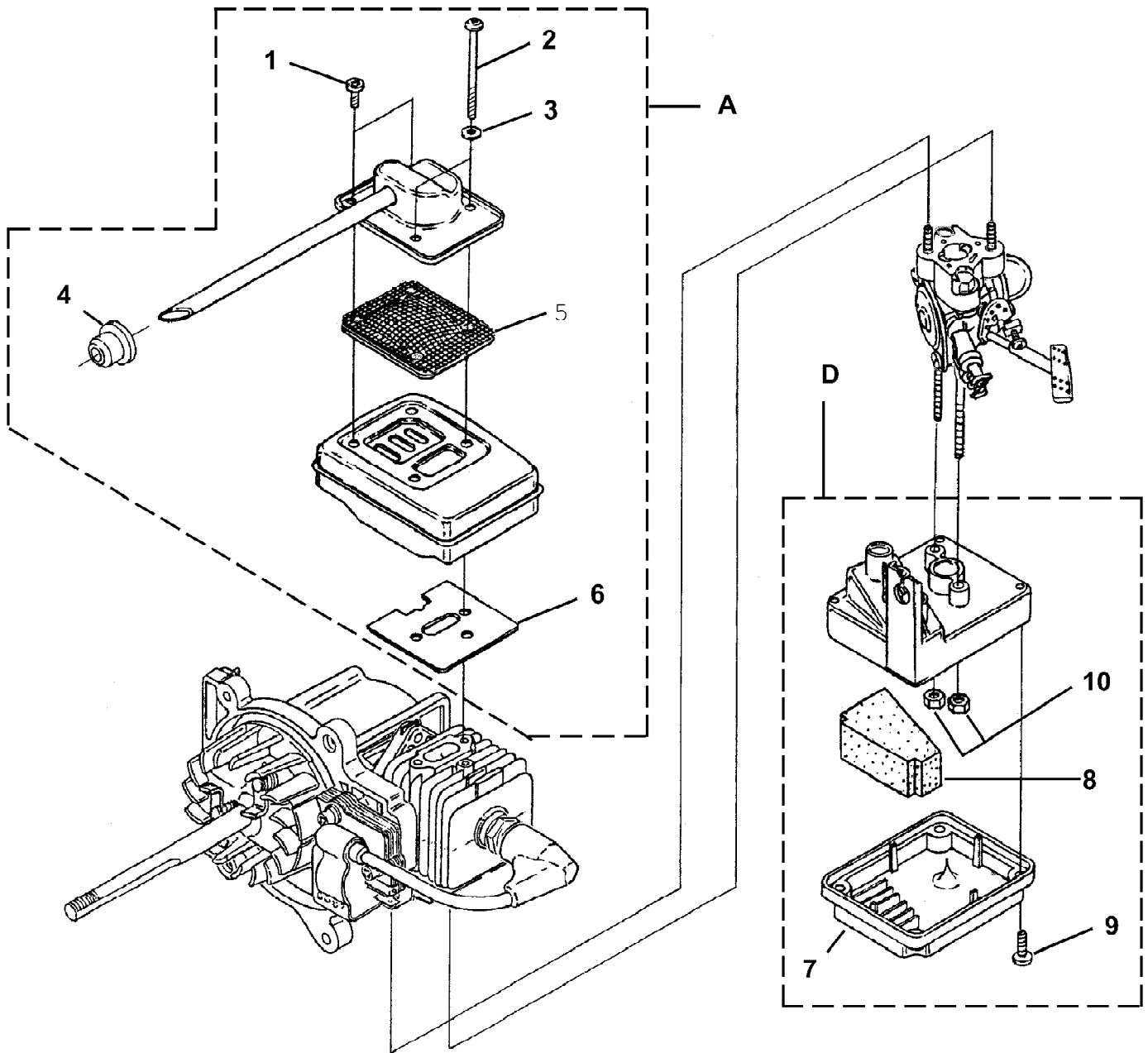
Item No.	Torque Specs		Required Loctite
	In/Lbs	Nm	
4	30-40	3.4-4.5	242 Blue
6	120-180	13.6-20.3	

d25mhv Blower UT-08067-C  
Ignition

Page 8 of 16

Ref #	Part Number	Qty	S/P/F	Description
1	984531001	1	S/P	Rotor & Starter Pawls
2	PS04650	1	/P	Spacer
3	95479A	1	/P	Washer, Flat
4	82540	2	/P	Screw-Thread Forming (8-32 X 1)
C	UP06784	1	/P	Ignition Kit w/Ignition Module Includes items 5-6
5	PS06232	1	/P	Ignition Module
6	PS02227	1	S/P	Spark Plug



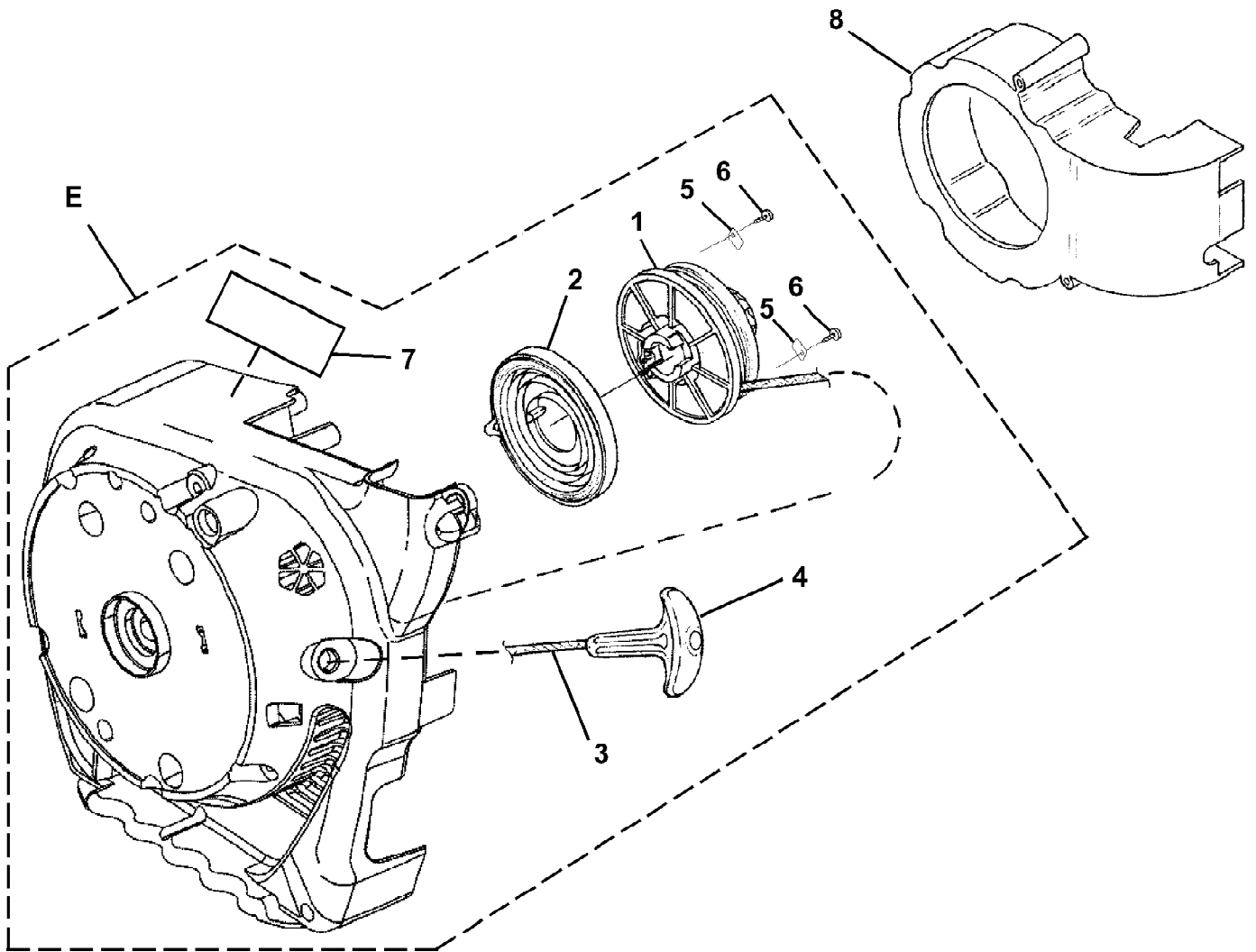


Item No.	Torque Specs		Required Loctite
	In/L.bs	Nm	
1 .....	20-30	2.3-3.4	
2 .....	50-60	5.6-6.8	
9 .....	30-40	3.4-4.5	
10 .....	30-40	3.4-4.5	

d25mhv Blower UT-08067-C  
Muffler - Air Cleaner

Page 10 of 16

Ref #	Part Number	Qty	S/P/F	Description
A	UP06823A	1	/P	Muffler Assembly, Crimped Includes items 1-6
1	82600	2	/P	Screw, Taptite (8-32 x 3/8)
2	82613	2	/P	Screw, Torx Truss Hd. (10-24 X 2.188")
3	12021	2	/P	Washer, Conical #10
4	08104	1	/P	Muffler Grommet
5	PS00429	1		Screen Assy., Spark
6	00394B	1	/P	Gasket, Muffler Also included with Short Block and Cylinder Kits.
D	UP06824A	1	S/P	Air Filter Assembly Includes items 7-10
7	07547	1	/P	Cover, Air Box
8	08108	1	/P	Filter Element #1
9	82376	4	/P	Screw, Thread Forming (8-16 X .50)
10	07589	2	/P	Nut, Lock Hex (10-24)

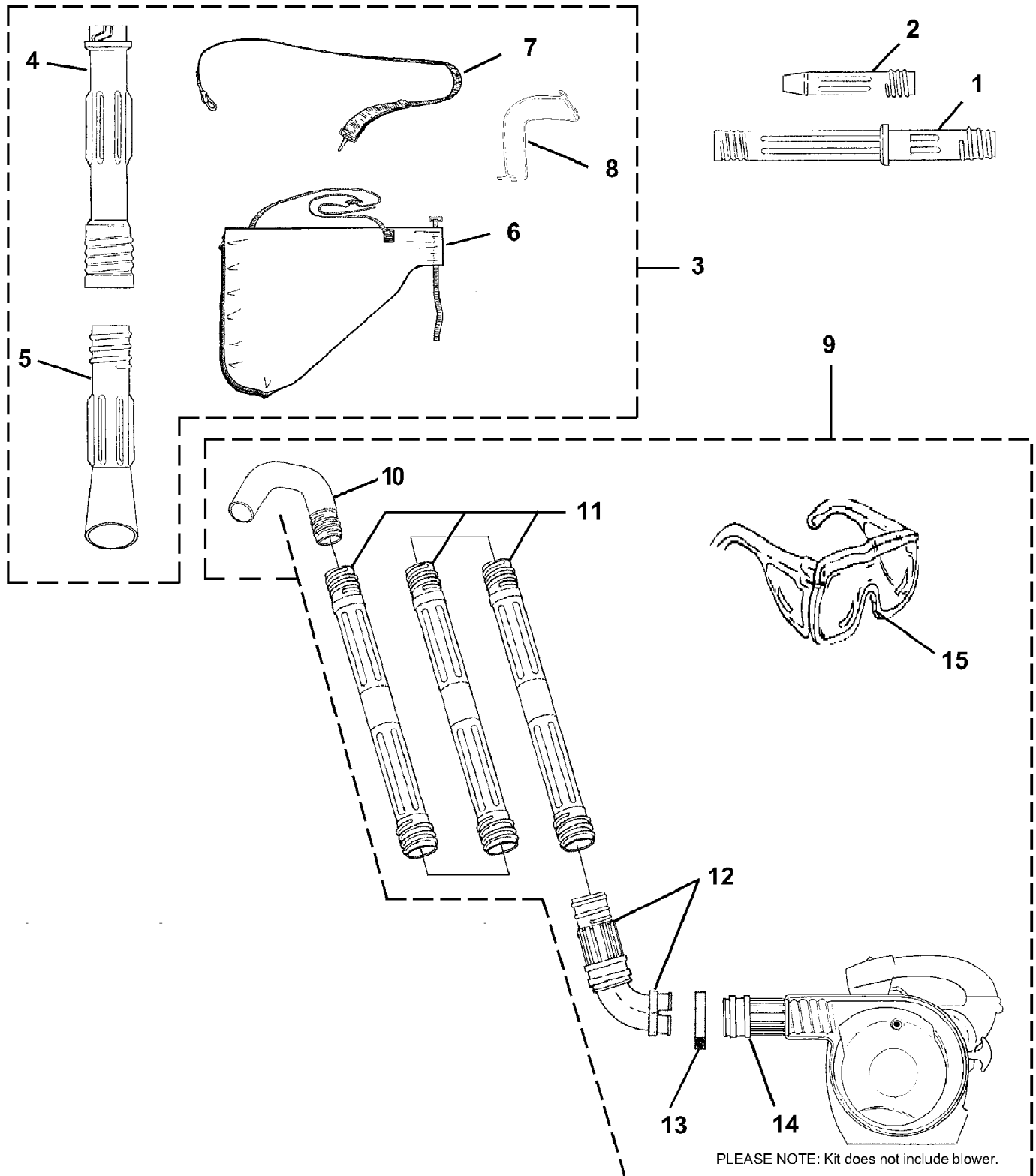


Item No.	Torque Specs		Required Loctite
	In/Lbs	Nm	
6	30-40	3.4-4.5	

d25mhv Blower UT-08067-C  
 Starter

Page 12 of 16

Ref #	Part Number	Qty	S/P/F	Description
E	UP00497A	1	/P	Starter (Svc) Includes Items 1-7
1	98770A	1	/P	Pulley, Starter
2	A98773A	1	S/P	Spring & Container
3	9789902	1	S/P	Rope, Starter 42"
4	PS00179	1	/P	Grip, Starter (Black)
5	98791	2	/P	Bracket-Retaining
6	82541	2	/P	Screw-Plastite (#10-1/2")
7	08501A	1	/P	Start / Warning Decal
8	07614C	1	/P	Scroll

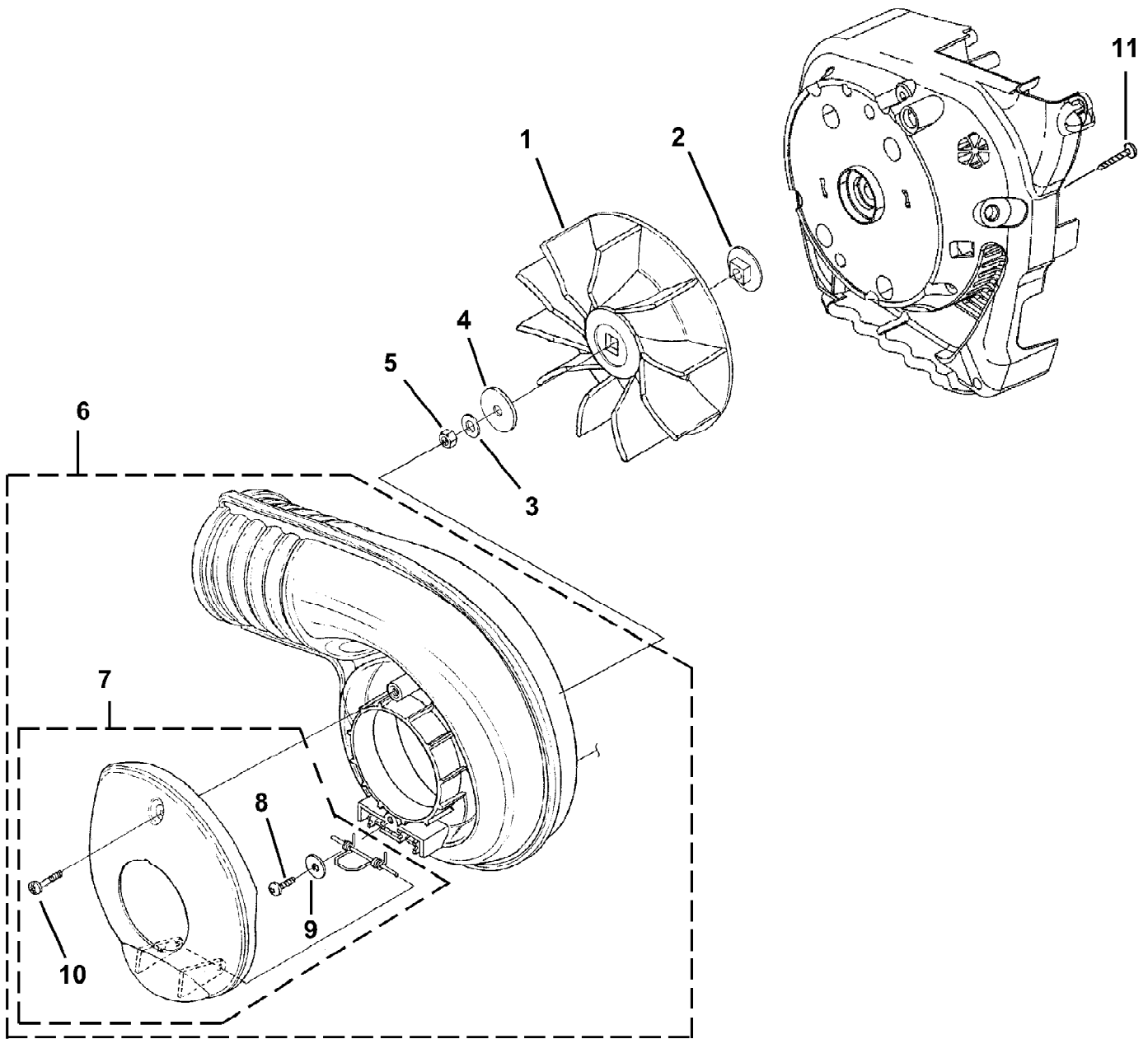


PLEASE NOTE: Kit does not include blower.

Part No.	Special Tools Description
18416 .....	Electronic Tachometer
18774 .....	Fuel Mix Tester
23488 C .....	Thread Locking Compound
24982 03 .....	T25 Torx Bit 6" Long
94194 .....	Compression Tester
JA 31316 4 .....	Spark Tester

Ref #	Part Number	Qty	S/P/F	Description
1	07538	1	/P	Tube, Blower
2	08113	1	/P	Nozzle, Blower
3	A09293A	1	/P	Vacuum Kit Includes items 4-8
4	08201B	1	/P	Vac Tube, Upper
5	08202	1	/P	Vac Tube, Lower
6	PS02375	1	/P	Bag
7	96337C	1	/P	Shoulder Strap (Optional for UT08107 after S/N MB0660000)
8	09043	1		Air Deflector
9	A07069AA	1	/P	Gutter Maintenance Kit Includes Items 10-15
10	07543	1	/P	Full Elbow
11	07498	3	/P	Straight Tube
12	A07627A	1	/P	Upper Elbow & Swivel Adapter
13	004335	1	/P	Large Clamp
14	08711A	1	/P	Adapter, Gutter
15	02557A	1	/P	Safety Glasses - Clear
	18416	1		Electronic Tachometer Special Tools
	18774	1		Fuel Mix Tester Special Tools
	23488C	1		Thread Locking Compound Special Tools
	2498203	1	S	T25 Torx Bit 6" Long Special Tools
	94194	1	/P	Compression Tester Special Tools
	JA313164	1		Spark Tester Special Tools

d25mhv Blower UT-08067-C  
Volute - Fan



Item No.	Torque Specs		Required Loctite
	In/Lbs	Nm	
5	130-150	14.7-17.0	
8	30-40	3.4-4.5	
10	15-20	1.7-2.3	
11	35-45	4.0-5.0	

d25mhv Blower UT-08067-C  
Volute - Fan

Page 16 of 16

Ref #	Part Number	Qty	S/P/F	Description
1	07409	1	/P	Fan
2	04335	1	/P	Adapter, Fan
3	03163	1	/P	Washer, Belleville
4	58833	1	/P	Washer, Flat
5	81124A	1	/P	Nut (3/8-24)
6	UP06899A	1	/P	Volute W/Door Assembly Includes Items 6-10
7	UP06898A	1	/P	Access Door Includes Items 8-10
8	82541	1	/P	Screw, Thread Forming (10-14 X 1/2)
9	95935	1	/P	Washer
10	08204	1	/P	Screw, Machine (10-24 X 3/4)
11	82537	5	/P	Screw, Plastite (10-14 X 7/8)