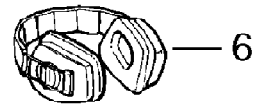
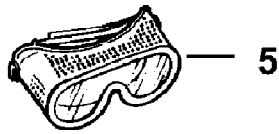
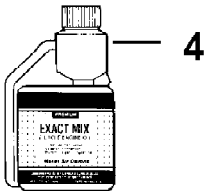
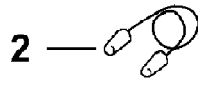
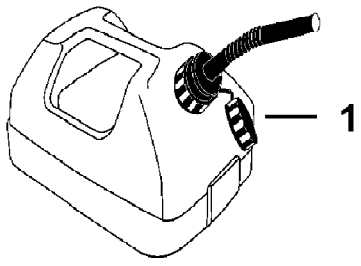


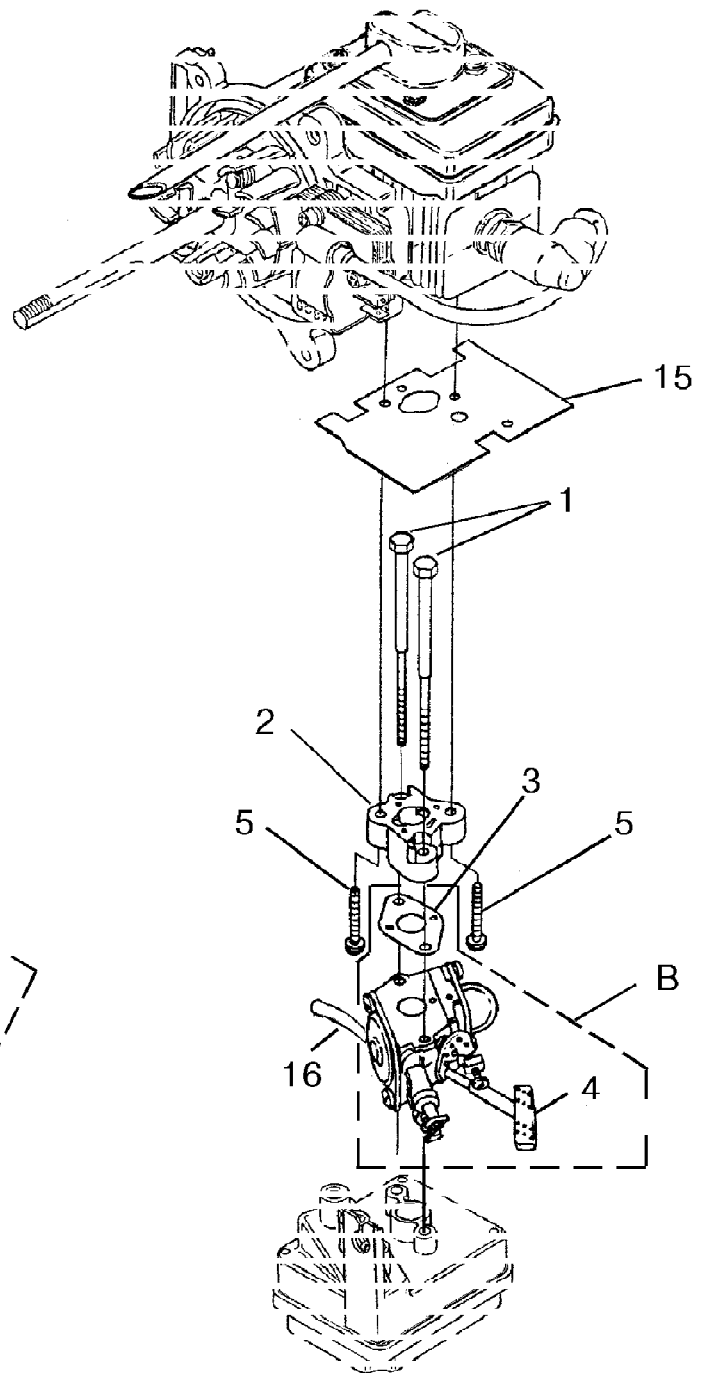
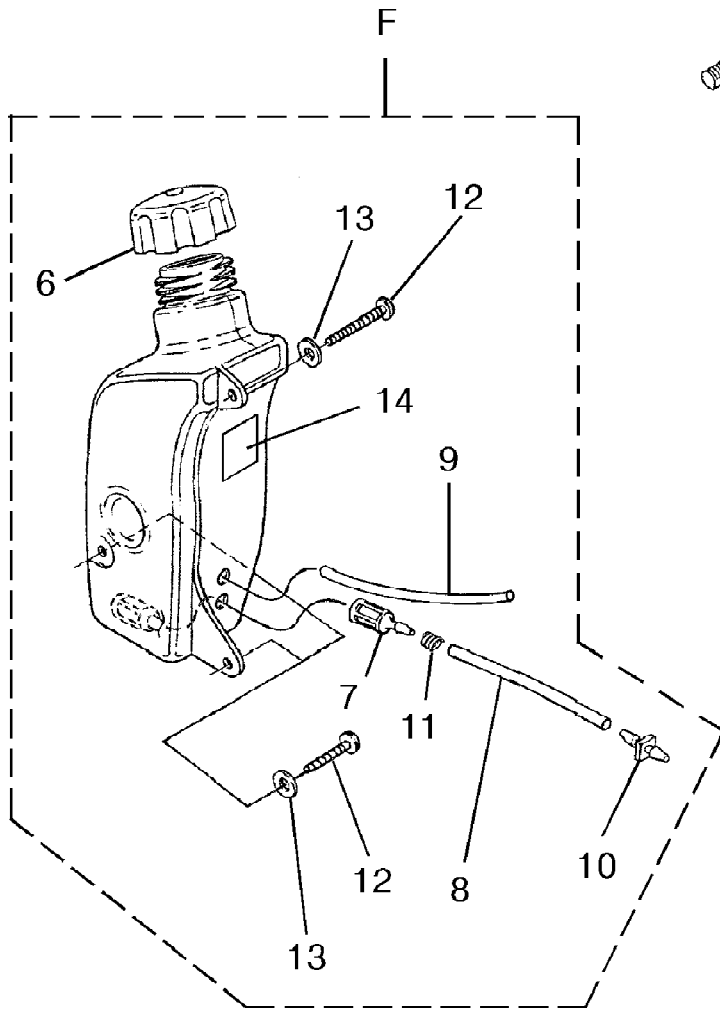
Vac Attack Blower UT-08052-B  
Accessories



Vac Attack Blower UT-08052-B  
Accessories

Page 2 of 18

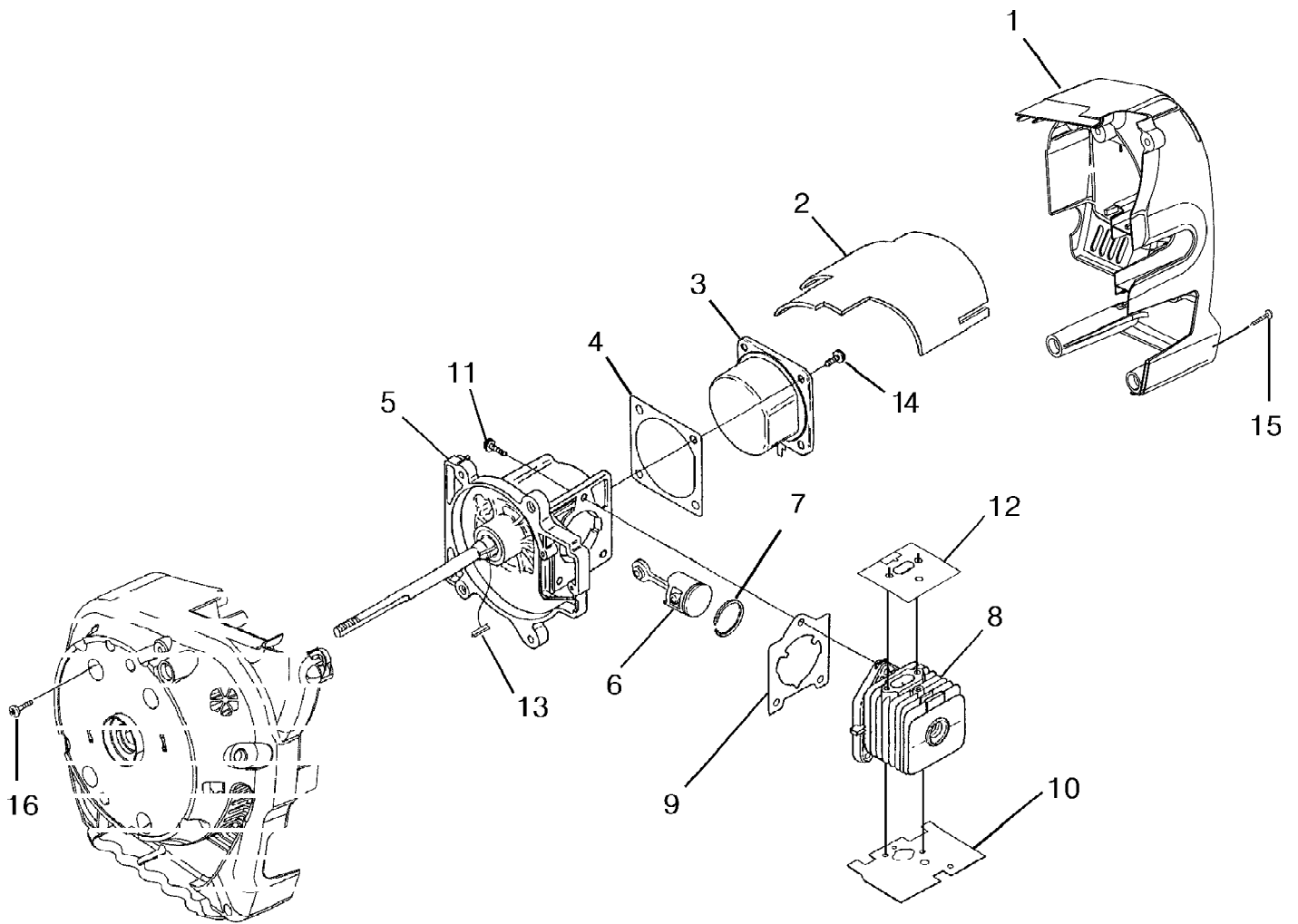
Ref #	Part Number	Qty	S/P/F	Description
1	A02976A	1		GAS CAN 1 1/4 Gallon
2	UP06839	1		EAR PLUGS
3	UP06835	1	S	SAFETY GLASSES-Clear
4	01231D	1	S	EXACT MIX (TM) Oil - 1 pint (50:1)
5	A06778	1		GOGGLES
6	UP07694	1		EAR PROTECTORS



Vac Attack Blower UT-08052-B  
Carburetor - Fuel Tank

Page 4 of 18

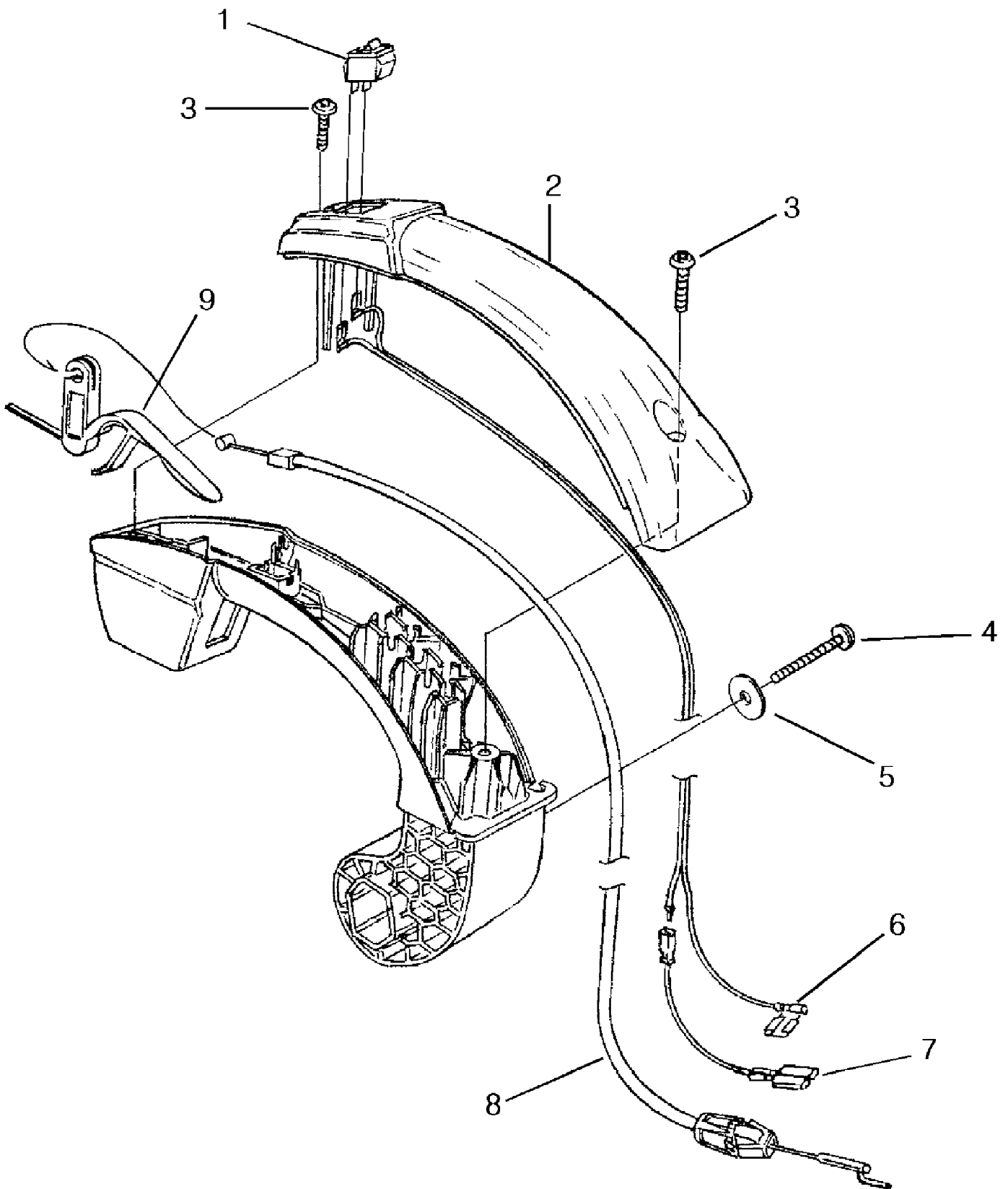
Ref #	Part Number	Qty	S/P/F	Description
1	UP04307	2	S	Screw, Machine (10-24 x 2.8) Torque Specs 30-40 In/Lbs; 3.4-4.5 Nm; See "Muffler - Air Cleaner" Ref. No.10 for Torque Specs
2	UP03863	1	S	Heat Dam
B	UP00654	1	/P	Carburetor Assembly
3	UP03916	1	S	Gasket, Carburetor Also included with Short Block and Cylinder assemblies.
4	UP04278	1	/P	Lever, Choke (Zama)
5	UP04140	2	S	Screw, Sems (10-24 x 1") Also included with Short Block and Cylinder assemblies; Torque Specs 50-60 In/Lbs; 5.6-6.8 Nm
F	UP00495	1	S/P	Fuel Tank Assy.
6	UP04708	1	S/P	Fuel Cap
7	UP03871	1	S/P	Fuel Filter
8	UP04347	1	S	Tubing, Rubber (3")
9	UP04294	1	S	Tubing, Rubber (5")
10	UP04310	1	S	Fitting, Inlet (Small for 2.5mm ID fuel line)
	UP03831	1	S	Fitting, Inlet (Large for 3mm ID fuel line)
11	UP03913	1	S	Clamp, Wire
12	UP03900	3	S/P	Screw, Thread Forming (10-14 x 3/4) Torque Specs 30-40 In/Lbs; 3.0-4.0 Nm
13	UP03867	3	S/P	Washer
14	UP03907	1	S	Tape, Aluminum
15	UP04308	1	S/P	Gasket, Heat Dam Also included with Short Block and Cylinder assemblies.
16	UP04294	1	S	Tubing, Rubber (5")



Vac Attack Blower UT-08052-B  
Engine Internal

Page 6 of 18

Ref #	Part Number	Qty	S/P/F	Description
1	UP04314	1	S/P	Shroud
2	UP04322	1	S/P	Heat Shield, Muffler
3	UP06543	1	S/P	Crankcase Cover
4	UP04335	1	S	Gasket, C/Case Also included with Short Block and Cylinder assemblies
5	UP00759	1	/P	Short Block (Svc)(30cc)
6	UP03366	1	S	Piston & Rod (30cc)
7	UP03837	2	S	Piston Ring (30cc) Ring for single ring 30CC piston 04933
8	UP07146	2	S/P	Cylinder Kit (30cc)
9	UP03857	1	S/P	Gasket, Cylinder
10	UP04308	1	S/P	Gasket, Heat Dam
11	UP04345	3	S/P	Screw, Sems (12-24 x 3/4) Torque Specs 55-65 In/Lbs; 6.2-7.3 Nm; Red 262 Loctite Required
12	UP04350	1	S	Gasket, Muffler
13	UP03874	1	S	Key, Woodruff
14	UP04295	4	S/P	Screw, Sems (10-24 x .560) Torque Specs 35-45 In/Lbs; 4.0-5.1 Nm; Red 262 Loctite Required
5	UP00756	1	/P	Short Block (Svc)(25cc)
6	UP00768	1	S/P	Piston & Rod (25cc)
7	PS01359	1	S/P	Piston Ring (25cc)
8	UP07145	1	S/P	Cylinder Kit (25cc)
9	UP03857	1	S/P	Gasket, Cylinder
10	UP04308	1	S/P	Gasket, Heat Dam
11	UP04345	3	S/P	Screw, Sems (12-24 x 3/4) Torque Specs 55-65 In/Lbs; 6.2-7.3 Nm; Red 262 Loctite Required
12	UP04350	1	S	Gasket, Muffler
13	UP03874	1	S	Key, Woodruff
14	UP04295	4	S/P	Screw, Sems (10-24 x .560) Torque Specs 35-45 In/Lbs; 4.0-5.1 Nm; Red 262 Loctite Required
15	UP03895	5	S	Screw, Thread Forming (10-14 x 7/8) Torque Specs 30-40 In/Lbs; 3.4-4.6 Nm
16	UP03406	4	S	Taptite, Truss (10-24 x 3/4) Torque Specs 55-60 In/Lbs; 6.2-6.8 Nm

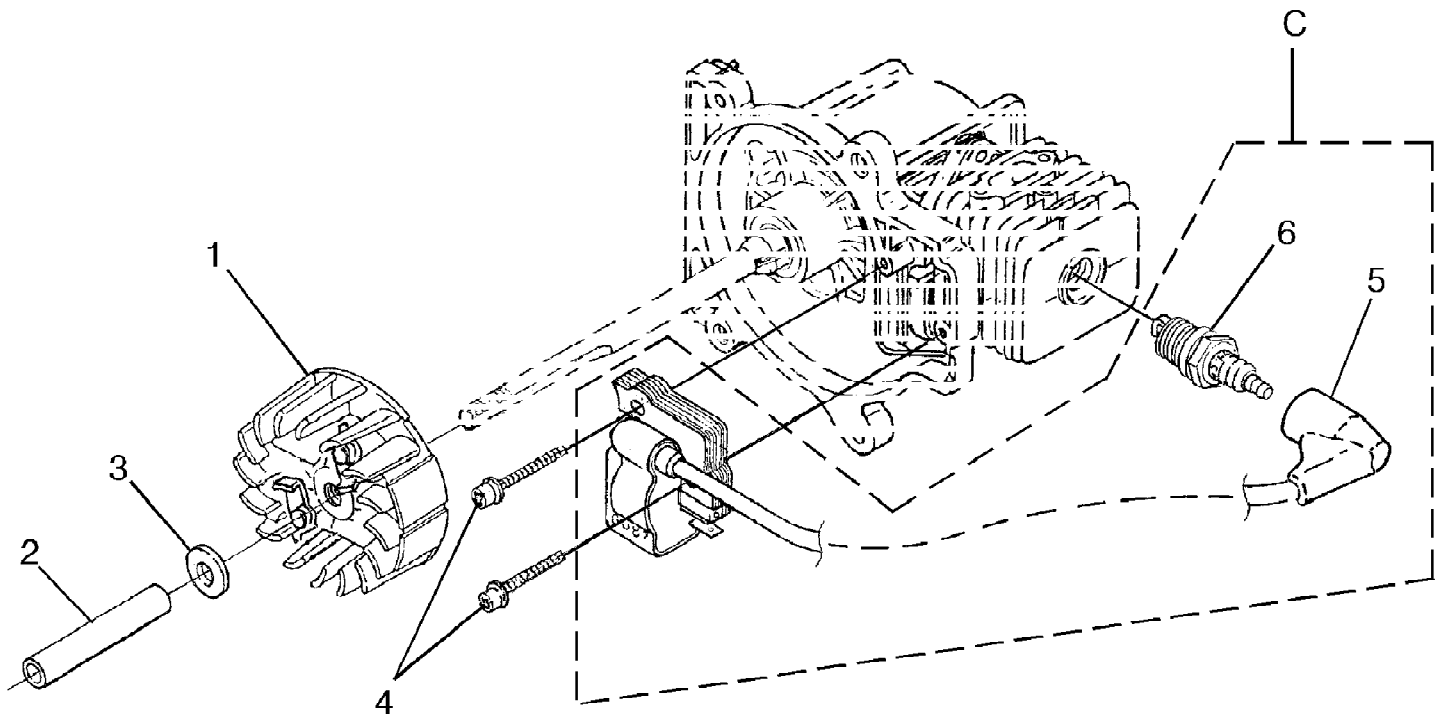


Vac Attack Blower UT-08052-B  
Handle

Page 8 of 18

Ref #	Part Number	Qty	S/P/F	Description
	UP06900	1	S	Handle Assembly
1	UP04320	1	S	Switch, Rocker(Stop)
2	UP04325	1	S	Handle Cover
3	UP03898	2	S	Screw, Thread Forming (8-16 X 1/2) Torque Specs 10-25 In/Lbs; 1.1-2.8 Nm
4	UP03895	1	S	Screw, Thread Forming (10-14 X 7/8) Torque Specs 30-45 In/Lbs; 3.4-5.1 Nm
5	UP06901	1	S	Washer, Flat
6	UP04333	1	S	Kill Switch Lead
7	UP04327	1	S	Cable, Throttle
8	UP04326	1	S/P	Trigger
9		1		UNKNOWN

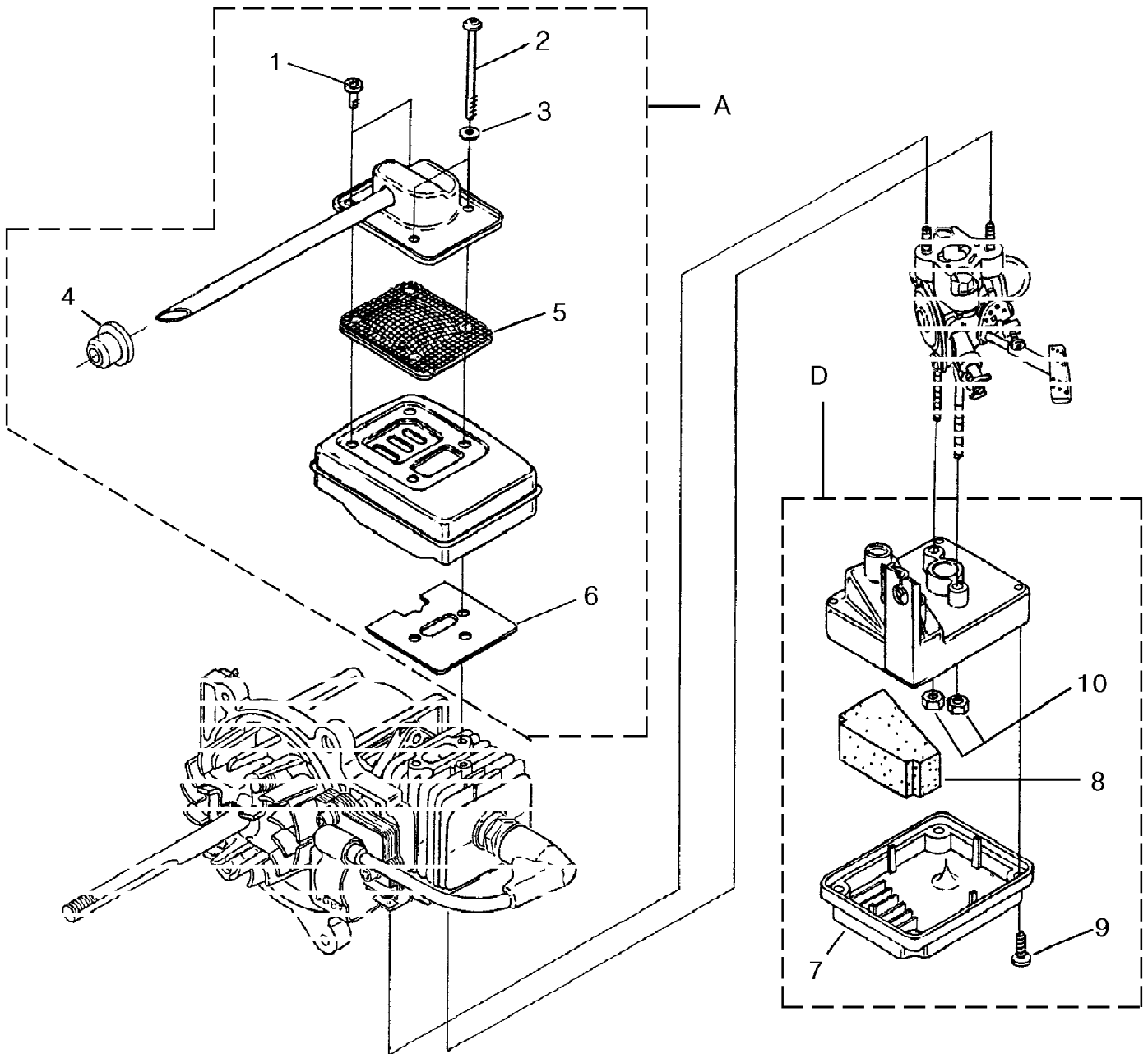




Vac Attack Blower UT-08052-B  
Ignition

Page 10 of 18

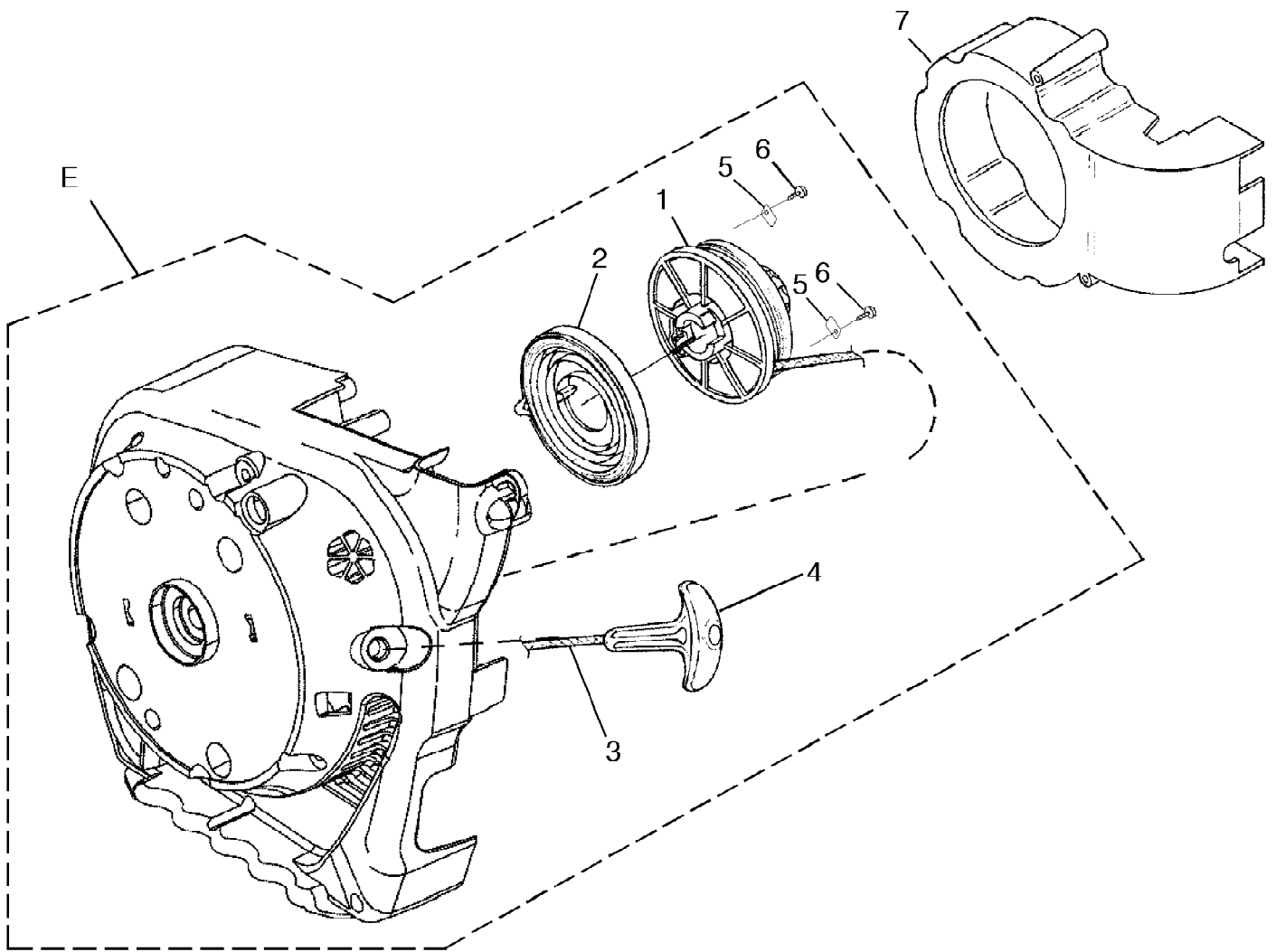
Ref #	Part Number	Qty	S/P/F	Description
1	UP03856	1	S/P	Rotor & Starter Pawls
2	UP03855	1	S/P	Spacer
3	UP03906	1	S/P	Washer, Flat
4	UP03896	2	S/P	Screw-Thread Forming (8-32 X 1) Torque Specs 30-40 In/Lbs; 3.4-4.5 Nm; Blue 242 Loctite Required
C	UP03858	1	/P	Ignition Kit
5	UP03868	1	S/P	Terminal & Cover
6	UP03883	1	/P	Resistor Spark Plug (RDJ-7Y) Torque Specs 120-180 In/Lbs; 13.6-20.3 Nm



Vac Attack Blower UT-08052-B  
Muffler - Air Cleaner

Page 12 of 18

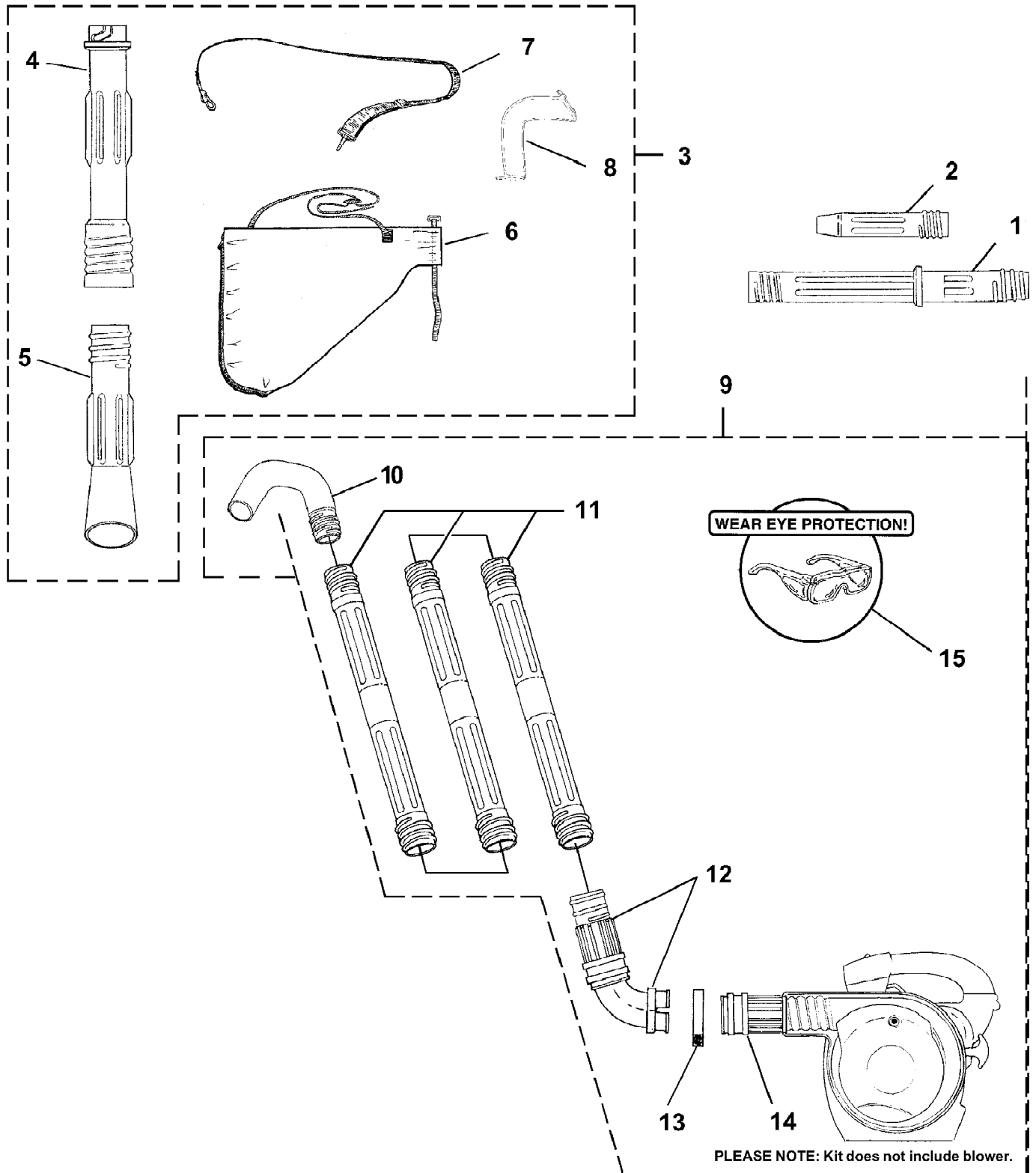
Ref #	Part Number	Qty	S/P/F	Description
A	UP06823	1	S/P	Muffler Assembly, Crimped
1	UP04248	2	S	Screw, Taptite (8-32 x 3/8) Torque Specs 20-30 In/Lbs; 2.3-3.4 Nm
2	UP04249	2	S/P	Screw, Torx Truss Hd. (10-24 X 2.188") Torque Specs 50-60 In/Lbs; 5.6-6.8 Nm
3	UP03866	2	S	Washer, Conical #10
4	UP04321	1	S	Muffler Grommet
5	UP04316	1	S	Screen Assy., Spark
6	UP03817	1	S/P	Gasket, Muffler Also included with Short Block and Cylinder assemblies.
D	UP06824	1	/P	Air Filter Assembly
7	UP04318	1	S	Cover, Air Box
8	UP04323	1	S	Filter Element #1
9	UP03893	4	S	Screw, Thread Forming (8-16 X .50) Torque Specs 30-40 In/Lbs; 3.4-4.5 Nm
10	UP03885	2	S	Nut, Lock Hex (10-24) Torque Specs 30-40 In/Lbs; 3.4-4.5 Nm



Vac Attack Blower UT-08052-B  
 Starter

Page 14 of 18

Ref #	Part Number	Qty	S/P/F	Description
E	UP00497	1	S/P	Starter (Svc)
1	UP04349	1	S	Pulley, Starter
2	UP03917	1	S	Spring & Container
3	UP03912	1	S	Rope, Starter 42"
4	UP04276	1	S/P	Grip, Starter (Black)
5	UP03919	2	S	Bracket-Retaining
6	UP03897	2	S	Screw-Plastite (#10-1/2") Torque Specs 30-40 In/Lbs; 3.4-4.5 Nm
7	UP04319	1	S/P	Scroll

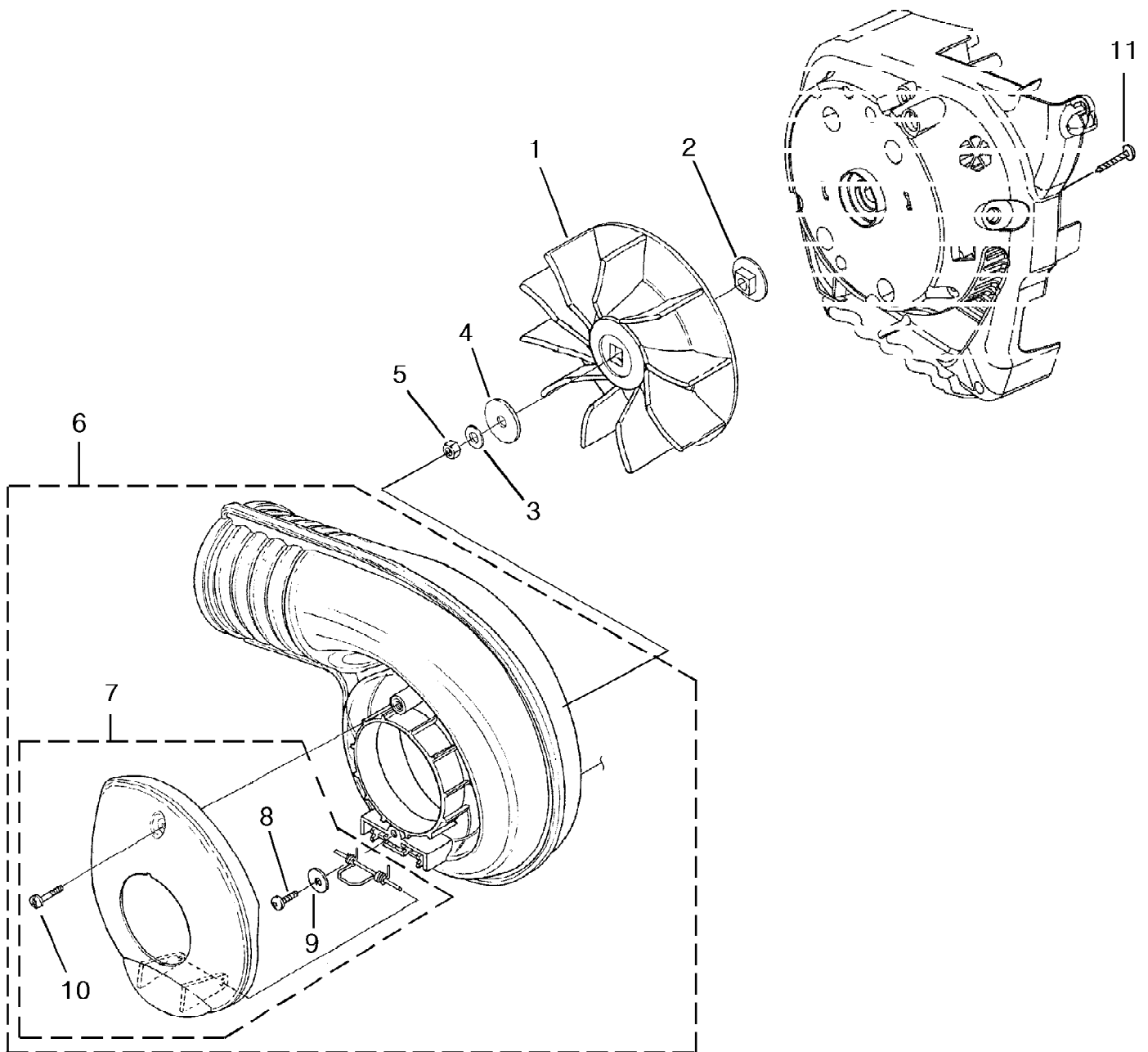


Ref #	Part Number	Qty	S/P/F	Description
1	UP04317	1	S	Tube, Blower
2	UP04324	1	S	Nozzle, Blower
3	A09293	1	S/P	Vacuum Kit
4	UP04328	1	S/P	Vac Tube, Upper
5	UP04329	1	S	Vac Tube, Lower
6	UP04548	1	S/P	Bag
7	UP06723	1	S/P	Shoulder Strap (Optional for UT08107 after S/N MB0660000)
8	UP06902	1		Air Deflector
9	A02514D	1	S	Gutter Maintenance Kit
10	UP06830	1	S	Full Elbow
11	UP05618	3	S	Straight Tube
12	UP06836	1	S	Upper Elbow & Swivel Adapter
13	UP03821	1	S/P	Large Clamp
14	UP06868	1	S/P	Adapter
15	UP06835	1	S	Safety Glasses - Clear
	18416	1		Electronic Tachometer Special Tools
	18774	1		Fuel Mix Tester Special Tools
	23488C	1		Thread Locking Compound Special Tools
	2498203	1	S	T25 Torx Bit 6" Long Special Tools
	94194	1	/P	Compression Tester Special Tools
	JA313164	1		Spark Tester Special Tools



Vac Attack Blower UT-08052-B  
Volute - Fan

Page 17 of 18



Vac Attack Blower UT-08052-B  
Volute - Fan

Page 18 of 18

Ref #	Part Number	Qty	S/P/F	Description
1	UP04311	1	S	Fan
2	UP04303	1	S	Adapter, Fan
3	UP03835	1	S	Washer, Belleville
4	UP03873	1	S	Washer, Flat
5	UP03884	1	S/P	Nut (3/8-24) Torque Specs 130-150 In/Lbs; 14.7-17.0 Nm
6	UP06899	1	S/P	Volute W/Door Assembly
7	UP06898	1	S	Volute Door
8	UP03897	1	S	Screw, Thread Forming (10-14 X 1/2) Torque Specs 30-40 In/Lbs; 3.4-4.5 Nm
9	UP03909	1	S	Washer
10	UP04547	1	S	Screw, Machine (10-24 X 3/4) Torque Specs 15-20 In/Lbs; 1.7-2.3 Nm
11	UP03895	5	S	Screw, Plastite (10-14 X 7/8) Torque Specs 35-45 In/Lbs; 4.0-5.0 Nm