

PART NO. 17785
Printed in U.S.A.
Price 35c

HOMELITETM
JACOBSEN

PARTS LIST



**HOMELITE
BLOWER**
Model HB-280
(UT-08005)

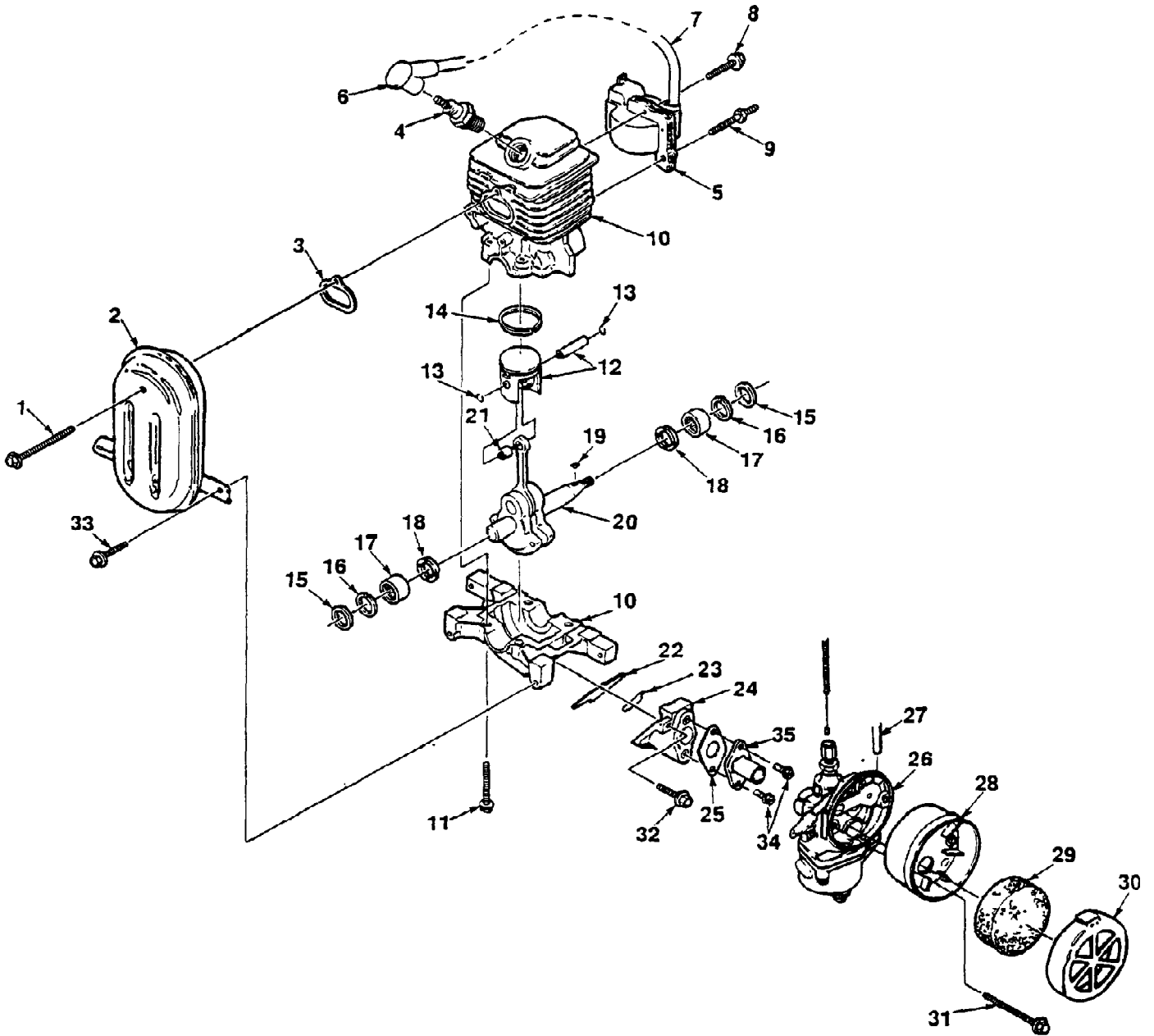


**HOMELITE
BLOWER**
Model HB-480
(UT-08004)



**HOMELITE
MISTER/
BLOWER**
Model HB-680
(UT-08003)

FIGURE 1

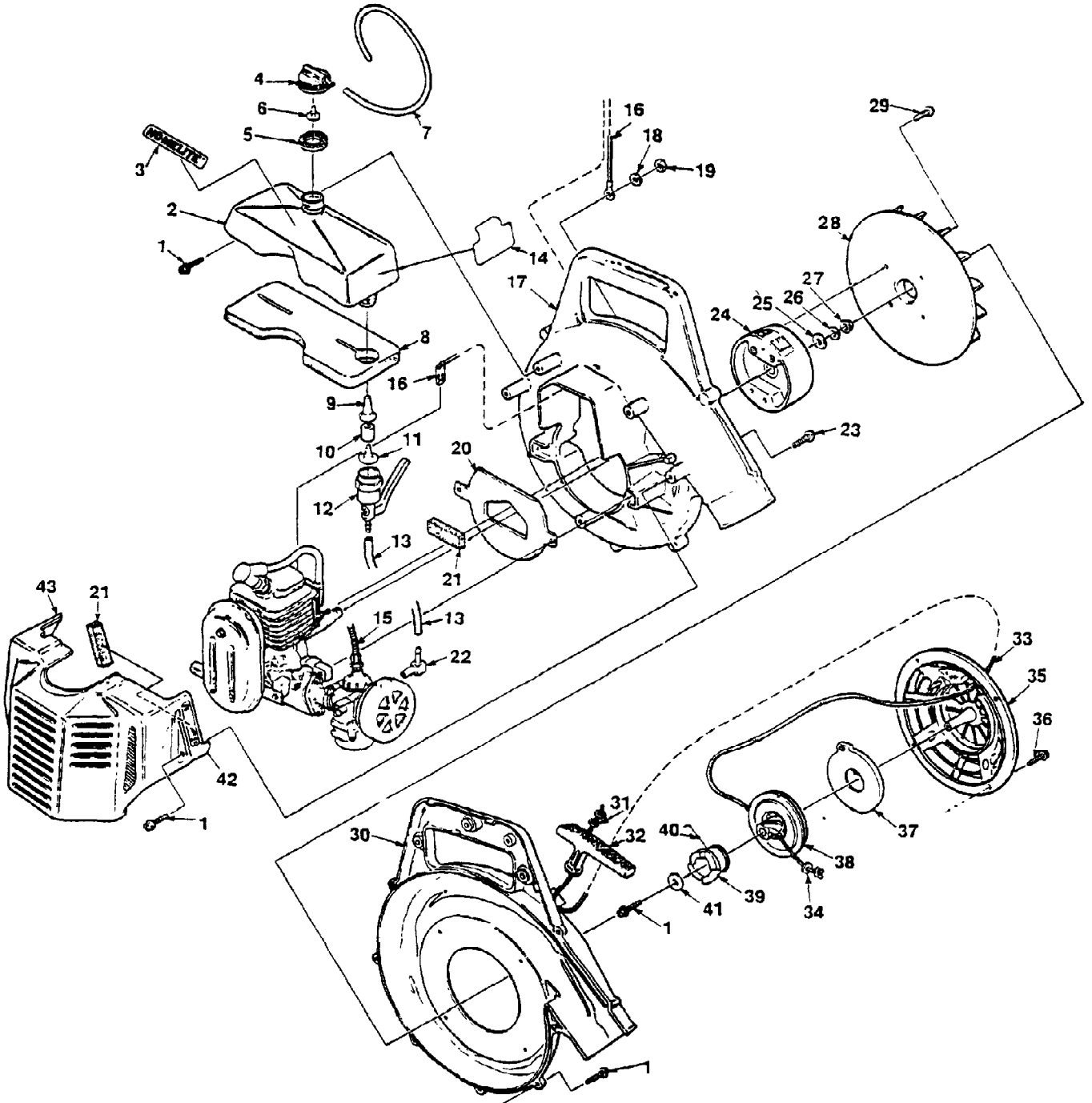


ALWAYS FURNISH MODEL AND SERIAL NUMBER WHEN ORDERING PARTS.

NO.	DESCRIPTION	PART NO.	HB-680			QTY.	NO.	DESCRIPTION	PART NO.	HB-680			QTY.
			HB-480	HB-280						HB-480	HB-280		
1	SCREW- Hex sems (10-24 x 2)	88057	x	x	x	1	16	SPACER- Seal	68514	x	x	x	2
2	MUFFLER	A-95757-1B	x	x	x	1	17	BEARING- Needle	12530	x	x	x	2
3	GASKET- Muffler	93801	x	x	x	1	18	WASHER	95492	x	x	x	2
4	SPARK PLUG (DJ-7Y)	95169	x	x	x	1	19	KEY- Magneto	69250	x	x	x	1
5	MODULE- Ignition	94711	x	x	x	1	20	CRANKSHAFT & ROD	A-97355			x	1
	Includes:							CRANKSHAFT & ROD	A-97610	x	x		1
6	TERMINAL	A-33055	x	x	x	1		Includes:					
7	LEAD- High tension	69326	x	x	x	1	21	BEARING	95439	x	x		1
8	SCREW- Hex washer (8-32 x 3/4)	82248	x	x	x	1	22	GASKET- Housing	97090	x	x	x	1
9	STAND-OFF	95735	x	x	x	1	23	REED	95982	x	x	x	1
10	CRANKCASE & CYLINDER	A-97789	x			1	24	SPACER- Carburetor	94454-A	x	x	x	1
	CRANKCASE & CYLINDER	A-97788		x		1	25	GASKET- Manifold	97138	x	x	x	1
	CRANKCASE & CYLINDER						26	CARBURETOR	A-97154-A	x	x	x	1
	(Includes Ref. #11)	A-97529-2A			x	1	27	TUBING- Rubber	94772-14	x	x	x	1
11	SCREW- Sems hex hd. (8-32 x 1)	88044	x	x	x	4	28	HOUSING- Air filter	95016	x	x	x	1
12	PISTON & PIN	A-97722	x	x		1	29	ELEMENT- Air filter	95748	x	x	x	1
	Includes:						30	COVER- Air filter	95017	x	x	x	1
13	RING- Piston pin retaining	65261	x	x		2	31	SCREW- Mach 8-32 x .375	88041	x	x	x	2
14	PISTON RING	70205	x	x		1	32	SCREW- 10-24 x .812	93934	x	x	x	2
	PISTON & PIN	A-97721			x	1	33	SCREW- Hex sems (#10-24 x 3/4)	88051	x	x	x	2
	Includes:						34	SCREW	82447	x	x	x	2
	RING- Piston pin retaining						35	ADAPTOR- Carburetor	95044-1	x	x	x	1
	(See index #13)	65261			x	2							
	PISTON RING												
	(See index #14)	96935			x	1							
15	SEAL- Shaft	94638	x	x	x	2							

ALWAYS FURNISH MODEL AND SERIAL NUMBER WHEN ORDERING PARTS.

FIGURE 2



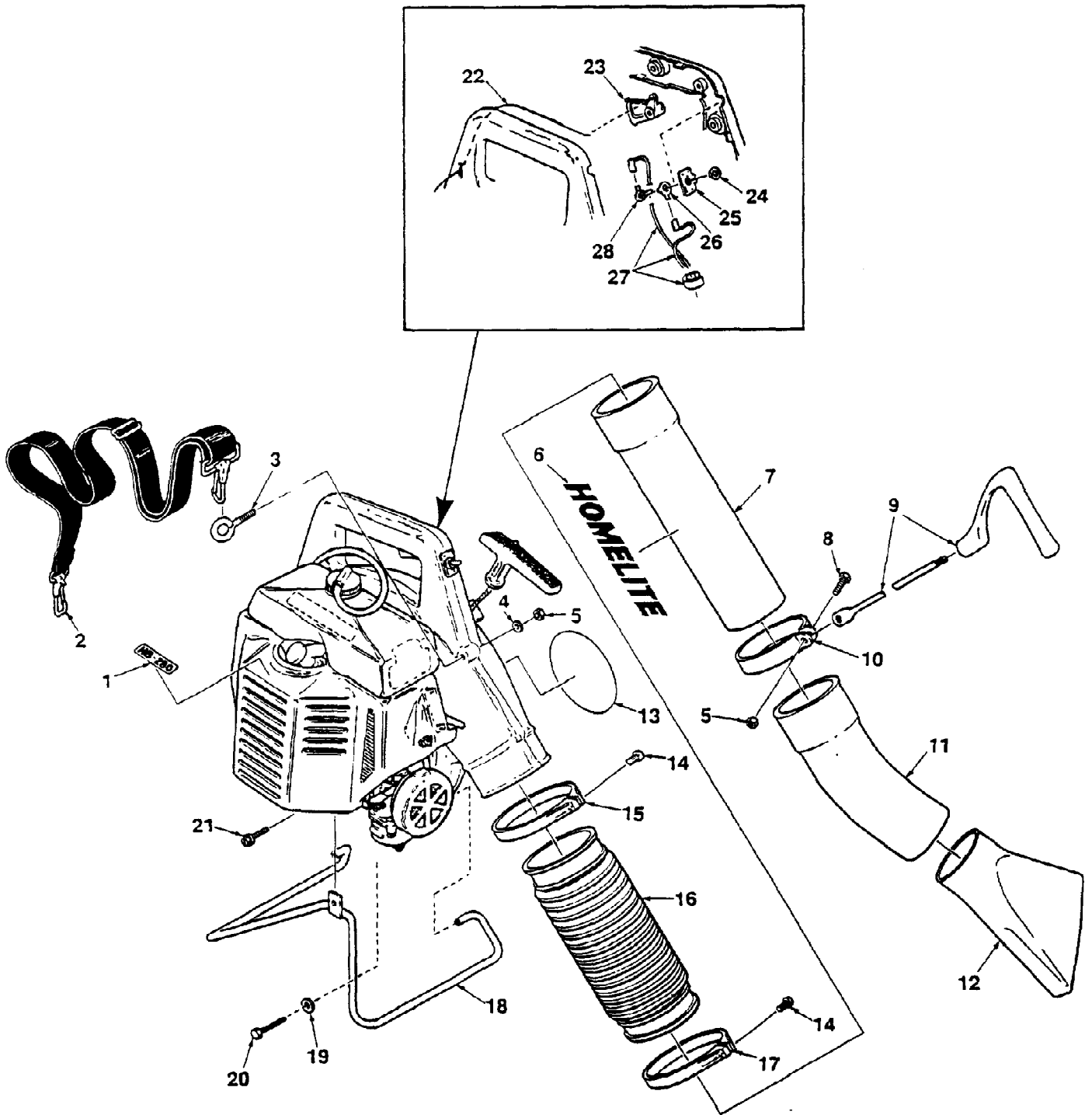
ALWAYS FURNISH MODEL AND SERIAL NUMBER WHEN ORDERING PARTS.

NO.	DESCRIPTION	PART NO.	HB-680	HB-480	HB-280	QTY.	NO.	DESCRIPTION	PART NO.	HB-680	HB-480	HB-280	QTY.
1	SCREW- Thread forming (plastic #10 x .750)	70771	x	x		18	22	FITTING- Tube	70204	x	x	x	1
	SCREW- Thread forming (plastic #10 x 750)	70771			x	11	23	SCREW- Hex sems (#10-24 x 3/4)	88051	x	x	x	2
2	TANK- Fuel	95739-3	x	x	x	1	24	ROTOR- Magneto	95733	x	x	x	1
3	DECAL- Homelite	96602	x	x	x	1	25	WASHER- Flat 5/16	84065	x	x	x	1
4	CAP- Fuel	A-97625	x	x	x	1	26	WASHER- Lock (5/16)	83002	x	x	x	1
	Includes:						27	NUT- Hex (5/16-24)	81117	x	x	x	1
5	GASKET- Fuel cap	94494	x	x	x	1	28	FAN	95720-1A	x	x	x	1
6	VALVE- Check	94531-1	x	x	x	1	29	SCREW- Pan mach. hd. (10-32 x 7/16)	82396	x	x	x	4
7	TUBING- Rubber	70310-72	x	x	x	1	30	HOUSING- Volute	A-95737	x	x		1
8	PAD- Foam	97627	x	x	x	1		HOUSING- Volute	A-96336			x	1
9	FILTER- Fuel	97675	x	x	x	1	31	WASHER- Flat (#8)	84025		x	x	1
10	SPACER- Rubber	97676	x	x	x	1		WASHER- Flat (#8)	84025	x			3
11	FITTING- Fuel	95009	x	x	x	1	32	GRIP- Starter	70211	x	x	x	1
12	VALVE- Fuel line	A-97118	x	x	x	1	33	ROPE- Starter	A-93876	x	x	x	1
13	TUBING- Rubber	94772-14	x	x	x	1		Includes:					
14	DECAL- Instruction	96150			x	1	34	WASHER- Nylon	93852	x	x	x	1
15	CABLE- Throttle	95015-A			x	1	35	HOUSING- Starter	95719	x	x	x	1
	CABLE- Throttle	95014-A	x	x		1	36	SCREW- Thread forming (#10 x 5/8)	82409	x	x	x	4
16	LEAD- Electrical (w/terminal)	A-95784	x	x		1	37	SPRING- Rewind	A-94918-A	x	x	x	1
	LEAD- Electrical (w/terminal)	A-96388			x	1	38	PULLEY- Starter	94383-A	x	x	x	1
17	HOUSING- Volute	95717-A	x	x		1	39	RATCHET- Starter	95803	x	x	x	1
	HOUSING- Volute	95717-1A			x	1	40	LEVER- Ratchet	94505-A	x	x	x	1
18	WASHER- Flat	84003	x	x	x	1	41	WASHER- Flat	95208	x	x	x	1
19	NUT- Hex centerlock (10-24)	81208	x	x	x	1	42	DECAL- Fuel (on & off)	97399	x	x	x	1
20	BACKPLATE	95990-A	x	x	x	1	43	SHROUD	95746-B	x	x	x	1
21	FILTER- Fuel tank & valve	69443	x	x	x	2							

ALWAYS FURNISH MODEL AND SERIAL NUMBER WHEN ORDERING PARTS.

HB-280 BLOWER

FIGURE 3



ALWAYS FURNISH MODEL AND SERIAL NUMBER WHEN ORDERING PARTS.

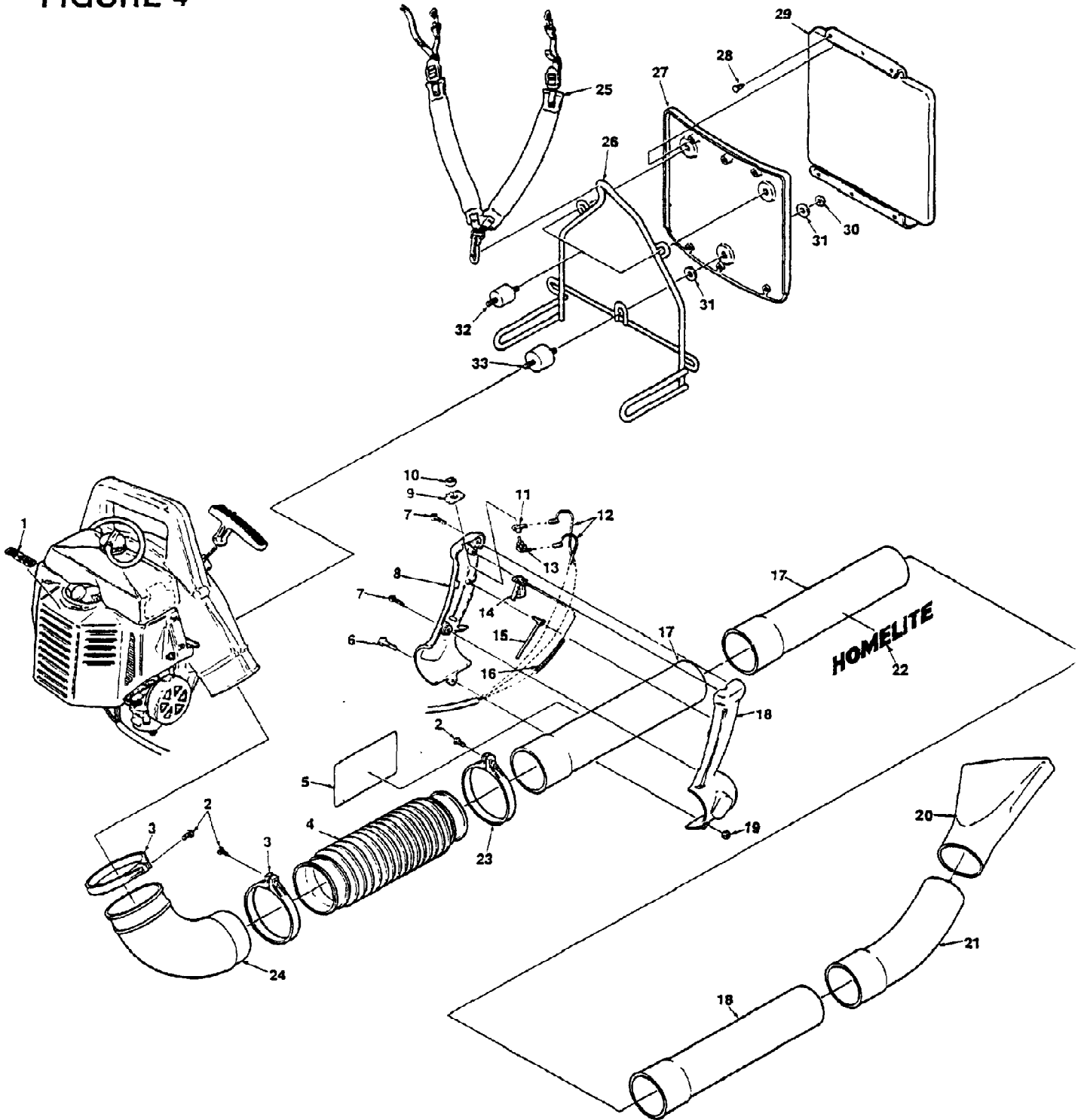
HB-280 BLOWER

NO.	DESCRIPTION	PART NO.	QTY.	NO.	DESCRIPTION	PART NO.	QTY.
1	DECAL- (HB-280 small)	96740	1	16	BELLOW- Plastic	95790	1
2	STRAP- Shoulder	96337-A	1	17	CLAMP	95785	1
3	BOLT- Closed eye	96389	2	18	STAND- Wire	96183	1
4	WASHER- Flat (#10)	84008	2	19	WASHER- Flat (#8)	84025	3
5	NUT- Lock hex (10-24)	81256	2	20	SCREW- Sems hex hd. (8-32 x 1.25)	88045	2
6	DECAL- Homelite	97576	1	21	SCREW- Thread forming (plastic #10 x 750)	70771	11
7	TUBING- Plastic (14")	95738	1	22	CABLE- Throttle	95015-A	1
8	SCREW- Pan hd. (10-24 x 1/2)	80672	1	23	TRIGGER	94452	1
9	HANDLE- Guide	A-96331	1	24	NUT- Toggle switch	72084-A1	1
10	CLAMP- Guide rod	96363	1	25	PLATE- Indicating	95231	1
11	TUBING- Plastic (10" curved)	95731	1	26	WASHER- Grounding	95611-A	1
12	NOZZLE- Sweeper	96329	1	27	LEAD- Electrical	A-96388	1
13	DECAL (HB-280)	96741	1	28	SWITCH- Toggle	93653	1
14	SCREW- Oval hd. (10-24 x 1 1/4)	80450	4				
15	CLAMP	95786	1				

ALWAYS FURNISH MODEL AND SERIAL NUMBER WHEN ORDERING PARTS.

HB-480 BACK-PACK BLOWER

FIGURE 4



ALWAYS FURNISH MODEL AND SERIAL NUMBER WHEN ORDERING PARTS.

HB-480 BACK-PACK BLOWER

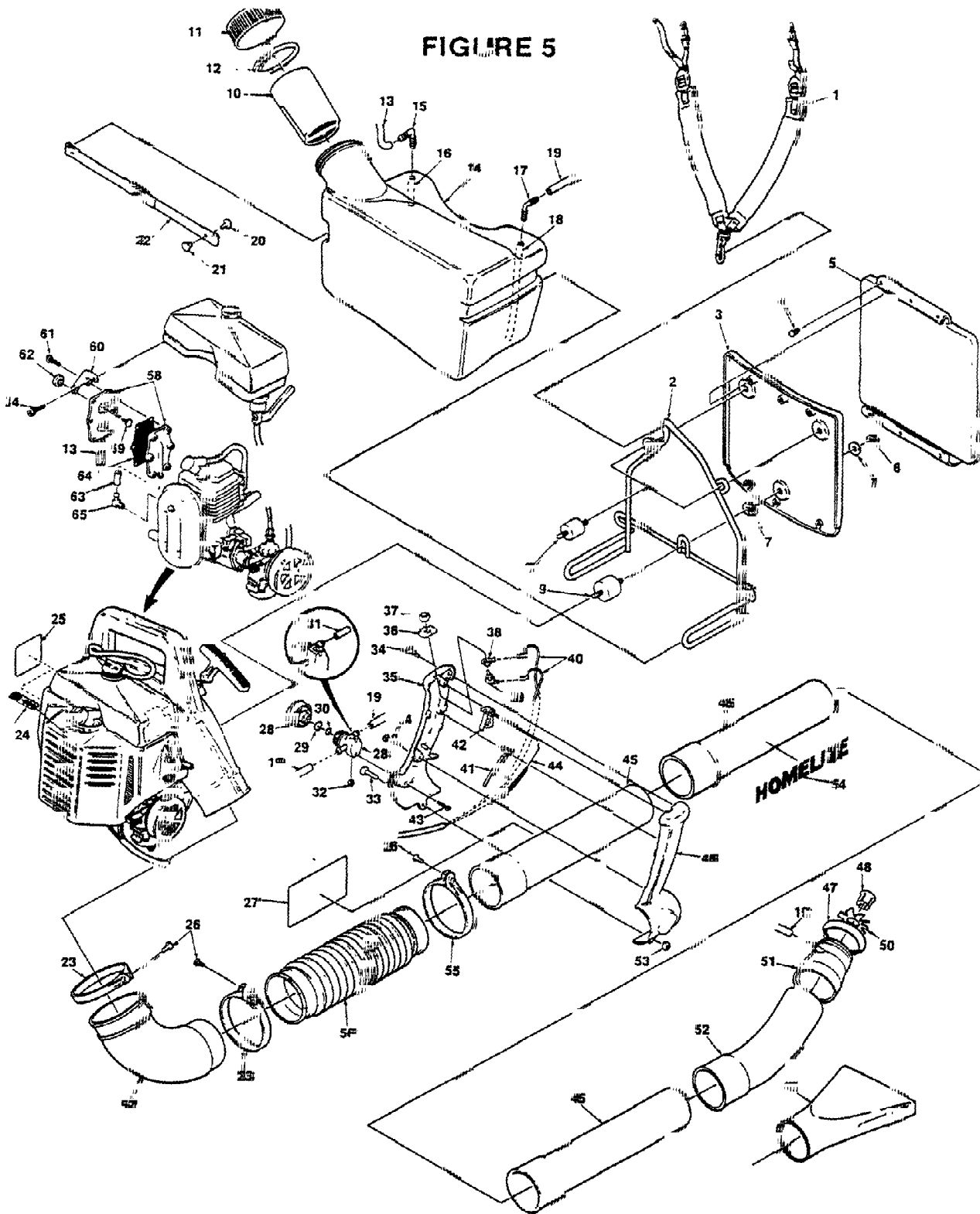
NO.	DESCRIPTION	PART NO.	QTY.	NO.	DESCRIPTION	PART NO.	QTY.
1	DECAL- (HB-480)	96739	1	17	TUBING- Plastic (14")	95738	2
2	SCREW- Oval hd. (10-24 x 1 1/4)	80450	3	18	HANDLE- Control (right)	95723	1
3	CLAMP	95786	2	19	NUT— Hex (10-24 x 3/8)	81092	1
4	BELLOW- Plastic	95790	1	20	SWEEPER- Nozzle	96329	1
5	DECAL- Instruction (warning)	96146	1	21	TUBING- Plastic (10')	95731	1
6	BOLT- Rib neck rd. hd. (10-23 x 7/8)	82375	1	22	DECAL- Homelite	97576	1
7	SCREW- Thread forming (plastic #10 x .750)	70771	2	23	CLAMP	95785	1
8	HANDLE- Control left	95724-1	1	24	ELBOW- Plastic	95791	1
9	PLATE- Indicating	95231	1	25	HARNES- Shoulder	96158	1
10	NUT- Toggle switch	72084-A1	1	26	FRAME- Wire	96160	1
11	WASHER- Grounding	95782	1	27	BACKREST- Plastic	96157	1
12	LEAD- Electrical (w/terminal)	A-95784	1	28	CLIP- Push	96383	6
13	SWITCH- Toggle	93653	1	29	PAD- Backrest	96159	1
14	TRIGGER	94452	1	30	NUT— Hex (5/16-18)	81243	3
15	LATCH- Trigger	95906	1	31	WASHER— Flat	96381	6
16	CABLE- Throttle	95014-A	1	32	MOUNT- Vibration isolation	96382	2
				33	ISOLATOR- Vibration	46948-A	1

ALWAYS FURNISH MODEL AND SERIAL NUMBER WHEN ORDERING PARTS.

HB-680 BACK-PACK MISTER/BLOWER

NO.	DESCRIPTION	PART NO.	QTY.	NO.	DESCRIPTION	PART NO.	QTY.
1	HARNES- Shoulder	96158	1	34	SCREW- Thread forming		
2	FRAME- Wire	96180	1		(plastic #10 x 750)	70771	17
3	BACKREST- Plastic	96157	1	35	HANDLE- Control left	95724-1	1
4	CLIP- Push	96383	6	36	PLATE- Indicating	95231	1
5	PAD- Backrest	96159	1	37	NUT- Toggle switch	72084-A1	1
6	NUT- Hex (5/16-18)	81243	3	38	WASHER- Grounding	95782	1
7	WASHER- Flat	96381	6	39	SWITCH- Toggle	96653	1
8	MOUNT- Vibration isolation	96382	1	40	LEAD- Electrical (w/terminal)	A-95784	1
9	ISOLATOR- Vibration	46948-A	1	41	LATCH- Trigger	95906	1
10	STRAINER- Fluid tank	95771	1	42	TRIGGER	94452	1
11	CAP- Fluid tank	A-95775	1	43	SCREW- Rd. mach (6-32 x 7/16)	80831	2
	Includes:			44	CABLE- Throttle	95014-A	1
12	GASKET- Cap	96920	1	45	TUBING- Plastic (14")	95738	2
13	TUBING- Plastic (8")	96922	1	46	HANDLE- Control-right	95723	1
14	TANK- Fluid	A-97591	1	47	DIFFUSER- Nozzle	95804	1
	Includes:			48	HEAD- Spray	95805-A	1
15	FITTING- Elbow	96392	1	49	SWEEPER- Nozzle	96329	1
16	TUBING- Plastic	96921	1	50	VANE- Diffuser	95801	1
17	FITTING- Elbow	96391	1	51	NOZZLE- Sprayer	95779	1
18	TUBING- Plastic	95761	1	52	TUBING- Plastic (#10) (curved)	95731	1
19	TUBING- Plastic (28")	95760	2	53	NUT- Hex (10-24 x 3/8)	81092	1
20	RIVET- Button top	96609	2	54	DECAL- Homelite	97576	1
21	RIVET- Button base	96810	2	55	CLAMP	95785	1
22	STRAP- Tank retaining	96923	1	56	BELLOW- Plastic	95790	1
23	CLAMP	95786	2	57	ELBOW- Plastic	95791	1
24	DECAL (HB-680)	96737	1	58	PUMP- Air	A-95770	1
25	DECAL- Warning	96779	1		Includes:		
26	SCREW- Oval hd.			59	VALVE- Umbrella	95758	2
	(10-24 x 1 1/4)	80450	3	60	BRACKET- Pump mount	95768-A	1
27	DECAL- Instruction	96143	1	61	SCREW- Thread forming,		
28	VALVE- Fluid control	A-95786-A	1		(10 x 5/8)	82409	6
	Includes:			62	ELEMENT- Pump filter	95767	1
29	"O" RING	95743	1	63	TUBING- Plastic	96921	1
30	"O" RING	95781	1	64	DIAPHRAGM- Pump	95769	1
31	TUBING- Rubber	93157-02	1	65	FITTING- Tube	95763-A	1
32	NUT- Hex (6-32)	81238	5				
33	BOLT- Rib neck rd. hd.						
	(10-23 x 7/8)	82375	1				

ALWAYS FURNISH MODEL AND SERIAL NUMBER WHEN ORDERING PARTS.

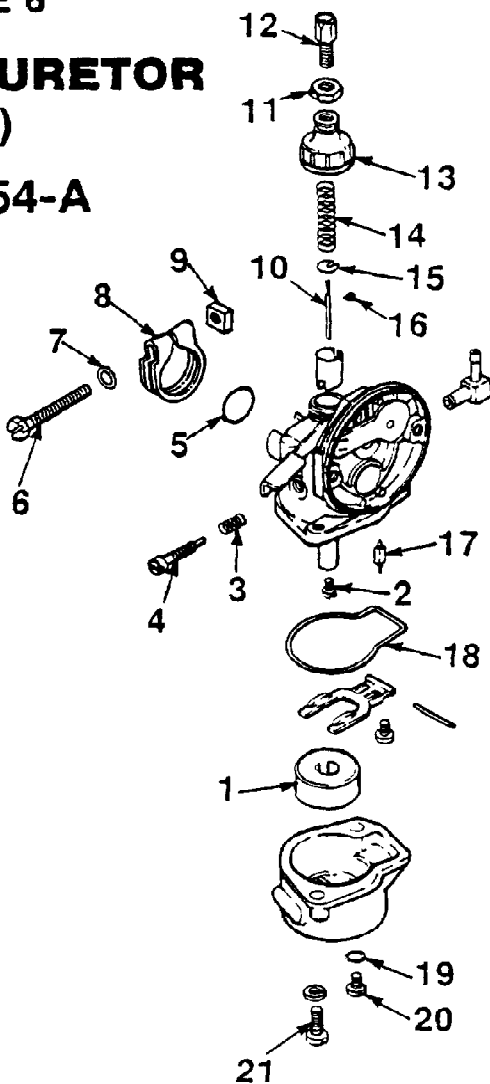


ALWAYS FURNISH MODEL AND SERIAL NUMBER WHEN ORDERING PARTS.

FIGURE 6

**CARBURETOR
(Keihin)**

A-97154-A



NO.	DESCRIPTION	PART NO.	QTY.
1	FLOAT	97730	1
2	JET- Main	97729	1
3	SPRING- Coil	97807	1
4	SCREW- Stop	97810	1
5	"O" RING	97733	1
6	BOLT- Hex	97812	1
7	WASHER	97813	1
8	CLAMP- Outlet	97806	1
9	NUT- Square	97811	1
10	NEEDLE- Jet	97732	1
11	NUT- Hex	97809	1
12	ADJUSTER	97731	1
13	TOP	97808	1
14	SPRING- Coil	97735	1
15	PLATE	97740	1
16	CLIP	97734	1
17	VALVE- Float	97736	1
18	"O" RING	97717	1
19	WASHER	97737	1
20	SCREW- Pan	97739	1
21	SCREW- Pan w/washer	97738	2

HOMELITE DIVISION OF TEXTRON INC.
 14401 Carowinds Boulevard
 P.O. Box 7047
 Charlotte, North Carolina 28217

038218NZ

HOMELITE TEXTRON

Homelite Division of Textron Inc.