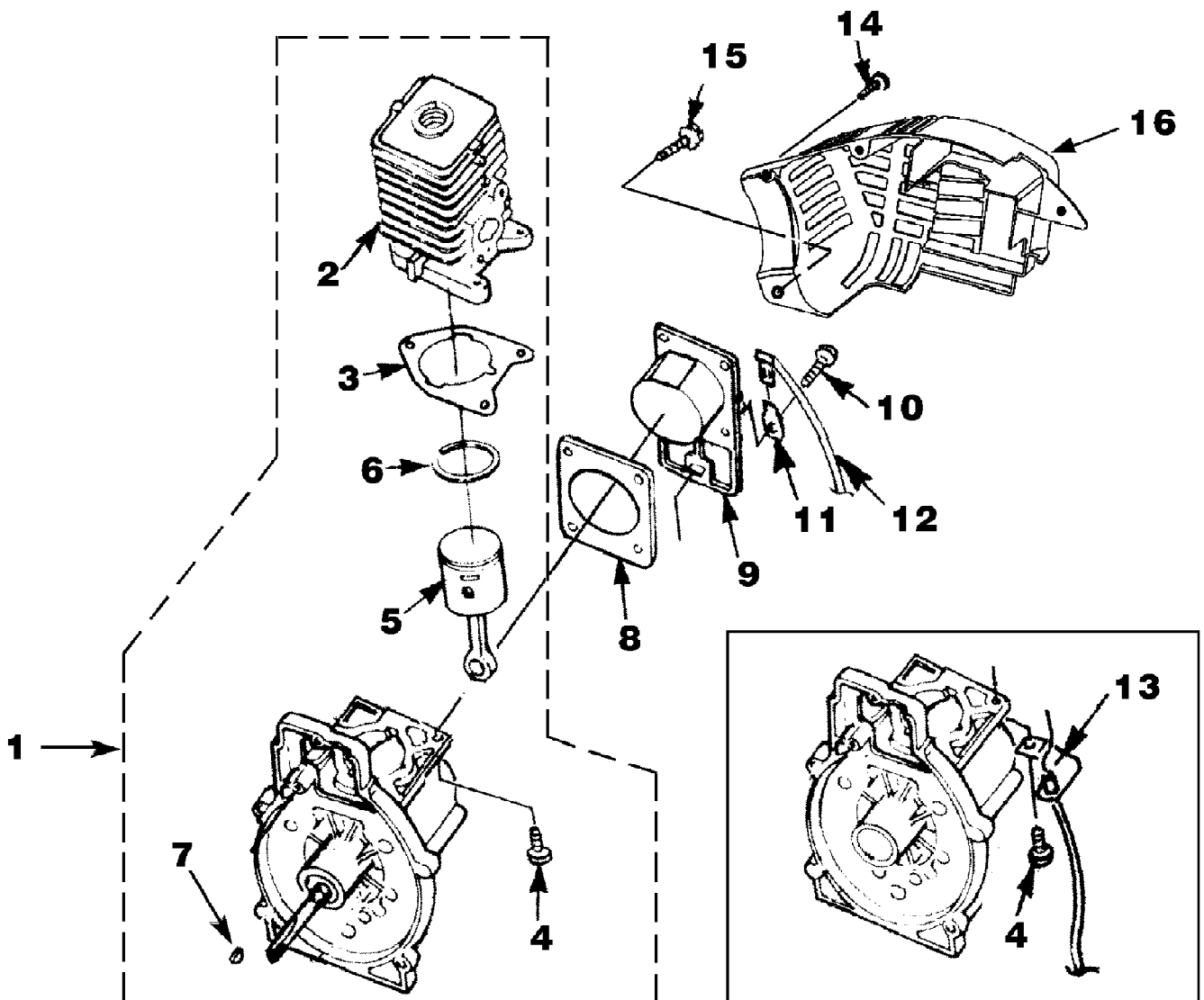
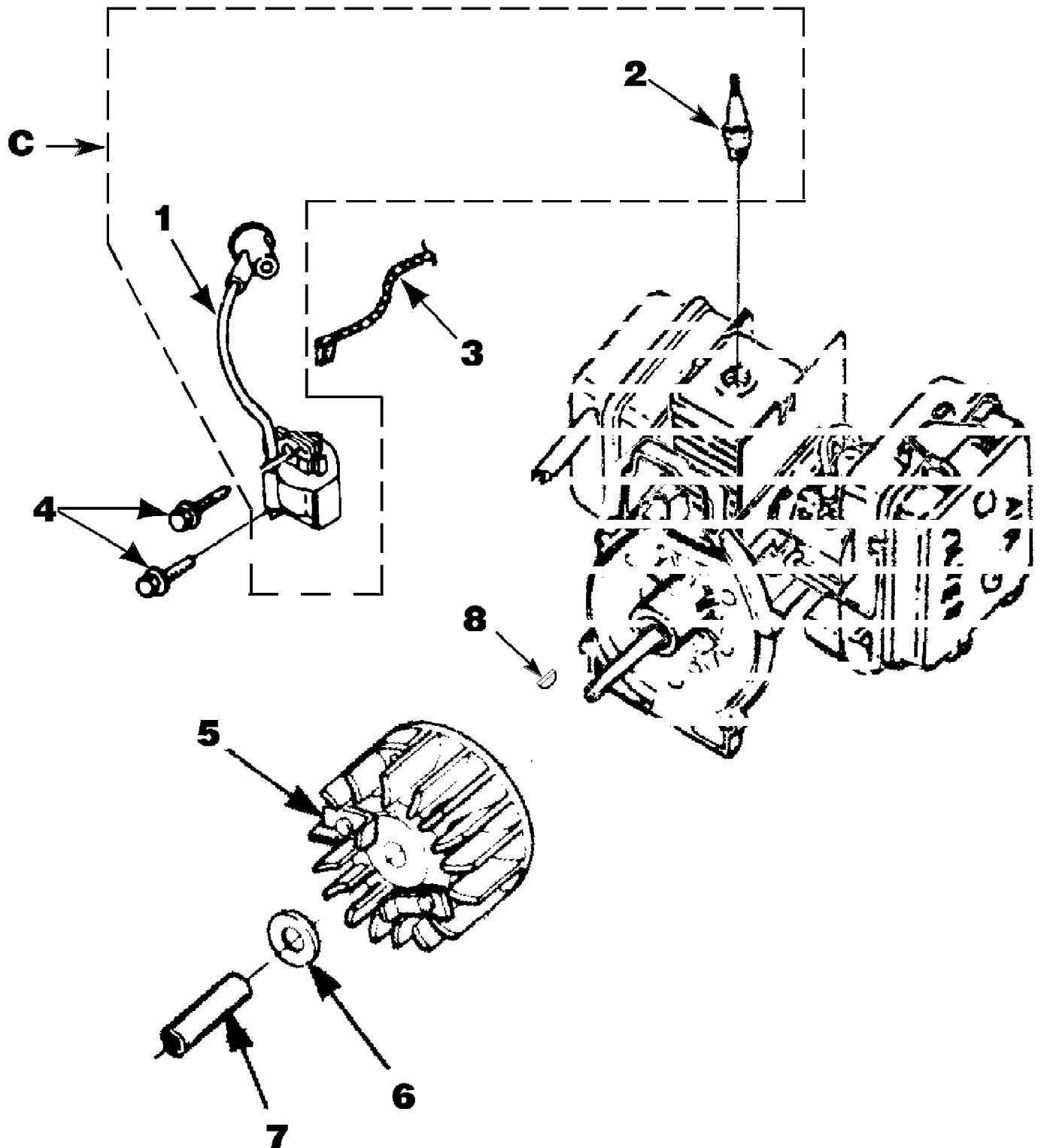


Ref #	Part Number	Qty	S/P/F	Description
F	UP00136	1	S/P	FUEL TANK KIT Includes items 1-5
1	UP04111	1	/P	FUEL CAP (1 3/8" Opening)
2	UP03501	3	S	BUMPER-Rubber
3	7031032	2	S	TUBING-Rubber (8")
4	UP03871	1	S/P	FUEL FILTER
5	4283304	1		INSULATION-Tubing
F	UP00136	1	S/P	FUEL TANK KIT Includes items 6-13
6	UP00106	1	/P	FUEL CAP (1 5/8" Opening)
7	UP03501	3	S	BUMPER-Rubber
8	UP03825	2	S/P	TUBING-Rubber (8")
9	UP03871	1	S/P	FUEL FILTER
10	UP03905	1	/P	TUBING-Rubber (8")
11	UP04310	1	S	Fitting, Inlet (small for 2.5mm ID fuel line)
	UP03831	1	S	Fitting, Inlet (large for 3mm ID fuel line)
12	UP04339	1	S	INSULATION-Tubing
13	UP03913	1	S	CLAMP
B	UP00651	1	/P	CARBURETOR KIT Includes items 14-15
14	UP03915	1	S	GASKET-Carburetor Also included with Short block & Cylinder Kits.
15	UP03943	1	/P	LEVER-Choke (Walbro WT419, WT469)
	UP04278	1	/P	LEVER-Choke (Zama, H39)
B	UP00652	1	/P	CARBURETOR KIT (BP250's, Backpacker & BP30185); Includes items 14-15
14	UP03916	1	S	(GASKET-Carburetor) Also included with Short block & Cylinder Kits.
15	UP03943	1	/P	LEVER-Choke (Walbro WT419,WT469)
	UP04278	1	/P	LEVER-Choke (Zama, H39)
B	UP00653	1	S/P	CARBURETOR KIT (UT08026 E, F, G, H, J, UT08011 G, H, J); Includes items 14-15
14	UP03915	1	S	GASKET-Carburetor Also included with Short block & Cylinder Kits.
15	UP03941	1	/P	LEVER-Choke
16	UP04308	1	S/P	GASKET-Heat Dam Also included with Short block & Cylinder Kits.
17	UP04131	2		SCREW-Thread Form. (10-24 x 1") Torque Specs 30-40 In/Lbs, 3.4-4.5 Nm.
18	UP04348	1	S	HEAT DAM
19	UP04140	2	S	SCREW, SEMS (10-24 x 1.110) Torque Specs 40-50 In/Lbs, 4.5-5.6 Nm. Required Loctite 262 Red; Also included with Short block & Cylinder Kits.



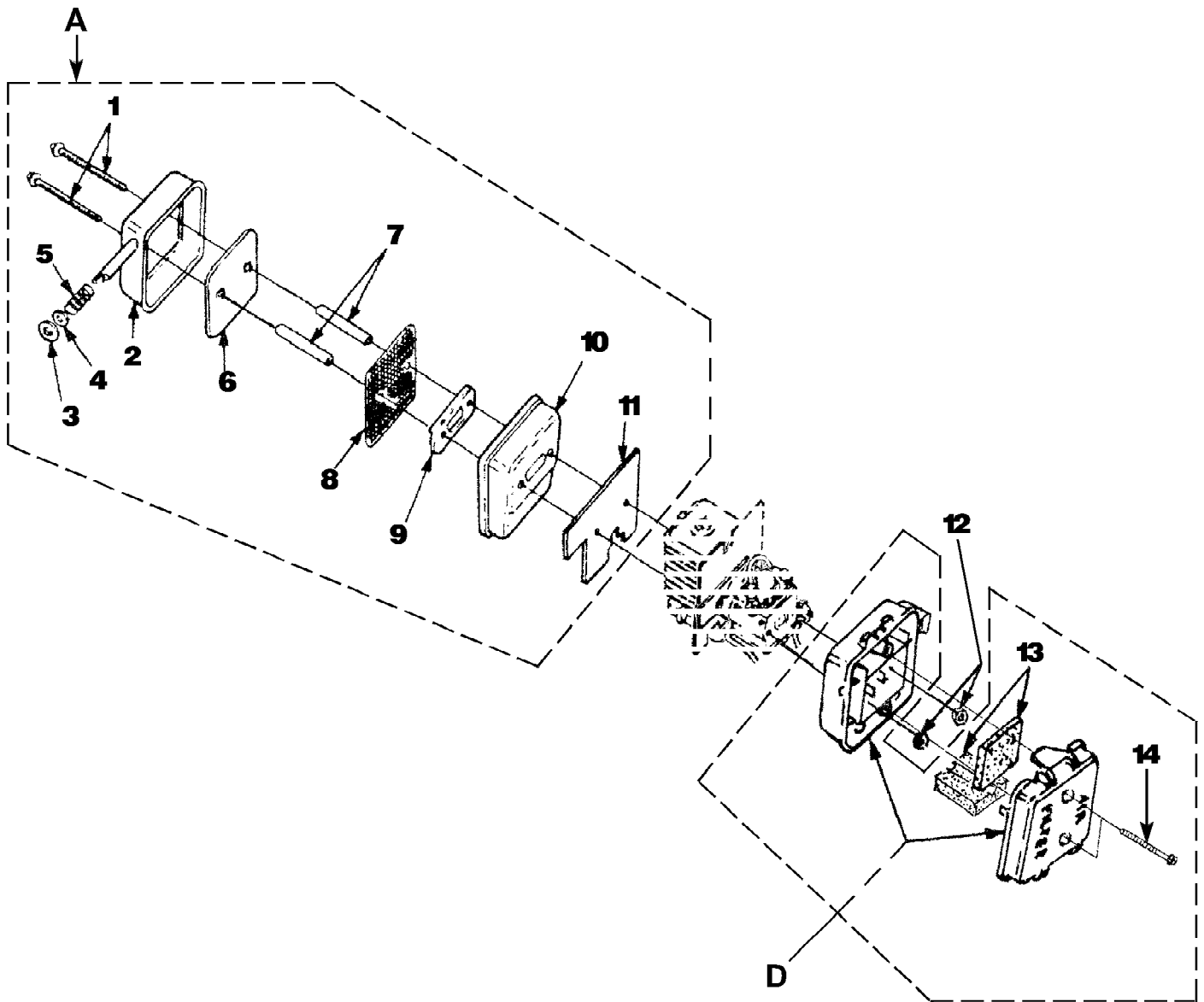
Ref #	Part Number	Qty	S/P/F	Description
1	UP03121	1	S/P	SHORT BLOCK W/Rotor (30cc) Includes items 2-7
2	UP07146	1	S/P	30 CC CYLINDER KIT Includes items 3-4
3	UP03857	1	S/P	GASKET-Cylinder Also Included with Short Block & Cylinder Kits
4	UP04345	3	S/P	SCREW, SEMS (12-24 x 3/4) Torque Specs 55-65 In/Lbs, 6.2-7.3 Nm. Required Loctite 262 Red
5	UP03366	1	S	30 CC PISTON & ROD Includes item 6
6	UP03837	2	S/F	RING-Piston
7	UP03874	1	S	KEY-Woodruff
	UP03817	1	S/P	GASKET-Muffler (Not Shown)
1	UP03123	1	/P	SHORT BLOCK W/Rotor (25cc) Includes items 2-7
2	UP04136	1	S	25 CC CYLINDER KIT Includes items 3-4
3	UP03857	1	S/P	GASKET-Cylinder
4	UP04345	3	S/P	SCREW, SEMS (12-24 x 3/4) Torque Specs 55-65 In/Lbs, 6.2-7.3 Nm. Required Loctite 262 Red
5	UP00768	1	S/P	25 CC PISTON & ROD Includes item 6
6	UP03838	1	S/P	RING-Piston
7	UP03874	1	S	KEY-Woodruff
	UP03817	1	S/P	GASKET-Muffler (Not Shown)
8	UP04335	1	S	GASKET-Crankcase Torque Specs 55-65 In/Lbs, 6.2-7.3 Nm. Required Loctite 262 Red; Also Included with Short Block & Cylinder Kits
9	UP04336	1	S	CRANKCASE COVER-Stamped Steel
10	UP04295	4	S/P	SCREW, SEMS (10-24 x .56) (Use with stamped steel c/case cover); Also Included with Short Block & Cylinder Kits
9	UP03914	1	S/P	CRANKCASE COVER-Aluminum
10	UP04277	4	/P	SCREW, SEMS (10-24 x .810) (Use with aluminum c/case cover); Also Included with Short Block & Cylinder Kits
11	UP03834	1	S	TAB-Male
12	UP04302	1	S	CABLE-Throttle w/Ignition Leads (BP250's, Backpacker & BP30185)
13	UP04296	1	S	CABLE BRACKET (BP250's, Backpacker & BP30185)
14	UP03893	3	S	SCREW-Thread Form. (#8 X 1/2") Torque Specs 8-12 In/Lbs, .9-1.4 Nm.
15	UP03900	6	S/P	SCREW-Thread Form. (#10 X 3/4") Torque Specs 20-30 In/Lbs, 2.3-3.4 Nm.
16	UP06522	1	S/P	SHROUD
	UP06779	1		SHROUD-Flocked (HB180-VI, HB390-VI)



HB180 Blower UT-08009-D
Ignition With Rotor

Page 6 of 14

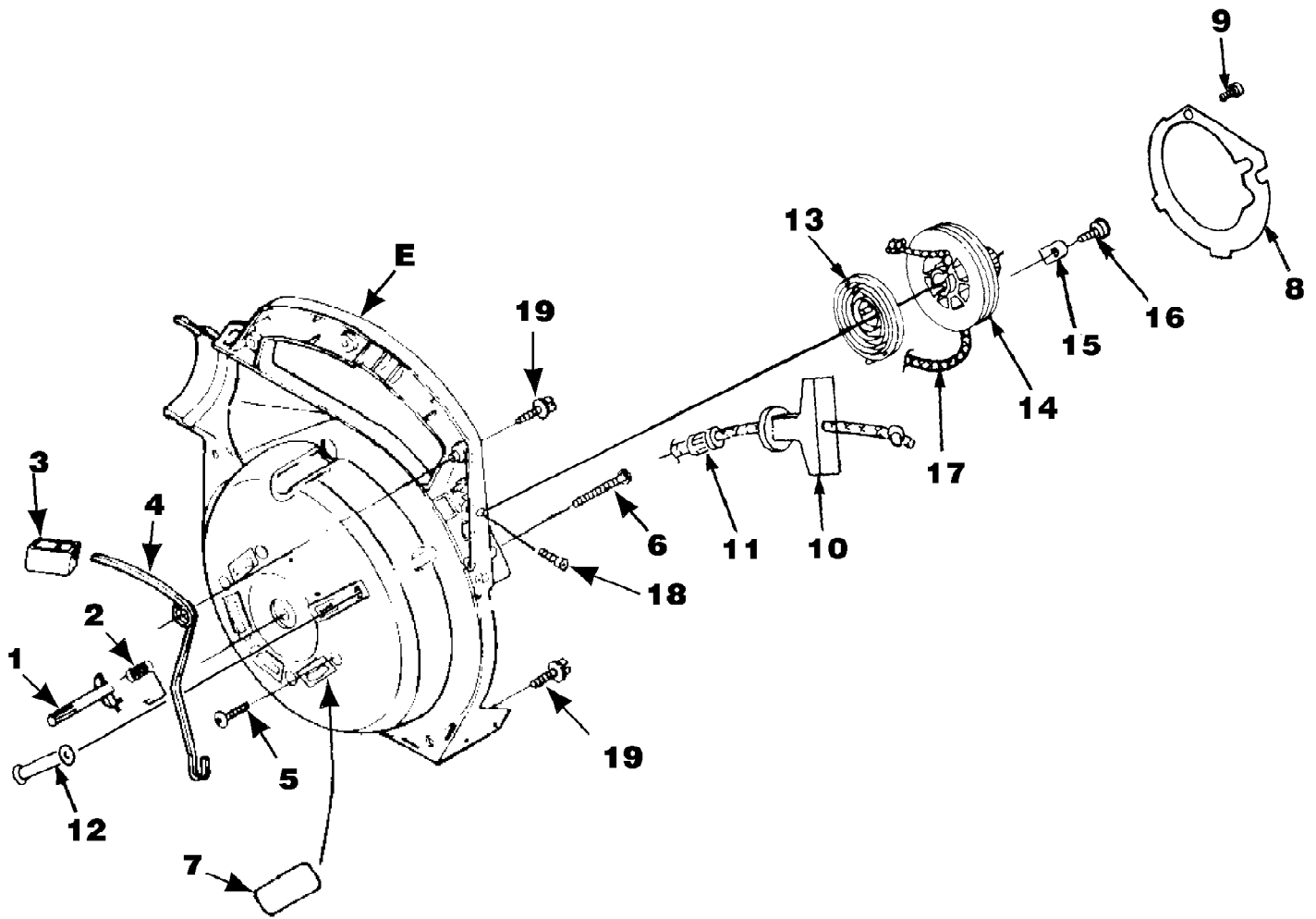
Ref #	Part Number	Qty	S/P/F	Description
C	UP03858	1	/P	IGNITION KIT w/Module Includes items 1-2
1	UP03868	1	S/P	TERMINAL-Hi-Tension
2	UP03883	1	/P	SPARK PLUG (RDJ-7Y) Torque Specs 120-180 In/Lbs, 13.6-20.3 Nm.
3	A03924	1	S	LEAD-Electrical (BP250's, Backpacker & BP30185)
4	UP03896	2	S/P	SCREW-Thread Form. (8-32 x 1") Torque Specs 30-40 In/Lbs, 3.4-4.5 Nm. Required Loctite 242 Blue
5	UP03009	1		ROTOR & STARTER PAWLS
6	UP03906	1	S/P	WASHER-Flat
7	UP03854	1	S/P	SPACER-Fan
8	UP03874	1	S	KEY-Woodruff



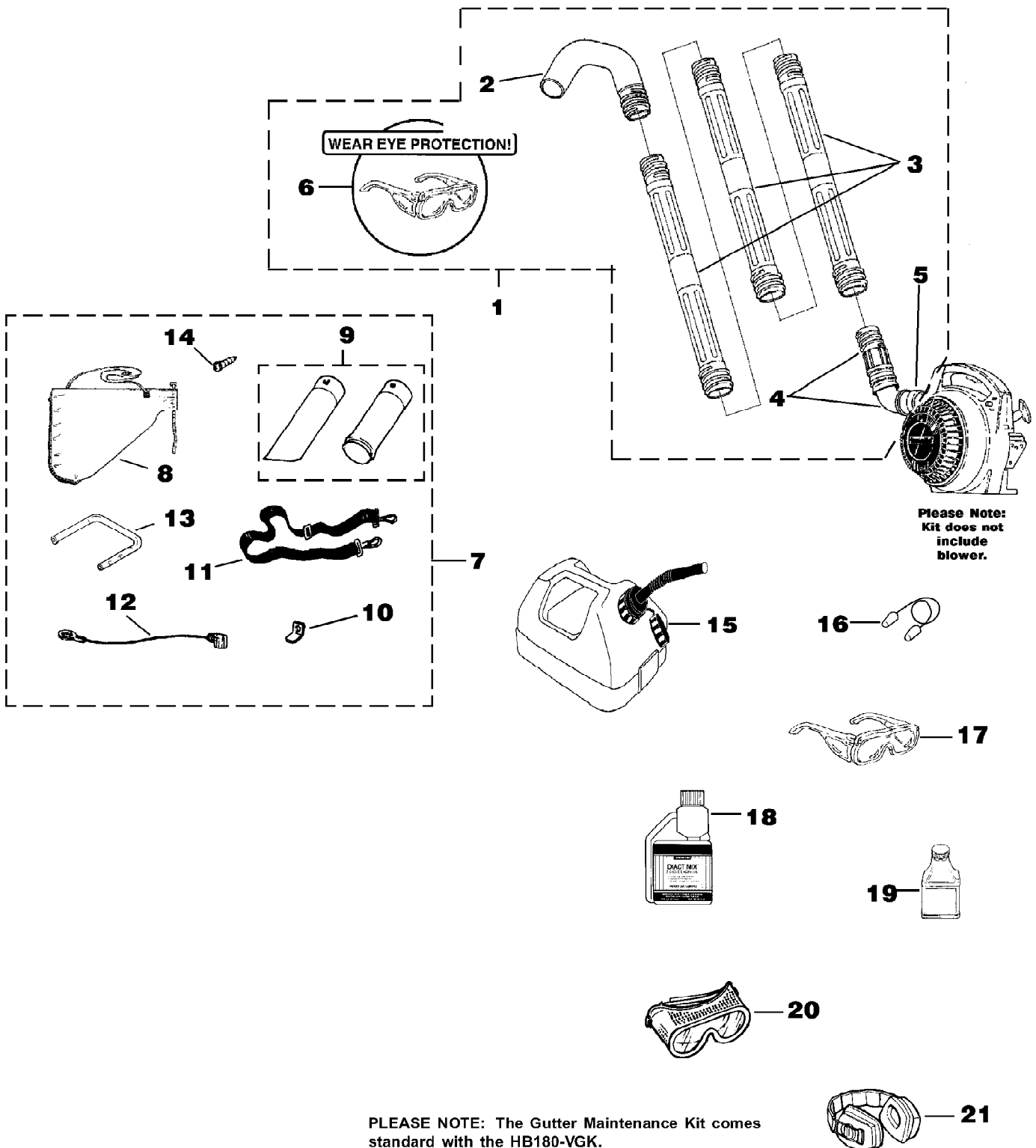
HB180 Blower UT-08009-D
Muffler And Air Cleaner

Page 8 of 14

Ref #	Part Number	Qty	S/P/F	Description
A	UP04486	1	S/P	MUFFLER-Complete Includes items 1-11
1	UP03902	2	S	SCREW-Sems Hex Hd. (10-24 x 2 1/2") Torque Specs 40-50 In/Lbs, 4.5-5.6 Nm.
2	UP03810	1	S	MUFFLER COVER
3	UP03813	1	S	WASHER-Insulating
4	UP03901	1	S	WASHER-Flat
5	UP03814	1	S	SPRING-Compression
6	UP04289	1	S	DEFLECTOR-Muffler
7	UP03860	1	S	SPACER-Muffler
8	UP03815	1	S	SCREEN-Spark Arrestor
9	UP03918	1	S	PLATE-Reinforcing
10	UP04305	1	S	BODY-Muffler
11	UP03817	1	S/P	GASKET-Muffler Also included with Short block & Cylinder Kits.
12	UP03885	2	S	NUT-Hex (10-24) Torque Specs 30-40 In/Lbs, 3.4-4.5 Nm.
D	UP00011	1	/P	AIR FILTER KIT Includes items 13-14
13	UP00012	1	/P	AIR FILTER
14	UP03890	2	S/P	SCREW-Thd. Form. (#8-16 x 3/4") Torque Specs 30-40 In/Lbs, 3.4-4.5 Nm.



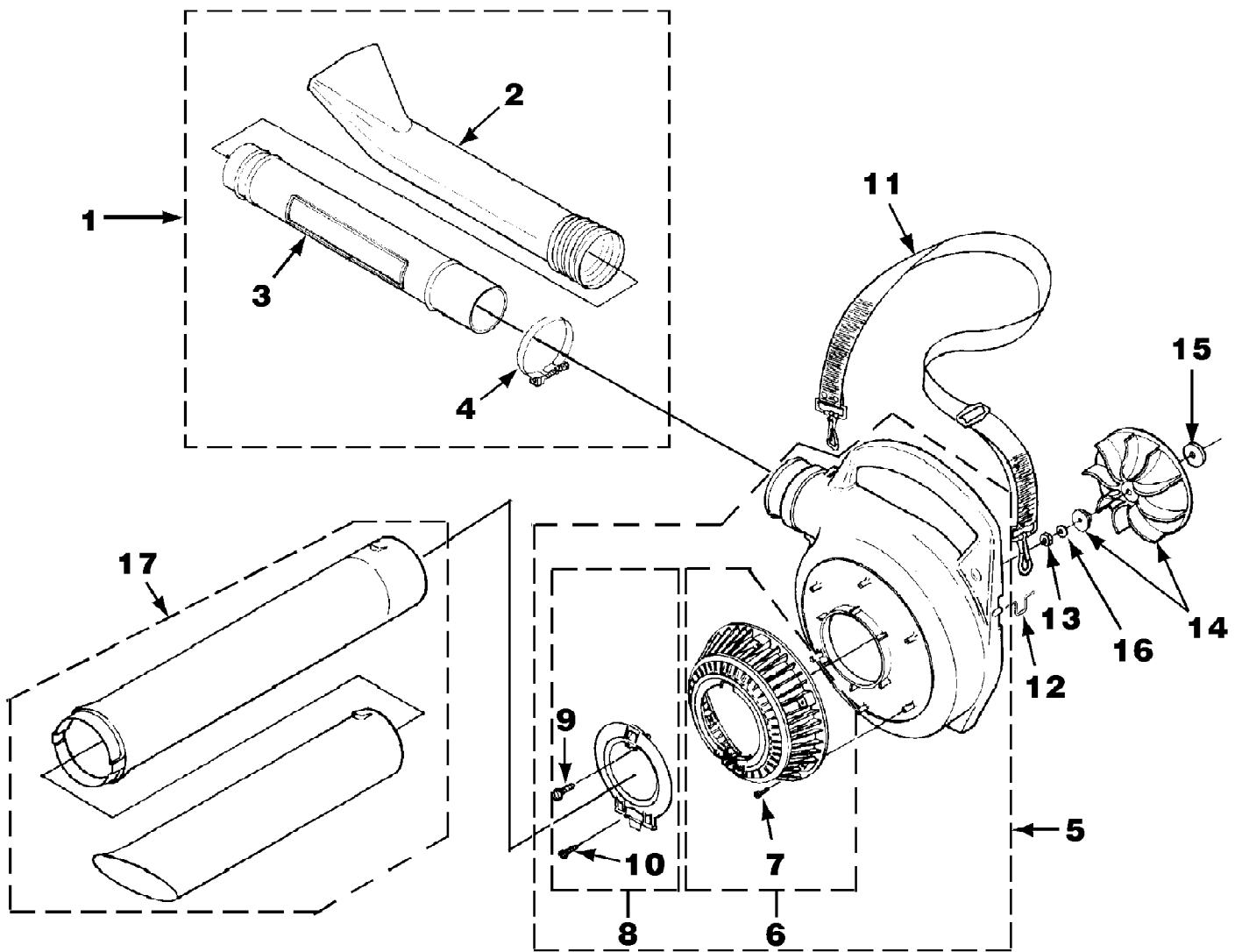
Ref #	Part Number	Qty	S/P/F	Description
1	UP03800	1	S	LATCH-Throttle
2	UP03811	1	S	SPRING-Throttle Latch
3	UP03798	1	S	TRIGGER-Throttle
4	UP03803	1	S	LEVER-Throttle
5	UP03406	4	S	SCREW-Thread Form. (10-24 X 3/4") Torque Specs 55-60 In/Lbs, 6.2-6.8 Nm.
6	UP03869	1	S	SCREW-Thread Form. (#10 X 1 5/8") Torque Specs 20-30 In/Lbs, 2.3-3.4 Nm.
E	UP06792	1	S/P	VOLUTE HOUSING & STARTER Includes items 7-17
7	UP03822	1	S	KIT-Sealing
8	UP04279	1	S	PLATE-Rotor
9	UP03894	1	S	SCREW-Thread Form. (#6 X 1 3/8") Torque Specs 8-12 In/Lbs, .9-1.4 Nm.
10	UP04276	1	S/P	GRIP-Starter
11	UP03910	1	S/P	BUSHING-Starter
12	UP03809	1	S	BUSHING-Starter Rope
13	UP03917	1	S	SPRING & CONTAINER
14	UP04349	1	S	PULLEY-Starter
15	UP03919	2	S	BRACKET-Retaining
16	UP03897	2	S	SCREW-Thread Form. (#10 X 1/2") Torque Specs 30-40 In/Lbs, 3.4-4.5 Nm.
17	UP03911	1	S	ROPE-Starter
18	UP03887	1	S/P	SCREW-Phil. Hd. (8-32 X 5/8") Torque Specs 20-30 In/Lbs, 2.3-3.4 Nm.
19	UP03900	6	S/P	SCREW-Thread Form. (10-24 X 3/4") Torque Specs 20-30 In/Lbs, 2.3-3.4 Nm.



HB180 Blower UT-08009-D
Tubes - Accessories

Page 12 of 14

Ref #	Part Number	Qty	S/P/F	Description
1	A02514D	1	S	GUTTER MAINTENANCE KIT (HB100's, HB180's, HB25150, HB25150V, HB290's, HB390's); Includes items 2-6
2	UP06830	1	S	FULL ELBOW
3	UP05618	3	S	STRAIGHT TUBE
4	UP06836	1	S	UPPER ELBOW & SWIVEL ADAPTER
5	UP03821	1	S/P	CLAMP w/Fasteners
6	UP06835	1	S	SAFETY GLASSES-Clear
7	UP04152	1	S/P	VACUUM KIT (HB180's, HB25150, HB25150V, HB290's, HB390's); Includes items 8-14
8	UP04548	1	S/P	LEAF BAG
9	UP06705	1	S	VACUUM TUBE KIT w/ Decal
10	UP03834	1	S	TAB-Male
11	UP06723	1	S/P	HARNESS-Shoulder
12	UP03823	1	S	LEAD-Ground
13	UP03816	1	S	HANDLE
14	UP03889	1	S	SCREW
15	A02976A	1		GAS CAN 1 1/4 Gallon
16	UP06839	1		EAR PLUGS
17	UP06835	1	S	SAFETY GLASSES-Clear
18	01231D	1	S	EXACT MIX(TM) Oil - 1 pint (50:1)
19	08581	1	S/P	EXACT MIX(TM) Oil - 2.6 oz. (50:1)
20	UP06778	1		GOGGLES
21	UP07694	1		EAR PROTECTORS



HB180 Blower UT-08009-D
Volute, Fan & Tubes

Page 14 of 14

Ref #	Part Number	Qty	S/P/F	Description
1	UP06741	1	S	BLOWER TUBE KIT Includes items 2-4
2	UP03812	1	S	NOZZLE-Sweeper
3	UP04365	1	S/P	TUBE
4	UP03821	1	S/P	CLAMP w/Fasteners
5	UP03861	1	S/P	VOLUTE HOUSING KIT Includes items 6-10
6	UP06720	1	S	BLOWER VAC GRILLE KIT Includes item 7
7	UP03894	6	S	SCREW-Thread Form. (#6 X 3/8") Torque Specs 8-12 In/Lbs, .9-1.4 Nm.
8	UP06613	1	S/P	ACCESS DOOR KIT Includes items 9-10
9	UP03888	1	S/P	SCREW-Thread Rolling (#10 X 5/8") Torque Specs 10-20 In/Lbs, 1.1-2.3 Nm.
10	UP03893	1	S	SCREW-Thread Form. (#8 X 1/2") Torque Specs 8-12 In/Lbs, .9-1.4 Nm.
11	UP06723	1	S/P	SHOULDER STRAP
12	UP03818	1	S	WIRE LOOP
13	UP03884	1	S/P	NUT-Hex (3/8-24) Torque Specs 130-150 In/Lbs, 14.7-16.9 Nm.
14	UP06826	1	S/P	BLOWER FAN KIT
15	UP03836	2	S	WASHER-Flat
16	UP03835	1	S	WASHER-Bellville (3/8")
17	UP06705	1	S	TUBE Kit w/Decals (Vacuum units only)