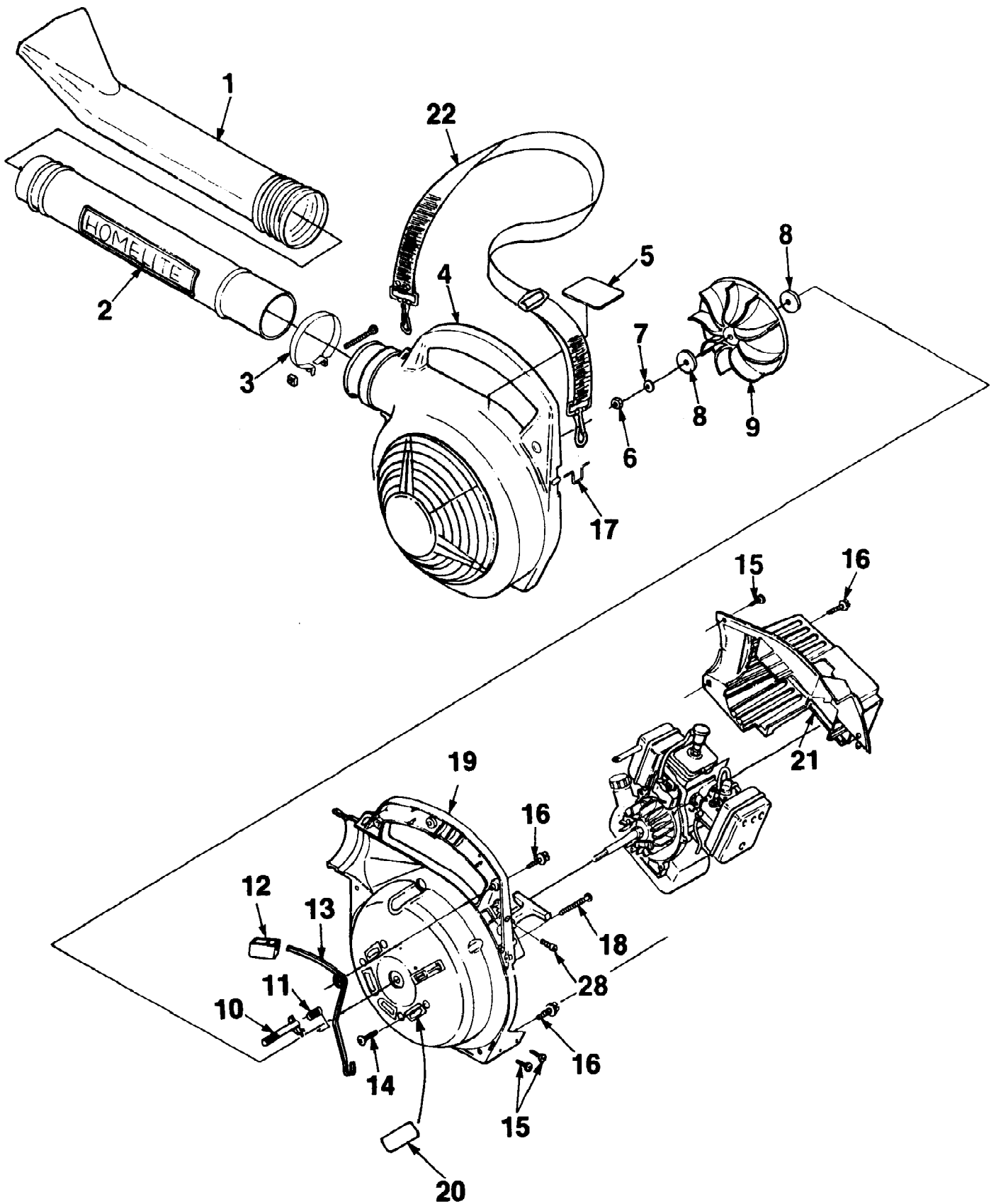


HB100 Blower UT-08011
Blower

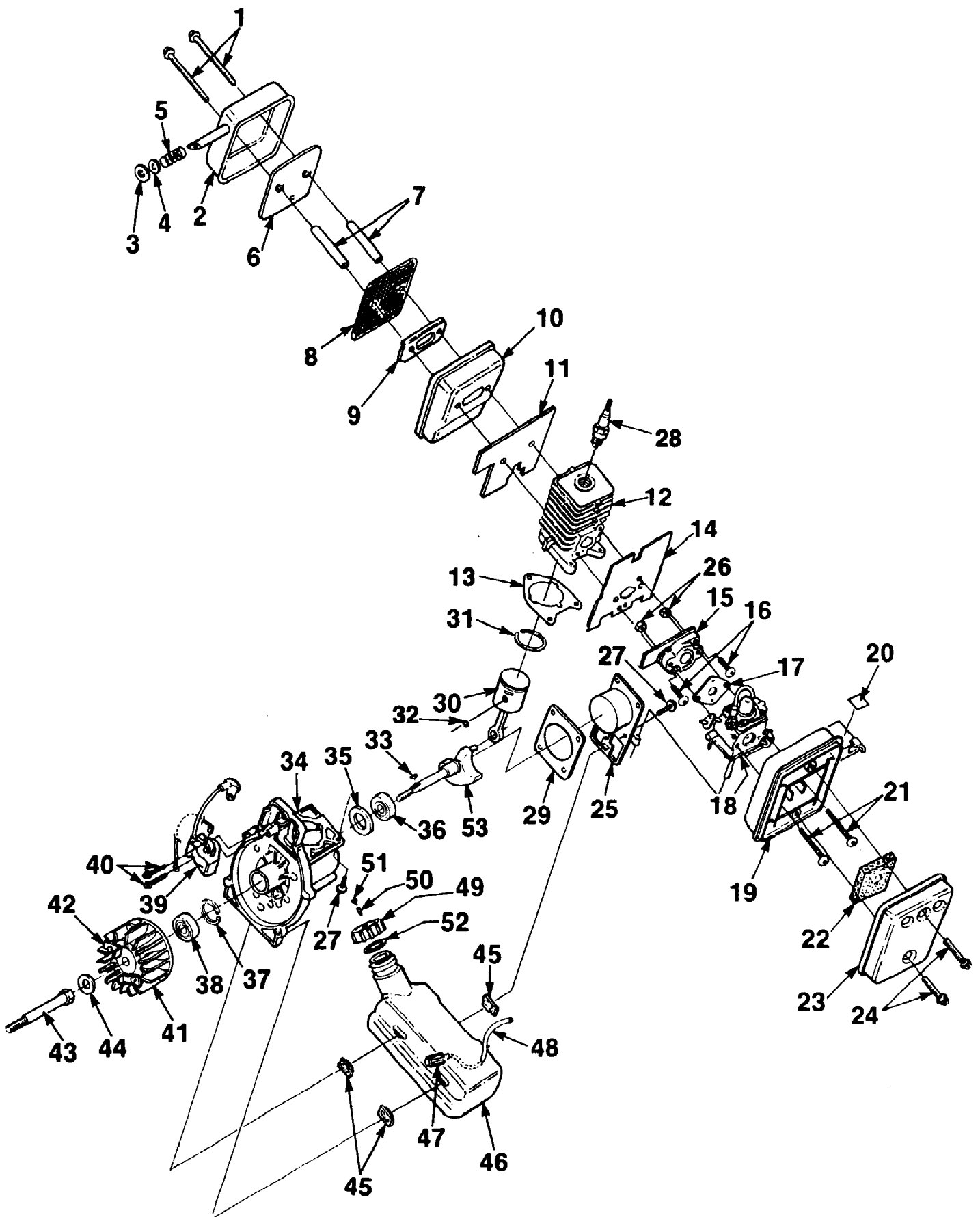
Page 1 of 7



HB100 Blower UT-08011
Blower

Page 2 of 7

Ref #	Part Number	Qty	S/P/F	Description
1	00373	1		NOZZLE - Sweeper
2		1		TUBE w/DECAL
3	00433	1		CLAMP
4	01039	1		HOUSING - Volute (outer)
5	00375	1		DECAL - Warning
6	81117	1	/P	NUT - Hex 5/16-24
7	70788	1	S	WASHER - Belleville #10
8	00380	2		WASHER - Flat
9	00318	1		FAN - Blower
10	00368	1		LATCH - Throttle
11	00370	1	S/P	SPRING - Throttle latch
12	00367	1	/P	TRIGGER - Throttle
13	00369	1		LEVER - Throttle
14	82508	1		SCREW - Thd Forming
15	82348	4		SCREW - Tapping pan #8 x 1/2
16	70771	8	S	SCREW - Thd forming #10 x 3/4
17	00398	1	/P	LOOP - Wire
18	JA416903	1	/P	SCREW - Hex hd. #10 x 1 5/8
19	A00814A	1		HOUSING - Volute (inner) (Includes #20)
20	A00813A	1	S	KIT - Sealing
21	00321	1	S	SHROUD
22	DA98138A	1		STRAP - Shoulder (Acc.)
28		1		UNKNOWN



HB100 Blower UT-08011
Engine

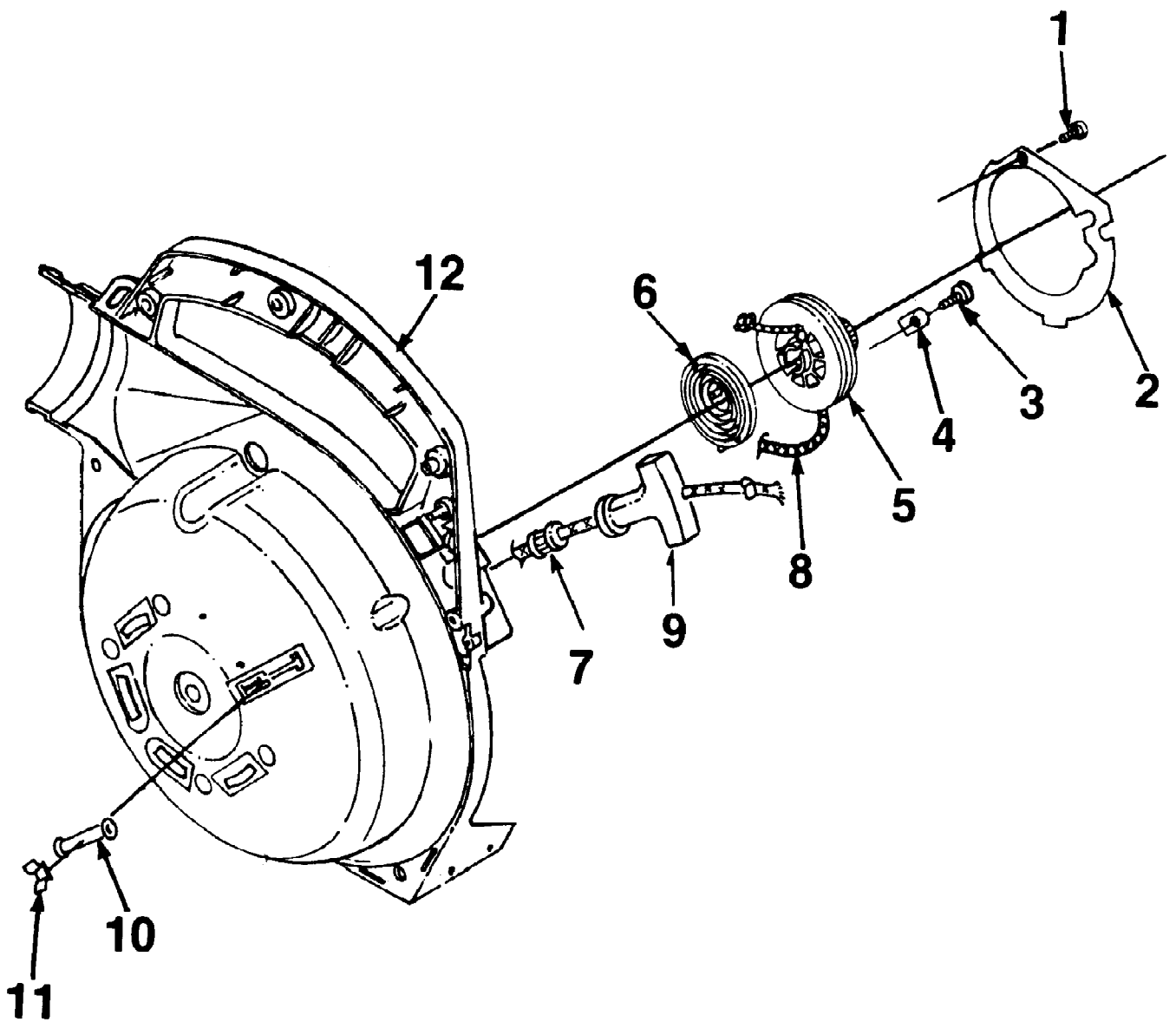
Page 4 of 7

Ref #	Part Number	Qty	S/P/F	Description
1	88060	2	S/P	SCREW - Sems Hex Hd. (10-24 x 2 1/2)
2	A00366	1	/P	COVER - Muffler
3	00381	1	/P	WASHER - Insulating
4	84117	1	/P	WASHER - Flat
5	00387	1	/P	SPRING - Compression
6	00777	1	/P	DEFLECTOR - Muffler
7	98860	2		SPACER - Muffler
8	00388B	1	/P	SCREEN - Spark arrestor
9	98783	1	/P	PLATE - Reinforcing
10	98781	1	S/P	BODY - Muffler
11	00394A	1	S	GASKET - Muffler
12	A00108	1		CYLINDER (Includes #13)
13	98764	1		GASKET - Cylinder
14	00775	1		GASKET - Heat dam
15	98768	1	S	HEAT DAM
16	82510	2	S	SCREW - (10-24)
17	98766	1		GASKET - Carburetor
18	A00378	1		CARBURETOR (WT-80) Walbro
19	A00110	1	S	BOX - Air filter
20	98942	1		DECAL - Choke/Run
21	82507	2	/P	SCREW - Thread Forming (10-24 x 1)
22	D98760	1		AIR FILTER
23	98761	1		COVER - Air filter
24	82368	2	S	SCREW - Thread forming 8-16 x 3/4
25	98754A	1	S	COVER - Crankcase
26	81208	2	/P	NUT - Hex (1/4-28 x 3/4)
27	82508	3		SCREW - Thd forming #10-24 x 3/4
28	96169S	1	S	SPARK PLUG
29	98767	1		GASKET - Crankcase
30	A01036A	1	/P	PISTON & ROD ASSEMBLY (Includes # 31 & 32)
31	96935	1	S	RING - Piston
32	65261	2	/P	RING - Piston retaining
33	69250	1	/P	KEY - Woodruff
34	A00107	1		CRANKCASE ASSEMBLY (Includes # 35 - 38)
35	98800	1	/P	SEAL - Shaft
36	98797	1	/P	BEARING - Ball
37	98799	1	/P	RING - Retaining
38	98798	1	S	BEARING - Ball
39	94711B	1	S	MODULE - Ignition
40	82509	2	S	SCREW - Thd forming 8-32 x 1
41	A95007	1	S	ROTOR & STARTER PAWL (Includes 42)
42	A70285D	1	S	STARTER PAWL KIT
43	00377	1		ADAPTER - Fan
44	84065	1	S	WASHER - Flat 5/16
45	98792	3	/P	BUMPER - Rubber
46	A00098A	1		TANK - Fuel (Includes #47 & 48)
47	49422	1	S	FILTER - Fuel
48	9477228	1		TUBING - Rubber
49	A00099	1		FUEL CAP ASSEMBLY (Includes #50 - 52)
50	98819	1	/P	VALVE - Duck Bill

HB100 Blower UT-08011
Engine

Page 5 of 7

Ref #	Part Number	Qty	S/P/F	Description
51	98913	1	S	FILTER
52	98805	1	S	GASKET - Fuel cap
53	987583	1		CRANKSHAFT



HB100 Blower UT-08011
 Starter

Page 7 of 7

Ref #	Part Number	Qty	S/P/F	Description
1	82528	1	/P	SCREW - Thread Forming (#6-19 x 3/4 lg.)
2	00374	1	/P	PLATE - Rotor
3	82511	1		SCREW - Thd. forming 10 x 1/2
4	98791	1	/P	BRACKET - Retaining
5	98770	1		PULLEY - Starter
6	A98773	1		SPRING & CONTAINER
7	A97796	1	S	BUSHING - Starter
8	97899	1	S	ROPE - Starter 46"
9	70211	1	S	GRIP - Starter rope
10	00364	1		BUSHING - Starter rope
11	00379	1		CLIP - Retainer
12	A00814A	1		HOUSING - Volute (inner)