

No
Diagram
Available

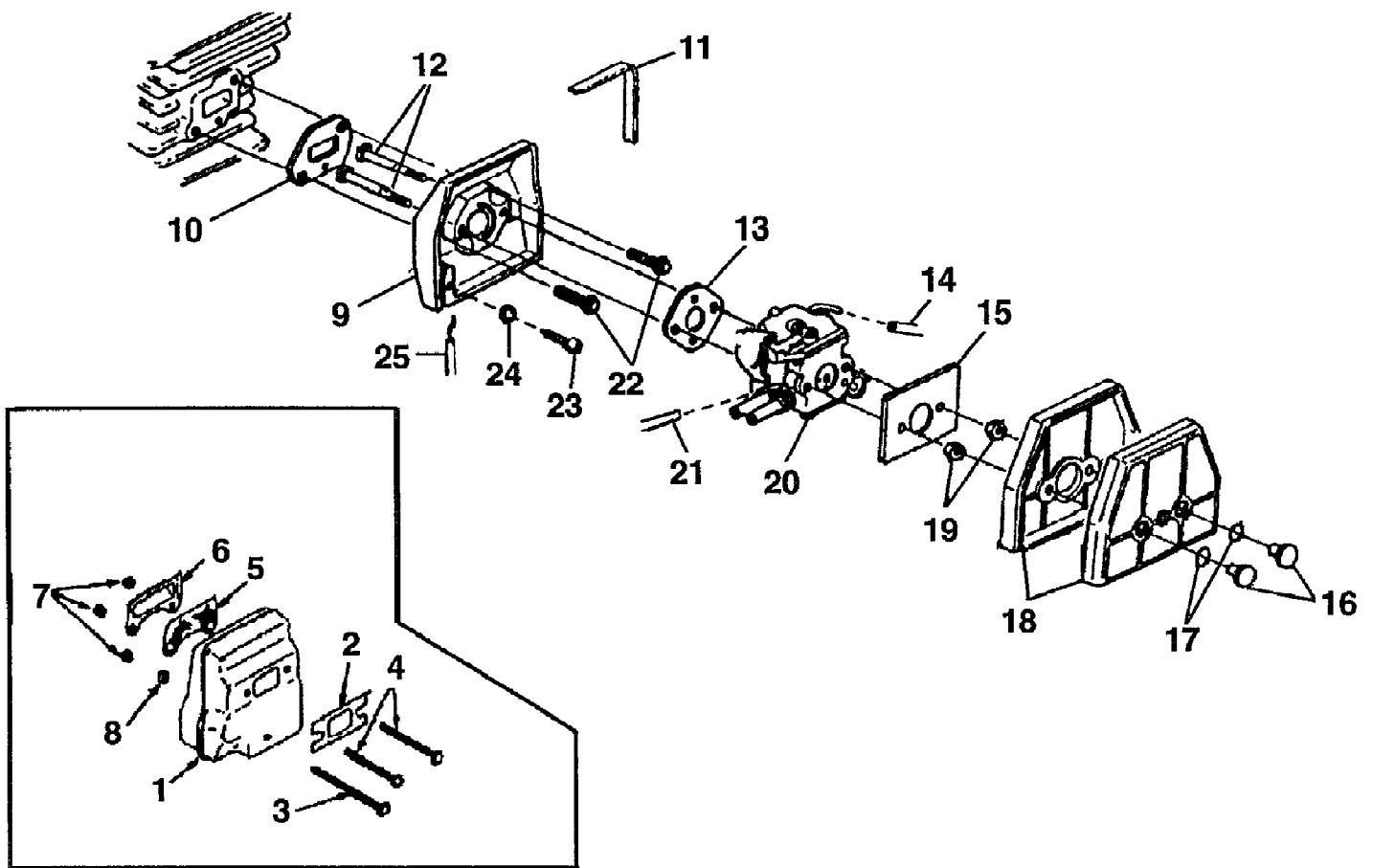
Parts List
Only

z4400 Chain Saw UT-10765
Accessories

Page 2 of 16

Ref #	Part Number	Qty	S/P/F	Description
A02177	A02177	1		BUMPER SPIKE KIT
7031099	7031099	1	S	RUBBER TUBING (10')
18453	18453	1	/P	GREASE - Multi-Purpose (Sprocket bearing-PT guide bar)
98052A	98052A	1	/P	STARTING ROPE (250 ft. Reel)
A70776B	A70776	1		SAFE.T.TIP
PT16321H6	PT16321H6	1		GUIDE BAR, (power tip) (16")
PT18321H6	PT18321H6	1		GUIDE BAR (power tip) (18")
PT20321H6	PT20321H6	1		GUIDE BAR, (power tip) (20")
SP16321H6	SP16321H6	1		GUIDE BAR, (sprocket tip) (16")
SP20321H6	SP20321H6	1		GUIDE BAR, (sprocket tip) (20")
94194	94194	1	/P	COMPRESSION TESTER
17789	17789	1	S	CARBURETOR REPAIR TOOL
24306	24306	1	S	SHIM (.0125")
18416	18416	1		DIGITAL TACHOMETER
18080	18080	1	S	CLUTCH ASSEMBLY TOOL
24823	24823	1	S	SEALANT SILICON
A24824	A24824	1	S	WRENCH (combination)
A24747A	A24747A	1		PULLER - Megneto Rotor
2498202	2498202	1	/P	T-25 TORX DRIVE BIT
22486	22486	1		SHIM (0.015" AIR GAP)
GP203225	GP203225	1		TESTER (Spark Plug)
A01182	A01182	1		CLUTCH SPANNER
DIL7267AH	DIL7267AH	1		CHAIN (32-MD50-87) (16")
DIL7273AH	DIL7273AH	1		CHAIN (32-MD50-73) (18")
DIL7279AH	DIL7279AH	1		CHAIN (32-MD50-79) (20")

z4400 Chain Saw UT-10765
Carburetor - Muffler

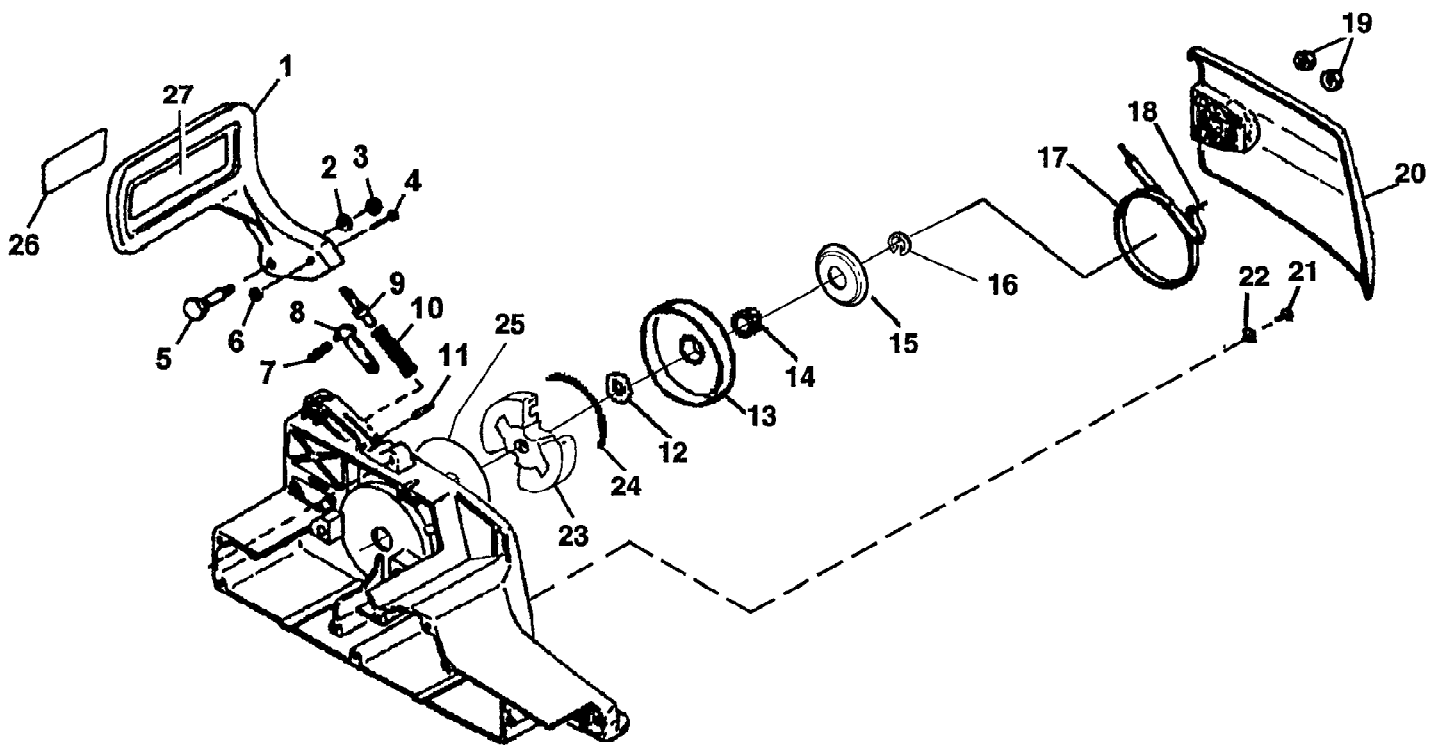


z4400 Chain Saw UT-10765
Carburetor - Muffler

Page 4 of 16

Ref #	Part Number	Qty	S/P/F	Description
1	A04414	1	S	MUFFLER - Complete
2	01543B	1		GASKET-Muffler
3	02176	1		SCREW- Square Hd. (10-32 x 2 1/2)
4	02509	2		SCREW- Square Hd. (10-32 x 2 1/4)
5	01532	1		SCREEN-Spark Arrestor
6	01531A	1		COVER- Exhaust
7	81206	3	S/P	NUT Locking Hex (10-32)
8	84009	1	S	WASHER- Flat (#12)
9	A02583	1		SPACER-Carburetor
10	01029	1	S	GASKET- Carburetor Spacer
11	01823	1		FOAM- Adhesive
12	00905A	2		SCREW- Carburetor Retainer
13	98339	1	S/P	GASKET-Carburetor
14	7031036	1	S	TUBING-Rubber (9")
15	02695	1		RETAINER PLATE
16	01178	2		RETAINER NUT- Filter
17	02718	2	/P	"O" RING
18	A02582A	1	S	AIR FILTER
19	81009	2	/P	NUT- Hex (#8-32)
20	A08628	1		CARBURETOR (Walbro WT-452)
21	7031019	1	S	TUBING- Rubber (4 3/4")
22	82430	2		SCREW Mach. Hex Hd. (8-32 x 7/8")
23	82513	1	/P	SCREW Thread Form (6-19 x 5/8")
24	84123	1		WASHER Flat (#6)
25	00997D	1		CABLE Throttle

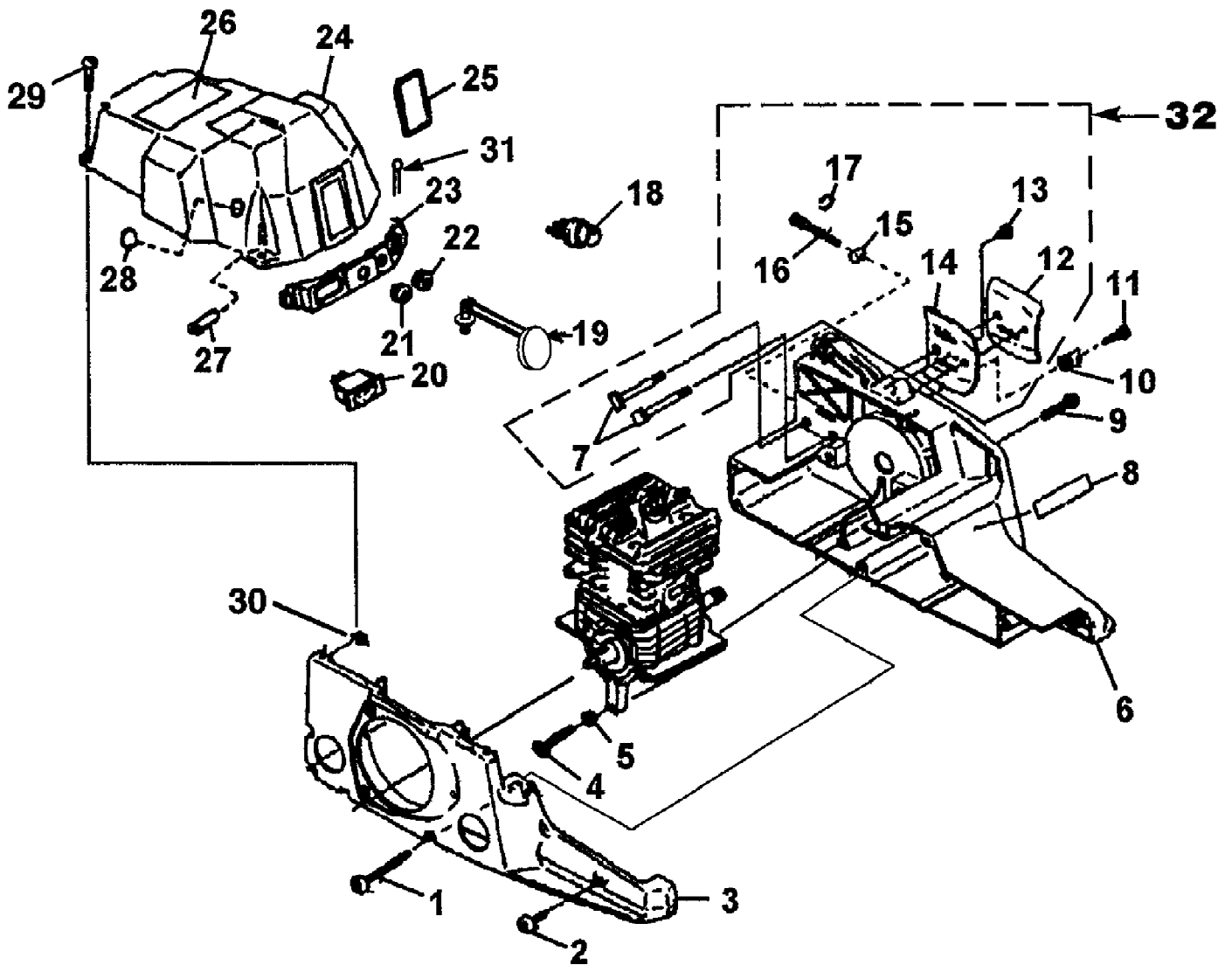
z4400 Chain Saw UT-10765
Clutch & Chain Brake



z4400 Chain Saw UT-10765
Clutch & Chain Brake

Page 6 of 16

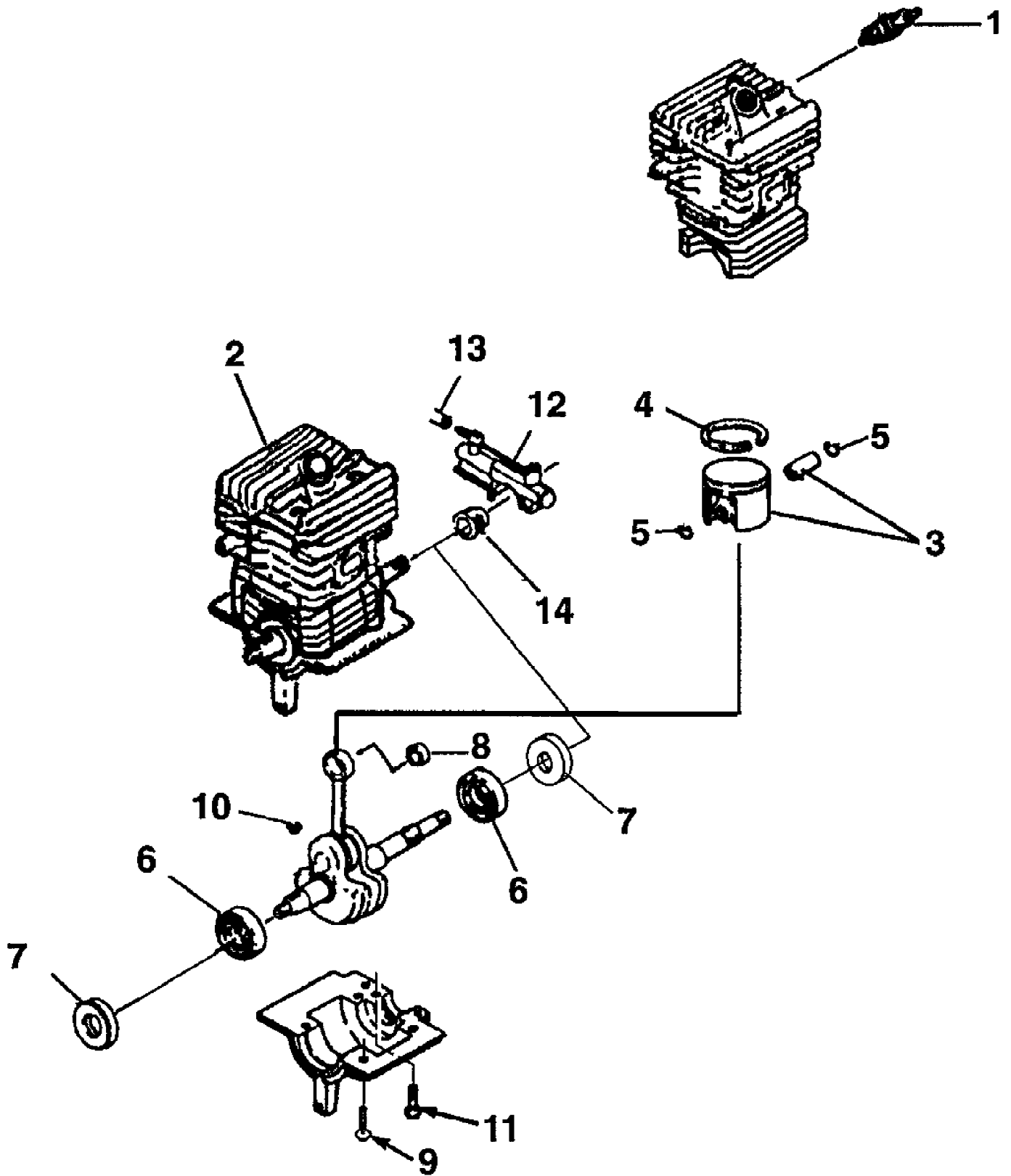
Ref #	Part Number	Qty	S/P/F	Description
1	A06757	1		GUARD, HAND Not used on this model.
2	83203	1		WASHER, BELLVILLE Not used on this model.
3	98457	1		NUT (M5) Not used on this model.
4	98422A	1		PIN Not used on this model.
5	98461	1		SCREW, SHOULDER Not used on this model.
6	01820	1		RING, RETAINER Not used on this model.
7	98308	1		SPRING, COIL Not used on this model.
8	A98317A	1		BRAKE LATCH ASSY. Not used on this model.
9	A00888A	1		ADJUSTER, BRAKE Not used on this model.
10	00890	1	S	SPRING, COMPRESSION Not used on this model.
11	98456	1		PIN Not used on this model.
12	65027	1		WASHER, THRUST
13	A07274	1		SPROCKET & DRUM & BEARING
14	70277	1	S	BEARING, NEEDLE
15	06341	1		SHIELD, Dust
16	06948	1		E-Clip
17	A98298B	1	/P	BRAKE BAND ASSY Not used on this model.
18	06672	1	S/P	PIN, DOWEL Not used on this model.
19	81196	2	S/P	NUT, HEX
20	A00226A	1	/P	COVER, DRIVE CASE
21	82513	1	/P	SCREW, THREAD FORM (#6) Not used on this model.
22	01180	1		RETAINER, BRAKE BAND Not used on this model.
23	A06349	1		CLUTCH ASSY.
24	06348	1		SPRING, CLUTCH
25	93643	1		WASHER, FLAT
26	02561A	1		LABEL, KICKBACK Not used on this model.
27	02661	1		DECAL, SAFETY



z4400 Chain Saw UT-10765
Engine Housing

Page 8 of 16

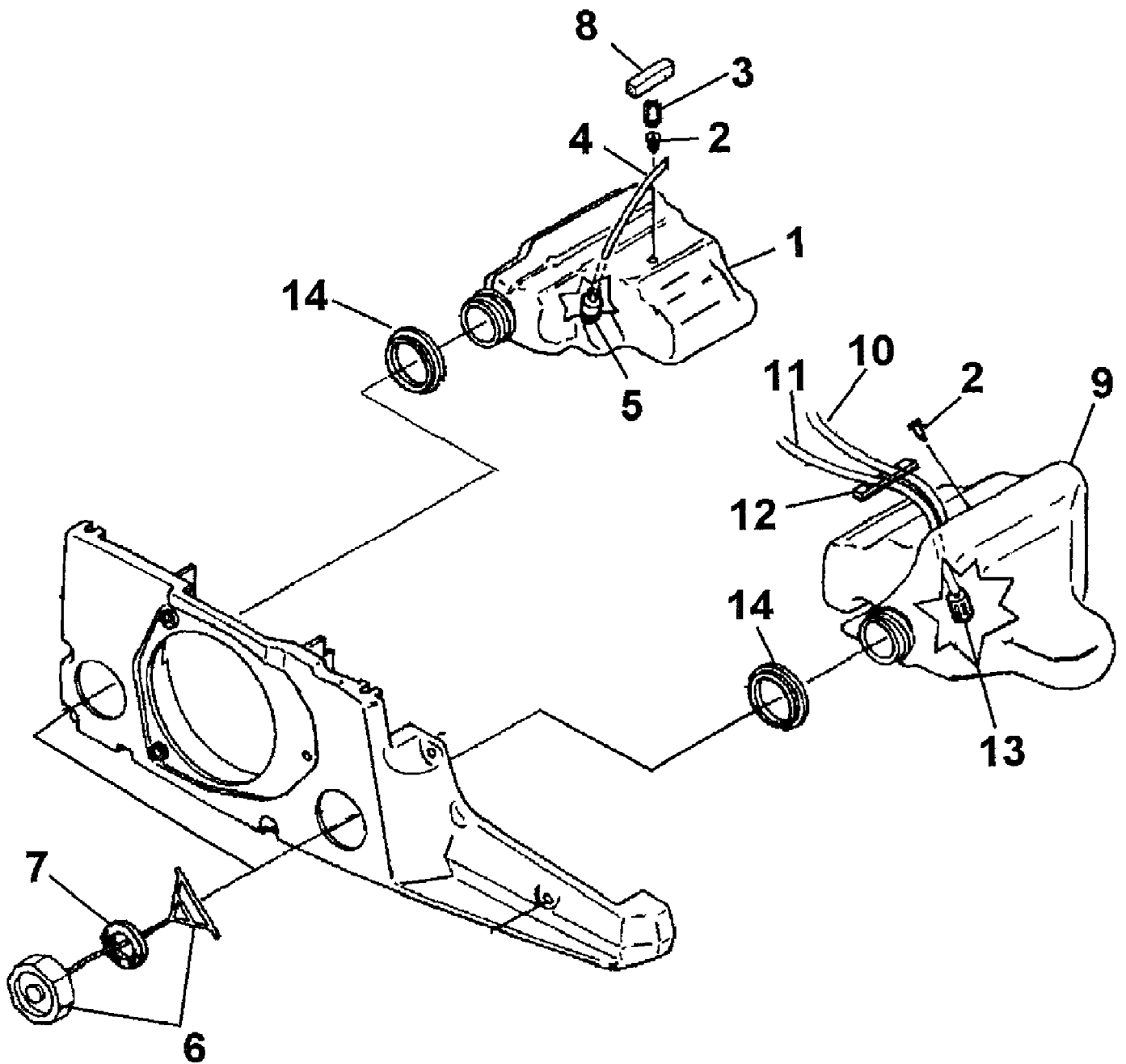
Ref #	Part Number	Qty	S/P/F	Description
1	82545	3		SCREW- Thread Form. (8-16 x 1 3/4")
2	82546	4	S/P	SCREW- Thread Form. (8-16 x 5/8")
3	002071B	1	/P	HOUSING-Starter Side
4	82588	1		SCREW-Thread Form. (10-14 x 1 1/8")
5	83056	1		WASHER-Lock
6	A03720B	1	/P	HOUSING- Drive Side
7	03132	2	/P	BOLT- Guide Bar
8	01805A	1	/P	DECAL- Panel
9	80864	2	/P	SCREW-Hex Hd. (12-24 x 1")
10	95212	1	/P	STOP- Chain
11	82537	1	/P	SCREW- Thread Form (10-14 x 7/8")
12	01170	1	S	PLATE- Guide Bar (Outer)
13	82513	1	/P	SCREW- Thread Form. (6-19 x 1/2")
14	98278	1		PLATE- Guide Bar (Inner)
15	651121	1	S	PIN- Adjusting
16	03139	1	S	SCREW- Guide Bar Adjusting
17	69599	1	/P	RING- Snap
18	01183	1	/P	BULB- Primer
19	06355	1	S	ROD- Choke
20	01802	1	S	SWITCH- Ign.
21	69889	1	/P	BOOT- Throttle Cable
22	64862	1	/P	GROMMET- Choke
23	01169	1		PANEL- Control
24	A02581C	1	/P	CYLINDER COVER
25	01173A	1		SCREEN- Air Inlet
26	02506	1		LABEL- Warning
27	01172	1		GROMMET- Carburetor
28	01179A	1		PLUG- Idle Speed
29	95792	3	/P	SCREW- Round Hd. (10-24 x .710)
30	70810	3	S	NUT- Square (10-24)
31	86334	1	/P	PIN-Cotter
32	A06635	1		GUIDE BAR FASTENER KIT



z4400 Chain Saw UT-10765
Engine Internal

Page 10 of 16

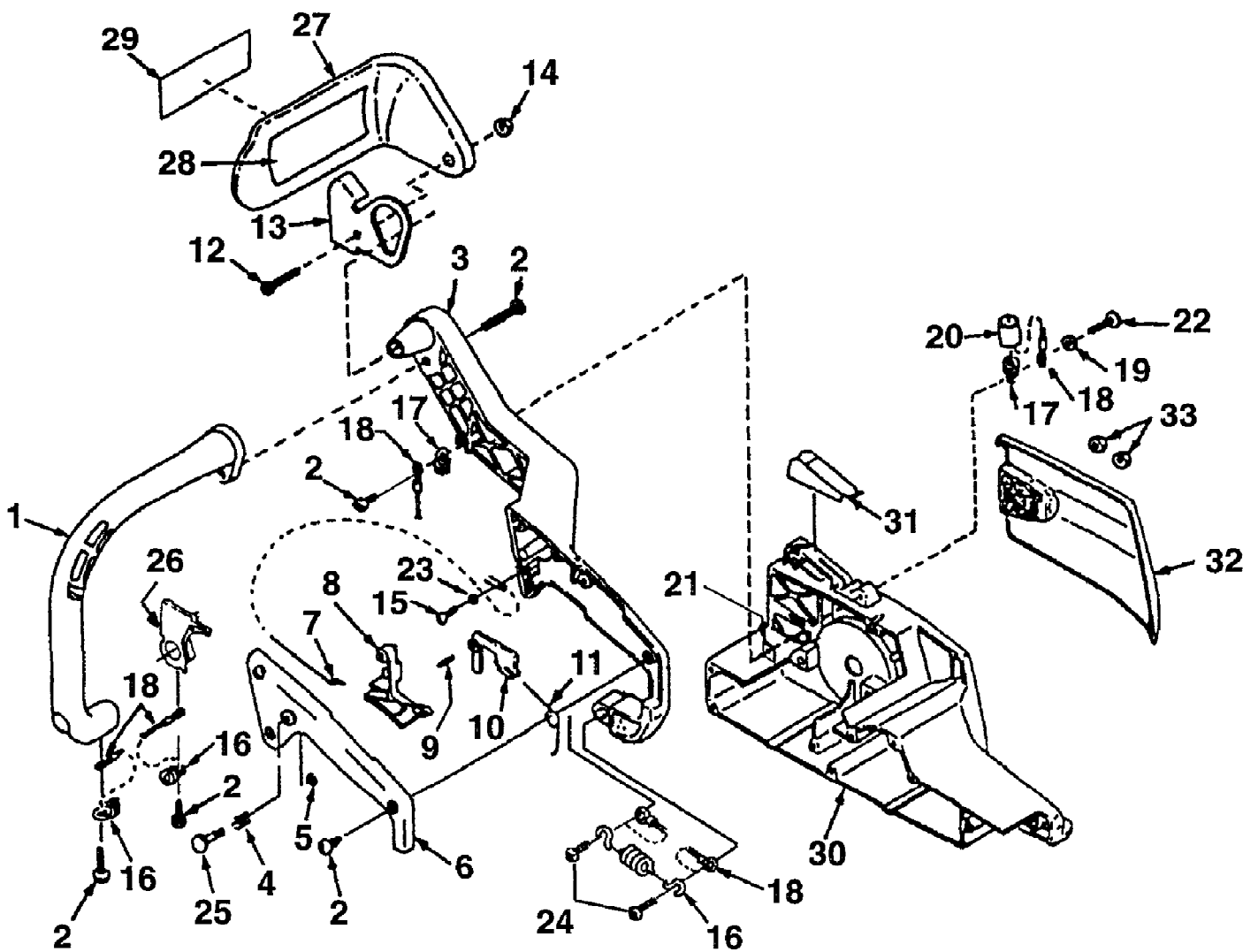
Ref #	Part Number	Qty	S/P/F	Description
1	98217S	1	/P	SPARK PLUG (RCJ6Y)
2	A07275	1		SHORT BLOCK
3	A08213	1		PISTON & PIN
4	07278	1		RING, PISTON ASSEMBLY
		1		WRIST PIN
5	64813	2	/P	RING, WRIST PIN RETAIN.
6	A06340	2		BEARING & CAP, CRANKSHAFT
7	06339	2		SEAL, SHAFT
8	70277	1	S	BEARING, NEEDLE
9	80891	4	/P	SCREW, Hex Hd. (12-24 X 7/8")
10	75078	1		KEY, WOODRUFF
11	82146	2	S	SCREW, FIL. HD. (8-32 X 5/8") (OIL PUMP)
12	A02802A	1	S	OIL PUMP
13	02548	1		TUBING, OIL (TO GUIDE BAR)
14	06342	1		WORM GEAR, LEFT HAND



z4400 Chain Saw UT-10765
Fuel & Oil Tanks

Page 12 of 16

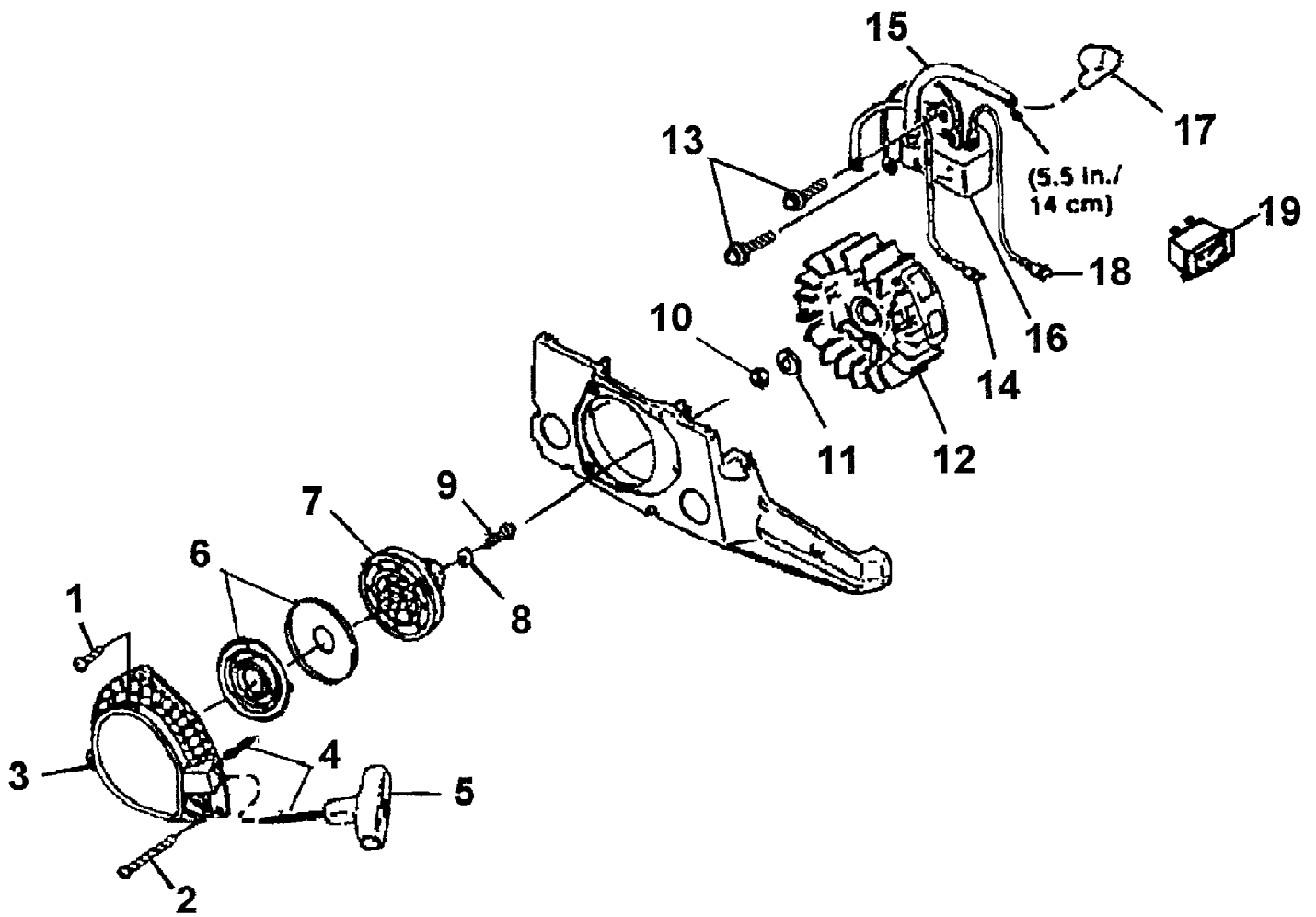
Ref #	Part Number	Qty	S/P/F	Description
1	A06636	1		OIL TANK ASSY.
2	03134	1	S/P	VALVE-Check
3	03585	1		PIN-Spirol
4	7031029	1		TUBING- Rubber (7 1/4")
5	A68593	1		FILTER- Oil
6	A00904A	1	S	CAP- Tank (w/Retainer)
7	02762A	1	S	GASKET-Fuel Cap
8	69443	1		FILTER- Oil Tank Valve
9	A06637	1	/P	FUEL TANK ASSY.
2	03134	1	S/P	VALVE- Check
6	A00904A	1	S	CAP- Tank (w/Retainer)
7	02762A	1	S	GASKET-Fuel Cap
10	7031021	1	S	TUBING-Rubber (5 1/4")
11	7031036	1	S	TUBING- Rubber (9")
12	02952	1		FILTER- Foam
13	49422	1	S	FILTER- Fuel
14	00993	2		SAWDUST SEAL



z4400 Chain Saw UT-10765
Handle

Page 14 of 16

Ref #	Part Number	Qty	S/P/F	Description
	A07217	1		HANDLE KIT
1	A01175	1		HANDLE BAR
2	82546	1	S/P	SCREW, Thread Form (8-16 X 5/8")
3	07164	1		HANDLE-Rear
4	95020	1	S	SPRING-Compression
5	58409	1	/P	RING, Retaining
6	00210C	1		COVER-Rear Handle
7	00997D	1		CABLE-Throttle
8	A03806A	1		TRIGGER & SWIVEL
9	70253	1		PIN-Dowel
10	93385A	1	/P	LOCK-Trigger
11	02316	1	/P	SPRING-Trottle
12	80402A	1	S	SCREW-Hex Cap
13	00258	1		MOUNTING BRACKET-Handguard
14	81258	1	S	NUT-Flange Hex
15	82513	2	/P	SCREW, Thread Form (#6-19 X 7/8")
	A07214	1	/P	ISOLATOR KIT
16	01168	2		SPRING-Extension
17	02813	1	S	SPRING-Extension
18	03583	3	S	RETAINER-Spring
19	84008	1	S/P	WASHER-Flat (#10)
20	01813	1		SLEEVE-Spring
21	70810	1	S	NUT-Square (#10-24)
22	82562	1	S	SCREW-Pan Hd. (#10-24 X 7/8")
23	84123	2		WASHER-Flat
24	82546	2	S/P	SCREW-Thread Form (8-16 X 1/2)
25	95671	1	S	PIN-Throttle Lock
26	002071B	1	/P	HOUSING-Starter Side
27	A95088A	1		HANDGUARD
28	02661	1		DECAL-Kickback
29	00317A	1	/P	DECAL-Kickback
30	A03720B	1	/P	ENGINE HOUSING-(Drive Side)
31	00234	1		COVER-Snap On
32	A00226A	1	/P	DRIVE CASE COVER
33	81196	2	S/P	NUT-Hex (5/16"-18)



z4400 Chain Saw UT-10765
Starter - Ignition

Page 16 of 16

Ref #	Part Number	Qty	S/P/F	Description
1	182546	4		SCREW-Thread Form (8-16 x 5/8")
2	282544	1		SCREW-Thread Form (8-16 x 2")
3	A04778A	1	/P	STARTER - COMPLETE
4	9789901	1	/P	ROPE, STARTER (46")
5	02264	1	S	GRIP, STARTER
6	A97908	1	/P	SPRING & CONTAINER
7	97768B	1	S	PULLEY
8	94062	1	/P	WASHER, RETAINING
9	82409	1	/P	SCREW Plastite (10-14 x 5/8")
10	81255	1		NUT, LOCK
11	95479A	1	/P	WASHER, FLAT
12	A06949	1		ROTOR & STARTER PAWLS
13	88052	2	/P	SCREW, Sems Hex Hd. (10-24 x 7/8")
14	A01821A	1		IGNITION GROUND WIRE
15	95098	1		SLEEVE, Insulating
16	A01546	1		IGNITION MODULE
17	A02597	1		SPARK PLUG BOOT KIT
18	A01822A	1		IGNITION WIRE
19	01802	1	S	SWITCH