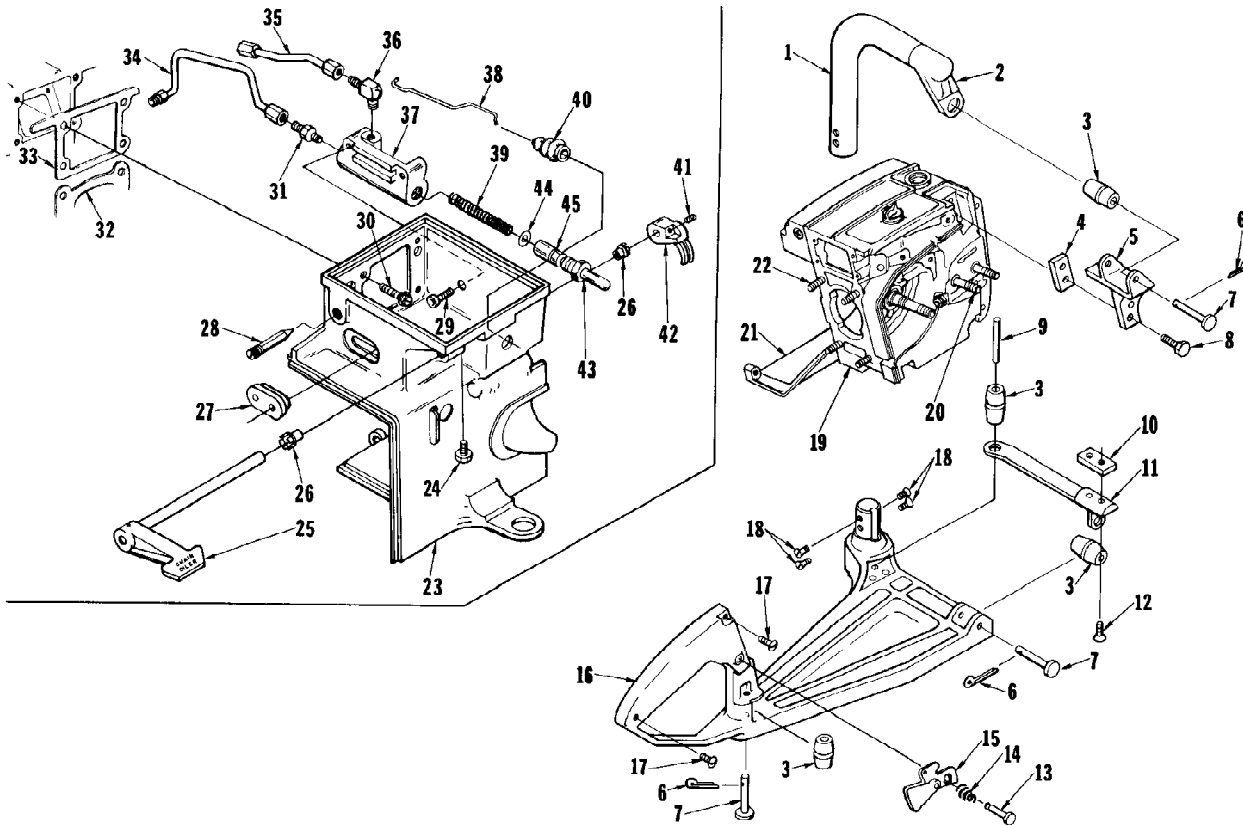
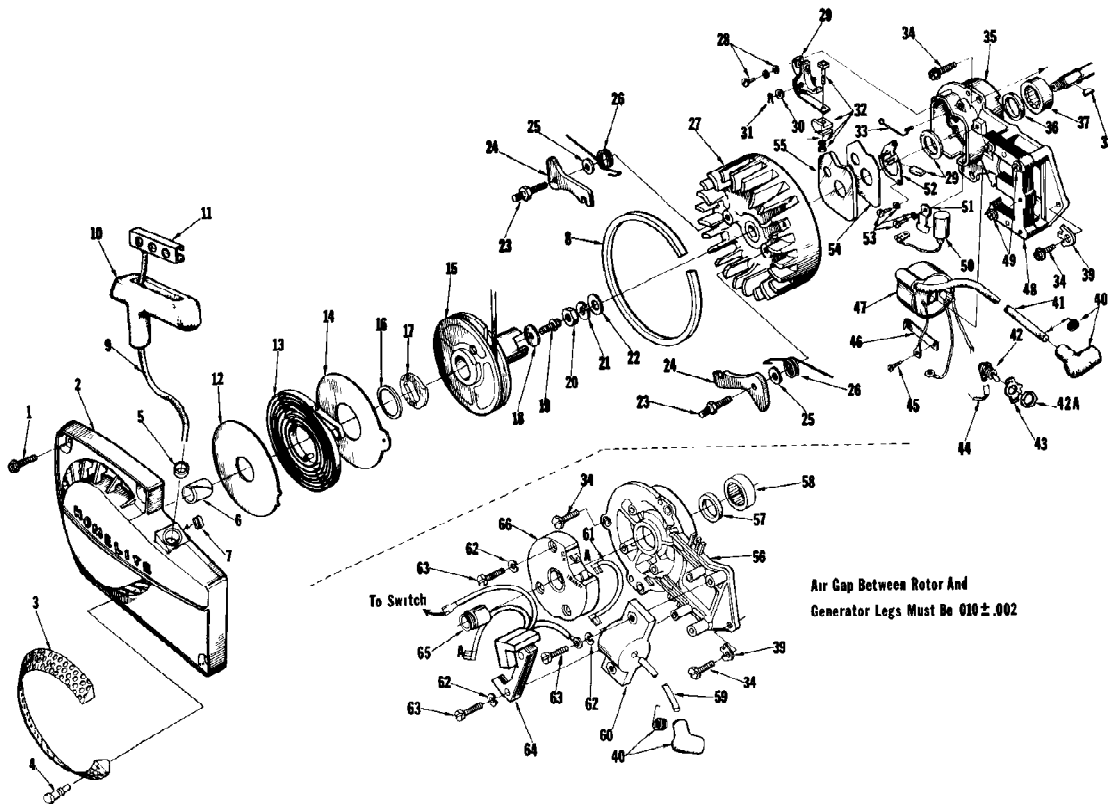


XL-923 FP



No.	Description	Part No.	Qty.	No.	Description	Part No.	Qty.
1	HANDLE BAR Includes:	A-67660-1B	1	23	CARBURETOR CHAMBER	A-68846	1
2	CONNECTOR-handle bar	A-68250	1	24	Includes: BUMPER	58298	1
3	MOUNT-vibration isolator	67868	4	25	LEVER-oiler w/shaft	A-63327	1
4	PLATE-handle bar bracket	65598	1	26	BUSHING-nylon	63400	2
5	BRACKET-handle bar	67650-2	1	27	GROMMET-"Hi-Lo"	58858	1
6	PIN-cotter	86317	3	28	SCREW-idle adjustment	63369-A	1
7	PIN-clevis	67651-1	3	29	SCREW-hex, 8-32 x 1/2	80983	2
8	SCREW-hex, 12-24 x 3/4	80867	2	30	SCREW-hex, 12-24 x 5/8	80676	4
9	PIN-dowel	67663	1	31	VALVE-check (outlet) Includes: SPRING (not shown)	A-59456-A 59022	1
10	PLATE-handle bar	65599	1		BALL	25527	1
11	BRACKET-isolation mount	67646-2	1	32	GASKET-cylinder	63778-1	1
12	SCREW-flat, 1/4-20 x 3/4	80053	2	33	GASKET-throttle handle	63779-B	1
13	PIN-throttle latch	65822	1	34	LINE-oil (discharge) Includes: SLEEVE (not shown)	A-63299 25301	1
14	SPRING-throttle latch	65714	1	35	LINE-oil (intake) Includes: SLEEVE (not shown)	A-63298 25301	1
15	TRIGGER-throttle	67648-2	1	36	VALVE-check (inlet) Includes: BALL	A-63432 25527	1
16	BASE-isolation mount Includes:	A-68067-A	1	37	BODY-oil pump	63343-2	1
17	SCREW-pan, 8-32 x 1/2	80560	2	38	ROD-throttle	67649	1
	BUSHING-nylon (not shown)	59064	1	39	SPRING-compression	59293	1
	BUSHING-throttle latch (not shown)	67752	1	40	BOOT-throttle rod	58348	1
18	SCREW-flat, 12-24 x 1/2	82186	4	41	SCREW-soc.sct, 8-32 x 1/4	80989	1
19	CRANKCASE & TANK Includes:	A-68845	1	42	ARM-oiler	63280-2A	1
20	BOLT-guide bar	67158	2	43	PLUNGER-oil pump Includes:	A-57834-14	1
	SCREW-flt, 8-32 x 3/8 (shown on Page 5)	82146	6	44	"O" RING-shaft	59074	1
	SCREW-flt, 8-32 x 2-3/16 (shown on Page 5)	82155	8	45	"O" RING-plunger	74388	1
21	COVER Includes:	67153-2	1				
	SCREW-flt, 8-32 x 1-3/4 (shown on Page 5)	82147	1				
	PIN-dowel (shown on Page 5)	63621	2				
	GASKET-fuel tank (shown on Page 5)	67159	1				
22	STUD	55871	4				
	SEAL-(shown on Page 5)	58688-A	1				
	SHIELD-sawdust (shown on Page 5)	A-64715	1				

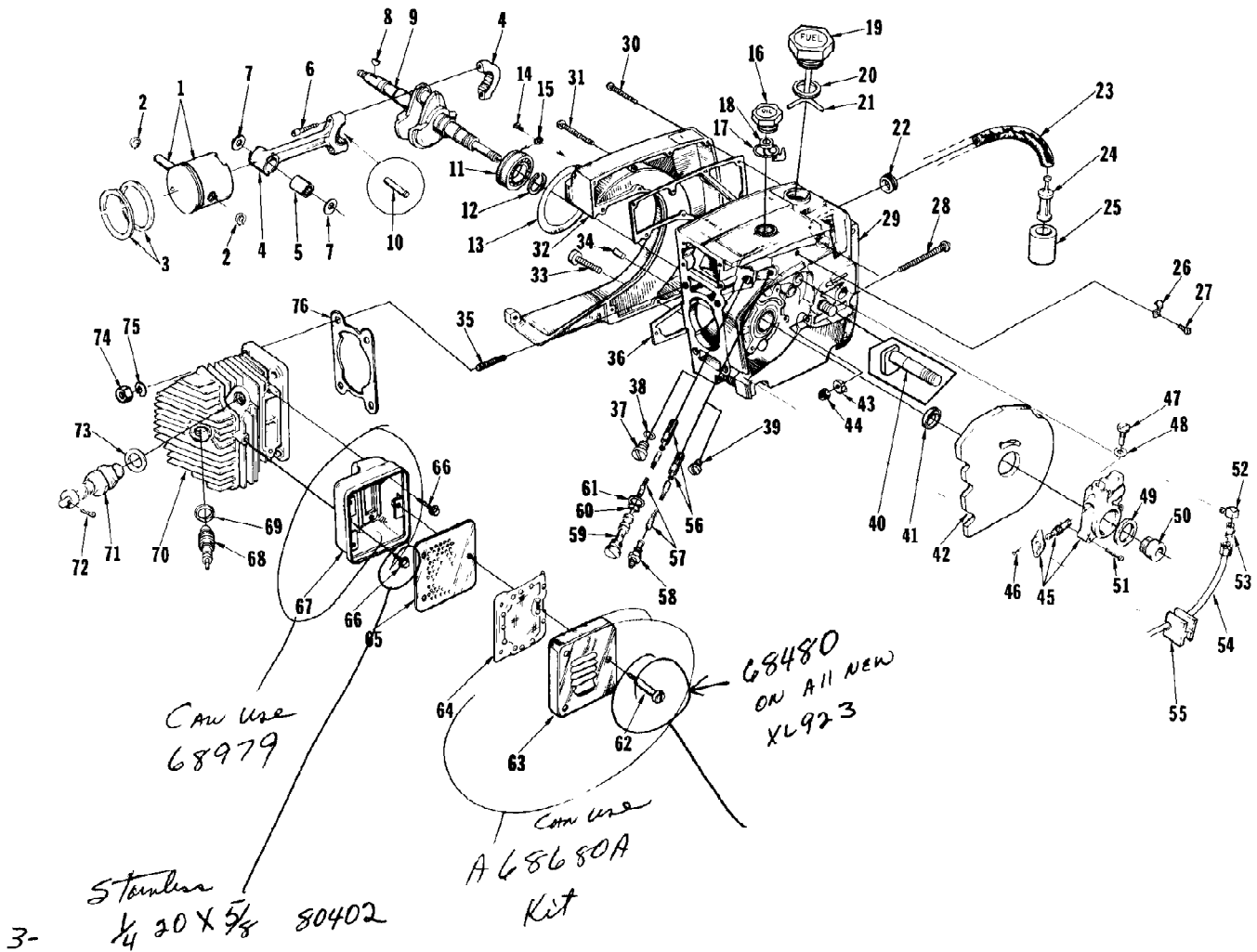
XL-921 XL-923 XL-924 XL-924W XL-923FP



No.	Description	Part No.	921	923	924	924W	923FP	Qty.	No.	Description	Part No.	921	923	924	924W	923FP	Qty.
1	SCREW-hex, 12-24 x 5/8	80076	x	x	x	x	x	4	34	SCREW-hex, 1/4-20 x 5/8	80048	x	x	x	x	x	4
2	HOUSING-fan Includes:	A-64504-B	x	x	x	x	x	1	35	PLATE-magneto back Includes:	A-68027	x	x				1
3	SCREEN-fan housing	A-64421	x	x	x	x	x	1	36	SEAL	58688-A	x	x				1
4	Includes: STUD	67191	x	x	x	x	x	11	37	BEARING-roller	63195	x	x				1
5	BUSHING-starter rope	67177	x	x	x	x	x	1	38	KEY-woodruff	75078	x	x	x	x	x	1
6	BUSHING-starter post	64443	x	x	x	x	x	1	39	WASHER-tab lock	67875-1	x	x	x	x	x	1
7	BUSHING-rewind spring	65830	x	x	x	x	x	1	40	TERMINAL-spark plug	A-33055	x	x	x	x	x	1
8	RING-air flow	67409	x	x	x	x	x	1	41	LEAD-high tension	63632	x	x				1
9	ROPE-starting	58806	x	x	x	x	x	1	42	SWITCH-toggle	A-57650-3	x	x	x	x	x	1
10	GRIP-starting rope	58915	x	x	x	x	x	1	42A	Includes: NUT	72084-A1	x	x	x	x	x	1
11	INSERT-rope retaining	58847	x	x	x	x	x	1	43	PLATE-indicating "On-Off"	72085-A	x	x	x	x	x	1
12	SHIELD-spring (inner)	63566	x	x	x	x	x	1	44	LEAD-ground	A-59031	x	x				1
13	SPRING-rewind	63268-A	x	x	x	x	x	1	45	SCREW-ground	64090	x	x				1
14	SHIELD-spring (outer)	63565-A	x	x	x	x	x	1	46	CLIP-coil retaining	63726	x	x				1
15	PULLEY-rewind starter Includes:	A-64446	x	x	x	x	x	1	47	COIL-ignition	63625	x	x				1
16	BUSHING-spring lock	64400	x	x	x	x	x	1	48	CORE-coil	63630	x	x				1
17	LOCK-rewind spring	64019-A	x	x	x	x	x	1	49	SCREW-coil core	64021	x	x				4
18	WASHER-retaining	58763	x	x	x	x	x	1	50	CONDENSER	63626	x	x				1
19	SCREW-hex, 10-32 x 1/2	80648	x	x	x	x	x	1	51	CLAMP-condenser	63827	x	x				1
20	NUT-hex, 3/8-24	81124	x	x	x	x	x	1	52	RETAINER-felt	63823	x	x				1
21	WASHER-lock, 3/8	83102	x	x	x	x	x	1	53	SCREW-contact plate	55411	x	x				3
22	WASHER-flat, 3/8	84010-1	x	x	x	x	x	1	54	GASKET-breaker box cover	63316	x	x				1
23	STUD-shoulder	58757-B	x	x	x	x	x	2	55	COVER-breaker box	63317	x	x				1
24	PAWL-starter	58756	x	x	x	x	x	2	56	PLATE-back Includes:	A-67618			x	x		1
25	WASHER	58851	x	x	x	x	x	2	57	SEAL	58688-A			x	x		1
26	SPRING-starter pawl	58758	x	x	x	x	x	2	58	BEARING-roller	63195			x	x		1
27	ROTOR-magneto	63406	x	x			x	1	59	LEAD-high tension	67166			x	x		1
	ROTOR-magneto	67165				x	x	1	60	COIL-transformer	67164			x	x		1
28	SCREW-contact plate	76421	x	x			x	1	61	LEAD-transformer	67167			x	x		1
29	POINTS-breaker Includes:	A-63631	x	x			x	1	62	WASHER-lock, #8	83022			x	x		7
	WASHER-point	28028			x		x	1	63	SCREW-pawl, 8-32 x 3/4	82178			x	x		7
	CLIP-post	28008			x		x	1	64	COIL-core and generator	67163			x	x		1
32	BLOCK-terminal	A-58934			x		x	1	65	CAP-dust	64002			x	x		1
33	SPRING-clip cover	76413			x		x	1	66	MODULE-ignition	67162			x	x		1

ALWAYS FURNISH MODEL AND SERIAL NUMBER WHEN ORDERING PARTS

XL-921 XL-923 XL-924 XL-924W XL-923FP



XL-921 XL-923 XL-924 XL-924W XL-923FP

No.	Description	Part No.	921	923	924	924W	923FP	Qty.	No.	Description	Part No.	921	923	924	924W	923FP	Qty.
1	PISTON & PIN	A-68033	x					1	45	PUMP-automatic oil	A-68265	x	x	x	x		1
	Includes:									Includes:							
2	RING-piston pin retaining	64742	x					2	46	SCREW-pan, 4-40 x 1/4	80919	x	x	x	x		2
3	PISTON RING	55038	x					2	47	SCREW-cam	64102-A	x	x	x	x		1
1	PISTON & PIN	A-67989-1	x	x	x	x		1	48	GASKET-cam screw	59736	x	x	x	x		1
	Includes:								49	SEAL-felt	59926	x	x	x	x		1
2	RING-piston pin retaining	64742		x	x	x	x	2	50	WORM-gear	59675	x	x	x	x		1
3	PISTON RING	68249		x	x	x	x	2	51	SCREW-fl, 8-32 x 3/4	80248		x	x	x	x	3
4	ROD-connecting	A-68008	x	x	x	x		1	52	CONNECTOR-elbow	31734	x	x	x	x		1
	Includes:								53	FITTING-tube	65696	x	x	x	x		1
5	BEARING-needle	59351	x	x	x	x	x	1	54	LINE-oil	A-65682		x	x	x		1
6	SCREW-soc, 8-32 x 9/16	80805	x	x	x	x	x	2	55	GROMMET-oil line	65357	x	x	x	x		1
7	WASHER-thrust	68010	x	x	x	x	x	2	56	FILTER-oil	A-64293	x					1
8	KEY-woodruff	75078	x	x	x	x	x	1	57	FILTER-oil	A-64293	x	x	x	x		2
9	CRANKSHAFT	67168	x					1		LINE-oil pick-up	83605	x					1
	CRANKSHAFT	67168-1		x	x	x	x	1		LINE-oil pick-up	59006		x	x	x	x	2
10	BEARING-needle (28 rollers)	A-64621	x	x	x	x	x	1	58	CONNECTOR-oil filter	65695	x	x	x	x		1
11	BEARING-ball	58190-S	x	x	x	x	x	1		CONNECTOR-oil filter	59937						1
12	RING-retaining	58319-A	x	x	x	x	x	1	59	TUBE-oil line	63452-A	x	x	x	x		1
13	"O" RING	67559	x	x	x	x	x	1	60	"O" RING	59406	x	x	x	x		1
14	SCREW-bearing retaining	59704	x	x	x	x	x	2	61	GASKET-oil line tube	63751	x	x	x	x		1
15	WASHER-lock	59705	x	x	x	x	x	2	62	SCREW-shoulder (Note 4)	63855-A	x	x	x	†	x	3
16	CAP-oil	A-65284-A	x	x	x	x	x	1		STUD-muffler (Note 3)	68874						3
	Includes:								63	CAP-muffler (Notes 2 & 4)	68680A 63520-3	x	x	x	†	x	1
17	"O" RING	65133	x	x	x	x	x	1		CAP-muffler (Note 3)	A-68911-1						1
	VALVE-check (not shown)	63718	x	x	x	x	x	1		NUT-hex, 10-32 flex (not shown)							
18	RETAINER	68750	x	x	x	x	x	1		Note 3	81109-2						3
19	CAP-fuel	A-65283-A	x	x	x	x	x	1	64	ARRESTOR-spark	A-63540-B	†	†	†	†	x	†
	Includes:								65	BAFFLE-muffler (Note 2)	63521-A	x	x	x	x		1
	VALVE-check (not shown)	63718	x	x	x	x	x	1		BAFFLE-muffler (924W only)	65633						1
20	GASKET	58927	x	x	x	x	x	1	66	SCREW-hex, 12-24 x 5/8	80978	x	x	x	x		3
21	RETAINER	68751	x	x	x	x	x	1	67	BODY-muffler (Note 2)	63535-2	x	x	x	x		1
22	GROMMET	68046	x	x	x	x	x	1	68	SPARK PLUG	63547-S	x	x	x	x		1
23	LINE-fuel flexible (Note 1)	68442	x	x	x	x	x	1	69	Includes: GASKET	26038	x	x	x	x		1
24	FILTER-fuel	A-59251	x	x	x	x	x	1	70	CYLINDER- (Note 3)							1
	Includes: FILTER-felt	59253-1	x	x	x	x	x	1		(no decompression valve)	A-68913-1						1
25	CLAMP-fuel line	65597-1	x	x	x	x	x	1		CYLINDER-2" bore	A-68294	x					1
26	SCREW-pan, 6-32 x 5/16	80605	x	x	x	x	x	1		CYLINDER-2-1/16" bore (Note 4)	A-68288A	x	x	x	x		1
27	SCREW-guide bar adjusting	63367	x	x	x	x	x	1		Includes:	A-68026						1
29	CRANKCASE & TANK (See Page 2)	A-68845						x	71	VALVE-decompression	68329	x	x	x	x		1
	CRANKCASE & TANK	A-68023	x	x	x	x		1	72	Includes: PIN-cotter	67321	x	x	x	x		1
	Includes:								73	WASHER-copper	81065-2	x	x	x	x		4
	GASKET-check valve (not shown)	65144	x	x	x	x		1	74	NUT-hex, 1/4-28	83009	x	x	x	x		4
	CAP-check valve (not shown)	65143	x	x	x	x		1	75	WASHER-lock, 1/4	63778-1	x	x	x	x		4
30	SCREW-fl, 8-32 x 5/8	82146	x	x	x	x	x	6	76	GASKET-cylinder							1
31	SCREW-fl, 8-32 x 2-3/16	82155	x	x	x	x	x	8									
32	COVER	67153-2	x	x	x	x	x	1									
33	SCREW-fl, 8-32 x 1-3/4	82147	x	x	x	x	x	1									
34	PIN-dowel	63621	x	x	x	x	x	2									
35	STUD	55871	x	x	x	x	x	4									
36	GASKET-fuel tank	67159	x	x	x	x	x	1									
37	CAP	63115	x	x	x	x	x	1									
38	WASHER	58138	x	x	x	x	x	1									
39	PLUG-pipe	28097	x	x	x	x	x	1									
40	BOLT-guide bar	67158	x	x	x	x	x	2									
41	SEAL	58688-A	x	x	x	x	x	1									
42	SHIELD-sawdust	A-64715	x	x	x	x	x	1									
43	PIN-guide bar adjusting	67586-1A	x	x	x	x	x	1									
44	NUT-flexloc, 1/4-20	81108	x	x	x	x	x	1									

† Optional

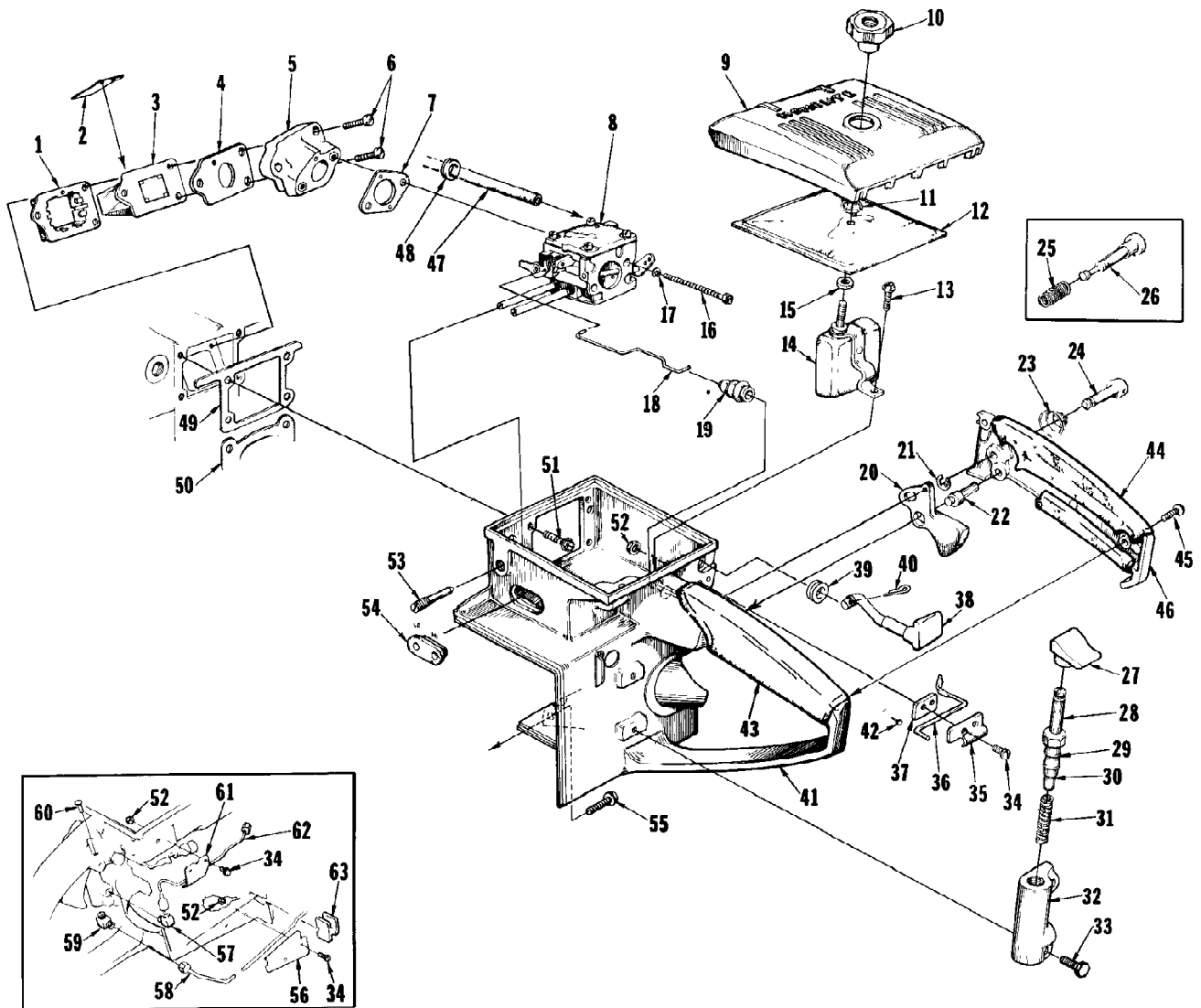
Note 1 - Units built with 2 piece fuel line will require A-68446 Fuel Line Kit, which includes 68046 Grommet and 68445 Bushing.

Note 2 - For units built with Reed Mufflers the following parts are still available: 67533-A Baffle, 68208 Stud, 67394 Reed and 67413-A Stop.

Note 3 - For XL-924W units above S/N 11461450.

Note 4 - For XL-924W units below S/N 11461450.

XL-921 XL-923 XL-924 XL-924W XL-923FP



XL-921 XL-923 XL-924 XL-924W XL-923FP

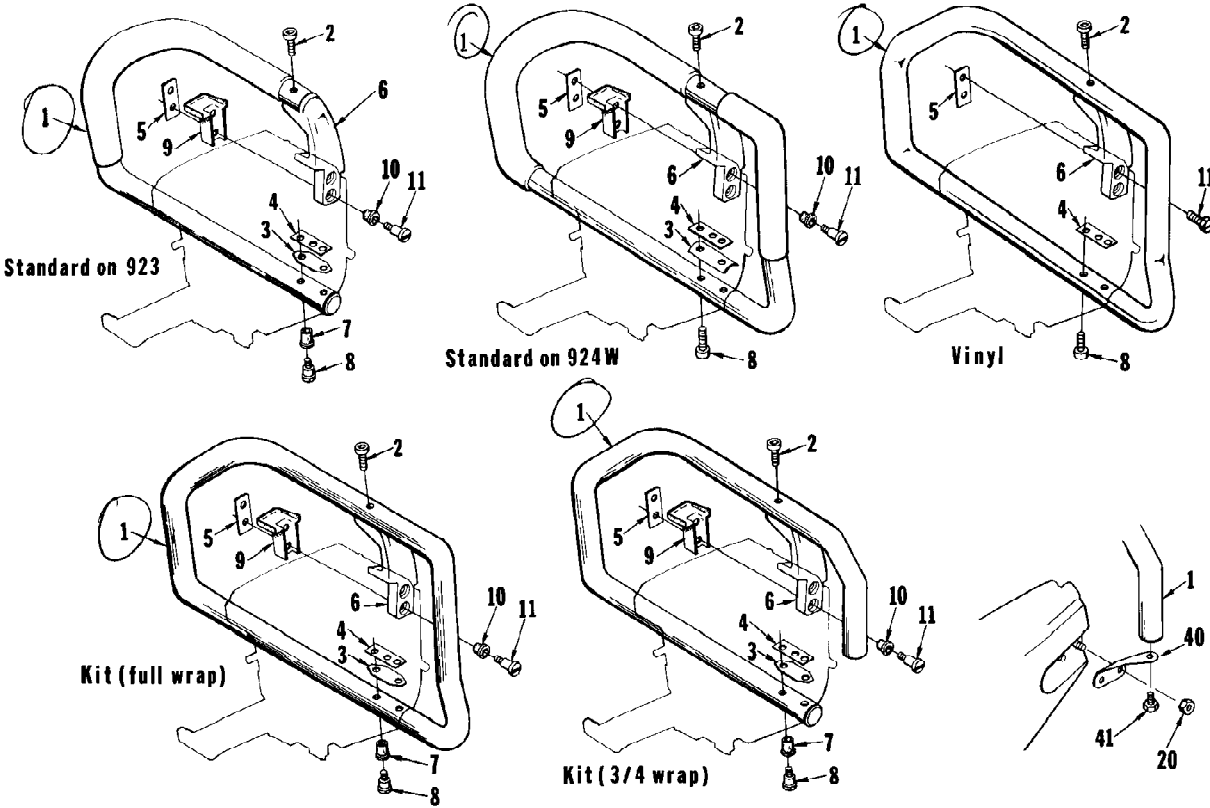
No.	Description	Part No.	921	923	924	924W	923FP	Qty.	No.	Description	Part No.	921	923	924	924W	923FP	Qty.
1	RETAINER-reed valve	63370-A	x	x	x	x	x	1	35	CLAMP-lever	65821-1	x	x				1
2	VALVE-reed	63166-A	x	x	x	x	x	4	36	LEVER-poppet valve	65630	x	x				1
3	SEAT-reed	63371-B	x	x	x	x	x	1	37	PLATE-lever	65629-1	x	x				1
4	GASKET-reed valve seat	65483	x	x	x	x	x	1	38	ROD-choke	A-68429	x	x	x	x		1
5	MANIFOLD-intake	A-67460-1	x	x	x	x	x	1	39	Includes GROMMET	64862	x	x	x	x		1
6	SCREW-pan, 8-32 x 1-1/8	82196	x	x	x	x	x	3	40	PIN-coller	86324	x	x	x	x		1
7	GASKET-carburetor	67540	x	x	x	x	x	1	41	HANDLE-throttle	A-68025-B	x	x	x	x		1
8	CARBURETOR-HS-103B	A-68251-A					x	1	Includes								
	CARBURETOR-HS-92D	A-67887-C	x	x	x		x	1	42	PLUG-accordion	65589	x	x	x			2
9	COVER-air filter element	63631-1	x	x	x	x	x	1	43	GRIP-throttle handle	68767	x	x	x			1
10	NUT-cover mounting	A-67619	x	x	x	x	x	1	44	GRIP-throttle handle cover	68768	x	x	x			1
11	RING-bearing retaining	58319-A	x	x	x	x	x	1	45	SCREW-pan, 8-32 x 1/2	80560	x	x	x			2
12	FILTER ELEMENT-air	61141	x	x	x	x	x	1	46	COVER-throttle handle (Note 1)	A-68806	x	x	x	x		1
13	SCREW-hex, 12-24 x 1/2	80821	x	x	x	x	x	1	Includes								
14	DEFLECTOR-air w/bracket	A-67101	x	x	x	x	x	1	BUSHING-nylon (not shown)	79064	x	x	x				1
	Includes								BUSHING-throttle latch								
15	GASKET-mounting nut	58392-1	x	x	x	x	x	1	(not shown) (Note 3)								
16	SCREW-hex, 10-32 x 1-7/8	82179	x	x	x	x	x	2	47	LINE-fuel (Note 1)	68412	x	x	x	x		1
17	WASHER-lock, #10	83046	x	x	x	x	x	2	48	GROMMET	68046	x	x	x	x		1
18	ROD-throttle	63266-A	x	x	x	x		1	49	GASKET-throttle handle	63779-B	x	x	x	x		1
	ROD-throttle	67649					x	1	50	GASKET-cylinder	63778-1	x	x	x	x		1
19	BOOT-throttle rod	58348	x	x	x	x	x	1	51	SCREW-hex, 12-24 x 5/8	80676	x	x	x	x		4
20	TRIGGER-throttle	65745	x	x	x	x		1	52	NUT-lock, 6-32	81126	x				x	1
21	RING-retaining (Note 3)	58409	x					1	NUT-lock, 6-32	81126	x	x					6
22	PIN-throttle latch adjusting	65719	x	x	x	x		1	NUT-lock, 6-32	81126							2
23	SPRING-throttle latch (Note 2)	65714	x	x	x	x		1	53	SCREW-idle adjustment	63369-A	x	x	x	x		1
24	PIN-throttle latch (Note 2)	65822	x	x	x	x		1	54	GROMMET-"Hi-Lo"	58858	x	x	x	x		1
25	SPRING-throttle latch (Note 3)	58105	x					1	55	SCREW-hex, 12-24 x 7/8	80891	x	x	x	x		1
26	PIN-throttle latch (Note 3)	58924-4	x					1	56	CLAMP-oil line	65513-1	x	x	x			1
27	BUTTON-oil pump plunger	63622	x	x	x	x		1	57	VALVE-check	A-65502	x	x	x	x		1
28	PLUNGER-oil pump	A-57834-16	x	x	x	x		1	Includes BALL	25527	x	x	x				1
	PLUNGER-oil pump	A-57834-14					x	1	LINE-oil	A-65682	x	x	x				1
	Includes								LINE-oil	A-63299							1
29	"O" RING-shaft	59074	x	x	x	x		1	Includes SLEEVE	25301							2
30	"O" RING-plunger	74388	x	x	x	x		1	59	VALVE-check	A-65515	x	x	x			1
31	SPRING-compression	59293	x	x	x	x		1	Includes SPRING	59022	x	x	x				1
32	BODY-oil pump	63343-5	x	x	x	x		1	BALL	25527	x	x	x				1
	BODY-oil pump	63343-2					x	1	60	SCREW-flt, 8-32 x 5/8	80023-2	x	x	x			1
JJ	SCREW-hex, 8-32 x 7/8	80568	x	x	x			2	61	CLAMP-oil line	65660-1	x	x	x			1
	SCREW-hex, 8-32 x 1/2	80983						2	62	LINE-oil	A-65705	x	x	x			1
J4	SCREW-pan, 6-32 x 3/8	80571	x					4	63	GROMMET-oil line	65357	x	x	x	x		1
	SCREW-pan, 6-32 x 3/8	80571	x	x				6									
	SCREW-pan, 6-32 x 3/8	80571					x	2									

Note 1 - For units without Rubber Grips use A-65882-A Cover.

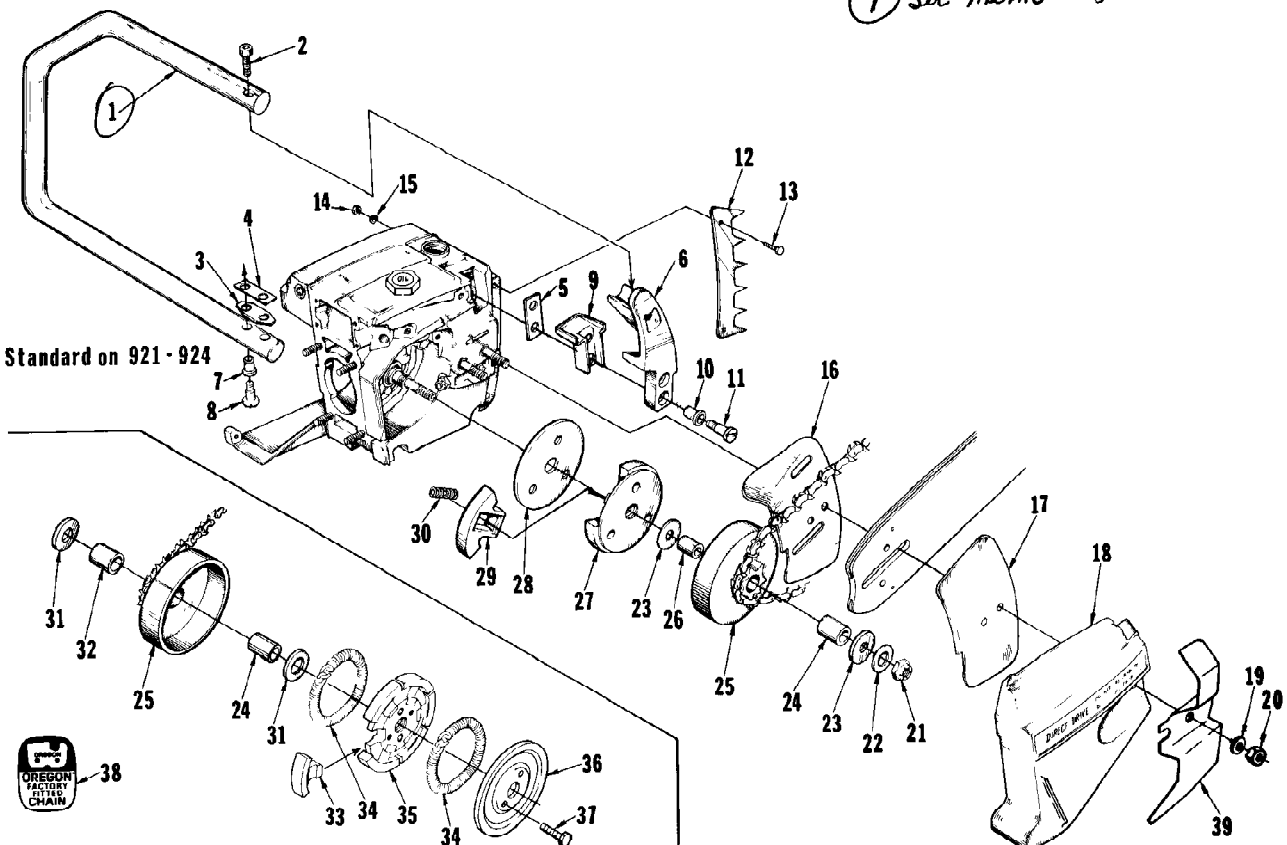
Note 2 - For XL-924W units below S/N 11461450.

Note 3 - For XL-924W units above S/N 11461450.

XL-921 XL-923 XL-924 XL-924W XL-923FP



① Ser Memo 806 CS



XL-921 XL-923 XL-924 XL-924W XL-923FP

No.	Description	Part No.	921	923	924	924W	923FP	Qty.	No.	Description	Part No.	921	923	924	924W	923FP	Qty.
Standard on XL-921 and XL-924 (Note 4)									Standard on XL-923								
1	HANDLE BAR-flush (vinyl coated)	A-65860-1	x	†	x			1	1	HANDLE BAR-flush (rubber covered) (Note 3)	A-68762-2	†	x	†	†		1
2	SCREW-soc., 1/4-20 x 1	80428	x	x	x			1	2	SCREW-soc., 1/4-20 x 1	80428	x	x	x	x		1
3	SPACER-handle bar	65542	x	†	x			1	3	SPACER-handle bar	68785	†	x	†	†		1
4	PLATE-handle bar	65599	x	x	x			1	4	PLATE-handle bar	65599	x	x	x	x		1
5	PLATE-handle bar bracket	65598	x	x	x			1	5	PLATE-handle bar bracket	65598	x	x	x	x		1
6	BRACKET-handle bar	65607-3	x	†	x			1	6	BRACKET-handle bar	68766-2	†	x	†	†		1
7	GROMMET-handle bar	65518	x	x	x			2	7	GROMMET-handle bar	65518	x	x	x	†		2
8	SCREW-shoulder	65520	x	x	x			2	8	SCREW-shoulder	65520	x	x	x	†		2
9	MOUNT-shock	65509	x	x	x			1	9	MOUNT-shock	65509	x	x	x	x		1
10	GROMMET	65519	x	x	x			2	10	GROMMET	65519	x	x	x	x		2
11	SCREW-shoulder	65521	x	x	x			2	11	SCREW-shoulder	65521	x	x	x	x		2
Standard on XL-924W									Standard on XL-924W								
12	KIT-spiked bumper	A-68769					x	1	* 1	HANDLE BAR-full wrap (rubber covered) (Note 5)	A-68899-1	†	†	†	x		1
	KIT-spiked bumper Includes:	A-63720	x	x	x		x	1	2	SCREW-soc., 1/4-20 x 1	80428	x	x	x	x		1
13	SCREW-hex, 12-24 x 3/4	80867	x	x	x	x	x	2	* 3	SPACER-handle bar	68988-1	†	†	†	x		1
14	NUT-12-24	81068	x	x	x	x	x	2	4	PLATE-handle bar	65599	x	x	x	x		1
15	WASHER-lock, #12	83056	x	x	x	x	x	2	5	PLATE-handle bar bracket	65598	x	x	x	x		1
16	PLATE-guide bar (inner)	67160	x	x	x	x	x	1	6	BRACKET-handle bar	68766-4	†	†	†	x		1
17	PLATE-guide bar (outer)	67161	x	x	x	x	x	1	8	SCREW-soc., 1/4-20 x 1-1/8	80954	†	†	†	x		2
18	COVER-drivecasc	67156-3	x	x	x	x	x	1	9	MOUNT-shock	65509	x	x	x	x		1
19	WASHER-flat, 5/16	84032					x	2	10	GROMMET	65519	x	x	x	x		2
20	NUT-hex, 3/8-16	81089-2	x	x	x	x	x	2	11	SCREW-shoulder	65521	x	x	x	x		2
	NUT-hex, 5/16-18	81196					x	2	39	GUARD-chain	68078-1	†	†	†	x		1
21	NUT-flexlock, 3/8-24	81192	x					1	1	HANDLE BAR-wrap around (vinyl coated) (Note 6)	A-67628-3	†	†	†			1
22	WASHER-flat, 3/8	84010-1	x					1	2	SCREW-soc., 1/4-20 x 1	80428	x	x	x			1
23	WASHER-thrust (Note 1)	58833	x					2	4	PLATE-handle bar	65599	x	x	x			1
24	BEARING-roller	61124	x	x	x	x	x	1	5	PLATE-handle bar bracket	65598	x	x	x			1
25	DRUM & HUB-rim type	A-65989	x					1	6	BRACKET-handle bar	63011-5	†	†	†	x		1
	DRUM & HUB-rim type	A-65990		x	x	x		1	8	SCREW-soc., 1/4-20 x 1	80428	†	†	†			2
	SPROCKET-3/8 pitch, 7 tooth (rim type)	OM-68210	x	x	x	x		1	11	SCREW-hex, 12-24 x 3/4	80867	†	†	†			2
	.404 pitch, 7 tooth (rim type)	OM-10513	†	†	†	†		1	39	GUARD-chain	68078-1	†	†	†	x		1
	SPROCKET & DRUM 3/8 pitch, 8 tooth	A-65885	†	†	†	†		1	KIT-handle bar (full wrap around) (Includes index # 1, 6 & 39)								
	SPROCKET & DRUM .404 pitch, 7 tooth	A-65886	†	†	†	†		1	1	HANDLE BAR	A-65894	†	†	†			1
	SPROCKET & DRUM .404 pitch, 8 tooth	A-65887	†	†	†	†		1	2	SCREW-soc., 1/4-20 x 1	A-65814-2	†	†	†			1
	SPROCKET & DRUM 3/8 pitch, 7 tooth	A-65894	†	†	†	†		1	3	SPACER-handle bar	80428	x	x	x			1
	SPROCKET & DRUM .404 pitch, 7 tooth	A-65727					†	1	4	PLATE-handle bar	65542	x	†	x	†		1
	SPROCKET & DRUM .404 pitch, 8 tooth	A-65728					†	1	5	PLATE-handle bar bracket	65599	x	x	x			1
	SPROCKET & DRUM 3/8 pitch, 7 tooth	A-65731					†	1	6	BRACKET-handle bar	65607-5	†	†	†	†		1
	SPROCKET & DRUM 3/8 pitch, 8 tooth	A-65732					x	1	7	GROMMET-handle bar	65518	x	x	x			2
26	RACE-inner	65746	x					1	8	SCREW-shoulder	65520	x	x	x			2
27	PLATE-clutch	63053-1	x					1	9	MOUNT-shock	65509	x	x	x			1
28	COVER-clutch	63051	x					1	10	GROMMET	65519	x	x	x			2
29	SHOE-clutch	64569	x					3	11	SCREW-shoulder	65521	x	x	x			2
30	SPRING-clutch	65842	x					3	39	GUARD-chain	64887-1	†	†	†			1
31	WASHER-thrust (Note 2)	63462		x	x	x		2	KIT-handle bar (3/4 wrap around) (Includes index # 1, 6, 40 & 41)								
	WASHER-thrust	63462					x	1	1	HANDLE BAR	A-65902	†	†	†	†		1
	WASHER-thrust	63463					x	1	2	SCREW-1/4-20 x 1	80428	x	x	x			1
32	RACE-inner	64129	x	x	x	x		1	3	SPACER-handle bar	65542	x	†	x	†		1
33	SHOE-clutch	67896-1	x	x	x	x	6		4	PLATE-handle bar	65599	x	x	x			1
34	SPRING-clutch	67441	x	x	x	x	2		5	PLATE-handle bar bracket	65598	x	x	x			1
35	SPIDER-clutch	65723-2	x	x	x	x	1		6	BRACKET-handle bar	65607-5	†	†	†	†		1
36	COVER-clutch	58751-1	x	x	x	x	1		7	GROMMET-handle bar	65518	x	x	x	†		2
37	SCREW-hex, 10-32 x 1/2	80361-1	x	x	x	x	2		8	SCREW-shoulder	65520	x	x	x			2
38	LABEL-chain (Oregon)	68119	x	x	x	x	1		9	MOUNT-shock	65509	x	x	x	x		1
39	GUARD-chain	68078-1	†	†	†	x		1	10	GROMMET	65519	x	x	x	x		2
40	BRACE-handle bar	63660	†	†	†	†		1	11	SCREW-shoulder	65521	x	x	x	x		2
41	SCREW-hex, 12-24 x 3/4	80867	†	†	†	†		1	40	BRACE-handle bar	63660	†	†	†	†		1
									41	SCREW-hex, 12-24 x 3/4	80867	†	†	†	†		1

Handle Bars must be used in groups as indicated above.

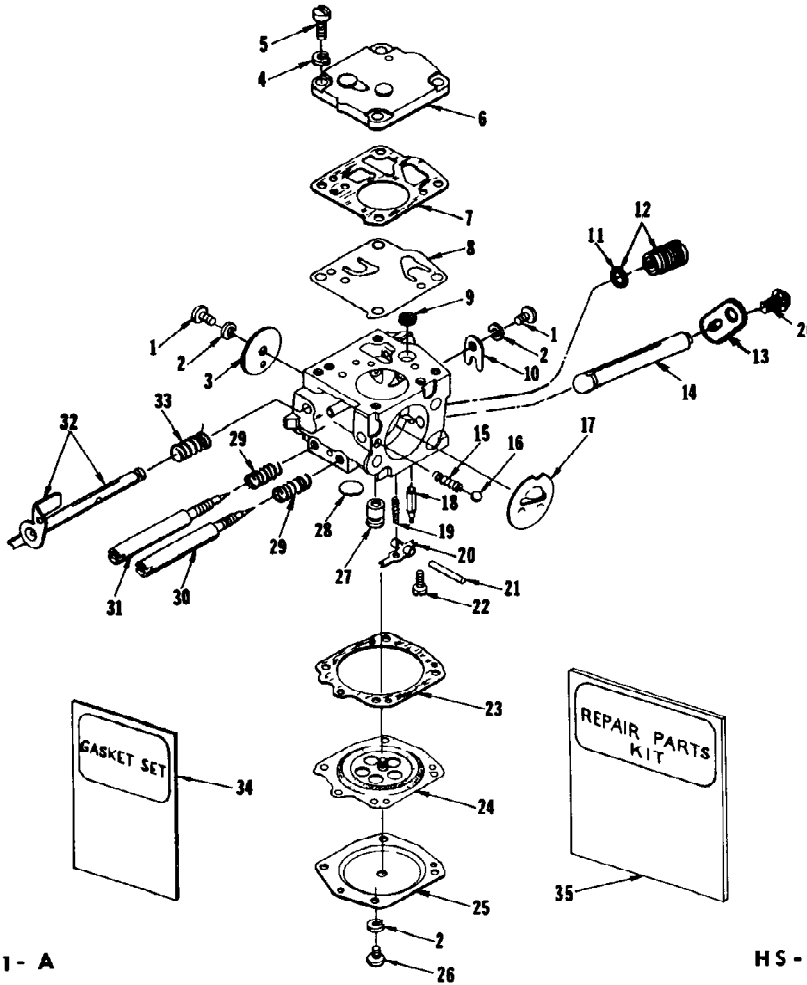
Note 1 - When using optional Sprocket & Drums, you must use one # 58926 Thrust Washer (outer).
 Note 2 - When using optional Sprocket & Drums, you must use one # 63463 Thrust Washer (inner).

Note 3 - Units above S/N 3436419
 Note 4 - XL-923 units below S/N 3436419
 Note 5 - XL-924W units above S/N 11461450
 Note 6 - XL-924W units below S/N 11461450

† Optional * Denotes new parts

ALWAYS FURNISH MODEL AND SERIAL NUMBER WHEN ORDERING PARTS

XL-921 XL-923 XL-924 XL-924W XL-923FP



924 W only
HS-103B A 68251-A

HS-92D A 67887-C

Part No.	Description	Part No.	Qty.
----------	-------------	----------	------

XL-921 XL-923 XL-924 XL-924W XL-923FP

<u>Tools</u>	921	923	924	924W	923FP
23846-2 ANVIL-bearing remover (backplate)	x	x	x	x	x
23846-1 ANVIL-crankshaft installation	x	x	x	x	x
24304 BIT-pozidriv #2	x	x	x	x	x
23136-2 BODY-assembling fixture	x				
22820-3 COLLAR-bearing assembling	x				
22820-4 COLLAR-bearing installation		x	x	x	x
24230 DRIVER-hand pozidriv	x	x	x	x	x
A-23137 JACKSCREW (crankshaft)	x				
A-23965 JACKSCREW (crankshaft)		x	x	x	x
A-23962 JACKSCREW-bearing remover (backplate)	x	x	x	x	x
24006-1 PLATE-shaft aligning	x	x	x	x	x
23956 PLUG-bearing and seal installation (backplate)	x	x	x	x	x
23420 PLUG-bearing installation		x	x	x	x
23955 PLUG-bearing installation (conn.rod)	x	x	x	x	x
24302 PLUG-seal installation (backplate)			x	x	
23957 PLUG-seal installation (crankcase)	x	x	x	x	x
A-23960 PULLER-rotor	x	x	x	x	x
24306 SHIM- (black) air gap			x	x	
23987 SHIM-magneto air gap	x	x			x
23136-1 SLEEVE-bearing and shaft installation		x	x	x	x
23972 SLEEVE-seal installation (crankcase)	x	x	x	x	x
23759 SLEEVE-seal protecting (crankcase)	x				
23971 SLEEVE-seal protecting (crankcase)		x	x	x	x
24094 SPARK PLUG-removal				x	
A-22808 WRENCH-combination				x	
A-23937-B WRENCH-combination	x	x	x		x
23528 WRENCH-socket screw (conn.rod)	x	x	x	x	x
A-23934 WRENCH-spanner (clutch)	x				
A-23696-A WRENCH-spanner		x	x	x	x

Accessories

A-24279	KIT-fastening parts
A-24270	KIT-filter
A-24413	KIT-guide bar plate
A-24274	KIT-ignition (XL-921, XL-923)
23488-B	KIT-Loctite
A-24266	KIT-starting rope
A-68079	KIT-West Coast Conversion (XL-923, XL-924)
57084-1	REEL-250 ft., Starting Rope

Paint

22772	SPRAY CAN-black
24453	SPRAY CAN-blue "70"
23475	SPRAY CAN-red

