



PART NO. 24923 - Rev. 3

Printed in U.S.A.

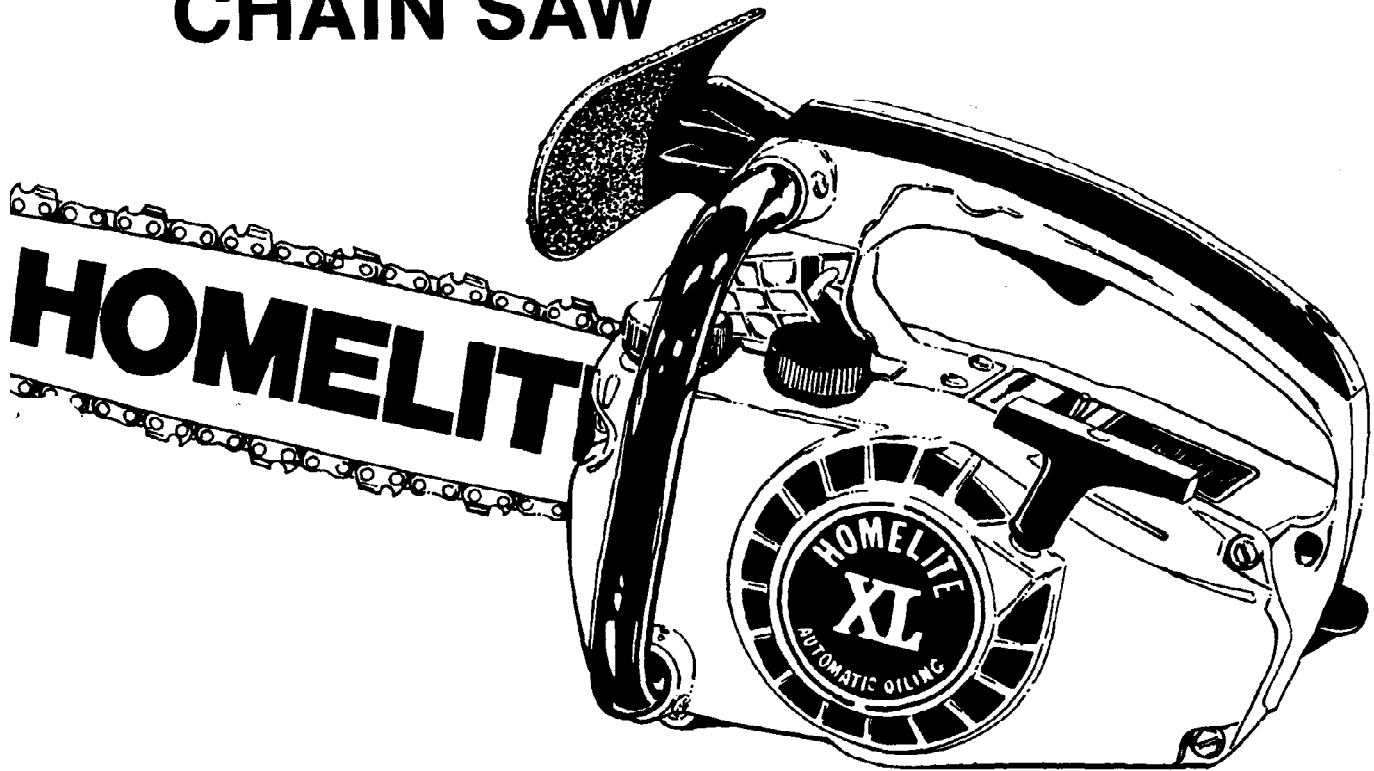
Price 35¢

PARTS LIST

HOMELITE®

XL® AUTOMATIC OILING

CHAIN SAW



MAGNESIUM HOUSING

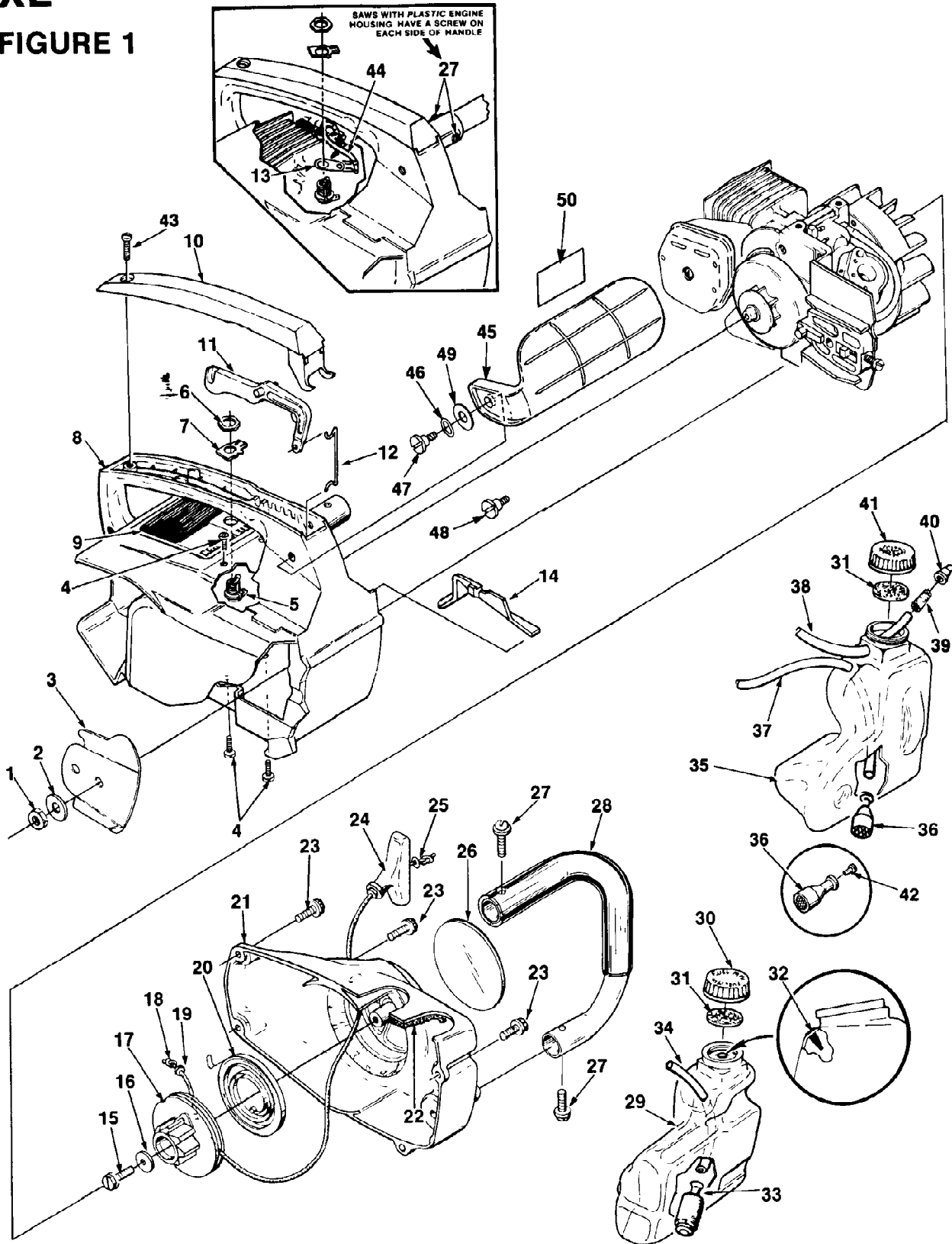
PLASTIC HOUSING

HOMELITE **TEXTRON**

Homelite Division of Textron Inc.

XL

FIGURE 1



XL

FIGURE 1

No.	Description	Part No.	XL - Mag. HG.		Qty.	No.	Description	Part No.	XL - Mag. HG.		Qty.
			XL	Pl. Hg.					XL	Pl. Hg.	
1	NUT- Guide bar 1/4-28	81065-2	x	x	1	35	TANK- Oil	A-70898-A	x	x	1
2	WASHER- Flat	69309-A	x	x	1		Includes:				
3	PLATE- Guide bar	69360-1	x	x	1	36	FILTER- Oil				
4	SCREW- Pan hd. (10-24 x 1/2)	96620	x	x	4		(pressurized oiler only)	A-78889	x	x	1
5	SWITCH- Stop (Note 1)	93653			1		FILTER- Oil				
	SWITCH- Stop (grounding)	A-63938	x		1		(diaphragm oiler only)	A-68593	x	x	1
	Includes:					37	LINE- Oil (note 4) 6"	70309-24	x	x	1
6	NUT- Hex	72084-A1	x	x	1	38	LINE- Pressure (note 5)	A-69358-B	x	x	1
7	PLATE- "On-Off"	70834	x	x	1		Includes:				
8	HOUSING- Engine	A-69944-D	x		1	39	CONNECTOR- Oil	69659-B	x	x	1
	HOUSING- Engine	A-95683	x		1	40	VALVE- Check (Duck bill)	69451	x	x	1
	Includes:					41	CAP- Tank (oil)				
9	PLATE- Starting instruction	70835	x	x	1		(Black) (See note 2)	A-97359	x	x	1
10	COVER- Handle	69872-A	x	x	1		Includes:				
11	TRIGGER- Front	69874-B	x	x	1		GASKET- Filler cap				
12	ROD- Throttle (Front)	69255-C	x	x	1		(See #31) (Note 3)	94494	x	x	1
13	STRAP- Ground	96417	x		1	42	PLUG- (pressurized oiler only)	93703-B	x	x	1
14	COVER- Air filter	69263-1	x	x	1	43	SCREW- Pan hd. (10 x 5/8)	82312	x		1
15	SCREW- Hex washer hd. (10-32 x 5/8)	80704	x		1		SCREW- Pan washer hd. (10-32 x 5/8)	82239	x		1
	SCREW- (10 x .750)					44	LEAD- Ground switch	A-93717		x	1
	(See note 8) & (note 9)	70771			1	45	GUARD- Hand (Note 7)	A-70796-C	x	x	1
16	WASHER- Flat	94062	x	x	1		Includes:				
17	PULLEY- Starter	69158-A	x	x	1	46	WASHER- Curved spring	95694	x	x	1
18	ROPE- Starter #4, 34" long	A-93874-A	x	x	1	47	SCREW- Shoulder (10-32 self-tapping)	95713	x		1
	Includes:					48	SCREW- Shoulder (#10 thd. form x .560)	95714		x	1
19	WASHER- Nylon	93862	x	x	1	49	WASHER- Flat	96102	x	x	1
20	SPRING- Rewind	69217	x		1	50	DECAL	96990	x	x	1
	SPRING- Rewind (after lot #0003)	A-95233	x		1						
21	HOUSING- Rewind starter	A-69540	x		1						
	HOUSING- Rewind starter	A-94241	x		1						
22	FILTER- Fuel tank valve	69443	x	x	1						
23	SCREW- Hex 10-32 x 5/8	80704	x		4						
	SCREW- (10 x .750)										
	(See note 8) & (note 9)	70771			4						
24	GRIP- Starter rope	70211	x	x	1						
25	WASHER- Flat	84025	x	x	1						
26	DECAL- XL	69887	x	x	1						
27	SCREW- Pan washer hd. (10-32 x 5/8)	82239	x		2						
	SCREW- Pan hd. #8 x 1/2 (note 6)	94065	x		4						
28	HANDLE BAR	A-70219-A	x		1						
	HANDLE BAR	94508	x		1						
29	TANK- Fuel	A-70899-B	x	x	1						
	Includes:										
30	CAP- Tank fuel (red) (Note 2)	A-97228	x	x	1						
	Includes:										
31	GASKET- Fuel filler cap (Note 3)	94494	x	x	1						
32	VALVE- Check (Duck bill)	69451	x	x	1						
33	FILTER- Fuel	96639	x	x	1						
34	LINE- Fuel 7 1/4"	70310-29	x	x	1						

NOTE 1: 93653 switch does not include 72084-A1 nut.

NOTE 2: Tanks with internal threads require A-70445 fuel cap and A-70446 oil cap. If internal threads in tank are worn, order new external threaded tank.

NOTE 3: Use 69585 gasket for caps with external threads.

NOTE 4: Units with pressurized oil system use 70309-31 tubing for replacements of index #37.

NOTE 5: Units with pressurized oil system use 70309-08 tubing for replacement of index #38.

NOTE 6: Units with plastic housings requires a screw in each side of handle (see inset).

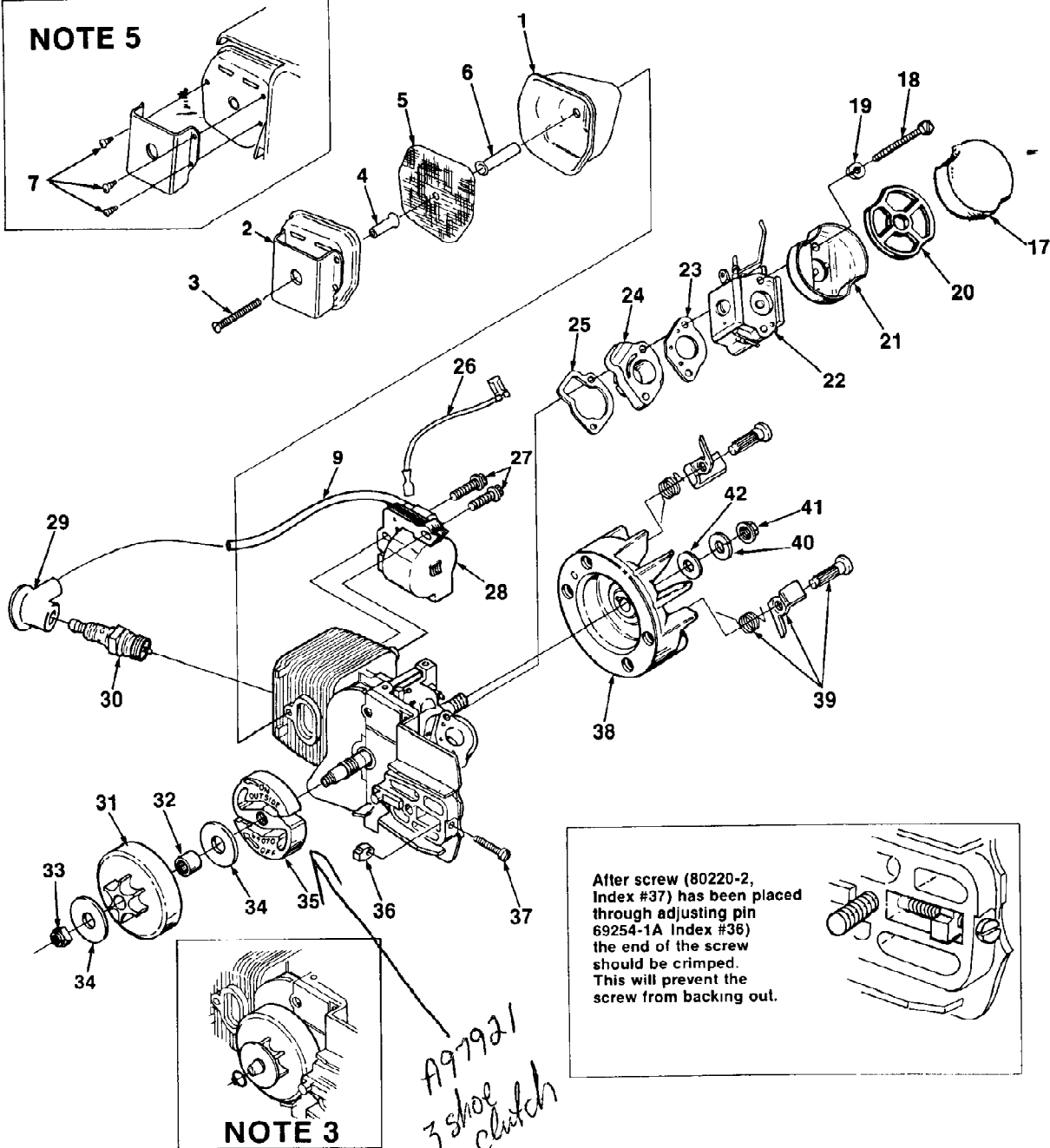
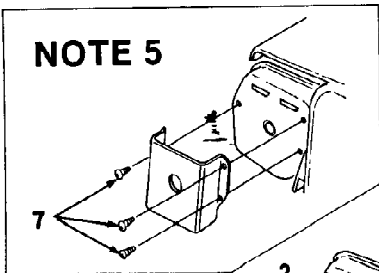
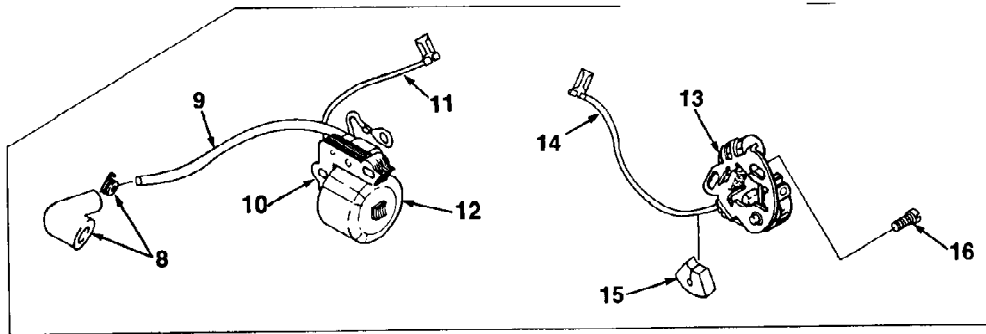
NOTE 7: For units with steel hand guard require 70728 Belleville washer, 70748 spacer, 80572 screw 10-32 x 5/8 (Mag. Hsg) or 82312 screw for plastic housing.

NOTE 8: If screw is stripped out of starter housing, replace all four screws with 94565.

NOTE 9: If pulley binds on starter housing when 70771 screw is tightened, use 65144 washer as a shim.

XL

FIGURE 2



XL

FIGURE 2

<u>No.</u>	<u>Description</u>	<u>Part No.</u>	<u>Qty.</u>	<u>No.</u>	<u>Description</u>	<u>Part No.</u>	<u>Qty.</u>
	MUFFLER- Complete	A-94051-B	1	30	SPARK PLUG- Champion DJ-7J	68616-S	1
	Includes:			31	SPROCKET & DRUM (Standard)		
1	BODY- Muffler	93986	1		(6t 37 & 375 chain)	A-95653-A	1
2	CAP- Muffler (W/shield)	A-95428	1		SPROCKET & DRUM (Early models)		
	SPARK ARRESTOR	A-94139	1		(9t 25 pitch)	A-69587-A	1
	Includes				Includes		
3	SCREW	82320	1	32	BEARING- Needle	68512	1
4	SPACER (Short)	93989	1	33	NUT- Locking (5/16-24) (Note 3)	81112	1
5	SCREEN- Spark arrestor	D-93991	1	34	WASHER- Thrust (Clutch)	95299	2
6	SPACER (Long)	93990	1	35	CLUTCH- "S"	A-70351-A	1
7	SCREW- #4 x .250 (note 5)	82342	3	36	PIN- Adjusting (See insert)	69254-1A	1
8	TERMINAL- Spark plug	A-33055	1	37	SCREW- Adjusting (Fil hd 8-32 x 1)		
9	LEAD- High tension (Note 1)	69326	1		(See insert)	80220-2	1
10	CORE- Coil (Point ignition)	69324	1	38	ROTOR & STARTER PAWL		
11	LEAD- Stop switch (point ignition)	A-95051	1		(Solid State) (Phelon)	A-95007	1
12	COIL- Ignition (Point ignition)	69323	1		ROTOR & STARTER PAWL		
	RETAINER- Coil (Point ignition)				(Point ignition) (Phelon)	A-69297-C	1
	(Not shown)	69325	1		Includes		
13	POINT SET- Breaker (Point ignition)	A-69336	1	39	KIT- Starter pawl (Note 4)	A-70285-D	1
	Includes			40	WASHER- Lock	83002	1
14	LEAD- Electrical	70249	1	41	NUT- Rotor 5/16-24	81117	1
15	SEAL- Lead (Point ignition)	69247	1	42	WASHER- Flat	84065	1
16	SCREW- Point set (Point ignition)	88026	2				
17	FILTER- Air	69141	1				
18	SCREW- Hex hd (10-32 x 2 1/4)	80481	2				
19	WASHER- Lock #10	83006	2				
20	RETAINER- Air filter	69457	1				
21	CUP- Air filter	69148	1				
22	CARBURETOR- HDC-65 (Walbro)	A-94649-A	1				
	CARBURETOR- ZAMA (C2S-h5)	A-96481	1				
23	GASKET- Carburetor	65016	1				
24	MANIFOLD- Intake	A-69373-B	1				
25	GASKET- Intake manifold	69143	1				
26	LEAD- Ground (Solid state)	A-94721	1				
27	SCREW- Hex washer (8-32 x 3/4)	82248	2				
28	MODULE- Ignition (Solid State)	94711	1				
	MODULE- Ignition (Alternate source)	94711-1	1				
	Includes						
	LEAD- High tension						
	(See index #9)	69326	1				
29	TERMINAL- Spark plug						
	(Solid State) (Note 2)		1				

NOTE 1: For solid state ignition cut wire to 6 1/2".

NOTE 2: Use A-33055 for service replacement.

NOTE 3: Retaining ring, 93972 must never be reused once it has been removed. 93972 is required for crankshaft without threaded clutch ends.

NOTE 4: Replacements starter pawl kit, item #39 includes an oversized pin. Paint, stamp or mark to identify oversized pin when installing. Oversized pin can be installed tightly only once. If oversized pin is removed, the entire rotor assembly must be replaced.

NOTE 5: Units with separate shield requires index #7 screws. All new muffler caps A-95428 includes a shield welded to cap.

XL

FIGURE 3

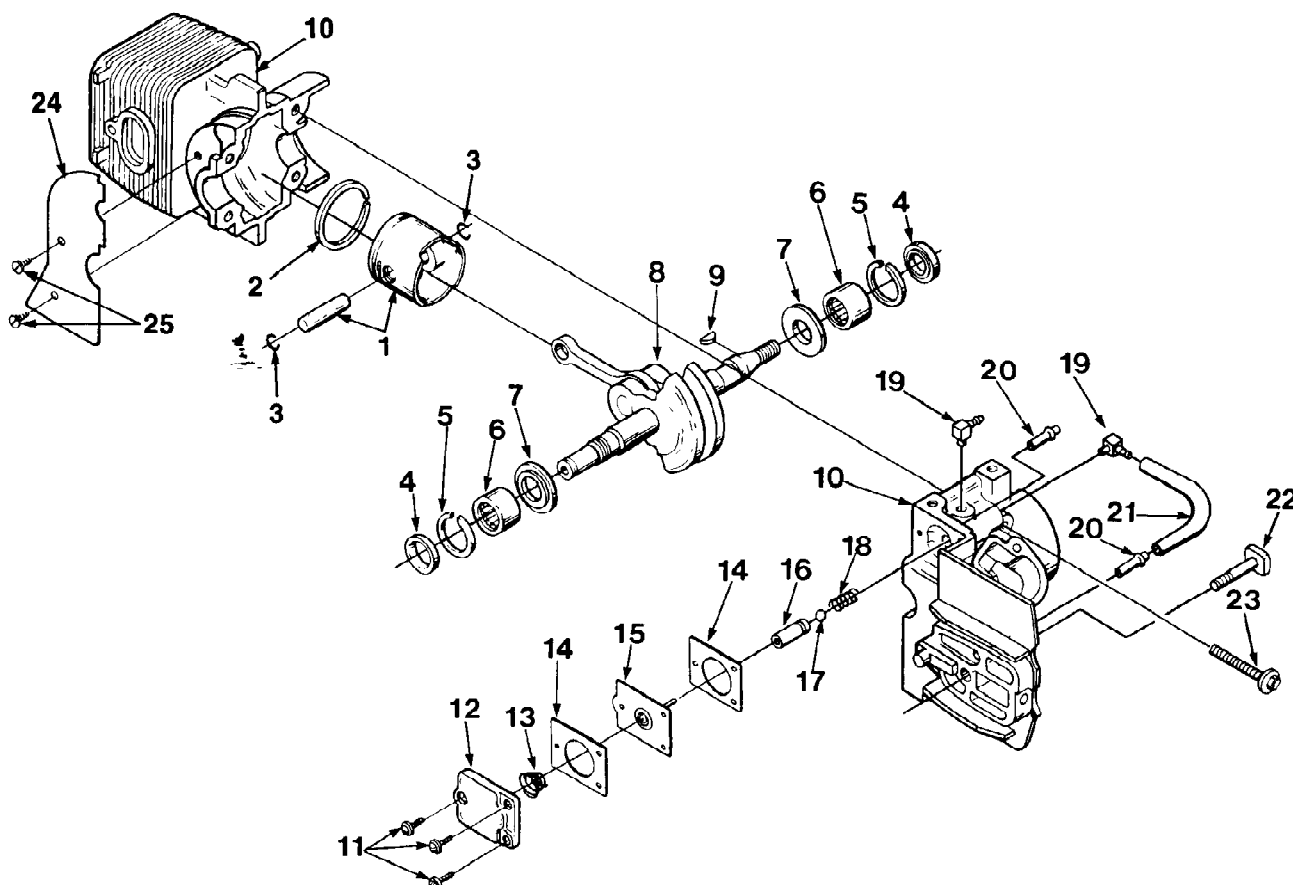


FIGURE 3

No.	Description	Part No.	Qty.	No.	Description	Part No.	Qty.
1	PISTON & PIN	A-69393	1		Includes		
	Includes			11	SCREW- Pan hd (6-32 x 3/8)	80571	3
2	PISTON RING (Note 1)	69312	1	12	COVER- Oil pump	69224-1C	1
3	RING- Piston pin retaining	65261	2	13	SPRING- Oil pump	69447	1
4	SEAL	94638	2	14	GASKET- Oil pump	69244-1	2
5	SPACER- Seal	69407	2	15	PLUNGER- Oil pump	A-12356-B	1
6	BEARING- Needle	12530	2	16	BODY- Oil pump	69343-1	1
7	BEARING- Needle (Alternate source)	68513	2	17	BALL- Check valve	60051	1
8	CRANKSHAFT (Solid State)	A-94992	1	18	SPRING- Check valve	68570	1
	CRANKSHAFT (Point ignition)	A-96385	1	19	FITTING- Oil line	70204	2
	Includes			20	FITTING- Tube	69833	2
9	KEY- Magneto	69250	1	21	LINE- Oil	70161	1
10	CYLINDER & CRANKCASE	A-95071-A	1	22	BOLT- Guide bar	69195	1
	(Solid State)			23	SCREW- Sems hex hd (8-32 x 1)	88044	4
	CYLINDER & CRANKCASE	A-69421-B	1	24	SHIELD- Sawdust	69094	1
	(Point ignition)			25	SCREW- Tap pan hd	93932	2

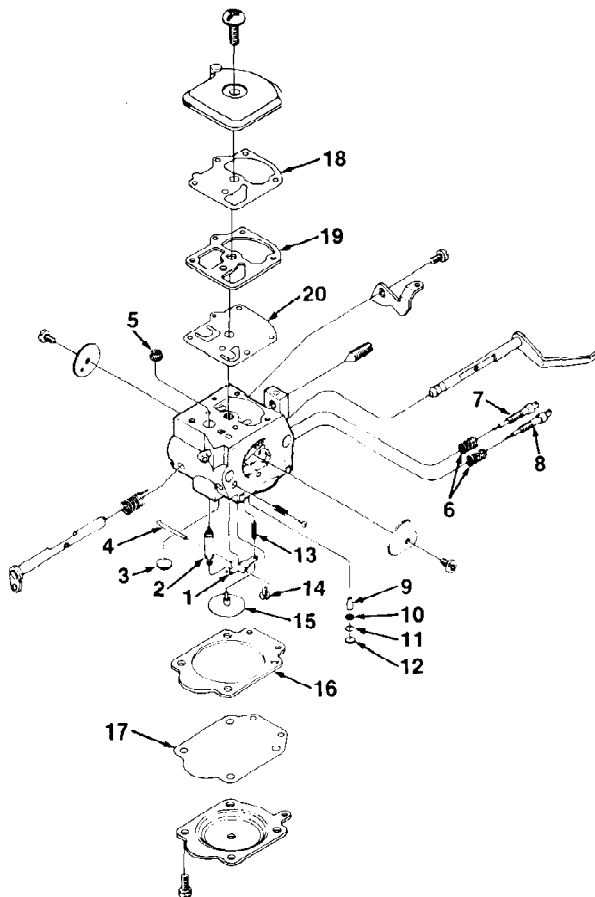
NOTE 1: Use 96935 piston ring for units with pinless piston.

XL

FIGURE 4

ZAMA CARBURETOR C2S-H5

A-96481

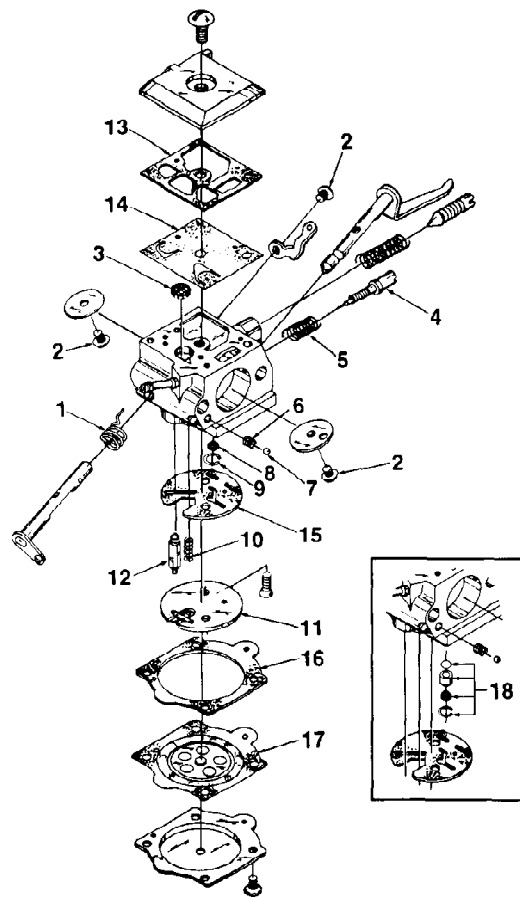


<u>NO.</u>	<u>DESCRIPTION</u>
96484	Repair Kit (1-20)
96485	Gasket/Diaphragm set (16-20)

FIGURE 5

WALBRO CARBURETOR HDC-65

A-94649-A



<u>NO.</u>	<u>DESCRIPTION</u>
94056	Repair Kit (Includes 1-17)
94701	Gasket/Diaphragm set (Includes 13-17)
93910-A	Check valve repair kit (18)
64229	Inlet Needle (#12)

ACCESSORIES

<u>DESCRIPTION</u>	<u>NO.</u>
GASKET- Oil pump body (Repair)	69596
KIT- Repair (Sprocket nose bar) (37 & 375 chain)	A-70239-D
KIT- Spark arrestor (used with A-93686 muffler and A-69253-1 muffler)	A-69586-B
TUBING- Rubber (10 ft. length) fuel	70310-99
TUBING- Rubber (10 ft. length) oil	70309-99
SAFE•T•TIP (Standard on unit)	DA-70776-A
Includes:	
SCREW (Special)	93695
GREASE- Multi-use (Sprocket bearing- PT guide bar)	17193
CARRYING CASE	94215-A
STARTING ROPE- 250 ft. reel #4	68848-1

TOOLS

<u>DESCRIPTION</u>	<u>NO.</u>
SILASTIC- (Crankcase sealing)	24823
PLIERS- Tru-Arc (Sprocket retaining ring)	17198
PULLER- Magneto rotor	A-24747-A
Includes:	
BOLT- (5/16-18 x 1 3/4) (1)	80288
NUT- Hex 5/16-18 (2)	81196
WRENCH- Spanner (Clutch)	A-93791
Includes:	
PIN- Clutch spanner (2)	23717-A
TOOL- Carburetor check valve Installation (Walbro only)	24972
SHIM- .015 (Air gap)	22486
WRENCH- Combination	D-24814

HOMELITE DIVISION OF TEXTRON INC.
 P.O. BOX 7047
 14401 CAROWINDS BOULEVARD
 CHARLOTTE, N.C. 28217

HOMELITE TEXTRON

Homelite Division of Textron Inc