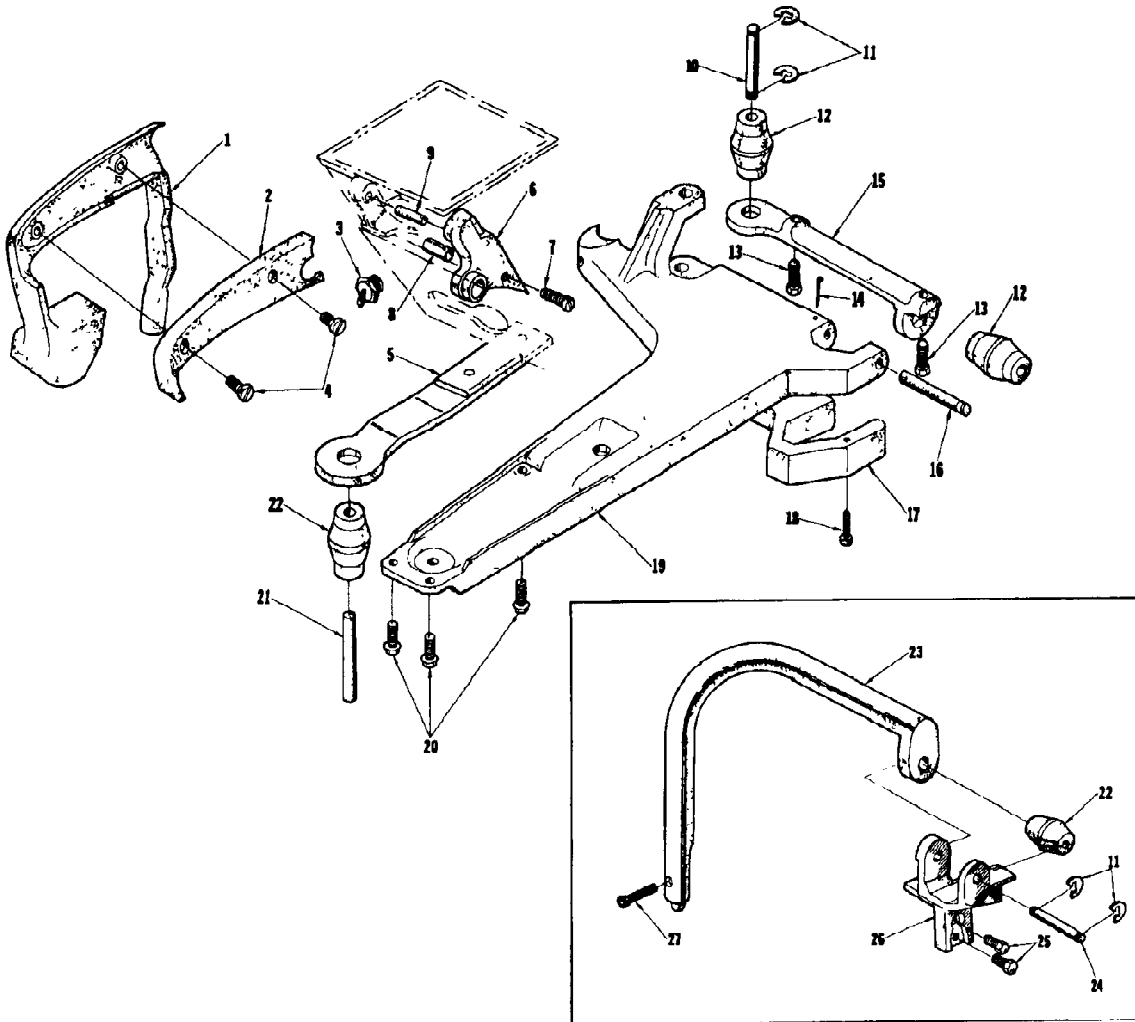


HOMELITE®



**E-Z
&
E-Z AUTOMATIC**

FLOATING POWER PARTS GROUP



No.	Description	Part No.	Qty.	No.	Description	Part No.	Qty.
1	HANDLE-vibration mount base	67775-2	1	14	PIN-cotter	86317	1
2	COVER-vibration mount base handle	67786-1	1	15	BRACKET-vibration mount	67780-2	1
3	SWITCH-toggle	A-67817	1	16	PIN-retaining	67782	1
4	SCREW-pan hd. Spinlock, 8-32 x 1/2	80560	2	17	SKID	68740-2	1
5	CHAMBER-carburetor (w/connector)	A-68761	1	18	SCREW-fil hd. cap, 6-32 x 5/8	80461-1	4
6	RETAINER-throttle trigger	A-68028	1	19	BASE-vibration mount	67774-2	1
	Includes:			20	SCREW-Spinlock, 12-24 x 5/8	80676	1
7	SCREW-fil hd., 6-32 x 1-1/4	82190	1	21	PIN-retaining	67784	1
8	SPACER	68436	1	22	MOUNT-vibration isolator	67868	2
	BUSHING (not shown)	67752	1	23	HANDLE BAR	A-67889-1	1
9	PIN	67924	1	24	PIN-retaining	67785	1
10	PIN-retaining	67783	1	25	SCREW-Spinlock, 10-32 x 5/8	80704	1
11	"E" RING	67857	4	26	BRACKET-handle bar	67776-2	1
12	MOUNT-vibration isolator	67974	2	27	SCREW-soc. hd. cap, 1/4-20 x 1-1/8	80954	1
13	SCREW-Spinlock, 10-32 x 3/4	80583	2				

Super EZ Automatic & Super XL Mini Automatic

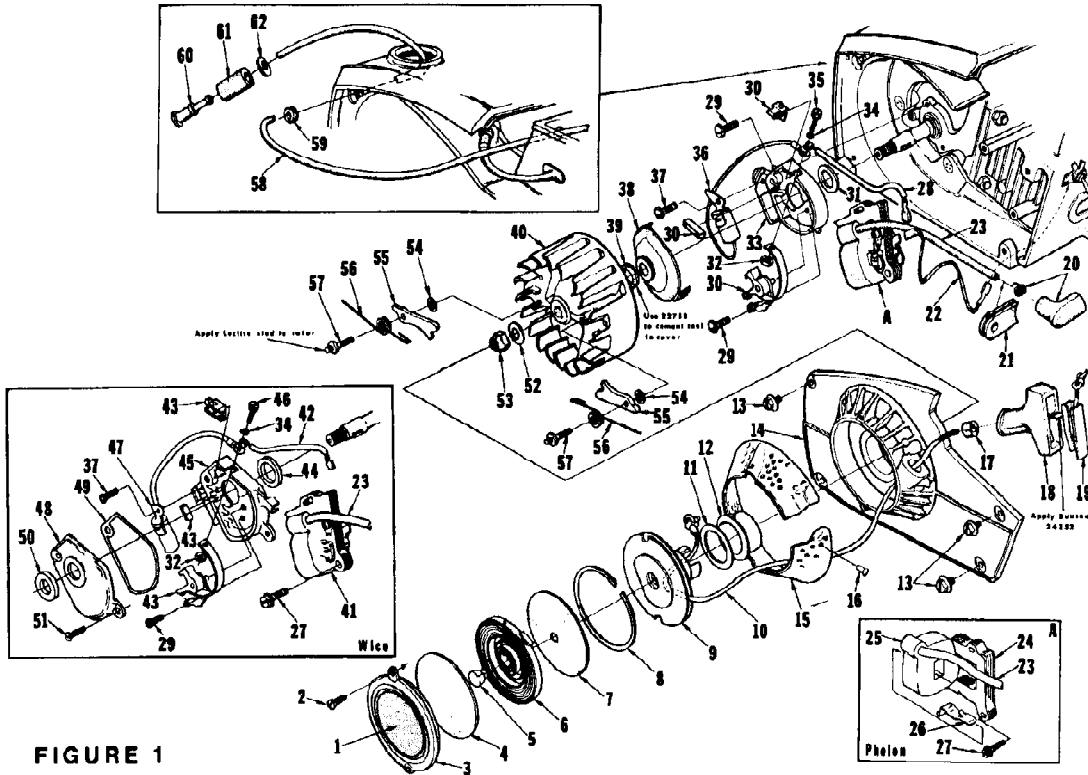


FIGURE 1

No.	Description	Part No.	Qty.	No.	Description	Part No.	Qty.
* 1	DECAL-starter cover (EZ Auto)	68920	1	34	WASHER-lock, #6	83004-1	1
* 2	DECAL-starter cover (XL Mini Auto)	68906	1	35	SCREW-hex, 6-32 x 7/16	(P) 67628	1
3	SCREW-pan, 8-32 x 3/8	80577	2	36	CONDENSER	(P) 65286	1
4	COVER-starter	65095-2	1	37	SCREW-pan, 6-32 x 1/2	80630	1
5	SHIELD-spring (inner)	65113	1	38	COVER-breaker box	(P) A-65210-A	1
6	LOCK-spring	65102	1	39	Includes: SEAL-felt	(P) 65211	1
7	SPRING-rewind	65107	1	40	ROTOR-magneto	(P) 65288	1
8	SHIELD-spring (outer)	65114	1		ROTOR-magneto	(W) 68701	1
9	RING-retaining	65126	1	41	COIL & CORE	(W) 68716	1
10	PULLEY & CUP	A-65170	1	42	LEAD GROUP-primary	(W) 68712	1
11	ROPE-starter, 48"	65118	1	43	POINTS-breaker	(W) A-68710	1
12	SHIELD-pulley	67993	1		Includes:		
13	BUSHING-starter cup	65116	1	44	SEAL-felt	(W) 68705	1
14	SCREW-hex, 10-32 x 5/8	80704	4		WASHER-thrust (not shown)	(W) 28028	as req'd
15	HOUSING-rewind starter	A-65222-1	1		LOCK-breaker arm (not shown)	(W) 28008	1
	Includes:			45	BOX-breaker	(W) 68708	1
16	SCREEN-air inlet	66189	1	46	SCREW-hex, 6-32 x 1/2	(W) 68700	1
17	STUD-drive #2	67191	3	47	CONDENSER	(W) 68711	1
18	BUSHING-starter rope	65185	1	48	COVER-breaker box	(W) A-68704	1
19	GRIP-starter rope	65183	1		Includes:		
20	INSERT-rope retaining	68937	1	49	GASKET-breaker box cover	(W) 68774	1
21	TERMINAL-spark plug	A-33055	1	50	SEAL-felt	(W) 68773	1
22	GROMMET-hi-tension lead	65135	1	51	SCREW-coover mounting	(W) 68715	2
23	LEAD-ground	A-63939	1	52	WASHER-flat, 5/16	84065-1	1
24	LEAD-hi-tension	65205	1	53	NUT-hex, 5/16-24	81112	1
25	CORE-coil	(P) 68255	1	54	WASHER-starter pawl	65110	2
26	COIL-ignition	(P) 68256	1	55	PAWL-starter	65108	2
27	RETAINER-coil	(P) 68257	1	56	SPRING-starter pawl	65120	2
28	SCREW-coil core	64021	2	57	STUD-starter pawl	65109	2
29	LEAD GROUP-primary	(P) 65291	1	58	LINE-fuel	A-88053	1
30	SCREW-pan, 6-32 x 3/8	80571	2	59	Includes: GROMMET	68046	1
31	POINTS-breaker	(P) A-65203-A	1	60	FILTER-fuel	A-63920	1
32	Includes: SEAL-felt	(P) 65209	1	61	Includes: FILTER-felt	64083-1	1
33	NUT-hex	65207	1	62	WASHER	64182	1
	BOX-breaker	(P) 65206-A	1				

Complete magneto must be either Wico or Phelon. Phelon and Wico parts are not individually interchangeable.

ALWAYS FURNISH MODEL AND SERIAL NUMBER WHEN ORDERING PARTS.

Super EZ Automatic & Super XL Mini Automatic

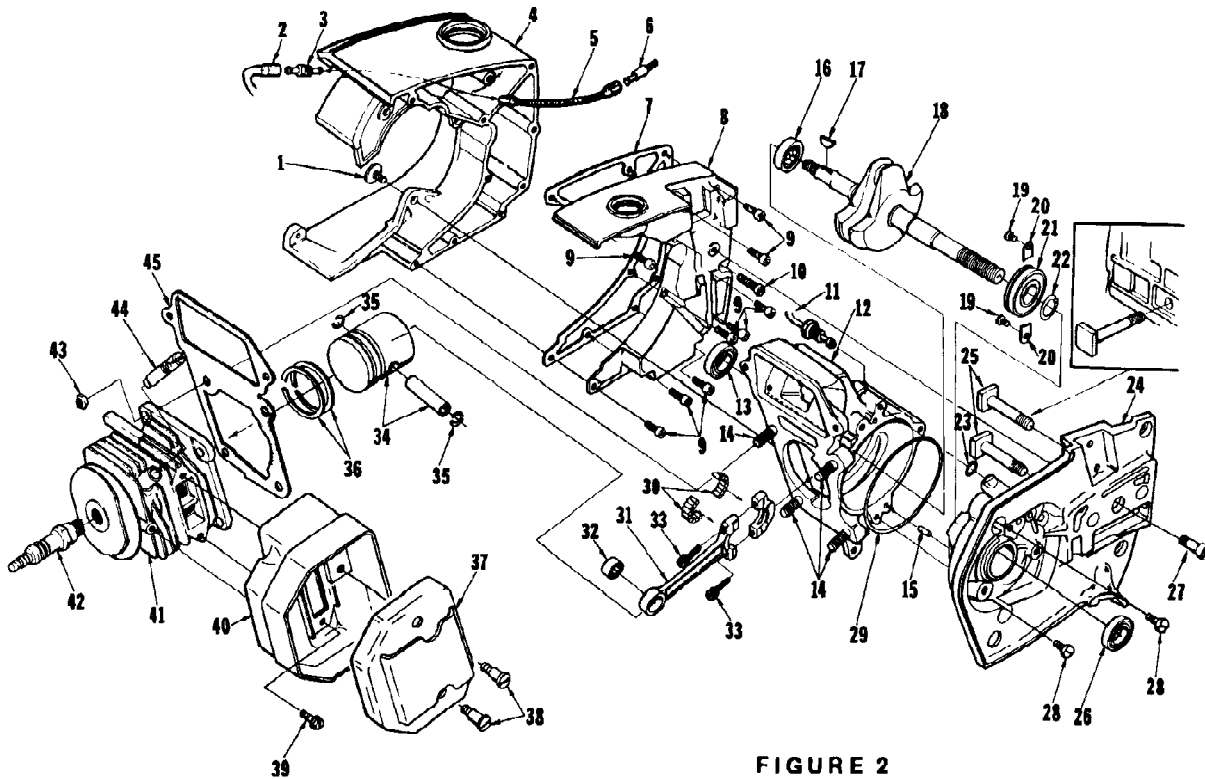


FIGURE 2

No.	Description	Part No.	Qty.	No.	Description	Part No.	Qty.
1	SCREW-retaining	65321	3	28	SCREW-hex, 12-24 x 5/8	80876	3
2	LINE-oil	65137	1	29	"O" RING	65127	1
3	FITTING-oil line	65138	1	30	BEARING-needle (set of 28)	A-67971	1
4	TANK-fuel & oil	65037-2	1	31	ROD-connecting	A-68051	1
5	LINE-oil (pick up)	58340-B	1		Includes:		
6	FILTER-oil	A-65172	1	32	BEARING-needle	68512	1
7	GASKET-fuel & oil tank	65046	1	33	SCREW-soc, 8-32 x 9/16	80805	2
8	COVER-fuel & oil tank	65115-2	1	34	PISTON & PIN	A-68487	1
9	SCREW-fil, 8-32 x 5/8	82146	9		Includes:		
10	SCREW-fil, 8-32 x 1-7/16	82187	1	35	RING-piston pin retaining	64813	2
11	LINE-oil	A-65214	1	36	PISTON RING	68508	2
12	CRANKCASE	A-65202-A	1	*37	CAP-muffler w/shield	A-68950-1	1
	Includes:			38	SCREW-shoulder	64133-A	2
13	SEAL	65019	1	39	SCREW-hex, 10-32 x 3/8	80870	3
14	STUD-cylinder	55871	4	40	BODY-muffler	A-65152-2	1
15	PIN-dowel	65153	1		MUFFLER-diffuser (not shown)		
16	BEARING-roller	65179	1		(Note 1)	†A-68254	1
17	KEY-woodruff	65126	1		Includes:		
18	CRANKSHAFT	65006-2	1		CAP-muffler	† 68253-1	1
19	SCREW-bearing retaining	59704	2		plus items # 38, 39, 40		
20	WASHER-lock special	63905	2		MUFFLER (not shown)	†A-65275	1
21	BEARING-ball	65044-S	1		Includes:		
22	RING-retaining	65045	1		CAP-muffler*	†65066-1	1
23	"O" RING	59074	1		BAFFLE-muffler	†65067	1
24	DRIVECASE	A-65200-A	1		Plus items #38, 39 & 40		
	Includes:			41	CYLINDER-1-9/16 dia (Note 2)	A-67874-3	1
25	BOLT-guide bar	65025	2	42	SPARK PLUG	65130-S	1
26	SEAL	65019	1	43	NUT-hex, 1/4-28	81065-2	4
27	SCREW-fil, drivecase retainer	65157	1	44	VALVE-compression release	A-65184	1
	* Denotes new parts			45	GASKET-cylinder	65018	1
	† Optional						

Note 1 - For units with Reed type Muffler, the following are still available: STOP-67413-1A, STUDS-68103-1, BAFFLE-67736, REED-67394 and NUTS-81109-2.

Note 2 - A-67874-3 Cylinder must be used with A-65202-A Crankcase and A-65200-A Drivecase for units built after S/N 13141393

Super EZ Automatic & Super XL Mini Automatic

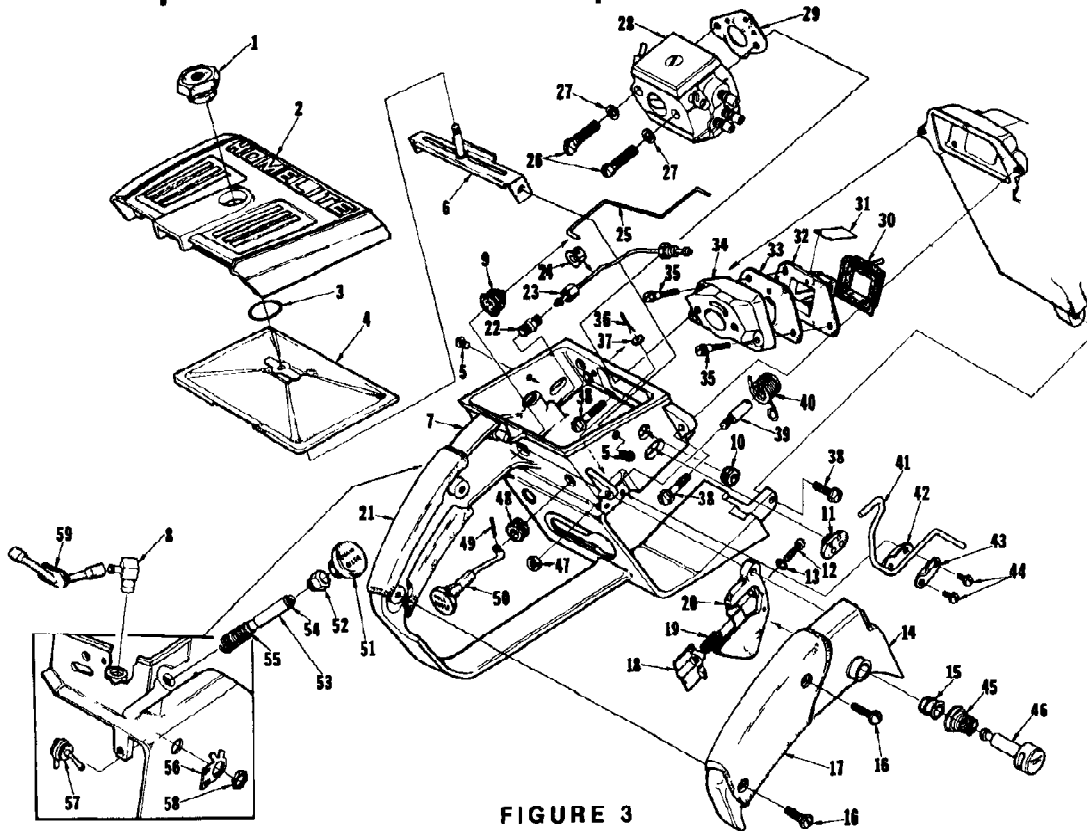


FIGURE 3

No.	Description	Part No.	Qty.	No.	Description	Part No.	Qty.
1	NUT-cover mounting	A-65272	1	29	GASKET-carburetor	65016	1
2	COVER-air filter	65096-5	1	30	RETAINER-reed valve	65011-A	1
3	RING-retaining	58319-A	1	31	REED-valve	65012-A	4
4	FILTER ELEMENT-air	A-65178	1	32	SEAT-reed valve	65010	1
5	SCREW-pan, 8-32 x 3/8	80577	2	33	GASKET-reed valve seat	65014	1
6	BRACKET-air filter cover	A-65123	1	34	MANIFOLD-intake	A-65154-1A	1
7	HANDLE-throttle (FP on page 2)	A-68267-A	1	35	SCREW-shoulder	64349-A	3
	Includes:			36	PIN-cotter, 1/16 x 1/2	86301	1
8	VALVE-check (inlet)	A-65076	1	37	WASHER-felt	63290	1
9	BOOT-throttle rod	67634	1	38	SCREW-hex, 12-24 x 5/8	80676	3
10	GROMMET-idle adjusting	68197	1	39	POST-spring	65023	1
11	GROMMET-"hi-lo"	68196	1	40	SPRING-release valve	65174	1
	LINE-fuel (shown on Fig. 1)	A-68053	1	41	LEVER-release	65173	1
	Includes: GROMMET (Fig. 1)	68046	1	42	PLATE-lever	65092	1
12	SCREW-pan, 6-40 x 1	82198	1	43	CLAMP-lever	65093	1
13	"O" RING	65260	1	44	SCREW-pan, 6-32 x 3/8	80571	2
14	COVER-throttle handle (See Note)	68852-2	1	45	SPRING-throttle latch	64677	1
15	BUSHING	67752	1	46	PIN-throttle latch	65171-A	1
16	SCREW-pan, 8-32 x 1/2	80560	2	47	NUT-hex, #6-32	81126	1
17	GRIP-throttle handle cover	68759	1	48	GROMMET-choke	64862	1
18	STOP-throttle adjustment	65147-A	1	49	PIN-cotter, 1/32 x 1/2	86324	1
19	SPRING-throttle stop	65188	1	50	ROD-choke	65072-1	1
20	TRIGGER-throttle	65031-1	1	51	BUTTON-oil pump	65084	1
21	GRIP-throttle handle	68770	1	52	NUT-plunger	65082	1
22	VALVE-check (outlet)	A-65077	1	53	PLUNGER-oil pump	A-68061-A	1
23	LINE-oil	A-65214	1		Includes: "O" RING	59074	1
24	GROMMET-oil line	65085	1		"O" RING	53406	1
25	ROD-throttle	65056	1	56	PLATE-"on-off"	63910	1
26	SCREW-hex, 10-32 x 1-5/8	82165	2	57	SWITCH-grounding	A-63938	1
27	WASHER-lock, #10	83046	2	58	Includes NUT-hex	72084-A1	1
28	CARBURETOR- (HDC-4)	A-68415	1	59	LINE-oil	65137	1

Note - 65042-3B Cover for Throttle Handle is to be used for units without Grips.

ALWAYS FURNISH MODEL AND SERIAL NUMBER WHEN ORDERING PARTS

Super EZ Automatic & Super XL Mini Automatic

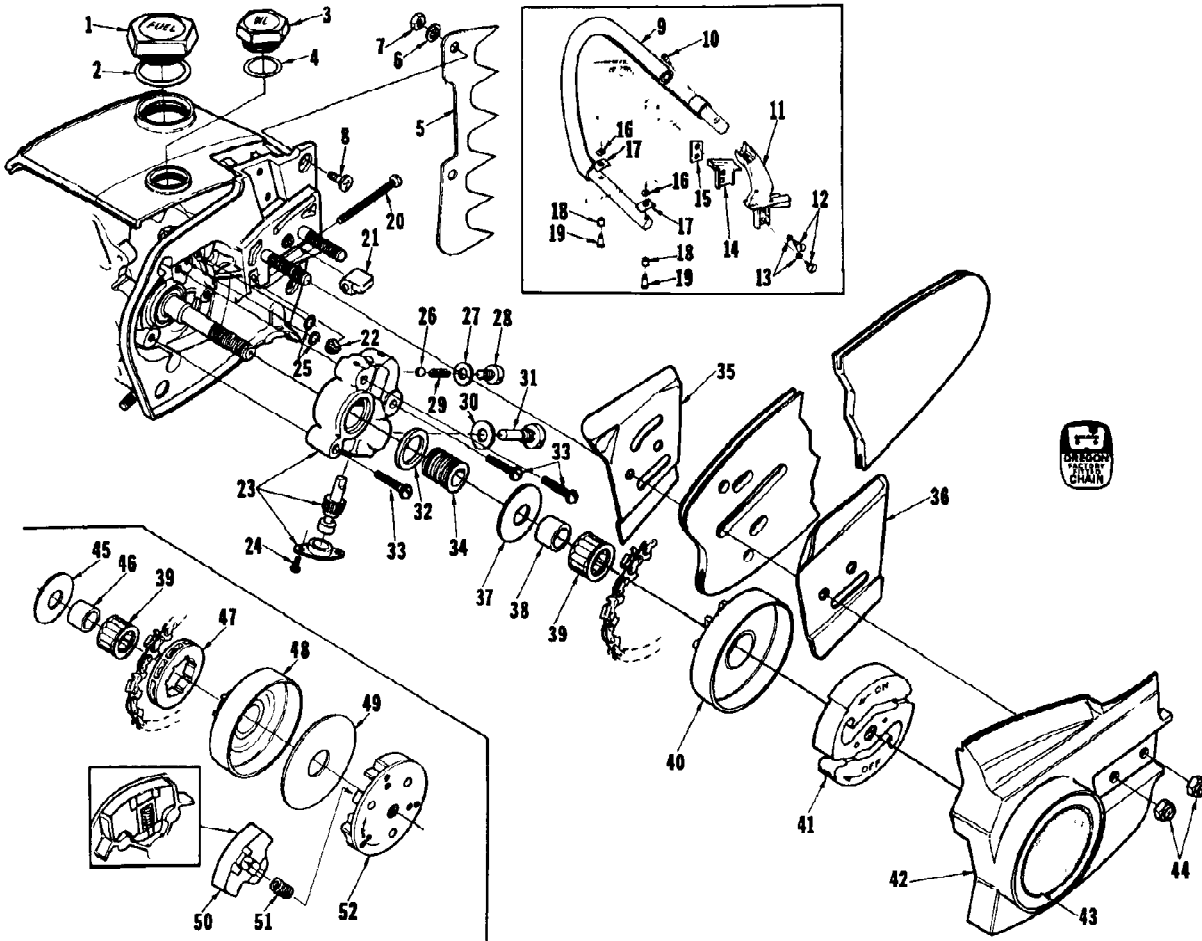


FIGURE 4

Super EZ Automatic & Super XL Mini Automatic

No.	Description	Part No.	Qty.	No.	Description	Part No.	Qty.
* 1	CAP-fuel filler Includes: VALVE-check (not shown)	A-65283-B 63718	1 1	33	SCREW-pan, 8-32 x 3/4	80567	3
* 2	GASKET-fuel filler cap	68961	1	34	WORM-oil pump	85047-A	1
3	CAP-oil filler (vented) Includes: VALVE-check (not shown)	A-65284-A 63718	1 1	35	PLATE-guide bar (inner)	63638-B	1
4	"O" RING	65133	1	36	PLATE-guide bar (outer)	63639-A	1
5	KIT-spiked bumper (accessory) Includes: WASHER-lock, #10	† A-65181 † 83006-1	1 2	37	WASHER-thrust (outer)	65064	1
6	WASHER-lock, #10	† 83006-1	2	38	RACE-inner	65746	1
7	NUT-hex, 10-32	† 81010-1	2	39	BEARING-needle	64124	1
8	SCREW-flat, 10-32 x 5/8	† 80035	2	40	SPROCKET & DRUM	A-65033	1
* 9	HANDLE BAR-flush cut (FP on page 2) HANDLE BAR-full wrap-around (Note 1)	A-69024-1 † A-68469-2	1 1	41	CLUTCH-"S" (Note 3)	68362-1	1
10	SCREW-soc, 10-32 x 7/8	82169	1	42	COVER-drivecase	65131-1	1
11	BRACKET-handle bar BRACKET-handle bar (Note 1)	68734-2 † 65035-3	1 1	* 43	DECAL-drivecase cover (EZ Auto)	68921	1
12	SCREW-shoulder	64613-A	2	* 44	DECAL-drivecase cover (XL Mini Auto)	68907	1
13	GROMMET-handle bar	64473	2	44	NUT-hex, 5/16-18	81196	2
14	MOUNT-shock	65111	1	45	WASHER-thrust (outer) for rimmed sprocket (Note 2)	† 65027	1
15	PLATE-handle bar bracket	65032	1	46	RACE-inner (Note 2)	† 65985	1
16	PLATE-handle bar	65670	2	47	SPROCKET-rim type (3/8, 7 tooth) (Note 2)	† OM-68210	1
17	PAD-rubber	65124	2	48	HUB & DRUM (Note 2)	† A-65987	1
18	GROMMET	65122	2	49	WASHER-thrust (inner) (Note 3)	† 65024-1	1
19	SCREW-shoulder	65121	2		WASHER-thrust (inner) (Note 2)	† 58833-1	1
20	SCREW-guide bar adjusting	65175-A	1	50	SHOE-clutch (Note 3)	† 65892	3
21	PIN-bar adjusting	65112-1	1	51	SPRING-clutch (Note 3)	† 65217	3
22	NUT-flexlock, 10-32	81109-2	1	52	PLATE-clutch (aluminum) (Note 3)	† 65146-1	1
23	PUMP-automatic oil Includes: SCREW-pan, 4-40 x 1/4	A-65212 80919	1 2		PLATE-clutch (steel) (Note 3)	† 67855-1	1
24	"O" RING	59074	2				
25	BALL	65225	1				
26	GASKET-check valve	65144	1				
27	CAP-check valve Includes: SPRING-check valve	A-68207 65017	1 1				
28	GASKET	65145	1				
29	SCREW-cam	65136	1				
30	SEAL	65142	1				

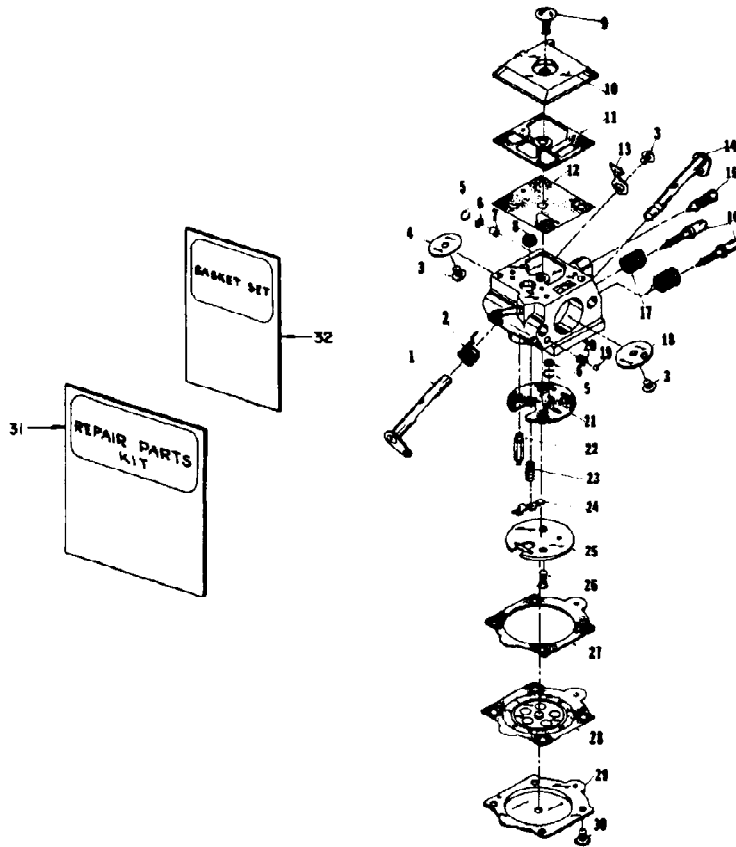
* Denotes new parts † Optional

Note 1 - Use 65035-3 Bracket when using A-68469-2 Handle Bar

Note 2 - When using A-65987 Drum & Hub -- Index numbers 45, 46, 47 and 49 are required.

Note 3 - Units with 3-piece clutch include items #50, 51 & 52 and require index #49 - 65024-1 (inner) Thrust Washer.

Super EZ Automatic & Super XL Mini Automatic



A-68415 HDC-4

HDC-4
Supersedes
HDC-1
&
HDC-2

No.	Description	Part No.	Qty.	No.	Description	Part No.	Qty.
1	SHAFT-throttle	67362	1	18	VALVE-choke	67365	1
† 2	SPRING-throttle return	67376	1	† 19	BALL-choke friction	60051	1
† 3	SCREW-valve	67372	3	† 20	SPRING-choke friction	64238	1
4	VALVE-throttle	67363	1	† 21	GASKET-circuit	67367	1
† 5	RING-screen retaining	67360	2	† 22	VALVE-inlet needle	64229	1
† 6	SCREEN-check valve	67381	2	† 23	SPRING-metering lever	67378	1
7	JET-limiting	68461	1	† 24	LEVER-metering	67383	1
† 8	SCREEN-fuel inlet	64243	1	25	PLATE-circuit	67382	1
9	SCREW-fuel pump	67374	1	26	SCREW-circuit plate	67375	2
10	COVER-fuel pump	67361	1	† 27	GASKET-metering diaphragm	64231	1
† 11	GASKET-fuel pump	67368	1	† 28	DIAPHRAGM-metering	67371	1
† 12	DIAPHRAGM-fuel pump	67370	1	29	COVER-metering diaphragm	64224	1
13	STOP-throttle	67366	1	30	SCREW-metering cover	64689	4
14	SHAFT-choke	67364	1	31	REPAIR KIT	67384	1
15	SCREW-idle adjustment	67373	1	† 32	GASKET SET	67369	1
† 16	NEEDLE-idle adjustment	67379	2		REPAIR KIT	65386	1
† 17	SPRING-needle adjusting	67377	2				

† Indicates contents of Repair Kit #67384

† Indicates contents of Gasket Set

Super EZ Automatic & Super XL Mini Automatic

Tools

24299	ANVIL	crankshaft installation	
24320	BIT-	#3 pozidriv	
24295	COLLAR	bearing installation	
24173	DRIVER	check valve (carburetor)	
A-24309	JACKSCREW		
	Includes:		
84035-1	WASHER		
24298	PLUG	bearing & seal installation	
23756	PLUG	bearing installation	
24294	PLUG	needle bearing installation	
24292	PLUG	seal & bearing removal	
A-24290	PULLER	magneto rotor	
	Includes:		
24301	SCREW	rotor remover	(4)
67912	RING	retaining	(4)
23136-1	SLEEVE	bearing & shaft installation	
24300	SLEEVE	crankshaft bearing installation	
24297	SLEEVE	seal protecting (crankcase)	
24291	SLEEVE	seal (drivecase)	
A-24060	WRENCH	clutch (spanner) (3 piece)	
	Includes:		
64309	PIN	dowel	(3)
A-24284	WRENCH	combination	
A-23696-A	WRENCH	spanner ("S" clutch)	
	Includes:		
23717-A	PIN	clutch spanner	(2)

Super EZ Automatic & Super XL Mini Automatic

Paint

22772	SPRAY CAN-black
23475	SPRAY CAN-red
23560	SPRAY CAN-white

Accessories

A-68936	CARRYING CASE
24352	COMPOUND-sealing (Duxseal)
*A-68955	KIT-anti-kickback guard
A-24338	KIT-fasteners
A-24336	KIT-filter
A-24276	KIT-guide bar plate
A-67947	KIT-heat exchanger
A-24365-A	KIT-ignition (Phelon) units above S/N 91600198
A-24337-A	KIT-ignition (Phelon) units below S/N 91600198
A-24481	KIT-ignition (Wico)
23488-B	KIT-Loctite
A-67050	KIT-repair (Sprocket Nose Bars)
A-24335-A	KIT-starting rope
A-67802	KIT-throttle adj. stop units below S/N 93380678
68848	ROPE-starter, 250' reel #4
A-65256	SPARK ARRESTOR ASSEMBLY

* Denotes new parts