

PART NO. 24983 REV. 2

Printed in U.S.A.

Price .35

PARTS LIST

HOMELITE®

Super 2

For Homelite Discount Parts Call 606-678-9623 or 606-561-4983

www.mymowerparts.com

For Homelite Discount Parts Call 606-678-9623 or 606-561-4983

www.mymowerparts.com

For Homelite Discount Parts Call 606-678-9623 or 606-561-4983

www.mymowerparts.com

**SUPER 2
FIGURE 2**

NO.	DESCRIPTION	PART NO.	QTY.	NO.	DESCRIPTION	PART NO.	QTY.
1	MUFFLER Includes	A-94051-B	1	28	MODULE- Ignition (solid state) Includes	94711	1
2	CAP- Muffler (w/shield) (Note 1) SPARK ARRESTOR Includes	A-95428 A-94139	1 1	29	LEAD- High tension (see index #9) TERMINAL- Spark plug (solid state) (Note 3)	69326	1 1
3	SCREW	82320	1	30	SPARK PLUG- Champion DJ-7J	68616-S	1
4	SPACER- (Short)	93989	1	31	SPROCKET & DRUM (Standard) (6 tooth 37 and 375 chain) Includes	A-70221-C	1
5	SCREEN- Spark arrestor	D-93991	1	32	BEARING- Needle	68512	1
6	SPACER- (Long)	93990	1	33	NUT- Locking 6/16 - 24 (Note 5)	81112	1
7	SCREW- 4 x .250 (Note 1)	82342	3	34	WASHER- thrust (clutch)	95299	1
8	TERMINAL- Spark plug	A-33055	1	35	CLUTCH- "S"	A-70351-A	1
9	LEAD- High tension (Note 2)	69326	1	36	PIN- Adjusting (see insert)	69254-1A	1
10	CORE- Coil (Point ignition)	69324	1	37	SCREW- Adjusting (fil hd 8-32 x 1) (See insert)	80220-2	1
11	LEAD- Stop switch (Point ignition)	A-95051	1	38	ROTOR & STARTER PAWL (Solid state (Phelon) ROTOR & STARTER PAWL (Point ignition) (Phelon)	A-94717-A A-69297-B	1 1
12	COIL- Ignition (Point ignition) RETAINER- Coil (not shown) (Point ignition)	69323 69325	1 1	39	KIT- Starter pawl (Note 4) Includes	A-70285-C	1
13	POINT SET- Breaker (point ignition) Includes	A-69336	1	40	WASHER- Lock	83002	1
14	LEAD- Electrical	70249	1	41	NUT- Rotor 5/16-24	81117	1
15	SEAL- Lead (point ignition)	69247	1	42	WASHER- Flat	84065-1	1
16	SCREW- Point set (point ignition)	88026	2				
17	FILTER- Air	69141	1				
18	SCREW- Hex hd 10-32 x 2 1/4	80481	2				
19	WASHER- Lock #10	83006-1	2				
20	RETAINER- Air filter	69457	1				
21	CUP- Air filter	69148	1				
22	CARBURETOR- HDC-65 (walbro) CARBURETOR- Zama (C2S-H5)	A-94649-A A-96481	1 1				
23	GASKET- Carburetor	65016	1				
24	MANIFOLD- Intake	A-69373-A	1				
25	GASKET- Intake manifold	69143	1				
26	LEAD- Ground (solid state)	A-94721	1				
27	SCREW- Hex w/washer (8-32 x 3/4)	82248	2				

NOTE 1: Units with separate shield requires index #7 screws.
All new muffler caps A-95428 includes a shield welded to cap.

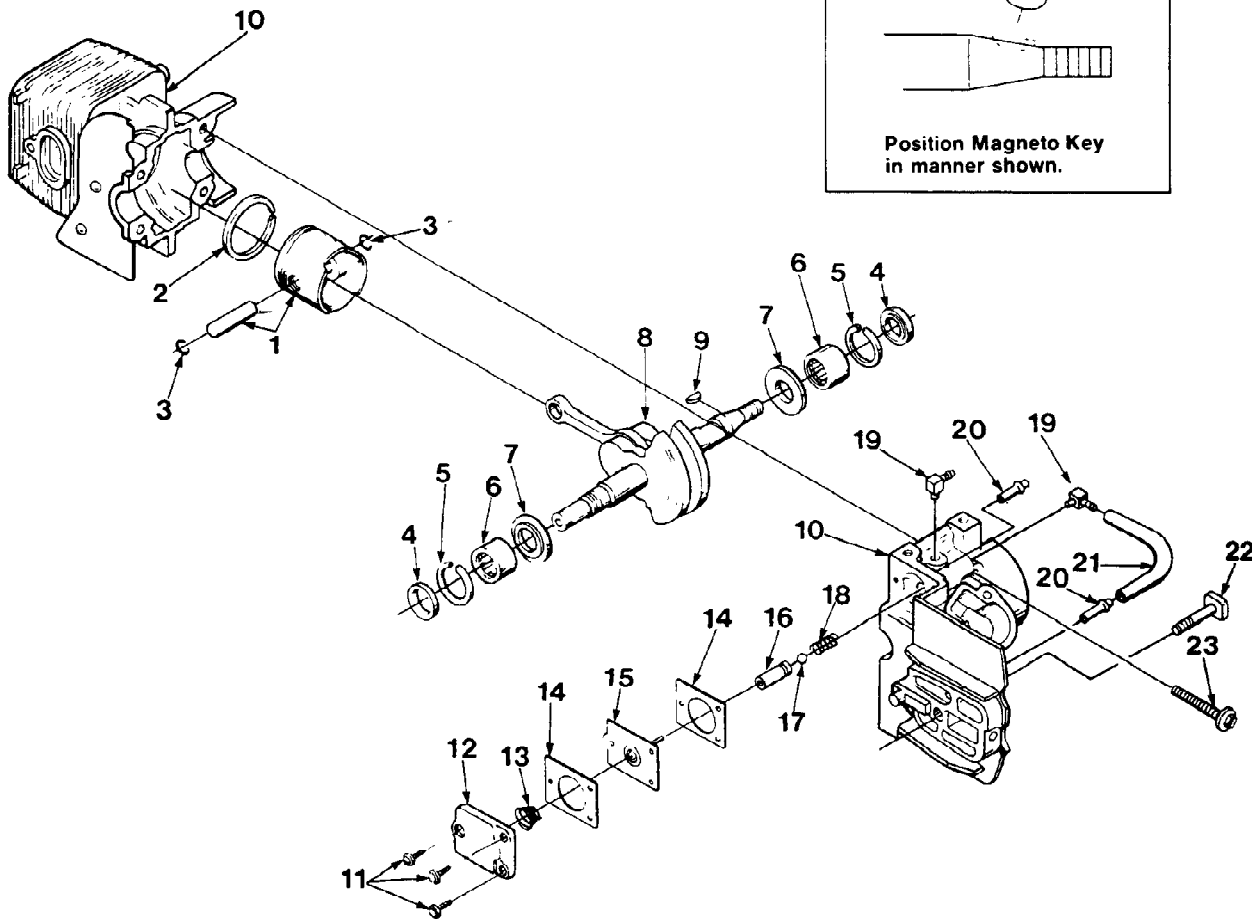
NOTE 2: For Solid State ignition cut wire to 6 1/2".

NOTE 3: Use A-33055 for service replacement.

NOTE 4: Replacement starter pawl kit., item #39 includes an oversized pin, paint, stamp or mark to identify oversized pin when installing. Oversize pin can be installed tightly only once. If oversize pin is removed, the entire rotor assembly must be replaced.

NOTE 5: Retaining ring 93972 required for crankshafts without threaded clutch end.

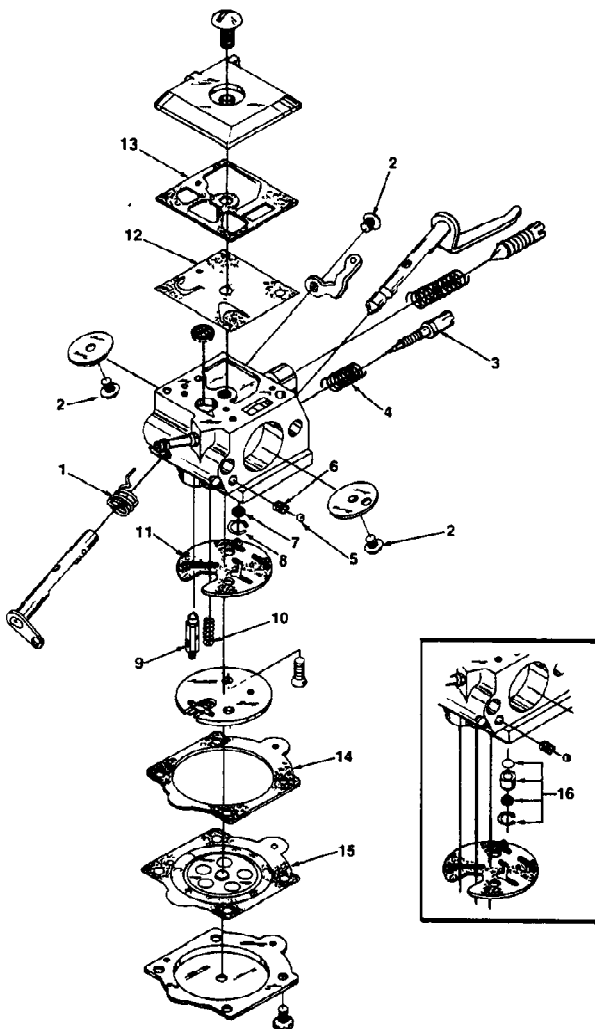
**SUPER 2
FIGURE 3**



NO.	DESCRIPTION	PART NO.	QTY.	NO.	DESCRIPTION	PART NO.	QTY.
1	PISTON & PIN Includes	A-70224-A	1	12	COVER- Oil pump	69224-1C	1
2	PISTON RING	70205	1	13	SPRING- Oil pump	69447	1
3	RING- Piston pin retaining	65261	2	14	GASKET- Oil pump	69244-1	2
4	SEAL	94638	2	15	PLUNGER- Oil pump	A-12356-B	1
5	SPACER- Seal	69407	2	16	BODY- Oil pump	69343-1	1
6	BEARING- Needle BEARING- Needle (opt)	12530 68513	2 2	17	BALL- Check valve	60051	1
7	WASHER- Thrust	69093-B	2	18	SPRING- Check valve	68570	1
8	CRANKSHAFT (C/D Ignition) CRANKSHAFT (point ignition) Includes	A-96384 A-96385	1 1	19	FITTING- Oil line	70204	2
9	KEY- Magneto (see above) Includes	69250	1	20	FITTING- Tube	69833	2
10	CYLINDER & CRANKCASE (C/D) CYLINDER & CRANKCASE (point ignition) Includes	A-95072 A-70226	1 1	21	LINE- Oil	70161	1
11	SCREW- Pan hd . 6-32 x 3/8	80571	3	22	BOLT- Guide bar	69195	1
				23	SCREW- Sem hex hd 8-32 x 1	88044	4

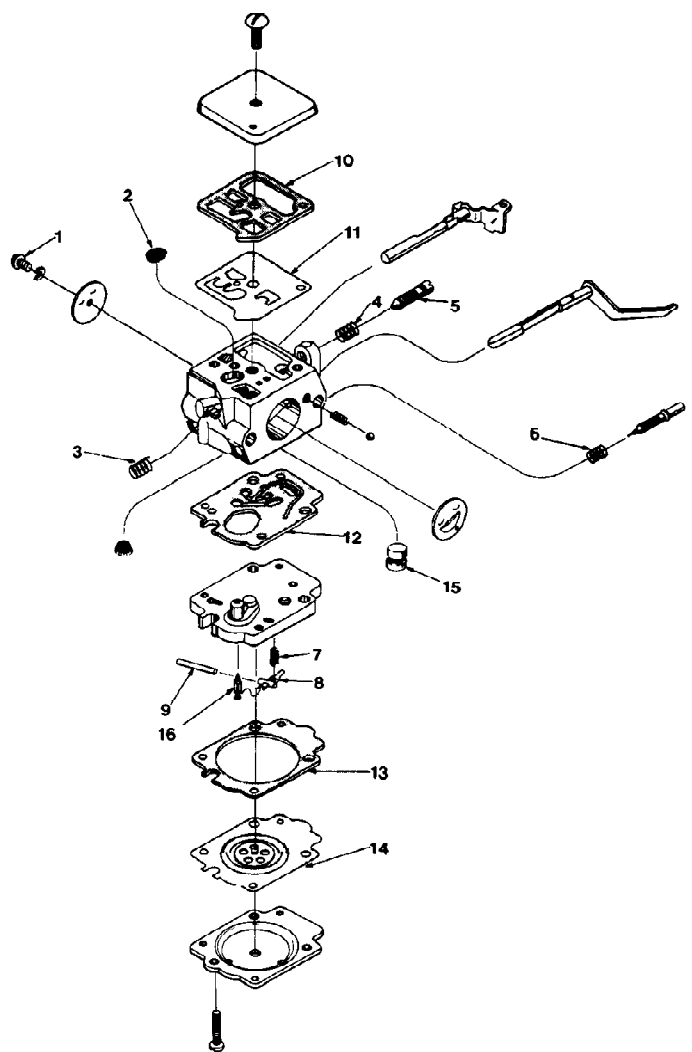
SUPER 2

**CARBURETOR
A-94649-A
HDC-65**



- 94056 Repair Kit (Includes 1-15)
- 94701 Gasket/Diaphragm Kit (Includes 11-15)
- 93910-A Check valve repair kit (16)
- 93199 Circuit Plate- High altitude .029 not shown
- 4229 Valve- Inlet needle (9)

**CARBURETOR
A-96481 (ZAMA)
C2S-H5**



- 96484 Repair Kit (1-16)
- 96485 Diaphragm/Gasket Kit (10-14)

ACCESSORIES

GASKET- Oil pump body (repair) 69596
 KIT- Repair (sprocket nose bar) A-70239-B
 KIT- Spark arrestor (use with
 A-93686 muffler and A-69253-1 muffler) A-69586-B
 LINE- Fuel (10 ft. length) 70310-99
 LINE- Oil (10 ft. length) 70309-99
 SAFE•T•TIP (standard) A-70776-A
 Includes:
 SCREW (Special) 93695
 GREASE- Multi-use 17193
 (Sprocket bearing - PT guide bar) 94215-A
 CARRYING CASE 68848
 STARTING ROPE- 250 ft. reel #4

TOOLS

SILASTIC (crankcase sealing) 24823
 PLIERS- Tru-Arc (sprocket retaining ring) 17198
 PULLER- Magneto rotor A-24747-A
 Includes:
 BOLT- 5/16-18 x 1 3/4 (1) 80288
 NUT- Hex 5/16-18 (2) 81196
 WRENCH- Spanner (clutch) A-93791
 Includes:
 PIN- Clutch spanner 23717-A
 TOOL- Carburetor check valve installation 24972

HOMELITE DIVISION OF TEXTRON INC.
 P.O. BOX 7047
 14401 CAROWINDS BOULEVARD
 CHARLOTTE, N.C. 28217

HOMELITE TEXTRON

Homelite Division of Textron Inc