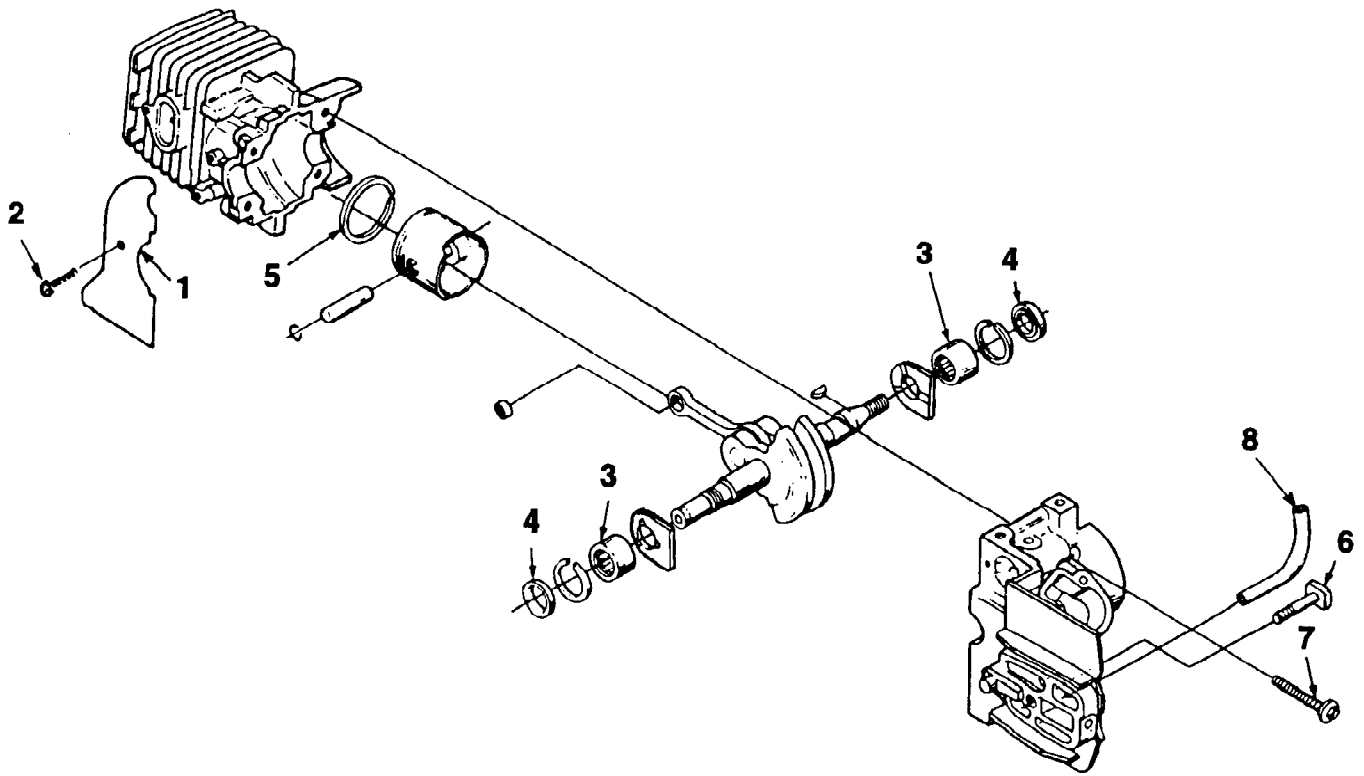
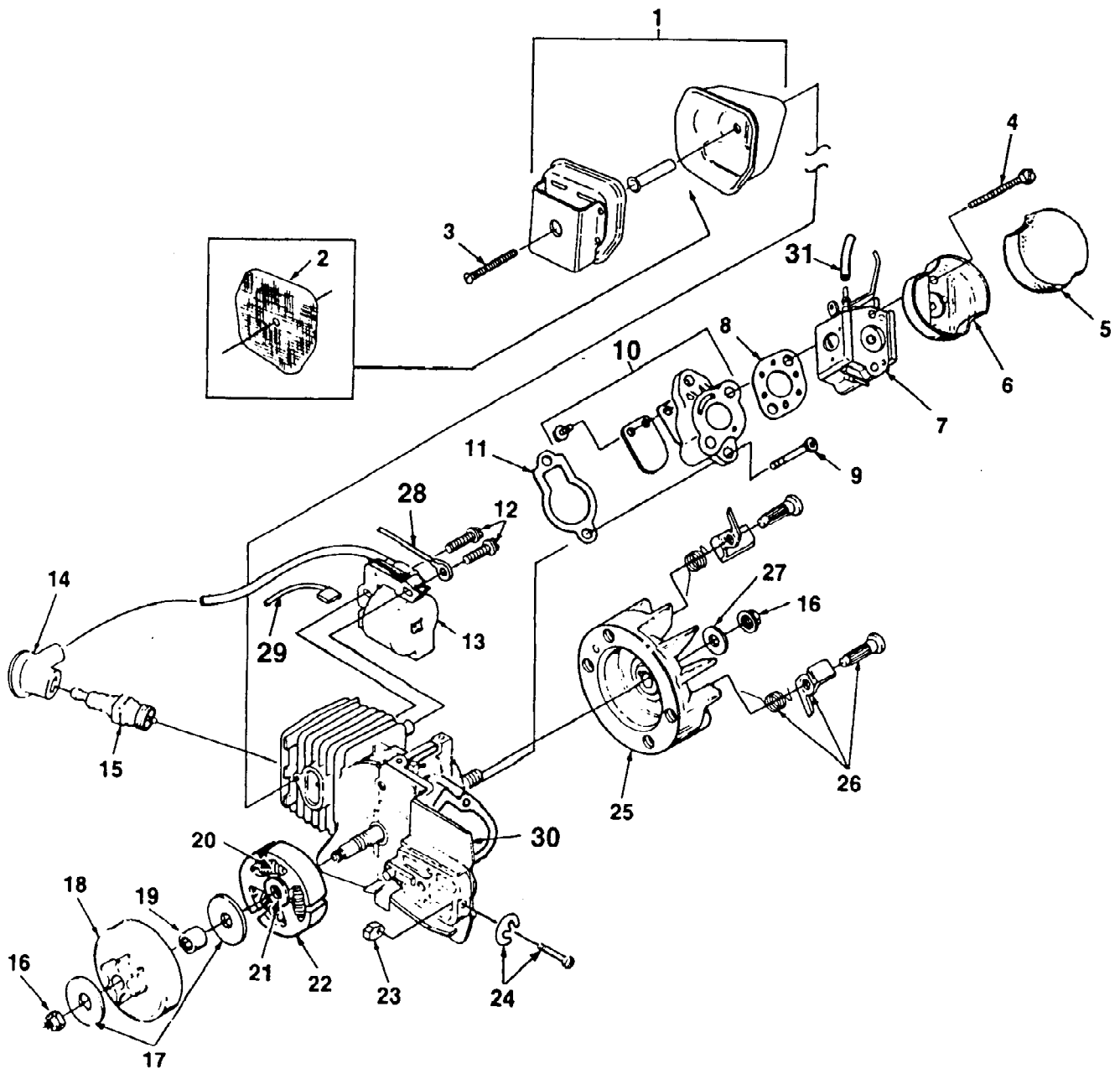


LX30 Bandit Chain Saw UT-10716-A
Engine Internals



Ref #	Part Number	Qty	S/P/F	Description
1	02639	1	/P	SAW DUST SHIELD
2	93932	1		SCREW-Tapping (#6-32 X 5/16")
	A00132	1		SHORT BLOCK Includes Ref. #3-7.
3	12530	2		BEARING-Needle
4	94638	2	S	SEAL-Shaft
5	93165	1		RING-Piston
6	69195	1	/P	BOLT-Guide Bar
7	82567	4		SCREW-Pan Hd. (10-24 X 1 1/8")
8	9477217	1		TUBING-Rubber (4 1/4")

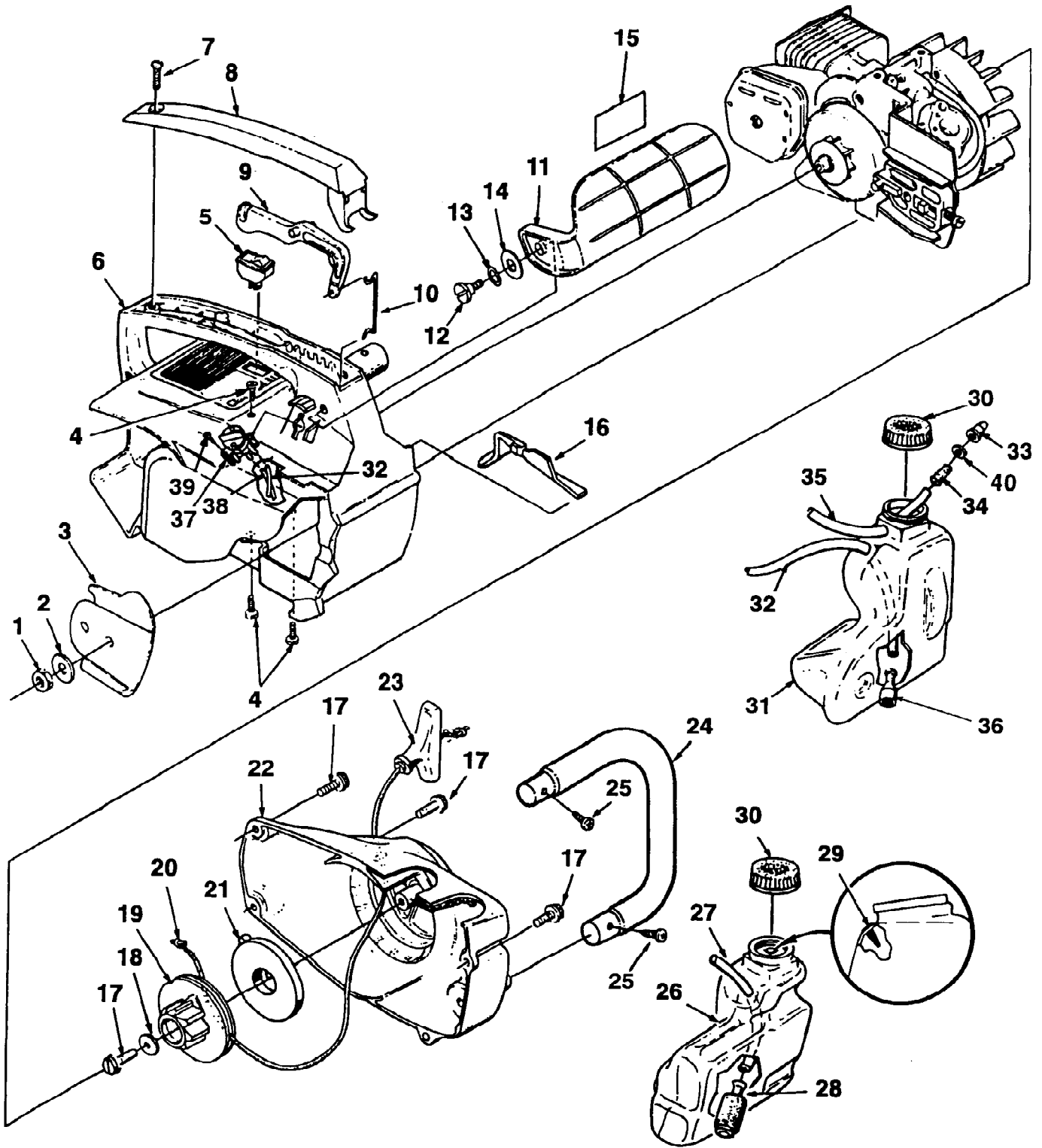
LX30 Bandit Chain Saw UT-10716-A
Intake, Clutch, Muffler And Ignition



LX30 Bandit Chain Saw UT-10716-A
Intake, Clutch, Muffler And Ignition

Page 4 of 8

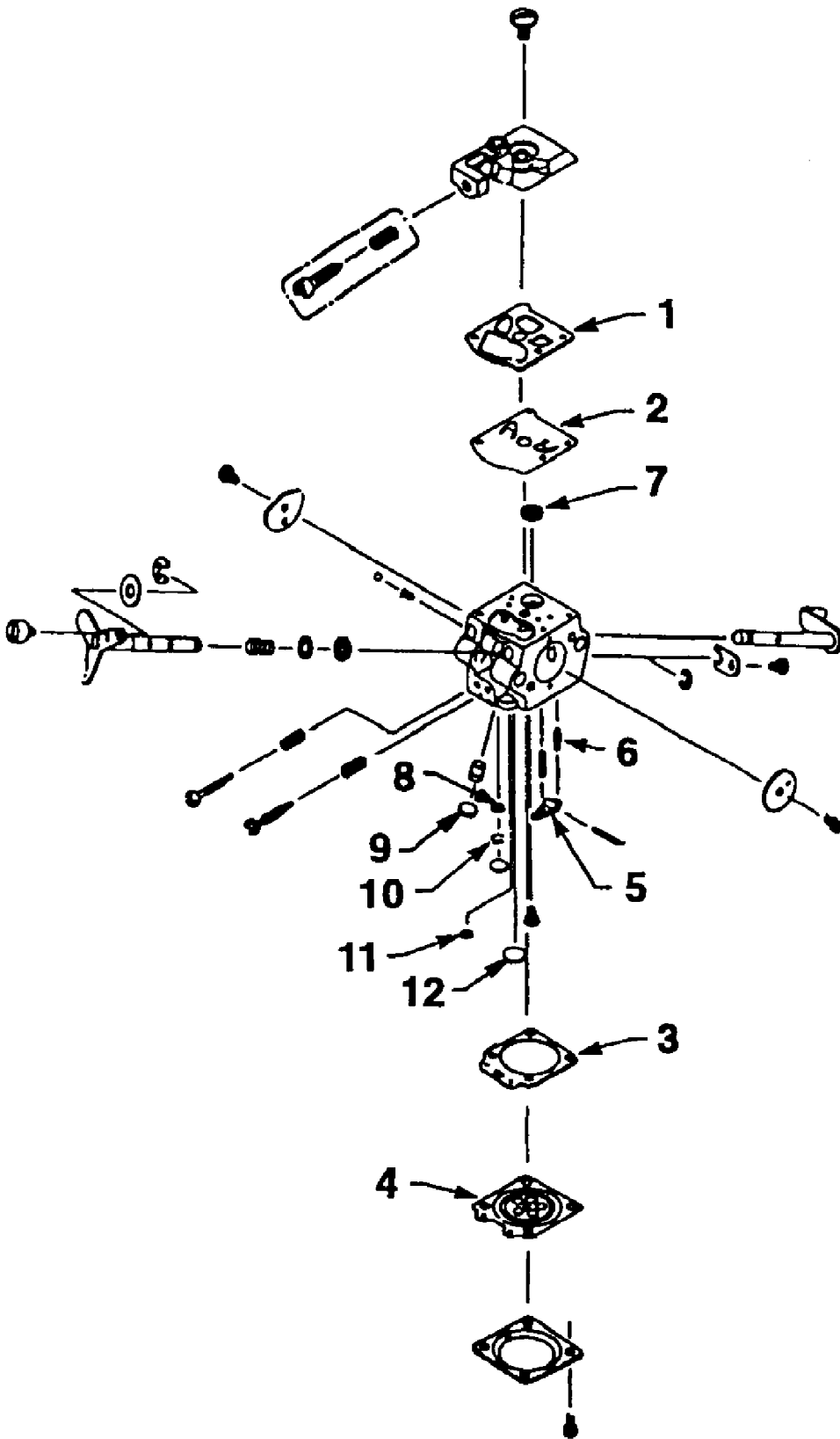
Ref #	Part Number	Qty	S/P/F	Description
1	A94051C	1	S	MUFFLER-Complete
2	93991A	1	S	SCREEN-Spark Arrestor
3	93460	1	/P	SCREW-Sems (10-24 X 1 7/8")
4	00167	2	/P	SCREW-Thd. Form. (#8 X 1.65)
5	69141	1	S	FILTER-Air
6	69148	1		CUP-Filter
7	A02138A	1	/P	CARBURETOR (Walbro WTA-20A)
8	02488	1	S	GASKET-Carburetor
9	82537	2	/P	SCREW-Plastite (#10 X 7/8")
10	A02153	1	/P	HEAT DAM & REED
11	02453	1	/P	GASKET-Heat Dam
12	82540	2	/P	SCREW-Taptite (8-32 X 1")
13	94711CS	1	/P	MODULE-ignition Includes Ref. #14.
14	A33055	1	/P	TERMINAL
15	96169S	1	S	SPARK PLUG
	79252	1	S	SPARK PLUG (Int'l) (UT-10716-B)
16	81229	2		NUT-(5/16-24)
17	95299	2	/P	WASHER-Thrust
18	A95653C	1	S	SPROCKET & DRUM Includes Ref. #19.
19	70277	1	S	BEARING
20	03961	3		SPRING-Clutch
21	79221	1	/P	SPIDER-Clutch
22	79222A	3		SHOE-Clutch
23	692542	1	/P	PIN-Adjusting
24	A00440	1	/P	SCREW & E RING KIT
25	A95007	1	S	ROTOR & STARTER PAWLS Includes Ref. #26.
26	A70285E	1	/P	STARTER PAWL KIT
27	84065	1	S	WASHER-(5/16")
28	A02484	1		LEAD-Ring Term.
29	A02482	1	S	LEAD-Double Flag
30	A00132	1		SHORT BLOCK
31	7031009	1	S	TUBING- Rubber (2 1/4")



LX30 Bandit Chain Saw UT-10716-A
Starter, Housing And Tanks

Page 6 of 8

Ref #	Part Number	Qty	S/P/F	Description
1	810652	1	S	NUT-Guide Bar
2	69309A	1	/P	WASHER-Flat
3	69360A	1		PLATE-Guide Bar
4	82538	4	/P	SCREW-Pan Hd. (10-24 X 3/4")
5	02497	1	S/P	SWITCH-Rocker
6	A01293	1	S	HOUSING-Engine
7	82312	1	/P	SCREW-Pan Hd. (#10 X 5/8")
8	69872A	1		COVER-Handle
9	69874C	1	S	TRIGGER
10	00138	1		ROD-Throttle
11	A70796C	1	S	HANDGUARD
12	95714	1	S	SCREW-Shoulder (#10 X .560)
13	95694	1		WASHER-Curved Spring
14	96102	1		WASHER-Flat
15	02661	1		DECAL-Handguard
16	69263	1		COVER-Air Filter
17	82563	5	/P	SCREW-Thd. Form. (10-24 X 3/4")
18	94062	1	/P	WASHER-Retaining
19	97768A	1		PULLEY-Starter
20	9789901	1	/P	ROPE-Starter
21	A97908	1	/P	SPRING-Rewind
22	A015731	1		HOUSING-Rewind Starter w/Decals
23	02264	1	S	GRIP-Starter
24	94508A	1		HANDLE BAR
25	94065	2		SCREW-Pan Hd. (10-26 X 3/4")
26	A00174	1		FUEL TANK
27	7031028	1	S	TUBING-Rubber (7")
28	49422	1	S	FILTER-Fuel
29	98819	1	/P	VALVE-Duck Bill
30	A97359A	2	S	FUEL CAP
31	A027632	1	S	OIL TANK
32	9477232	1	S	TUBING-Rubber (8")
33	98819	1	/P	VALVE-Duck Bill
34	69659B	1		CONNECTOR-Oil Line
35	7031009	1	S	TUBING-Rubber (2 1/2")
36	A68593	1		FILTER-Oil
37	A02094	1	S	OIL VALVE
38	9477217	1		TUBING-Rubber (4 1/4")
39	82348A	1	/P	SCREW-Thd. Form. Pan, #8
40	83004	1	S	WASHER-Lock (#6)



LX30 Bandit Chain Saw UT-10716-A
Walbro Carburetor (WTA-20A)

Ref #	Part Number	Qty	S/P/F	Description
1	A02197	1		REPAIR KIT Includes Ref. #1-12.
	A02588	1		GASKET/DIAPHRAGM KIT Includes Ref. #1-4.
2	A02197	1		REPAIR KIT Includes Ref. #1-12.
	A02588	1		GASKET/DIAPHRAGM KIT Includes Ref. #1-4.
3	A02197	1		REPAIR KIT Includes Ref. #1-12.
	A02588	1		GASKET/DIAPHRAGM KIT Includes Ref. #1-4).
4	A02197	1		REPAIR KIT Includes Ref. #1-12.
	A02588	1		GASKET/DIAPHRAGM KIT Includes Ref. #1-4.
5	A02197	1		REPAIR KIT Includes Ref. #1-12.
6	A02197	1		REPAIR KIT Includes Ref. #1-12.
7	A02197	1		REPAIR KIT Includes Ref. #1-12.
8	A02197	1		REPAIR KIT Includes Ref. #1-12.
9	A02197	1		REPAIR KIT Includes Ref. #1-12.
10	A02197	1		REPAIR KIT Includes Ref. #1-12.
11	A02197	1		REPAIR KIT Includes Ref. #1-12.
12	A02197	1		REPAIR KIT Includes Ref. #1-12.